



**Einhell®**

**TH-TS 1525 U**

---

**GB Original operating instructions  
Table Saw**

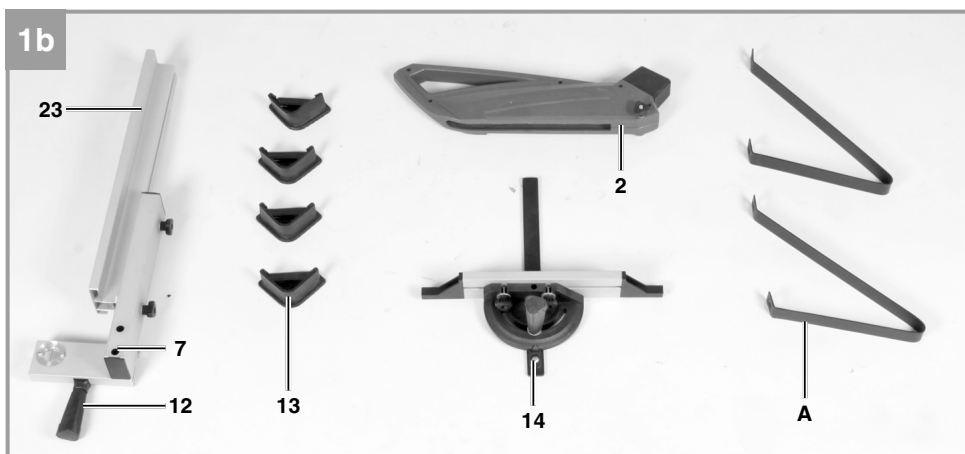
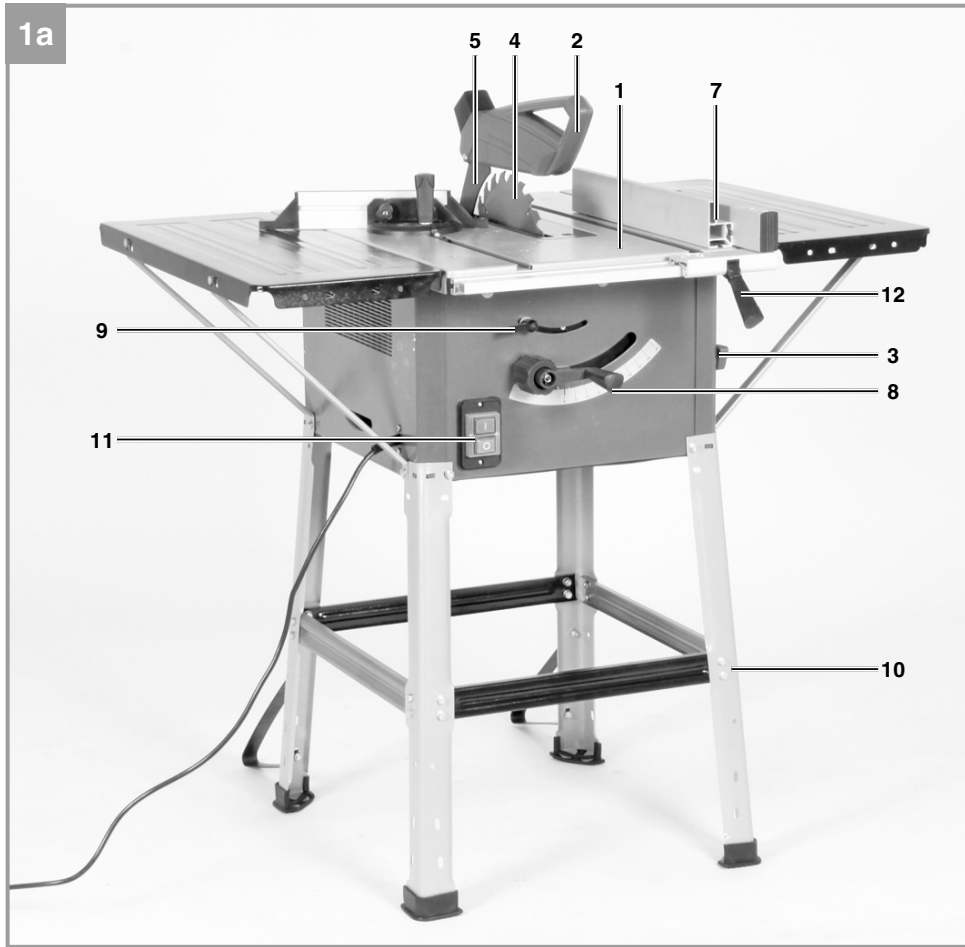
**1**

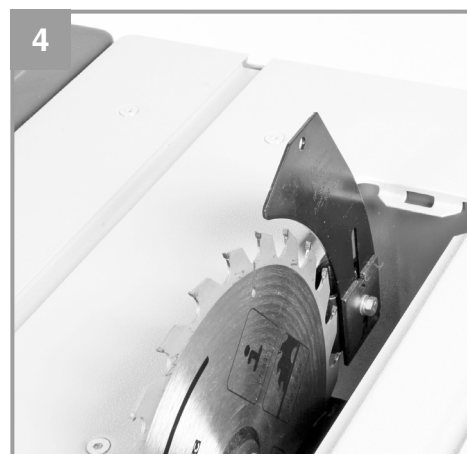
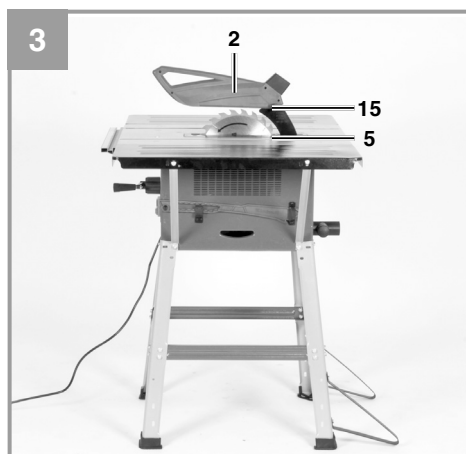
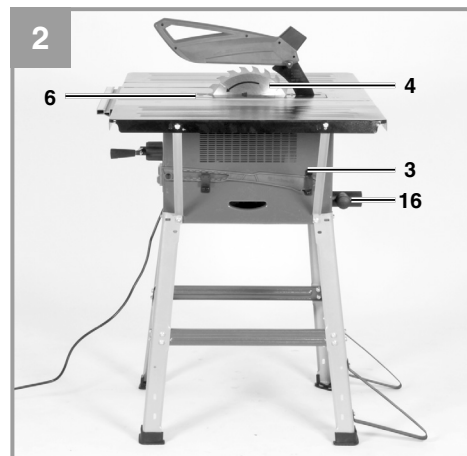
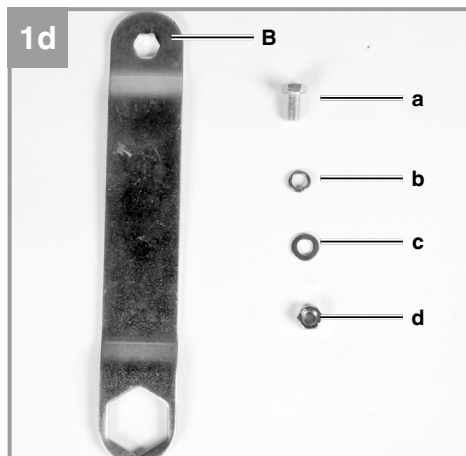
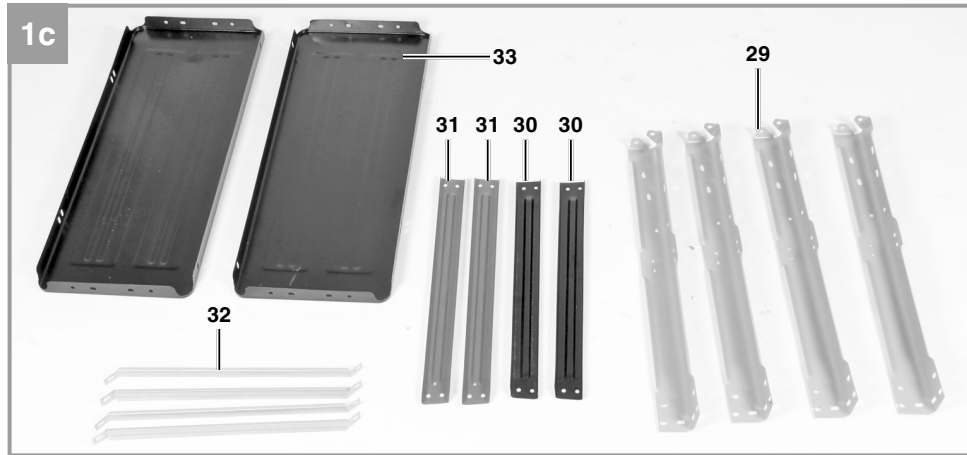


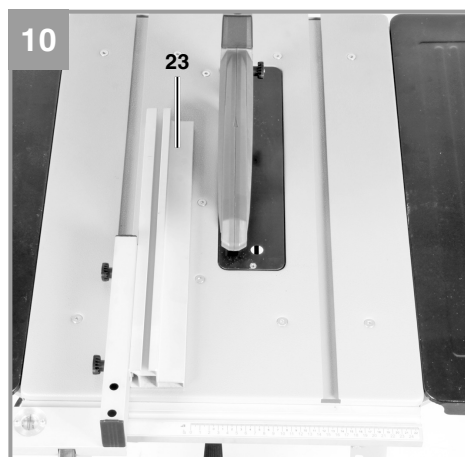
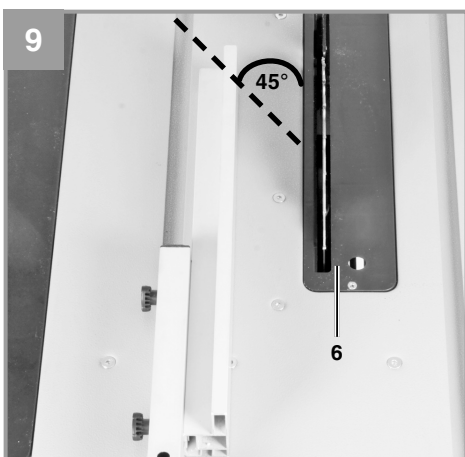
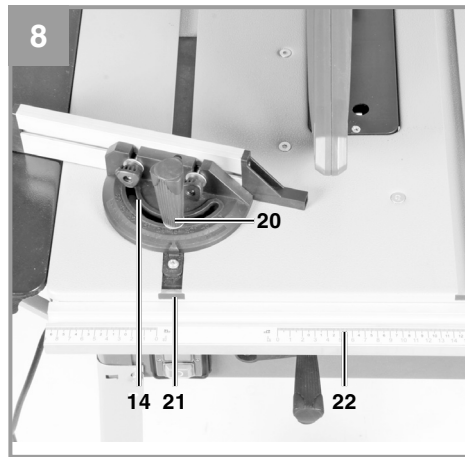
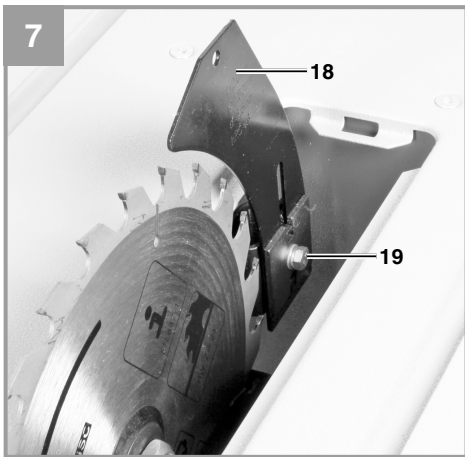
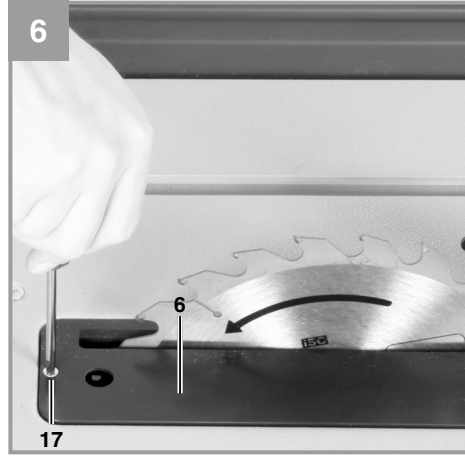
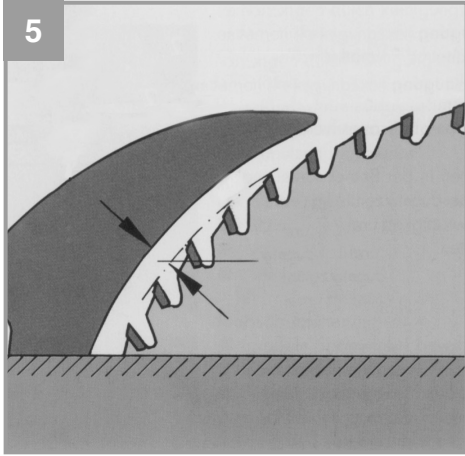
---

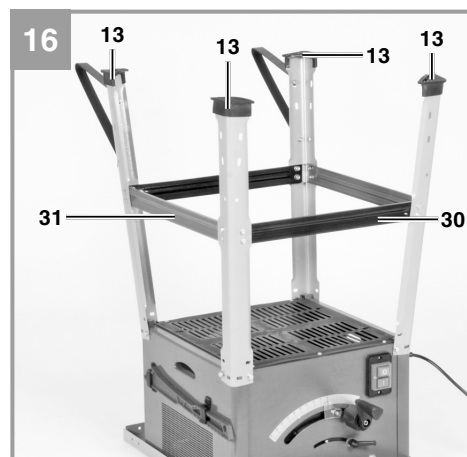
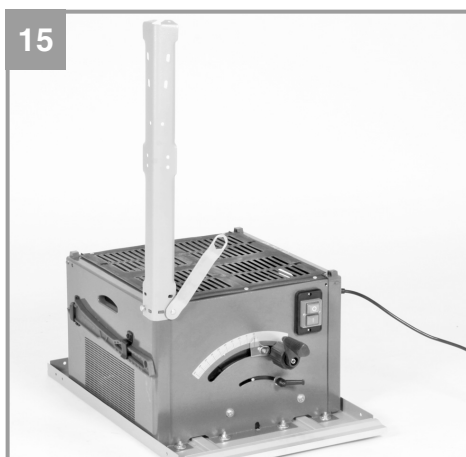
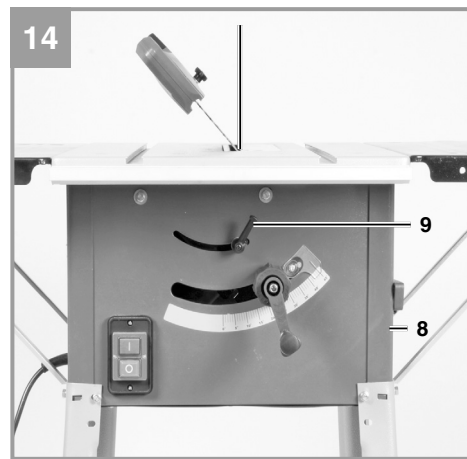
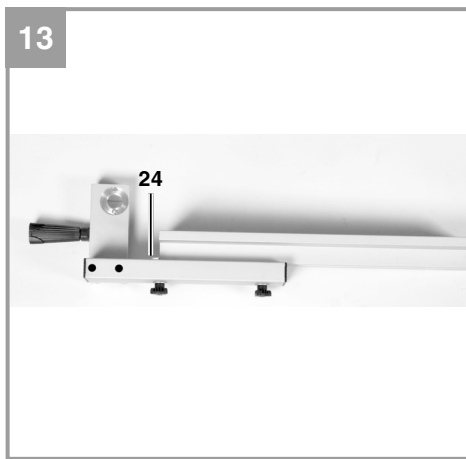
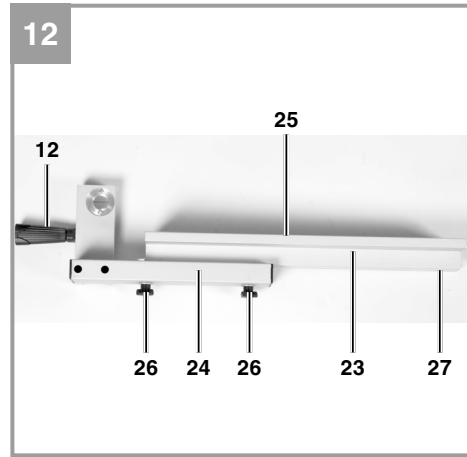
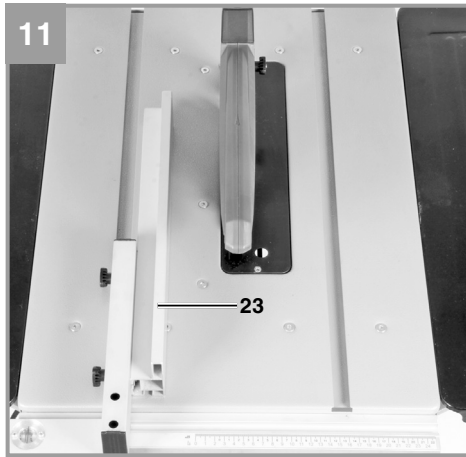
**Art.-Nr.: 43.407.91**

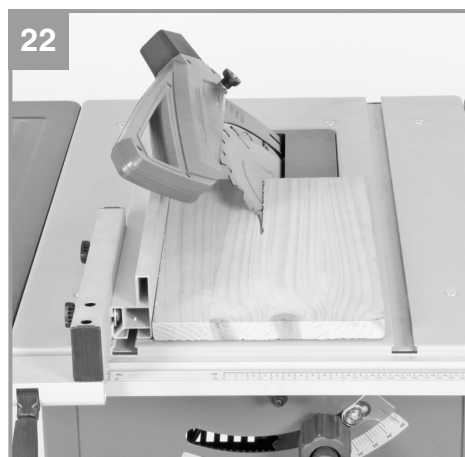
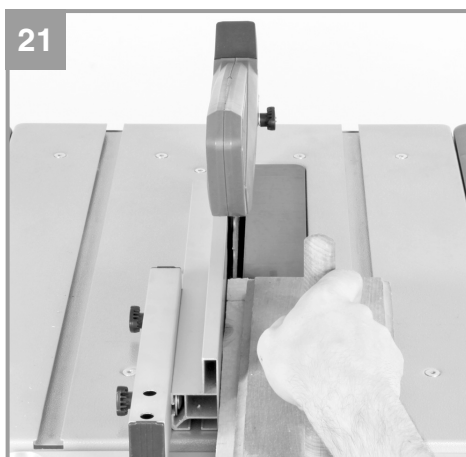
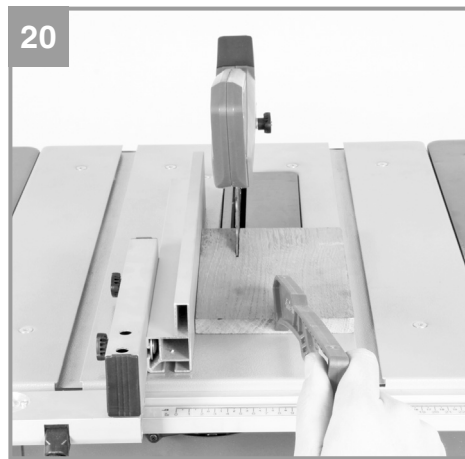
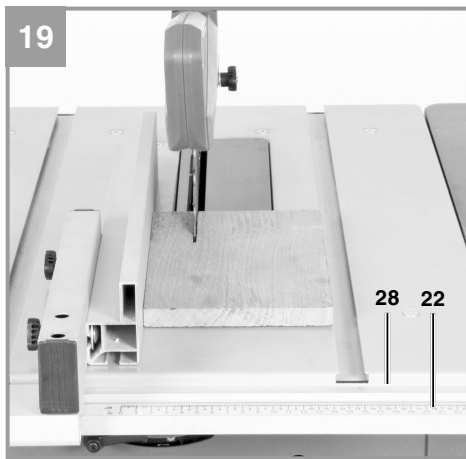
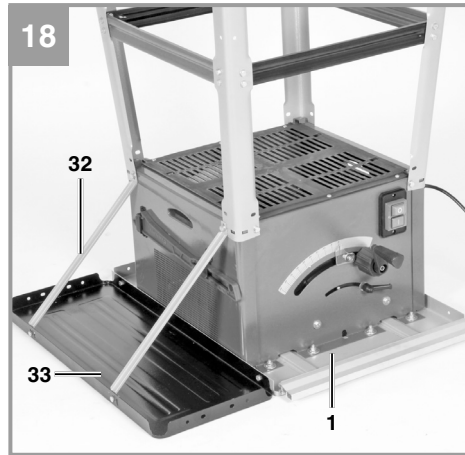
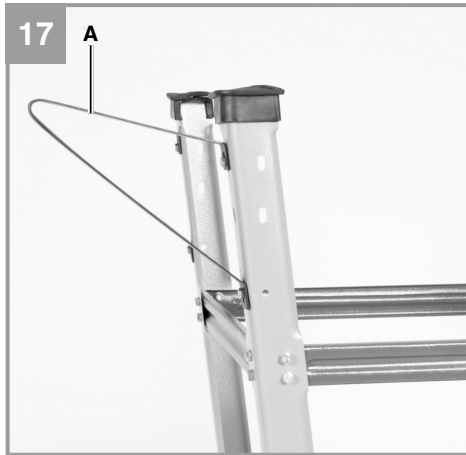
**I.-Nr.: 11013**

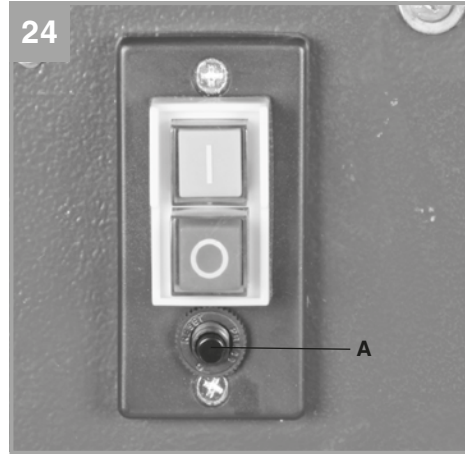














GB

## Table of contents

1. Safety regulations
2. Layout and items supplied
3. Proper use
4. Technical data
5. Before starting the equipment
6. Assembly
7. Using the saw
8. Operation
9. Replacing the power cable
10. Cleaning, maintenance and ordering of spare parts
11. Disposal and recycling
12. Storage





GB



**Caution** - Read the operating instructions to reduce the risk of injury



**Wear ear-muffs.** The impact of noise can cause damage to hearing.



**Wear a breathing mask.** Dust which is injurious to health can be generated when working on wood and other materials. Never use the device to work on any materials containing asbestos!



**Wear safety goggles.** Sparks generated during working or splinters, chips and dust emitted by the device can cause loss of sight.



**Caution! Risk of injury!** Do not reach into the running saw blade.



GB

### **⚠ Important!**

When using the equipment, a few safety precautions must be observed to avoid injuries and damage. Please read the complete operating instructions and safety regulations with due care. Keep this manual in a safe place, so that the information is available at all times. If you give the equipment to any other person, hand over these operating instructions and safety regulations as well. We cannot accept any liability for damage or accidents which arise due to a failure to follow these instructions and the safety instructions.

## **1. Safety regulations**

The corresponding safety information can be found in the enclosed booklet.

### **⚠ Caution!**

#### **Read all safety regulations and instructions.**

Any errors made in following the safety regulations and instructions may result in an electric shock, fire and/or serious injury.

#### **Keep all safety regulations and instructions in a safe place for future use.**

## **2. Layout and items supplied**

### **2.1 Layout (Fig. 1/2)**

1. Sawing table
2. Saw blade guard
3. Push stick
4. Saw blade
5. Splitter
6. Table insert
7. Parallel stop
8. Hand wheel
9. Adjusting and locking grip
10. Base frame
11. On/Off switch
12. Eccentric lever
13. Rubber foot
14. Cross stop
15. Screw
16. Extractor adapter
17. Countersunk head screw
18. Hole (splitter)
19. Fastening screw
20. Screw
21. Groove
22. Scale
23. Stop rail
24. Holder

25. Slot
  26. Screw
  27. Slot
  28. Guide rail
  29. Leg
  30. Cross strut
  31. Longitudinal strut
  32. Supports
  33. Table width extension
- A. Additional leg  
B. Wrench  
a. Hex screw  
b. Spring washer  
c. Washer  
d. Nut

### **2.2 Items supplied**

Please check that the article is complete as specified in the scope of delivery. If parts are missing, please contact our service center or the nearest branch of the DIY store where you made your purchase at the latest within 5 work days after purchasing the article and upon presentation of a valid bill of purchase. Also, refer to the warranty table in the warranty provisions at the end of the operating instructions.

- Open the packaging and take out the equipment with care.
- Remove the packaging material and any packaging and/or transportation braces (if available).
- Check to see if all items are supplied.
- Inspect the equipment and accessories for transport damage.
- If possible, please keep the packaging until the end of the guarantee period.

### **Important!**

**The equipment and packaging material are not toys. Do not let children play with plastic bags, foils or small parts. There is a danger of swallowing or suffocating!**

- Saw blade guard
- Push stick
- Parallel stop
- Rubber foot (4x)
- Cross stop
- Stop rail
- Leg (4x)
- Cross strut (2x)
- Longitudinal strut (2x)
- Support (4x)
- Table width extension (2x)



- Wrench
- Installation material

### 3. Proper use

The bench-type circular saw is designed for the slitting and cross-cutting (only with the cross stop) of all types of timber commensurate with the machine's size. The equipment is not to be used for cutting any type of round wood.

The equipment is to be used only for its prescribed purpose. Any other use is deemed to be a case of misuse. The user / operator and not the manufacturer will be liable for any damage or injuries of any kind caused as a result of this.

Please note that our equipment has not been designed for use in commercial, trade or industrial applications. Our warranty will be voided if the machine is used in commercial, trade or industrial businesses or for equivalent purposes.

The equipment is to be operated only with suitable saw blades (saw blades made of HM or CV) It is prohibited to use any type of HSS saw blade and cutting-off wheel.

To use the equipment properly you must also observe the safety information, the assembly instructions and the operating instructions to be found in this manual.

All persons who use and service the equipment have to be acquainted with these operating instructions and must be informed about the equipment's potential hazards. It is also imperative to observe the accident prevention regulations in force in your area. The same applies for the general rules of health and safety at work.

The manufacturer will not be liable for any changes made to the equipment nor for any damage resulting from such changes. Even when the equipment is used as prescribed it is still impossible to eliminate certain residual risk factors. The following hazards may arise in connection with the machine's construction and design:

- Contact with the saw blade in the uncovered saw zone.
- Reaching into the running saw blade (cut injuries).
- Kick-back of workpieces and parts of workpieces.
- Saw blade fracturing.

- Catapulting of faulty carbide tips from the saw blade.
- Damage to hearing if essential ear-muffs are not used.
- Harmful emissions of wood dust when used in closed rooms.

### 4. Technical data

AC motor .....	230V ~ 50Hz
Power P .....	S1 1200 W S6 40% 1500 W
Idle speed $n_0$ .....	5700 min <sup>-1</sup>
Cutting-off wheel .....	Ø 250 x Ø 30 x Ø 2.4 mm
Number of teeth .....	24
Table size .....	640 x 446 mm
Table width extension, left/right .....	640 x 250 mm
Cutting height max. ....	75 mm / 90°
.....	48 mm / 45°
Height adjustment .....	infinite 0 -75 mm
Tilting saw blade .....	infinite 0° - 45°
Extractor socket .....	Ø 36 mm
Weight.....	approx. 25 kg

Betriebsart S6 40%: Durchlaufbetrieb mit Aussetz-belastung (Spieldauer 10 min). Um den Motor nicht unzulässig zu erwärmen darf der Motor 40% der Spieldauer mit der angegebenen Nennleistung be-trieben werden und muss anschlie-Bend 60% der Spieldauer ohne Last weiterlaufen.

#### Sound and vibration

Sound and vibration values were measured in accordance with EN 61029.

#### Operation

$L_{pA}$ sound pressure level .....	99,2 dB(A)
$K_{pA}$ uncertainty .....	3 dB
$L_{WA}$ sound power level .....	111,1 dB(A)
$K_{WA}$ uncertainty .....	3 dB

#### Idle speed

$L_{pA}$ sound pressure level .....	87,3 dB(A)
$K_{pA}$ uncertainty .....	3 dB
$L_{WA}$ sound power level .....	99,5 dB(A)
$K_{WA}$ uncertainty .....	3 dB

The quoted values are emission values and not necessarily reliable workplace values. Although there is a correlation between emission and im-mission levels it is impossible to draw any certain



conclusions as to the need for additional precautions. Factors with a potential influence on the actual immission level at the workplace include the duration of impact, the type of room, and other sources of noise etc., e.g. the number of machines and other neighboring operations. Reliable workplace values may also vary from country to country. With this information the user should at least be able to make a better assessment of the dangers and risks involved.

#### **Wear ear-muffs.**

The impact of noise can cause damage to hearing.

#### **Keep the noise emissions and vibrations to a minimum.**

- Only use appliances which are in perfect working order.
- Service and clean the appliance regularly.
- Adapt your working style to suit the appliance.
- Do not overload the appliance.
- Have the appliance serviced whenever necessary.
- Switch the appliance off when it is not in use.

#### **Residual risks**

**Even if you use this electric power tool in accordance with instructions, certain residual risks cannot be ruled out. The following hazards may arise in connection with the equipment's construction and layout:**

1. Lung damage if no suitable protective dust mask is used.
2. Damage to hearing if no suitable ear protection is used.

## **5. Before starting the equipment**

Before you connect the equipment to the mains supply make sure that the data on the rating plate are identical to the mains data.

**Always pull the power plug before making adjustments to the equipment.**

- Unpack the bench-type circular saw and check it for damage which may have occurred in transit.
- The machine has to be set up where it can stand firmly, e.g. on a work bench, or it must be bolted to a strong base.
- All covers and safety devices have to be properly fitted before the machine is switched on.

- It must be possible for the saw blade to run freely.
- When working with wood that has been processed before, watch out for foreign bodies such as nails or screws etc.
- Before you actuate the On/Off switch, make sure that the saw blade is correctly fitted and that the machine's moving parts run smoothly.

## **6. Assembly**

**Important! Pull out the power plug before carrying out any maintenance, resetting or assembly work on the cutting-off machine!**

### **6.1 Assembling the base frame (Fig. 15/16/17)**

- Turn the saw upside down and place it on the floor.
- Use the washers (c) and the hex screws (a) to fasten the 4 legs (29) loosely to the saw.
- Now use the hex screws (a), the washers (c) and the nuts (d) to fasten the longitudinal-struts (31) and the cross-struts (30) loosely to the legs. Please note: The longer struts have to be used on the sides.
- Finally, tighten all screws and nuts on the base frame.
- Screw the additional legs (A) to the rear legs (29) so that they point towards the rear of the machine (Fig. 17).
- Plug the rubber feet (13) onto the legs (29).

### **6.2 Fitting / removing the saw blade guard (Fig. 3)**

- Mount the saw blade guard (2) on the splitter (5) so that the screw fits through the hole (18) in the splitter.
- Do not tighten the screw (15) too far – the blade guard must be able to move freely.
- To remove the saw blade guard, proceed in reverse order.

#### **Important!**

**The guard hood (2) must always be lowered over the workpiece before you begin to cut.**

### **6.3. Setting the splitter (Fig. 3/5/6/7)**

- Important! Pull out the power plug.
- Set the blade (4) to max. cutting depth, move to 0° position and lock in place.
- Remove the saw blade guard (see 6.2).
- Take out the table insert (6) (see 6.4).
- Slacken the fixing screw (19).



### 6.3.1. Setting for maximum cuts (Fig. 5/6/7)

- Push up the splitter (5) until the gap between the saw table (1) and the upper edge of the splitter (5) equals approx. 10 cm.
- The distance between the blade (4) and the splitter (5) should be 3-5 mm.
- Retighten the screw (19) and mount the table insert (6) (Fig. 6).

### 6.4 Changing the table insert (Figure 6)

- To prevent increased likelihood of injury the table insert should be changed whenever it is worn or damaged.
- Remove the saw blade guard (2).
- Remove the 1 countersunk head screws (17).
- Take out the worn table insert (6).
- To fit the replacement table insert, proceed in reverse order.

### 6.5 Fitting/replacing the blade (Fig. 4)

- Important! Pull out the power plug first.
- Remove the table insert by undoing the two countersunk head screws (see 6.4).
- Undo the nut with a size 24 wrench on the nut itself and a second fork wrench (size 13) on the motor shaft to apply counter-pressure.
- Important! Turn the nut in the direction of rotation of the saw blade.
- Take off the outer flange and pull the old saw blade off the inner flange by dropping the blade at an angle.
- Clean the blade flange thoroughly before fitting the new blade.
- Mount and fasten the new saw blade in reverse order.
- Important! Note the running direction. The cutting angle of the teeth must point in running direction, i.e. forwards (see the arrow on the blade guard).
- Refit and set the splitter (5) and the saw guard (2) (see 6.2., 6.3.)
- Check to make sure that all safety devices are properly mounted and in good working condition before you begin working with the saw again.

### 6.6 Assembling the table width extension (Fig. 18)

- Use the screws (a), nuts (d) and washers (c) to fasten the table width extensions (33) loosely to the saw table (1).
- Screw the supports (32) loosely onto the saw housing and onto the table width extensions (33).
- Align the table width extensions (33) level with the saw table.
- Finally, tighten all screws (a).

## 7. Using the saw

### 7.1. ON/OFF switch (Fig. 1)

- To turn the saw on, press the green button "I". Wait for the blade to reach its maximum speed of rotation before commencing with the cut.
- To turn the machine off again, press the red button "0".

### 7.2. Cutting depth (Fig. 1)

Turn the hand crank (8) to set the blade (4) to the required cutting depth.

**Turn anti-clockwise:**  
larger cutting depth

**Turn clockwise:**  
smaller cutting depth

### 7.3. Parallel stop

#### 7.3.1. Stop height (Fig. 9-13)

- The parallel stop (7) supplied with the bench-type circular saw has two different guide faces.
- For thick material you must use the stop rail (23) as shown in Fig. 11, for thin material you must use the stop rail as shown in Fig.10.
- To change over the stop rail (23) to the lower guide face you have to slacken the two knurled screws (26) in order to disconnect the stop rail (23) from the holder (24).
- Remove the two knurled screws (26) through the one slot (27) in the stop rail (23) and insert in the other slot (25).
- Remount the stop rail (23) on the holder (24).
- The procedure for changing over to the high guide face is similar.



### 7.3.2. Cutting width:

- The parallel stop (7) has to be used when making longitudinal cuts in wooden workpieces.
- The parallel stop (7) can be mounted on either side of the saw table (1).
- The parallel stop (7) has to be mounted in the guide rail (28) of the saw table (1).
- The parallel stop (7) can be set to the required dimension with the help of the scale (22) on the guide rail (1).
- You can clamp the parallel stop in the required position by pressing the eccentric lever (12).

### 7.3.3. Setting the stop length (Fig. 9)

- The stop rail (23) can be moved in longitudinal direction in order to prevent the workpiece from becoming jammed.
- Rule of thumb: The rear end of the stop comes up against an imaginary line that begins roughly at the center of the blade and runs at an angle of 45° to the rear.
- Set the required cutting width
  - Slacken the knurled screws (26) and push the stop rail (23) forward until it touches the imaginary 45° line.
  - Retighten the knurled screws (26).

### 7.4. Cross stop (Figure 8)

- Slide the cross stop (14) into the groove (21) of the table.
- Slacken the knurled screw (20).
- Turn the cross stop (14) until the arrow points to the angle required.
- Retighten the knurled screw (20).

### Important!

- Do not push the stop rail (23) too far toward the blade.
- The distance between the stop rail (23) and the blade (4) should be approx. 2 cm.

### 7.5. Setting the angle (Fig. 14)

- Undo the fixing handle (9).
- Turn the handle to set the desired angle on the scale.
- Lock the fixing handle again in the required angle position.

## 8. Operation

### Important!!

- After every new adjustment we recommend you to make a trial cut in order to check the new settings.
- After switching on the saw, wait for the blade to reach its maximum speed of rotation before commencing with the cut.
- Take extra care when starting the cut!
- Never use the equipment without the suction function.
- Regularly check and clean the suction channels.
- The cap on the blade guard can be removed in order to be able to connect a suction hose to the blade guard.
- A suction adapter set for connecting a vacuum extraction system to the blade guard and to the suction adapter is available as an accessory.

### 8.1.1 Making longitudinal cuts (Figure 19)

Longitudinal cutting (also known as slitting) is when you use the saw to cut along the grain of the wood. Press one edge of the workpiece against the parallel stop (7) while the flat side lies on the saw table (1). The guard hood (2) must always be lowered over the workpiece.

When you make a longitudinal cut, never adopt a working position that is in line with the cutting direction.

- Set the parallel stop (7) in accordance with the workpiece height and the desired width. (See 7.3.)
- Switch on the saw.
- Place your hands (with fingers closed) flat on the workpiece and push the workpiece along the parallel stop (7) and into the blade (4).
- Guide at the side with your left or right hand (depending on the position of the parallel stop) only as far as the front edge of the guard hood.
- Always push the workpiece through to the end of the splitter (5).
- The offcut piece remains on the saw table (1) until the blade (4) is back in its position of rest.
- Secure long workpieces against falling off at the end of the cut (e.g. with a roller stand etc.).



### 8.1.2. Cutting narrow workpieces (Fig. 20)

Be sure to use a push stick (3) when making longitudinal cuts in workpieces smaller than 120 mm in width. A push block is supplied with the saw! Replace a worn or damaged push stick immediately.

### 8.1.3. Cutting extremely narrow workpieces (Fig. 21)

- Be sure to use a push block when making longitudinal cuts in very narrow workpieces with a width of 30 mm and less.
- The low guide face of the parallel stop is best used in this case.
- There is no push block supplied with the saw! (Available from your specialist dealer). Replace the push block without delay when it becomes worn.

### 8.1.4. Making bevel cuts (Fig. 14/22)

Bevel cuts must always be used using the parallel stop (7).

- Set the blade (4) to the desired angle. (See 7.5.)
- Set the parallel stop (7) in accordance with the workpiece width and height (see 7.3.1)
- Carry out the cut in accordance with the workpiece width (see 8.1.1., 8.1.2 and 8.1.3.)

### 8.1.5. Making cross cuts (Fig. 23)

- Slide the cross stop (21) into one of the grooves (21) in the table and adjust to the required angle. (See 7.4.) If you also want to tilt the blade (4), use the groove (21) which prevents your hand and the cross stop from making contact with the blade guard.
- Press the workpiece firmly against the cross stop (14).
- Switch on the saw.
- Push the cross stop (14) and the workpiece toward the blade in order to make the cut.
- Important:  
Always hold the guided part of the workpiece. Never hold the part which is to be cut off.
- Push the cross stop (14) forward until the workpiece is cut all the way through.
- Switch off the saw again. Do not remove the offcut until the blade has stopped rotating.

### 8.1.6. Overload cut-out (Fig. 24)

The motor of this appliance is protected against overload by an overload switch (A). If the rated current is exceeded, the overload switch (A) switches the appliance off. After a short cooling-off phase, the appliance can

be switched back on by pressing the overload switch (A).

## 9. Replacing the power cable

If the power cable for this equipment is damaged, it must be replaced by the manufacturer or its after-sales service or similarly trained personnel to avoid danger.

## 10. Cleaning, maintenance and ordering of spare parts

Always pull out the mains power plug before starting any cleaning work.

### 10.1 Cleaning

- Keep all safety devices, air vents and the motor housing free of dirt and dust as far as possible. Wipe the equipment with a clean cloth or blow it with compressed air at low pressure.
- We recommend that you clean the device immediately each time you have finished using it.
- Clean the equipment regularly with a moist cloth and some soft soap. Do not use cleaning agents or solvents; these could attack the plastic parts of the equipment. Ensure that no water can seep into the device. The ingress of water into an electric tool increases the risk of an electric shock.

### 10.2 Carbon brushes

In case of excessive sparking, have the carbon brushes checked only by a qualified electrician. Important! The carbon brushes should not be replaced by anyone but a qualified electrician.

### 10.3 Maintenance

There are no parts inside the equipment which require additional maintenance.

### 10.4 Ordering replacement parts:

Please quote the following data when ordering replacement parts:

- Type of machine
- Article number of the machine
- Identification number of the machine
- Replacement part number of the part required

For our latest prices and information please go to [www.einhell.com.au](http://www.einhell.com.au)



GB

## 11. Disposal and recycling

The equipment is supplied in packaging to prevent it from being damaged in transit. The raw materials in this packaging can be reused or recycled. The equipment and its accessories are made of various types of material, such as metal and plastic. Never place defective equipment in your household refuse. The equipment should be taken to a suitable collection center for proper disposal. If you do not know the whereabouts of such a collection point, you should ask in your local council offices.

## 12. Storage

Store the equipment and accessories out of children's reach in a dark and dry place at above freezing temperature. The ideal storage temperature is between 5 and 30 °C. Store the electric tool in its original packaging.



## Warranty provisions

Einhell Australia or the store where you made your purchase guarantees the repair of defects or replacement of the equipment in accordance with the overview below. Statutory guarantee claims are unaffected.

Category	Example	Warranty
Defect with regard to material or construction		24 months
Wear parts*	V-belt, carbon brushes, table insert, push stick	6 months
Consumables*	Saw blade	Warranty only in case of an immediate defect (24 hours after purchase / date on the bill)
Missing parts		5 work days

\* Not necessarily included in the scope of delivery!

For consumables, wear parts and missing parts Einhell Australia guarantees the correction of defects or a new delivery only if the defect is reported within 24 hours (consumables), 5 work days (missing parts) or 6 months (wear parts) after purchase and the purchase date is verified with the bill.

In case of defects concerning the material or construction, we kindly request you to submit the equipment together with the fully completed warranty card supplied with the equipment. It is important that you enter an exact description of the defect.

To do so, answer the following questions:

- Did the equipment work at all or was it defective from the beginning?
- Did you notice anything (symptom or defect) prior to the failure?
- What malfunction does the equipment have in your opinion (main symptom)?  
Describe this malfunction.



GB

The guarantee provided in this Guarantee Certificate is given by Einhell Australia Pty Limited  
ACN 134 632 858 of 6/166 Wellington Street, Collingwood, Victoria (Telephone number 1300 922 271)  
(Einhell Express Guarantee).

## **GB** GUARANTEE CERTIFICATE

Dear Customer,

All of our products undergo strict quality checks. In the unlikely event that your device develops a fault, please contact our service department at the address shown on this guarantee certificate. Of course, if you would prefer to call us then we are also happy to offer our assistance under the service number printed below. Please note the following terms under which claims under the Einhell Express Guarantee can be made:

1. The benefits conferred by the Einhell Express Guarantee are in addition to all rights and remedies which you may be entitled to under the Australian Consumer Law, and any other statutory rights you may have under other applicable laws. This Einhell Express Guarantee does not exclude, restrict or modify any such rights or remedies.  
We do not charge you for the Einhell Express Guarantee.
2. Our goods come with guarantees that cannot be excluded under the Australian Consumer Law. You are entitled to a replacement or refund for a major failure and for compensation for any other reasonably foreseeable loss or damage. You are also entitled to have the goods repaired or replaced if the goods fail to be of acceptable quality and the failure does not amount to a major failure.
3. The Einhell Express Guarantee only covers problems caused by material or manufacturing defects, and our liability under the Einhell Express Guarantee is limited, at our discretion, to the rectification of these defects or replacement of the product. Please note that the product has not been designed for use in commercial, trade or industrial applications. Consequently, the Einhell Express Guarantee will not apply if the product is used in commercial, trade or industrial applications or for other equivalent activities.
4. The following are also excluded from the Einhell Express Guarantee: compensation for transport damage, damage caused by failure to comply with the installation/assembly instructions or damage caused by unprofessional installation, failure to comply with the operating instructions (e.g. connection to the wrong mains voltage or current type), misuse or inappropriate use (such as overloading of the product or use of non-approved tools or accessories), failure to comply with the maintenance and safety regulations, ingress of foreign bodies into the product (e.g. sand, stones or dust), effects of force or external influences (e.g. damage caused by the product being dropped) and normal wear resulting from proper operation of the product. The Einhell Express Guarantee will also not apply if any attempt is made to tamper with the product.
5. The Einhell Express Guarantee is valid for a period of 2 years starting from the purchase date of the product. Claims made under the Einhell Express Guarantee should be submitted before the end of this guarantee period and within two weeks of the defect being noticed. No claims under the Einhell Express Guarantee will be accepted if submitted after the end of this guarantee period. The original guarantee period remains applicable to the device even if repairs are carried out or parts are replaced. In such cases, the work performed or parts fitted will not result in an extension of the guarantee period for the Einhell Express Guarantee, and the Einhell Express Guarantee will not apply for the work performed or parts fitted. This also applies when an on-site service is used.
6. To make a claim under the Einhell Express Guarantee, please send the relevant product postage-free to the address shown below and enclose either the original or a copy of your sales receipt or another dated proof of purchase. It would help us if you could describe the nature of the problem in as much detail as possible. If the defect is covered by the Einhell Express Guarantee, your product will be repaired immediately and returned to you, or we will send you a new device (at our election).

Any costs incurred by you in making a claim under this Einhell Express Guarantee, unless specified otherwise in this guarantee certificate, must be borne by you.

Of course, we are also happy to offer a chargeable repair service for any defects which are not covered by the scope of the Einhell Express Guarantee or for products which are no longer covered by the Einhell Express Guarantee. To take advantage of this service, please send the product to our service address.

EINHELL AUSTRALIA PTY LTD  
6/166 Wellington Street  
Collingwood VIC 3066  
Australia  
Phone: 1300 922 271

