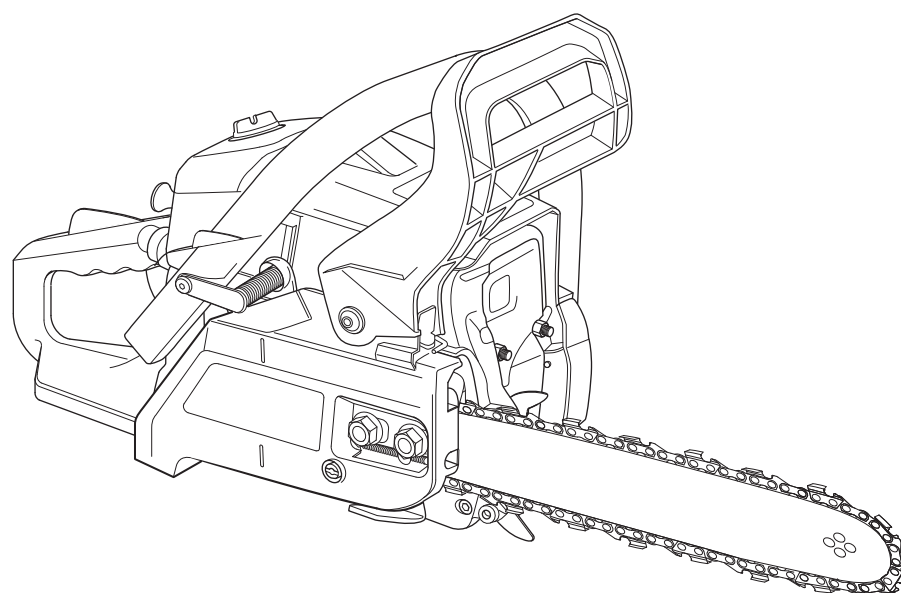


Spear & Jackson 37 cc Petrol Chainsaw Original Operating Instructions

Operation and Maintenance Manual



 **SPEAR & JACKSON**

After Sales Support

UK/Ireland	0151 649 1500
Republic of Ireland	1890 946 244
Web	www.einhell.co.uk

Important - Please read these instructions fully before starting assembly

These instructions contain important information that will help you get the best from your chainsaw, ensuring it is assembled correctly and safely.

If you need help or have damaged or missing parts, call the Customer Helpline on **0151 649 1500**.

Contents

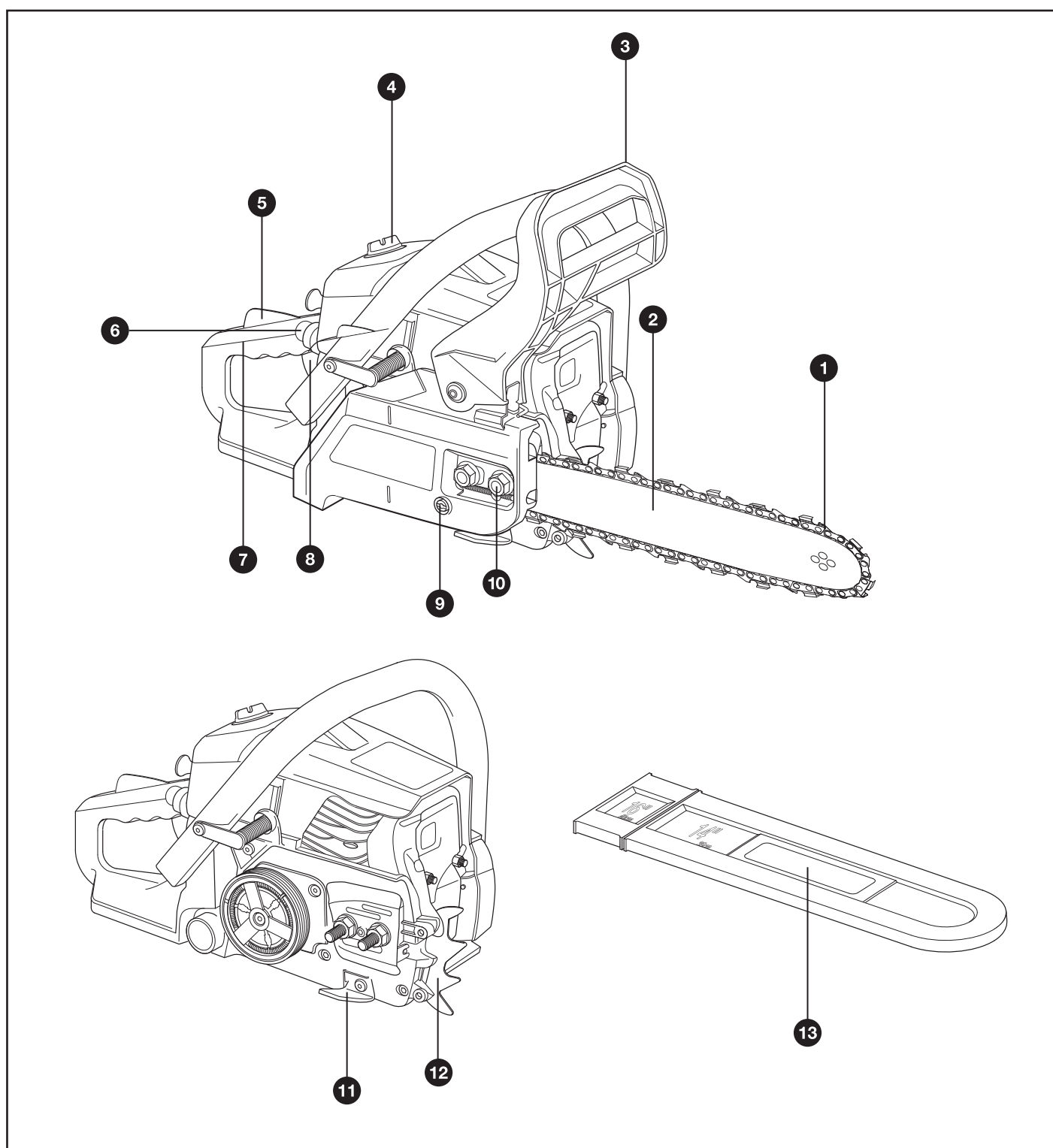
Components List.....	4-5
Safety Information	6
Warnings Symbols	6
Explanation of the Symbols and Warning signs on the machine labels.....	7-8
General Safety	9
Personal Safety.....	9
Operating and Maintenance Safety	10
Handling Safety	11
Proper Use	12-13
Kickback Safety.....	13
Pinching Safety.....	14
Preparing to Operate the Chainsaw	15
Step 1 - Assemble the Chainsaw.....	15
Step 2 - Check the Chain Brake	15-16
Step 3 - Fuel and Lubrication	17-18
Step 4 - Filling the Fuel Tank	19
Step 5 - Filling the Chain Lubrication Oil Tank	20
Operating the Chainsaw	21
Step 1 - Starting the Engine	21-26
Step 2 - Restarting the Chainsaw When Warmed Up.....	27
How to Use the Chainsaw	28
Introduction.....	28
Felling	29-30
Limbing	31
Bucking	32

Contents

Storing the Chainsaw	33
Step 1 - Storing the Chainsaw for Short Periods	33
Step 2 - Storing the Chainsaw for Extended Periods	33-35
Step 3 - Preparing the Chainsaw for Use Following Storage	35
Maintenance.....	36
Maintenance Schedule	36
Step 1 - Operational Chain Brake Test	37
Step 2 - Clean / Replace the Air Filter	38-39
Step 3 - Change / Replace the Fuel Filter	40-42
Step 4 - Clean / Replace the Spark Plug	42-46
Step 5 - Carburettor Settings	47
Step 6 - Lubricating the Sprocket Tips	47-48
Step 7 - Reversing the Guide Bar.....	49
Step 8 - Adjusting the Automatic Chain Lubricator	49
Step 9 - Check the Saw Chain Tension.....	50
Step 10 - Sharpening the Saw Chain	51
Troubleshooting	52
General Troubleshooting.....	51-53
Useful Information	53
Technical Data	54
Technical Data Table	54
Disposal.....	54
Disposal Instructions	54
Guarantee	55
Declaration of Conformity	56

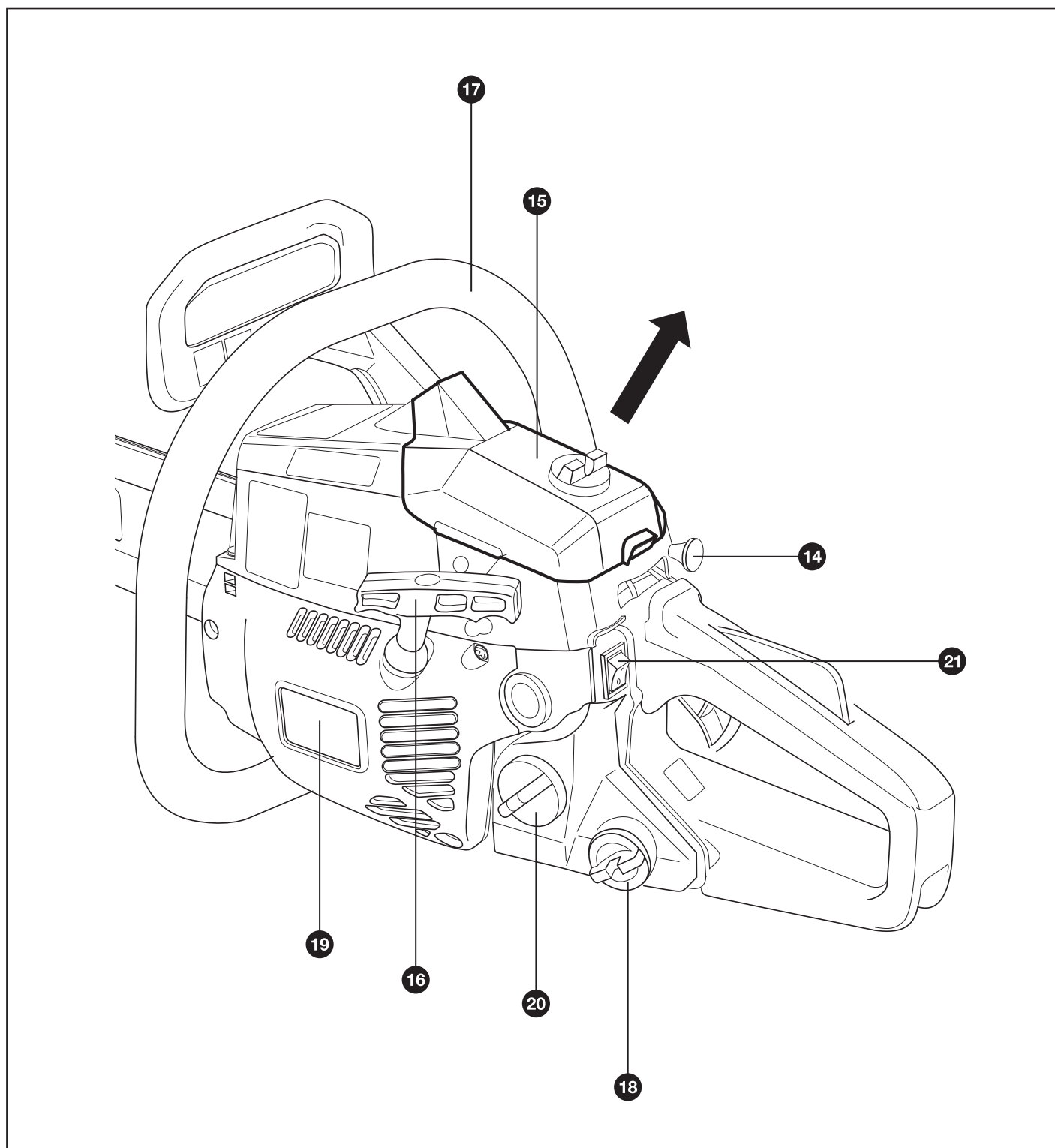
Components List

- | | | | |
|--|--------------------|-----------------------------|----------------------|
| 1 Saw chain | 4 Air filter cover | 7 Rear handle/
bootstrap | 10 Bar fastening nut |
| 2 Chain bar | 5 Safety lock | 8 Throttle lever | 11 Chain catch |
| 3 Chain brake lever/
front hand guard | 6 Primer | 9 Chain tensioning
screw | 12 Stop claw |
| | | | 13 Chain guard |



Components List

- | | | |
|--|-------------------|------------------|
| 14 Choke/
(carburettor setting) | 16 Starter handle | 19 Fan housing |
| 15 Spark plug
(under the air
filter cover) | 17 Front handle | 20 Fuel tank cap |
| | 18 Oil tank cap | 21 Stop switch |





Safety Information

Important - Please read these instructions fully before operating or maintaining

Warnings Symbols

The following warning symbols appear throughout this assembly manual and indicate the appropriate safety measures you should take when assembly and operating the chainsaw.



This symbol indicates there is a danger of serious personal injury or death if you do not observe the warning.



This symbol indicates that there is: -

1. Danger of permanently damaging your hearing if you do not wear ear defenders
2. Danger of permanently damaging your sight if you do not wear suitable goggles or glasses
3. Danger of suffering serious head injuries if you do not wear a suitable helmet



This symbol indicates that there is a danger of damaging your hands if you do not wear thick, hard wearing gloves.



This symbol indicates that there is a danger of damaging your feet if you do not wear protective shoes or boots.



This symbol indicates there is a danger of serious personal injury if you attempt to make adjustments to the chainsaw while it is running.



This symbol indicates there is a risk of explosion if you do not observe the warning.



This symbol indicates there is a risk of igniting flammable liquids if you do not observe the warning.



This symbol indicates there is a danger of serious personal injury if you attempt to grasp or come into contact with a moving saw chain.



This symbol indicates there is a danger of kickback if you fail to observe this warning.



Safety Information

Important - Please read these instructions fully before operating or maintaining

Explanation of the Symbols and Warning signs on the machine

Explanation of the symbols on the warning label on the machine.



Read the user manual before using the machine.



On all jobs performed with the saw you must always wear safety goggles to guard your eyes from flying materials/objects and ear defenders to protect your hearing. Wear a safety helmet if there is a risk of objects falling on you from above.



Important! Wear gloves to protect your hands.



Wear safety shoes to protect your feet.



Warning! Danger!



Make sure that the chain brake is released. Pull back the handle/chain brake before operating.



Noise emission complies with Directive 2000/14/EC.

Explanation of the symbols for the handling label on the machine.

A safety sign is fitted to the chain saw's fan filter cover. This label, along with the safety instructions on these pages, should be carefully read before attempting to operate this unit.



IMPORTANT! Picture 1/2/3 Warns about a dangerous method of working that must not be used. Picture 4 Recommends operation for safe sawing.



1. Avoid contact with the tip of the chain bar (chain return point). RECOMMENDED.



2. Warning! Beware of kick back.



3. Do not hold the saw in one hand.



IMPORTANT! Hold the saw firmly with both hands. Place your right hand on the rear handle and your left hand on the front handle.



Safety Information

Important - Please read these instructions fully before operating or maintaining

Explanation of the Symbols and Warning signs on the machine continued

Explanation of the symbols for the brake function label on the machine.



Push the handle forward to engage the brake, and stop the chain.



Push the handle back to disengage the brake.



NOTE! The chainsaw is designed for occasional use by home owners, garden owners and campers and is for general work such as stump grubbing, cutting firewood, etc. It is not designed for lengthy use. If it is used for a lengthy period, the vibrations it causes in the hands of the user may result in circulation problems (white finger syndrome).



Safety Information

Important - Please read these instructions fully before operating or maintaining

General Safety



WARNING! Read and follow the operating instructions and safety information before using for the first time. Keep this operating and maintenance manual in a safe place for reference at a later date.



WARNING! Always ensure anyone intending to operate this chainsaw is fully conversant with the contents of this manual prior to maintaining or operating the chainsaw.



WARNING! Only perform operations described in this manual. Failure to observe this warning may lead to serious injury, death, or damage to the chainsaw.



WARNING! This chainsaw must only be used for light domestic applications such as sawing wood in your own garden. It is not a commercial, trade or industrial product and must not be used for extended periods of time. Extended use may lead to circulatory problems. Always seek guidance and appropriate training before attempting to fell trees or perform sawing operations on large trees or tree stumps.



WARNING! This chainsaw is only designed to saw wood. Under no circumstances should you attempt to saw plastic, masonry or metallic materials.



WARNING! Always take the time to fully inspect the chainsaw for signs of damage each and every time it is used. If any signs of damage are observed, do not use the chainsaw until it has been fully inspected by a suitably qualified service technician.



CAUTION! The saw chain will stretch after as few as five cuts following the initial tensioning. Refer to the operation and maintenance manual for instructions on re-adjusting the saw chain tension.



CAUTION! Only operating and maintenance procedures specifically detailed in this manual or the maintenance manual should be carried out. All other procedures must be carried out by a suitable qualified service technician.



IMPORTANT! Before assembling the chainsaw, check all the parts indicated in the Assembly Manual are in the box. Inspect all the parts for signs of damage. Do not assemble the chainsaw if you observe any damaged components.



NOTE! This chainsaw complies with the Noise Emission Directive 2000/14/EC.

Personal Safety



WARNING! Only operate the chainsaw if you are wearing the correct Personal Protective Equipment (PPE) as described in the following warnings.



WARNING! Always wear a suitable helmet and footwear if you are operating the chainsaw where there is a risk of falling objects i.e. under a tree canopy.



WARNING! Never wear loose fitting clothing while operating the chainsaw.



WARNING! Never operate the chainsaw for extended periods of time. You may become tired or lose concentration. This may create unnecessary risks to yourself and others. Take periodic breaks whenever possible.



Safety Information

Important - Please read these instructions fully before operating or maintaining

Operating and Maintenance Safety



WARNING! Under no circumstances should the chainsaw be filled or refilled with the fuel mixture or oil while the engine is running. Failure to observe this notice may present a risk of explosion.



WARNING! Under no circumstances should you attempt to lubricate any part of the chainsaw while the engine is running.



WARNING! Always turn the engine off before setting the chainsaw down. Failure to observe this warning may allow the chainsaw to be accidentally operated leading to serious personal injury.



WARNING! Never attempt to clear trapped debris from the saw chain while the engine is running.



WARNING! Under no circumstances should you attempt to grasp the saw chain while it is moving. Failure to observe this warning may lead to serious personal injury.



WARNING! To stop the chainsaw in an emergency, apply rapid pressure to the chain brake and stop switch.



WARNING! If the chain brake fails the operational chain brake test, DO NOT use the chainsaw until it has been serviced and inspected by a suitably qualified technician.



WARNING! Always store excess fuel/oil mixtures drained from the fuel tank in a suitable sealed container designed for the storage of flammable liquids.



CAUTION! Only use the large end of the supplied multi tool to remove the spark plug. Using any other tool may damage the spark plug and/or the chainsaw engine.



CAUTION! Although the guide bar is pre-lubricated at the factory, it is essential that you regularly lubricate the guide bar in accordance with maintenance schedule. Failure to observe this caution will inhibit the performance of the chainsaw and may void your warranty.



CAUTION! It is essential that the correct saw chain tension is maintained. This will ensure that the saw chain, drive sprocket, guide bar and engine do not wear prematurely.



WARNING! Always ensure the chainsaw is operated in a safe area free from objects or surfaces which may lead to tripping, slipping or loss of secure footing. Always ensure you have a planned retreat path from a tree which is to be felled.



WARNING! Periodically inspect the work area for possible hazards while using the chainsaw.



CAUTION! Always operate the chainsaw in well ventilated areas.



WARNING! DO NOT allow other persons to be near when starting or cutting with the chain saw. Keep bystanders and animals out of the work area.



WARNING! The engine will create toxic exhaust fumes as soon as the engine is started. Never work in enclosed rooms or in rooms with poor ventilation.



Safety Information

Important - Please read these instructions fully before operating or maintaining

Handling Safety



WARNING! Always hold the chainsaw with two hands while operating. This chainsaw is not designed for single-handed operation. Failure to observe this warning may lead to loss of control and may present a serious threat of personal injury or death to yourself and others.



WARNING! Never attempt to operate or maintain the chainsaw while tired or in a situation where you may be easily distracted.



WARNING! Do not operate the chainsaw if you have a medical condition which may affect your ability to operate it safely. If unsure, seek medical advice.



WARNING! Never attempt to operate or maintain the chainsaw under the influence of drugs and/or alcohol. Your ability to operate chainsaw safely may be reduced, leading to serious injury, death or damage to the chainsaw.



WARNING! Never expose any part of the body to saw chain while the engine is running. Failure to observe this warning may lead to serious injury or death.



WARNING! Always ensure the chain brake works correctly before operating the chainsaw by performing the chain brake mechanical test. Never use the chainsaw if the chain brake is damaged, fails to operate correctly or is not assembled correctly.



WARNING! Never start the chainsaw in close proximity to stored fuel. Failure to observe this warning may lead to inadvertent ignition of stored or spilled fuel leading to personal injury.



WARNING! Never attempt to operate the chainsaw at heights or in a tree at any time. Failure to observe this warning may lead to serious personal injury to yourself and others.



WARNING! Always ensure the handles and controls of the chainsaw are dry and free from grease, mixed fuel, oil or any other lubricant. Failure to observe this warning may lead to loss of control and serious personal injury or death.



CAUTION! Never use the chainsaw to saw/cut small bushes, shrubs or saplings. The branches of these may get caught in the cutting blades of the saw chain and whipped towards you or pull you off balance.



CAUTION! Always be alert when sawing branches under tension. Once sawn/cut, the tension will be released. You may become unbalanced or struck by loose objects.



CAUTION! When the chainsaw is not in use, always carry it by the handle with the saw chain and guide bar facing rearwards. Whenever possible, cover the saw chain with the protective cover provided.



CAUTION! During operation, the chainsaw will exhaust hot gases. Keep all exposed parts of the body away from the exhaust.



WARNING! If your fingers become white or you feel an awkward feeling (prickle) in your fingers, stop working immediately!



Safety Information

Important - Please read these instructions fully before operating or maintaining

Proper Use

The chain is designed exclusively for sawing wood. You may only fell trees if you have received the appropriate training. The manufacturer cannot be held liable for damage caused by improper or incorrect usage.

Residual hazards

Even when the equipment is used properly, a certain residual hazard cannot be ruled out. The following potential dangers may arise in connection with the equipment's design and construction:



WARNING! Contact with the unguarded saw chain (injuries through cutting).



WARNING! Reaching into the saw chain while it is running (injuries through cutting).



WARNING! Unforeseen, sudden movement of the saw chain (injuries through cutting).



WARNING! Catapulting of parts of the saw chain.



WARNING! Catapulting of parts of the material being cut.



WARNING! Damage to hearing if the compulsory hearing protection is not used Inhalation of particles from the material being cut, emissions from the combustion engine.



WARNING! Skin contact with petrol.

The machine is to be used only for its prescribed purpose. Any other use is deemed to be a case of misuse. The user / operator and not the manufacturer will be liable for any damage or injuries of any kind caused as a result of this.



NOTE! Please note that our equipment has not been designed for use in commercial, trade or industrial applications. Our warranty will be voided if the machine is used in commercial, trade or industrial businesses or for equivalent purposes.



WARNING! The following information is primarily for the end user or occasional user. The chainsaw is designed for occasional use by home owners, garden owners and campers and is for general work such as stumpgrubbing, cutting firewood, etc. It is not designed for lengthy use. If it is used for a lengthy period, the vibrations it causes in the hands of the user may result in circulation problems (white finger syndrome). The hand-arm vibration syndrome (vibration white finger) is a vascular disease that involves seizure-like spasms of the fingers and toes. The affected areas are no longer sufficiently supplied with blood and therefore appear extremely pale. The frequent use of vibrating equipment may trigger nerve damage in people with an impaired circulation (for example smokers, diabetics).



CAUTION! Should you observe any unusual impairments, interrupt your work immediately and consult a doctor.



Safety Information

Important - Please read these instructions fully before operating or maintaining

Proper Use (continued)

Follow these instructions in order to reduce the dangers:



CAUTION! Keep your body and in particular your hands warm when working in the cold.



CAUTION! Take regular breaks and move your hands to stimulate the blood circulation during the breaks.



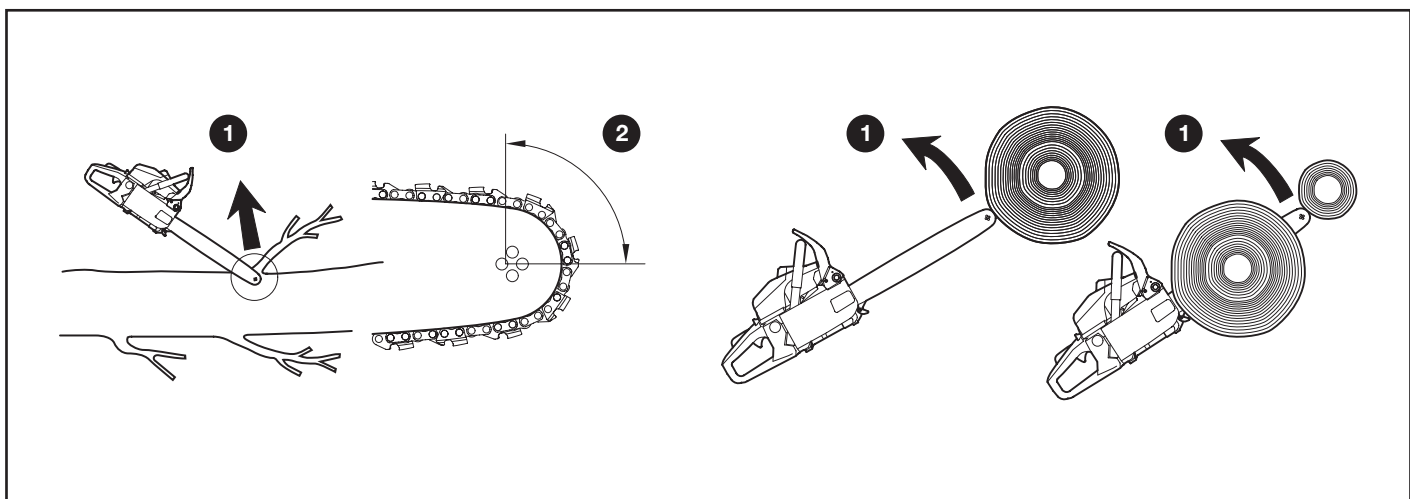
CAUTION! Ensure that the equipment makes the least possible vibration through regular maintenance and solid parts on the equipment.

Kickback Safety

Kickback is the term used to describe the reaction of the chainsaw when the nose or tip of the guide bar comes into contact with an object. This form of contact causes a lightning fast reverse reaction causing the nose or tip of the chainsaw to 'kickback' towards the operator. This presents a risk of serious personal injury or even death. Although the chainsaw is fitted with the various safety features, it is imperative that you stay alert at all times to prevent kickback occurring. You can do this by observing the following simple rules:

- Ensure the chainsaw is held firmly with both hands. The right hand should grip the rear handle and the left hand the front handle. Gripping the handles firmly will help you control the chainsaw more effectively in the event of kickback.
- Ensure the tip or nose of the chainsaw never comes into contact with any object while operating.
- Always use the chainsaw at full throttle to maintain the optimum cutting speed.
- Under no circumstances should you overreach while operating the chainsaw.

The following figure demonstrates the reaction zone of the chainsaw tip and situations which may cause kickback.



1 Direction of reaction

2 Reaction zone



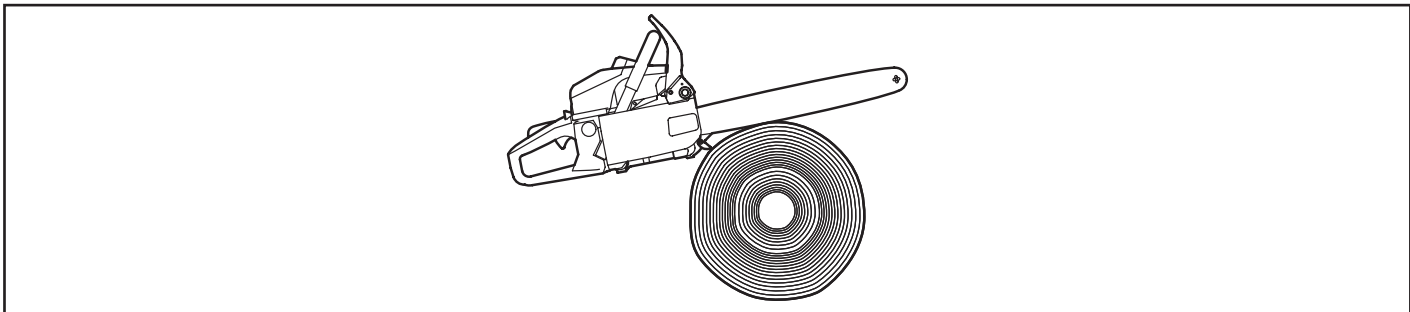
Safety Information

Important - Please read these instructions fully before operating or maintaining

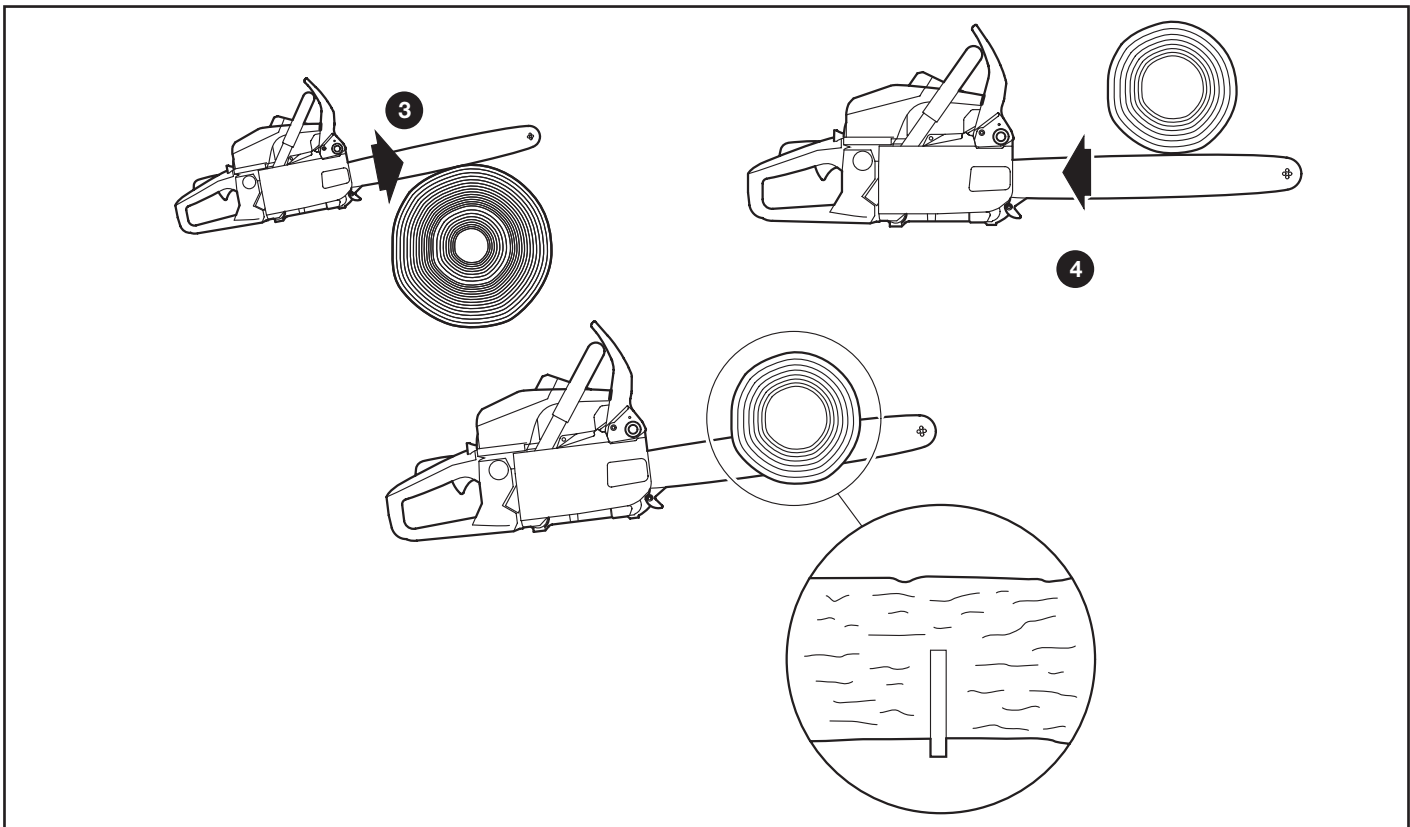
Pinching Safety

Pinching is the term used to describe the reaction of the chainsaw when the BOTTOM or TOP of the guide bar is pinched in the object being cut or sawn. This form of contact causes the chainsaw to move rapidly towards or away from you. If the BOTTOM of the guide is pinched, the chainsaw will be pulled away from you. If the TOP of the guide is pinched, the chainsaw will be pushed towards you. This presents a risk of serious personal injury or even death. Although the chainsaw is fitted with the various safety features, it is imperative that you stay alert at all times to prevent pinching occurring.

To prevent pinching, always place the object to be cut against the claw stop at the rear of the guide bar as shown in the figure below.



The following figure demonstrates the types of sawing action which may lead to pinching.



3 Push Reaction

4 Pull reaction

Preparing to Operate the Chainsaw

Step 1 - Assembly of the Chain Saw

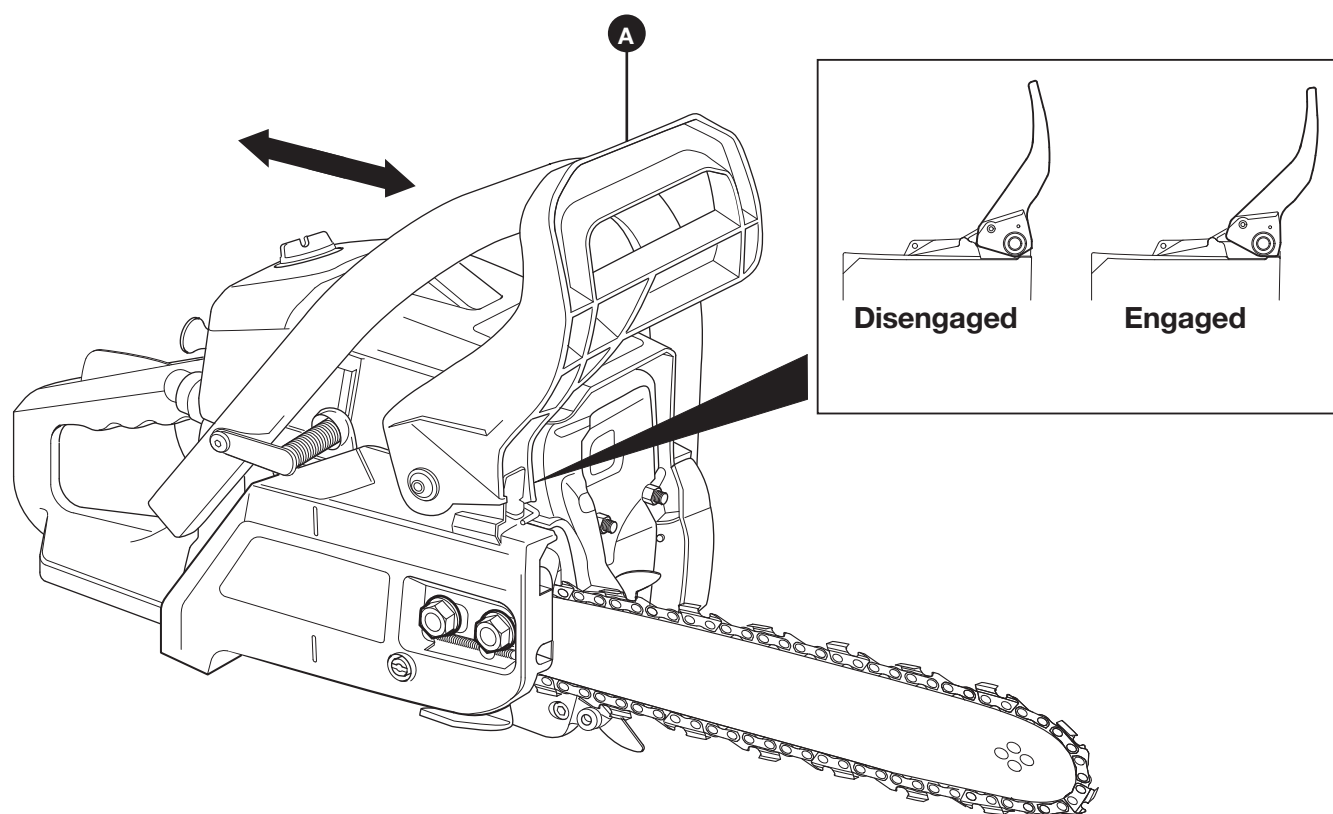
Please refer to the Assembly Instructions in the Assembly Manual for details of how to assemble the chainsaw.

Please refer to the Assembly Instructions in the Assembly Manual for details of how to adjust the tension of the Chain bar and Chain on the chain saw Main Body Assembly.

Please refer to the Assembly Instructions in the Assembly Manual for details of how to fit the Chain bar and Chain to the chain saw Main Body Assembly.

Step 2 - Check the Chain Brake

2a and 2b



Preparing to Operate the Chainsaw

Step 2 - Check the Chain Brake (continued)



WARNING! The chain brake must not be tested with the chainsaw running unless strictly instructed to do so in this manual. Failure to observe this warning may lead to serious personal injury.



WARNING! The chain brake can only reduce the possibility of serious personal injury if it is fitted in accordance with the instructions detailed in the Assembly Manual. If the chain brake is tampered with or the chainsaw is not used in accordance with these operating instructions i.e. careless operation, the risk of serious injury may still exist.



CAUTION! If it proves difficult to move the chain brake lever into the required position, stop using the chainsaw immediately. It should be inspected by a suitably qualified service technician.

The chainsaw is fitted with a chain brake which is designed to reduce the possibility of serious personal injury due to kickback. The chain brake is engaged when pressure is applied to the chain brake lever i.e. when the operator's hand strikes the chain brake lever during kickback.

Once the chain brake is engaged, the saw chain stops moving immediately.



WARNING! NEVER use a chainsaw which is damaged, incorrectly set or incompletely and loosely assembled. Failure to observe this warning may lead to serious personal injury.



The engine must be stopped before the following checks are carried out.

2a. Check the Chain Brake Disengages

Pull the chain brake lever **A** fully backwards until it 'clicks' into position. If the chain brake is disengaged it should be possible to move the saw chain using a gloved hand.

If it is not possible to move the saw chain, the chain brake may be damaged. Do not use the chainsaw until it has been inspected by a suitably qualified technician.

2b. Check the Chain Brake Engages

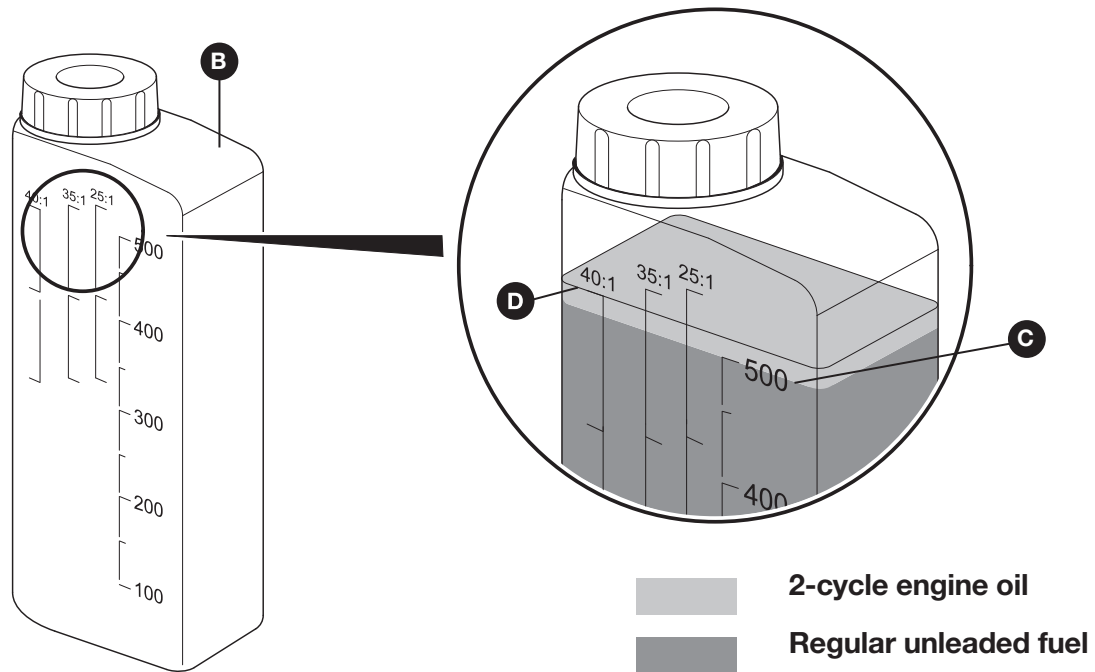
Push the chain brake lever **A** fully forwards until it 'clicks' into position. If the chain brake is engaged it should **NOT** be possible to move the saw chain using a gloved hand.

If it is possible to move the saw chain, the chain brake may be damaged. Do not use the chainsaw until it has been inspected by a suitably qualified technician.

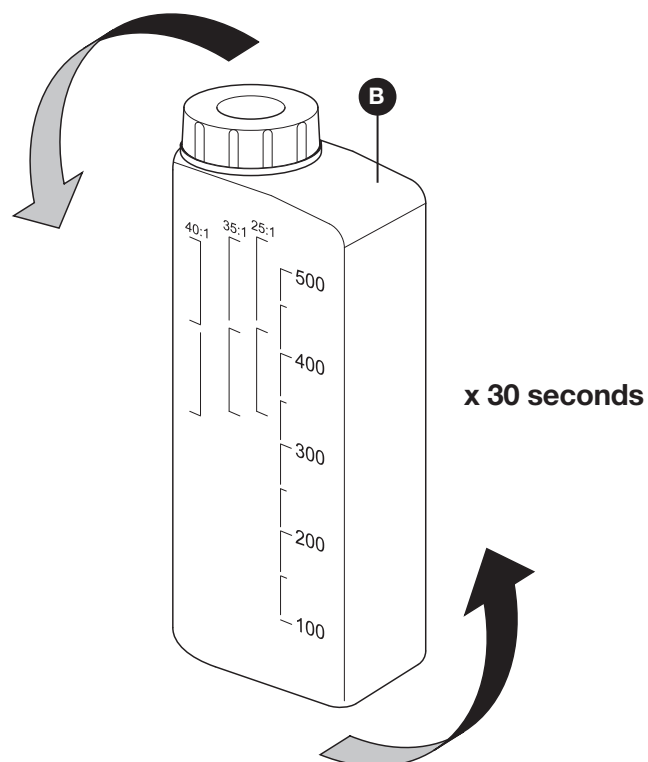
Preparing to Operate the Chainsaw

Step 2 - Fuel and Lubrication

3a



3b



Preparing to Operate the Chainsaw

Step 3 - Fuel and Lubrication (continued)

It is essential for the smooth operation of the chainsaw to use the correct type of fuel and oil. The chainsaw utilises a 2-stroke engine which runs on a mixture of regular unleaded fuel and 2-cycle engine oil mixed at a ratio of 40:1.

The chainsaw will operate with any brand or grade of regular unleaded fuel which is designed for automotive use.

3a. Filling the Mixing Container with Fuel and Oil



WARNING! Before attempting to mix fuel and oil, always ensure all sources of ignition are removed i.e. naked flames.



WARNING! The chainsaw should **NOT** be used with petrol only. This will cause permanent damage to the engine and will void your warranty.



CAUTION! Only use premium grade oil for 2-cycle air cooled engines designed to be mixed to a ratio of 40:1. Under no circumstances should oils designed for 100:1 mixes be used. Failure to observe this caution may prevent the engine from being suitably lubricated.



CAUTION! Using 2-cycle oils designed for mixing ratio other than 40:1 will void your warranty.



CAUTION! Do not use a fuel/oil mixture which has been stored for more than 90 days.



NOTE! It is recommended that a full container of fuel and oil is mixed every time to ensure the correct mixing ratio is achieved.

Fill the supplied mixing container **B** with approximately 500 ml of regular unleaded fuel. This level **C** is indicated on the side of the container.

Add 2-cycle oil to the mixing container **B** to fill up to the 40:1 oil indication **D**. This requires 12.5 ml of oil.

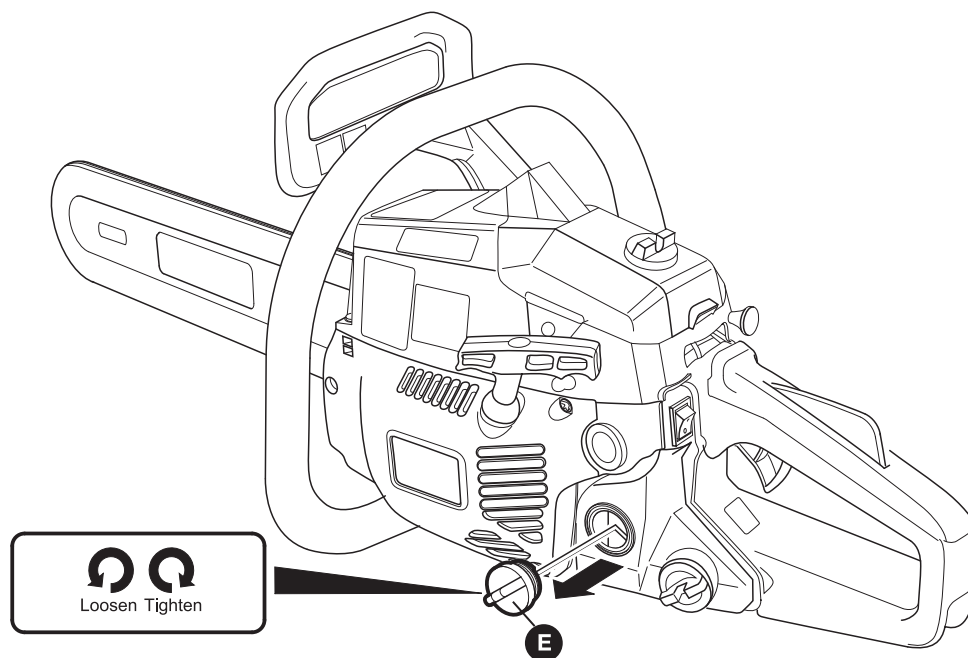
3b. Mixing Fuel and Oil

Ensuring the top of the mixing container **B** is fitted and fully tightened, shake vigorously for 30 seconds.

Preparing to Operate the Chainsaw

Step 4 - Filling the Fuel Tank

4a



4a. Fill the Fuel Tank



WARNING! Before attempting to fill the fuel tank, always ensure all sources of ignition are removed i.e. naked flames.

Remove the fuel tank cap **E** by unscrewing anti-clockwise.

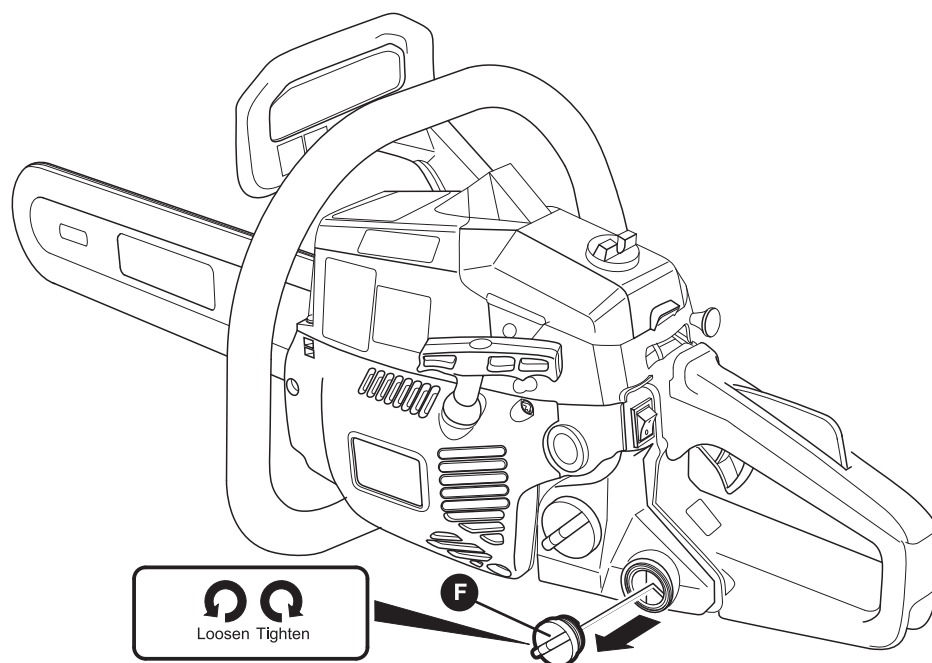
Remove the top of the mixing container **B** (shown in step 2) and position a suitable funnel (not supplied) into the fuel tank. Pour the fuel and oil mixture into the fuel tank.

Refit the fuel tank cap **E** and tighten by turning clockwise. Only tighten using your hands - **DO NOT** use tools.

Preparing to Operate the Chainsaw

Step 5 - Filling the Chain Lubrication Oil Tank

5a



5a. Fill the Oil Tank



WARNING! Before attempting to fill the oil tank, always ensure all sources of ignition are removed i.e. naked flames.

Remove the oil tank cap **F** by unscrewing anti-clockwise.

Fill the oil tank with the suitable oil designed for lubricating saw chains.

Refit the oil tank cap **F** and tighten by turning clockwise. Only tighten using your hands - **DO NOT** use tools.

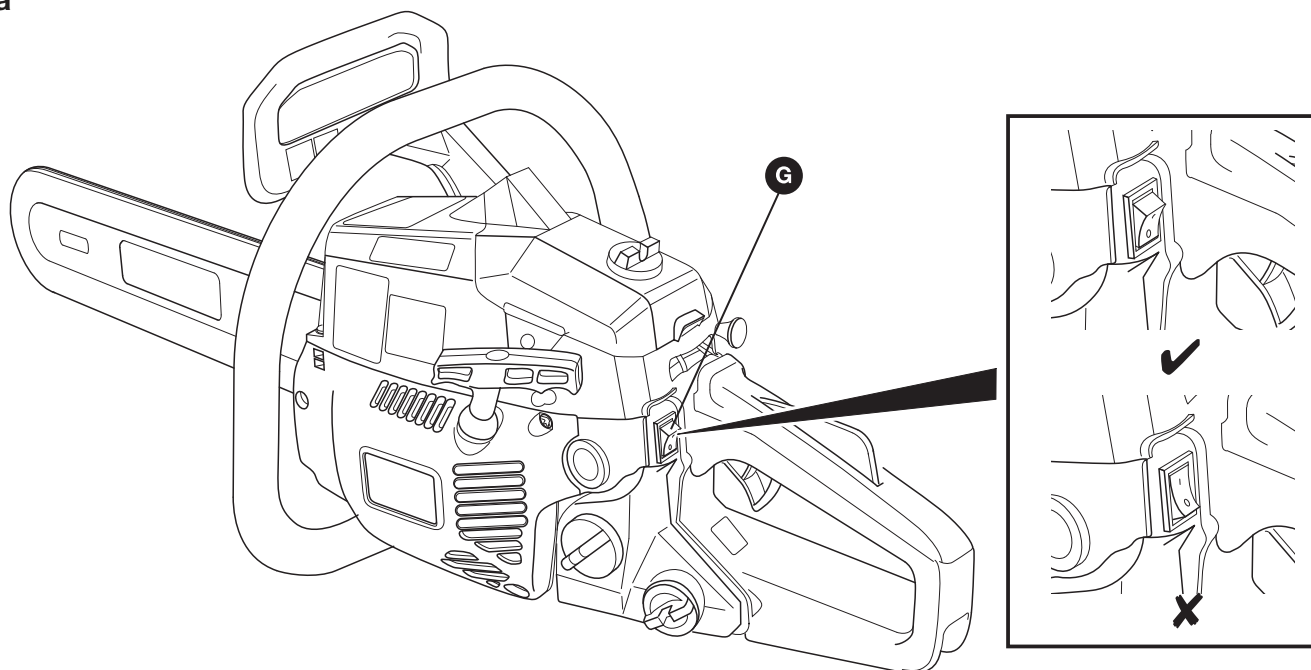


NOTE! Please refer to the Maintenance Section - Step 6 for details of how to lubricate the chain / chain bar.

Operating the Chainsaw

Step 1 - Starting the Engine

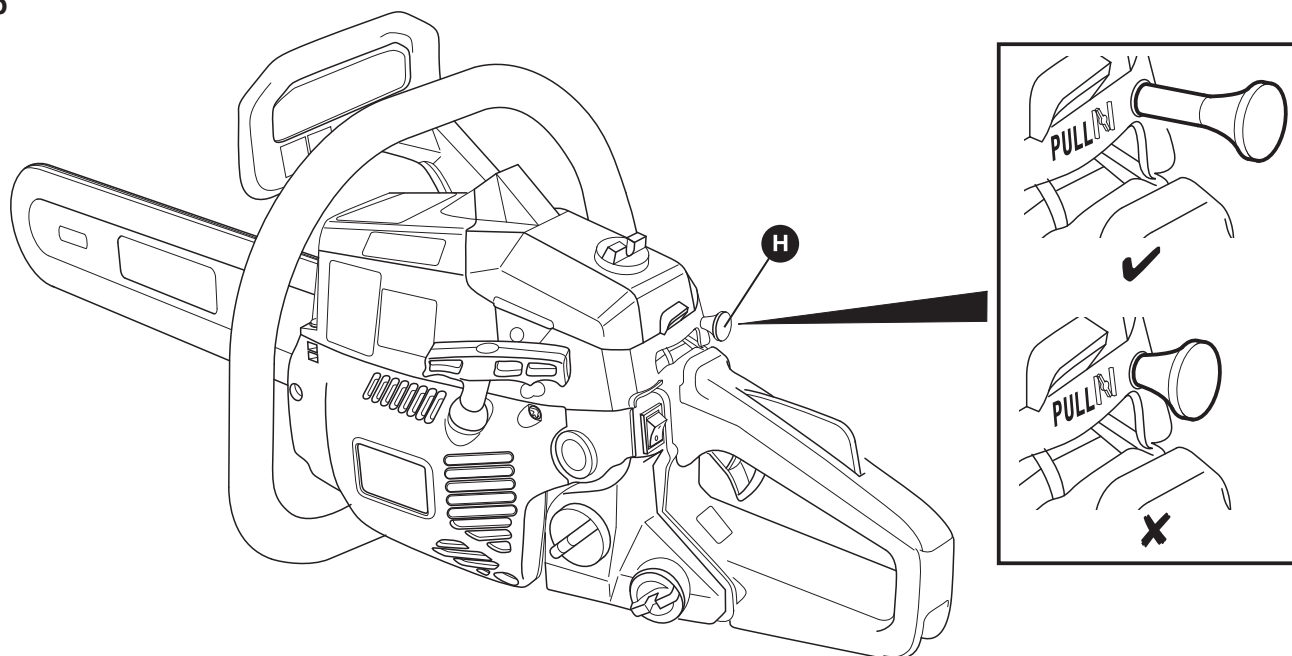
1a



1a . Set the Ignition Switch to STOP

Move the ignition switch **G** to the lower STOP (OFF, "0") position.

1b



1b. Ensure the Choke is Fully Out

Pull the choke lever **H** fully out until it clicks into position.

Operating the Chainsaw

Step 1 - Starting the Engine (continued)

1c. Priming the Chainsaw



WARNING! Before attempting to start and operate the chainsaw, ensure the saw chain is not in contact with the ground or any other object. Failure to observe this warning may lead to kickback or objects being propelled towards you and others in the area.



WARNING! Never attempt to start or operate the chainsaw if you suspect there is spilt fuel or any other flammable gases/liquids in the area. Failure to observe this notice may present a risk of explosion.



WARNING! Always be aware of the proximity of any part of your body to the saw chain while the operating the chainsaw. Ensure the saw chain is kept away from legs, feet and body at all times. Failure to observe this warning may lead to serious personal injury or death.



WARNING! Always wear fully enclosed safety goggles when operating the chainsaw to protect your eyes from flying dust and debris. Failure to observe this warning may lead to irreparable damage to your eyes.



WARNING! Always wear suitable ear plugs or ear defenders when operating the chainsaw to protect your hearing. Prolonged exposure to the loud noise produced by the chainsaw may lead to hearing loss or impairment.



WARNING! Always wear suitable gloves when operating chainsaw to protect your hands from flying debris and/or sharp objects. It is particularly important to wear protective gloves when assembling or maintaining the saw chain.

Ensure the chain brake is disengaged.

Operating the Chainsaw

Step 1 - Starting the Engine (continued)

Place the chainsaw on a firm level surface clear of debris or any objects which may come into contact with the saw chain while it is moving.

Place your right foot on the trigger plate **K** to keep the chainsaw stable while starting. Your left foot should be positioned so that it is clear of the chainsaw but still allows you to stand firmly.

Grasp the handle **L** firmly with your left hand.

Using your right hand pull the starter cord **J** slowly towards you until you feel resistance.

Ensuring that all parts of your body are away from the saw chain, rapidly pull the starter cord **J** slowly and release in a controlled manner four times.

The chainsaw is now primed.

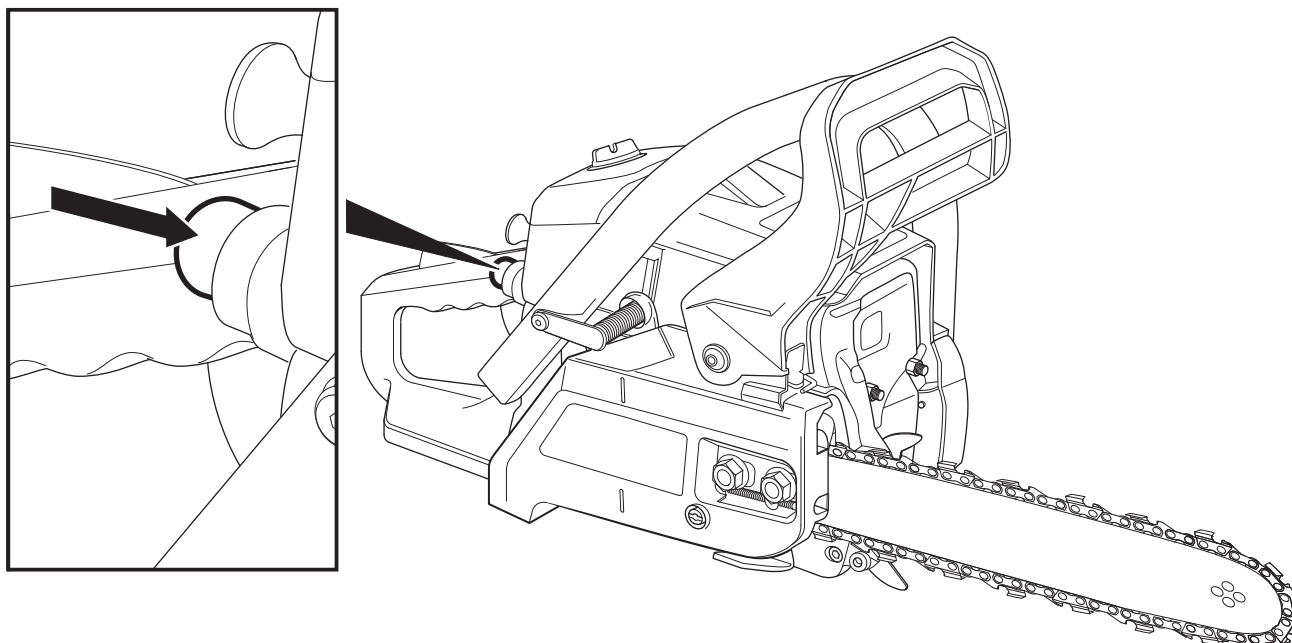


IMPORTANT! Always pull the starter cable slowly until you feel the initial resistance before you then pull it quickly to start the engine. Do not allow the starter cable to whip back of it's own accord.

Operating the Chainsaw

Step 1 - Starting the Engine (continued)

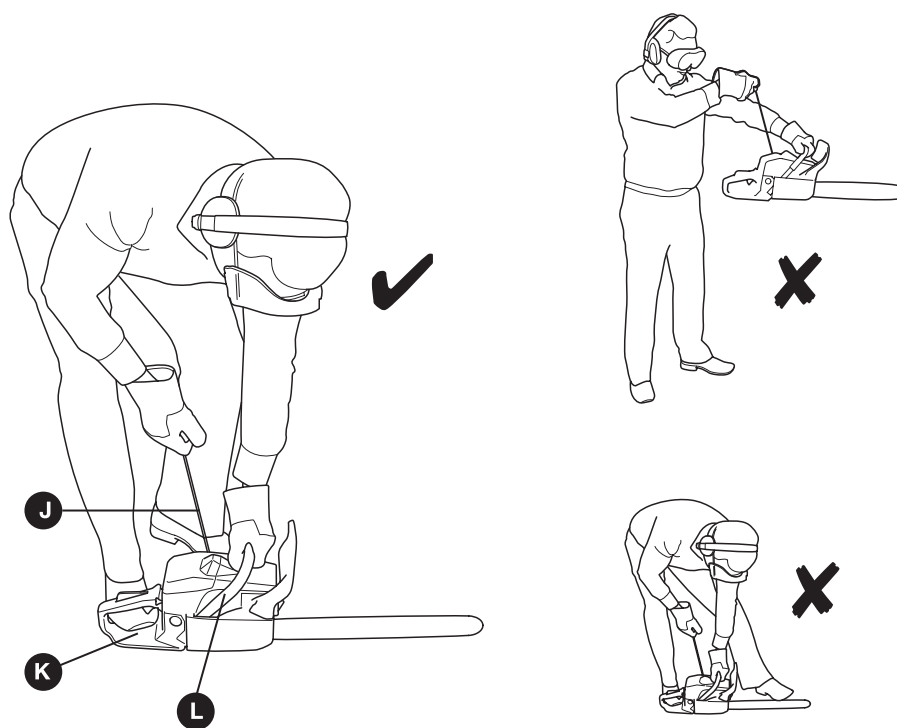
1c



1c . Priming the chainsaw

Push Primer Bulb 10 times.

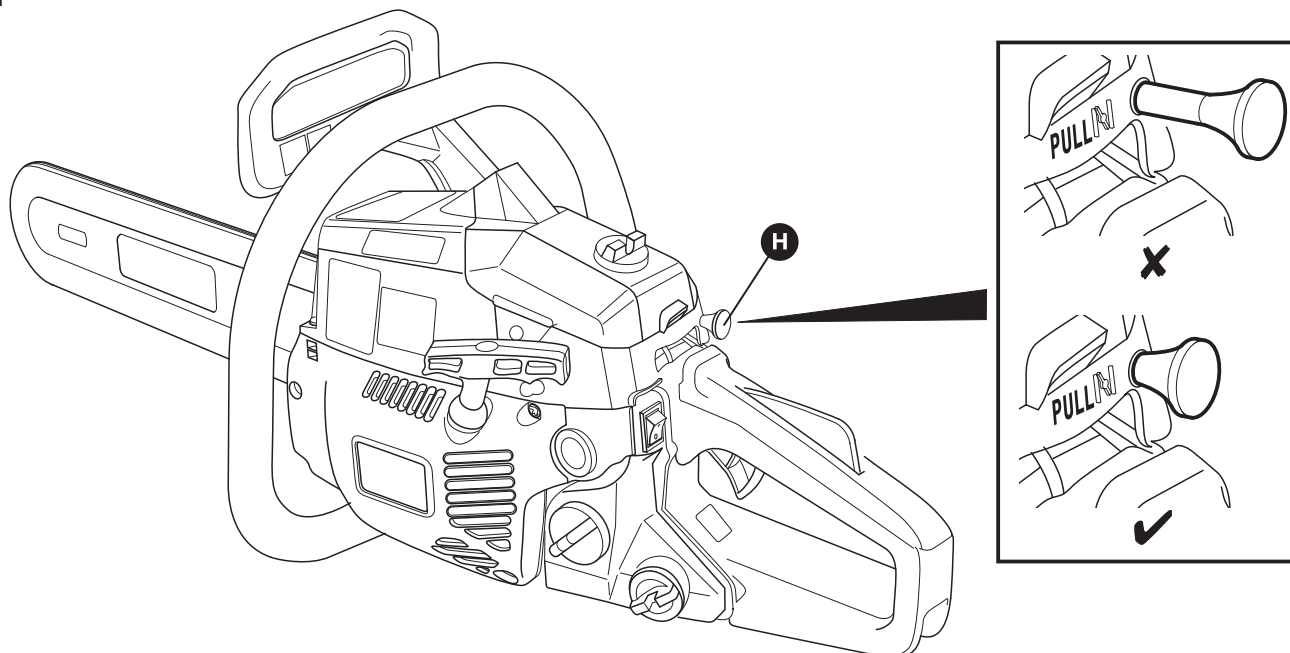
1c



Operating the Chainsaw

Step 1 - Starting the Engine (continued)

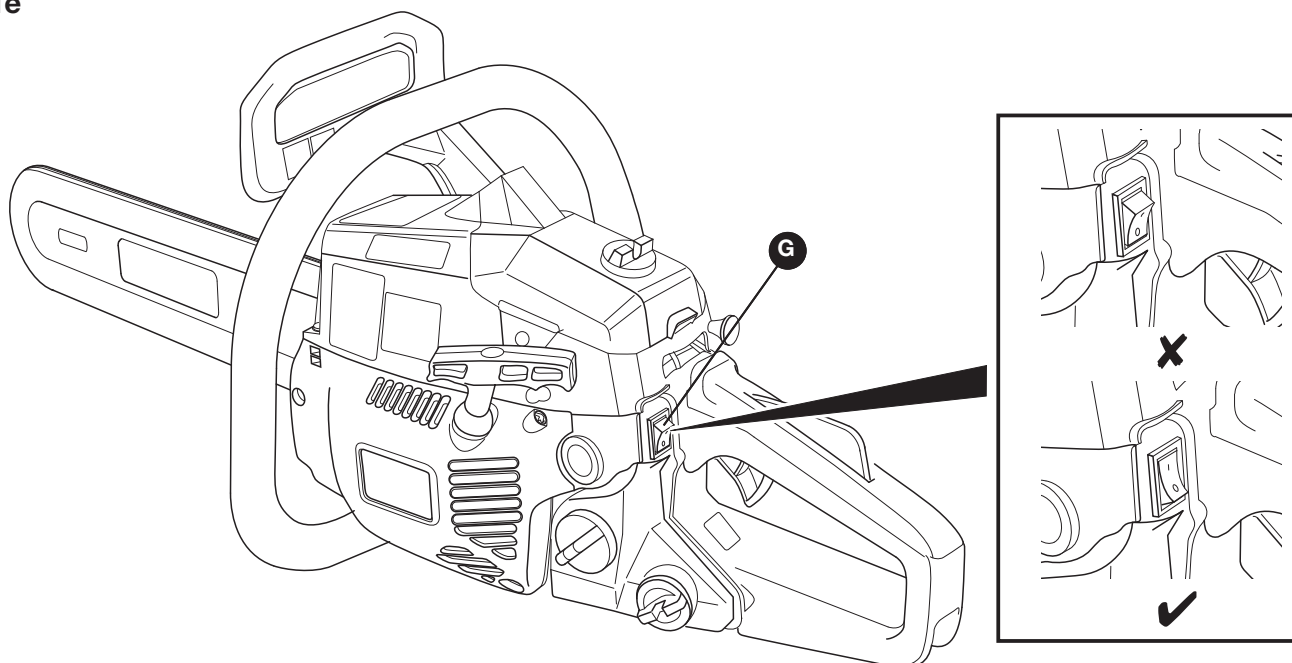
1d



1d. Ensure the Choke is Fully In

Push the choke lever **H** fully in.

1e



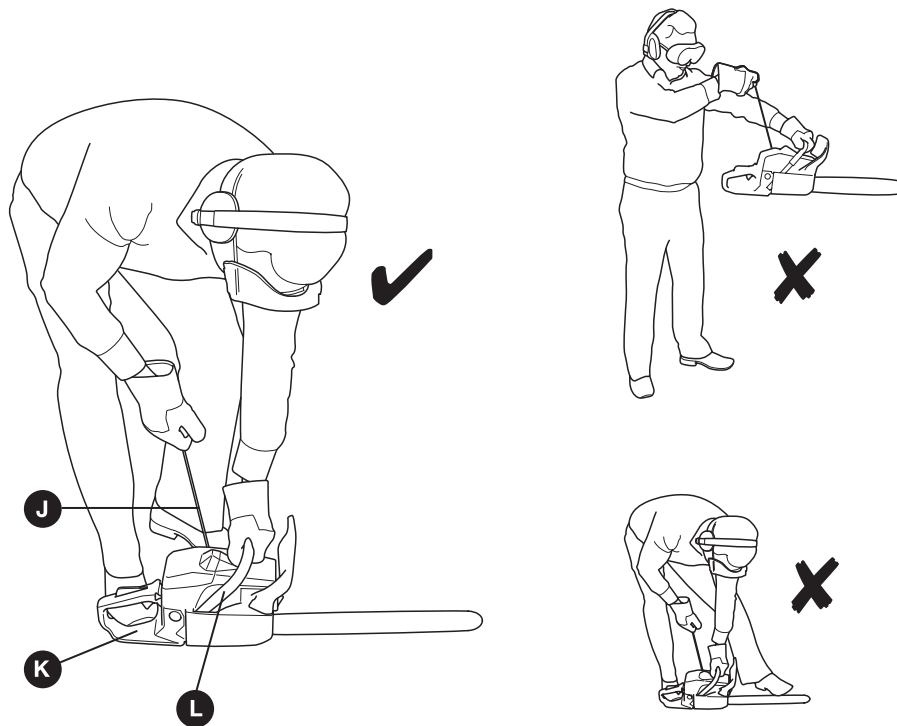
1e. Set the Ignition Switch to ON

Move the ignition switch **G** to the upper ON ("1") position.

Operating the Chainsaw

Step 1 - Starting the Engine (continued)

1f



1f. Start the Chainsaw



WARNING! To stop the chainsaw in an emergency, apply rapid pressure to the chain brake and stop switch.

Place the chainsaw on a firm level surface clear of debris or any objects which may come into contact with the saw chain while it is moving.

Place your right foot on the trigger plate **K** to keep the chainsaw stable while starting. Your left foot should be positioned so that it is clear of the chainsaw but still allows you to stand firmly.

Grasp the handle **L** firmly with your left hand.

Using your right hand pull the starter cord **J** slowly towards you until you feel resistance.

Ensuring that all parts of your body are away from the saw chain, rapidly pull the starter cord **J** slowly and release in a controlled manner. Up to six pulls may be required to start the chainsaw. Allow the engine to idle for approximately 10 seconds.

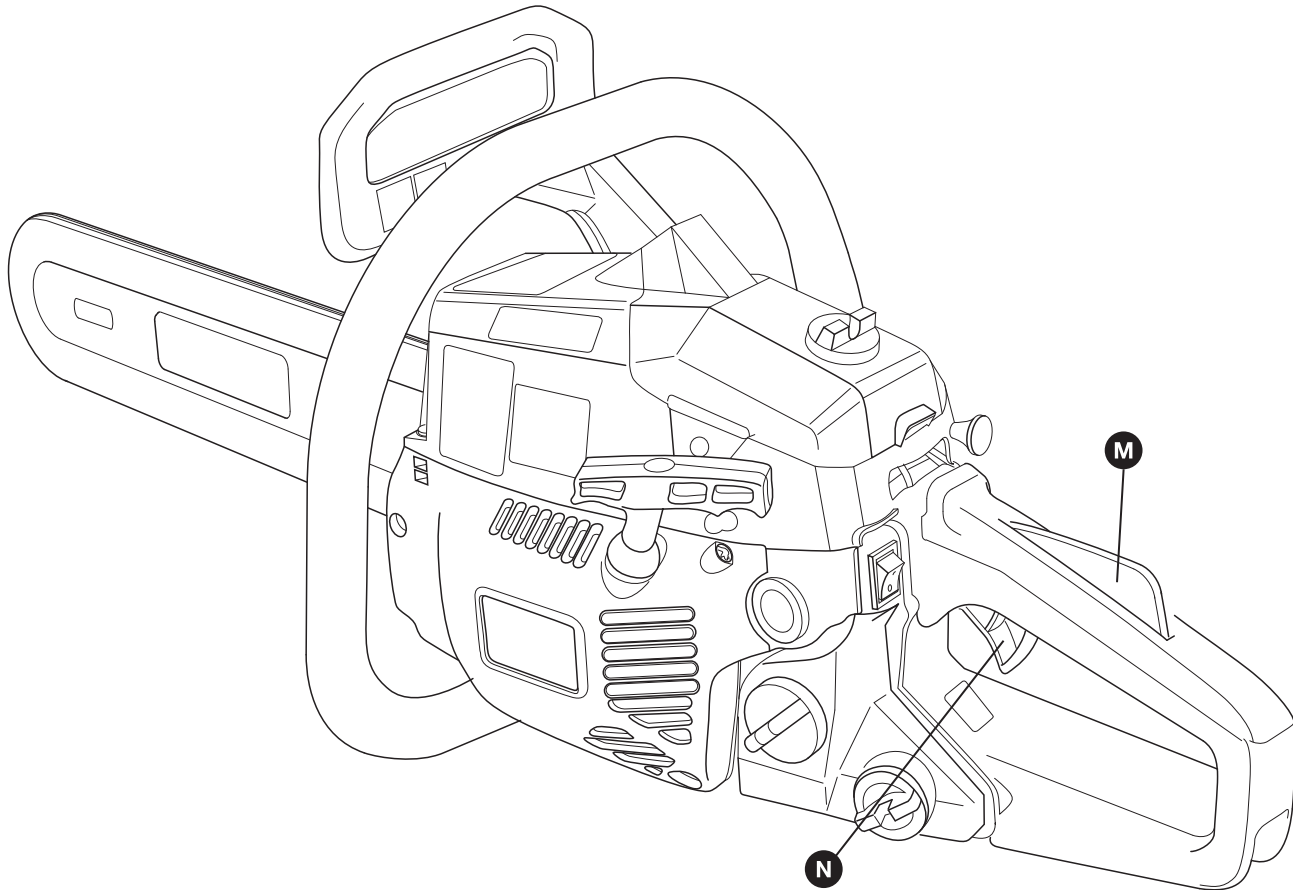


NOTE! If the chainsaw fails to start repeat steps 1a to 1f. If the chainsaw still fails to start, consult the troubleshooting guide at the rear of this manual.

Operating the Chainsaw

Step 1 - Starting the Engine (continued)

1g



1g. Accelerate the Engine



WARNING! To stop the chainsaw in an emergency, rapidly strike the chain brake and stop switch.

Before attempting to saw anything with the chainsaw, the engine must be accelerated to operating speed. This is done using the throttle lever **N**. Once the chainsaw engine is running and has warmed up, it is ready to use.

While fully depressing the safety lever **M** press the throttle lever **N**. The chainsaw engine will rapidly accelerate.

Keep the throttle lever **N** depressed while sawing or cutting.



NOTE! It will not be possible to accelerate the chainsaw engine with the throttle lever unless the safety lever is fully depressed. This is a safety feature.

1h. Stopping the Chainsaw

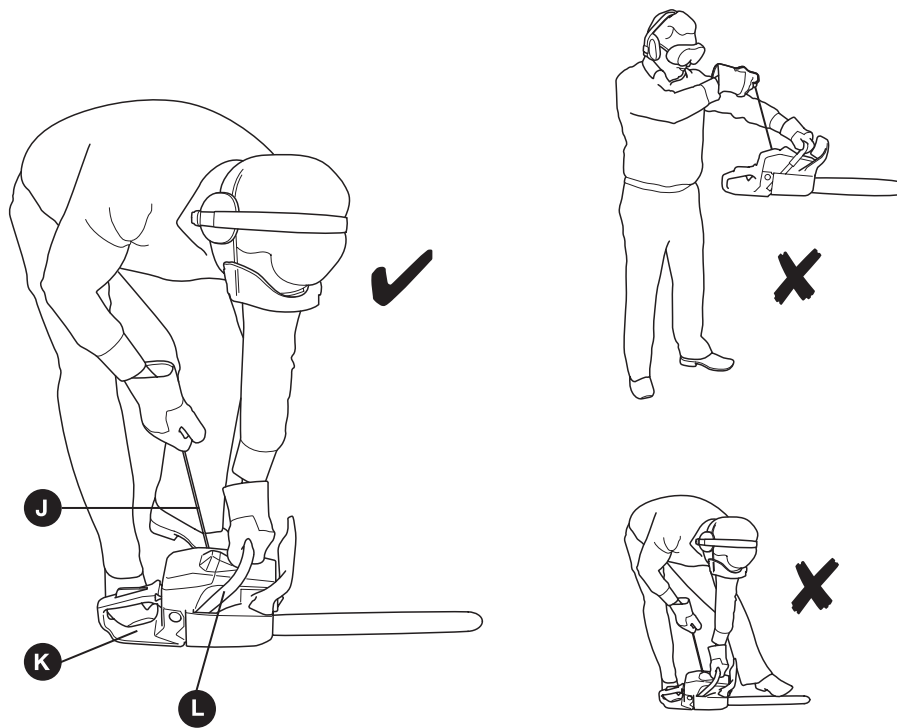
To stop the chainsaw, release the throttle lever **N** and move the ignition switch to the lower STOP (OFF, "0") position as shown in step 1a.

Only use the chainsaw as described in the following sections.

Operating the Chainsaw

Step 2 - Restarting the Chainsaw When Warmed Up

2a



2a. Restarting the Chainsaw When Warmed Up



NOTE! Once the chainsaw is warmed up there is no need to 'prime the chainsaw' as described in step 1c.

Place the chainsaw on a firm level surface clear of debris or any objects which may come into contact with the saw chain while it is moving.

Ensure the ignition switch is set to the upper ON ("1") position.

Place your right foot on the trigger plate **K** to keep the chainsaw stable while starting. Your left foot should be positioned so that it is clear of the chainsaw but still allows you to stand firmly.

Grasp the handle **L** firmly with your left hand.

Using your right hand pull the starter cord **J** slowly towards you until you feel resistance.

Ensuring that all parts of your body are away from the saw chain, rapidly pull the starter cord **J** slowly and release in a controlled manner. Up to six pulls may be required to start the chainsaw.

How to Use the Chainsaw

Introduction



WARNING! Before attempting to use the chainsaw, it is imperative that you undertake professional training by an accredited body. This will provide full instruction on the type of sawing and cutting operations that can be performed complete with relevant safety training.

Cutting and sawing with a chainsaw can be very dangerous if undertaken without proper training.



WARNING! Never attempt to start or operate the chainsaw if you suspect there is spilt fuel or any other flammable gases/liquids in the area. Failure to observe this notice may present a risk of explosion.



WARNING! Always be aware of the proximity of any part of your body to the saw chain while the operating the chainsaw. Ensure the saw chain is kept away from legs, feet and body at all times. Failure to observe this warning may lead to serious personal injury or death.



WARNING! Always wear fully enclosed safety goggles when operating the chainsaw to protect your eyes from flying dust and debris. Failure to observe this warning may lead to irreparable damage to your eyes.



WARNING! Always wear suitable ear plugs or ear defenders when operating the chainsaw to protect your hearing. Prolonged exposure to the loud noise produced by the chainsaw may lead to hearing loss or impairment.



WARNING! Always wear suitable gloves when operating chainsaw to protect your hands from flying debris and/or sharp objects. It is particularly important to wear protective gloves when assembly or maintaining the saw chain.



IMPORTANT! Hold the saw firmly with both hands. Place your right hand on the rear handle and your left hand on the front handle.



Noise emission complies with Directive 2000/14/EC.

This chainsaw can be used to perform the following types of cutting and sawing operations:

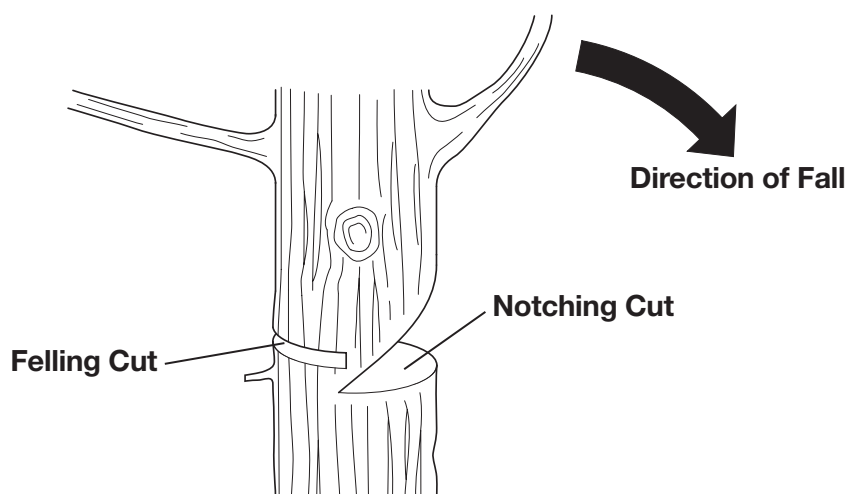
- Felling - Used to cut down large trees.
- Limbing - Used to remove branches and larger limbs from a tree trunk.
- Bucking - Used to cut large logs or trunks into smaller lengths.

The following steps provide a brief overview of each type of cutting operation. Always undertake full professional training before using the chainsaw to perform any of these types of cuts.

How to Use the Chainsaw

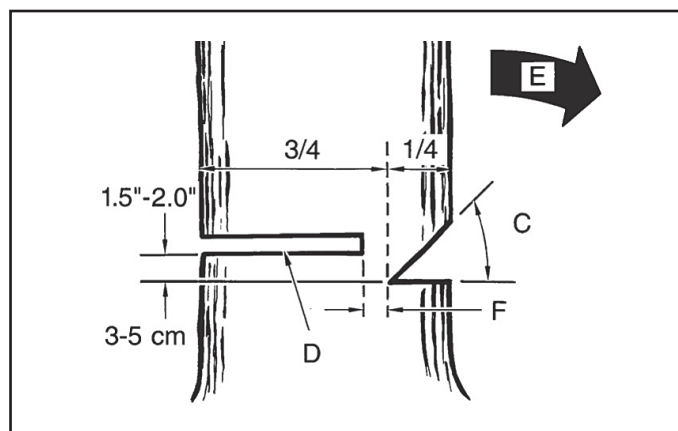
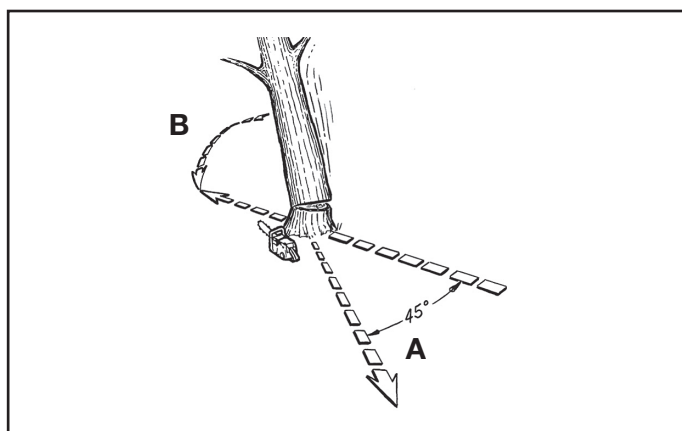
Felling

1a



Felling is the type of cut used to cut down trees. Whereas it may be possible to cut down small trees (6-7 inches in diameter) with a single straight through cut, larger trees require a felling cut.

If this type of cut is made it is performed in two stages. The first stage is the notching cut which determines the direction the tree will fall. The second stage is the felling cut which weakens the tree trunk and causes it to fall.



WARNING! A retreat path (A) should be planned and cleared as necessary before cuts are started. The retreat path should extend back and diagonally to the rear of the expected line of fall, as illustrated above.



WARNING! If felling a tree on sloping ground, the chain saw operator should keep on the uphill side of the terrain, as the tree is likely to roll or slide downhill after it is felled.



NOTE! Direction of fall (B) is controlled by the notching cut. Before any cuts are made, consider the location of larger branches and natural lean of the tree to determine the way the tree will fall (1a).

How to Use the Chainsaw

Felling (continued)



WARNING! Do not cut down a tree during high or changing winds or if there is a danger to property. Consult a tree professional. Do not cut down a tree if there is danger of striking utility wires; notify the utility company before making any cuts.

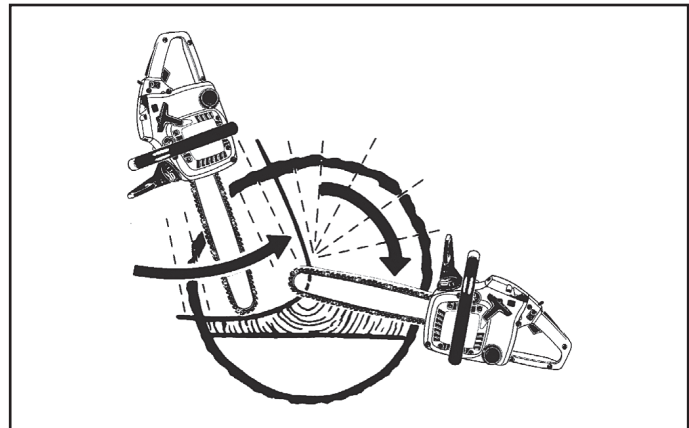
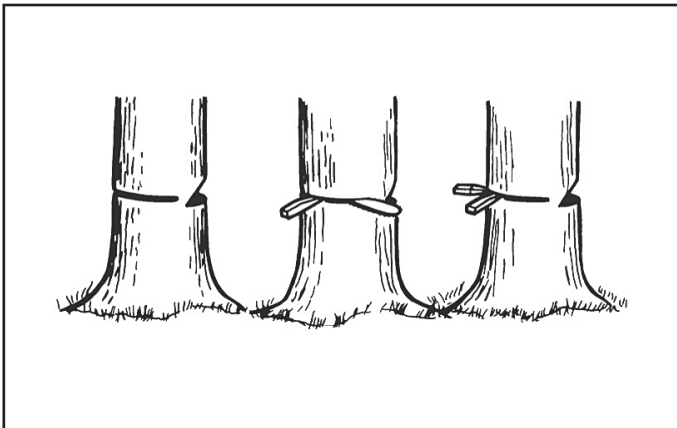


WARNING! Never walk in front of a tree that has been notched. Make the felling cut (D) from the other side of the tree and 1.5-2.0 inches (3-5cm) above the edge of the notch (C). Never saw completely through the trunk. Always leave a hinge. The hinge guides the tree. If the trunk is completely cut through, control over the felling direction is lost.

Insert a wedge or felling lever in the cut well before the tree becomes unstable and starts to move. This will prevent the guidebar from binding in the felling cut if you have misjudged the falling direction. Make sure no bystanders have entered the range of the falling tree before you push it over.



WARNING! Before making the final cut, always recheck the area for bystanders, animals or obstacles.



NOTE! The chainsaw is designed for occasional use by home owners, garden owners and campers and is for general work such as stump grubbing, cutting firewood, etc. It is not designed for lengthy use. If it is used for a lengthy period, the vibrations it causes in the hands of the user may result in circulation problems (white finger syndrome).



WARNING! Felling of trees is prohibited without the necessary training.



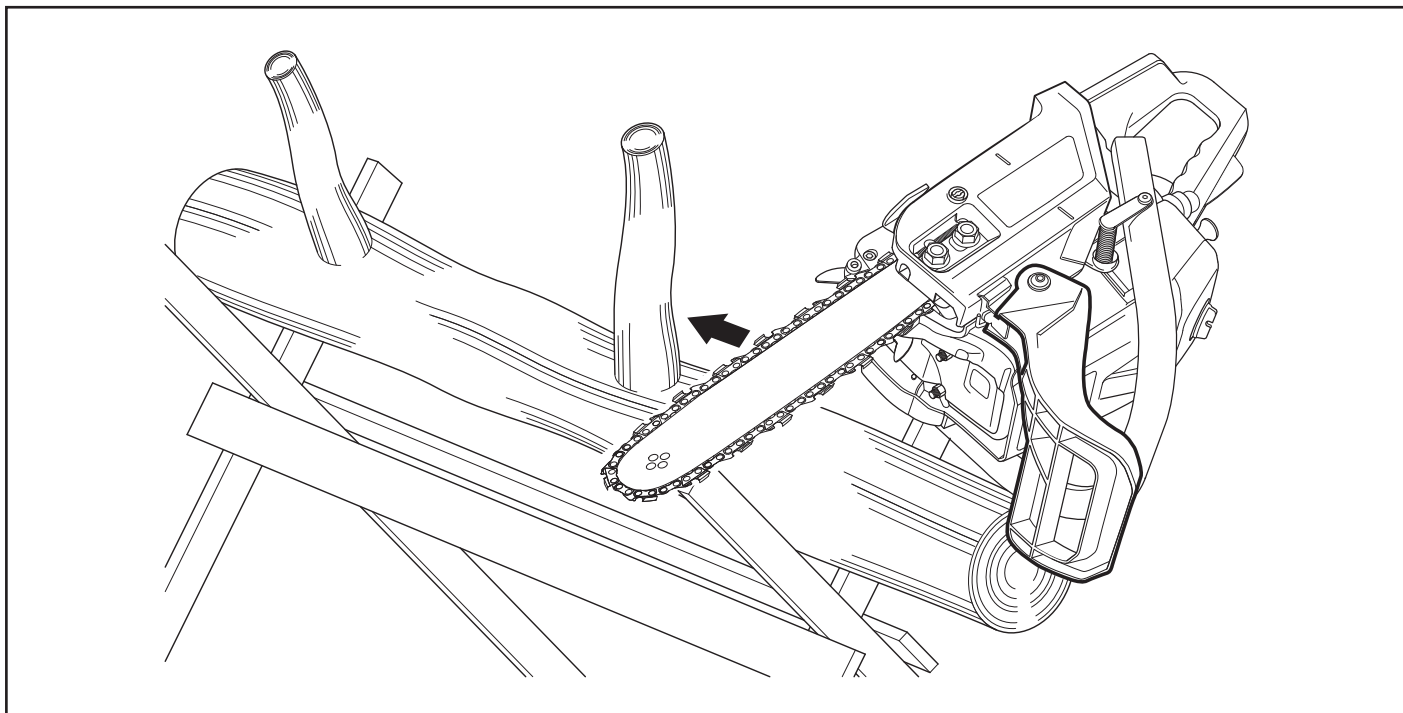
WARNING! Ensure that you frequently check the operation of the chainsaw Brake.



NOTE! 'Stop claw' is shown on page 4.

How to Use the Chainsaw

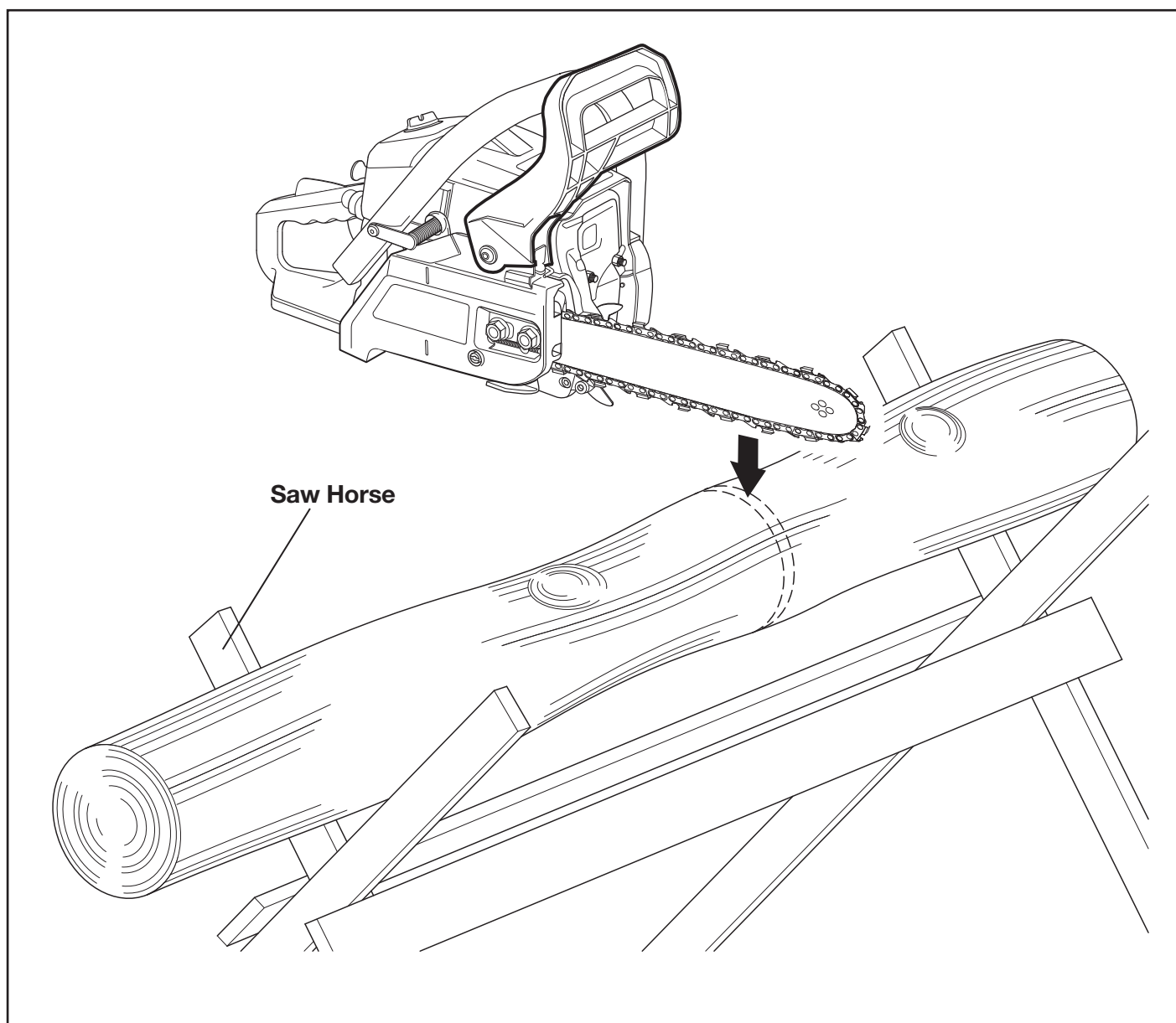
Limbing



This type of cut is used to remove small branches from a felled or fallen tree. Cuts can be made horizontally or vertically to the bottom of a branch. Usually limbing cuts are performed when a tree trunk has been cut into small manageable lengths using a bucking cut. Branches under tension should be cut from the bottom up to avoid binding the chainsaw.

How to Use the Chainsaw

Bucking



A bucking cut is used to cut a fallen or felled tree into small manageable lengths or logs. Usually the tree trunk will be supported at one end, both ends or along its entire length. Often this type of cut is performed using a sawhorse which provides all the required support to keep the trunk stable.



WARNING! This chainsaw must only be used for light domestic applications such as sawing wood in your own garden. It is not a commercial, trade or industrial product and must not be used for extended periods of time. Extended use may lead to circulatory problems. Always seek guidance and appropriate training before attempting to fell trees or perform sawing operations on large trees or tree stumps.



WARNING! Never cut tree limbs while standing on tree trunk.

Storing the Chainsaw

Step 1 - Storing the Chainsaw for Short Periods

The chainsaw can be stored for short periods of time (less than 30 days) without performing any storage maintenance. If the chainsaw is to be stored for longer than 30 days, carry out the storage maintenance instructions as described in the following section.

Before placing the chainsaw into storage, always carry out the following:

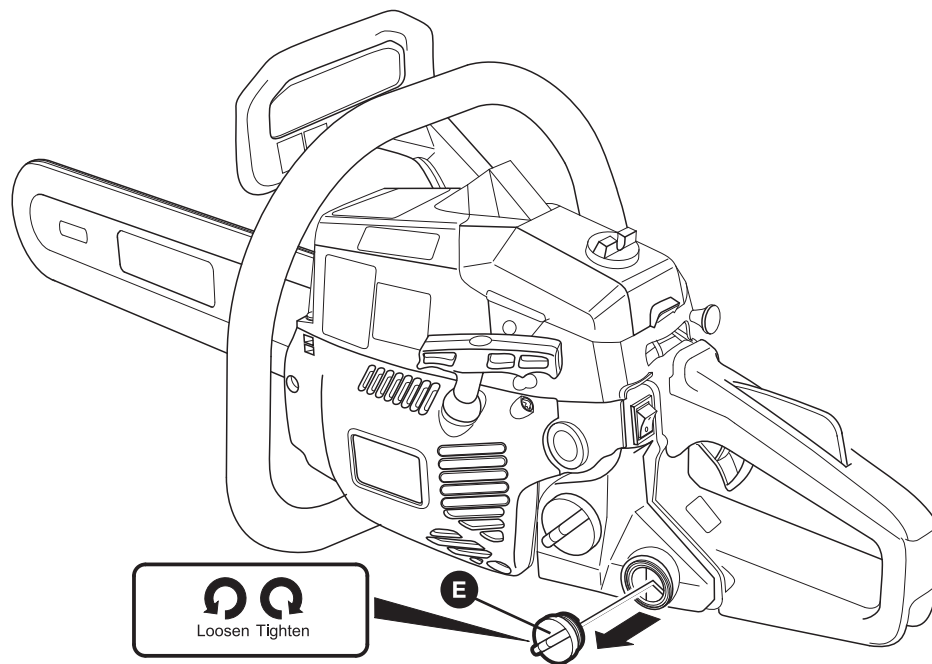
- Allow the chainsaw engine to fully cool.
- Ensure the saw chain and guide bar are clean, free from debris and fully lubricated.
- Cover the saw chain with the supplied protective cover.
- Store the chainsaw on flat and level surface with the chainsaw upright.
- Store in a safe place which is not accessible by children or people who are not familiar with its operation.



Store the unit in a dry place away from possible sources of ignition such as a furnace, gas hot water heater, gas dryer, etc.

Step 2 - Storing the Chainsaw for Extended Periods

2a



If the chainsaw is to be placed into storage for more than 30 days, storage maintenance must be performed on the chainsaw. If the following steps are not carried out, when you next operate the chainsaw it may not start correctly and may need to be serviced.

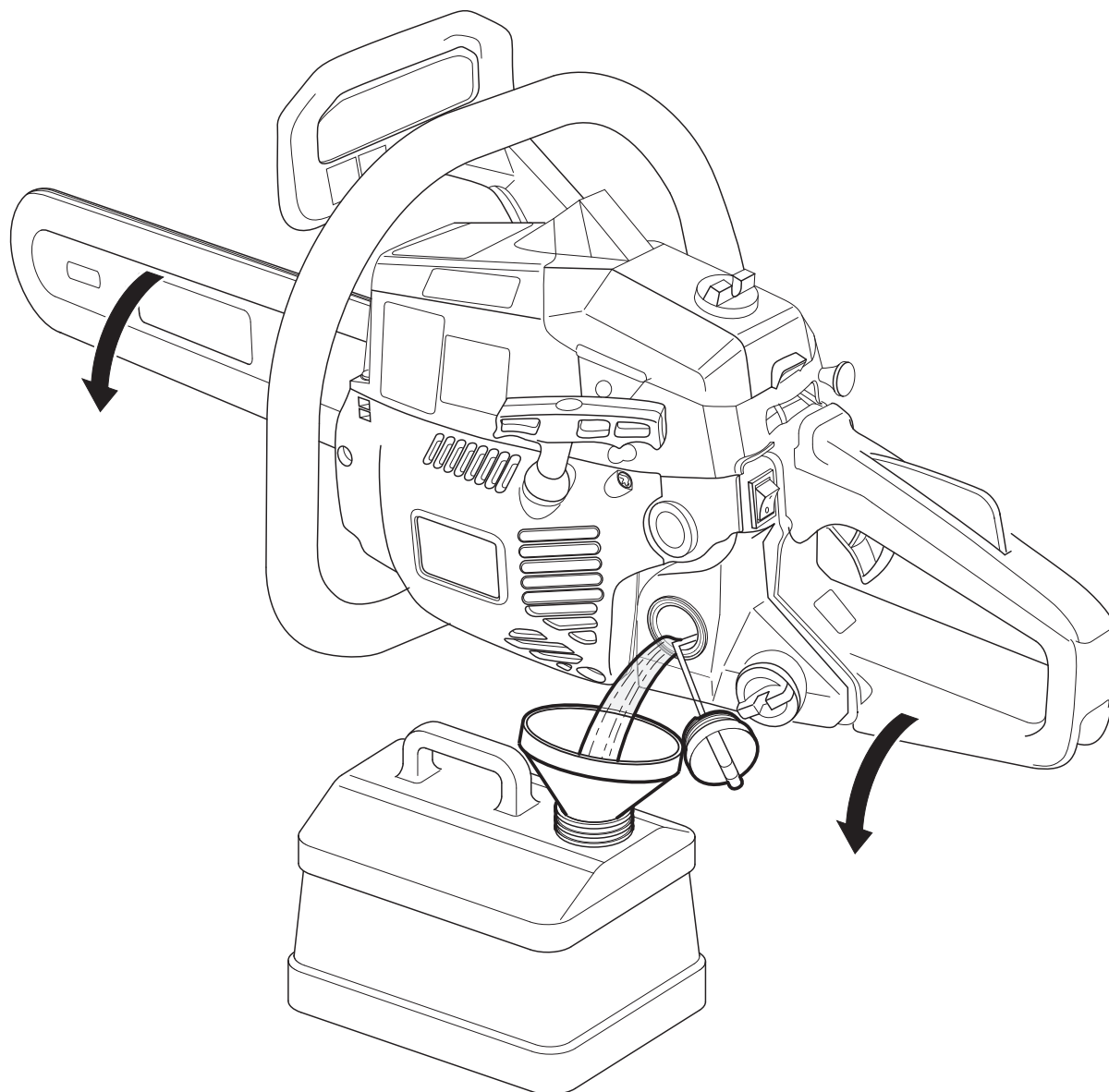
2a. Access the Fuel Tank

Remove the fuel tank cap **E** by unscrewing anti-clockwise.

Storing the Chainsaw

Step 2 - Storing the Chainsaw for Extended Periods (continued)

2b



2b. Drain the Fuel Tank



WARNING! Always store excess fuel/oil mixtures drained from the fuel tank in a suitable sealed container designed for the storage of flammable liquids.



WARNING! Before attempting to mix fuel and oil, always ensure all sources of ignition are removed i.e. naked flames.

Carefully lift and rotate the chainsaw so that the access hole to the fuel tank is facing downwards over a suitable funnel and container (not supplied).

Allow the excess fuel to drain into the funnel and container.

Storing the Chainsaw

Step 2 - Storing the Chainsaw for Extended Periods (continued)

2c. Start the Chainsaw

Start the chainsaw as described on page 23 and allow it to run until it stops. This will ensure any fuel in the carburettor is used.

2d. Oil the Combustion Chamber

Allow the engine to cool (approx. 5 minutes).

Remove the spark plug as described on page 42.

Carefully pour one teaspoon of clean unused 2-cycle oil into the combustion chamber.

Pull the starter cord several times to ensure the 2-cycle oil covers all the internal components.

Replace the spark plug as described page 42.

Before the chainsaw can be used following extended storage, the following procedures must be performed.



Store the unit in a dry place away from possible sources of ignition such as a furnace, gas hot water heater, gas dryer, etc.

Step 3 - Preparing the Chainsaw for Use Following Storage

3a. Remove the Spark Plug

Remove the spark plug as described page 37.

3b. Clear the Combustion Chamber

Pull the starter cord several times to ensure the 2-cycle oil is expelled from the combustion chamber.

3c. Check the Spark Plug Electrode Gap

Carefully clean the spark plug as described page 37 and ensure the electrode gap (approx. 0.6mm is correct).

3d. Refit the Spark Plug

Refit the spark plug as described page 42.

3e. Prepare the Chainsaw for Use

Prepare the chainsaw for use as described on page 15 to 20.

Maintenance

Maintenance Schedule

Performing routine maintenance correctly on your chainsaw will ensure you get years of trouble free use.

Please keep this manual safe for future reference.

It is recommended that the following maintenance schedule is adhered to. This will ensure the chainsaw operates correctly and is safe to use.

Some maintenance procedures must be performed by suitably qualified service technicians. These are indicated by the grey rows in the table.

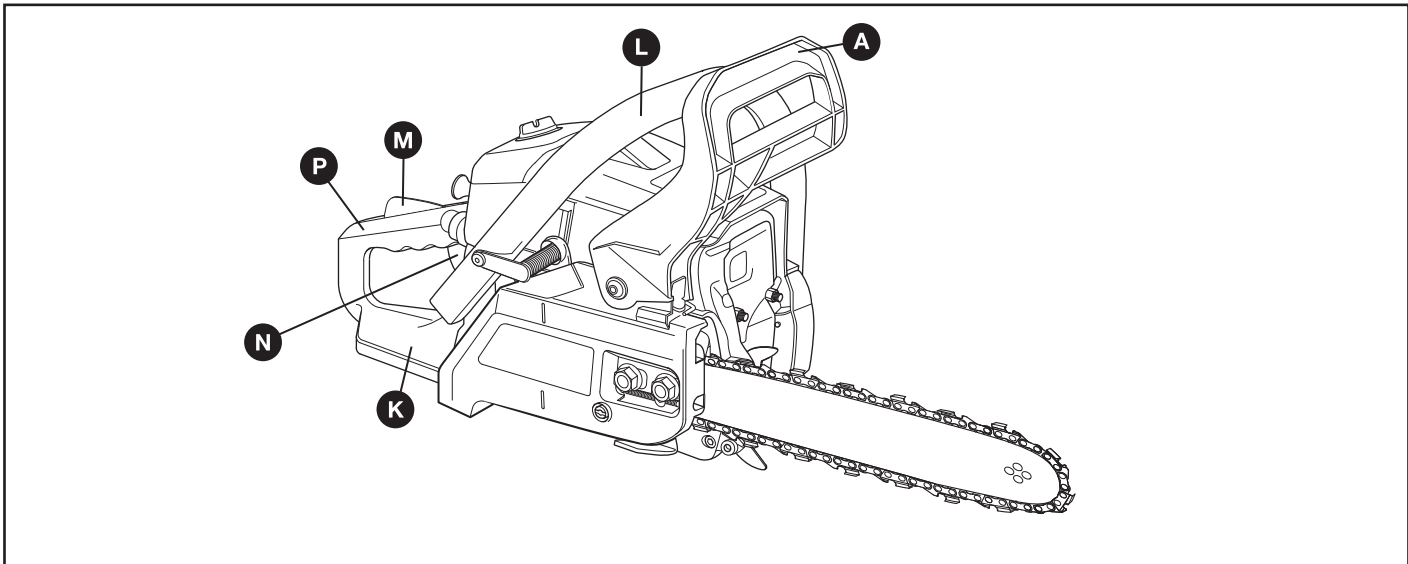
	Before each use	After 10 hours	After 50 hours	After 100 hours	After 300 hours
Check the chain brake	✓				
Check the air filter	✓				
Clean / replace the air filter			✓		✓ (1)
Clean / replace the fuel filter					
Visual inspection	✓				
Clean / replace the spark plug			✓ (2)		
Lubricate the guide bar		✓			
Reversing the guide bar		✓			
Check and adjust the carburettor throttle valve					✓
Clean the cylinder head					✓
Set the valve clearance					✓

(1) Change the filter element if necessary.

(2) Gap 0.6mm. Replace as necessary.

Maintenance

Step 1 - Operational Chain Brake Test



1a. Check the Chain Brake



WARNING! The chain brake can only reduce the possibility of serious personal injury if it is fitted in accordance with the instructions detailed in the Assembly Manual. If the chain brake is tampered with or the chainsaw is not used in accordance with these operating instructions i.e. careless operation, the risk of serious injury may still exist.



WARNING! If the chain brake fails the operational chain brake test, DO NOT use the chainsaw until it has been serviced and inspected by a suitably qualified technician.



CAUTION! If it proves difficult to move the chain brake lever into the required position, stop using the chainsaw immediately. It should be inspected by a suitably qualified service technician.



NOTE! It is recommended that the operational chain brake test is performed following any maintenance procedures.

Place the chainsaw on a firm level surface clear of debris or any objects which may come into contact with the saw chain while it is moving.

Place your right foot on the trigger plate **K** to keep the chainsaw stable while starting. Your left foot should be positioned so that it is clear of the chainsaw but still allows you to stand firmly.

Grasp the handle **L** firmly with your left hand.

Using your right hand pull the starter cord **J** (as shown in step 1f on page 20) slowly towards you until you feel resistance.

Ensuring that all parts of your body are away from the saw chain, rapidly pull the starter cord **J** slowly and release in a controlled manner. Up to six pulls may be required to start the chainsaw.

Grasp the rear handle **P** with your right hand while depressing the safety lever **M**.

Apply a small amount of pressure to the throttle lever **N**. While the chainsaw engine accelerates, apply pressure slowly and deliberately to the chain brake lever **A**.

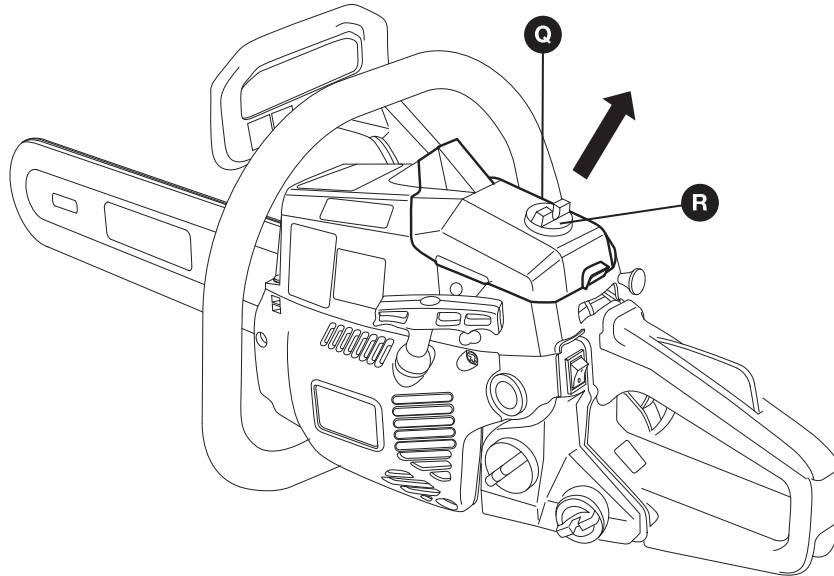
The saw chain should **STOP IMMEDIATELY**. Release the throttle lever **N**.

Move the ignition switch **G** to the lower 'STOP' (lower) position.

Maintenance

Step 2 - Clean / Replace the Air Filter

2a



2a. Remove the Air Filter Cover

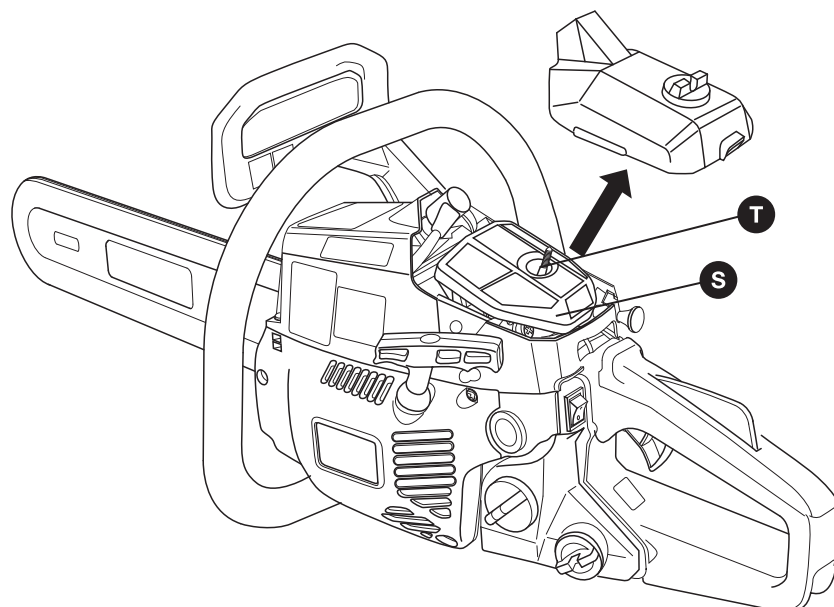
Unscrew the retaining cap **R** anti-clockwise.



NOTE! It is not possible to remove the retaining cap from the air filter cover. This is a captive component.

Carefully lift and remove the air filter cover **Q**.

2b



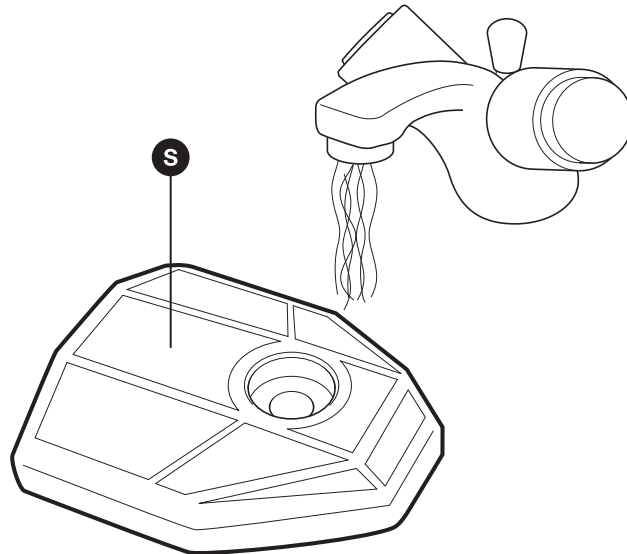
2b. Remove the Air Filter

Carefully lift the air filter **S** off the locating pin **T**.

Maintenance

Step 2 - Clean / Replace the Air Filter (continued)

2c



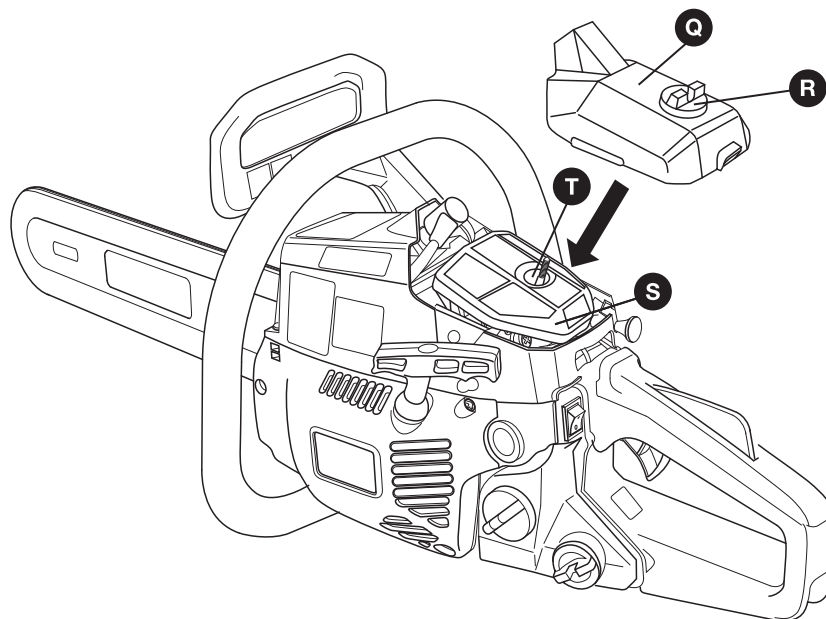
2c. Clean the Air Filter



NOTE! If the air filter is being replaced, there is no need to perform this step.

Clean the air filter **S** using clean, warm soapy water. The air filter **S** must be thoroughly rinsed and air dried before refitting it to the chainsaw.

2d



2d. Refit the Air Filter

Refit the air filter **S** to the chainsaw ensuring it is correctly positioned over the locating pin **T**.

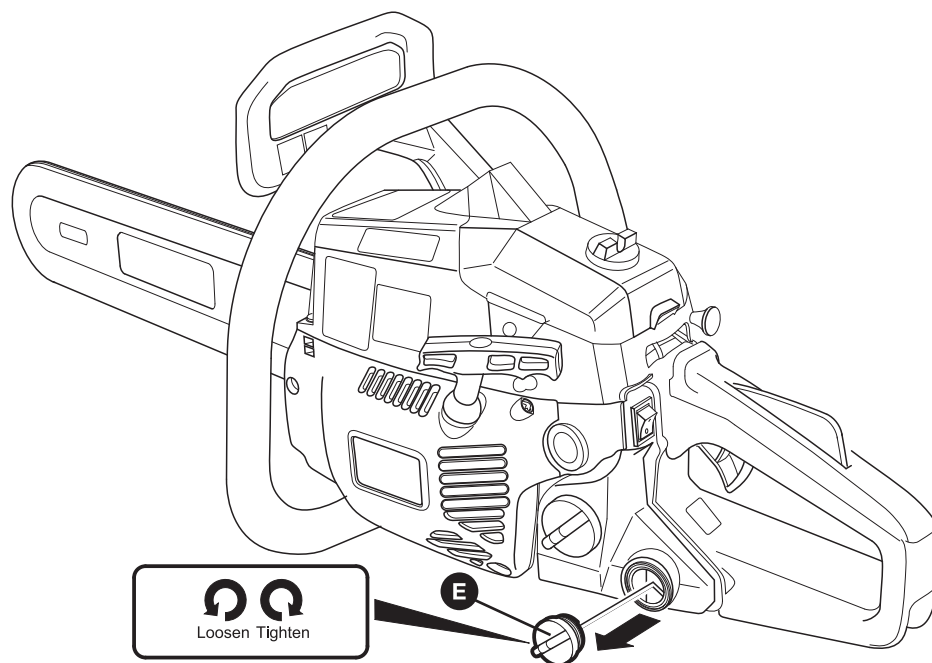
Refit the air filter cover **Q** to the chainsaw ensuring it is correctly seated on all sides.

Tighten the retaining cap **R** by turning clockwise. Do not over tighten the retaining cap **R** as this may cause damage to the air filter cover **Q** and retaining cap **R**.

Maintenance

Step 3 - Change / Replace the Fuel Filter

3a

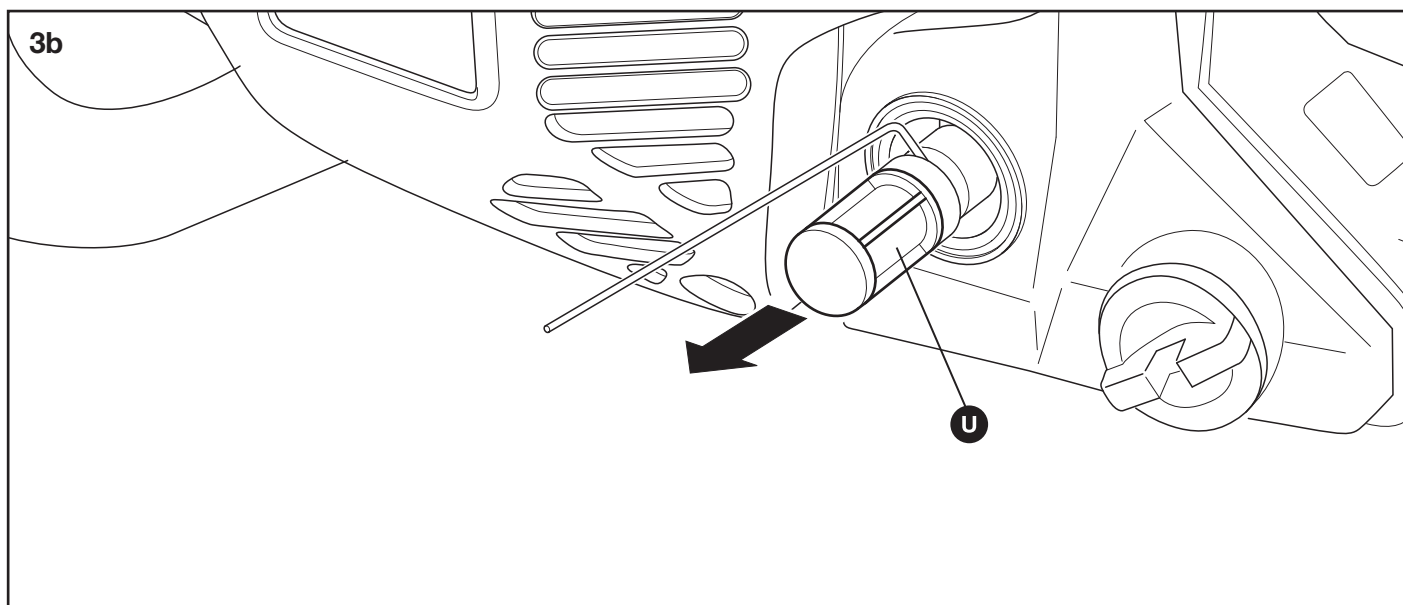


3a. Access the Fuel Tank

Remove the fuel tank cap **E** by unscrewing anti-clockwise.

Drain the fuel tank as described in step 2b on page 29.

3b



3b. Remove the Fuel Filter

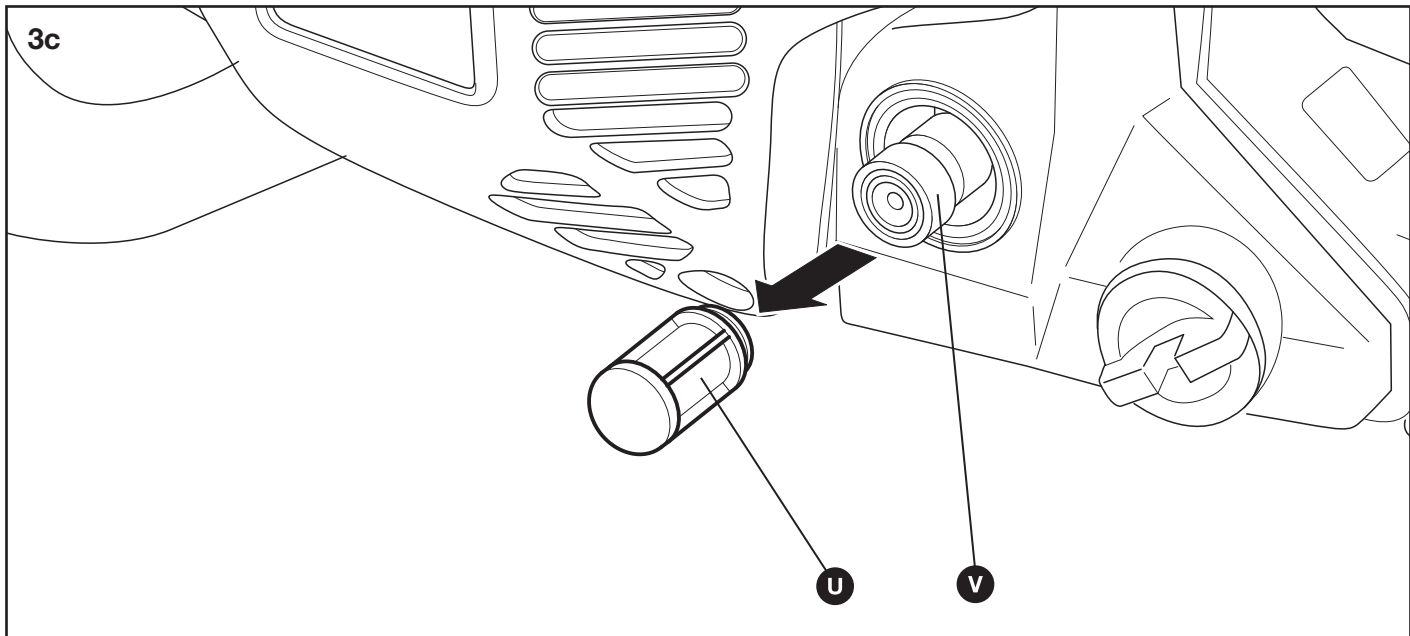
Using a piece of wire, for example a paper clip, form a long hook.

Use the hook to move the fuel filter **U** towards the front of fuel tank.

Using your fingers, carefully withdraw the fuel filter **U** from the fuel tank.

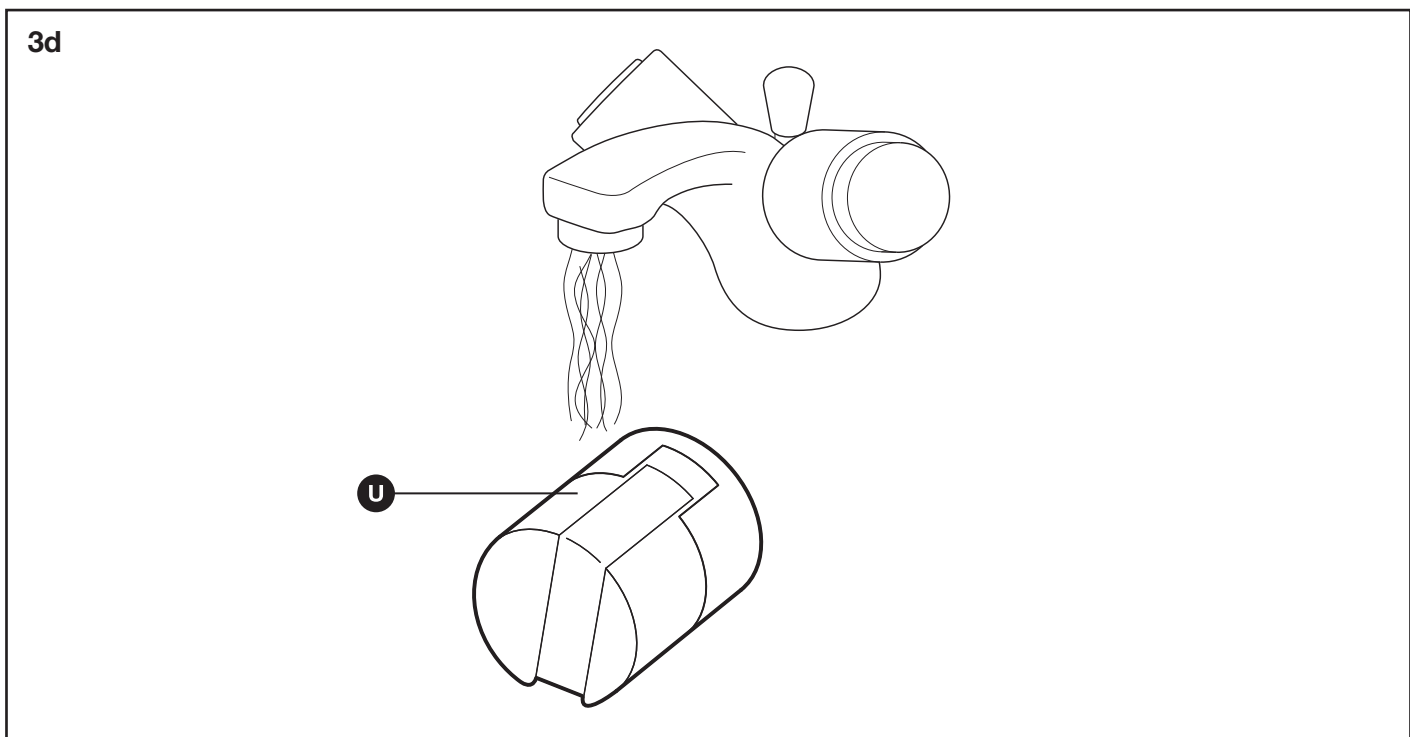
Maintenance

Step 3 - Change / Replace the Fuel Filter (continued)



3c. Separate the Fuel Filter

Carefully pull the fuel filter **U** off the fuel pipe **V** using a twisting action.



3d. Clean the Fuel Filter

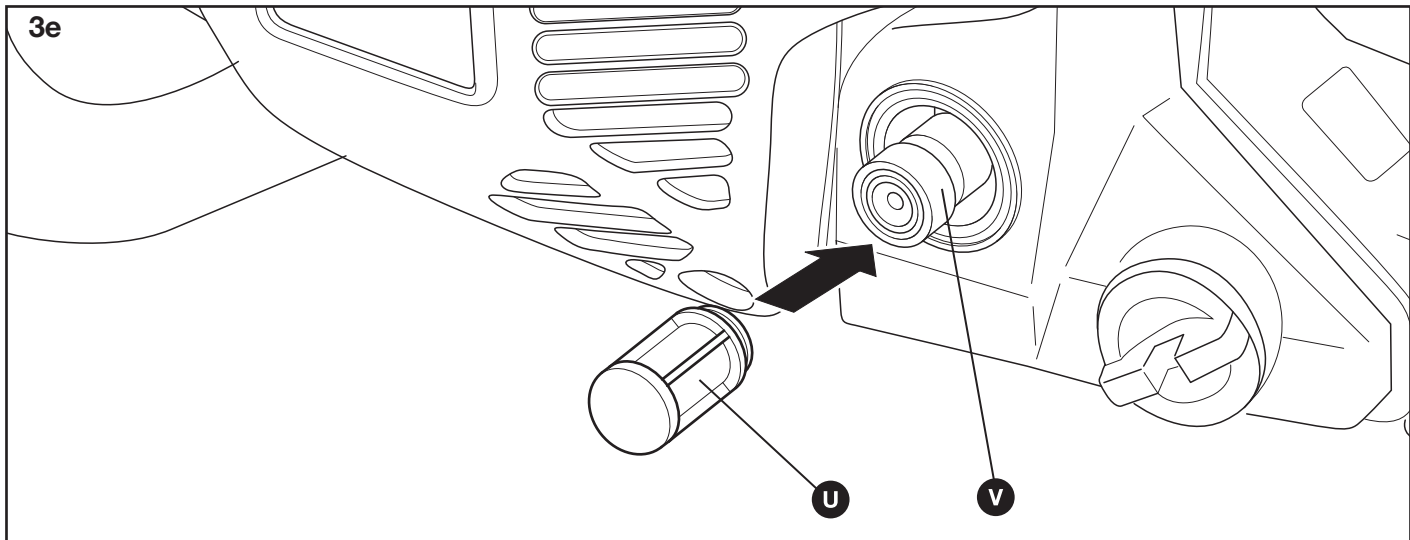


NOTE! If the fuel filter is being replaced, there is no need to perform this step.

Clean the fuel filter **U** using clean, warm soapy water. The fuel filter **U** must be thoroughly rinsed and air dried before refitting it to the chainsaw.

Maintenance

Step 3 - Change / Replace the Fuel Filter (continued)



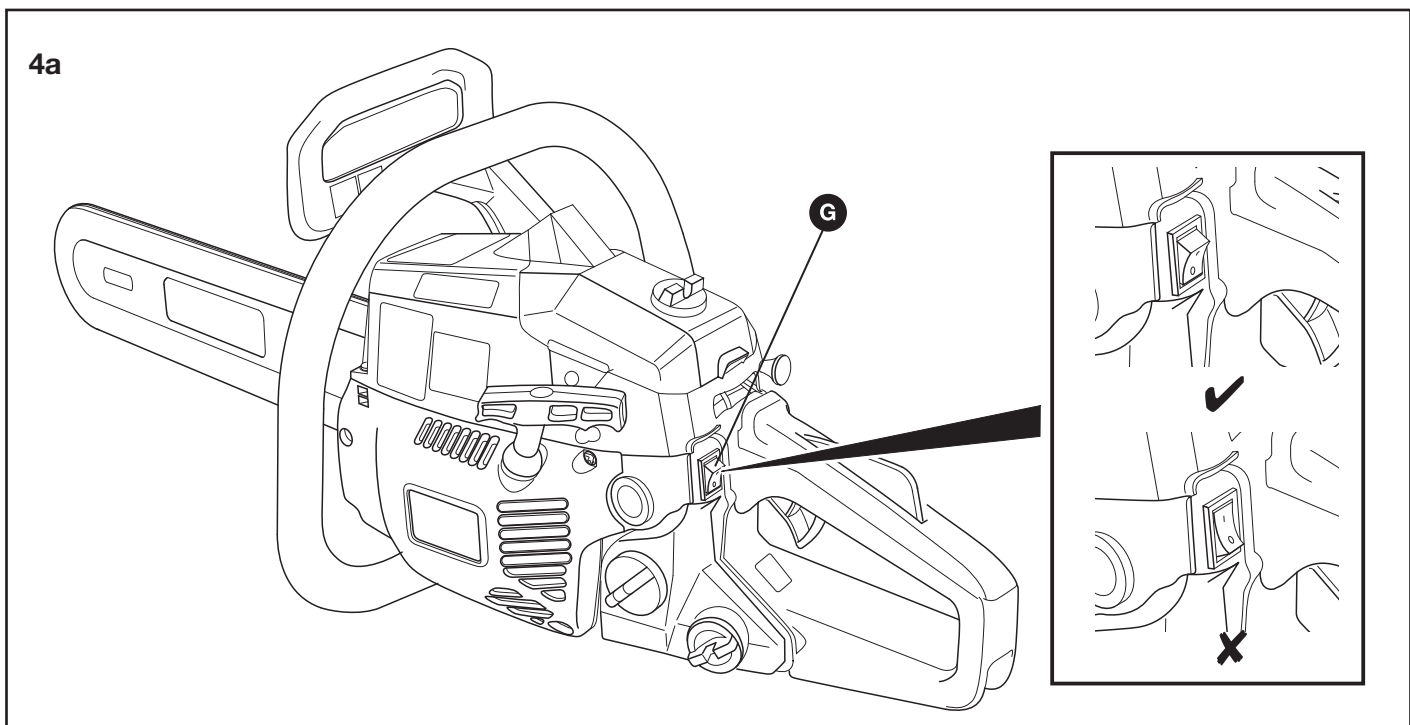
3e. Refit the Fuel Filter

Carefully fit the cleaned or replacement fuel filter **U** to the fuel pipe **V**.

Position the fuel filter **U** in the lower corner of the fuel tank. You may need to use a screwdriver to position the fuel filter **U** correctly.

Refill the fuel tank with a new mixture and replace the fuel cap as described in Step 3a on page 14.

Step 4 - Clean / Replace the Spark Plug



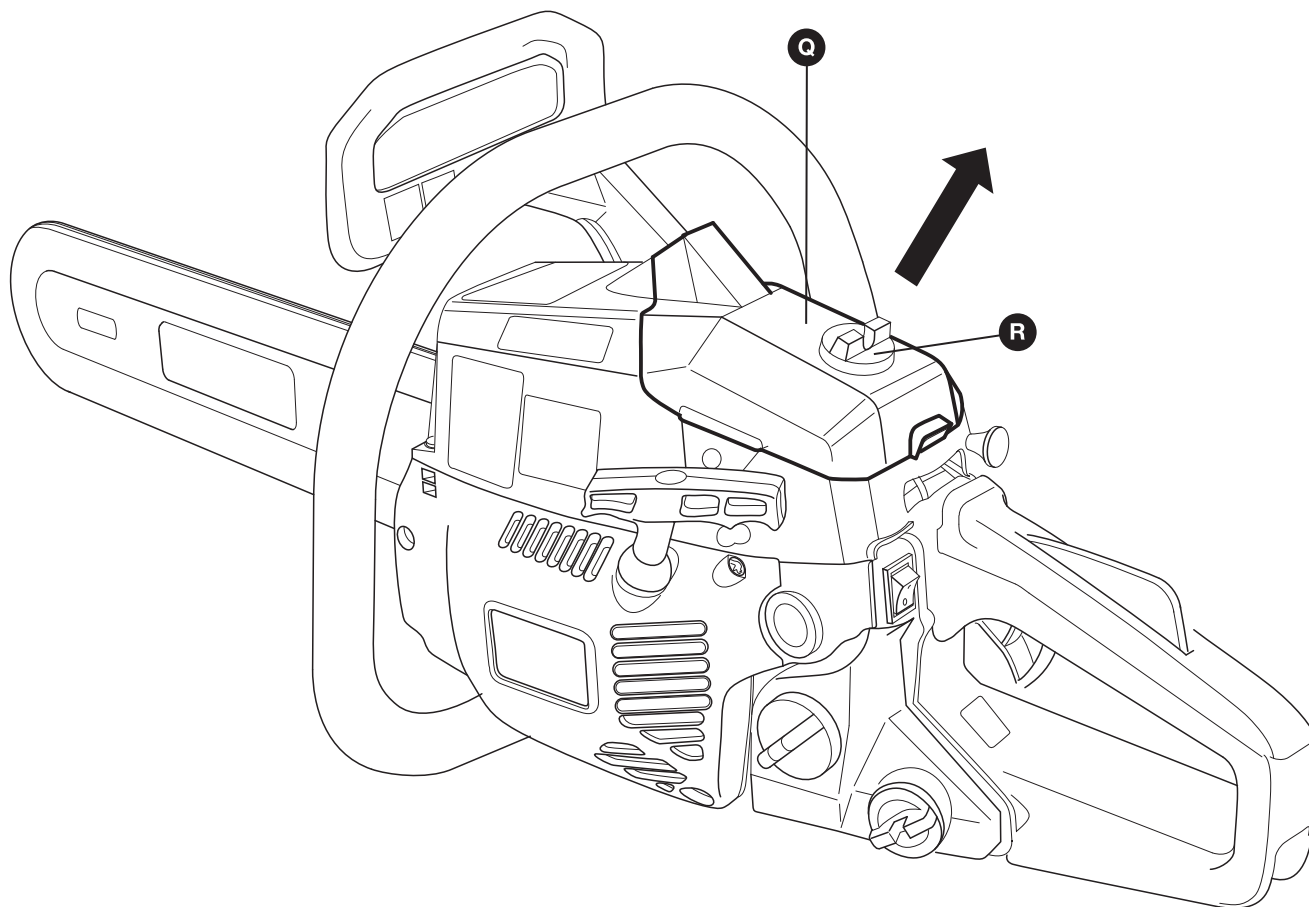
4a. Set the Ignition Switch to STOP

Move the ignition switch **G** to the lower STOP (OFF, "0") position.

Maintenance

Step 4 - Clean / Replace the Spark Plug (continued)

4b



4b. Remove the Air Filter Cover

Unscrew the retaining cap **R** anti-clockwise.



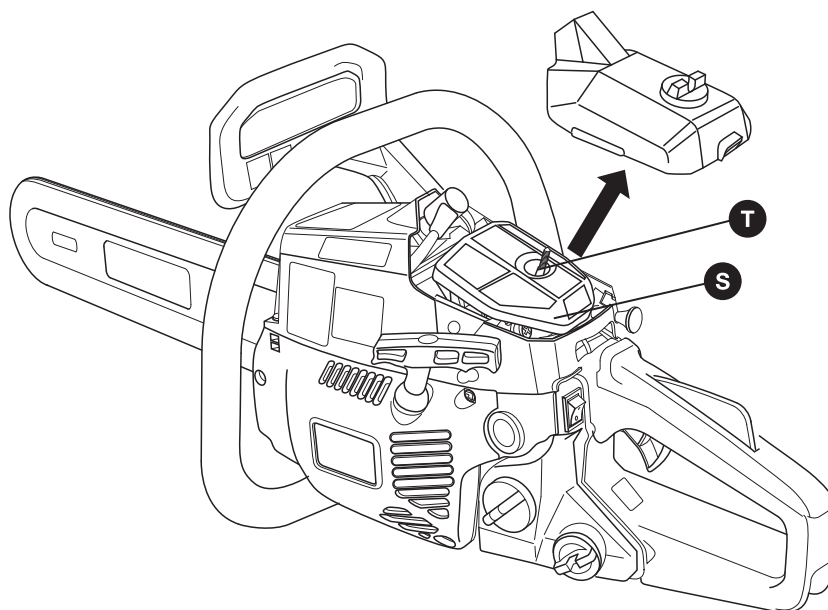
NOTE! It is not possible to remove the retaining cap from the air filter cover. This is a captive component.

Carefully lift and remove the air filter cover **Q**.

Maintenance

Step 4 - Clean / Replace the Spark Plug (continued)

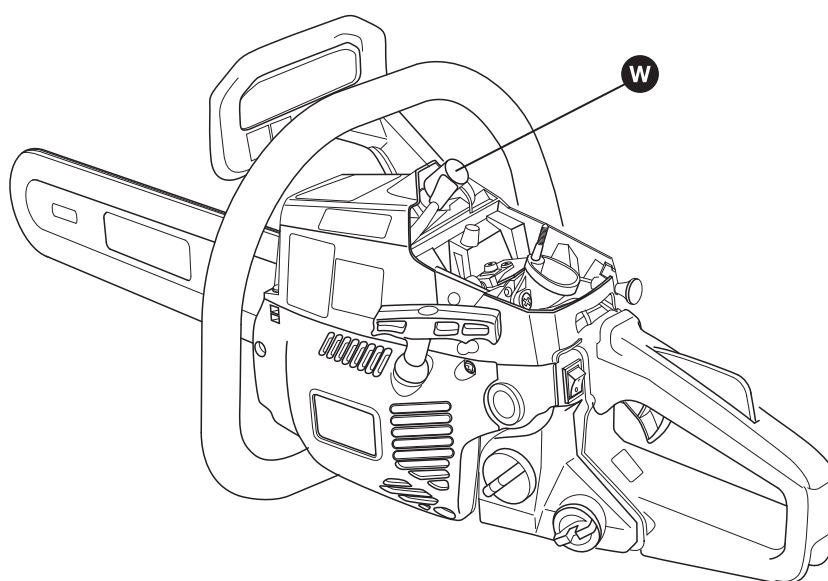
4c



4c. Remove the Air Filter

Carefully lift the air filter **S** off the locating pin **T**.

4d



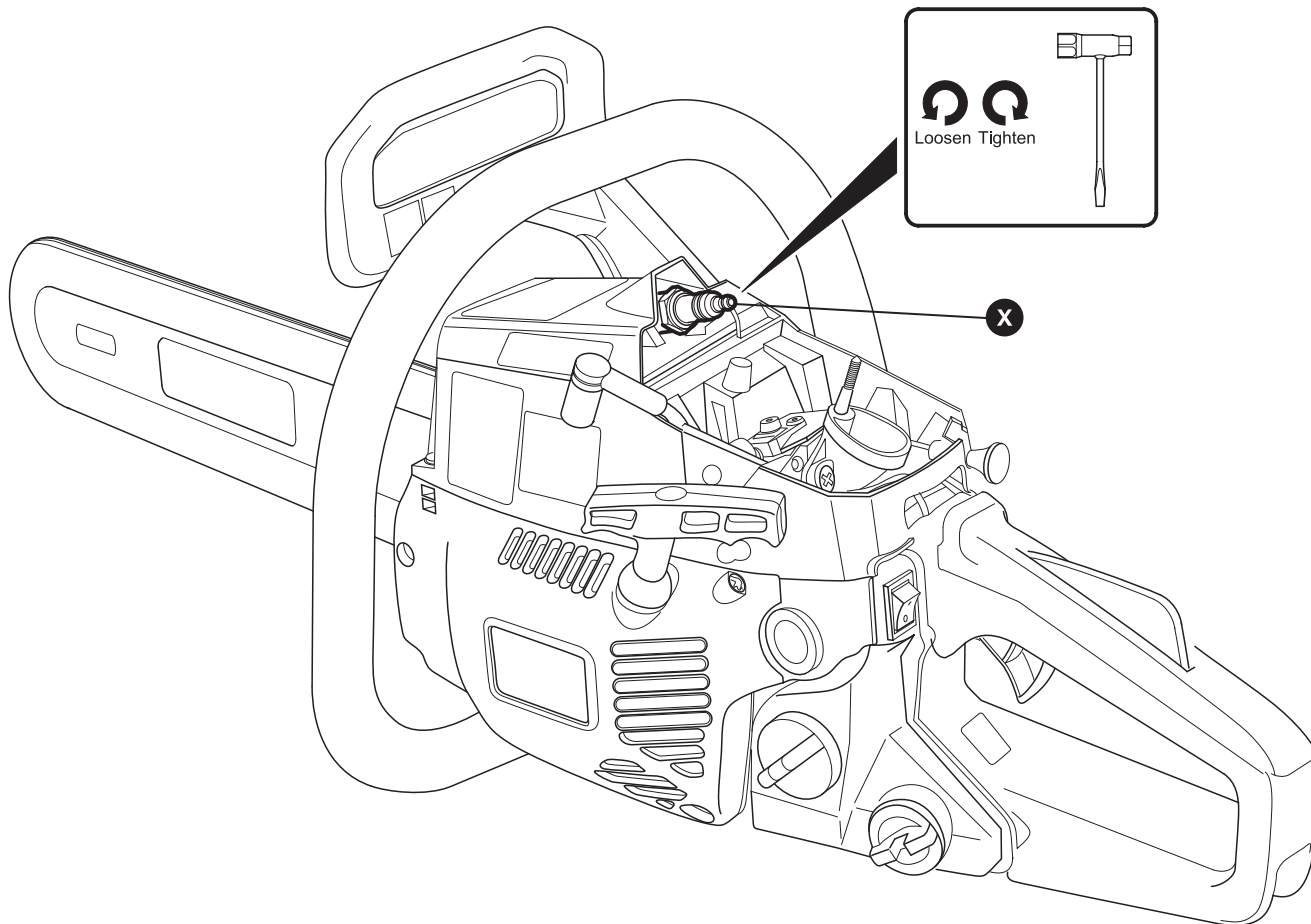
4d. Disconnect the Ignition Cable

Remove the ignition cable **W** from the spark plug by pulling backwards using a twisting action.

Maintenance

Step 4 - Clean / Replace the Spark Plug (continued)

4e



4e. Remove the Spark Plug



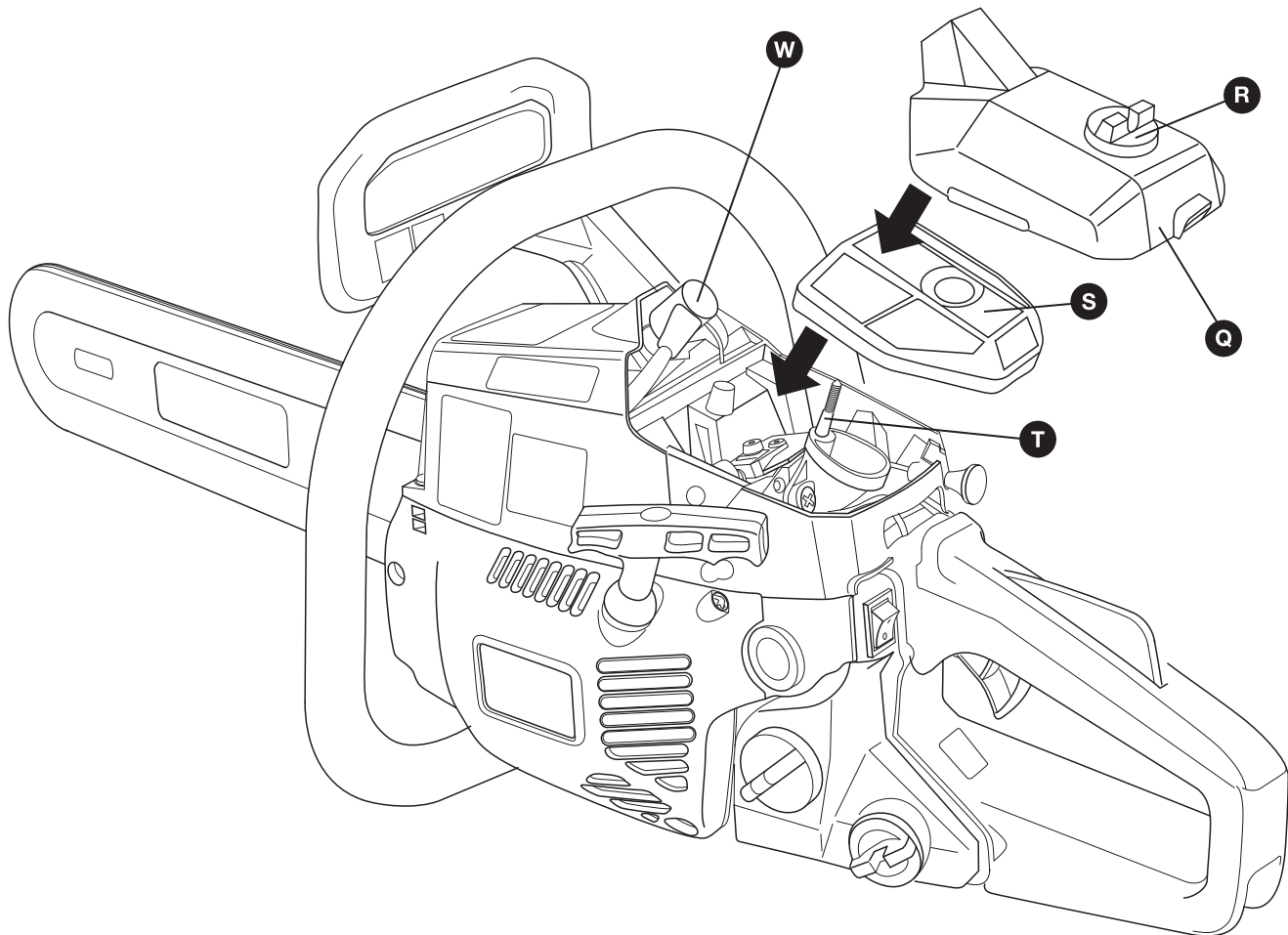
CAUTION! Only use the large end of the supplied multi tool to remove the spark plug. Using any other tool may damage the spark plug and/or the chainsaw engine.

Remove the spark plug **X** from the chainsaw engine using the large end of the supplied multi tool.

Maintenance

Step 4 - Clean / Replace the Spark Plug (continued)

4f



4f. Refit the Spark Plug



CAUTION! Only use the large end of the supplied multi tool to remove the spark plug. Using any other tool may damage the spark plug and/or the chainsaw engine.



NOTE! If the spark plug is not being replaced, clean the existing spark plug with a copper wire brush and check the electrode gap using suitable feeler gauges. The gap must be 0.6 mm.

Refit the spark plug **X** to the chainsaw engine using the large end of the supplied multi tool. Do Not overtighten the spark plug.

Refit the ignition cable **W** to the spark plug **X**. Ensure the ignition cable is fully seated on the end of the spark plug **X**.

Refit the air filter **S** to the chainsaw ensuring it is correctly positioned over the locating pin **T**.

Refit the air filter cover **Q** to the chainsaw ensuring it is correctly seated on all sides.

Tighten the retaining cap **R** by turning clockwise. Do not over tighten the retaining cap **R** as this may cause damage to the air filter cover **Q** and retaining cap **R**.

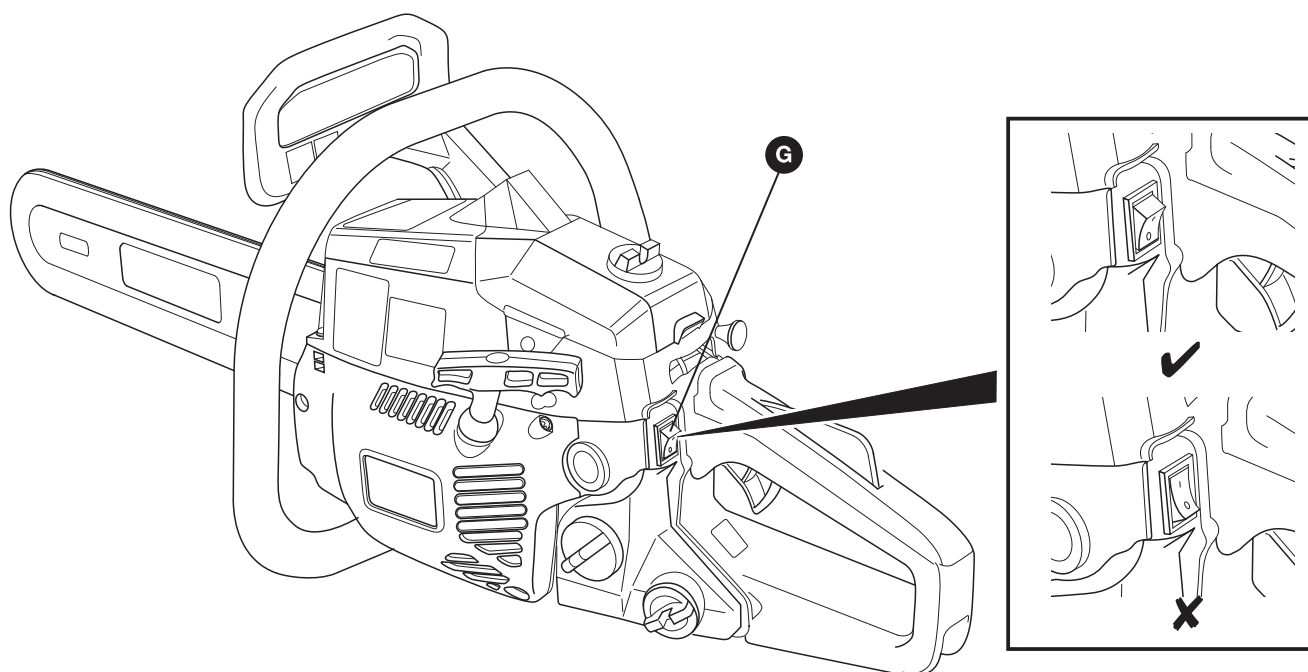
Maintenance

Step 5 - Carburettor Settings

The carburettor is factory set to the ideal setting for the chainsaw to operate efficiently. If the carburettor requires adjustment after extensive use, contact a suitably qualified service technician to inspect the chainsaw and make the necessary adjustments.

Step 6 - Lubricating the Sprocket Tips

6a



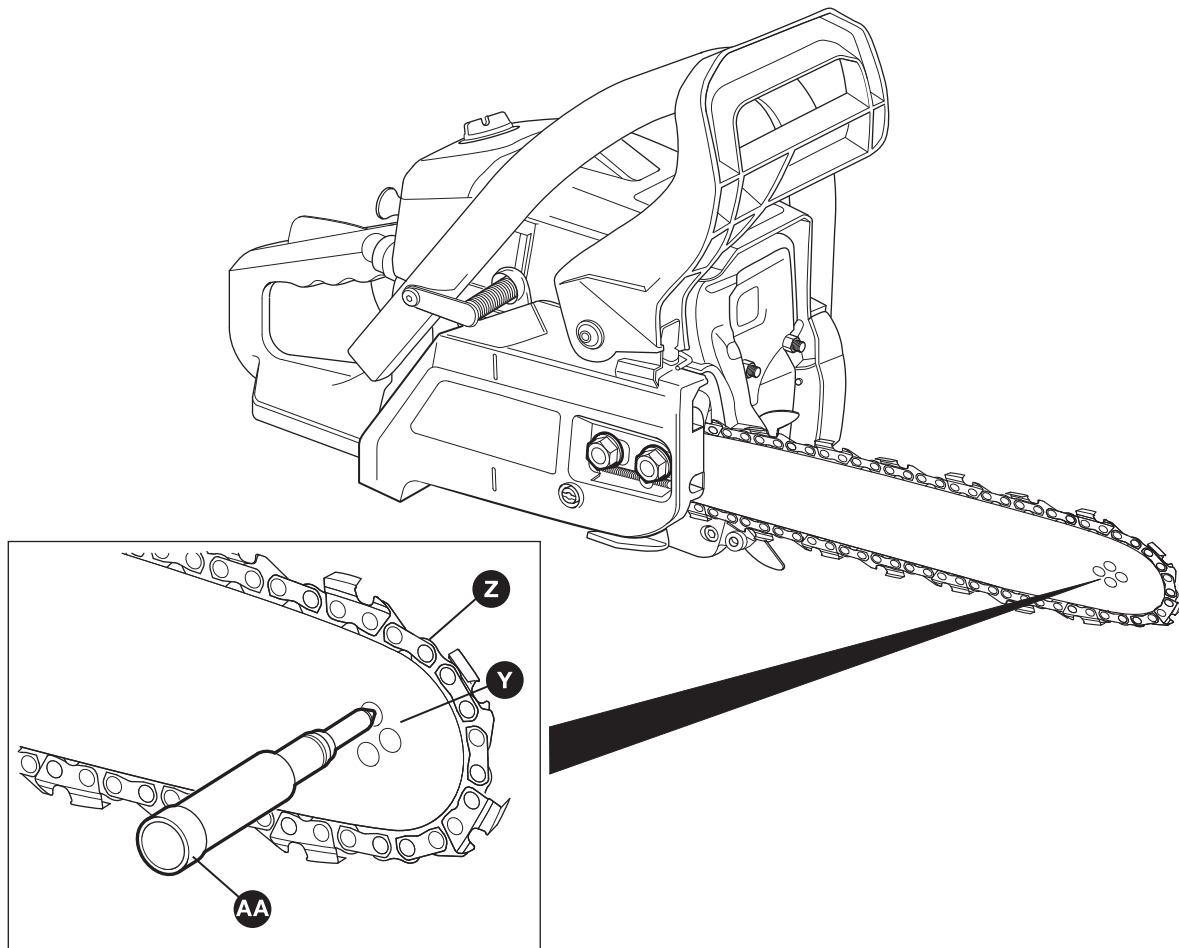
6a - Set the Ignition Switch to STOP

Move the ignition switch **G** to the 'STOP' (lower) position.

Maintenance

Step 6 - Lubricating the Sprocket Tips (continued)

6b



6b. Lubricating the Sprocket Tips



WARNING! Always wear suitable gloves when operating chainsaw to protect your hands from flying debris and/or sharp objects. It is particularly important to wear protective gloves when assembling or maintaining the saw chain.



CAUTION! Although the guide bar is pre-lubricated at the factory, it is essential that you regularly lubricate the guide bar in accordance with maintenance schedule. Failure to observe this caution will inhibit the performance of the chainsaw and may void your warranty.



NOTE! To lubricate the guide bar you will need a suitable grease gun with a long thin needle nose (not supplied). This is not supplied with the chainsaw and must be sourced from a suitable supplier.



NOTE! The guide bar sprocket tips can be lubricated without disassembling the chainsaw.

Using a wire brush, remove any debris from both the saw chain **Z** and guide bar **Y**.

Insert the nose of the grease gun **AA** into the upper lubricating hole of the guide bar **Y**. Pump grease into the lubricating hole until excess grease appears on the edge of the sprocket tip.

Using a gloved hand, slowly rotate the saw chain until the next sprocket tip is exposed.

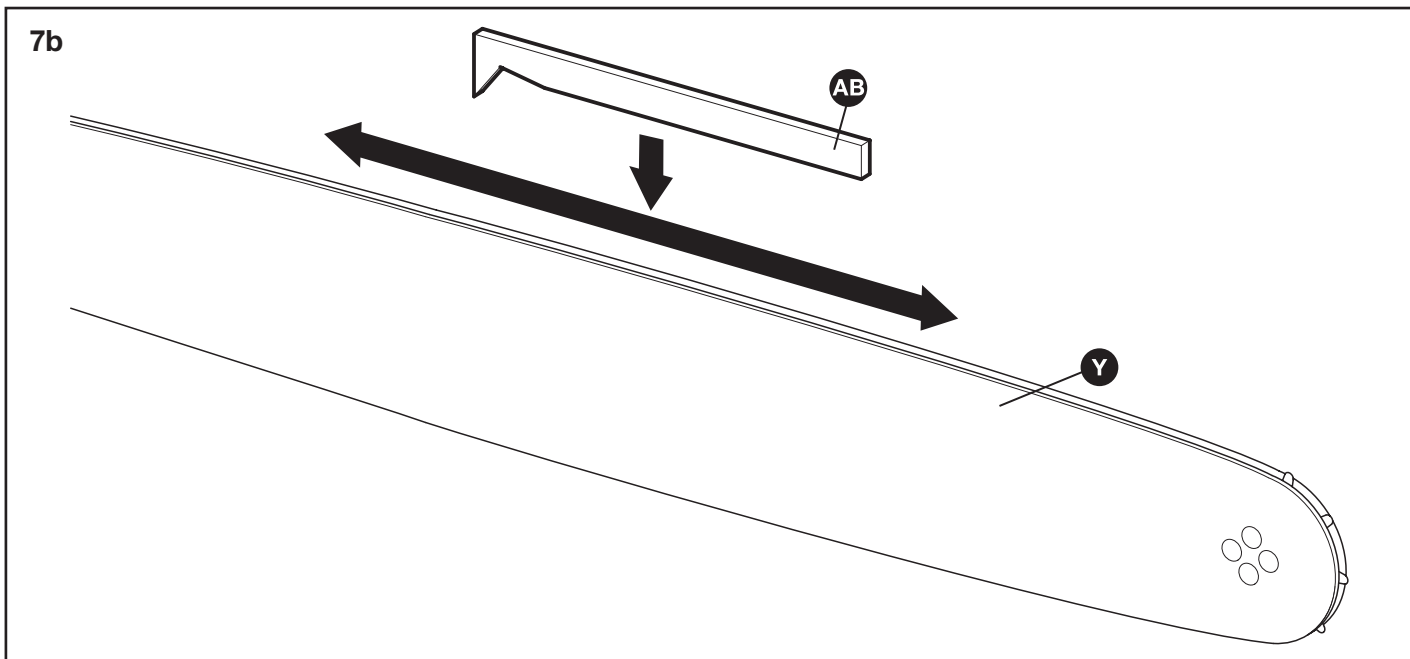
Repeat the greasing procedure described above. Keep rotating and greasing the sprocket tips until they are all fully greased.

Maintenance

Step 7 - Reversing the Guide Bar

7a. Remove the Guide Bar

The guide bar must be completely removed from the chainsaw. To do this, reverse the procedures described in the assembly manual.



7b. Clean the Guide Bar



NOTE! To clean the guide bar, you will need a bar scraper. This is not supplied with the chainsaw and must be sourced from a suitable supplier.

Using a bar scraper **AB**, remove any trapped debris from the grooves at the top and bottom of the guide bar **Y**.

If necessary remove any burrs or sharp edges using a flat file.

7c. Reverse the Guide Bar

Refit the guide bar **Y** to the chainsaw as described in the assembly manual. Take care to ensure that the guide bar is inverted before reassembling.

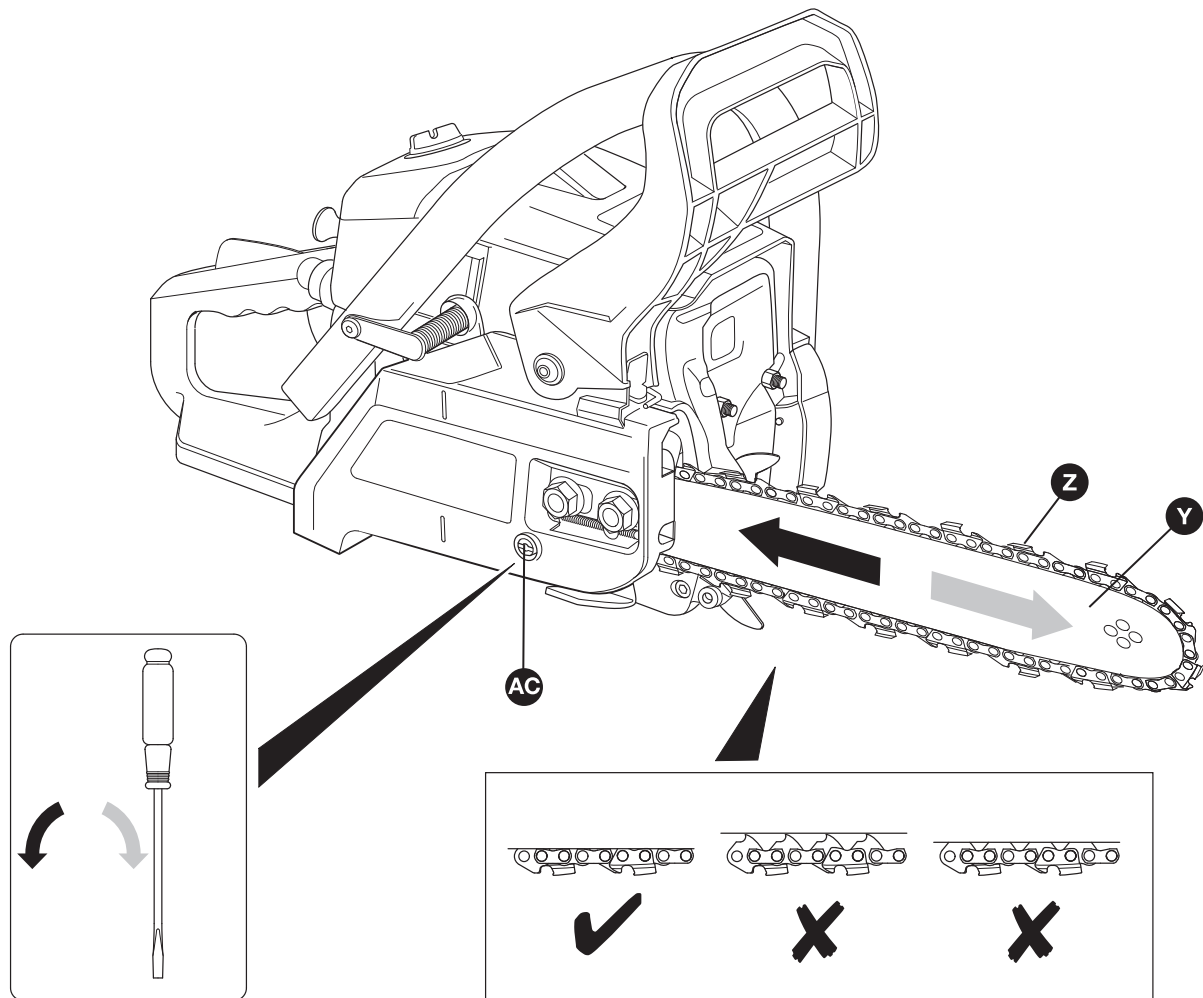
Step 8 - Adjusting the Automatic Chain Lubricator

The automatic chain lubricator is factory set to the ideal setting for the chainsaw to operate efficiently. If the automatic chain lubricator requires adjustment after extensive use, contact a suitably qualified service technician to inspect the chainsaw and make the necessary adjustments.

Maintenance

Step 9 - Check the Saw Chain Tension

9a



9a. Check the Saw Chain Tension



CAUTION! It is essential that the correct saw chain tension is maintained. This will ensure that the saw chain **Z**, drive sprocket, guide bar **Y** and engine do not wear prematurely.



WARNING! Always wear suitable gloves when operating chainsaw to protect your hands from flying debris and/or sharp objects. It is particularly important to wear protective gloves when assembling or maintaining the saw chain.

Using a screwdriver, turn the tension adjustment screw **AC** clockwise or anti-clockwise to adjust the saw chain **Z** tension.

Turn the tension adjustment screw **AC** anticlockwise to decrease the tension.

Turn the tension adjustment screw **AC** clockwise to increase the tension.

The saw chain must fit snugly all the way around the guide bar **Y** as shown.

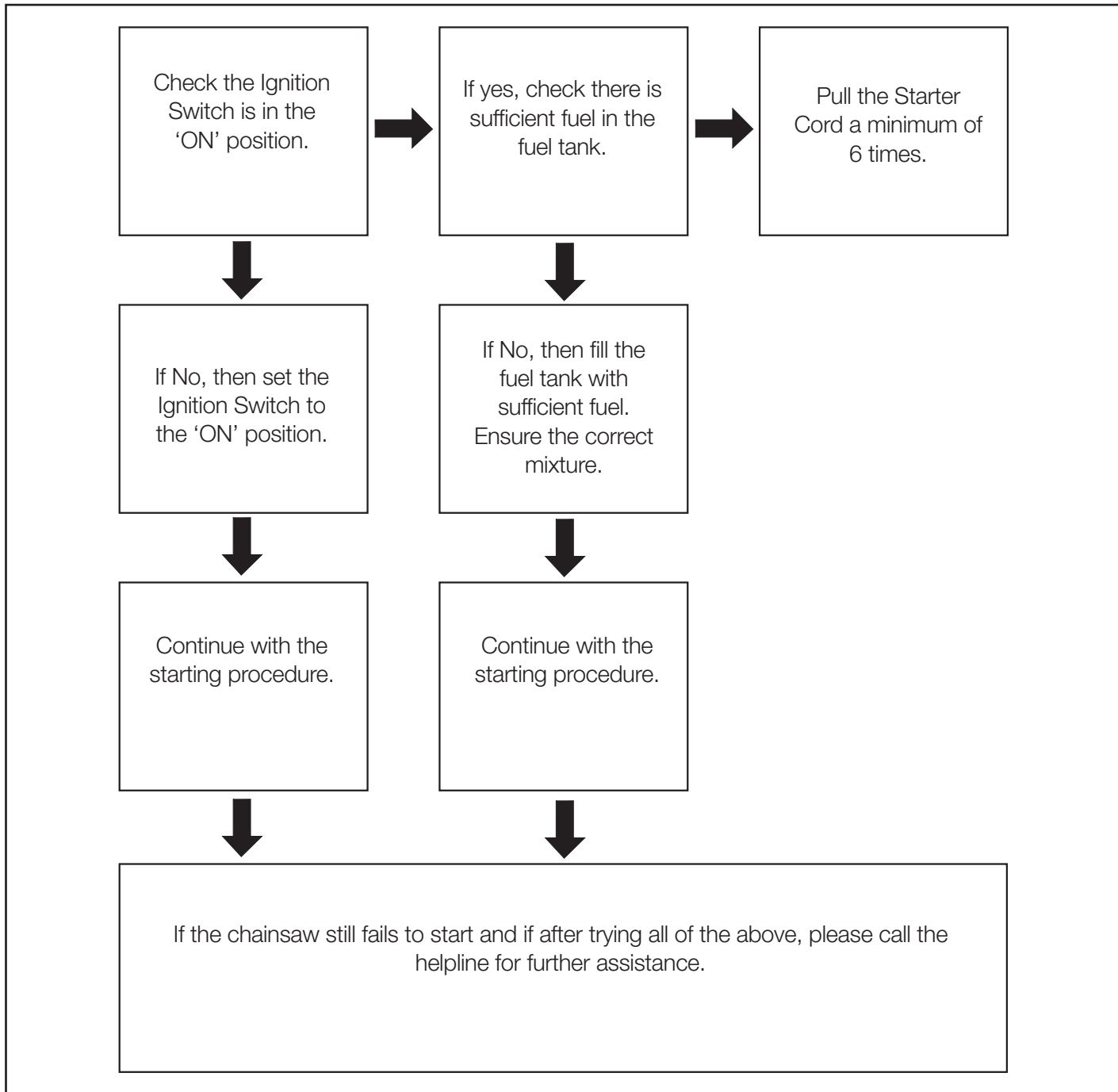
Using a gloved hand, ensure the saw chain **Z** is free to move. If the saw chain **Z** does not move, decrease the tension.

Maintenance

Step 10 - Sharpening the Saw Chain

If the cutting performance of the chainsaw deteriorates, the saw chain may need sharpening or replacing. Please contact the customer helpline for support.

General Troubleshooting



The following table provides solutions to common problems encountered with the chainsaw.

Fault	Possible Cause	Solution
Chainsaw will not start or starts but will not run.	The chainsaw has not been started correctly.	Start the chainsaw as described on page 21.
	The carburettor setting is incorrect.	Please contact the Customer Helpline on 0151 649 1500
	The spark plug is fouled.	Inspect the spark plug electrode gap using suitable feeler gauges as described on page 42. Alternatively clean the spark plug using a wire brush (not supplied).
	The fuel filter clogged.	Clean or replace the fuel filter as describe on page 40.
	The chain brake is engaged.	Disengage the chain brake as described on page 15.
The chainsaw starts but the power levels are low.	The air filter is dirty.	Clean or replace the air filter as describe on page 38.
	The carburettor setting is incorrect.	Please contact the Customer Helpline on 0151 649 1500.
The chainsaw engine hesitates.	The carburettor setting is incorrect.	Please contact the Customer Helpline on 0151 649 1500.
The chainsaw power levels are low when sawing or cutting.	The spark plug is fouled.	Inspect the spark plug electrode gap using suitable feeler gauges as described on page 42. Alternatively clean the spark plug using a copper wire brush (not supplied).
The chainsaw runs inconsistently	The carburettor setting is incorrect.	Please contact the Customer Helpline on 0151 649 1500
The chainsaw produces excessive smoke while running.	The fuel and oil mixture is incorrect.	Ensure the fuel mixture is correct as described on page 17.

Fault	Possible Cause	Solution
The chainsaw fails to cut or saw correctly.	The saw chain is blunt.	Please contact the Customer Helpline on 0151 649 1500
	The saw chain is loose.	Adjust the saw chain tension as described on page 50.
The chainsaw engine stops abruptly.	The fuel tank is empty.	Fill up the fuel tank as described on page 19.
	The fuel filter is located incorrectly in the fuel tank.	Ensure the fuel filter is positioned correctly in the fuel tank as described on page 40.
The saw chain and guide bar become excessively hot and discoloured during use.	There is insufficient lubrication due to an empty oil tank.	Refill the oil tank as described on page 20.
	The oil lubrication openings are blocked.	Clean the guide bar as described on page 49.

Useful Information

Useful Information

Type of Machine	SPJCS 3740/1
Article Number of Machine	4501643
Identification Number of Machine	11011



NOTE! The chainsaw is designed for occasional use by home owners, garden owners and campers and is for general work such as stump grubbing, cutting firewood, etc. It is not designed for lengthy use. If it is used for a lengthy period, the vibrations it causes in the hands of the user may result in circulation problems (white finger syndrome).

Manufacturer: ISC GmbH, International Service Center, Eschenstraße 6, 94405, Landau/Isar, Germany

Technical Data

Technical Data Table

Property	Value
Engine displacement	37.2 cm ³
Maximum engine capacity	1.2 kW
Cutting length	37 cm
Guide bar length	16" (40 cm)
Chain pitch	(3/8") 10 mm
Chain thickness	(0.05") 1.27 mm
Idling speed	3200 min ⁻¹
Maximum speed with cutting equipment	11,000 min ⁻¹
Tank capacity	310 ml
Oil tank capacity	210 ml
Anti-vibration function	Yes
Chain wheel teeth	6 x 9.525 mm
Chain brake	Yes
Clutch	Yes
Automatic chain lubrication	Yes
Low-kickback chain	Yes
Net weight without chain and chain bar	4.55 kg
Net weight (dry)	5.22 kg
Fuel consumption (specific)	560 g / kWh
LpA sound pressure level	100 dB(A)
LWA sound power level	112 dB(A)
Uncertainty KpA	2.5 dB(A)
Uncertainty Khv	1.5 m/s ²
Vibration a ^{hv} (front handle) max.	5.46 m/s ²
Vibration a ^{hv} (rear handle) max.	6.21 m/s ²
Chain type	OREGON (91PO57X)/ CARLTON (N1C-BL-57E-SK B)
Bar type	OREGON (160SDEA041)/ QIRUI (PO16-50SR)
Spark plug	L8RTF

Disposal

Disposal Instructions

The chainsaw and its accessories are made of various recyclable materials. Dispose of the chainsaw in accordance with your local recycling regulations.

Guarantee

Dear Customer,

In the unlikely event that your device develops a fault, please contact our Customer service department on the telephone number shown below.

1. These guarantee terms cover additional guarantee rights and do not affect your statutory warranty rights. Claims must be accompanied by Proof of purchase. This must be in the form of a Sales receipt or Bank statement and must show that the product has been purchased within 2 years prior to the claim from the retailer that it was originally sold to.
2. Our guarantee covers problems caused by material or manufacturing defects, and will result in the repair of these defects or replacement of the device with a like for like or similar article. Please note that our devices have not been designed for use in commercial, trade or industrial applications or for other equivalent activities.
3. The following are also excluded from our guarantee:
 - Faults due to accidents, customer misuse, or unauthorised repairs.
 - Consumable Parts such as Blades/Chains/Trimmer lines/Spools/Vacuum Bags/Spark Plugs or Filters.
 - Failure due to lack of routine maintenance.
 - Failure as a result of not using the equipment in accordance with the manual and safety instructions.
 - The adjustment or lubrication cables, drive belts, or recoil starters.
4. The guarantee is valid for a period of 2 years starting from the purchase date of the device. Guarantee claims should be submitted before the end of the guarantee period within two weeks of the defect being noticed. No guarantee claims will be accepted after the end of the guarantee period. The original guarantee period remains applicable to the device even if repairs are carried out or parts are replaced. In such cases, the work performed or parts fitted will not result in an extension of the guarantee period, and no new guarantee will become active for the work performed or parts fitted. This also applies when an on-site Service is used.
5. Please keep sales receipt in a safe place. If the defect is covered by our guarantee your device will either be repaired under the terms of guarantee or we will send you a replacement device. This device may be re-conditioned or Like for like replacement.

Home Retail Group
489-499 Avebury Boulevard,
Saxon Gate West,
Central Milton Keynes
MK9 2NW

After Sales Support

UK/Ireland	0151 649 1500
Republic of Ireland	1890 946 244
Web	www.einhell.co.uk

Declaration of Conformity

ISC GmbH · Eschenstraße 6 · D-94405 Landau/Isar



Declaration of Conformity

- | | |
|--|--|
| <ul style="list-style-type: none"> <input type="checkbox"/> erklårt folgende Konformität gemäß EU-Richtlinie und Normen für Artikel <input type="checkbox"/> explains the following conformity according to EU directives and norms for the following product <input type="checkbox"/> déclare la conformité suivante selon la directive CE et les normes concernant l'article <input type="checkbox"/> dichiara la seguente conformità secondo la direttiva UE e le norme per l'articolo <input type="checkbox"/> verklaart de volgende overeenstemming conform EU richtlijn en normen voor het product <input type="checkbox"/> declara la siguiente conformidad a tenor de la directiva y normas de la UE para el artículo <input type="checkbox"/> declara a seguinte conformidade, de acordo com a directiva CE e normas para o artigo <input type="checkbox"/> attererer følgende overensstemmelse i medfør af EU-direktiv samt standarder for artikel <input type="checkbox"/> förklarar följande överensstämmelse enl. EU-direktiv och standarder för artikeln <input type="checkbox"/> vakuuttaa, että tuote täyttää EU-direktiivin ja standardien vaatimukset <input type="checkbox"/> tõendab toote vastavust EL direktiivile ja standarditele <input type="checkbox"/> vydává následující prohlášení o shodě podle směrnice EU a norem pro výrobek <input type="checkbox"/> potrjuje sledečo skladnost s smernico EU in standardi za izdelek <input type="checkbox"/> vydáva nasledujúce prehlásenie o zhode podľa smernice EÚ a noriem pre výrobok <input type="checkbox"/> a cikkekhez az EU-irányvonal és Normák szerint a következő konformitást jelenti ki | <ul style="list-style-type: none"> <input type="checkbox"/> deklaruje zgodność wymienionego poniżej artykułu z następującymi normami na podstawie dyrektywy WE. <input type="checkbox"/> декларира съответното съответствие съгласно Директива на ЕС и норми за артикул <input type="checkbox"/> paskaidro šādu atbilstību ES direktīvai un standartiem <input type="checkbox"/> apibūdzina šī atbilstību EU reikalavimams ir prekės normoms <input type="checkbox"/> declară următoarea conformitate conform directivei UE și normelor pentru articolul <input type="checkbox"/> δηλώνει την ακόλουθη συμμόρφωση σύμφωνα με την Οδηγία ΕΚ και τα πρότυπα για το προϊόν <input type="checkbox"/> potvrđuje sljedeću usklađenost prema smjernicama EU i normama za artikl <input type="checkbox"/> potvrđuje sljedeću usklađenost prema smjernicama EU i normama za artikl <input type="checkbox"/> potvrđuje sledeću usklađenost prema smernicama EZ i normama za artikla <input type="checkbox"/> следующим удостоверяется, что следующие продукты соответствуют директивам и нормам ЕС <input type="checkbox"/> проголошує про зазначену нижче відповідність виробу директивам та стандартам ЄС на виріб <input type="checkbox"/> ја изјавува следната сообразност согласно ЕУ-директивата и нормите за артикли <input type="checkbox"/> Ürünü ile ilgili AB direktifleri ve normları gereğince aşağıda açıklanan uygunluğu belirtir <input type="checkbox"/> erklærer følgende samsvar i henhold til EU-direktivet og standarder for artikkel <input type="checkbox"/> Lýsir uppfyllingu EU-reglana og annarra staðla vöru |
|--|--|

Petrol Chain Saw SPJCS 3740/1 (Spear & Jackson)

- | | |
|---|---|
| <input type="checkbox"/> 87/404/EC_2009/105/EC | <input checked="" type="checkbox"/> 2006/42/EC |
| <input type="checkbox"/> 2005/32/EC_2009/125/EC | <input checked="" type="checkbox"/> Annex IV
Notified Body: TÜV Rheinland LGA Products GmbH, Tillystr. 2, D-90431 Nürnberg
Notified Body No.: 0197
Reg. No.: BM 50206568 |
| <input type="checkbox"/> 2006/95/EC | |
| <input type="checkbox"/> 2006/28/EC | |
| <input checked="" type="checkbox"/> 2004/108/EC | <input checked="" type="checkbox"/> 2000/14/EC_2005/88/EC |
| <input type="checkbox"/> 2004/22/EC | <input checked="" type="checkbox"/> Annex V |
| <input type="checkbox"/> 1999/5/EC | <input type="checkbox"/> Annex VI
Noise: measured $L_{WA} = 109$ dB (A); guaranteed $L_{WA} = 112$ dB (A)
$P = 1,2$ KW; $L/\varnothing =$ cm
Notified Body: |
| <input type="checkbox"/> 97/23/EC | |
| <input type="checkbox"/> 90/396/EC_2009/142/EC | <input checked="" type="checkbox"/> 2004/26/EC
Emission No.: e11*97/68SA*2010/26*0747*04 |
| <input type="checkbox"/> 89/686/EC_96/58/EC | |

Standard references: EN ISO 11681-1; EN 55012; EN 61000-6-1

Landau/Isar, den 30.07.2011


Weichselgartner/General Manager


Frank/Product-Management

First CE: 10
Art.-No.: 45.016.43 I.-No.: 11011
Subject to change without notice

Archive-File/Record: NAPR004116
Documents registrar: Robert Mayn
Wiesenweg 22, D-94405 Landau/Isar