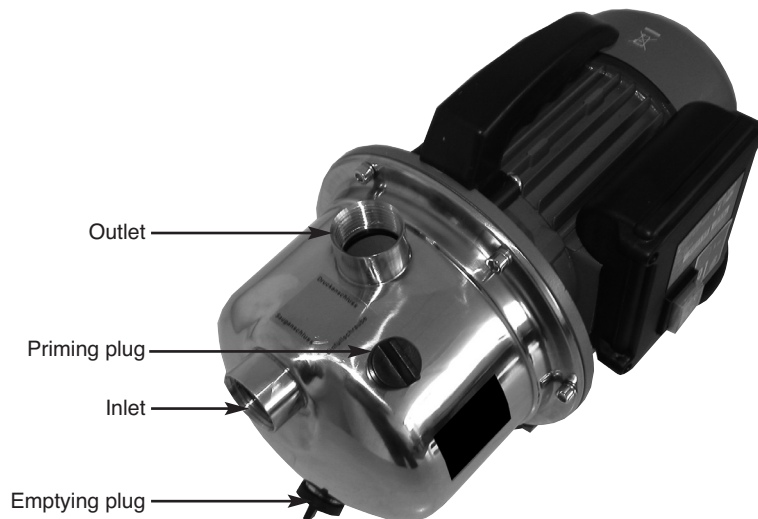


Quick Guide for GLGP 1002 Garden pump

1. Overview



PLEASE READ ALL INSTRUCTIONS BEFORE USING THE PUMP

2. Pump operation



Remove the plastic covers and insert the hose adaptors into the pump body tightly.



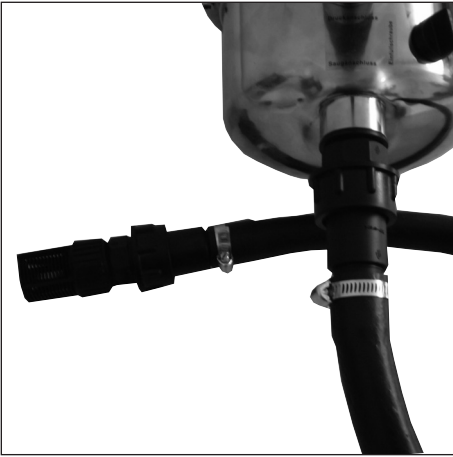
Clamp for connection

Connect the suction hose and the delivery hose to the hose adaptors. The hoses should be fixed tightly by clamps, with no leakage of hose or connections.

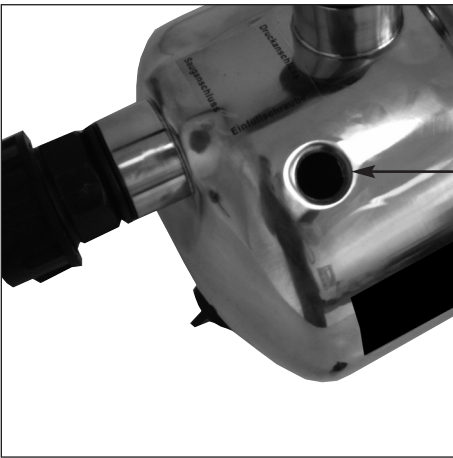
The hose and clamps are not included in packaging.

Please don't use soft hose as suction hose, because the soft hose will collapse when the pump is switched. This will damage the pump.

PLEASE READ ALL INSTRUCTIONS BEFORE USING THE PUMP



Also connect the non-return valve to the suction hose with a clamp.



Fill water into the pump body until it overflows

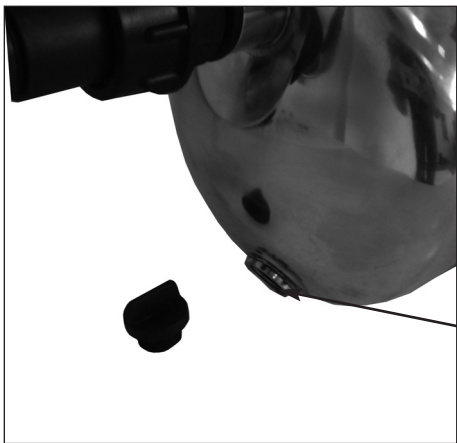
1. Put the non-return valve and suction hose into water. Please make sure the pump is higher than water level at least 300mm.
2. Remove the priming plug and fill water into pump body until it overflows.
3. Replace the priming plug, make sure the delivery hose is open then start the pump.

If under some circumstances, the water doesn't come out of the outlet, switch off the pump, then check the non-return valve hasn't been blocked and there hasn't been leakage from the suction hose or connections then repeat above action.

Never let the pump run dry or it will be damaged.

Never run the pump with outlet closed or the pump will be damaged.

PLEASE READ ALL INSTRUCTIONS BEFORE USING THE PUMP



Empty water from this hole.

Before storing the pump please remove emptying plug to empty the water from the pump body then replace the plug.

PLEASE READ ALL INSTRUCTIONS BEFORE USING THE PUMP

EH.07/2007