



Einhell

BLUE

BT-MR 550 Metal Milling Machine

Art.-No. 42.530.02

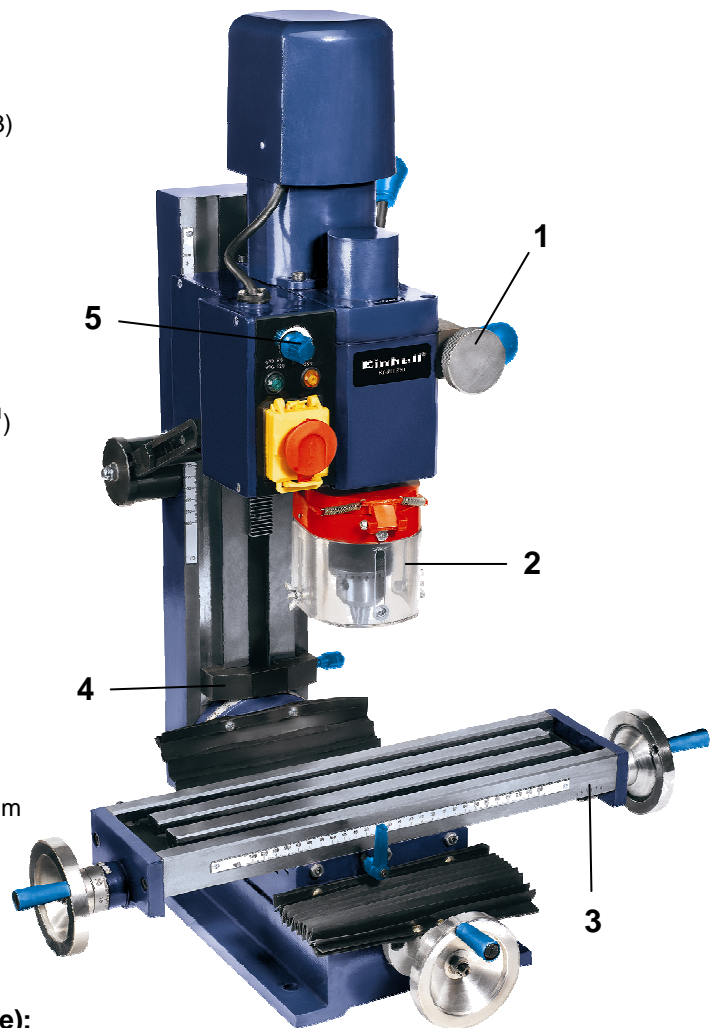
The precise milling machine is excellent qualified for handling with several materials like plastic and metal. The tools can be changed fast and easily, thus you can work exact and more efficient with the BT-MR 550. The spindle speed can be continuously regulated and enables an accurate adjustment to the working material. Due to the compact construction and the easy handling the BT-MR 550 is for all DIY excellent qualified.

Features

- Wheel selector for fine feed (1)
- Hinged chip guard (2)
- Compound table with diagonal and length slide (3)
- Depth gauge (4)
- Electronic speed control (5)
- 2 speed areas (L/H)

Technical Data

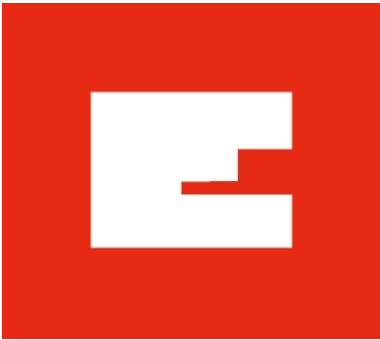
- Voltage: 230 V ~ 50 Hz
- Spindle rotary speed: L (50-1,100 min⁻¹)
H (120-2,500 min⁻¹)
- Max. Output power: 550 W (S3 50%)
- Table size: 410 x 112 mm
- Max. table adjustment in y: 100 mm
- Max. table adjustment in x: 250 mm
- Max. spindle stroke: 220 mm
- Angle adjustment l/r: -45° - +45°
- Max. drilling diameter: 16 mm
- End milling diameter: 13 mm
- Face milling diameter: 30 mm
- Morse conus inside spindle: MK 3
- Weight: approx. 75.5 kg
- Packing dimension: 570 x 510 x 740 mm
- Bar code: 4006825 541540
- Sales unit: 1 pc



Standard accessories in the case (w/o picture):

- Ring gear drill chuck 3-16 mm with drill chuck key
- 3 x open-ended spanner 36 mm; 16/13 mm; 10/8 mm
- Hook spanner
- Plastic oil tank
- Tie rod
- Locating pin for spindle locking
- 4 groove stones M8
- 4 threaded bolt 45 mm ; M8
- 4 screw nuts M8
- 7 allen keys 2/2.5/3/4/5/6/8 mm





Einhell

As special accessories available:

Machinery-vice with quick adjustment

Ideal for quick and safe fix-clamping of workpieces on the machinery board

Art.-No.: 42.530.10

Bar code: 4006825510249



Clamping pincers kit 9 pcs.

For safe retaining of pole-cutters
Ø 4; 6; 8; 10; 12; 14; 16mm

Art.-No.: 42.530.11

Bar code: 4006825510256



Clamping claws kit 58 pcs.

For safe fix-clamping of workpieces on the machinery board

Art.-No.: 42.530.12

Bar code: 4006825510263



Turn-insert-cutter

Diameter Ø30mm

Art.-No.: 42.530.13

Bar code: 4006825510270



HM – turn-inserts 2 pcs.

Applicable for turn-insert-cutter
Art.-No.: 42.530.13

Art.-No.: 42.530.14

Bar code: 4006825510287

