

Einhell

RED

RT-SM 305 L Kit Sliding mitre saw

Art.-No. 43.007.06

Features

- Slide supported by pipe-in-pipe system (1)
- Including dust box (2) and castor (3) with end stop
- Carbide-tipped saw blade with 24 teeth (4)
- Highgrade rotating table made of aluminium (5) for precise angle cuts ranging from -52° to +45°
- Motor head continuously tiltable to the left from 0° to 45°
- Clamping device (6) for fixating of workpiece
- Practical saw blade storage on the backside (7)
- Including laser
- Spindle-lock for an easier change of the saw blade
- Softstart

Standard accessory

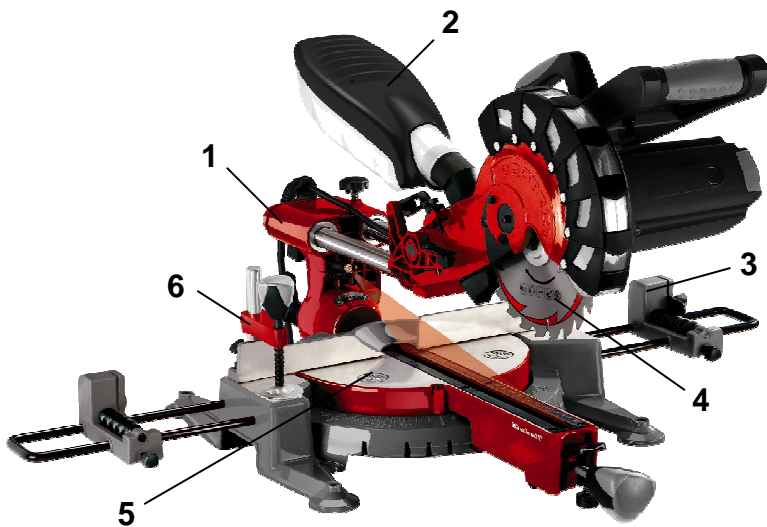
- Saw blade Ø 210 x Ø 30 x 2.8 mm, No. of teeth 48

Technical Data

- Mains: 230 V ~ 50 Hz
- Power: 1,800 W
- No-load speed: 4,800 min⁻¹
- Carbide-tipped saw blade: Ø 210 x Ø 30 x 2.8 mm
- No. of teeth: 48
- Turning range: -52° 0' +60°
- Mitre cut: 0° to 45° to the left
- Cutting width 90° x 90°: 310 x 65 mm
- Cutting width 45° x 90°: 220 x 65 mm
- Cutting width 90° x 45°: 310 x 35 mm
- Product weight: 15.3 kg

Logistic Data

- Net weight: 16.4 kg
- Gross weight: 19.2 kg
- Packing dimensions: 790 x 500 x 400 mm
- Bar code: 4006825 585384
- Sales unit: 1 pc



As special accessories available:

- | | |
|------------------------|--------------------------|
| TCT saw blade | Art.-No.: 45.020.34 |
| Ø 210 x Ø 30, 48 teeth | Bar code: 4006825 456110 |
| TCT saw blade | Art.-No.: 45.020.48 |
| Ø 210 x Ø 30, 24 teeth | Bar code: 4006825 456004 |