

Sliding Cross cut- and mitre saw with base frame BKG 1800 UG

Art.-No.: **43.006.28**

Bar code: **4006825506853**

Sales unit: **1 pc**

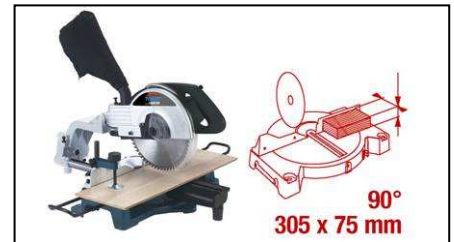
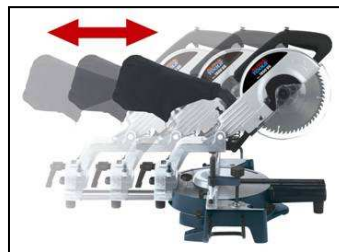
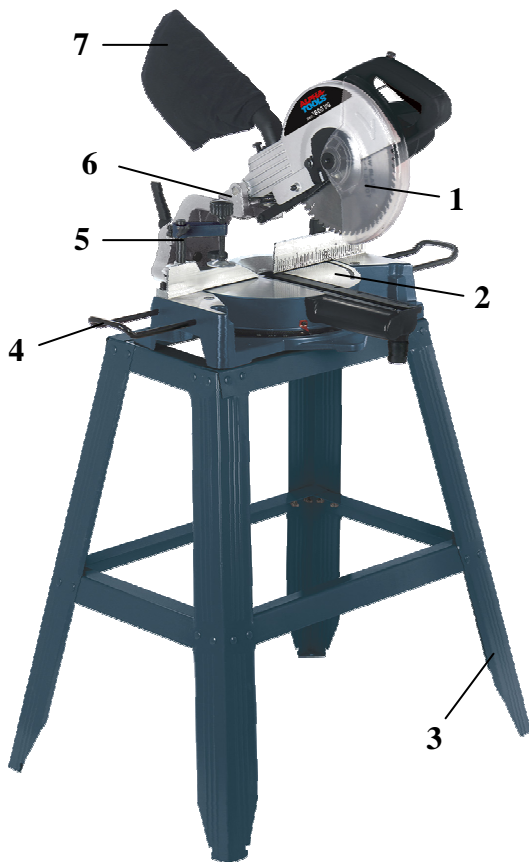
The sliding cross cut- and mitre table saw BKG 1800 UG warrants a quick, clean and smooth cut of wooden parts without problems. Double mitre cuts are possible with its tilting and swivelling motor-head. Due to its sliding feature the saw can cut 305 mm wide and therefore wide panels and laminate floorboard can be cut in one step. By the undercarriage support the saw is also stationarily in optimal working position applicable.

Features:

- Carbide tipped saw blade (1)
- Rotating table for precise angle cuts ranging from -45° to +45° (2)
- Incl. base frame (3)
- Extendable workpiece rest (4)
- Clamping device form for fixation of work piece (5)
- Tilting motor head to the left continuously from 0° to +45° (6)
- Incl. dust bag (7) and transport locking

Technical data:

- Mains: 230 V ~ 50 Hz
- Power: 1800 watts
- Idle speed n_0 : 4600 min^{-1}
- Carbide tipped saw blade: $\text{Ø } 250 \times \text{Ø } 30 \times 3.2 \text{ mm}$
- No. of teeth: 60
- Turning range: 2 x 45°
- Panels max.: 305 mm
- Mitre cut: 0° to 45° to the left
- Cutting width at max. 90°: 305 x 75 mm
- Cutting width at max. 45°: 210 x 75 mm
- Cutting width at max. 2x45°: 210 x 45 mm (Double mitre cut)
- Weight: 27.5 kg
- Packing dimensions: 670 x 540 x 440 mm



As special accessories available:

Spare saw blade

$\text{Ø } 250 \times \text{Ø } 30 \times 3,2 \text{ mm}$; 36 teeth

Spare saw blade

$\text{Ø } 250 \times \text{Ø } 30 \times 3,2 \text{ mm}$; 60 teeth

Carbide tipped saw blade

$\text{Ø } 250 \times \text{Ø } 30 \text{ mm}$; 24 teeth

Carbide tipped saw blade

$\text{Ø } 250 \times \text{Ø } 30 \text{ mm}$; 48 teeth

Art.-No.: **45.020.37**

Bar code: **4006825456141**

Art.-No.: **43.111.13**

Bar code: **4006825503166**

Art.-No.: **43.111.10**

Bar code: **4006825431223**

Art.-No.: **43.111.11**

Bar code: **4006825431230**

Abbildungen können nicht im Serien-Lieferumfang enthaltenes Zubehör darstellen / Illustrations can contain accessories, which are not included in standard extent of delivery.

Abbildungen ähnlich, produktionsbedingte Abweichung vorbehalten / Illustration similar (in design), production-wise modifications reserved

File: G:\Webshop\T-Produktbeschreibung\60\Originale_Englisch_PA04\4300628_01025.doc

Erstelldatum / create date: 09.01.2006 7:51

Aktualisiert / up dated: 23.01.2006