



User Manual



ELECTRIC LEAF BLOWER VAC GLLS 3000/3



Original instructions

Product Info

www.aldi.co.uk

+ VIDEO

QR codes take you where you want to go quickly and easily

Whether you require **product information**, **spare parts** or **accessories**, details on **warranties** or **aftersales services**, or if you want to watch a **product demonstration video**, our QR codes will take you there in no time at all.

What is a QR code?

A QR code (QR = Quick Response) is a type of matrix that can be read with a smartphone camera and that contains a link to a website or contact details, for example.

Advantage: You do not need to manually enter a website address or contact details.

How it works

To scan the QR code, all you need is a smartphone with QR code reader software and an internet connection.

This type of software can be downloaded for free from your app store.

Try it out now

Just scan the QR code with your smartphone and find out more about the ALDI product you have purchased.

Your ALDI Service Portal

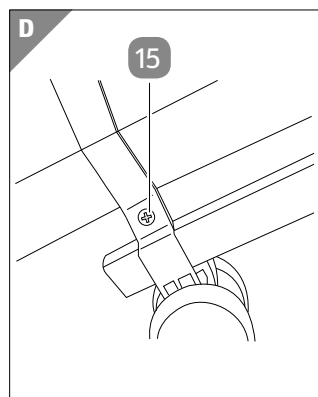
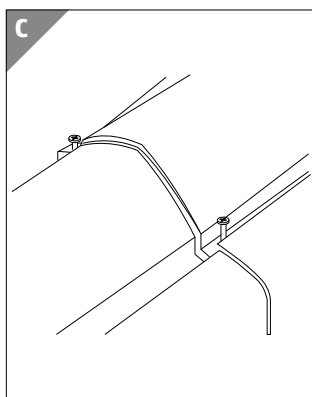
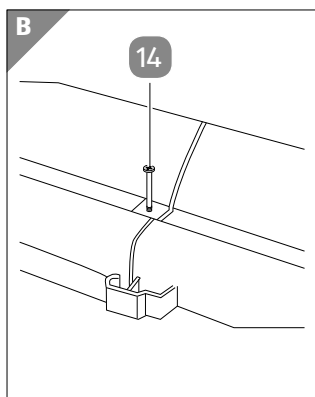
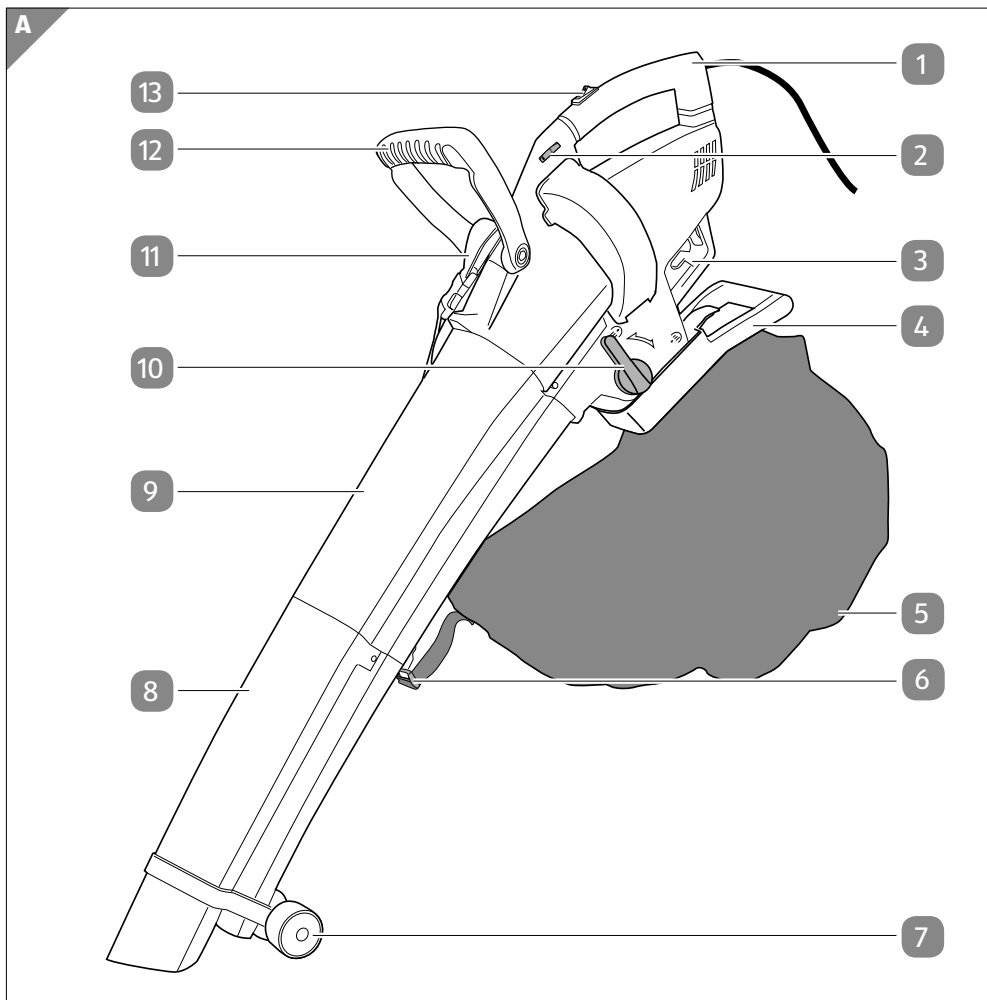
All details mentioned above can also be found in the ALDI Service Portal at www.aldi.co.uk.

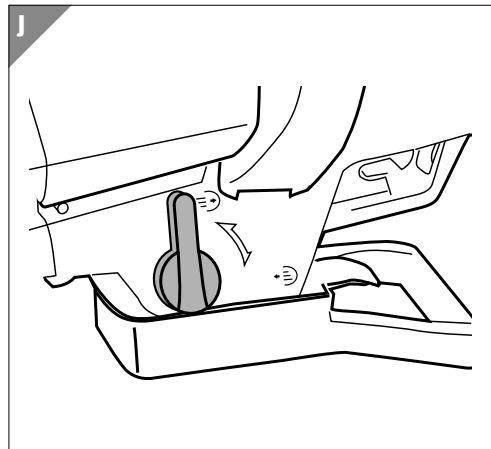
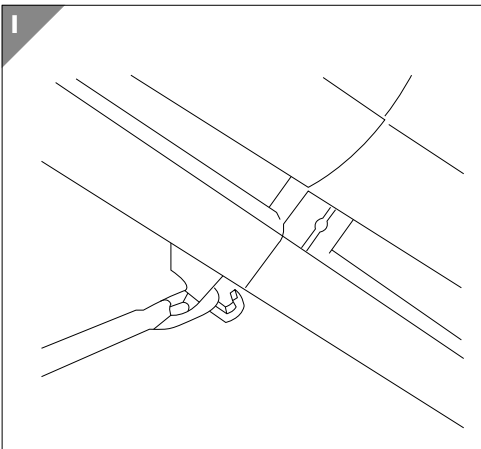
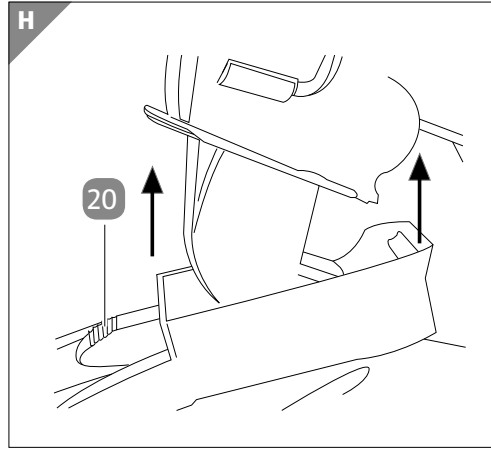
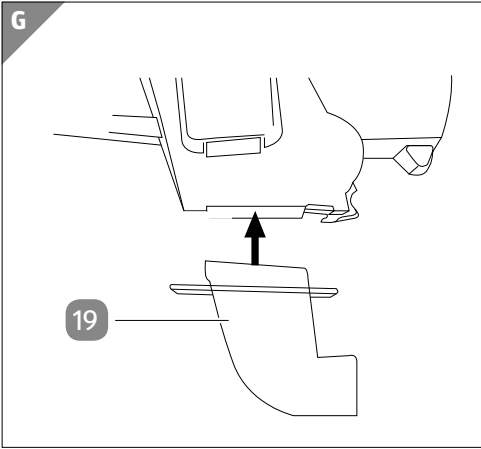
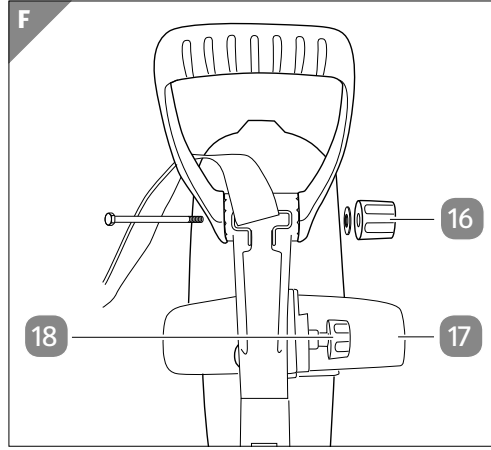
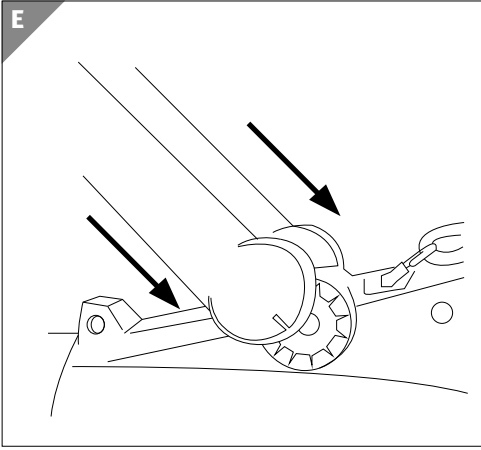


Depending on your tariff plan you may be charged for the connection.

Contents

Overview	4
Use.....	5
Package contents/device parts.....	6
General information.....	7
Reading and storing the user manual	7
Explanation of symbols	7
Safety	9
Proper use.....	9
General power tool safety instructions.....	10
Additional safety instructions for handheld electric leaf blowers with blower function.....	12
Supplementary safety instructions	16
First use.....	17
Checking the leaf blower and package contents.....	17
Assembling the leaf blower	17
Mounting the cover	18
Mounting the front handle.....	18
Mounting the tube.....	18
Mounting the wheels	19
Mounting the collector bag.....	19
Using the carrying strap	19
Operation.....	20
Preparation.....	20
Activating/deactivating the leaf blower.....	21
Using the leaf blower in vacuum mode	22
Using the leaf blower in blower mode	23
Emptying the collector bag.....	23
Removing blockages.....	23
Cleaning.....	24
Maintenance and repair.....	25
Storage	26
Transport	26
Troubleshooting.....	27
Technical data	28
Spare parts and accessories	28
Noise/vibration information	29
Disposal.....	31
Disposing of the packaging	31
Disposing of the leaf blower	31
Declaration of conformity.....	32





Package contents/device parts

- 1 Rear handle
- 2 Speed control
- 3 Strain relief
- 4 Connecting piece
- 5 Collector bag
- 6 Fixing clamp
- 7 Wheel holder (with wheels)
- 8 Front tube
- 9 Rear tube
- 10 Mode switch
- 11 Carrying strap (with clasp)
- 12 Front handle
- 13 On/Off switch
- 14 (Long) screw, 2×
- 15 (Short) screw, 2×
- 16 Locking screw (cover)
- 17 Cover
- 18 Locking screw (front handle)
- 19 Port
- 20 Button

General information

Reading and storing the user manual



This user manual accompanies this electric leaf blower vac GLLS 3000/3 (referred to below only as the “leaf blower”). It contains important information about safety, usage and care.

Read this user manual carefully before using the leaf blower.

Pay particular attention to the safety instructions and warnings. Failure to follow the instructions in this user manual may result in severe injury or damage to the leaf blower.

Comply with applicable local or national regulations concerning the use of this product. Keep this user manual in a safe place for future reference. If you pass the leaf blower on to third parties, please be absolutely sure to include this user manual.

Explanation of symbols

The following symbols and signal words are used in this user manual, on the leaf blower or on the packaging.



Indicates a hazardous situation that, if not avoided, could result in death or serious injury.



Indicates a hazardous situation that, if not avoided, could result in minor or moderate injury.



Warns of possible damage to property.



This symbol provides you with useful supplementary information on assembly or use.



Declaration of conformity (see “Declaration of conformity” section): Products marked with this symbol meet all applicable Community regulations for the European Economic Area.



Caution/Warning



Read the user manual.



Wear suitable, tight fitting clothing.



Wear protective goggles.
Wear ear protection.



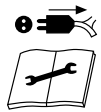
Wear a dust mask.



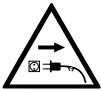
Wear suitable secure footwear.



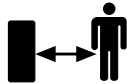
Wear suitable protective gloves.



Pull the mains plug before cleaning, maintenance, assembly, storage and transport.



Pull the mains plug if the mains cord is damaged or tangled. Do not touch the mains cord until you have disconnected it from the mains.



Keep other persons and animals out of the danger area while the leaf blower is operating.



Discharge of cuttings.



Protect the leaf blower from rain and moisture.



Guaranteed sound power level in dB.



The leaf blower corresponds to protection class II.
This means that the leaf blower has reinforced or double insulation.



Vacuum mode



Blower mode



Certified safety: Products marked with this symbol meet the requirements of the German Product Safety Act (ProdSG).

Safety

Proper use

The leaf blower is only designed for private users in connection with hobby and DIY projects for the following purposes:

- In vacuum mode for sucking up dry foliage or other garden waste such as cuttings.
- In blower mode for blowing foliage or other garden waste such as cuttings together or for removing them from hard-to-reach areas.

Any other applications are expressly prohibited and are deemed improper use.

Neither the manufacturer nor the retailer can accept any responsibility for injury, loss or damage caused by misuse of this product of any kind. Examples of misuse are given in the following non-exhaustive list:

- using the leaf blower for other than the intended purposes;
- failure to observe the safety instructions and warnings as well as the assembly, operating, maintenance and cleaning instructions contained in this user manual;
- failure to comply with any regulations relating to accident prevention, occupational medicine or safety, which specifically and/or generally apply to the use of this leaf blower;
- use of accessories and spare parts not intended for the leaf blower;
- changes to the leaf blower;
- repairs to the leaf blower performed by parties other than the manufacturer or a qualified professional;
- commercial or industrial use of the leaf blower as well as in connection with the trades;
- operation or maintenance of the leaf blower by persons not familiar with how to handle the leaf blower and/or who are not aware of the related risks.

General power tool safety instructions

⚠ WARNING Read all safety instructions and instructions.

Failure to follow the safety instructions and instructions may result in an electric shock, fire and/or severe injury.

Save all warnings and instructions for future reference.

The term “power tool” used in the safety instructions refers to mains-operated power tools (corded) and battery-powered power tools (cordless).

Work area safety

- a) **Keep your work area clean and well lit.** *Cluttered or dark areas invite accidents.*
- b) **Do not operate power tools in explosive atmospheres, such as in the presence of flammable liquids, gases or dust.** *Power tools create sparks which may ignite the dust or fumes.*
- c) **Keep children and bystanders away while operating a power tool.** *Distractions can cause you to lose control.*

Electrical safety

- a) **Power tool plugs must match the outlet. Never modify the plug in any way. Do not use any adapter plugs with earthed (grounded) power tools.** *Unmodified plugs and matching outlets will reduce risk of electric shock.*
- b) **Avoid body contact with earthed or grounded surfaces, such as pipes, radiators, ranges and refrigerators.** *There is an increased risk of electric shock if your body is earthed or grounded.*
- c) **Do not expose power tools to rain or wet conditions.** *Water entering a power tool will increase the risk of electric shock.*
- d) **Do not abuse the cord. Never use the cord for carrying, pulling or unplugging the power tool. Keep the cord away from heat, oil, sharp edges or moving parts.** *Damaged or entangled cords increase the risk of electric shock.*
- e) **When operating a power tool outdoors, use an extension cord suitable for outdoor use.** *Use of a cord suitable for outdoor use reduces the risk of electric shock.*

-
- f) **If operating a power tool in a damp location is unavoidable, use a residual current device (RCD) protected supply.** *Use of an RCD reduces the risk of electric shock.*

Personal safety

- a) **Stay alert, watch what you are doing and use common sense when operating a power tool. Do not use a power tool while you are tired or under the influence of drugs, alcohol or medication.** *A moment of inattention while operating power tools may result in serious personal injury.*
- b) **Use personal protective equipment. Always wear eye protection.** *Protective equipment such as dust mask, non-skid safety shoes, hard hat, or ear protection used for appropriate conditions will reduce personal injuries.*
- c) **Prevent unintentional starting. Ensure the switch is in the off-position before connecting to power source and/or battery pack, picking up or carrying the tool.** *Carrying power tools with your finger on the switch or energising power tools that have the switch on invites accidents.*
- d) **Remove any adjusting key or wrench before turning the power tool on.** *A wrench or a key left attached to a rotating part of the power tool may result in personal injury.*
- e) **Do not overreach. Keep proper footing and balance at all times.** *This enables better control of the power tool in unexpected situations.*
- f) **Dress properly. Do not wear loose clothing or jewellery. Keep your hair, clothing and gloves away from moving parts.** *Loose clothes, jewellery or long hair can be caught in moving parts.*
- g) **If devices are provided for the connection of dust extraction and collection facilities, ensure these are connected and properly used.** *Use of dust collection can reduce dust-related hazards.*

Power tool use and care

- a) **Do not force the power tool. Use the correct power tool for your application.** *The correct power tool will do the job better and safer at the rate for which it was designed.*

- b) **Do not use the power tool if the switch does not turn it on and off.** *Any power tool that cannot be controlled with the switch is dangerous and must be repaired.*
- c) **Disconnect the plug from the power source and/or the battery pack from the power tool before making any adjustments, changing accessories, or storing power tools.** *Such preventive safety measures reduce the risk of starting the power tool accidentally.*
- d) **Store idle power tools out of the reach of children. Do not allow persons unfamiliar with the power tool or these instructions to operate the power tool.** *Power tools are dangerous in the hands of untrained users.*
- e) **Maintain power tools. Check for misalignment or binding of moving parts, breakage of parts and any other condition that may affect the power tool's operation.** *If damaged, have the power tool repaired before use. Many accidents are caused by poorly maintained power tools.*
- f) **Keep cutting tools sharp and clean.** *Properly maintained cutting tools with sharp cutting edges are less likely to bind and are easier to control.*
- g) **Use the power tool, accessories and fitted tools etc. in accordance with these instructions, taking into account the working conditions and the work to be performed.** *Use of the power tool for operations different from those intended could result in a hazardous situation.*

Service

- a) **Have your power tool serviced by a qualified repair person using only identical replacement parts.** *This will ensure that the safety of the power tool is maintained.*

Additional safety instructions for handheld electric leaf blowers with blower function

Briefing

- a) Carefully read through the instructions. Familiarise yourself with the control elements and proper use of the device.

-
- b) Never allow children or persons not familiar with these instructions to use the device. Local regulations may restrict the permissible age of the operator.
 - c) Please keep in mind that the operator or user is responsible for accidents or dangers affecting other persons or their property.

Preparation

- a) Use ear protection and protective goggles. Wear them during the whole operating time of the device.
- b) Always wear secure footwear and long trousers when operating the device. Do not operate the device with bare feet or with open sandals. Avoid wearing loose clothing or clothing with dangling strings or ties.
- c) Do not wear any loose clothing or jewellery that could be drawn into the suction intake. Keep long hair away from the suction intakes.
- d) Operate the device in a recommended position and only on a solid, level surface.
- e) Do not operate the device on a cobbled or gravel surface where discharged material could inflict injury.
- f) Always perform a visual check before use to ensure that the shredder, the bolts of the shredder and other fasteners are secure, that the housing is not damaged and that the protective equipment and shields are all in place. If any components are worn or damaged, replace the complete set to maintain balance. Replace any damaged or illegible labels.
- g) Before use, check the voltage supply and the extension cord for signs of damage or ageing. If a cord is damaged during use, the mains connection line must be immediately disconnected from the mains (e.g. disconnecting the extension cord from the mains). **Do not touch the cord as long as it has not yet been disconnected from the mains** as this could result in contact with live parts. Do not use the device if the cord is damaged or worn.
- h) Keep the extension cord away from moving parts to prevent damage to the cord.
- i) Never use the device if there are people, especially children, or animals nearby.

Operation

- a) Before you start the device, make sure that the feeder is empty.
- b) Keep your face and your body away from the intake.
- c) Ensure that your hands, other body parts or clothing are not in the feeder, the discharge duct or near moving parts.
- d) Make sure that you maintain your balance and that you assume a stable stance, especially when working on slopes. Do not overreach. When feeding material into the device, never stand on a higher level than the level on which the device is set up.
- e) Walk, do not run.
- f) When operating the device, stay out of the discharge zone.
- g) Be extremely careful when feeding material into the device to ensure that no pieces of metal, rocks, bottles, cans or other foreign objects are fed into it.
- h) Immediately switch off the power source and wait until the device has come to a full stop if the shredder comes into contact with a foreign object or if the device starts to vibrate excessively. Disconnect the device from the mains and follow the steps below before restarting and operating the device:
 - check for damage;
 - replace or repair any damaged parts;
 - check for loose parts and tighten them.
- i) Ensure that processed material does not accumulate in the discharge zone as this will impair the proper discharge of material and result in material being drawn back into the device via the intake.
- j) If the device is plugged, switch the power source off and disconnect it from the mains before you remove the debris.
- k) Never operate the device if the protective equipment or shields are defective or if the safety fixtures, such as collector bag, are not in place or attached.
- l) Keep the power source free of debris and the accumulation of other materials to prevent damage to it or a possible fire.
- m) Do not transport the device whilst the power source is running.

-
- n) Stop the device and pull the plug out of the socket. Make sure that all moving parts have come to a full stop
 - whenever you leave the device unattended,
 - before removing a blockage or rectifying obstructed ducts,
 - before inspecting, cleaning or performing any other work on the device.
 - o) Do not tip the device whilst the power source is running.

Maintenance and storage

- a) If the device is stopped for maintenance, inspection, storage or in order to change accessories, switch the power supply off, disconnect the device from the mains and make sure that all moving parts have come to a full stop. Let the device cool off before inspecting it, performing settings, etc. Maintain the device with care and keep it clean.
- b) Store the device in a dry place out of the reach of children.
- c) Always let the device cool off before storing it.
- d) When performing maintenance on the shredder, please keep in mind that although the power source has been switched off by the locking function of the protective equipment, the shredder can still be moved.
- e) Replace worn or damaged parts for reasons of safety. Only use original spare parts and accessories.
- f) Never attempt to bypass the locking function of the protective equipment.
- g) Switch the device off before attaching or removing the bag.

Recommendation

- a) The device should be operated with a residual current protective device (RCD) with a maximum release current of no more than 30 mA.
- b) Do not operate the device in poor weather conditions, especially if there is a risk of lightning.

Supplementary safety instructions



Danger for children and persons with impaired physical, sensory or mental capacities (e.g. partially disabled persons, older persons with reduced physical and mental capacities) or lack of experience and knowledge (e.g. older children).

- Children, persons with impaired physical, sensory or mental abilities or who lack experience and knowledge or persons who are not familiar with the instructions are never permitted to use the device.
- Local regulations may prescribe an age limit for the operator.
- The device must never be operated if people, particularly children, or pets are nearby.
 - a) Follow the instructions for assembly and maintenance in this user manual.
 - b) If the mains connection line of this device is damaged, it must be replaced by the manufacturer, its after sales support or a similarly qualified person in order to prevent risks.

Residual risks

Even if you use this power tool in compliance with applicable regulations, residual risks cannot be ruled out. The following risks associated with the construction and design of this power tool may occur:

- a) lung injury if a suitable dust mask is not worn;
- b) hearing loss if suitable ear protection is not worn;
- c) injury to health attributed to hand-arm vibration emissions if the device is used over a prolonged period of time or is not guided and maintained properly.



Health hazard for persons with pacemakers!

The leaf blower generates a weak electromagnetic field during operation. Potential interference with a pacemaker can therefore not be ruled out.

- Before the start-up of the leaf blower, ask the manufacturer of the pacemaker or a physician in order to prevent any malfunctioning and related health risks.

First use

Checking the leaf blower and package contents



Danger of suffocation!

Children could suffocate on plastic wrappers or if they swallow small parts.

- Do not allow children to play with the plastic bags, wrappers and small parts. The leaf blower and the packaging are not a children's toy.
 1. Lift the leaf blower out of the packaging with both hands.
 2. Place the leaf blower on a level, stable surface, such as a workbench.
 3. Check whether the leaf blower or the individual parts exhibit damage. If this is the case, do not use the leaf blower. Contact the manufacturer at the service address specified on the warranty card.
 4. Check to make sure that the delivery is complete (see **Fig. A**).

Assembling the leaf blower



Risk of injury!

A leaf blower that is not fully assembled may result in severe injury.

- Follow the user manual step-by-step.
- Assemble the leaf blower completely before operating it.
- Do not connect the mains plug with the mains connection line until you have completely assembled the leaf blower.

Mounting the cover



Risk of injury!

Operating the leaf blower without a cover can result in injury.

- Never use the leaf blower without a cover.
 1. Hook the bottom side of the cover **17** into the small side opening in the motor unit.
 2. Use the locking screw **16** to secure the cover on the motor unit.

Mounting the front handle



Risk of injury!

If the front handle has not been properly fixed in place, this may result in injury.

- Make sure that the gear tooth system has properly locked in place.
- Make sure that the locking screw has been tightened.
 1. Loosen and remove the locking screw **18** from the front handle **12**.
 2. Attach the front handle to the holder (see **Fig. E**).
 3. Insert the pin for the locking screw through the opening of the front handle (see **Fig. F**) so that the head of the pin fits into the recess.
 4. Place the washer on the pin of the locking screw.
 5. Turn the star grip gently onto the pin of the locking screw.
 6. Adjust the front handle to the desired position.
 7. Screw the locking screw tight by turning it clockwise.

Mounting the tube

1. Take the front tube **8** out of the rear tube **9**.
2. Insert the rear tube into the front tube until it audibly locks into place.
3. Use a (long) screw **14** to screw the two tubes together (see **Fig. B**).
4. Insert the rear tube into the motor unit until it audibly locks into place.
5. Screw the two parts together using a (short) screw **15** at the top and a (long) screw **14** at the bottom (see **Fig. C**).

Mounting the wheels

Mount the wheels if you use the leaf blower in vacuum mode. Remove the wheels by reversing the steps if you use the leaf blower in blower mode.

1. Push the wheel holder with the wheels **7** approx. 10 cm onto the front tube **8**.
2. Use a (short) screw **15** to screw the wheel holder with wheels in place (see **Fig. D**).

Mounting the collector bag



Risk of injury!

If the collector bag is not secured when operating in vacuum mode, projected parts could result in injury.

- Only use the leaf blower in vacuum mode with a properly attached collector bag.
 - Make sure that the collector bag is not damaged.
1. Insert the port **19** with the larger opening facing up into the opening on the bottom of the motor unit so that it audibly locks in place (see **Fig. G**).
 2. Secure the connecting piece **4** of the collector bag **5** over the port on the motor unit until it audibly locks into place (see **Fig. H**).
 3. Secure the fixing clamp **6** on the hook (see **Fig. I**).



Push the button **20** and pull the connecting piece of the collector bag off of the motor unit to remove the collector bag.

Using the carrying strap

When using the leaf blower, always use the carrying strap so that you can work without fatiguing. Undo the clasp to be able to quickly open the carrying strap in the event of an accident.

Operation

Preparation

Preparing the extension cord

You will need an extension cord for outdoor operation (max. 50 m, 2.5 mm² cross-section).

1. Lay out the extension cord in loops so that you can drag it along when working.
2. Lay the extension cord so that it does not pose a tripping hazard and nothing can fall on it.
3. Check whether the extension cord is not damaged. Do not in any case use a damaged extension cord.

Connecting the mains cord

1. Make sure that the On/Off switch **13** is in the Off position (o).
2. Make a loop with the extension cord and run it through the opening of the strain relief **3**.
3. Run the loop over the hook of the strain relief.
4. Slowly pull the loop against the strain relief to tighten it. If the cable is not taut, it may become loose and slip out when working.
5. Insert the mains plug of the leaf blower in the mains jack of the extension cord.
6. Insert the mains plug of the extension cord in a properly installed socket.

Picking up the leaf blower

1. Pick up the leaf blower. Hold the front handle **12** with one hand and the rear handle **1** with the other hand.
2. Put on the carrying strap **11** so that it runs over your left shoulder and crosses your chest and back.
3. Check the length setting and adjust if necessary.

Adjusting the front handle

The front handle **12** can be set to 5 positions.



1. Loosen the locking screw **18** by turning it anticlockwise and move the front handle to the desired position.
2. Screw the locking screw tight by turning it clockwise. Make sure that the gear tooth system of the holder and the front handle have correctly locked into place.

Selecting the mode



Risk of injury!

Changing the operating mode while the leaf blower is switched on may result in injury and damage to the leaf blower.

- Switch the leaf blower off and wait until all parts have come to a full stop before you change the mode.
- Turn the mode switch **10** to the  position to use the leaf blower in vacuum mode. Make sure that the mode switch has locked in place (see **Fig. J**).
- Turn the mode switch to the  position to use the leaf blower in blower mode. Make sure that the mode switch has locked in place (see **Fig. J**).

Selecting the speed

- To increase power, turn the speed control **2** clockwise corresponding to the mark.
- To reduce power, turn the speed control anticlockwise corresponding to the mark.

Activating/deactivating the leaf blower



Risk of injury!

Moving parts will continue to move and can cause injury if touched before they have come to a full stop.

- Wait until all moving parts have come to a full stop.
- Set the On/Off switch **13** to the On position (**I**) to switch the leaf blower on.
- Set the On/Off switch to the Off position (**o**) to switch the leaf blower off.

Using the leaf blower in vacuum mode



Risk of injury!

If the collector bag is not secured when operating in vacuum mode, projected parts could result in injury.

- Only use the leaf blower in vacuum mode with a properly attached collector bag.
- Make sure that the collector bag is not damaged.

NOTICE!

Risk of damage!

Blockages and hard objects can damage the leaf blower.

- Clean the vents as described in the chapter “Cleaning”.
 - Do not suck up too many leaves at once as this could plug the tube and chopper.
 - Remove any blockages as described in the chapter “Removing blockage”.
 - Do not suck up any hard or wet materials.
1. Mount the wheels as described in the chapter “Mounting the wheels”.
 2. Use a rake to loosen any leaves stuck on the ground before you use the leaf blower.
 3. Hold the leaf blower in front of you and use the wheels to push it across the ground.

Using the leaf blower in blower mode



Risk of injury!

Pointing the airstream at other persons, animals or objects (e.g. windows) may cause injury and damage.

- Point the airstream away from you.
 - Never point the airstream at other persons, animals or objects.
 - Never blow away hard objects like rocks or branches.
1. If the wheels are mounted, remove them by reversing the steps described in the chapter “Mounting the wheels”.
 2. Hold the tube approx. 10 cm above the ground and slowly walk forward moving the blower from side to side.

Emptying the collector bag

Empty the collector bag **5** once it is roughly half full. This will maintain the vacuum power so that you can work more efficiently.

1. Switch the leaf blower off, disconnect it from the power supply and wait until all parts have come to a complete stop.
2. Undo the zipper of the collector bag and dump the cuttings on your compost pile. You do not have to remove the collector bag for this.
3. Then do the zipper all the way up.

Removing blockages



Risk of injury!

You could injure yourself if you remove blockages with your bare hands.

- Wear protective gloves.
- Use suitable tools (e.g. a wooden stick).



Risk of injury!

Moving parts will continue to move and can cause injury if touched before they have come to a full stop.

- Wait until all moving parts have come to a full stop.
 1. Check the tube for blockages. Carefully tap on the tube or use a wooden stick to remove blockages.
 2. Loosen and remove the locking screw **16**.
 3. Open the cover **17**.
 4. Check the opening in the motor unit for any blockages. If necessary, remove the blockage with a wooden stick.
 5. Fold the cover into the closed position and tighten the locking screw again.
 6. Remove the collector bag **5** as described in the chapter “Mounting the collector bag”.
 7. Check the opening in the motor unit for any blockages.
If necessary, remove the blockage with a wooden stick.
 8. Remove the rear tube by reversing the steps described in the chapter “Mounting the tube”.
 9. Check the opening in the motor unit for any blockages.
Remove any blockages with a wooden stick.

Cleaning



Risk of electric shock!

If used improperly or in a negligent manner, the leaf blower can inflict serious injury.

- Each time before performing maintenance, switch the leaf blower off and disconnect it from the power supply to prevent an electric shock or the motor from being started accidentally.

NOTICE!**Risk of damage!**

Improper handling of the leaf blower may result in damage to the leaf blower.

- Never spray the leaf blower with a water jet or a high-pressure cleaner. There may be significant damage to the leaf blower if water enters the motor.
- Do not use any aggressive cleaners, brushes with metal or nylon bristles or sharp or metallic cleaning utensils such as scrapers and the like. They could damage the surfaces.

Thoroughly clean the leaf blower immediately after each use and let all components dry. Moist plant cuttings may otherwise harden or start to rot; they are then much harder to remove.

- Keep the protective devices, air vents and the motor housing as free of dust and dirt as possible.
- Remove all plant cuttings with a hand brush or brush.
- Clean all smooth surfaces with a damp cloth.
- Remove the collector bag **5** by reversing the steps described in the chapter “Mounting the collector bag”.
- Clean the collector bag after each use by turning it inside out and brushing it out.

Maintenance and repair

**WARNING!****Risk of electric shock!**

If used improperly or in a negligent manner, the leaf blower can inflict serious injury.

- Each time before performing maintenance, switch the leaf blower off and disconnect it from the power supply to prevent an electric shock or the motor from being started accidentally.
- Regularly check that all screw connections are tight to ensure the leaf blower will operate safely.

- Do not use any damaged or worn parts. Replace them with original spare parts of the manufacturer.
- Have any safety-relevant maintenance work – such as replacing faulty components – carried out by a specialist or our service department to maintain the leaf blower's operational safety.
- If the mains connection line is damaged, it must be replaced by the manufacturer, after sales support or a similarly qualified person in order to prevent risks.

Storage

- Before storage, clean the leaf blower thoroughly as described in the chapter "Cleaning".
- Always store the leaf blower in a dry area.
- Protect the leaf blower from direct sunlight.
- Store the leaf blower so that it is not accessible to children and at a storage temperature between +5 °C and +30 °C.
- Store the leaf blower in the original box or in a similar box.

Check the condition of the leaf blower regularly. Among other things, check to make sure:

- that the switches are not damaged,
- that the accessories are in proper condition,
- that the mains cord and the plug are not damaged,
- that the vents are unobstructed and clean. If applicable, use a soft brush to clean them.

If you identify any damages, you must have them repaired by a specialist workshop to prevent risks.

Transport

- Always carry the leaf blower by the handles **1** or **12**.
- Protect the leaf blower from shocks and intense vibrations.
- Secure the leaf blower when transporting it in a vehicle.
- If possible, use the original packaging for transport.

Troubleshooting

Problem	Possible cause	Solution
The motor doesn't start.	On/Off switch 13 in the off position (o).	Switch the On/Off switch to the On position (I).
	No power	Use another device to check whether the socket being used has power.
		Connect the mains plug with a socket as described in the chapter "Connecting the mains cord".
	The house fuse or fault current protection switch has triggered.	Check the extension cord for damages.
	The motor overload protection has triggered because the motor is overloaded or overheated.	Let the leaf blower cool off for 15–20 minutes.
	The mains cord or mains plug is defective.	Have the leaf blower checked by a qualified workshop.
Insufficient power	Tube or shredder is plugged with leftover leaves or debris.	Check the tube and the shredder. If necessary, remove the debris as described in the chapter "Removing blockages".
	The collector bag 5 is full.	Empty the collector bag.
	The mode switch 10 is not set to the correct position.	Set the mode switch to the corresponding position.
	The vents are blocked.	Clean the vents.

Technical data

Model:	GLLS 3000/3
Article number:	94980
Rated voltage:	230 V~
Frequency:	50 Hz
Rated power:	3000 W
Idle speed:	6 000–14 000 rpm
Suction power:	840 m ³ /h
Protection class:	II
Type of protection:	IP 20
Collector bag volume:	approx. 45 l
Weight:	4.2 kg
Measured sound pressure level L_{pA} :	89 dB (A)
Uncertainty K_{pA} :	3 dB (A)
Measured sound power level L_{WA} :	103.28 dB (A)
Uncertainty K_{WA} :	0.58 dB (A)
Guaranteed sound power level L_{WA} :	104 dB (A)
Hand-arm vibration measured on the front handle a_{hv} :	1.508 dB (A)
Uncertainty K:	1.5 dB (A)
Hand-arm vibration measured on the rear handle a_{hv} :	5.987 dB (A)
Uncertainty K:	1.5 dB (A)

Spare parts and accessories

You can order suitable spare parts and accessories online: **www.einhell.co.uk**.

There you will find current prices and information. You should provide the following data when ordering spare parts:

- Model: GLLS 3000/3
- Article number (Einhell)
- Identification no.
- Spare part number of the required spare part

Noise/vibration information



Health hazard!

Working without ear protection and suitable protective clothing poses a health hazard.

- Wear ear protection and suitable protective clothing when working with the device.

Measured as per DIN EN 60745-1. The noise at your workplace may exceed 80 dB (A); protective measures are necessary in this case (wear suitable ear protection).

- Sound pressure level L_{pA} : 89.9 dB (A)
- Sound power level L_{wA} : 103.28 dB (A)
- Uncertainty K: 0.58 dB (A)

The aforementioned values are noise emission values and therefore, do not necessarily represent safe values for the workplace. The correlation between emission and imission levels cannot reliably provide for a conclusion as to whether additional precautionary measures are necessary or not.

Factors that could affect the respective imission level present at the workplace involve the specification of the work area, the surrounding area, the duration of exposure, other noise sources etc.

You must also observe any divergences in national regulations with respect to the permissible workplace levels. The aforementioned information does, however, allow the user to better assess dangers and risks.

- Vibration level a_h : 5.987 m/s²
- Uncertainty K: 1.5 m/s²

ATTENTION!

The aforementioned vibration emission level (vibration value) has been measured in accordance with a test method standardised in DIN EN 60745-1 and can be used to compare one tool to another. It is also suited for preliminary estimation of exposure to vibration. The vibration emission value during actual use of the tool can differ from the declared vibration level depending on the way in which the leaf blower is used, for example:

- condition of the leaf blower or proper maintenance;
- type of material and use of the leaf blower;
- use of the right accessories and whether they are in good condition;
- a firm grip of the leaf blower by the operator;
- proper use of the leaf blower as described in this user manual.

Improper use of the leaf blower can cause vibration-related ailments.

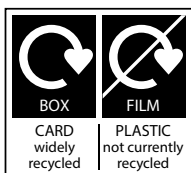
ATTENTION!

Depending on the type of use or conditions of use, the following safety measures must be taken to protect the user:

- Avoid exposure to vibrations as much as possible.
- Only use accessories in perfect working order.
- Wear anti-vibration gloves when using the leaf blower.
- Follow the user manual on care and maintenance of the leaf blower.
- Avoid using the leaf blower at temperatures below 10 °C.
- Plan your work steps so as not to use strongly vibrating devices over several consecutive days.

Disposal

Disposing of the packaging



Sort the packaging materials according to type and dispose of each separately. Dispose of paperboard and cardboard with waste paper and plastics with recyclable waste.

Disposing of the leaf blower

- Dispose of the leaf blower in accordance with the regulations in your country.



Old devices must not be disposed of with household waste!

This symbol indicates that this product must not be disposed of together with domestic waste in compliance with the Directive (2012/19/EU) pertaining to waste electrical and electronic equipment (WEEE). This product must be handed in at a collection point intended for the purpose. This can occur, for example, by handing it in at an authorised collecting point for the recycling of waste electrical and electronic equipment. Owing to potentially hazardous substances that are frequently contained in waste electronic equipment, incorrect handling of waste equipment may have a negative impact on the environment and on the health of human beings. By disposing of this product correctly, you are also contributing towards an efficient use of natural resources. Information on collecting points for waste equipment can be obtained from your municipal authorities, the public law disposal authorities, an authorised institution for the disposal of waste electrical and electronic equipment or the waste collection services.

Declaration of conformity

Einhell Germany AG · Wiesenweg 22 · D-94405 Landau/Isar



Konformitätserklärung

- | | |
|---|---|
| <p>D erklårt folgende Konformität gemäß EU-Richtlinie und Normen für Artikel</p> <p>GB explains the following conformity according to EU directives and norms for the following product</p> <p>F déclare la conformité suivante selon la directive CE et les normes concernant l'article</p> <p>I dichiara la seguente conformità secondo la direttiva UE e le norme per l'articolo</p> <p>NL verklaart de volgende overeenstemming conform EU richtlijn en normen voor het product</p> <p>E declara la siguiente conformidad a tenor de la directiva y normas de la UE para el artículo</p> <p>P declara a seguinte conformidade, de acordo com as diretiva CE e normas para o artigo</p> <p>DK attesterer følgende overensstemmelse i medfør af EU-direktiv samt standarder for artiklet</p> <p>S förklarar följande överensstämmelse enl. EU-direktiv och standarder för artikeln</p> <p>FIN vakuuttaa, että tuote täyttää EU-direktiivin ja standardien vaatimukset</p> <p>EE tõendab toote vastavust EL direktiivile ja standarditele</p> <p>CZ vydává následující prohlášení o shodě podle směrnice EU a norem pro výrobek</p> <p>SLO potrjuje sledečo skladnost s smernico EU in standardi za izdelek</p> <p>SK vydáva nasledujúce prehlásenie o zhode podľa smernice EÚ a noriem pre výrobok</p> <p>H a cikkekhez az EU-irányvonal és Normák szerint a következő konformitást jelenti ki</p> | <p>PL deklaruje zgodność wymienionego poniżej artykułu z następującymi normami na podstawie dyrektywy WE.</p> <p>BG декларира съответното съответствие съгласно Директива на ЕС и норми за артикул</p> <p>LV raskaidro šādu atbilstību ES direktīvai un standartiem</p> <p>LT apibūdina šį atitikimą EU reikalavimams ir prekės normoms</p> <p>RO declară următoarea conformitate conform directivei UE și normelor pentru articolul</p> <p>GR δηλώνει την ακόλουθη συμμόρφωση σύμφωνα με την Οδηγία ΕΚ και τα πρότυπα για το προϊόν</p> <p>HR potvrđuje sljedeću usklađenost prema smjernicama EU i normama za artikl</p> <p>BIH potvrđuje sljedeću usklađenost prema smjernicama EU i normama za artikl</p> <p>RS potvrđuje sljedeću usklađenost prema smernicama EZ i normama za artikal</p> <p>RUS следующим удостоверяется, что следующие продукты соответствуют директивам и нормам ЕС</p> <p>UKR проголошує про зазначену нижче відповідність виробу директивам та стандартам ЄС на виріб</p> <p>MK ja izjauva slednata soobraznost согласно EУ-директивата и нормите за артикли</p> <p>TR Ürünü ile ilgili AB direktifleri ve normları gereğince aşağıda açıklanan uygunluğu belirtir</p> <p>N erklærer følgende samsvar i henhold til EU-direktivet og standarder for artikkel</p> <p>IS Lýsir uppfyllingu EU-reglna og annarra staðla vöru</p> |
|---|---|

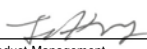
Electric Leaf Vacuum GLLS 3000/3 (Gardenline)

- | | |
|---|--|
| <input type="checkbox"/> 2014/29/EU | <input checked="" type="checkbox"/> 2006/42/EC |
| <input type="checkbox"/> 2005/32/EC_2009/125/EC | <input type="checkbox"/> Annex IV
Notified Body:
Notified Body No.:
Reg. No.: |
| <input type="checkbox"/> 2014/35/EU | |
| <input type="checkbox"/> 2006/28/EC | |
| <input checked="" type="checkbox"/> 2014/30/EU | <input checked="" type="checkbox"/> 2000/14/EC_2005/88/EC |
| <input type="checkbox"/> 2014/32/EU | <input checked="" type="checkbox"/> Annex V |
| <input type="checkbox"/> 2014/53/EC | <input type="checkbox"/> Annex VI
Noise: measured $L_{WA} = 103,28 + 0,58$ dB (A); guaranteed $L_{WA} = 104$ dB (A)
$P = 3,0$ KW; $L/\varnothing =$ cm |
| <input type="checkbox"/> 2014/68/EU | Notified Body: |
| <input type="checkbox"/> 90/396/EC_2009/142/EC | <input type="checkbox"/> 2012/46/EU
Emission No.: |
| <input type="checkbox"/> 89/686/EC_96/58/EC | |
| <input checked="" type="checkbox"/> 2011/65/EU | |

Standard references: EN 55014-1:2006+A2; EN 55014-2:2015; EN 60335-1:2012+A12; EN 50636-2-100:2014; EN 61000-3-2:2014; EN 61000-3-3:2013; EN 62233:2008

Landau/Isar, den 15.02.2017


Weichselgartner/General-Manager


Liu/Product-Management

First CE: 13
Art.-No.: 34.333.18 I.-No.: 11017
Subject to change without notice

Archive-File/Record: NAPR016170
Documents registrar: Daniel Laubmeier
Wiesenweg 22, D-94405 Landau/Isar



Great care has gone into the manufacture of this product and it should therefore provide you with years of good service when used properly. In the event of product failure within its intended use over the course of the first 3 years after date of purchase, we will remedy the problem as quickly as possible once it has been brought to our attention. In the unlikely event of such an occurrence, or if you require any information about the product, please contact us via our helpline support services, details of which are to be found both in this manual and on the product itself.



PRODUCED IN CHINA FOR:

ALDI STORES LTD. PO BOX 26, ATHERSTONE
WARWICKSHIRE, CV9 2SH.

ALDI STORES (IRELAND) LTD.
PO BOX 726, NAAS, CO. KILDARE.
Visit us at www.aldi.com

AFTER SALES SUPPORT

94980



GB 0044 151 649 1500

IRE 0044 1890 946 244



www.einhell.co.uk

MODEL:
GLLS 3000/3

09/2017

3
YEAR
WARRANTY