

USING THE ELECTRIC STAPLE GUN

IMPORTANT: Read all the safety warnings in the User Instructions before you start using the Electric Staple Gun.

IMPORTANT: Ensure you wear/use all the appropriate Personal Protective Safety equipment while you are using the stapler.

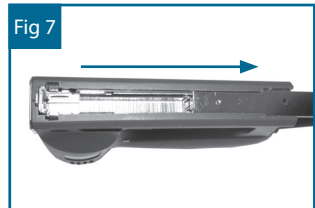
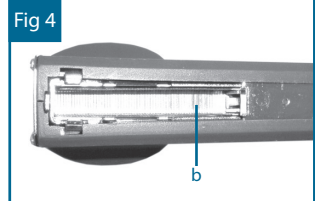
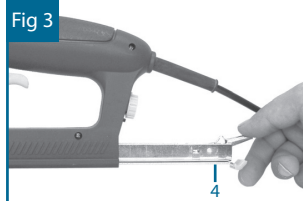
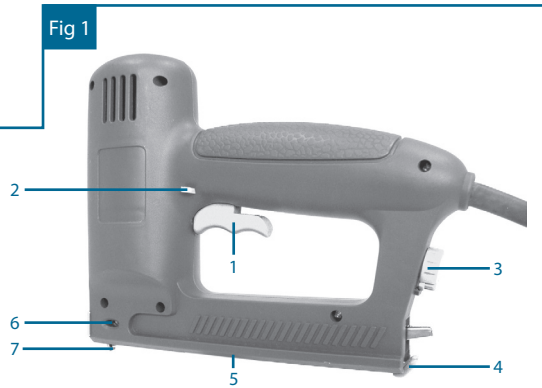
EASY STEPS TO GETTING STARTED

1) Unpack the Electric Staple Gun

- a) Open the carton carefully and remove all items:
- Electric Staple Gun
 - 400 x 10 mm Staples
 - 100 x 14 mm Brad Nails

- b) Ensure you have all items before you discard the packaging.

- 1 Trigger
- 2 Trigger interlock
- 3 Stapling controller
- 4 Magazine slide
- 5 Magazine
- 6 Filling level indicator
- 7 Electric Staple Gun head



Continued overleaf...

EASY STEPS TO GETTING STARTED - CONTINUED**2) Inserting the staples or nails (Fig. 2-6)**

- Remove the Mains Plug from the wall socket.
- Press the lever (a) on the magazine slide (4) downwards (Fig. 2).
- Pull the magazine slide (4) to the rear as far as the stop (Fig. 3).
- Fill the magazine with staples (Fig. 4-b & 5).
- When you fill the magazine with nails, make sure that these rest against the left inner side (Fig. 4 & Fig. 6) of the magazine.
- Then slide the magazine slide back in until it stops and snaps noticeably into place.

IMPORTANT: It must be possible to move the magazine slide without applying much force. Watch out for jammed staples and nails.

3) Triggering shots

The built-in trigger interlock prevents the Electric Staple Gun from being triggered accidentally.

Triggering is only possible as follows:

- Push the trigger interlock (2) into the 'ON' position.
- Press the head of the Electric Staple Gun against the material and operate the trigger (1).

4) Maintenance

There is a risk of staples becoming jammed particularly when the Electric Staple Gun is held at any angle when operated. In this case, switch the tool off immediately and remove the Mains Plug from the wall socket.

IMPORTANT: Always remove the Mains Plug from the wall socket before doing any work on the Electric Staple Gun.

IMPORTANT: Refer to the User Instructions for all other information.