

# Einhell

## TC-VC 1820 SA

---

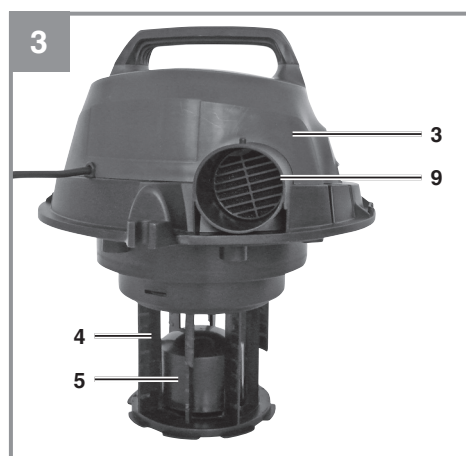
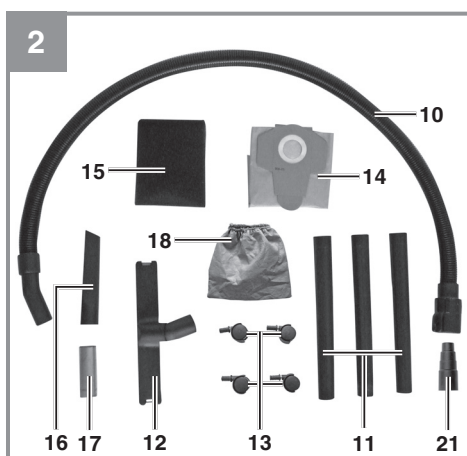
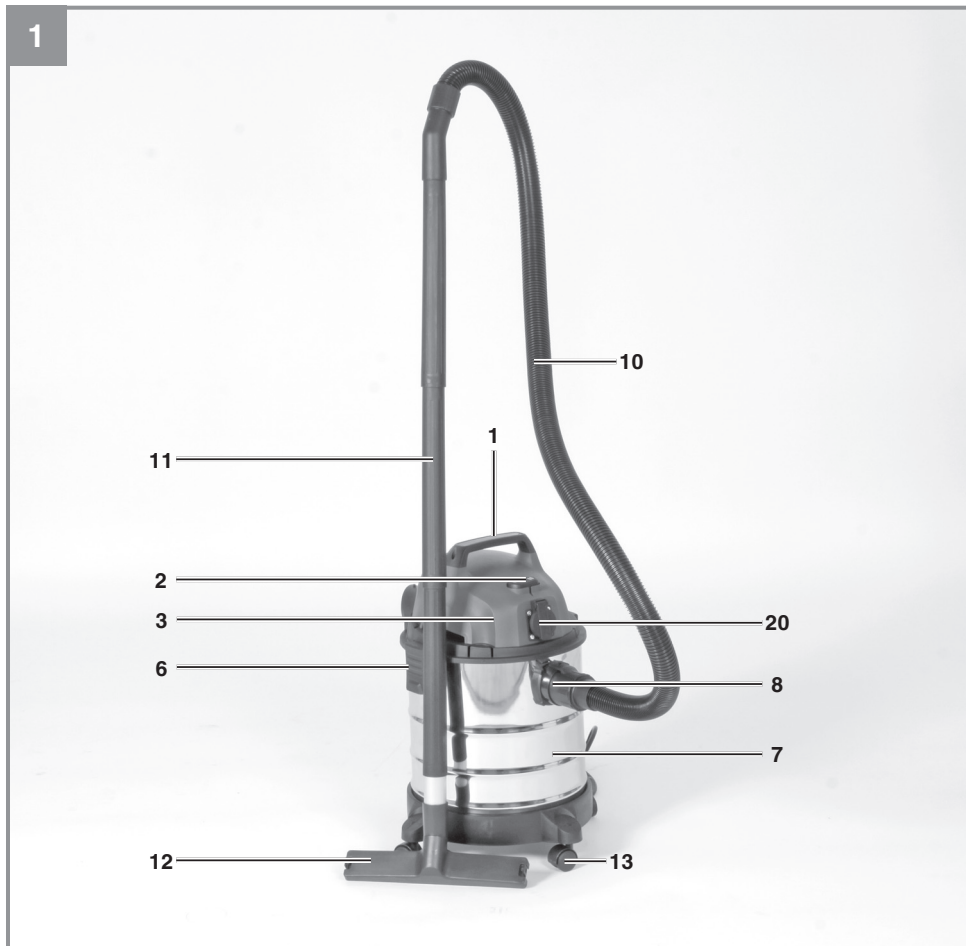
**GB** Original operating instructions  
Wet and dry vacuum cleaner

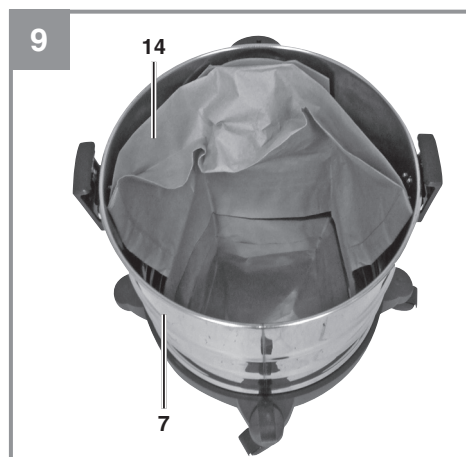
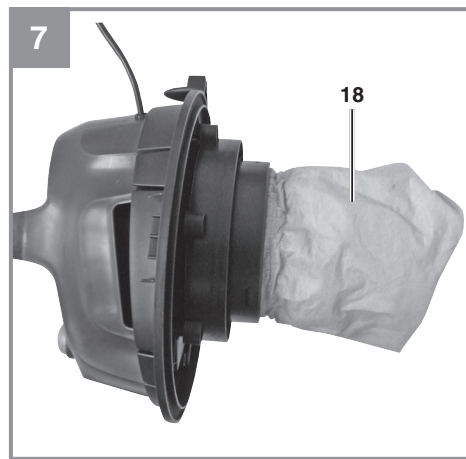
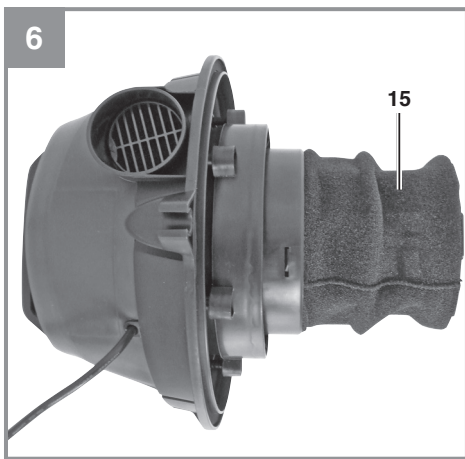
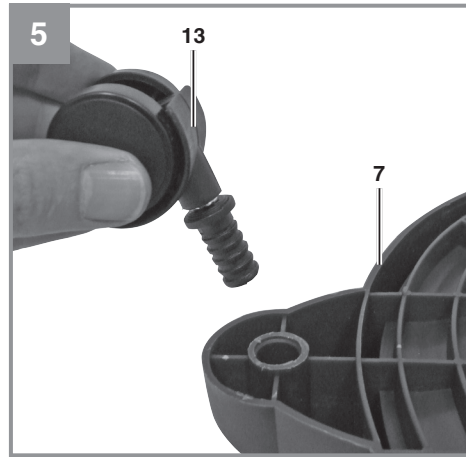
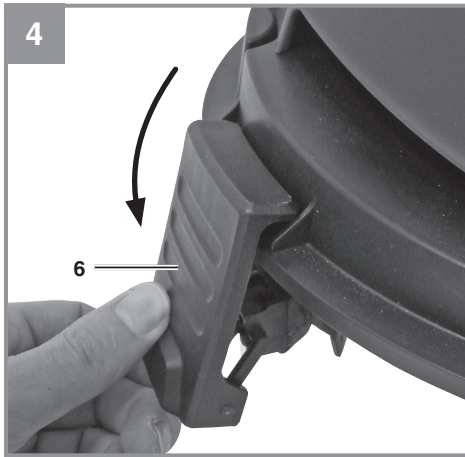


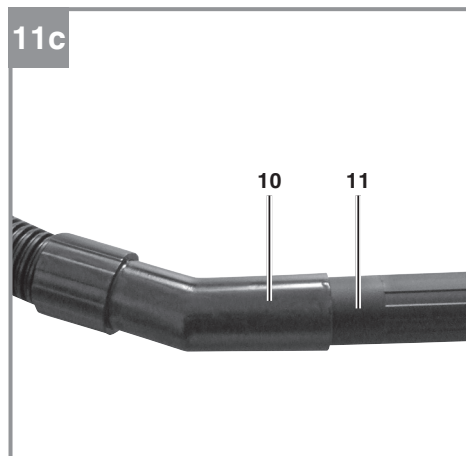
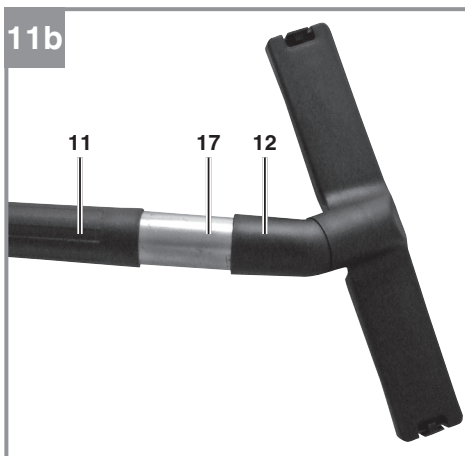
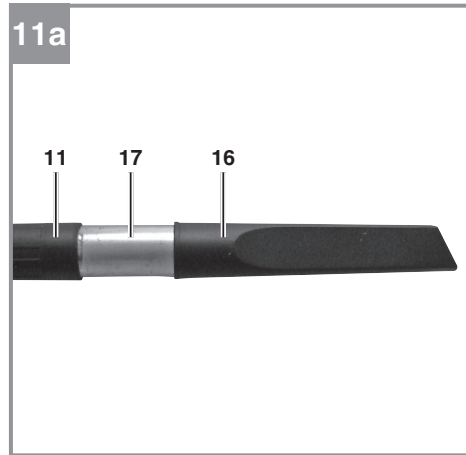
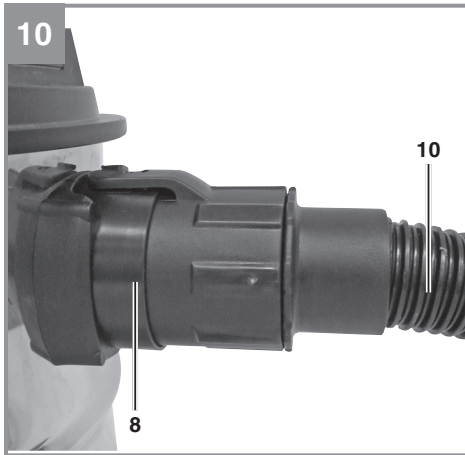
---

**Art.-Nr.: 23.424.26**

**I.-Nr.: 11017**







GB



**Danger!** - Read the operating instructions to reduce the risk of injury

**Danger!**

When using the equipment, a few safety precautions must be observed to avoid injuries and damage. Please read the complete operating instructions and safety regulations with due care. Keep this manual in a safe place, so that the information is available at all times. If you give the equipment to any other person, hand over these operating instructions and safety regulations as well. We cannot accept any liability for damage or accidents which arise due to a failure to follow these instructions and the safety instructions.

**1. Safety regulations****Danger!****Read all safety regulations and instructions.**

Any errors made in following the safety regulations and instructions may result in an electric shock, fire and/or serious injury.

**Keep all safety regulations and instructions in a safe place for future use.**

- Important: read the operating instructions before assembling and using the appliance for the first time.
- Check that the mains voltage is the same as the mains voltage specified on the rating plate.
- Pull out the power plug in the following circumstances: whenever the appliance is not in use, before opening the appliance and before all cleaning and maintenance work.
- Never clean the appliance with solvents.
- Never pull the plug out of the socket by pulling the cable.
- Never leave the appliance unattended when operational.
- Keep away from children.
- Take care to ensure that the power cable does not get damaged by being run over, crushed, pulled or suchlike.
- Do not use the machine if the power cable is in a less than perfect condition.
- If the power cable has to be replaced, the replacement must comply with the design specifications of the manufacturer.
- Power cable: H 05 VV - F 1 x 1.5 mm<sup>2</sup>
- Never vacuum the following: burning matches, smoldering ash and cigarette butts, combustible, caustic, inflammable or explosive substances, vapor or liquids.
- This appliance is not suitable for vacuuming

dust which can be harmful to health.

- Store the appliance in a dry indoor location.
- Never use the appliance if it is damaged.
- Only allow the appliance to be serviced by an authorized after sales service outlet.
- Only use the appliance to carry out work for which has been designed.
- Take extra care when cleaning steps.
- Use only genuine accessories and spare parts.

This equipment is not designed to be used by people (including children) with limited physical, sensory or mental capacities or those with no experience and/or knowledge unless they are supervised by a person who is responsible for their safety or they have received instructions from such a person in how to use the equipment safely. Children must always be supervised in order to ensure that they do not play with the equipment.

**2. Layout and items supplied****2.1 Layout (Fig. 1-3)**

- 1 Handle
- 2 ON/OFF/Automatic switch
- 3 Appliance head
- 4 Filter basket
- 5 Safety float valve
- 6 Locking hook
- 7 Container
- 8 Suction hose connector
- 9 Blow connector
10. Flexible hose
- 11 3-part suction tube
- 12 Combination nozzle
- 13 Castors
- 14 Dirt bag
- 15 Foamed plastic filter
- 16 Crevice nozzle
- 17 Adapter
- 18 Additional filter
- 19 Hook for cable store
- 20 Automatic socket-outlet for electric tools
- 21 Electric tool adapter

## 2.2 Items supplied

Please check that the article is complete as specified in the scope of delivery. If parts are missing, please contact our service center or the nearest branch of the DIY store where you made your purchase at the latest within 5 work days after purchasing the article and upon presentation of a valid bill of purchase. Also, refer to the warranty table in the warranty provisions at the end of the operating instructions.

- Open the packaging and take out the equipment with care.
- Remove the packaging material and any packaging and/or transportation braces (if available).
- Check to see if all items are supplied.
- Inspect the equipment and accessories for transport damage.
- If possible, please keep the packaging until the end of the guarantee period.

### Danger!

**The equipment and packaging material are not toys. Do not let children play with plastic bags, foils or small parts. There is a danger of swallowing or suffocating!**

- Flexible suction hose
- 3-piece suction tube
- Dual purpose nozzle
- 4x wheels
- Dirt bag
- Foam filter
- Crevice nozzle
- Adapter
- Additional filter
- Electric tool adapter
- Original operating instructions

## 3. Proper use

The wet and dry vacuum cleaner is designed for wet and dry vacuuming using the appropriate filter. The appliance is not suitable for the vacuuming of combustible, explosive or harmful substances.

The equipment is to be used only for its prescribed purpose. Any other use is deemed to be a case of misuse. The user / operator and not the manufacturer will be liable for any damage or injuries of any kind caused as a result of this.

Please note that our equipment has not been designed for use in commercial, trade or industrial applications. Our warranty will be voided if the equipment is used in commercial, trade or industrial businesses or for equivalent purposes.

## 4. Technical data

Mains voltage: ..... 220-240 V ~ 50/60 Hz  
 Power consumption: ..... 1250 W  
 Max. power consumption of the automatic socket-outlet: ..... 1740 W  
 Max. total power consumption: ..... 2990 W  
 Tank volume: ..... 18 l  
 Weight: ..... approx. 4.7 kg  
 Wet vacuuming - max. water temperature ... 40 °C

## 5. Before starting the equipment

### Warning!

Before you connect the equipment to the mains supply make sure that the data on the rating plate are identical to the mains data.

The equipment may be connected only to a shock-proof socket-outlet.

### 5.1 Appliance assembly

#### Fitting the appliance head (Fig. 4)

The appliance head (3) is fastened to the container (7) by the locking hook (6). To remove the appliance head (3), open the locking hook (6) and remove the appliance head (3). When fitting the appliance head (3), make sure that the locking hook (6) locks into place correctly.

**Fitting the castors (Fig. 5)**

Fit the castors (13) in accordance with Fig. 5.

**Fitting the handle (Fig. 8)**

Use a screwdriver to fit the handle (1).

**5.2 Fitting the filter****Notice!**

Never use the wet and dry vacuum cleaner without a filter!

Always ensure that the filters are perfectly secure!

**Fitting the foam filter (Fig. 6)**

For wet-vacuuming, slip the supplied foamed plastic filter (15) over the filter basket.

**Fitting the additional filter (Fig. 7)**

For dry vacuum cleaning always use the supplied additional filter (18). Mount the additional filter, so that no air is sucked through the filter cage (4) without being filtered.

**Assembling the dirt bag (Fig. 9)**

For vacuuming fine, dry dirt it is recommended that you fit the dirt bag (14). Slip the dirt bag (14) over the vacuuming hole. The dirt bag (14) is suitable for dry-vacuuming only. The dirt bag makes it easier to dispose of the sucked-in dust.

**5.3 Fitting the suction hose (Fig. 3, 10, 11)**

Connect the suction hose (10) to the corresponding connector on the wet and dry vacuum cleaner, depending on the application required.

**Vacuuming**

Connect the suction hose (10) to the suction hose connector (8)

**Blowing**

Connect the suction hose (10) to the blow connector (9)

One or more of the elements which make up the 3-part suction tube (11) can be attached to the suction hose (10) to extend it. The adapter (17) must be inserted between the suction tube (10) and the combination nozzle (12) or crevice nozzle (17).

**5.4 Suction nozzles (Fig. 2)****Combination nozzle**

The dual-purpose nozzle (12) is for vacuuming solids and liquids over medium to large areas.

**Crevice nozzle**

The crevice nozzle (16) is designed for vacuuming solids and liquids in corners, edges and other areas that are difficult to access.

**6. Operation****6.1 On/Off switch (Fig. 1)**

Switch position 0:	Off
Switch position I:	Normal mode
Switch position AUTO:	Automatic mode

**6.2 Dry vacuuming**

Use the dirt bag (14) and the additional filter (18) for dry vacuuming (see point 5.2).

Always ensure that the filters are perfectly secure.

**6.3 Wet vacuuming**

For wet-vacuuming, use the foam filter (15) (see point 5.2).

Check that the filter is securely fitted at all times.

When wet vacuuming, the floating safety switch (fig. 3/5) closes when the maximum tank level is reached. In doing so, the suction noise of the equipment will change and become louder. You must then switch off the equipment and empty the tank.

**Danger!**

The wet and dry vacuum cleaner is not suitable for the vacuuming of combustible liquids. For wet vacuuming, use only the supplied foam filter.

**6.4 Automatic mode (Fig. 1)**

Connect the power cable on your electric tool to the automatic socket-outlet (20) and connect the suction hose (10) to the extractor connector on your electric tool. Check that the connections are secure and air-tight.

You can use the supplied electric tool adaptor (21) to connect the suction hose (10) to the electric tool. To do so, fit it between the suction hose and the extractor port on the electric tool.

Set the switch (2) on the wet and dry vacuum cleaner to position AUTO (automatic mode). The moment you switch on the electric tool, the wet and dry vacuum cleaner switches on as well.

When you switch off the electric tool, the wet and dry vacuum cleaner switches off as well after a pre-set delay.



### 6.5 Blowing

Connect the suction hose (10) to the blow connector (9) on the wet and dry vacuum cleaner.

## 7. Cleaning, maintenance and ordering of spare parts

### Danger!

Always pull out the mains power plug before starting any cleaning work.

### 7.1 Cleaning

- Keep all safety devices, air vents and the motor housing free of dirt and dust as far as possible.
- We recommend that you clean the equipment immediately after you use it.

### 7.2 Cleaning the appliance head (3)

Clean the appliance regularly with a damp cloth and some soft soap. Do not use cleaning agents or solvents; these may be aggressive to the plastic parts in the appliance.

### 7.3 Cleaning the container (7)

The container can be cleaned with a damp cloth and some soft soap or under running water, depending on the amount of dirt.

### 7.4 Cleaning the foam filter (15)

Clean the foam filter (15) with a little soft soap under running water and allow it to air-dry.

### 7.5 Servicing

At regular intervals and before each use, check that the filters in the wet and dry vacuum cleaner are securely fitted.

### 7.6. Ordering spare parts

Please provide the following information on all orders for spare parts:

- Model/type of the equipment
- Article number of the equipment
- ID number of the equipment
- Part number of the required spare part

For our latest prices and information please go to [www.isc-gmbh.info](http://www.isc-gmbh.info)

## 8. Replacing the power cable

### Danger!

If the power cable for this equipment is damaged, it must be replaced by the manufacturer or its after-sales service or similarly trained personnel to avoid danger.

## 9. Disposal and recycling

The equipment is supplied in packaging to prevent it from being damaged in transit. The raw materials in this packaging can be reused or recycled. The equipment and its accessories are made of various types of material, such as metal and plastic. Never place defective equipment in your household refuse. The equipment should be taken to a suitable collection center for proper disposal. If you do not know the whereabouts of such a collection point, you should ask in your local council offices.

## 10. Storage

Store the equipment and accessories in a dark and dry place at above freezing temperature. The ideal storage temperature is between 5 and 30 °C. Store the electric tool in its original packaging.



For EU countries only

Never place any electric power tools in your household refuse.

To comply with European Directive 2012/19/EC concerning old electric and electronic equipment and its implementation in national laws, old electric power tools have to be separated from other waste and disposed of in an environment-friendly fashion, e.g. by taking to a recycling depot.

Recycling alternative to the return request:

As an alternative to returning the equipment to the manufacturer, the owner of the electrical equipment must make sure that the equipment is properly disposed of if he no longer wants to keep the equipment. The old equipment can be returned to a suitable collection point that will dispose of the equipment in accordance with the national recycling and waste disposal regulations. This does not apply to any accessories or aids without electrical components supplied with the old equipment.

The reprinting or reproduction by any other means, in whole or in part, of documentation and papers accompanying products is permitted only with the express consent of the iSC GmbH.

Subject to technical changes

## Service information

We have competent service partners in all countries named on the guarantee certificate whose contact details can also be found on the guarantee certificate. These partners will help you with all service requests such as repairs, spare and wearing part orders or the purchase of consumables.

Please note that the following parts of this product are subject to normal or natural wear and that the following parts are therefore also required for use as consumables.

Category	Example
Wear parts*	Combination nozzle, crevice nozzle, upholstery nozzle, electric tool adapter, etc.
Consumables*	Pleated filter, foam filter, dirt bag, additional filter, etc.
Missing parts	

\* Not necessarily included in the scope of delivery!

In the event of defects or faults, please register the problem on the internet at [www.isc-gmbh.info](http://www.isc-gmbh.info). Please ensure that you provide a precise description of the problem and answer the following questions in all cases:

- Did the equipment work at all or was it defective from the beginning?
- Did you notice anything (symptom or defect) prior to the failure?
- What malfunction does the equipment have in your opinion (main symptom)?  
Describe this malfunction.

## Warranty certificate

Dear Customer,

All of our products undergo strict quality checks to ensure that they reach you in perfect condition. In the unlikely event that your device develops a fault, please contact our service department at the address shown on this guarantee card. You can also contact us by telephone using the service number shown. Please note the following terms under which guarantee claims can be made:

1. These guarantee terms apply to consumers only, i.e. natural persons intending to use this product neither for their commercial activities nor for any other self-employed activities. These warranty terms regulate additional warranty services, which the manufacturer mentioned below promises to buyers of its new products in addition to their statutory rights of guarantee. Your statutory guarantee claims are not affected by this guarantee. Our guarantee is free of charge to you.
2. The warranty services cover only defects due to material or manufacturing faults on a product which you have bought from the manufacturer mentioned below and are limited to either the rectification of said defects on the product or the replacement of the product, whichever we prefer.  
Please note that our devices are not designed for use in commercial, trade or professional applications. A guarantee contract will not be created if the device has been used by commercial, trade or industrial business or has been exposed to similar stresses during the guarantee period.
3. The following are not covered by our guarantee:
  - Damage to the device caused by a failure to follow the assembly instructions or due to incorrect installation, a failure to follow the operating instructions (for example connecting it to an incorrect mains voltage or current type) or a failure to follow the maintenance and safety instructions or by exposing the device to abnormal environmental conditions or by lack of care and maintenance.
  - Damage to the device caused by abuse or incorrect use (for example overloading the device or the use of unapproved tools or accessories), ingress of foreign bodies into the device (such as sand, stones or dust, transport damage), the use of force or damage caused by external forces (for example by dropping it).
  - Damage to the device or parts of the device caused by normal or natural wear or tear or by normal use of the device.
4. The guarantee is valid for a period of 24 months starting from the purchase date of the device. Guarantee claims should be submitted before the end of the guarantee period within two weeks of the defect being noticed. No guarantee claims will be accepted after the end of the guarantee period. The original guarantee period remains applicable to the device even if repairs are carried out or parts are replaced. In such cases, the work performed or parts fitted will not result in an extension of the guarantee period, and no new guarantee will become active for the work performed or parts fitted. This also applies if an on-site service is used.
5. To make a claim under the guarantee, please register the defective device at: [www.isc-gmbh.info](http://www.isc-gmbh.info). Please keep your bill of purchase or other proof of purchase for the new device. Devices that are returned without proof of purchase or without a rating plate shall not be covered by the guarantee, because appropriate identification will not be possible. If the defect is covered by our guarantee, then the item in question will either be repaired immediately and returned to you or we will send you a new replacement.

Of course, we are also happy offer a chargeable repair service for any defects which are not covered by the scope of this guarantee or for units which are no longer covered. To take advantage of this service, please send the device to our service address.

Also refer to the restrictions of this warranty concerning wear parts, consumables and missing parts as set out in the service information in these operating instructions.

**Konformitätserklärung**

- D** erklårt folgende Konformität gemäß EU-Richtlinie und Normen für Artikel
- GB** explains the following conformity according to EU directives and norms for the following product
- F** déclare la conformité suivante selon la directive CE et les normes concernant l'article
- I** dichiara la seguente conformità secondo la direttiva UE e le norme per l'articolo
- NL** verklaart de volgende overeenstemming conform EU richtlijn en normen voor het product
- E** declara la siguiente conformidad a tenor de la directiva y normas de la UE para el artículo
- P** declara a seguinte conformidade, de acordo com as diretiva CE e normas para o artigo
- DK** attesterer følgende overensstemmelse i medfør af EU-direktiv samt standarder for artikel
- S** förklarar följande överensstämmelse enl. EU-direktiv och standarder för artikeln
- FIN** vakuuttaa, että tuote täyttää EU-direktiivin ja standardien vaatimukset
- EE** tõendab toote vastavust EL direktiivile ja standarditele
- CZ** vydává následující prohlášení o shodě podle směrnice EU a norem pro výrobek
- SLO** potrjuje sledečo skladnost s smernico EU in standardi za izdelek
- SK** vydáva nasledujúce prehlásenie o zhode podľa smernice EÚ a noriem pre výrobok
- H** a cikkekhez az EU-irányvonal és Normák szerint a következő konformitást jelenti ki
- PL** deklaruje zgodność wymienionego ponizej artykułu z następującymi normami na podstawie dyrektywy WE.
- BG** декларира съответното съответствие съгласно Директива на ЕС и норми за артикул
- LV** paskaidro šādu atbilstību ES direktīvai un standartiem
- LT** apibūdina šį atitikimą EU reikalavimams ir prekės normoms
- RO** declară următoarea conformitate conform directivei UE și normelor pentru articolul
- GR** δηλώνει την ακόλουθη συμμόρφωση σύμφωνα με την Οδηγία ΕΚ και τα πρότυπα για το προϊόν
- HR** potvrđuje sljedeću usklađenost prema smjernicama EU i normama za artikl
- BIH** potvrđuje sljedeću usklađenost prema smjernicama EU i normama za artikl
- RS** potvrđuje sledeću usklađenost prema smernicama EZ i normama za artikal
- RUS** следующим удостоверяется, что следующие продукты соответствуют директивам и нормам ЕС
- UKR** проголошує про зазначену нижче відповідність виробу директивам та стандартам ЄС на виробі
- MK** ja izjavува следната сообрзност согласно EУ-директивата и нормите за артикли
- TR** Ürünü ile ilgili AB direktifleri ve normları gereğince aşağıda açıklanan uygunluğu belirtir
- N** erklærer følgende samsvar i henhold til EU-direktivet og standarder for artikkel
- IS** Lýsir uppfyllingu EU-reglna og annarra staðla vöru

**Wet and Dry Vacuum Cleaner TC-VC 1820 SA (Einhell)**

- |  |   |
|--|---|
| <input type="checkbox"/> 2014/29/EU                        | <input type="checkbox"/> 2006/42/EC                             |
| <input checked="" type="checkbox"/> 2005/32/EC_2009/125/EC | <input type="checkbox"/> Annex IV                               |
| <input checked="" type="checkbox"/> 2014/35/EU             | Notified Body:  |
| <input type="checkbox"/> 2006/28/EC                        | Notified Body No.:  |
| <input checked="" type="checkbox"/> 2014/30/EU             | Reg. No.:   |
| <input type="checkbox"/> 2014/32/EU                        | <input type="checkbox"/> 2000/14/EC_2005/88/EC                  |
| <input type="checkbox"/> 2014/53/EC                        | <input type="checkbox"/> Annex V                                |
| <input type="checkbox"/> 2014/68/EU                        | <input type="checkbox"/> Annex VI                               |
| <input type="checkbox"/> 90/396/EC_2009/142/EC             | Noise: measured $L_{WA}$ = dB (A); guaranteed $L_{WA}$ = dB (A) |
| <input type="checkbox"/> 89/686/EC_96/58/EC                | P = KW; L/O = cm  |
| <input checked="" type="checkbox"/> 2011/65/EU             | Notified Body:  |
|  | <input type="checkbox"/> 2012/46/EU                             |
|  | Emission No.:   |

**Standard references: EN 60335-1; EN 60335-2-2;  
EN 62233; EN 55014-1; EN 55014-2; EN 61000-3-2; EN 61000-3-3**

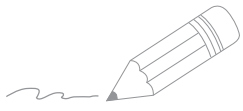
Landau/Isar, den 03.11.2017

  
Weichselgartner/General-Manager

  
Dong/Product-Management

First CE: 17  
Art.-No.: 23.424.26 I.-No.: 11017  
Subject to change without notice

Archive-File/Record: NAPR017834  
Documents registrar: Sergey Hirsekorn  
Wiesenweg 22, D-94405 Landau/Isar



A series of 20 horizontal lines, evenly spaced, extending across the width of the page. The lines are intended for writing or drawing.



A series of horizontal lines for writing, starting from the top right and extending down to the bottom of the page.



EH 12/2017 (01)

