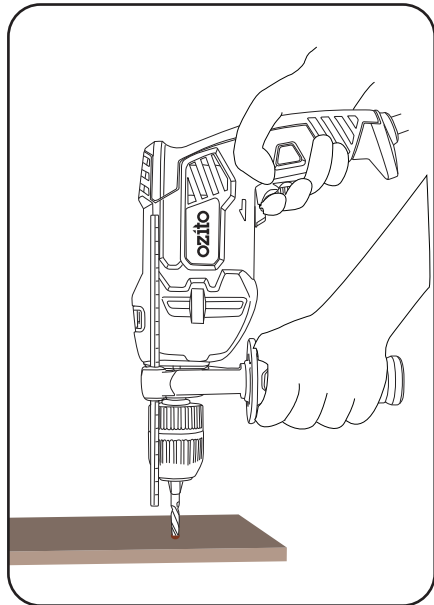


OPERATION

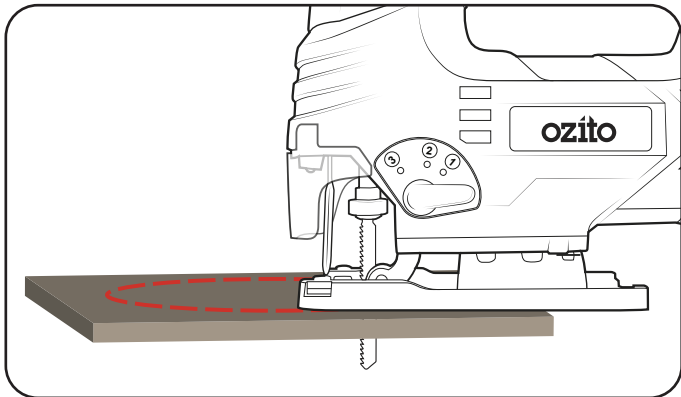
9. POCKET CUTTING

A pocket cut is when you need to cut a hole in the middle of a workpiece

- 1 Drill a hole in the workpiece using a drill bit.



- 2 Pass the blade through the hole and begin the cut.



TROUBLESHOOTING

Excessive sparking visible through the housing air vents and/or the jigsaw failing to operate

May indicate the carbon brushes have worn out and need to be replaced. Carbon brushes should only be replaced by a qualified electrician or power tool repairer.

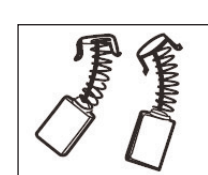
Cutting Metal

Your jigsaw can be used for cutting light gauge ferrous sheet and non-ferrous metals such as copper, brass, aluminium, etc. It is advisable when cutting sheet metal to clamp a backing sheet of soft wood or plywood to the work as this will enable you to obtain a clean cut without vibration and the possibility of tearing the metal. Both metal and wood backing are sawn together. Do not force the cutting blade into the metal as this will reduce the life of the blade and possibly damage the motor. Cutting thin metal will take longer than cutting even a relatively thick piece of wood, so do not be tempted to speed up the operation by forcing the saw. Spread a thin film of oil along the proposed cutting line before commencing to saw metal. Always select the right blade for the job.

MAINTENANCE

1. After each use, blow air through the tool housing to ensure it is free from all dust particles that may build up. Build up of dust particles may cause the tool to overheat and fail.
2. If the enclosure of the tool requires cleaning do not use solvents but a moist soft cloth only. Never let any liquid get inside the tool; never immerse any part of the tool into a liquid.

Carbon Brushes



When the carbon brushes wear out, the jigsaw will spark and/or stop. Discontinue use as soon as this happens. They should be replaced prior to recommencing use of the jigsaw. Carbon brushes are a wearing component of the jigsaw therefore not covered under warranty. Continuing to use the jigsaw when carbon brushes need to be replaced may cause permanent damage to the jigsaw. Carbon

brushes will wear out after many uses but when the carbon brushes need to be replaced, take the jigsaw to an electrician or a power tool repairer for a quick and low cost replacement. Always replace both carbon brushes at the same time.

Note: Ozito Industries will not be responsible for any damage or injuries caused by the repair of the jigsaw by an unauthorised person or by mishandling of the jigsaw.

SPARE PARTS

Spare parts can be ordered from the Special Orders Desk at your local Bunnings Warehouse or Homebase store.

For further information, or any parts visit www.ozito-diy.co.uk or contact Ozito Customer Service: Great Britain: 0151 294 4488 Ireland: 1850 882711 E-mail: info@ozito-diy.co.uk

DESCRIPTION OF SYMBOLS



Danger! Read the operating instructions to reduce the risk of injury.



Double insulated / Protection class II



Caution! Wear ear-muffs. The impact of noise can cause damage to hearing.



Caution! Wear a breathing mask. Dust which is injurious to health can be generated when working on wood and other materials. Never use the device to work on any materials containing asbestos!



Caution! Wear safety goggles. Sparks generated during working or splinters, chips and dust emitted by the device can cause loss of sight.

SOUND & VIBRATION

Sound and vibration values were measured in accordance with EN 60745.

L_{pa} sound pressure level:	85.0 dB
K_{pa} uncertainty:	3 dB
L_{wa} sound power level:	96.0 dB
K_{wa} uncertainty:	3 dB

Wear ear-muffs.

The impact of noise can cause damage to hearing.

Total vibration values (vector sum of three directions) determined in accordance with EN 60745.

Cutting wood

Vibration emission value a_{hv} = 12.06 m/s²
K uncertainty = 1.5 m/s²

Cutting sheet metal

Vibration emission value a_{hv} = 9.80 m/s²
K uncertainty = 1.5 m/s²

Additional information for electric power tools

Warning!

The specified vibration value was established in accordance with a standardized testing method. It may change according to how the electric equipment is used and may exceed the specified value in exceptional circumstances. The specified vibration value can be used to compare the equipment with other electric power tools. The specified vibration value can be used for initial assessment of a harmful effect.

Keep the noise emissions and vibrations to a minimum.

- Only use appliances which are in perfect working order.
- Service and clean the appliance regularly.
- Adapt your working style to suit the appliance.
- Do not overload the appliance.
- Have the appliance serviced whenever necessary.
- Switch the appliance off when it is not in use.
- Wear protective gloves.

DECLARATION OF CONFORMITY

ISC GmbH · Eschenstraße 6 · D-94405 Landau/Isar



explains the following conformity according to EU directives and norms for the following product

Pendulum Jigsaw-8100U (Ozito)

<input type="checkbox"/> 2014/29/EU	<input checked="" type="checkbox"/> 2006/42/EC
<input type="checkbox"/> 2005/32/EC_2009/125/EC (EU)2015/1188	<input type="checkbox"/> Annex IV Notified Body:
<input type="checkbox"/> 2014/35/EU	<input type="checkbox"/> 2000/14/EC_2005/88/EC
<input type="checkbox"/> 2006/28/EC	<input type="checkbox"/> Annex V
<input checked="" type="checkbox"/> 2014/30/EU	<input type="checkbox"/> Annex VI
<input type="checkbox"/> 2014/32/EU	Noise: measured L_{wa} = dB (A); guaranteed L_{wa} = dB (A)
<input type="checkbox"/> 2014/53/EU	P = KW; L/D = cm
<input type="checkbox"/> 2014/68/EU	Notified Body:
<input type="checkbox"/> (EU)2016/426	<input type="checkbox"/> 2012/46/EU_(EU)2016/1628
Notified Body:	Emission No.:
<input type="checkbox"/> (EU)2016/425	
<input checked="" type="checkbox"/> 2011/65/EU_(EU)2015/863	

Standard references: EN 62841-1; EN 62841-2-11; EN 55014-1; EN 55014-2; EN 61000-3-2; EN 61000-3-3; EN 62321

Landau/Isar, den 11.12.2019

First CE: 17

Art.-No.: 30.002.44 L-No.: 11017

Subject to change without notice

Archive-File/Record: NAPR017964

Documents registrar: Georg Riedel

Wiesenerweg 22, D-94405 Landau/Isar



For EU countries only

Never place any electric power tools in your household refuse.

To comply with European Directive 2012/19/EC concerning old electric and electronic equipment and its implementation in national laws, old electric power tools have to be separated from other waste and disposed of in an environment-friendly fashion, e.g. by taking to a recycling depot.

Recycling alternative to the return request:

As an alternative to returning the equipment to the manufacturer, the owner of the electrical equipment must make sure that the equipment is properly disposed of if he no longer wants to keep the equipment. The old equipment can be returned to a suitable collection point that will dispose of the equipment in accordance with the national recycling and waste disposal regulations. This does not apply to any accessories or aids without electrical components supplied with the old equipment.

The reprinting or reproduction by any other means, in whole or in part, of documentation and papers accompanying products is permitted only with the express consent of the ISC GmbH.

Subject to technical changes

SERVICE INFORMATION

Please note that the following parts of this product are subject to normal or natural wear and that the following parts are therefore also required for use as consumables.

Category	Example
Wear parts*	Guide roller, Carbon brushes
Consumables*	Saw blades
Missing parts	

* Not necessarily included in the scope of delivery!

ELECTRICAL SAFETY



WARNING! When using mains-powered tools, basic safety precautions, including the following, should always be followed to reduce risk of fire, electric shock, personal injury and material damage.

Read the whole manual carefully and make sure you know how to switch the tool off in an emergency, before operating the tool.

Save these instructions and other documents supplied with this tool for future reference. Before you connect the equipment to the mains supply make sure that the data on the rating plate are identical to the mains data.



This tool is double insulated therefore no earth wire is required.

GENERAL POWER TOOL SAFETY WARNINGS



WARNING! Read all the safety information, instructions, illustrations and technical data provided on or with this power tool. Failure to adhere to the following instructions may result in electric shock, fire and/or serious injury.

Keep all the safety information and instructions in a safe place for future use. The term „power tool“ used in the safety information and instructions refers to power tools operated from the mains power supply (with a power cable) and to battery operated power tools (without a power cable).

1. **Workplace safety**
 - a) Keep your work area clean and well lit. Untidy or unlit work areas can result in accidents.
 - b) Do not use this power tool in an area where there is a risk of explosion and where there are inflammable liquids, gases or dust. Power tools generate sparks that can ignite dust or vapors.
 - c) Keep children and other people away from the power tool while you are using it. If you are distracted you may lose control of the power tool.

2. **Electrical safety**
 - a) The plug on the power tool must fit into the socket. The socket must not be modified in any way. Do not use adapter plugs together with power tools with a protective earth. Unmodified plugs and matching sockets will reduce the risk of an electric shock.
 - b) Avoid body contact with earthed surfaces such as pipes, heating systems, stoves and refrigerators. There is an increased risk of suffering an electric shock if your body is earthed.
 - c) Keep the power tool out of the rain and away from moisture. The ingress of water into an electric power tool increases the risk of an electric shock.

3. **Do not use the power cable for a purpose for which it is not designed, for example to carry the power tool, hang it up or to pull the plug out of the socket.** Keep the power cable away from heat, oil, sharp edges and moving parts. Power cables that are damaged or tangled increase the risk of an electric shock.

4. **If you use an electric power tool outdoors, use only extension cables that are suitable for outdoor use.** The use of an extension cable which is suitable for outdoor use reduces the risk of an electric shock.

5. **If you cannot avoid using the power tool in a damp location, use a residual current device (RCD) circuit breaker.** The use of a residual current device (RCD) circuit breaker will reduce the risk of suffering an electric shock.

6. **Safety of persons**
 - a) Be careful, watch what you are doing and be sensible and responsible when using an electric power tool. Never use the power tool if you are tired or under the influence of drugs, alcohol or medication. One moment of inattention when using the electric tool can result in serious injuries.
 - b) Wear personal safety equipment and always wear safety goggles. Wearing personal safety equipment such as dust masks, non-slip safety shoes, a helmet or ear plugs, depending on the type and application of the tool, reduces the risk of injury.
 - c) Make sure that the tool cannot start up accidentally. Ensure that the power tool is switched off before you connect it to the power supply and/or connect the battery pack, pick it up or carry it. If you have your

JIGSAW SAFETY WARNINGS



WARNING!

Always check the saw, the power cable and the plug before use. Only ever use the saw if it is in perfect, undamaged condition. Damaged parts have to be repaired or replaced immediately by a qualified electrician.

Always pull the plug out of the power socket before carrying out any work on the saw, before changing the blade and in periods of non-use.

Always run the power cable away from the back of the saw to guard it from damage.

For outdoors work use only suitably approved extension cables with a minimum conductor cross section of 1,5 mm². The plug connectors must have earthing contacts and be splash-proof.

Keep the saw in a safe place and out of the reach of children.

Always wear goggles, safety gloves and ear muffs when sawing. Wear a breathing mask on dusty jobs.

Never leave any keys or adjustment spanners in position on the saw. Before switching on, check that all keys and adjustment spanners have been removed.

Secure the workpiece (with a clamp) so that it cannot slip.

It is prohibited to use the saw on asbestos materials. Please note the accident prevention regulations in force in your country.

If the supply cord is damaged, it must be replaced by an electrician or a power tool repairer in order to avoid a hazard.

Note: Double insulation does not take the place of normal safety precautions when operating this tool. The insulation system is for added protection against injury resulting from a possible electrical insulation failure within the tool.

Using an Extension Lead
Always use an approved extension lead suitable for the power input of this tool. Before use, inspect the extension lead for signs of damage, wear and ageing. Replace an extension lead if damaged or defective.

When using an extension lead on a reel, always unwind the lead completely. Use of an extension lead not suitable for the power input of the tool or which is damaged or defective may result in a risk of fire and electric shock.

finger on the switch while carrying the power tool to the power supply while it is switched on, this may cause accidents.

- d) Remove all adjusting tools or wrenches before you switch on the power tool. Any tool or wrench in a rotating part of the power tool could cause injuries.
- e) Avoid abnormal working postures. Make sure you stand squarely and keep your balance at all times. This will enable you to control the power tool better in unexpected situations.
- f) Wear suitable clothes. Never wear loose fitting clothes or jewelry. Keep hair and clothing away from moving parts. Loose clothing, jewelry or long hair can be caught by moving parts.
- g) If dust extraction devices and dust collection devices can be fitted, they must be connected and used correctly. The use of a dust extractor can reduce the dangers posed by dust.
- h) Do not allow yourself to be lulled into a false sense of security and do not ignore the safety regulations covering electric power tools, even if you are familiar with the power tool after having used it many times. Carelessness can lead to serious injuries in just a fraction of a second.

4. **Using and handling the power tool**
 - a) Do not overload your power tool. Use the correct electric tool for the job in hand. The correct tool will enable you to work better and more safely within the specific performance range.
 - b) Do not use an electric power tool if the switch is defective. An electric power tool that cannot be switched on or off is dangerous and must be repaired.
 - c) Pull the plug out of the socket and/or remove the removable battery pack before making any adjustments to the tool, changing plug-in tool parts or putting the power tool down. These precautions will prevent the power tool starting accidentally.
 - d) Keep unused electric tools out of the reach of children. Do not allow people who are not familiar with the power tool or who have not read these instructions to use the power tool. Electric tools are dangerous if they are used by inexperienced people.
 - e) Look after power tools and plug-in tools with care. Check that moving parts function correctly and do not jam, and whether any parts are broken or damaged such that they adversely affect the function of the power tool. Have damaged parts repaired before you use the power tool. Many accidents are caused by poorly maintained electric tools.
 - f) Keep cutting tools sharp and clean. Carefully maintained cutting tools with sharp cutting edges will jam less and are easier to control.
 - g) Use the power tool, plug-in tools, etc. as set out in these instructions. Take account of the conditions in your work area and the job in hand. Using electric tools for purposes other than the one for which they are designed can result in dangerous situations.
 - h) Keep the handles and grip surfaces dry, clean and free from oil and grease. If the handles and grip surfaces are slippery, it will not be possible to operate and control the power tool safely in unforeseen situations.

5. **Service**
 - a) Have your power tool repaired only by trained personnel using only genuine spare parts. This will ensure that your power tool remains safe to use.

ozito

PENDULUM JIGSAW

810W

ORIGINAL INSTRUCTIONS

SPECIFICATIONS

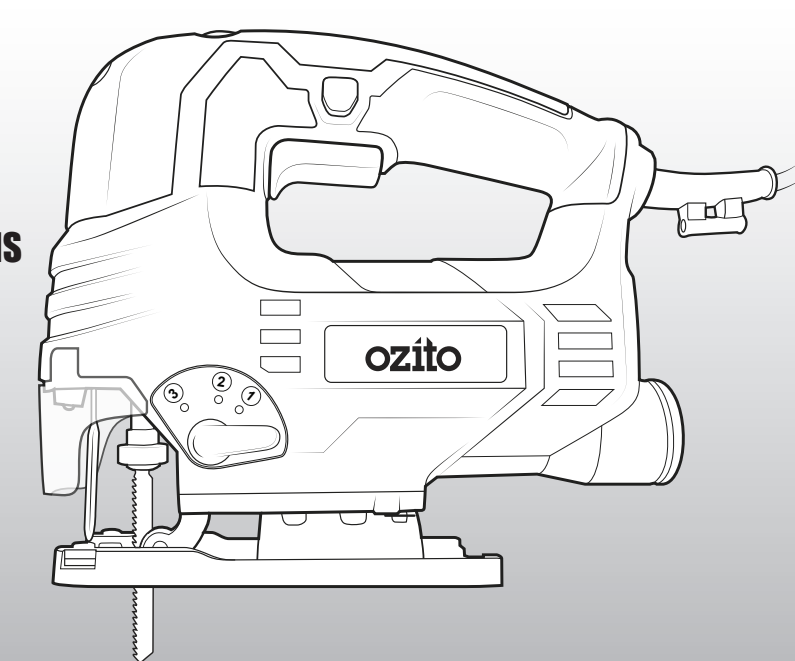
Rated Voltage:	220-240V-50-60Hz
Motor:	810W
No Load Speed:	900-2,900/min
Stroke Height:	22mm
Bevel Cut:	0-45° (Left & Right)
Blade Fitment:	Bayonet
Cutting Capacities:	Timber 80mm Plastic 30mm Mild Steel 8mm II

Protection Class II
Weight: 2.31kg

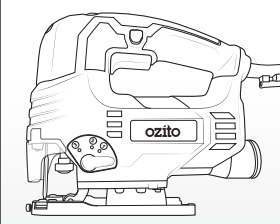
ozito-diy.co.uk



3 YEAR REPLACEMENT WARRANTY



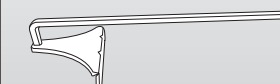
WHAT'S IN THE BOX



Jigsaw



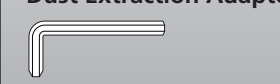
3 x Cutting Blades



Parallel Guide



Dust Extraction Adaptor



Hex Key

JSW-8100U

WARRANTY

All of our products undergo strict quality checks to ensure that they reach you in perfect condition. In the unlikely event that your device develops a fault, please contact our service department at the address shown on this guarantee card. You can also contact us by telephone using the customer service number shown. Please note the following terms under which guarantee claims can be made:

1. These warranty terms regulate additional warranty services, which the manufacturer mentioned below promises to buyers of its new products in addition to their statutory guarantee claims are not affected by this guarantee. Our guarantee is free of charge to you.

2. The warranty services only covers defects due to material or manufacturing faults on a product which you have bought from the manufacturer mentioned below are limited to either the rectification of said defects on the product or the replacement of the product, whichever we prefer. Please note that our devices are not designed for use in commercial, trade or professional applications. A guarantee contract will not be created if the device has been used by commercial, trade or industrial business or has been exposed to similar stresses during the guarantee period.

3. The following are not covered by our guarantee:
 - Damage to the device caused by a failure to follow the assembly instructions or due to incorrect installation, a failure to follow the operating instructions (for example connecting it to an incorrect mains voltage or current type) or a failure to follow the maintenance and safety instructions or by exposing the device to abnormal environmental conditions or by lack of care and maintenance.
 - Damage to the device caused by abuse or incorrect use (for example overloading the device or the use of unapproved tools or accessories), ingress of foreign bodies into the device (such as sand, stones or dust, transport damage), the use of force or damage caused by external forces (for example by dropping it).
 - Damage to the device or parts of the device caused by normal or natural wear or tear or by normal use of the device.

4. Your Product is guaranteed for a period of 36 months from the original date of purchase and is intended for DIY (Do It Yourself) use only. Warranty excludes consumable parts. Guarantee claims should be submitted before the end of the guarantee period within two weeks of the defect being noticed. No guarantee claims will be accepted after the end of the guarantee period. The original guarantee period remains applicable to the device even if repairs are carried out or parts are replaced. In such cases, the work performed or parts fitted will not result in an extension of the guarantee period, and no new guarantee will become active for the work performed or parts fitted. This also applies if an on-site service is used.

IN ORDER TO MAKE A CLAIM UNDER THIS WARRANTY YOU MUST RETURN THE PRODUCT TO THE PLACE OF PURCHASE WITH YOUR REGISTER RECEIPT.

Please refer to the restrictions of this warranty concerning wearing parts, consumables and missing parts as set out in the service information in these operating instructions.

CUSTOMER SERVICE HELPLINE

GB: 0151 294 4488

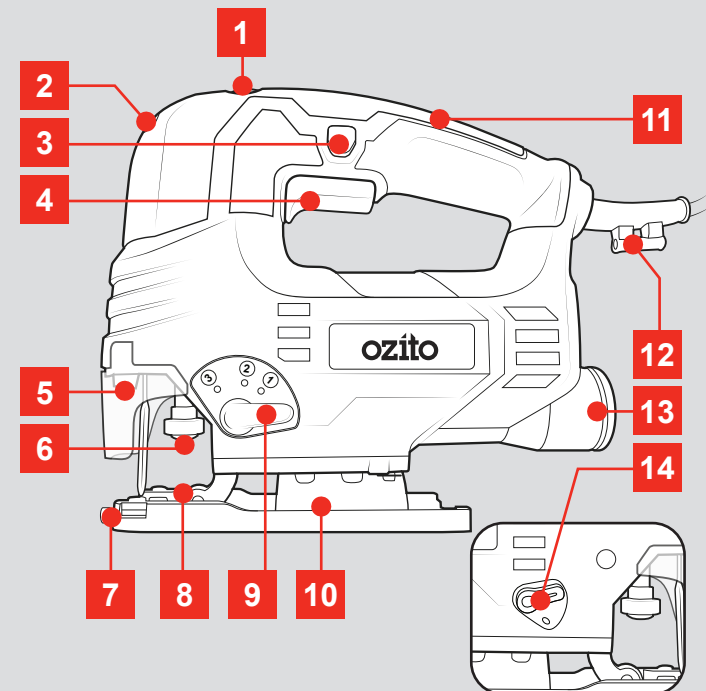
IRL: 1850 882711

Ozito-diy.co.uk

KNOW YOUR PRODUCT

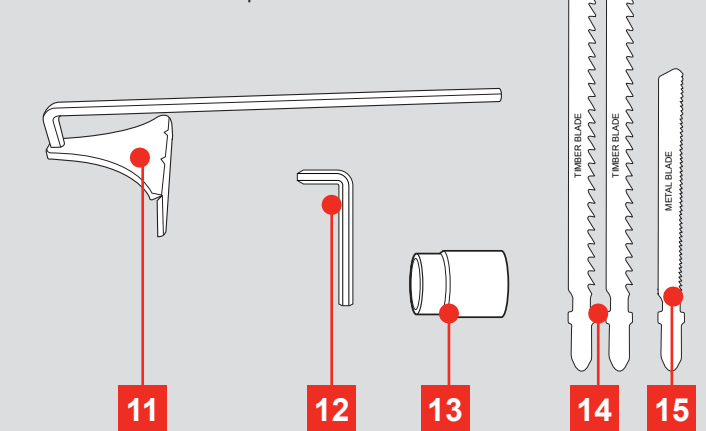
PENDULUM JIGSAW

- 1 Variable Speed Dial
- 2 Worklight Switch
- 3 Lock On Button
- 4 On/Off Trigger
- 5 Worklight
- 6 Blade Lock
- 7 Guide Locking Screws
- 8 Guide Roller
- 9 Pendulum Action Selector
- 10 Adjustable Shoe
- 11 Soft Grip Handle
- 12 Hex Key Holder
- 13 Dust Extraction Port
- 14 Blower Switch



ACCESSORIES

- 11 Parallel Guide
- 12 Hex Key
- 13 Dust Extraction Adaptor
- 14 Timber Blade x 2
- 15 Metal Blade x 1



ONLINE MANUAL

Scan this QR Code with your mobile device to take you to the online manual.



SETUP & PREPARATION

1. BEFORE USE

Items Supplied

Please check that the article is complete as specified in the scope of delivery. If parts are missing, please contact our service center or the sales outlet where you made your purchase at the latest within 5 working days after purchasing the product and upon presentation of a valid bill of purchase. Also, refer to the warranty table in the service information at the end of the operating instructions.

- Open the packaging and take out the equipment with care.
- Remove the packaging material and any packaging and/or transportation braces (if available).
- Check to see if all items are supplied.
- Inspect the equipment and accessories for transport damage.
- If possible, please keep the packaging until the end of the guarantee period.

Danger!

The equipment and packaging material are not toys. Do not let children play with plastic bags, foils or small parts. There is a danger of swallowing or suffocating!

Proper Use

The jigsaw is designed for sawing wood, metals, non-ferrous metals and plastics using the appropriate saw blade.

The equipment is to be used only for its prescribed purpose. Any other use is deemed to be a case of misuse. The user / operator and not the manufacturer will be liable for any damage or injuries of any kind caused as a result of this.

Please note that our equipment has not been designed for use in commercial, trade or industrial applications. Our warranty will be voided if the machine is used in commercial, trade or industrial businesses or for equivalent purposes.

Caution! Residual risks

Even if you use this electric power tool in accordance with instructions, certain residual risks cannot be ruled out. The following hazards may arise in connection with the equipment's construction and layout:

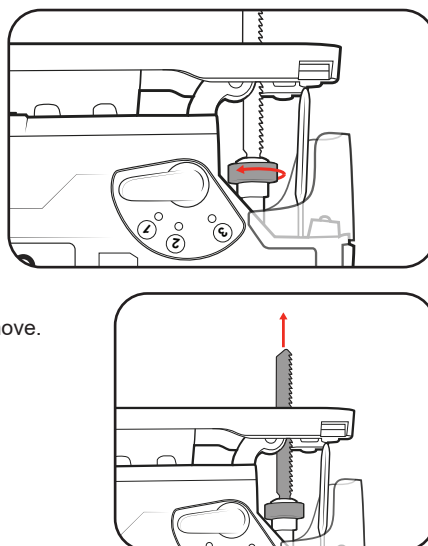
1. Lung damage if no suitable protective dust mask is used.
2. Damage to hearing if no suitable ear protection is used.
3. Health damage caused by hand-arm vibrations if the equipment is used over a prolonged period or is not properly guided and maintained.

2. CHANGING THE BLADE

WARNING! ENSURE THE SAW IS SWITCHED OFF AND DISCONNECTED FROM THE POWER SUPPLY BEFORE PERFORMING ANY OF THE FOLLOWING ASSEMBLY.

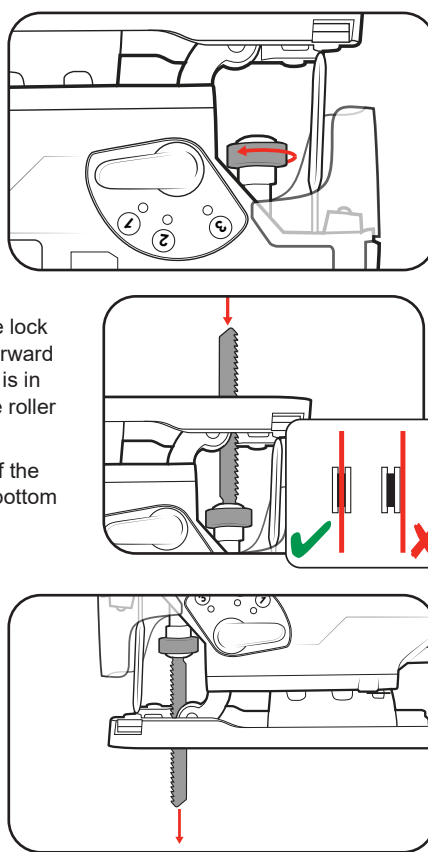
Removing the Blade

- 1 Flip the saw upside down and rotate the blade lock.
- 2 Raise the blade to remove.



Inserting the Blade

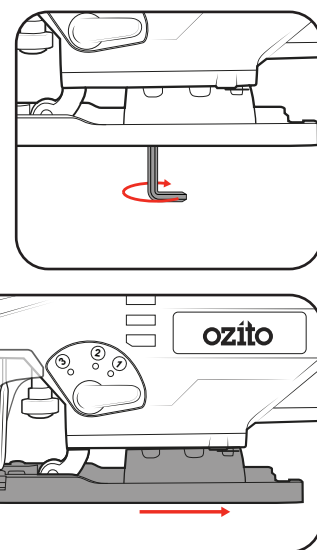
- 1 Flip the saw upside down and rotate the blade lock.
- 2 Slide the blade into the lock with the teeth facing forward making sure the blade is in the middle of the guide roller groove. Ensure the shoulder of the blade sits right at the bottom of the blade holder.
- 3 Release the blade lock and pull on the blade to ensure it is secured.



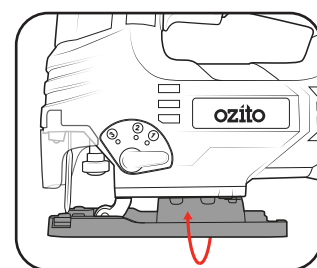
3. ADJUSTING SHOE ANGLE

The angle of the shoe can be adjusted to allow for bevel cuts between 0 and 45°.

- 1 Loosen the 2 screws at the bottom of the jigsaw using the hex key.
- 2 Slide the shoe backwards to allow the shoe to rotate.

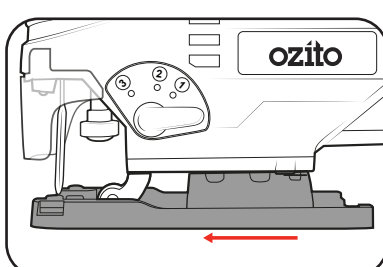


- 3 Tilt the shoe to the desired angle using the measurements.

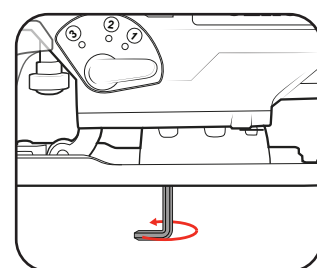


Note: If the shoe doesn't rotate, you may need to loosen the 2 screws further.

- 4 Once the angle is correct, slide the shoe forward for the pin to make contact.



- 5 Secure in place tightening the 2 screws at the bottom of the jigsaw.

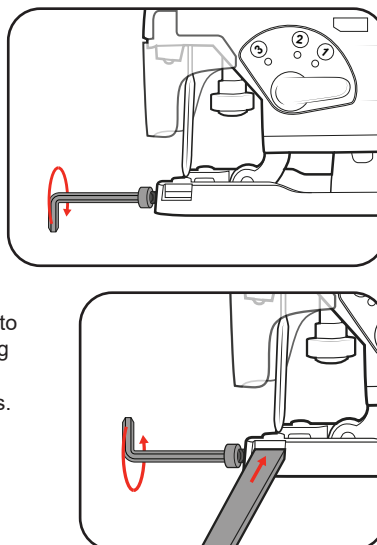


4. ATTACHING THE ACCESSORIES

Attaching the Parallel Guide

The parallel guide assists in cutting in a line parallel to an edge.

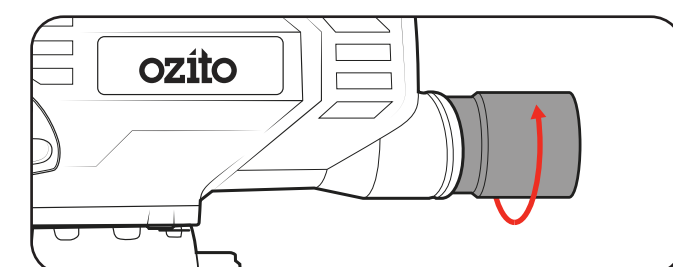
- 1 Unscrew the 2 guide locking screws at the front of the jigsaw.
- 2 Slide the parallel guide into the slots under the locking screws. Once positioned, tighten the locking screws.



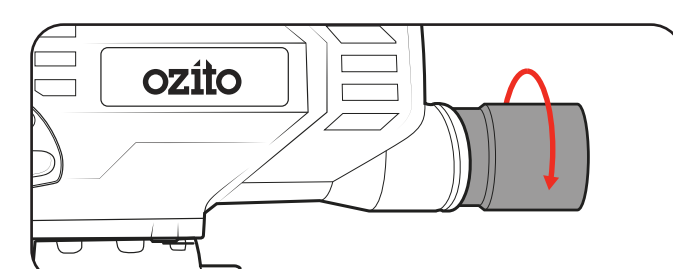
Dust Extraction Adaptor

A dust extractor can be fitted to the jigsaw dust extractor adaptor to remove dust and chips while cutting. The adaptor can also be removed if it gets in the way.

- 1 Align the tabs on the adaptor with the recess in the extraction port, then rotate clockwise to secure in position.



- 2 To remove, rotate anti-clockwise and pull away from the tool.



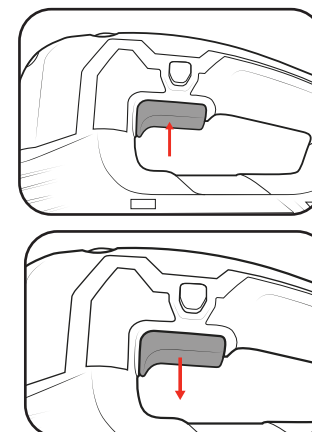
OPERATION

5. CONTROLS

CAUTION! TO REDUCE THE RISK OF ELECTRICAL SHOCK, THE USE OF A RESIDUAL CURRENT DEVICE (RATED 30mA OR LESS) IS RECOMMENDED.

On/Off Trigger

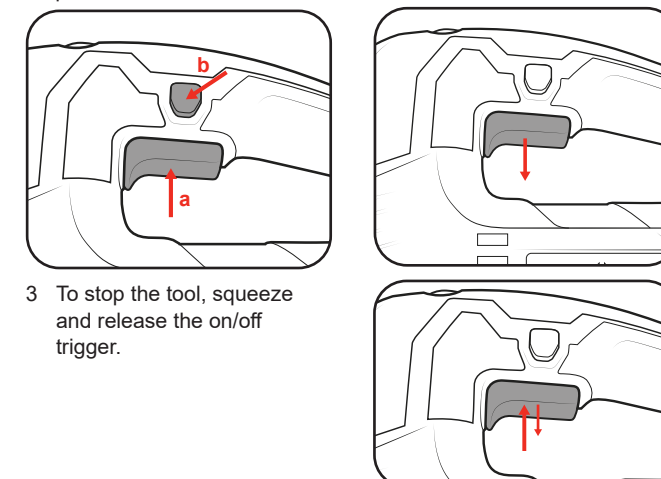
- 1 To start cutting, squeeze the on/off trigger.
- 2 To stop cutting, release the on/off trigger.



Lock-On Button

The lock-on switch allows the jigsaw to continue operating without having to hold the on/off switch down.

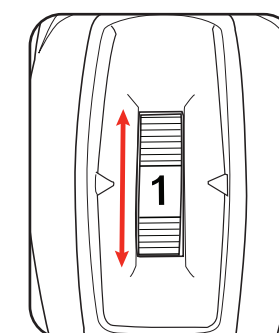
- 1 Hold in the on/off trigger, then press the lock on button.
- 2 You can now release the on/off trigger & lock on button.



Adjusting the Cutting Speed

The cutting speed should be adjusted to match the material of the workpiece. In general, use faster speeds for softer materials.

- 1 For faster speeds, rotate the variable speed dial to a higher number.



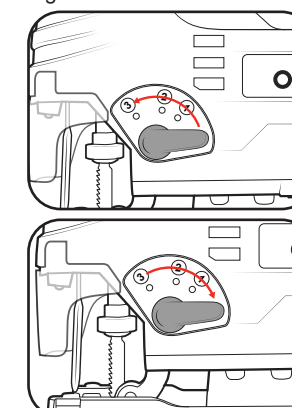
- For slower speeds, rotate the dial to a lower number.

6. CONTROLS CONTINUED

Adjusting the Cutting Action

The jigsaw has a pendulum action feature which enables the blade to cut faster and more efficiently in thick and softer materials. See below for a guide on choosing the correct setting.

- 1 To use the pendulum action, rotate the pendulum action selector anti-clockwise to a higher setting.
- 2 To use standard cutting action, rotate the pendulum action selector clockwise to a lower setting.

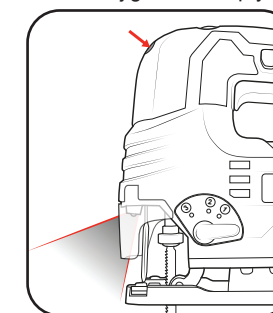


0 - exact	No pendulum action for fine clean cuts on thin or hard materials
1 - /	Small pendulum action for faster cutting on hard materials
2 - //	Medium pendulum action for faster cutting on softer materials
3 - ///	Large pendulum action for fast cutting along the grain on soft materials.

Turning on the Worklight

The worklight will illuminate the path in front of the jigsaw to help you see the cutting path.

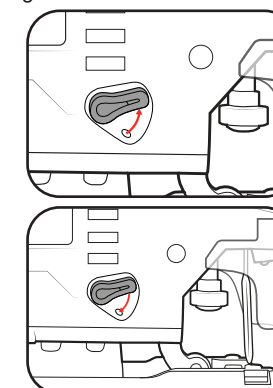
- 1 To turn the worklight on, press the worklight switch in.
- 2 To turn the worklight off, press the worklight switch again.



Blower Function

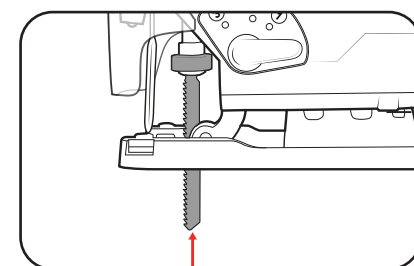
The jigsaw features a blower function that allows air from the internal fan to flow out of a vent, pushing away dust from the cutting path making it easier for you to follow a cutting line.

- 1 Rotate the blower switch anti-clockwise to enable the blower function.
- 2 Rotate the blower switch clockwise to disable the blower function.

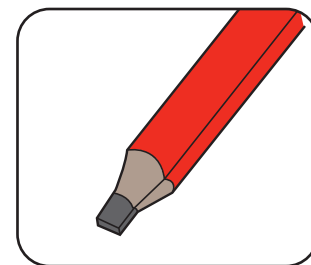


7. CUTTING

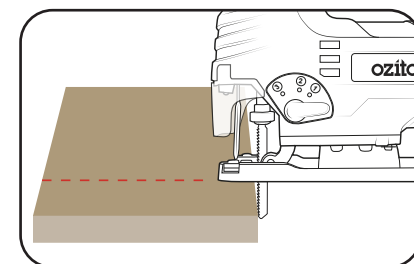
- 1 Ensure the correct blade is inserted into the blade lock and is secure.



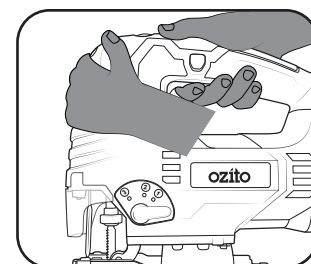
- 2 Mark your cutting line with a pencil or attach the parallel guide.



- 3 Place the base onto the workpiece with the blade away from the edge.

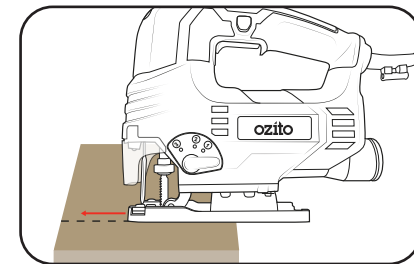


- 4 Hold the jigsaw firmly ensuring that your hands cannot slip down onto the blade and start the jigsaw by depressing the on/off switch.



CAUTION! ENSURE HANDS AND FINGERS ARE KEPT WELL AWAY FROM THE BLADE AND THE CUTTING PATH AT ALL TIMES TO AVOID INJURIES.

- 5 Move jigsaw forward with light pressure. Allow the blade to stop before lifting the jigsaw away.



3 YEAR REPLACEMENT WARRANTY