

Ⓞ **Operating Instructions for the  
Indoor and Outdoor Device**

**Einhell**®

**Split-system Air Conditioner**



**Important note:**

This high-quality product will only offer optimum service if installed correctly and in the right place, and is put into operation for the first time by a suitably competent person. Avoid malfunctions by seeking competent advice from an expert with regards to the location, installation and starting up of the system.

We shall accept no liability for malfunctions or inadequate cooling performance resulting from the improper handling of the product.

Only a suitably qualified firm is permitted to undertake any work of making the electrical and cooling system connections and putting the system into operation for the first time.

If the system is to be moved to another location or disposed of, only a suitably qualified electrician's/cooling system firm is permitted to undertake any work of disassembly or disposal.

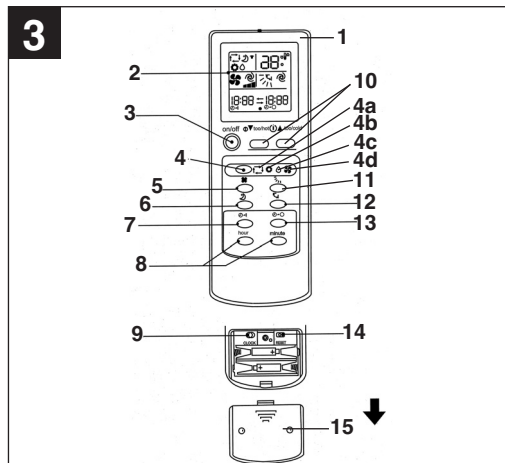
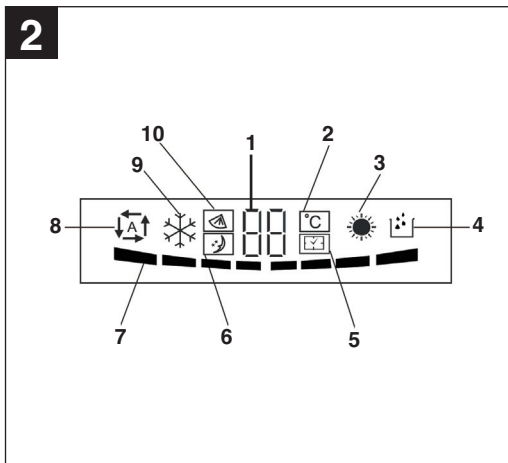
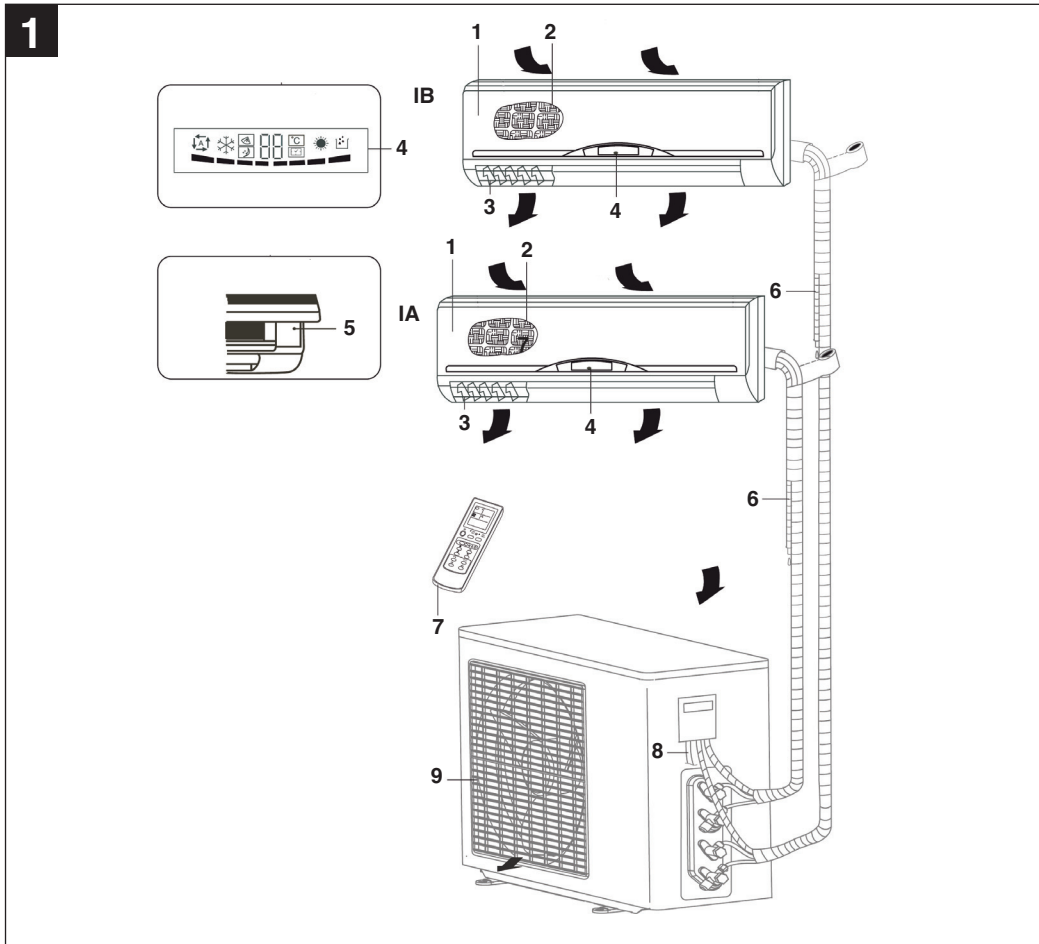
7

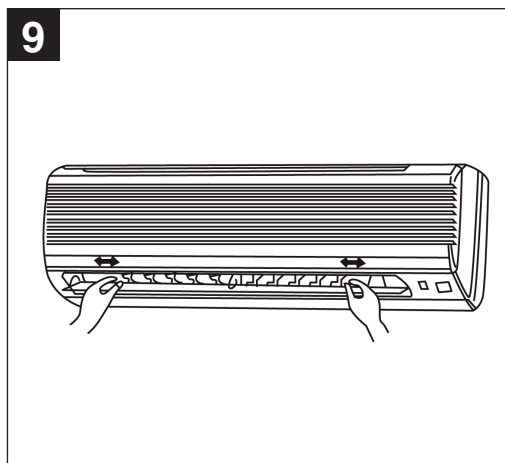
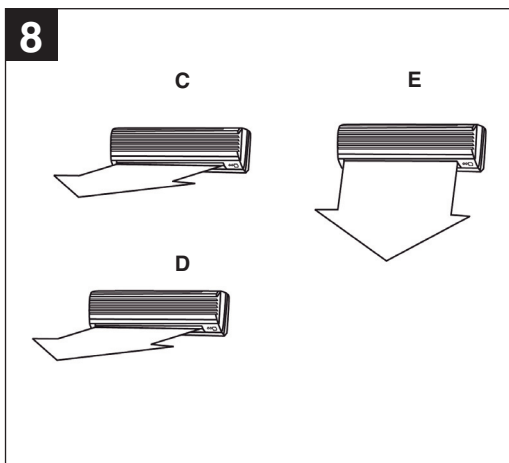
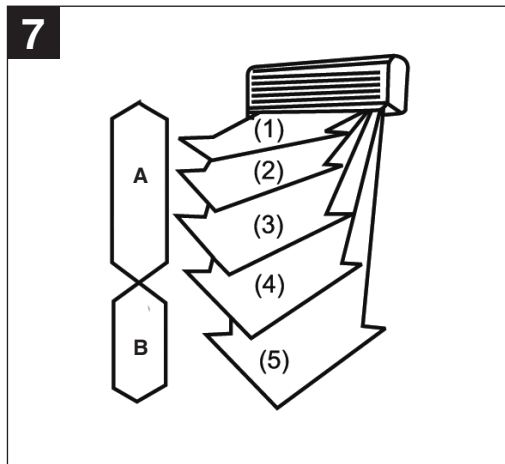
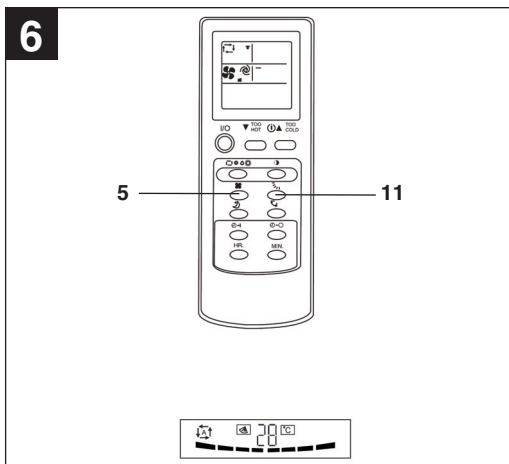
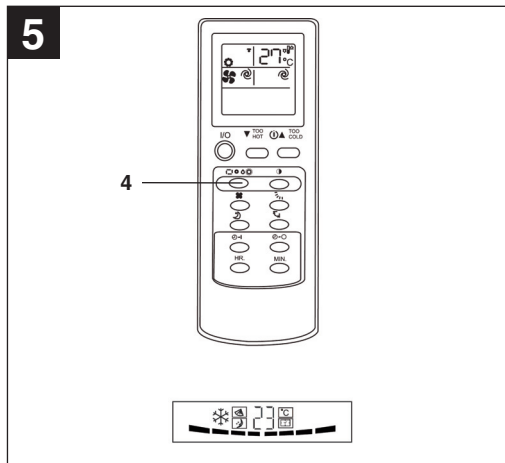
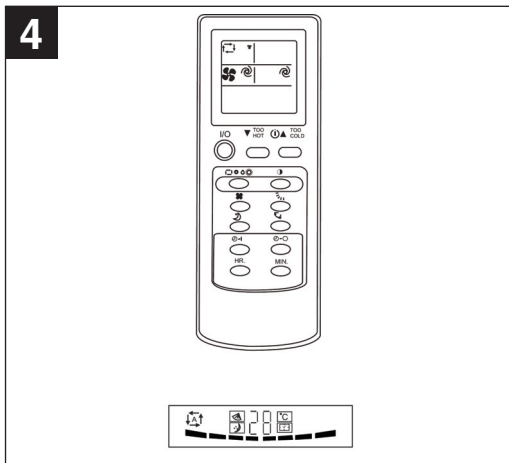


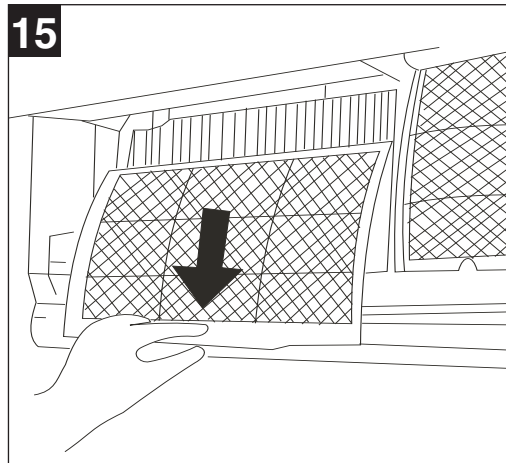
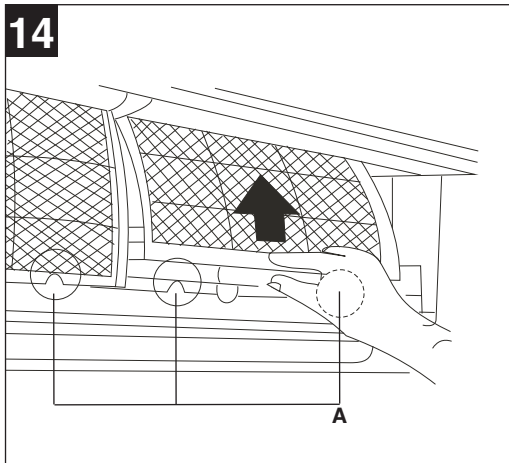
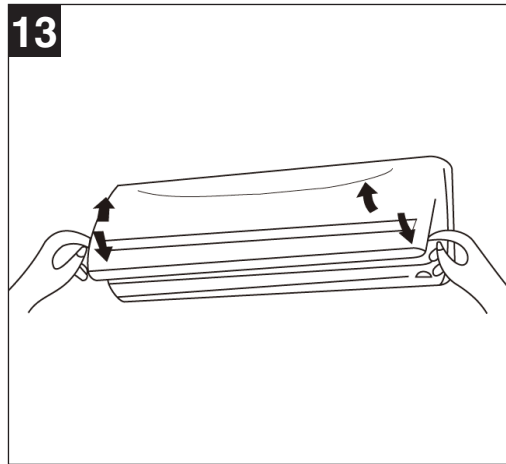
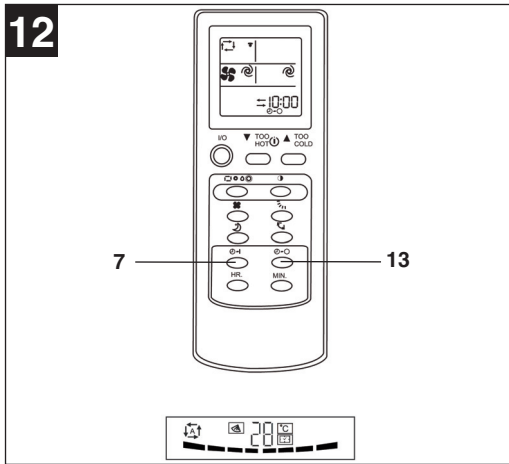
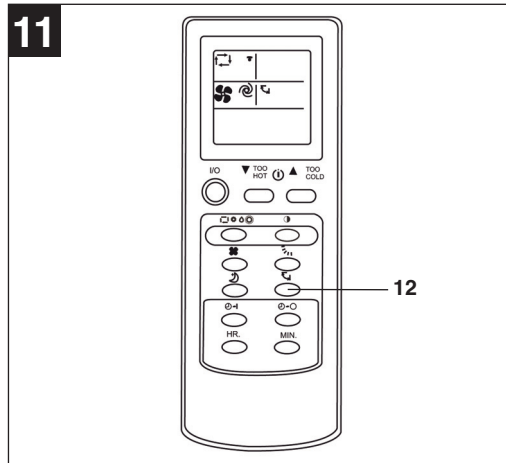
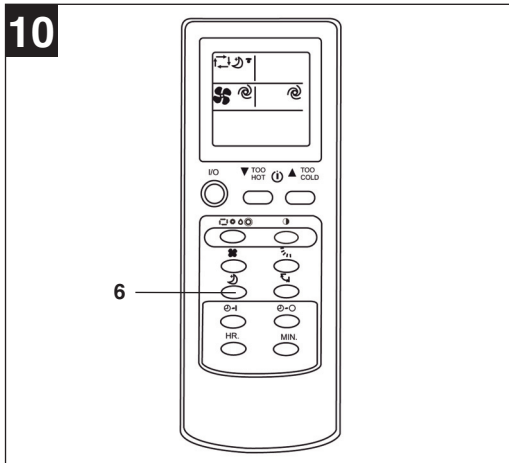
Art.-Nr.: 23.653.86

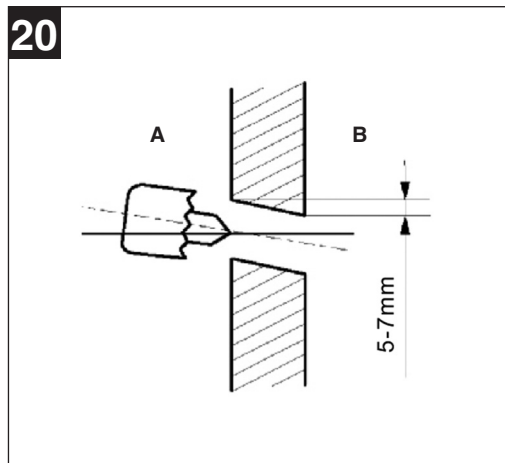
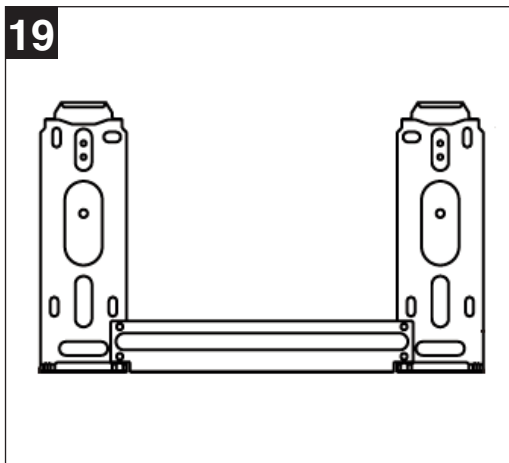
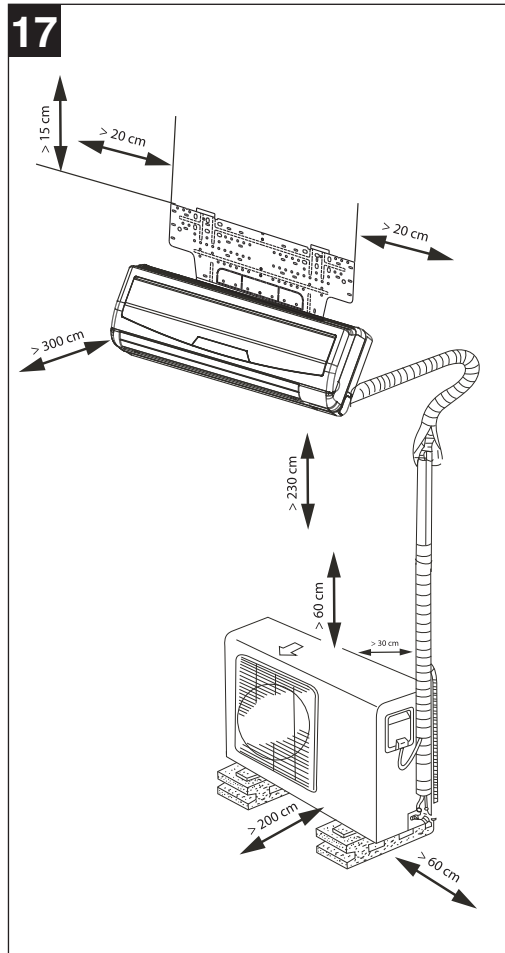
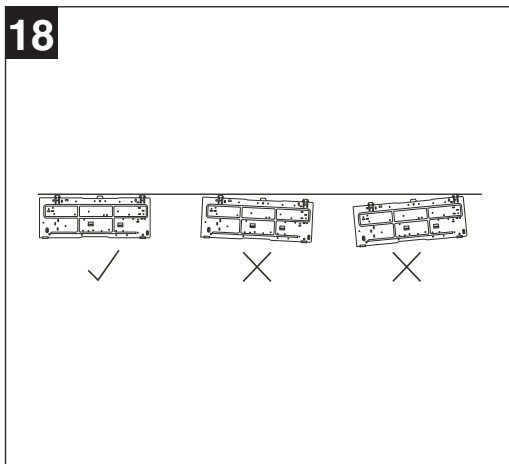
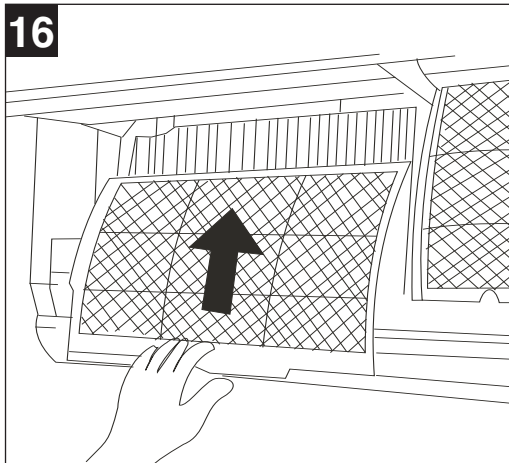
I.-Nr.: 01017

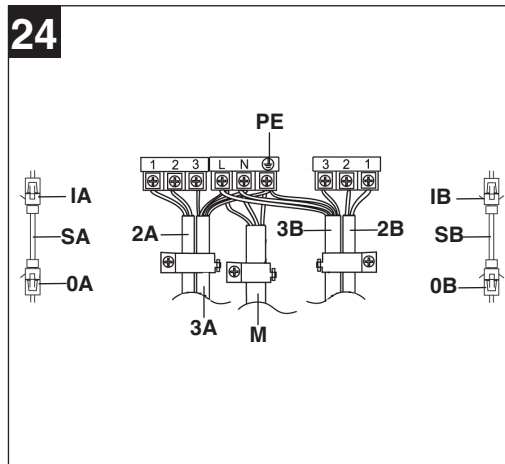
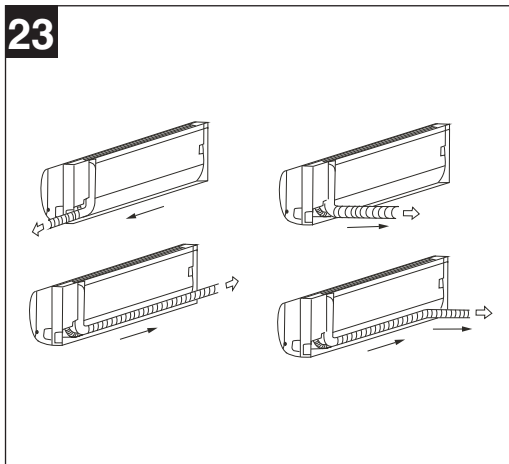
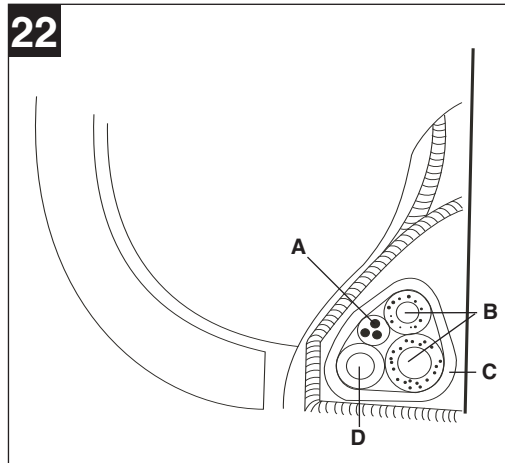
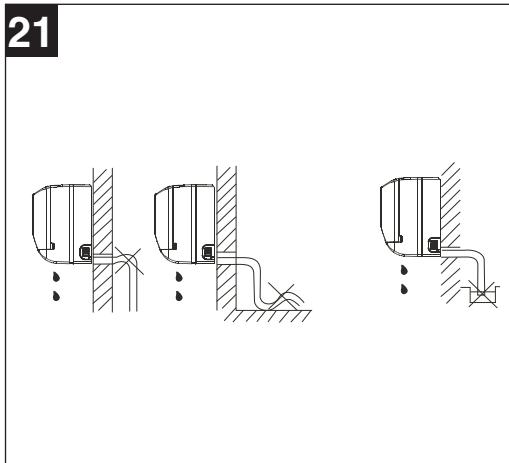
**DUAL SPLIT  
2500 C+H**











## **Table of contents**

### **For the user and expert**

1. Safety regulations
2. Items supplied
3. Technical data
4. Intended use
5. Description of parts
6. Display - Indoor device
7. Setting up the remote control
8. Remote control
9. Functions
10. Cleaning notes
11. General notes
12. Troubleshooting

### **For the expert only**

13. Installation accessories
14. Installation instructions
15. Evacuation
16. Initial startup
17. Ordering replacement parts

**GB****⚠ Important!**

When using the equipment, a few safety precautions must be observed to avoid injuries and damage. Please read the complete operating instructions and safety regulations with due care. Keep this manual in a safe place, so that the information is available at all times. If you give the equipment to any other person, hand over these operating instructions and safety regulations as well. We cannot accept any liability for damage or accidents which arise due to a failure to follow these instructions and the safety instructions.

**1. Safety instructions**

- Read the safety instructions before you start to use the device.
- These points set out extremely important precautionary measures that you must comply with.
- Keep the Operating Instructions in a safe place once you have read them.
- Check that the drainage line is correctly connected. If not, water will escape.
- **Warning!**  
Do not extend the cable and never use multiple plugs. A poor electrical connection, poor insulation or voltage which is higher than permitted can cause fire.
- **Remove all dirt from the power plug and plug it in firmly. Soiled plugs can cause fire or an electric shock.**
- **Warning!**
- Never pull out the plug while the device is in use.
- Never permit cool air to be blown directly at you for any lengthy period of time.
- In the event of any abnormalities (e.g. smell of burning), immediately switch off the device and pull the plug. Contact your service partner.
- Never poke fingers or sticks in the air inlet and outlet vents.
- Never attempt to repair the air conditioner yourself. Always contact your service partner if it requires repair.
- Never pull the plug out by pulling on the cable. Hold the plug firmly and pull it out of the plug socket, otherwise there is a risk of damaging the cable.
- Always switch off the device and pull the plug before you start to clean it.
- Never actuate any switches with wet hands.
- Never clean the air conditioner with water.
- Never place any plants or animals under a location to which cool air flows as this could have an undesirable affect on them.
- Never use combustible cleaning agents as these could cause a fire or deformation.
- If the air conditioner is to be used in conjunction with other heaters, the air should be refreshed periodically, otherwise there is a risk of lack of oxygen.
- Never use the device for any other purpose than the intended use. Never place food, precision instruments, plants, animals, paint, etc. on the device.
- Never hold any burning objects close to the device if they could be directly affected by the emitted air.
- Always pull out the power plug if the device is not going to be used for any lengthy period of time. Collections of dust can cause fire.
- Never step onto the outdoor device and never place anything on it.
- Never use an unsteady or rusty base.
- Never allow the device to run for too long with the doors or windows open, or if the humidity is very high. If the air conditioner runs for a long time in cooling mode and the humidity is high (over 80%), condensed water may drip out of the device.
- Never stand on an unsteady base when you remove the device from the holder on the wall.
- Check that the condensation water can run off unhindered. Water damage can result if the condensation water cannot run off properly.
- Never touch any metal parts on the indoor device when removing the air filter. You may injure yourself.
- Never install the device in a room in which combustible gases can be emitted. Emitted gases may collect and cause an explosion.
- Always switch off the device and pull out the power plug during a storm. Electrical parts may get damaged.
- **Earthing connection!**  
The power cable (plug) comes with an earthing wire. Do not, therefore, change the plug.
- For electrical safety purposes we recommend that you install an earth-leakage circuit-breaker.
- Have all electrical installation work performed by a qualified electrician.
- Ask a service partner or specialist cooling system firm to undertake all work of cooling system-related installation.
- Incorrect installation may cause injury or damage to the device.
- Check the mains lead at regular intervals for signs of defects or damage. A damaged mains lead may only be replaced by an electrician or ISC GmbH in compliance with the relevant regulations.



- The equipment is not designed for installation in laundries.
- The equipment must be positioned in such a way that the mains plug is accessible at all times.
- The temperature in the cooling circuit may become very hot. For this reason keep all cables away from the copper lines.

1 outdoor device (box 3, art. no. 23.654.28)  
1 set of installation accessories (for details, see page 15)

### 3. Technical data

#### **⚠ CAUTION!**

#### **Read all safety regulations and instructions.**

Any errors made in following the safety regulations and instructions may result in an electric shock, fire and/or serious injury.

**Keep all safety regulations and instructions in a safe place for future use.**

#### **Packaging:**

The unit is supplied in packaging to prevent it from being damaged in transit. The raw materials in this packaging can be reused or recycled.

#### **Tips on saving energy**

Only use the air conditioner when you really need to. Do not select too high a temperature for heating or too low a temperature for cooling. Select the "Sleep" function during the night.

Close all windows, doors and Venetian blinds in order to reduce incoming sunlight as far as possible.

#### **Principle of operation for cooling**

Heat is extracted from the air in the room by the air heat-exchanger (evaporator) in which the coolant circulates. This air is conveyed to the outside air heat-exchanger (condenser).

This gives off heat to the outdoor air. Electrical energy is required for this. In certain circumstances condensation may form on the evaporator on the indoor unit, which will be removed by the condensation hose.

#### **Principle of operation for heating**

In heating mode, heat is removed from the outdoor air by the outdoor device and fed into the indoor device. This passes the heat on to the room which it is to heat. Electrical energy is required for this. In certain circumstances condensation may be produced on the outdoor device, which must be discharged via the condensation drain on the underside of the outdoor device.

Cooling capacity	2 x 2500 watts
Heating capacity	2 x 2900 watts
Energy efficiency	C (EER 2.81/COP 3.02)
Air capacity	2 x 420 m <sup>3</sup> /h
Absorbed humidity (30°C/80% RH)	2 x 1.0 l/h
Timer	24 h
Operating voltage	230 V ~ 50 Hz
Socket fusing	16 A
Nominal power consumption, cooling	2 x 890 watts
Nominal current consumption, cooling	2 x 4.0 A
Nominal power consumption, heating	2 x 950 watts
Nominal current consumption, heating	2 x 3.9 A
Compressor	Rotary piston
Compressor starting current	28 A
Outdoor temperature cooling max.	+43°C
Outdoor temperature heating	+7 - + 24°C
Fluid line Ø A	6.35 mm
Suction pipe Ø A	9.53 mm
Length of refrigerant line supplied	5 m
Length of refrigerant line, max.	10 m
Max. difference in height between indoor/outdoor device	5 m
Refrigerant	R 410 A
Refrigerant filling capacity	2 x 800 g
Refrigerant refill quantity from 5 m	15 g/m
Sound pressure level	
Inside	≤ 38 dB (A)
Outside	≤ 56 dB (A)
Dimensions	
Inside	79 x 27,5 x 20 cm
Outside	85 x 29 x 61 cm
Weight	
Inside	8 kg
Outside	52 kg

#### **Note:**

The specified capacities and performances are based on the following conditions (EN 14511):

## 2. Items supplied

1 indoor device I1 (box 1, art. no. 23.654.26)  
1 indoor device I2 (box 2, art. no. 23.654.27)

**GB****Cooling:**

Air temperature at the inlet on the indoor device: 27°C for dry thermometer bulb (DB), 19°C for wet thermometer bulb (WB). Outdoor air temperature: 35°C for dry thermometer bulb (DB), 24°C for wet thermometer bulb (WB).

**Heating:**

Air temperature at the inlet on the indoor device: 20°C for dry thermometer bulb (DB), 15°C for wet thermometer bulb (WB). Outdoor air temperature: 7°C for dry thermometer bulb (DB), 6°C for wet thermometer bulb (WB).

**Temperature ranges:****Cooling**

Room temperature	16°C ~ 31°C
Outdoor temperature	> +18°C

**Heating**

Room temperature	16°C ~ 31°C
Outdoor temperature	> +7°C

**Notes:**

1. For health reasons the room temperature should be no more than 5 – 6°C below the outdoor temperature in cooling mode.
2. The perfect performance of the system is achieved within the temperature ranges shown in the table.
3. If the air conditioning system is operated below the temperature range shown above, protection functions may be activated in certain circumstances which will cause the device to operate abnormally.
4. If the air conditioner is operated in a relative humidity level of over 80%, condensation may be deposited on the top of the system which will then drip on to the floor. In this case set the horizontal air flap to its maximum angle (perpendicular to the floor) and set the FAN to "HIGH".

**4. Intended use**

The air conditioner is only designed for cooling, heating or dehumidifying private homes or bedrooms.

The machine is to be used only for its prescribed purpose. Any other use is deemed to be a case of misuse. The user / operator and not the manufacturer will be liable for any damage or injuries of any kind caused as a result of this.

10

Please note that our equipment has not been designed for use in commercial, trade or industrial applications. Our warranty will be voided if the machine is used in commercial, trade or industrial businesses or for equivalent purposes.

**5. Description of parts (Fig. 1)**

IA = Indoor device A

IB = Indoor device B

- 1 Front panel
- 2 Air filter
- 3 Vertical air slit
- 4 Display panel
- 5 Emergency switch
- 6 Condensation hose
- 7 Remote control
- 8 Mains cable
- 9 Air outlet

**Important.** Both indoor devices must be correctly connected to the outdoor device. There is a risk of damage to the device if installed incorrectly. Damage caused by incorrect installation is not covered by the warranty.

**6. Indoor device display (Fig. 2)**

- 1 LED 7-segment display
- 2 Temperature display symbol
- 3 Heating mode symbol
- 4 Dehumidifying mode symbol
- 5 Timer mode symbol
- 6 Sleep symbol (economy mode)
- 7 Speed display for indoor fan
- 8 Automatic mode symbol
- 9 Cooling mode symbol
- 10 Air flow up/down symbol

**7. Setting up the remote control****Insert batteries**

1. Open the battery compartment cover.
2. Insert two new batteries. Be sure to observe the correct polarity (+/-) of the batteries.
3. Close the battery compartment cover.

**Notes**

- The radio signal has a range of approx. 8 m.
- Use two alkali batteries, type R03 AAA (1.5 V).
- Always replace both batteries at once when you can no longer see the LCD display.

- Never use a combination of new and used batteries.
- Never use a battery type other than the specified one.
- If the remote control is not used for a lengthy period of time, remove the batteries to prevent them leaking.
- The service life of the batteries if the remote control is used normally is approximately 12 months.
- Dispose of spent batteries properly.

#### Notes

Keep the remote control approximately 1 m from television sets or other electrical appliances. Direct sunlight may considerably reduce the range of the remote control.

Objects between the remote control and the IR receiver which can impede reception of the signal must be avoided. Handle the remote control with care. Do not drop it, keep it away from heat and moisture so as not to damage the remote control.

## 8. Remote control (Fig. 3)

- 1 Signal output window
- 2 Function display
- 3 On/Off switch
- 4 Function switch (mode switch)
- 4a Automatic function
- 4b Cool
- 4c Dehumidify (Dry)
- 4d Heat
- 5 Switch for air circulation velocity
- 6 Sleep selection key
- 7 Timer-on key
- 8 Hours selection switch, minute setting, time setting
- 9 Clock setting
- 10 Temperature adjustment key
- 11 Key for setting the air flow angle
- 12 Full blast key
- 13 Timer-off key
- 14 Reset key
- 15 Battery cover opener

## 9. Functions

### A) AUTO (Automatic) mode (Fig. 4)

#### 1. To start

**Press the ON/OFF key.**

If the automatic function is indicated, the air conditioner switches to a comfortable room

temperature.

### 2. To stop the function

**Press the ON/OFF key.**

#### NOTE

In AUTO mode the air conditioner will automatically select on the COOL, FAN and HEAT modes by detecting the temperature difference between the actual room temperature and set temperature.

#### Room temperature at the start

Room temperature at the start	Function	Set-point temperature
Over +25°C	Cool	approx. 24°C
+21-25°C	Dehumidify	-----
Below 21°C	Heat	approx. 24°C

Note:

The heat function can be used for outdoor temperatures down to +7°C. Heating is not possible if the outdoor temperature is any lower.

### B) Cooling, heating and dehumidifying (Fig. 5)

To select cool, dehumidify or heat:

1. Press the ON/OFF key.
2. Press button 4 to select the appropriate function. Every time you press the key the function changes in the following sequence: Automatic - Cool - Dehumidify - Heat
3. If you wish to switch off the device, press the ON/OFF button. Once the device has been set for the first time, all you have to do to return to the previous function is press the ON key.

Notes:

The heat function can be used for outdoor temperatures down to approx. +7°C. The maximum room temperature to be reached depends on the outdoor temperature and the nature of the particular building. If during operation the room temperature is more than 2°C above (cool) or less than 2°C below (heat) the set-point temperature, the set-point temperature on the air conditioner cannot be changed.

As soon as the temperature difference between the room temperature and the predefined set-point temperature is less than 2°C again, it will be possible to change the set-point temperature on the air conditioner again. The lower the outdoor temperature, the lower the room temperature that can be achieved with the heater function.

### Changing the temperature

Press the "too hot" key to reduce the temperature. Each press of the key reduces the set temperature

**GB**

by 1°C.

Press the “too cool” key to increase the temperature. Each press of the key increases the temperature by 1°C.

The system can become overloaded if the air conditioner draws too much heat from the air. The fan on the outdoor device stops automatically, thanks to the microprocessor controller, to protect the air conditioner.

If the fan on the outdoor device stops, the outdoor device will indicate frost. This is not a fault or malfunction.

**Note about dehumidifying mode**

If the temperature is set to the automatic function, this function cannot be changed.

**C) Adjusting the air velocity and air flow (Fig. 6)**

- a) Press the button 5 to adjust the air velocity. Each press of the key changes the air velocity as follows: low, medium, high, automatic
  - b) Select a high setting if you wish to cool the entire room. Select the sleep function (Sleep) when you want to sleep and wish to reduce the noise level while sleeping.
  - c) Press button 5 to adjust the direction of the air up/down. Each press of the key changes the direction. Recommended range for the air flow up/down (A=Cool; B=Heat) (Fig. 7).
- Notes:**
- Adjust the up/down direction using the remote control. Never attempt to adjust the height by hand.
  - If the blown-out air temperature is too cold in heat mode, the air will be blown out virtually horizontally. Adjust to the desired flow direction and velocity.
- d) Automatic air flow (Fig. 8)  
Press button 11 to change the air flow to automatic and the optimum slat position will be selected for efficient effect.  
C = In cool and dehumidify mode the air flows out horizontally.  
D = If the air temperature is cool, the air flows out horizontally.  
E = If the air is warm, the air flows out in a downward direction.
  - e) Mechanical adjustment of the vertical air flow direction (Fig. 9)

**D) Pleasant sleep mode function/economy function (Fig 10)**

1. Press button 6. To cancel this function, press button 6 again.
2. The air conditioning system will automatically increase (cool mode) or lower (heat mode) the set temperature by 1°C after one hour.
3. After a further hour this process will be repeated automatically.
4. This mode allows you to save energy whilst maintaining a pleasant temperature.

**E) Full blowing effect (Fig. 11)**

1. Press button 12. To cancel this function, press button 12 again.

**F) Timer function (Fig. 12)****a) Timer On setting**

1. Press button 7 during operation to set the timer to “ON”. Each press of the key changes the sequence Start time > Cancel.
2. Press the hours/minutes button to set the current time. Each press changes the time by 1 hour or 10 minutes. (AM=24.00-12.00; PM=12.00-24.00)
3. To cancel:  
Press button 7 to cancel the timer setting.

**b) Timer Off setting**

1. Press button 13 during operation to set the timer to “OFF”. Each press of the key changes the sequence > Timer “OFF” switch off.
2. Press the hours and minutes button to set the Timer OFF to the right time. Each press changes the time by 1 hour or 10 minutes.
3. Switching off  
Press button 13 to switch off the timer.

**Note:**

- Timer ON and Timer OFF can be combined, with the setting time which is closest to the actual time having priority.  
(→←) means Timer OFF, or Timer ON follows).
- If the clock on the remote control has not been correctly set, this will result in an incorrect setting on the timer as well.

**10. Cleaning notes****Important!**

Switch the device off and pull the mains plug each time before cleaning.

**Note!**

The time intervals at which the device should be cleaned are a factor of the area of installation. The

time intervals listed below should be maintained in most cases.

Keep the outdoor device and the area around the outdoor device clean. Regularly remove leaves, etc. which can collect around the outdoor device.

#### Cleaning the housing of the indoor device

- Clean the housing of the indoor device using only a soft, wet cloth when necessary.
- In order to avoid damaging the housing and electronics, avoid the use of gasoline, thinners, scouring powder, cleaners and the like when cleaning.

#### Cleaning the air filters of the indoor device

Make sure that the air filters are clean! Soiled air filters reduce the air output of the device. The air filters of the indoor device should be checked and, if necessary, cleaned on a monthly basis.

1. Raise the front panel of the indoor device until the panel audibly clicks into position in its open position (Fig. 13).
2. Raise the air filter slightly using the handle (Fig. 14) to take the filter out of the filter holder and then pull it downwards to remove it. Take the air filter out of the indoor device (Fig. 15).
3. Clean the netting in the air filter with a vacuum cleaner or wash it out with water.
4. Then dry the filter in a cool place.
5. Place the top part of the air filter back into the device and ensure that its left and right edges are correctly aligned. Then insert the filter in full (Fig. 16).
6. Close the front panel again.

#### Cleaning the heat exchanger of the indoor device

The heat exchanger must be cleaned at least once annually. To do this, remove the air filters from the indoor device as described above.

- Using a vacuum cleaner or a long-bristled brush, carefully remove any dirt deposits on the heat exchanger; this will avoid damaging the heat exchanger fins. A damaged heat exchanger will lead to higher operating costs.
- Take steps to ensure that you do not injure yourself on the fin edges!

## 11. General notes

#### Restarting after lengthy non-use

If the air-conditioning system has not been used for a lengthy period, check the following before you switch it on:

1. there are no objects covering the outdoor or

indoor unit.

2. the socket from which the unit is operated has been installed correctly
3. the air filters are clean

#### Care precautions

If the air conditioner is not going to be used for some period of time:

1. Let the fans run for 6 hours to allow the device to completely dry out. Set the highest possible temperature level while the fans are running.
2. Switch off the device and pull the power plug.
3. Clean the air filters and housing parts.
4. Remove all dirt from the outdoor unit.
5. Take the batteries out of the remote control.

#### If the following events occur during operation, they do not constitute a fault.

##### 1. Safety function of the air conditioning system, compressor trip

- a) After the system has been switched on again, the compressor will not cut in until after a delay of three minutes.
- b) The device has a special function that prevents cold air being blown out in heat mode if the heat exchanger in the indoor device is in one of the following situations and the set temperature has not yet been reached:
  - Heat mode has just been started.
  - De-icing taking place.
  - Heat mode with a low temperature setting.
- c) The internal and external fans will be shut down during de-icing. De-icing is taking place.
- d) If the outdoor temperature is high and the humidity is high, the outdoor device may ice up whilst it is operating. This will result in reduced heat output by the air conditioning system. If this is the case the air conditioning system will terminate heat mode and start de-icing mode automatically. The de-icing time may be 4 – 10 minutes depending on the outdoor temperature and the amount of ice deposited on the outdoor device.

##### 2. "White mist" is emitted from the indoor device

- a) If the temperature difference between the air inlet and air outlet is large and the relative humidity in the room is also high. "white mist" may be generated in cool mode.
- b) If the air conditioning system is restarted in heat mode after de-icing, "white mist" may be generated by moisture in certain circumstances.

**GB****3. A low noise is emitted by the air conditioning system**

- a) When the compressor is running or shortly after it has been switched off, a hissing noise may be heard, caused by the refrigerant flowing through the pipes.
- b) When the compressor is running or shortly after it has been switched off, a "screeching" noise may be audible, caused by the heat expansion and cold contraction of the plastic parts in the device due to temperature changes.
- c) The first time the power supply is switched on, the air flap will return to its initial position.

**4. Dust is blown out of the indoor device**

- a) This is normal if the air conditioning system has been switched off for a lengthy period of time and when it is started for the first time.

**5. A strange odor emanates from the indoor device**

- a) This odor is generated in the indoor device and is emitted by certain materials or pieces of furniture or by cigarette smoke.

**6. The air conditioning system switches to exclusive fan mode from cool or heat mode**

When the indoor temperature has reached the set temperature, the compressor will cut out automatically and the air conditioning system will be operated in FAN mode. As soon as the indoor temperature in COOL mode rises above the set value or in HEAT mode it falls under the set value, the compressor will cut in again.

**7. In rooms with high relative humidity (over 80%), water droplet are deposited on the surface of the indoor device in cool mode**

Set the horizontal air flap to the vertical air outlet position and select a HIGH fan speed.

**8. Heat mode**

In heat mode, the air conditioning system draws in warm air from the outdoor device and dissipates it through the indoor device to the indoor area. If the outdoor temperature falls, the volume of hot air drawn in through the air conditioning falls accordingly. At the same time the heat load of the air conditioning system increases as a result of the large difference between the indoor and outdoor temperature. This may result in the air conditioning system being unable to achieve an adequate room temperature. Please note that the heat function is only really suitable for use during autumn and spring.

**9. A lightning strike or the mobile phone in a car in use near the system may cause faults in the device**

In this case disconnect the device's power supply briefly and then reconnect it. Press the ON/OFF button on the remote control to restart the device.

**12. Troubleshooting****Device does not start. Check the following:**

1. Is voltage present at the plug socket outlet?
2. Check the plug fuse!
3. Is the timer set?

**The device does not provide satisfactory cooling!****Check the following:**

1. Has an appropriate temperature been set?
2. Is the air filter soiled? Clean and fit back in place.
3. Are the inlets and outlets on the outdoor device blocked?
4. Has the sleep mode been set during the day?
5. Are the connections between the indoor and outdoor device adequately sealed? There may not be enough coolant? If so, please contact your service company.

**The remote control does not work!****(Important! It only works within a range of 8 m from the indoor device.)**

1. Are the batteries still OK? Replace if necessary!
2. Have the batteries been inserted correctly? Check that the + and – terminals are correct!
3. Are there any objects between the indoor unit and the remote control which may interfere with the signal? Remove these objects.

**In the event of a power failure, check the following:**

Press the ON/OFF key after a power failure.

If the problems remain after checking through the above points, switch off the device and contact your service company.



## The following pages are intended for professional installers.

### Important

Do not hesitate to contact our service partners. They will be able to give you a speedy response to all your questions so that your system can be installed correctly.

## 13. Installation accessories

Before you start to install the devices, please check that all the installation accessories have been supplied.

2x mounting plate for the indoor device  
 2x infrared remote control  
 4x battery (type AAA, 1.5 V)  
 2x condensed water hose (L = 2 m)  
 2x wall hole cap  
 2x roll of plastic wrapping tape  
 2x set of refrigerant lines (L = 5 m)  
 8x screw ST 4x25  
 2x wall passage hole  
 4x wall clip  
 2x pipe insulation, approx. 15 cm long  
 1x condensation drain

## 14. Installation instructions (Fig. 10)

**Check that the actual mains voltage is the same as the mains voltage specified on the rating plate.**

- Use only suitable fastening material.
- Important. Make sure that there are no electric cables or other installations (for example water pipes) near the drill holes.
- Earth the outdoor device in accordance with current regulations.
- The device must have separate protection against short-circuits.
- Have all work of electrical installation performed by an electrician.
- Ask a service partner or specialist cooling system firm to undertake all work of installing the cooling system.
- Incorrect installation can lead to injury or damage to property.
- Always wear ear muffs, goggles and work gloves when performing work of installation.

### Notes on electrical connection!

All electrical connection work must be performed by a qualified electrician authorized to do so such work by the applicable electricity supply company. The system must have separate protection against short-circuits. Select a suitably large cable cross-section. The yellow/green wire is to be used as a protective conductor only and under no circumstances as a voltage carrying conductor. The fixed electrical connection of the device must be capable of being isolated from the mains power supply by a device with an isolating distance of at least 3 mm (e.g. circuit-breaker).

Connect the electrical connections of the indoor and outdoor devices together first and then connect to the mains power supply. Check first that the entire system is voltage-free. Secure the system from being switched on again.

## A. Selecting the place of installation

### Indoor device

1. The openings for the inlet and outlet air must never be covered, otherwise the air will not be distributed throughout the entire room.
2. Install the indoor device in a location which ensures that the distance through the wall to the outdoor device is as short as possible.
3. Make sure that the drainage hose does not have any kinks or upward inclines when you connect it with the outside.
4. Do not select a location adjacent to a source of heat, high humidity or inflammable gas.
5. Select a location which is firm enough for installation so that the device is not subjected to vibrations.
6. Check that the device has been installed correctly and exactly.
7. Make sure that there is sufficient space available for later repair and service work.
8. The device should be installed at a distance of at least 1 m from all other electrical devices and installations, e.g. TV, radio, computer, etc.
9. Select a location for the device which is easily accessible so that the filter can be cleaned or replaced without difficulty.
10. The maximum distance between the standard indoor unit and outdoor unit is 5 m. The maximum possible length of the refrigerant line is 10 m with a maximum height difference of 5 m.
11. Avoid direct sunlight.

**GB****Outdoor device**

1. Select a location which avoids causing a nuisance to neighbours from noise and air emissions from device.
2. Select a location which is sufficiently well ventilated.
3. Never cover the air inlets and outlets.
4. The location must be sufficiently firm for installation and the prevention of vibrations.
5. There must be no risk presented by combustible gas or gas escaping as a result of corrosion.
6. Check that the device is installed in accordance with regulations.
7. It should be installed at least 20 cm above the expected snow line. Snow must not be allowed to get into the outdoor unit.
8. The wall for installation must be strong and capable of supporting the weight of the unit.
9. The device must not be exposed to strong gusts of wind.
10. Make sure that the device is well ventilated and kept free of dust. Avoid direct exposure to rain and sunlight.
11. Install on a firm base, avoiding excessive noise or vibrations.

**Important:**

**The following could cause malfunctions. Check with your service company in order to prevent possible malfunctions at a later date.**

**The following locations should be avoided for installation:**

- A location where oil (machine oil) is stored.
- A location where there is a high salt content.
- A location with numerous sulphurous sources, e.g. spa zones.
- A location where radio transmitters or amplifier aerials, welding equipment or medical equipment are in use.
- A location where the outdoor device is exposed to direct sunlight. If necessary the device must be protected with a sun-shade. Such a sun-shade must not interfere with the air flow, however.
- A location in the vicinity of heat or steam generators.
- A location which is heavily exposed to dust.
- A location to which the general public have access.
- A location with any other unusual characteristics.

**Important!**

- The direction in which the air is blown should correspond with the prevailing direction of the

wind.

- Never install in locations exposed to aggressive air.
- Comply with all specified minimum distances (see Important notes on installation).
- The indoor and outdoor devices may only be installed if they are in a horizontal position measured using a spirit level. Check this after you have completed the installation work.
- Do not kink or compressed the refrigerant lines.
- All the refrigerant lines, including connectors and valves must be fitted with diffusion-resistant heat insulation.
- Do not remove the protective caps from the refrigerant lines / connections on the device until immediately before you connect them.
- Open refrigerant lines must be protected from the ingress of moisture by suitable caps or adhesive tapes.

**B. Installing the indoor device**

It is imperative that you comply with the installation instructions.

**1. Before you start installation**

- Select the location for the indoor device (follow the previous notes on selecting the location for installation).
- Check that the available mains voltage is the same as the voltage specified on the rating plate.
- Fit appropriate insulation, supplied by the customer, to the coolant tubes.

**2. Fitting the mounting plate (Fig. 18/19)**

- The mounting plate for the indoor device must be fitted horizontally to the wall. In doing so, it is imperative that you comply with all specified distances. Mark and drill the holes for fastening the mounting plate, and then firmly fasten with dowels and screws. In order to prevent vibrations on the indoor device, make sure that there are no gaps between the wall and the mounting plate.

**3. Drilling holes through the walls (Fig. 19/20)**

- Drill the hole through the wall for the lines/hoses using a 65 mm drill bit, drilling from the inside (A) to the outside (B) at an angle downwards of approx. 5°.

**4. Fitting the condensation water drainage hose (Fig. 21)**

- The drainage water hose must be run to the outside with a drop. It is imperative that there are no bends or kinks. The end of the drainage hose



must not be situated in a container of any kind in which water can collect. Any water held back in the drainage water hose could lead to water damage.

- Slide the additional drainage hose onto the mounts on the drainage hose already fixed to the indoor device. Fasten this connection point with adhesive tape, checking that it is fully sealed as you do so.

#### Important note:

The following work must be carried out exclusively by our service partner or a specialist refrigeration contractor of your choice.

#### 5. Wrapping the lines/hoses in protective tape (Fig. 22/23)

- Please note that the power cable is not to be fed through to the outside. All tubes, electric cables and the drainage water hose have to be wrapped with the supplied protective tape. Depending on whether the lines are right-hand or left-hand versions, the corresponding bushing preparations must be removed from the indoor device.
- The package of lines/hoses is to be laid between the housing of the indoor device and the wall.

#### Key for Fig. 22

A = Indoor / Outdoor device connection cable  
B = Refrigerant line  
C = Wrapping tape  
D = Condensation drain hose

#### 6. Final installation of indoor device

- Feed the package of lines/hoses through the supplied wall passage. Position the wall passage cap on the wall passage from the outside. Seal the wall passage against the wall using the supplied sealing compound.

#### C. Installing the outdoor device

It is imperative that you follow the installation instructions.

##### 1. Before you start installation

- Select the location for installation (follow the previous notes on selecting the location).
- Check that the available mains voltage is the same as the voltage specified on the rating plate.
- The maximum possible distance between the indoor and the outdoor device using the supplied accessories is 5 m.
- If the outdoor device is higher than the indoor device, make sure that a curve is made in the coolant tube which is lower than the bottom edge

of the indoor device.

- Secure the condensation drain to the base of the outdoor device. Drain the water generated when the system is in heating mode through a hose.

#### 2. Installing the outdoor device

- The outdoor device can be fastened to the ground or to a wall bracket (e.g. special accessory Art. No. 23.651.57) with dowels and screws. To do so, use the holes on the device.

#### D. Connecting the refrigerant lines

##### Important notes

- Please make sure that coolant is never allowed to enter the environment.
- Improper handling of coolant may be harmful to health. Always wear work gloves and goggles when handling coolant.
- Make sure that the work place is well ventilated at all times. Smoking is prohibited.
- The device must never be operated without the coolant tubes connected, otherwise the device will be damaged immediately.
- Ask one of our service partners or a specialist cooling system firm to connect the coolant lines and put the system into operation for the first time.

##### Important

1. Have all service work performed by a specialist firm only. Request a copy of our list of service partners for any such work.
2. If ever the voltage carrying cable between the indoor device and the outdoor device should be damaged, contact a specialist firm.
3. If the power cable should ever be damaged, have it replaced by an electrician.
4. Important note:
  - a) The maximum length of the coolant line in the basic version is 5 meters.
  - b) If the outdoor device is higher than the indoor device, a curve will be required in the coolant tube which is positioned below the height of the indoor device.

#### Electrical connection (Fig. 24)

Note: The electrical connection must be made by a qualified electrician. Ensure that the system is not live during the connection work.

Key for Fig. 24

IA = Indoor device A  
SA = Control cable A  
OA = Outdoor device A

**GB**

IB = Indoor device B  
 SB = Control cable B  
 OB = Outdoor device B

Core colors for the terminal assignment

1 = White  
 2 = Black  
 3 = Red  
 L = Brown  
 N = Blue  
 PE = Yellow and green

Cabling

2A = 2-core rubber cable from indoor device A  
 3A = 3-core rubber cable from indoor device A  
 M = Mains cable  
 2B = 2-core rubber cable from indoor device B  
 3B = 3-core rubber cable from indoor device B

- Connect control cable SA from indoor device A to outdoor device A
- Connect control cable SB from indoor device B to outdoor device B
- Connect the white cores on the 2-core rubber cables 2A/2B to terminal 1 in the appropriate outdoor device.
- Connect the black core on the 2-core rubber cables 2A/2B to terminal 2 in the appropriate outdoor device.
- Connect the red cores on the 3-core rubber cables 3A/3B to terminal 3 in the appropriate outdoor device.
- Connect the brown cores on the 3-core rubber cables 3A/3B to terminal L in the appropriate outdoor device.
- Connect the blue cores on the 3-core rubber cables 3A/3B to terminal N in the appropriate outdoor device.
- Connect the yellow and green cores on the 3-core rubber cables 3A/3B to terminal PE in the appropriate outdoor device.
- Secure the electric cables with strain-relief clamps, as shown in Fig. 24.

The mains cable M may be fitted with a plug with an earth contact approved for outdoor use in accordance with all the relevant regulations.

After you have completed the installation of the device, check its electrical safety.

**Remote control holder**

Before you mount the holder, check that the remote control can be received by the indoor device from the planned location for the holder.

Do not select a position in direct sunlight or in the

vicinity of any sources of heat.

Check that the + and – terminals on the batteries are positioned correctly in the remote control.

Fasten the remote control holder to the wall with dowels and screws.

**15. Evacuation**

The evacuation procedure may only be carried out by an authorized expert. Draining refrigerant damages the environment and is a criminal offence.

When the lines have been connected, the system can be evacuated using a vacuum pump and a seal test can be carried out.

**16. Initial startup**

Initial startup must be performed by an authorized specialist and documented.

**17. Ordering replacement parts**

Please quote the following data when ordering replacement parts:

- Type of machine
  - Article number of the machine
  - Identification number of the machine
  - Replacement part number of the part required
- For our latest prices and information please go to [www.isc-gmbh.info](http://www.isc-gmbh.info)



## Konformitätserklärung

ISC-GmbH · Eschenstraße 6 · D-94405 Landau/Isar

D erklärt folgende Konformität gemäß EU-Richtlinie  
 und Normen für Artikel  
 GB declares conformity with the EU Directive  
 and standards marked below for the article  
 F déclare la conformité suivante selon la  
 directive CE et les normes concernant l'article  
 NL verklaart de volgende conformiteit in overeen-  
 stemming met de EU-richtlijn en normen voor  
 het artikel  
 E declara la siguiente conformidad a tenor de la  
 directiva y normas de la UE para el artículo  
 P declara a seguinte conformidade de acordo  
 com a directiva CE e normas para o artigo  
 S förklarar följande överensstämmelse enl. EU-  
 direktiv och standarder för artikeln  
 FIN ilmoittaa seuraavaa Euroopan unionin direkti-  
 ivien ja normien mukaista yhdenmukaisuutta  
 tuotteelle  
 H erklærer herved følgende samsvar med EU-  
 direktiv og standarder for artikkel  
 BZ заявляє про відповідність товару  
 наступним директивам и нормам ЕС  
 IZ izjavljuje sljedeću uskladenost s odredbama i  
 normama EU za artikl.  
 HR deklarā urmātoarea conformitate cu linia direc-  
 toare CE și normele valabile pentru articolul.  
 RO őrün ile ilgili olarak AB Yönetmelikleri ve  
 Normları gereğince aşağıdaki uygunluk açikla  
 masını sunar.  
 TR δηλώνει την ακόλουθη συμφωνία σύμφωνα με  
 την Οδηγία ΕΕ και τα πρότυπα για το προϊόν  
 GB


I dichiara la seguente conformità secondo la  
 direttiva UE e le norme per l'articolo  
 GB attesterer følgende overensstemmelse i  
 henhold til EU-direktiv og standarder for produkt  
 CZ prohlašuje následující shodu podle směrnice  
 EU a norem pro výrobek.  
 H a következő konformitást jelenti ki a termékek-  
 re vonatkozó EU-irányvonalak és normák szerint  
 GB pojasnjuje sledečo skladnost po smernici EU  
 in normah za artikel.  
 PL deklaruje zgodność wymienionego ponizej  
 artykułu z następującymi normami na  
 podstawie dyrektywy WE.  
 SK vydáva nasledujúce prehlásenie o zhode podľa  
 smernice EU a noriem pre výrobok.  
 BZ декларира следното съответствие съгласно  
 директивите и нормите на ЕС за продукта.  
 IZ заявляє про відповідність згідно з Директивою  
 ЄС та стандартами, чинними для даного товару  
 BZ deklareerib vastavuse järgnevalele EL direktiivi  
 dele ja normidele  
 IZ deklaruoja atitiktį pagal ES direktyvas ir normas  
 straipsniui  
 HR izjavljuje sledeći konformitet u skladu s odred  
 bom EZ i normama za artikl  
 RO Atbilstības sertifikāts applicina zemāk minēto preču  
 atbilstību ES direktīvām un standartiem  
 TR Samræmsyfirlýsing staðfestir eftirfarandi samræmi  
 samkvæmt reglum Evrópubandalagsins og stöðlum  
 fyrir vörur

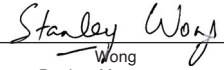
## Klima-Splitanlage Dual Split 2500 C+H

- |                                                 |                                                 |
|-------------------------------------------------|-------------------------------------------------|
| <input type="checkbox"/> 98/37/EG               | <input type="checkbox"/> 87/404/EWG             |
| <input checked="" type="checkbox"/> 2006/95/EG  | <input type="checkbox"/> R&TTED 1999/5/EG       |
| <input type="checkbox"/> 97/23/EG               | <input type="checkbox"/> 2000/14/EG_2005/88/EG: |
| <input checked="" type="checkbox"/> 2004/108/EG | <input type="checkbox"/> 95/54/EG:              |
| <input type="checkbox"/> 90/396/EWG             | <input type="checkbox"/> 97/68/EG:              |
| <input type="checkbox"/> 89/686/EWG             |                                                 |

**EN 60335-2-40; EN 60335-1; EN 50366; EN 55014-1; EN 55014-2;  
EN 61000-3-2; EN 61000-3-3**

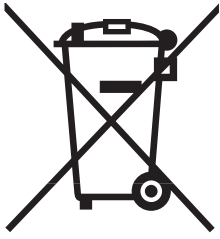
Landau/Isar, den 07.01.2008

  
 Weichselgartner  
 General-Manager

  
 Wong  
 Product-Management

Art.-Nr.: 23.653.86 I.-Nr.: 01017  
Subject to change without notice

Archivierung: 2365386-36-4155050-07



Ⓒ For EU countries only

Never place any electric tools in your household refuse.

To comply with European Directive 2002/96/EC concerning old electric and electronic equipment and its implementation in national laws, old electric tools have to be separated from other waste and disposed of in an environment-friendly fashion, e.g. by taking to a recycling depot.

Recycling alternative to the demand to return electrical devices:

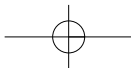
As an alternative to returning the electrical device, the owner is obliged to cooperate in ensuring that the device is properly recycled if ownership is relinquished. This can also be done by handing over the used device to a returns center, which will dispose of it in accordance with national commercial and industrial waste management legislation. This does not apply to the accessories and auxiliary equipment without any electrical components which are included with the used device.



©

The reprinting or reproduction by any other means, in whole or in part, of documentation and papers accompanying products is permitted only with the express consent of ISC GmbH.

© Technical changes subject to change





---

---

---

---

---

---

---

---

---

---

---

---

---

---

---

---

---

---

---

---

---

---

---

---

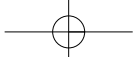
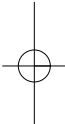
---

---

---

---

---





---

---

---

---

---

---

---

---

---

---

---

---

---

---

---

---

---

---

---

---

---

---

---

---

---

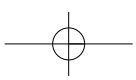
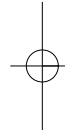
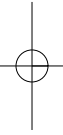
---

---

---

---

---



# **GUARANTEE CERTIFICATE**

## **Dear Customer,**

All of our products undergo strict quality checks to ensure that they reach you in perfect condition. In the unlikely event that your device develops a fault, please contact our service department at the address shown on this guarantee card. Of course, if you would prefer to call us then we are also happy to offer our assistance under the service number printed below. Please note the following terms under which guarantee claims can be made:

1. These guarantee terms cover additional guarantee rights and do not affect your statutory warranty rights. We do not charge you for this guarantee.
2. Our guarantee only covers problems caused by material or manufacturing defects, and it is restricted to the rectification of these defects or replacement of the device. Please note that our devices have not been designed for use in commercial, trade or industrial applications. Consequently, the guarantee is invalidated if the equipment is used in commercial, trade or industrial applications or for other equivalent activities. The following are also excluded from our guarantee: compensation for transport damage, damage caused by failure to comply with the installation/assembly instructions or damage caused by unprofessional installation, failure to comply with the operating instructions (e.g. connection to the wrong mains voltage or current type), misuse or inappropriate use (such as overloading of the device or use of non-approved tools or accessories), failure to comply with the maintenance and safety regulations, ingress of foreign bodies into the device (e.g. sand, stones or dust), effects of force or external influences (e.g. damage caused by the device being dropped) and normal wear resulting from proper operation of the device.

The guarantee is rendered null and void if any attempt is made to tamper with the device.

3. The guarantee is valid for a period of 2 years starting from the purchase date of the device. Guarantee claims should be submitted before the end of the guarantee period within two weeks of the defect being noticed. No guarantee claims will be accepted after the end of the guarantee period. The original guarantee period remains applicable to the device even if repairs are carried out or parts are replaced. In such cases, the work performed or parts fitted will not result in an extension of the guarantee period, and no new guarantee will become active for the work performed or parts fitted. This also applies when an on-site service is used.
4. In order to assert your guarantee claim, please send your defective device postage-free to the address shown below. Please enclose either the original or a copy of your sales receipt or another dated proof of purchase. Please keep your sales receipt in a safe place, as it is your proof of purchase. It would help us if you could describe the nature of the problem in as much detail as possible. If the defect is covered by our guarantee then your device will either be repaired immediately and returned to you, or we will send you a new device.

Of course, we are also happy offer a chargeable repair service for any defects which are not covered by the scope of this guarantee or for units which are no longer covered. To take advantage of this service, please send the device to our service address.