



User Manual



ELECTRIC GRASS TRIMMER GLR 450/5

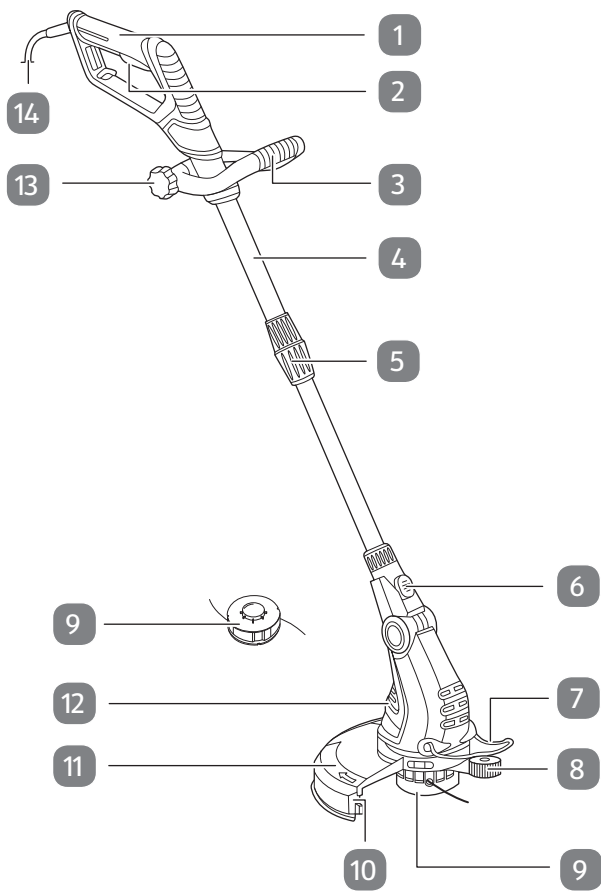


Original instructions

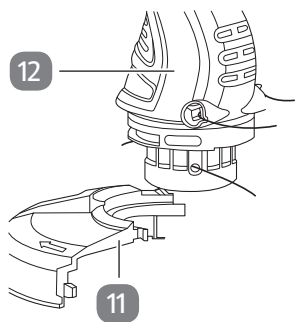
Contents

| | |
|------------------------------------------------------|-----------|
| Overview | 3 |
| Use..... | 4 |
| Package contents/device parts..... | 6 |
| General information..... | 7 |
| Reading and storing the user manual | 7 |
| Explanation of symbols | 7 |
| Safety | 9 |
| Proper use..... | 9 |
| Residual risks..... | 9 |
| General safety instructions | 10 |
| Supplementary safety instructions | 15 |
| Before first use | 19 |
| Checking the grass trimmer and package contents..... | 19 |
| Mounting the protective cover and edge guide..... | 19 |
| Mounting the extra handle | 19 |
| Operation..... | 20 |
| Adjusting the height of the guide bar | 20 |
| Adjusting the extra handle | 20 |
| Setting the inclination angle | 21 |
| Using the grass trimmer | 22 |
| Using the grass trimmer as an edger | 23 |
| After use | 24 |
| Cleaning and maintenance..... | 24 |
| Cleaning the grass trimmer | 25 |
| Replacing the line spool | 25 |
| Storage | 26 |
| Transport | 26 |
| Troubleshooting..... | 26 |
| Spare part list | 27 |
| Technical data | 28 |
| Noise/vibration information | 29 |
| Disposal..... | 31 |
| Disposing of the packaging | 31 |
| Disposing of the grass trimmer | 31 |
| Declaration of conformity..... | 32 |

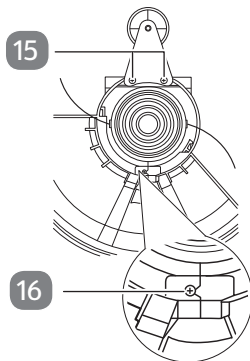
A

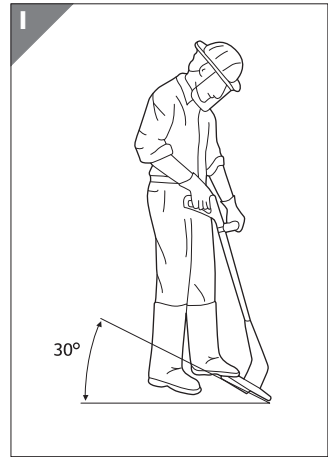
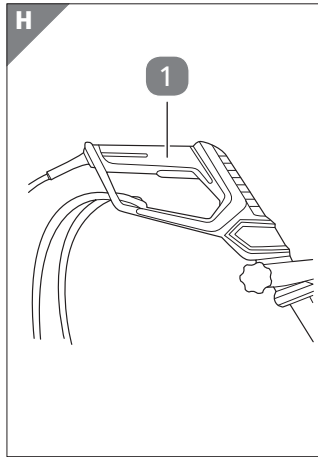
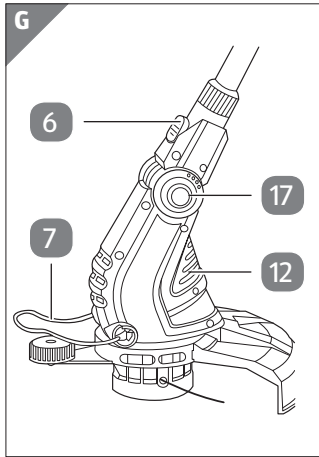
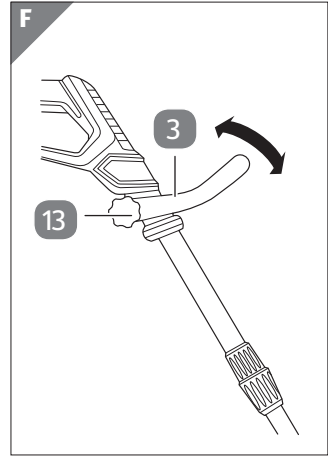
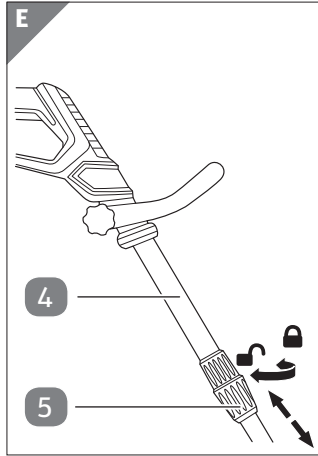
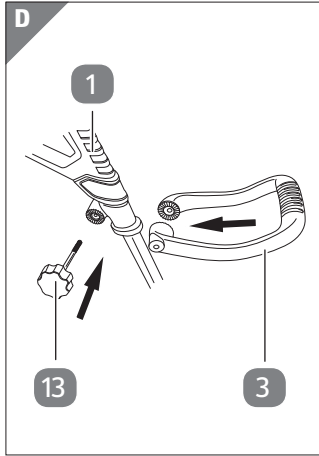


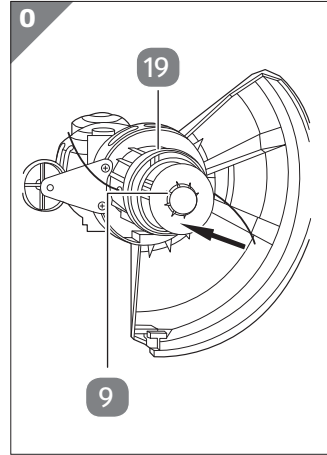
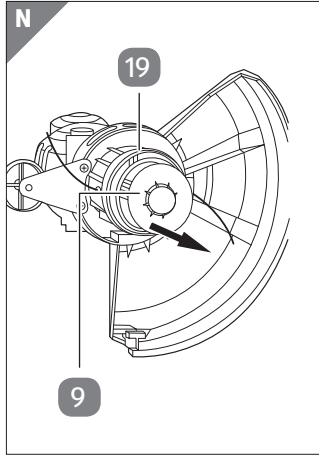
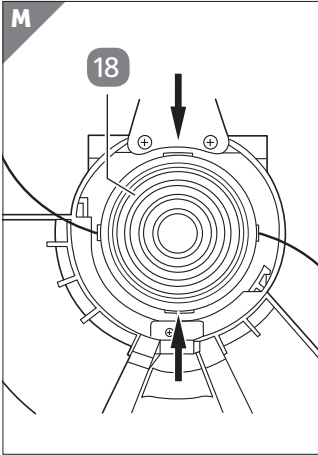
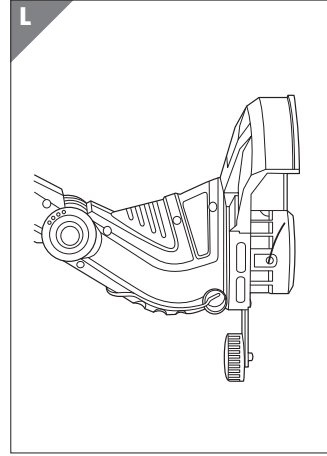
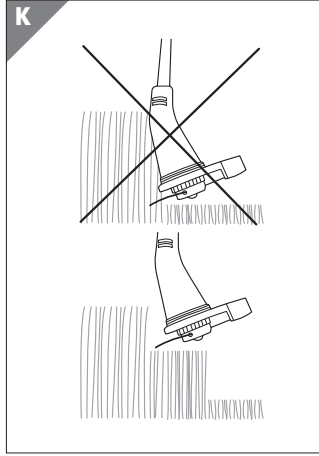
B



C







9

9

Package contents/device parts

- 1 Handle
- 2 On/Off switch
- 3 Extra handle
- 4 Guide bar
- 5 Safety closure
- 6 Button (turn the handle)
- 7 Flower protector ring
- 8 Edge guide
- 9 Line spool, 2×
- 10 Blade (thread shortening)
- 11 Protective cover
- 12 Motor housing
- 13 Tensioning screw (extra handle)
- 14 Mains cord
- 15 Screw (edge guide), 2×
- 16 Screw (protective cover)
- 17 Button (setting the inclination angle)
- 18 Spool cover
- 19 Spool holder

General information

Reading and storing the user manual



This user manual accompanies this electric grass trimmer GLR 450/5 (referred to below only as the “grass trimmer”). It contains important information on safety, usage and care.

Before using the grass trimmer, read the user manual carefully – especially the safety instructions. Failure to comply with this user manual may result in severe injury or damage to the grass trimmer.

The user manual is based on the standards and rules in force in the European Union. When abroad, you must also observe country-specific guidelines and laws.

Store the user manual for future use. If you pass the grass trimmer on to third parties, please be absolutely sure to include this user manual.

Explanation of symbols

The following symbols and signal words are used in this user manual, on the grass trimmer or on the packaging.



WARNING!

This signal symbol/word designates a hazard with moderate risk, which may result in death or severe injury if not avoided.

NOTICE!

This signal word warns against potential damages to property.



This symbol provides you with useful supplementary information on assembly or use.



Declaration of conformity (see chapter “Declaration of conformity”): Products marked with this symbol meet all applicable Community regulations for the European Economic Area.



Carefully read through the entire user manual.

General information



Attention!



Wear protective eye protection.



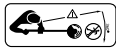
Wear ear protection.



Protect the grass trimmer against moisture. Do not use the grass trimmer in the rain or for wet grass.



Pull the mains plug out if the cord is damaged or tangled.



Maintain adequate distance to other persons, particularly children and animals. Pay attention to flying parts.



Attention! The grass trimmer continues to run.



Cutting circle-
Ø 30 cm

The cutting diameter amounts to 30 cm.



9,000

9,000 revolutions per minute.



230 - 240V ~ 50Hz
450W

Nominal voltage/frequency: 230–240 V~/50 Hz, nominal output: 450 W



Do not pull on the mains plug if the connector cord is located in the cable strain relief on the handle.



Guaranteed sound power level in dB.



This symbol identifies the grass trimmer as a device belonging to protection class II.

Safety

Proper use

The grass trimmer is only designed for cutting lawns and small grassy areas. It is only intended for private users for hobby and do it yourself applications and is not suitable for commercial use e.g. in public areas, parks, sports facilities, on the roadside or in agriculture and forestry. The grass trimmer is not suitable for shredding in connection with “composting”.

Only use the grass trimmer as described in this user manual. Any other applications are expressly prohibited and are deemed improper use.

Neither the manufacturer nor the retailer can accept any responsibility for injury, loss or damage caused by misuse of this product of any kind. Examples of misuse are given in the following non-exhaustive list:

- using the grass trimmer for other than the intended purposes;
- failure to observe the safety instructions and warnings as well as the assembly, operating, maintenance and cleaning instructions contained in this user manual;
- failure to comply with any regulations relating to accident prevention, occupational medicine or safety, which specifically and/or generally apply to the use of the grass trimmer;
- use of accessories and spare parts not intended for the grass trimmer;
- modifications to the grass trimmer;
- repairs of the grass trimmer performed by parties other than the manufacturer or a qualified professional;
- use of the grass trimmer for commercial or industrial applications as well as in connection with the trades;
- operation or maintenance of the grass trimmer by persons not familiar with how to handle the grass trimmer and/or who are not aware of the related risks.

Residual risks

Despite proper use, inconspicuous residual risks cannot be completely ruled out. The following risks may arise due to the nature of the grass trimmer:

- Injury and damage to property caused by projected parts.
- Lung injury if a suitable dust mask is not worn.
- Hearing damage due to not wearing suitable ear protection or use of the grass trimmer over a prolonged period of time.

- Injury to health attributed to hand-arm vibration emissions if the grass trimmer is used over a prolonged period of time or is not guided and maintained properly.



Warning! This power tool generates an electromagnetic field during operation. Under certain circumstances, this field may affect active or passive medical implants. To reduce the risk of serious or fatal injury, we recommend persons with medical implants to consult their physician and the manufacturer of the medical implant before using the machine!

General safety instructions



Danger for children and persons with impaired physical, sensory or mental capacities (e.g. partially disabled persons, older persons with reduced physical and mental capacities) or lack of experience and knowledge (e.g. older children).

- Keep children away from the grass trimmer and connector cable.
- Do not leave the grass trimmer unattended while in operation.
- Do not let children play with the packaging. Children may get caught in it when playing and suffocate.

IMPORTANT

READ CAREFULLY BEFORE USE

KEEP FOR YOUR RECORDS

- a) Protect the electric parts against moisture. While cleaning and operating, never dip them in water or other liquids to avoid an electric shock. Never hold the grass trimmer under running water.
- b) Switch the grass trimmer off, pull the mains plug to disconnect it from the power supply and let the grass trimmer cool off before setup, changing accessories, cleaning, maintenance, storing or transporting the grass trimmer.

-
- c) Switch the grass trimmer off and disconnect it from the power supply before changing accessories, before cleaning it and when you are not using it.
 - d) If the mains connection line of this grass trimmer is damaged, it must be replaced with a special connector cable that can be obtained from the manufacturer or its After Sales Support.

Training

- a) Read through the instructions carefully. Familiarise yourself with all controls as well as proper use of the machine.
- b) Never allow children or persons not familiar with these instructions to use the machine. Valid local regulations may restrict the age of the user.
- c) It must be noted that the user will be held responsible for accidents or risks to other persons or their property.

Preparation

- a) Always check the connection and extension lines for signs of damage or ageing before use. If the line is damaged during use, it must be immediately disconnected from the mains. **DO NOT TOUCH THE LINE BEFORE DISCONNECTING IT FROM THE MAINS.** Do not use the machine if the line is damaged or worn.
- b) Before use, you must check the machine for damaged, missing or incorrectly mounted protective equipment or covers.
- c) Never operate the machine if there are persons, particularly children, or pets nearby.
- d) Carefully check the terrain where you intend to use the machine and remove all objects that could be caught by the machine and projected.

- e) Before switching the machine on, you must always check whether all screws, nuts, bolts and other fixtures are properly secured.

Operation

- a) Keep the connector and extension line away from the cutting unit.
- b) Eye protection and secure footwear must be worn the entire period of machine use.
- c) Using the machine in poor weather conditions, particularly if there is a risk of lightning, must be avoided.
- d) Only use the machine during daylight or with sufficient artificial light.
- e) Always assume a stable stance with proper posture, especially when working on slopes.
- f) Walk, do not run.
- g) Do not touch any moving, dangerous parts before the machine has been disconnected from the mains and the moving parts have come to a stop.
- h) Never use the machine if a cover or protective equipment is damaged or without a cover or protective equipment.
- i) Only switch the motor on if your hands and feet are out of the reach of the cutting unit.
- j) Make sure that the vents are kept free of debris.
- k) Be cautious to prevent injuries to the hands and feet caused by the cutting unit.
- l) Keep the extension cord away from dangerous, moving parts to prevent damage to the extension cord.
- m) Only use the machine in the recommended position and only on a solid, level surface.
- n) Do not operate the machine on cobbled or gravel surfaces where material that is projected could inflict injury.

-
- o) Always disconnect the machine from the power supply (that is, disconnect the plug from the mains, remove the locking device or the removable battery),
 - 1) when the machine is left unattended;
 - 2) before removing a blockage;
 - 3) before checking, cleaning or processing the machine;
 - 4) after contact with debris;
 - 5) when the machine starts to vibrate unusually.

Maintenance and storage

- a) The machine must be disconnected from the power supply (that is, disconnect the plug from the mains, remove the locking device or the removable battery) before performing maintenance or cleaning.
- b) Only the spare parts and accessories recommended by the manufacturer are to be used.
- c) Regularly check and maintain the machine. Only have the machine repaired in an authorised workshop.
- d) If the machine is not in use, store it out of the reach of children.

Recommendation

The machine should be operated with a residual current device (RCD) with a release current of no more than 30 mA.

Connector cable

- a) Only use connector cables that are not damaged. Do not operate the grass trimmer if the lines are damaged or worn out.
- b) The connector cable must not be of any length (max. 50 m). Otherwise the output of the motor will be reduced. The connector cable must have a cross section of 3×1.5 mm.
- c) Longer connector cables require a larger conductor cross-section.

- d) The insulation of connector cables for grass trimmers is often damaged. Some of the causes of this are: cuts caused from cutting into the line, crushing when the connector cable is run under doors and windows, cracks due to the ageing of the insulation, kinked areas due to improper fastening or guidance of the machine's connector cable.
- e) The connector cables must be at least of type H05RN-F and triple core. The type designation must be printed on the connector cable. Only purchase connector cables with a label!
- f) The plugs and coupler sockets of connector cables must be made of rubber and splash-water proof.
- g) Connector cables and connecting lines must be checked regularly for damage.
- h) Make sure that the lines have been turned off when checking them.
- i) Completely unwind the connector cable.
- j) Also check the connector cable insertion points on plugs and coupler sockets for kinked areas.

Emergency

Familiarise yourself with using the grass trimmer by reading the user manual in its entirety. Observe the safety instructions and obey them without exception. This will help you to reduce risks and hazards.

- **Always be careful when using the grass trimmer so you can identify hazards early on and respond to them.** Swift intervention can reduce the risk of serious injury and damage to property.
- **Switch the grass trimmer off and disconnect it from the power supply in the event of problems.** If necessary, have a qualified expert repair the grass trimmer before you reuse the grass trimmer.

Supplementary safety instructions



Risk of electric shock!

A faulty electrical installation or excessive mains voltage may result in an electric shock.

- Familiarise yourself with the control equipment and proper use of the grass trimmer.
- Do not use the grass trimmer in the rain or in a damp, wet environment.
- Protect the grass trimmer against moisture and rain.
- Lay the connector cable so that it does not pose a tripping hazard.
- Do not kink the mains cord and connector cable and do not lay it over sharp edges.
- Only connect the grass trimmer if the mains voltage of the socket corresponds to the rating plate specification.
- Only connect the grass trimmer to an easily accessible socket so that you can quickly disconnect the grass trimmer from the mains in the event of a fault.
- Do not operate the grass trimmer if it is visibly damaged, if the mains cord or the mains plug or the connector cable are defective.
- Keep the area you intend to trim free of cables and hard objects.
- Do not open the housing; instead, have a qualified professional carry out the repairs. Contact a qualified workshop for this. Liability and warranty claims are waived in the event of repairs performed by the user, improper connection or incorrect operation.
- Do not operate the grass trimmer with an external timer or separate telecontrol system.
- Do not immerse the grass trimmer, the connector cable, the

mains cord or the mains plug in water or other liquids.

- Never touch the mains plug with damp hands.
- Never pull the mains plug out of the socket by the mains cord or the mains connection line respectively; instead, always do so by taking hold of the mains plug.
- Never use the mains cord or the connector cable as a carrying strap.
- Keep the grass trimmer, mains plug, mains cord and connector cable away from open flames and hot surfaces.
- Never reach to retrieve the grass trimmer if it has fallen in water. In such a case, immediately disconnect the mains plug.
- Make sure that children do not insert any objects into the grass trimmer.
- Always switch the grass trimmer off and pull the mains plug out of the socket when you are not using the grass trimmer, when you intend to clean it or in the event of a fault.
- The grass trimmer may only be operated with a residual current device (RCD) with a release current of no more than 30 mA.
- Use a connector cable of type H05RN-F in accordance with DIN 57282/VDE 0282.

The plug connections of the connector cable must have earthing contacts and the coupling must be splash-water proof. The connector cable must not be longer than 50 m. The connector cable must have a cross section of 3×1.5 mm.



WARNING!

Risk of injury!

Improper use of the grass trimmer may result in injury.

- Make sure that no stones or other hard objects touch the cutting unit when you switch the grass trimmer on.
- Only switch the grass trimmer on if you hold it perpendicular to the ground and in the correct working position. Keep it away from your body.

-
- Do not switch the grass trimmer on if it has been flipped over and is not in the working position.
 - Do not operate the grass trimmer near people, particularly children or pets. Maintain a distance of at least 5 m.
 - Do not cut any hard objects. The edge of the protective cover serves to keep the grass trimmer away from walls, hard surfaces and fragile objects.
 - Never use the grass trimmer without the protective cover. Using the grass trimmer without the protective cover voids your warranty claim.
 - Keep your hands and feet away from the cutting unit when you switch the motor on.
 - Never stop the cutting unit with your hands. Wait until it comes to a stop on its own.
 - Do not use any metallic cutting elements instead of the nylon thread (cutting unit).
 - Only cut grass growing on the ground. Do not cut grass growing on walls, rocks or similar.
 - Always wear secure footwear, long trousers, work gloves, protective goggles and a hard hat when using the grass trimmer.
 - Hold the grass trimmer firmly, but not tensely by the designated handles.
 - Make sure that you have a stable stance and straight posture. Be careful when walking backwards.
 - If the grass trimmer vibrates excessively, immediately switch it off and pull the mains plug. Check to make sure that all parts are in sound condition and secure. Stop using the grass trimmer if it is damaged and have qualified personnel perform repairs.
 - Always switch the grass trimmer off when you stop work in order to get to a new work area and when crossing gravel paths or roads. The cutting unit will continue to rotate for a few seconds. Always wait until the cutting tool has come to a standstill before you transport the grass trimmer.

NOTICE!

Risk of damage!

Using the grass trimmer improperly can cause damage to property. The operator is responsible for accidents involving other persons or their property.

- Perform a visual check before and after each use. Do not use the grass trimmer if the safety fixtures are damaged or if the line spool has not been correctly inserted and secured.
- Check the material to be cut before you start work. Remove any debris that is present. Look out for debris while working. If debris does end up in the grass trimmer when cutting, immediately take the grass trimmer out of service and remove it.
- Keep the vents free of dirt.
- Only use original spare parts.

Before first use

Checking the grass trimmer and package contents

1. Lift the grass trimmer out of the packaging with both hands.
2. Place the grass trimmer on a level, stable base, e.g. on a workbench.
3. Check to make sure that the delivery is complete (see **Fig. A**).
4. Check whether the grass trimmer or the individual parts exhibit damage. If this is the case, do not use the grass trimmer. Contact the manufacturer at the service address specified on the warranty card.
5. If possible, keep the original packaging of the grass trimmer for storage purposes and for future reference.

Mounting the protective cover and edge guide



- CAUTION! The protective cover has a small blade which removes excess thread automatically when the trimmer is in use. Always take care when handling the protective cover.
- You will need a crosshead screwdriver for assembly.
- Make sure that the grass trimmer is completely and properly assembled before operating it.

1. Mount the protective cover **11** on the back of the motor housing **12** (see **Fig. B**).
2. Use the long screw **16** to secure the protective cover on the motor housing (see **Fig. C**).
3. Use the two short screws **15** to secure the edge guide **8** on the front side of the motor housing (see **Fig. C**).
4. Remove the protective blade sticker from the blade **10**.

Mounting the extra handle

- Attach the extra handle **3** to the holder on the handle **1**. In the process, the toothing of the holder and the extra handle must interlock (see **Fig. D**).
- Use the tensioning screw **13** to fix the extra handle.

Operation



WARNING!

Risk of injury!

Improper handling of the grass trimmer may result in injury.

- Check the grass trimmer for damage before you use it.
- Never use the grass trimmer if the protective cover is missing or damaged.
- When you switch the grass trimmer off, the cutting unit will continue to rotate for a few seconds. Wait until the cutting unit has come to a complete stop before you transport, maintain or store the grass trimmer.

NOTICE!

Risk of damage!

Improper handling of the grass trimmer may result in damage.

- Use the edge guide as well as the protective cover to prevent unnecessary wear of the thread.
- Do not cut wet grass.
- Keep the grass trimmer away from hard objects. Do not cut any hard objects to prevent unnecessary wear of the thread.

Adjusting the height of the guide bar

For the best working position, adjust the height of the guide bar **4** if applicable.

1. Place the grass trimmer on the ground.
2. Release the safety closure **5** (see **Fig. E**).
3. Pull the guide bar to the desired height.
4. Tighten the safety closure again.

Adjusting the extra handle

For the best working position, adjust the extra handle **3** of the grass trimmer if applicable. At the same time, make sure that the tothing of the extra handle and the holder interlock and the extra handle is securely in place.

1. Place the grass trimmer on the ground.
2. Loosen the tensioning screw **13** of the extra handle (see **Fig. F**).
3. Set the desired position of the extra handle.
4. Tighten the tensioning screw of the extra handle again.

Setting the inclination angle



Risk of injury!

If the inclination angle of the motor housing has not been set correctly, you could injure yourself or the grass trimmer could be damaged.

- Only use the grass trimmer if the motor housing and the button have locked into one of the four positions for the inclination angle and the motor housing is securely in place.
- Do not use the grass trimmer if the motor housing is in a position that does not correspond to the setting positions (indicated by four dots).

You can set the inclination angle to four different positions (indicated by four dots on the button **17**):

1. Push the button on the side of the motor housing **12** and hold it down (see **Fig. G**).
2. Set the desired inclination angle.
3. Let go of the button so that the motor housing locks into the desired position.
4. Turn the motor housing a bit further to check whether the button locks into the respective position.

Using the grass trimmer



Risk of injury and damage!

If grass, rocks, hard objects or similar jam the cutting unit, the grass trimmer could be damaged and you could injure yourself.

- Immediately switch the grass trimmer off and pull the mains cord if grass, rocks, hard objects or similar block the cutting unit. Wait until the cutting unit has come to a complete stop and then carefully remove the debris. Wear protective gloves for this.



- If you use the grass trimmer for the first time or if you have replaced the line spool, any excess thread will be automatically shortened by the blade of the protective cover. Remove the protective blade sticker before use.
- The grass trimmer has a fully automatic thread extension system. If operating the grass trimmer shortens the thread, it will automatically extend to the maximum cutting diameter. As a result, you can always work at the optimal cutting diameter.
- Only approach the grass with the grass trimmer once the grass trimmer has been switched on.

1. Make sure that the grass trimmer has been switched off and the On/Off switch **2** has not been pushed down.
2. Arrange the extension cord (approx. 30 cm from the end of the extension cord) in a loop.
3. Run the loop through the hole in the handle **1** (see **Fig. H**).
4. Hang the loop in the cable holder on the handle.
5. Gently pull the extension cord to ensure that it is securely fitted in the cable holder.
6. Connect the mains cord **14** to the extension cord.
7. Connect the extension cord to a socket.
8. Switch the grass trimmer on by pushing the On/Off switch. Hold the On/Off switch down.
9. Hold the grass trimmer in both hands. Hold the handle with one hand and the extra handle with the other.
Hold the grass trimmer to the side slightly away from your body (see **Fig. I and J**).

10. Approach the grass with the grass trimmer.
11. Go forwards and swing the grass trimmer to the side. Tilt the grass trimmer by approx. 30° while doing so (see **Fig. I** and **J**).
12. Release the On/Off switch to switch off the grass trimmer.
13. Disconnect the grass trimmer from the mains and remove the extension cord.

Use with long grass

- From the tip, progressively cut the grass shorter (see **Fig. K**).

Protecting flowers and shrubs

- Fold the flower protector ring **7** down to keep flowers and shrubs out of the cutting area (see **Fig. A** and **G**). The flower protector ring will audibly lock into place.

Using the grass trimmer as an edger



Risk of injury!

Improper use of the grass trimmer may result in injury.

- Always make sure that the motor housing and the handle are securely locked into one of the two positions and also make sure that the button for setting the position has securely locked into place.
- Do not in any case use the grass trimmer if the motor housing or the handle are located in an “intermediate position” and have not locked into place.

You can use the grass trimmer to cut the edges of grass and beds. To do so, proceed as follows:

1. Make sure that the grass trimmer is switched off and disconnected from the mains.
2. Push the button **6** down (see **Fig. G**).
3. Hold the button down and gently turn the handle **1** / motor housing **12** over.
4. Let go of the button and turn the handle/motor housing by 180° up to the stop point until the button has locked into position.
5. If necessary, set the inclination angle (see chapter “Setting the inclination angle”).

You have converted the grass trimmer to an edger and can now cut the lawn edges vertically (see **Fig. L**).

After use

1. Release the On/Off switch **2** to switch off the grass trimmer.
2. Disconnect the grass trimmer from the mains and remove the extension cord.
3. Wait until the cutting unit has come to a stop and let the grass trimmer cool off completely.
4. Carefully remove the grass and, if applicable, debris on the cutting unit and on the grass trimmer.
5. Clean the grass trimmer as described in the chapter “Cleaning and maintenance”.
6. Check the grass trimmer for any damage and wear.

Cleaning and maintenance



WARNING!

Risk of injury!

Accidentally starting the grass trimmer may result in severe injury inflicted by the cutting unit.

- Pull the mains plug before each cleaning and maintenance.
- Make sure that the grass trimmer has been switched off and the cutting unit has come to a stop.



WARNING!

Risk of injury!

The grass trimmer is equipped with a blade for cutting the nylon thread. Improper handling may result in severe injury.

- Wear suitable protective gloves if you clean or maintain the grass trimmer.
- Never replace non-metallic cutting tools with metallic cutting tools.

NOTICE!**Risk of damage!**

Improperly cleaning may lead to damage.

- Do not use any aggressive cleaners, brushes with metal or nylon bristles or sharp or metallic cleaning utensils such as knives, hard scrapers and the like. They could damage the surfaces.
- Keep the grass trimmer, the protective fixtures and the motor housing free of dust and dirt.
- If possible, clean the grass trimmer after each use.
- Make sure that no water penetrates the motor housing.

Cleaning the grass trimmer

1. Make sure that the grass trimmer is switched off and disconnected from the mains.
2. If applicable, clean the grass trimmer with compressed air and at low pressure.
3. If applicable, remove any course deposits on the protective cover **11** with a brush.
4. Clean the motor housing **12** of the grass trimmer with a damp cloth and a small amount of soft soap.
5. Use a clean cloth to rub off the grass trimmer.

Replacing the line spool

Any excess thread will be automatically cut to the maximum cutting diameter the first time you use the machine and after replacing the line spool.

1. Make sure that the grass trimmer is switched off and disconnected from the mains.
2. Push on the side of the marked fields of the spool cover **18** and remove the spool cover (see **Fig. M**).
3. Remove the line spool **9** (see **Fig. N**).
4. Insert the new line spool.

For this, run the ends of the thread for the new line spool through the loops of the spool holder **19** (see **Fig. O**).
5. Put the spool cover back in place.

Storage

- Clean the grass trimmer as described in the chapter “Cleaning the grass trimmer”.
- Store the grass trimmer in a dry, dark, frost-free place out of the reach of children.
- The ideal storage temperature amounts to 5–30 °C.
- Store the grass trimmer in the original packaging.

Transport

- Take hold of the grass trimmer with one hand on the handle **1** and with your other hand on the extra handle **3**. **Do not carry the grass trimmer by the motor housing 12.**
- Secure the grass trimmer to prevent it from slipping when transporting it in a vehicle.
- If possible, use the original packaging for transport.

Troubleshooting

| Problem | Possible cause | Solution |
|-----------------------------------|--------------------------------------------------------------------|---------------------------------------------------------------------------------------------------------------------------------------------|
| The grass trimmer is not running. | The extension cord is damaged. The mains cord is not connected. | Replace the extension cord. Connect the mains cord to an extension cord. |
| | The On/Off switch has not been pushed. | Push the On/Off switch. |
| | Grass or debris block the cutting unit. | Remove the grass and debris. Make sure that the grass trimmer is not connected to the mains and that the On/Off switch has not been pushed. |

Spare part list


If you order spare parts, you will need the following data:

- Device type: GLR 450/5
- Article number (Einhell): 34.020.45
- Ident number: 11017
- Spare part number: (see the table below)

You can find current prices and information at www.Einhell.com.

| Description | Spare part number |
|-----------------------------|--------------------------|
| On/Off switch | 34.020.45.01.001 |
| Extra handle | 34.020.45.01.002 |
| Tensioning screw | 34.020.45.01.003 |
| Edge guide | 34.020.45.01.004 |
| Spool cover | 34.020.45.01.005 |
| Complete spool holder | 34.020.45.01.006 |
| Protective cover with blade | 34.020.45.01.007 |
| Set of three line spools | 34.051.43 |

Technical data

| | |
|------------------------------|--------------------------------------------------------------------------------------|
| Model: | GLR 450/5 |
| Protection class: | II  |
| Nominal voltage / frequency: | 230–240 V / 50 Hz |
| Nominal output: | 450 W |
| Cutting capacity: | ∅ 30 cm |
| Idle speed n_0 : | 9000 rpm |
| Nylon thread: | ∅ 1.4 mm |

Grass trimmer

Noise

| | |
|------------------------------------------------------|-------------|
| Sound pressure level L_{PA} at the operator's ear: | 84 dB(A) |
| Uncertainty K_{PA} : | 3 dB(A) |
| Measured sound power level L_{WA} : | 94.66 dB(A) |
| Uncertainty K_{WA} : | 0.99 dB(A) |

Vibration

| | |
|----------------------|----------------------|
| Handle a_h : | 1.6 m/s ² |
| Extra handle a_h : | 3.0 m/s ² |
| Uncertainty K: | 1.5 m/s ² |

Lawn edger

Noise

| | |
|------------------------------------------------------|-------------|
| Sound pressure level L_{PA} at the operator's ear: | 82 dB(A) |
| Uncertainty K_{PA} : | 3 dB(A) |
| Measured sound power level L_{WA} : | 95.76 dB(A) |
| Uncertainty K_{WA} : | 0.32 dB(A) |

Vibration

| | |
|----------------------|----------------------|
| Handle a_h : | 2.0 m/s ² |
| Extra handle a_h : | 2.3 m/s ² |
| Uncertainty K: | 1.5 m/s ² |

| | |
|---------------|--------|
| Weight: | 2.8 kg |
| Product code: | 95708 |

Noise and vibration were measured in accordance with 2000/14/EC, 2005/88/EC, EN 60335-1: 2012+A11 and EN 50636-2-91: 2014.

Noise/vibration information



Health hazard!

- Wear ear protection and suitable protective clothing when working with the device.

Noise emission values

Measured in accordance with EN 60335-1: 2012+A11 and EN 50636-2-91: 2014. The noise at your workplace may exceed 85 dB (A); protective measures are necessary in this case (wearing suitable ear protection).

- Sound pressure level L_{PA} 84 dB(A)

Grass trimmer

- Sound power level L_{WA} 94.66 dB(A)
- Uncertainty K_{WA} 0.99 dB(A)

Lawn edger

- Sound power level L_{WA} 95.76 dB(A)
- Uncertainty K_{WA} 0.32 dB(A)

The aforementioned values are noise emission values and therefore, do not necessarily represent safe values for the workplace at the same time. The correlation between emission and immission levels cannot reliably provide for a conclusion as to whether additional cautionary measures are necessary or not.

Factors that could affect the respective immission level present at the workplace involve the specification of the work area, the surrounding area, the duration of exposure, other noise sources etc.

You must also observe any divergences in national regulations with respect to the permissible workplace levels. The aforementioned information does, however, allow the user to better assess dangers and risks.

Vibration

- Handle a_h 2.0 m/s²
- Extra handle a_h 2.3 m/s²
- Uncertainty K 1.5 m/s²

ATTENTION!

The aforementioned vibration emission value (vibration level) was measured in compliance with a test procedure standardised in EN 60335-1: 2012+A11 and EN 50636-2-91: 2014 and can be used to compare power tools with one another. It is also suited for preliminary estimation of loading by vibration. The actual vibration emission value can, as described below, differ by type of application:

- condition of the grass trimmer or proper maintenance,
- type of material and use of the grass trimmer,
- use of the right accessories and whether they are in good condition,
- a firm grip of the grass trimmer by the operator,
- proper use of the grass trimmer as described in this user manual.

If the grass trimmer is improperly used, it can cause vibration-related ailments.

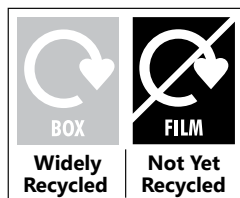
ATTENTION!

Depending on how the tool is used and the operating conditions, the following safety precautions must be taken to protect the user:

- Avoid exposure to vibrations as much as possible.
- Only use accessories in perfect working order.
- Wear vibration-damped gloves when using the grass trimmer.
- Follow this user manual on care and maintenance of the grass trimmer.
- Avoid using the grass trimmer at temperatures below 10 °C.
- Plan your work steps so as not to use strongly vibrating grass trimmers over several consecutive days.

Disposal

Disposing of the packaging



Dispose of the packaging separated into single type materials. Dispose of cardboard and carton as waste paper and film via the recyclable material collection service.

Disposing of the grass trimmer

Dispose of the grass trimmer in accordance with the regulations in your country.



Old devices must not be disposed of with household waste!

This symbol indicates that this product must not be disposed of together with domestic waste in compliance with the Directive (2012/19/EU) pertaining to waste electrical and electronic equipment (WEEE). This product must be disposed of at a designated collection point. This can occur, for example, by handing it in at an authorised collecting point for the recycling of waste electrical and electronic equipment. Improper handling of waste equipment may have negative consequences for the environment and human health due to potentially hazardous substances that are often contained in electrical and electronic equipment. By properly disposing of this product, you are also contributing to the effective use of natural resources. You can obtain information on collection points for waste equipment from your municipal administration, public waste disposal authority, an authorised body for the disposal of waste electrical and electronic equipment or your waste disposal company.

Einhell Germany AG · Wiesenweg 22 · D-94405 Landau/Isar**EU****Konformitätserklärung**

D erklärt folgende Konformität gemäß EU-Richtlinie und Normen für Artikel

GB explains the following conformity according to EU directives and norms for the following product

F déclare la conformité suivante selon la directive CE et les normes concernant l'article

I dichiara la seguente conformità secondo la direttiva UE e le norme per l'articolo

NL verklaart de volgende overeenstemming conform EU richtlijn en normen voor het product

E declara la siguiente conformidad a tenor de la directiva y normas de la UE para el artículo

P declara a seguinte conformidade, de acordo com as diretiva CE e normas para o artigo

DK attesterer følgende overensstemmelse i medfør af EU-direktiv samt standarder for artikel

S förklarar följande överensstämmelse enl. EU-direktiv och standarder för artikeln

FIN vakuuttaa, että tuote täyttää EU-direktiivin ja standardien vaatimukset

EE tõendab toote vastavust EL direktiivile ja standarditele

CZ vydává následující prohlášení o shodě podle směrnice EU a norem pro výrobek

SLO potrjuje sledečo skladnost s smernico EU in standardi za izdelek

SK vydáva nasledujúce prehlásenie o zhode podľa smernice EÚ a noriem pre výrobok

H a cikkekhez az EU-irányvonal és Normák szerint a következő konformitást jelenti ki

PL deklaruje zgodność wymienionego poniżej artykułu z następującymi normami na podstawie dyrektywy WE.

BG декларира съответното съответствие съгласно Директива на ЕС и норми за артикул

LV paskaidro šādu atbilstību ES direktīvai un standartiem

LT apibūdina šį atitikimą EU reikalavimams ir prekės normoms

RO declară următoarea conformitate conform directivei UE și normelor pentru articolul

GR δηλώνει την ακόλουθη συμμόρφωση σύμφωνα με την Οδηγία ΕΚ και τα πρότυπα για το προϊόν

HR potvrđuje sljedeću usklađenost prema smjernicama EU i normama za artikl

BIH potvrđuje sljedeću usklađenost prema smjernicama EU i normama za artikl

RS potvrđuje sledeću usklađenost prema smernicama EZ i normama za artikal

RUS следующим удостоверяется, что следующие продукты соответствуют директивам и нормам ЕС

UKR проголошує про зазначену нижче відповідність виробу директивам та стандартам ЄС на виріб

MK ja izjavuva slednata soobraznost согласно

EU-direktivata i normite za artikli

TR Ürünü ile ilgili AB direktifleri ve normları gereğince aşağıda açıklanan uygunluğu belirlir

N erklærer følgende samsvar i henhold til EU-direktivet og standarder for artikkel

IS Lýsir uppfyllingu EU-reglna og annarra staðla vöru

Electric Grass Trimmer GLR 450/5 (Gardenline) 2014/29/EU 2005/32/EC_2009/125/EC 2014/35/EU 2006/28/EC 2014/30/EU 2014/32/EU 2014/53/EC 2014/68/EU 90/396/EC_2009/142/EC 89/686/EC_96/58/EC 2011/65/EU 2006/42/EC Annex IV

Notified Body:
Notified Body No.:
Reg. No.:

 2000/14/EC_2005/88/EC Annex V Annex VI

Noise: measured L_{wa} = 95,76 dB (A); guaranteed L_{wa} = 96 dB (A)

P = 0,45 kW; LØ = 30 cm

Notified Body: SNCH (No. 0499)

 2012/46/EU

Emission No.:

**Standard references: EN 60335-1:2012+A11; EN 50636-2-91:2014; EN 62233:2008;
EN 55014-1:2006+A2; EN 61000-3-2:2014; EN 61000-3-3:2013; EN 55014-2:2015**

Landau/Isar, den 30.08.2017

Weichselgartner/General-Manager

Gao/Product-Management

First CE: 15

Art.-No.: 34.020.46 I.-No.: 11017

Subject to change without notice

Archive-File/Record: NAPR017404

Documents registrar: Daniel Laubmeier

Wiesenweg 22, D-94405 Landau/Isar



Great care has gone into the manufacture of this product and it should therefore provide you with years of good service when used properly. In the event of product failure within its intended use over the course of the first 3 years after date of purchase, we will remedy the problem as quickly as possible once it has been brought to our attention. In the unlikely event of such an occurrence, or if you require any information about the product, please contact us via our helpline support services, details of which are to be found both in this manual and on the product itself.



PRODUCED IN CHINA FOR:

ALDI STORES LTD. PO BOX 26, ATHERSTONE
WARWICKSHIRE, CV9 2SH.

ALDI STORES (IRELAND) LTD.
PO BOX 726, NAAS, CO. KILDARE.
Visit us at www.aldi.com

AFTER SALES SUPPORT

95708



0044 151 649 1500



0044 1890 946 244



info@einhell.co.uk

MODEL:
GLR 450/5

04/2018

3
YEAR
WARRANTY