



18V LITHIUM ION

CORDLESS UNIVERSAL SPREADER

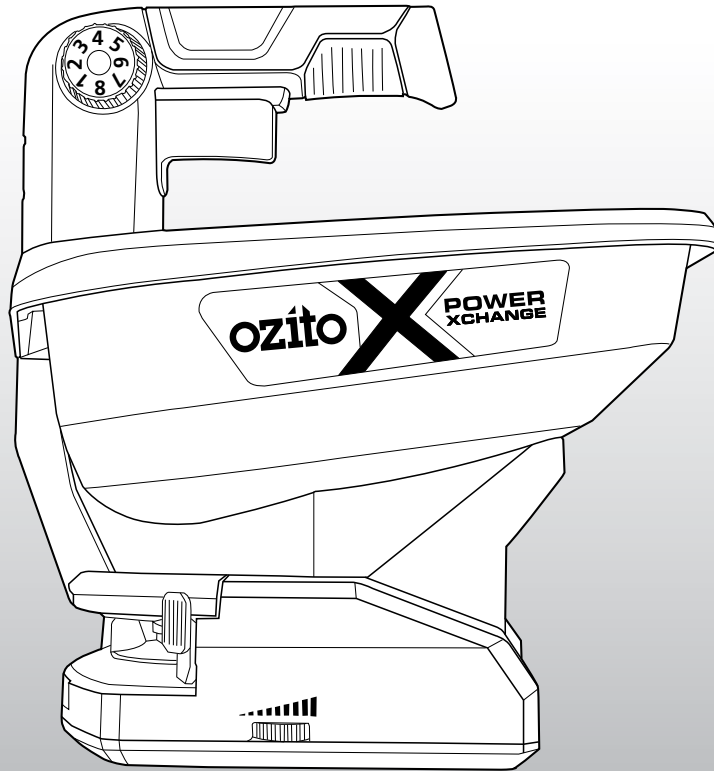
INSTRUCTION MANUAL

SPECIFICATIONS

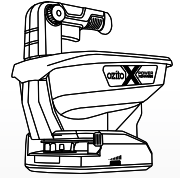
| | |
|--------------------|------------------|
| Voltage: | 18V |
| Hopper Volume: | 3.3 litres |
| Speed Control: | 1 - 6 |
| Flow Rate: | 1 - 8 |
| Spreading Width: | 1.7 - 5m |
| Max Area Coverage: | 15m ² |
| Weight: | 1.1kg |

ozito.com.au

5 YEAR
REPLACEMENT WARRANTY



STANDARD EQUIPMENT



Cordless Universal Spreader

PXCUS-018

WARRANTY

IN ORDER TO MAKE A CLAIM UNDER THIS WARRANTY YOU MUST RETURN THE PRODUCT TO YOUR NEAREST BUNNINGS WAREHOUSE WITH YOUR BUNNINGS REGISTER RECEIPT. PRIOR TO RETURNING YOUR PRODUCT FOR WARRANTY PLEASE TELEPHONE OUR CUSTOMER SERVICE HELPLINE:

Australia 1800 069 486
New Zealand 0508 069 486

TO ENSURE A SPEEDY RESPONSE PLEASE HAVE THE MODEL NUMBER AND DATE OF PURCHASE AVAILABLE. A CUSTOMER SERVICE REPRESENTATIVE WILL TAKE YOUR CALL AND ANSWER ANY QUESTIONS YOU MAY HAVE RELATING TO THE WARRANTY POLICY OR PROCEDURE.

WARNING

The following actions will result in the warranty being void.

- If the tool has been operated on a supply voltage other than that specified on the tool.
- If the tool shows signs of damage or defects caused by or resulting from abuse, accidents or alterations.
- Failure to perform maintenance as set out within the instruction manual.
- If the tool is disassembled or tampered with in any way
- Professional, industrial or high frequency use..

The benefits provided under this warranty are in addition to other rights and remedies which are available to you at law.

Our goods come with guarantees that cannot be excluded at law. You are entitled to a replacement or refund for a major failure and for compensation for any other reasonably foreseeable loss or damage. You are also entitled to have the goods repaired or replaced if the goods fail to be of acceptable quality and the failure does not amount to a major failure.

Generally you will be responsible for all costs associated with a claim under this warranty, however, where you have suffered any additional direct loss as a result of a defective product you may be able to claim such expenses by contacting our customer service helpline above.

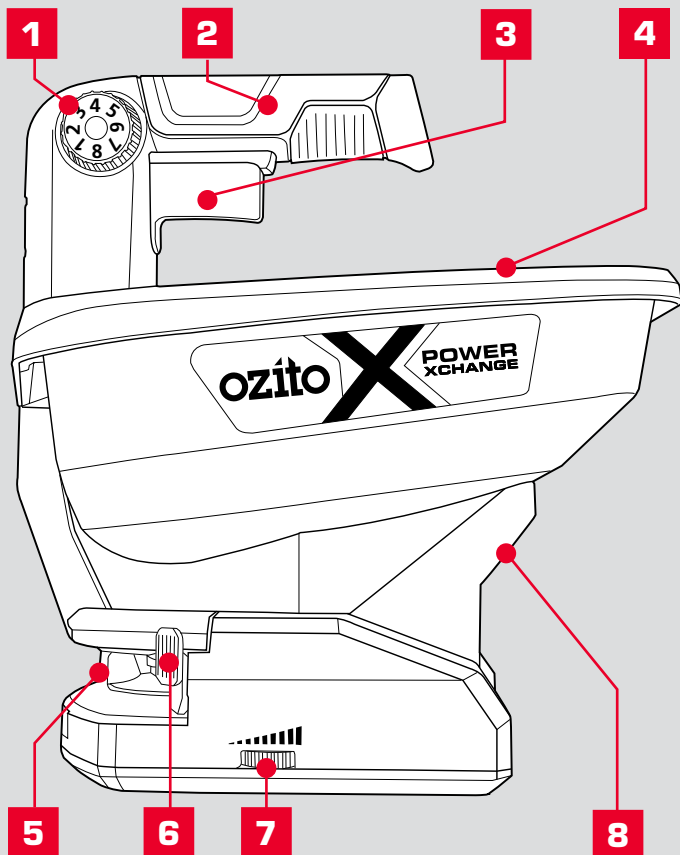
5 YEAR REPLACEMENT WARRANTY

Your Product is guaranteed for a period of 60 months from the original date of purchase and is intended for DIY (Do It Yourself) use only. If a product is defective it will be replaced in accordance with the terms of this warranty. **Lithium Ion batteries and chargers are covered by a 36 month warranty.** Warranty excludes consumable parts, for example: bearings.

KNOW YOUR PRODUCT

CORDLESS UNIVERSAL SPREADER

1. Material Flow Rate Adjustment Dial
2. Sure Grip Handle
3. On/Off Trigger
4. Hopper
5. Spreading Wheel
6. Spreading Width Adjustment
7. Electronic Speed Control
8. Battery Seating



BATTERY & CHARGER

This tool is compatible with all battery and chargers from the Ozito Power X Change Range.

ONLINE MANUAL

Scan this QR Code with your mobile device to take you to the online manual.



5 YEAR
REPLACEMENT WARRANTY

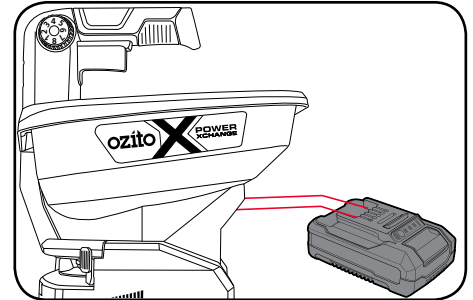
SETUP & PREPARATION

1. INSERTING & REMOVING THE BATTERY

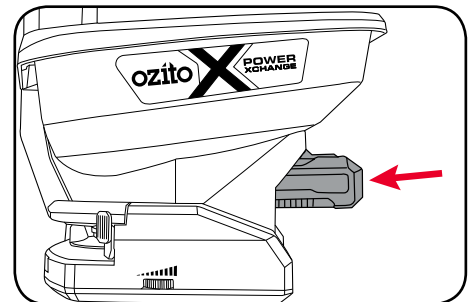
Installing a Battery

Note: Ensure battery seating is clear of any residue material before inserting the battery.

1. Align the ribs of the battery with the recess in the spreader.

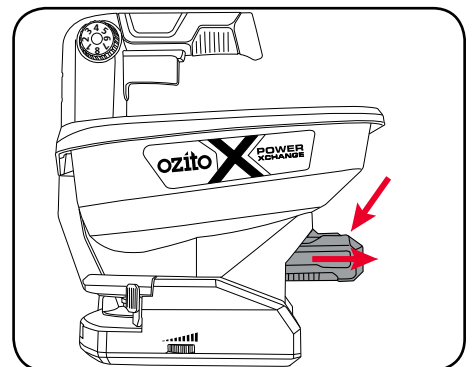


2. Slide the battery in so that it clicks into place.



Removing a Battery from the Spreader

1. Press and hold the battery release tab and remove the battery.



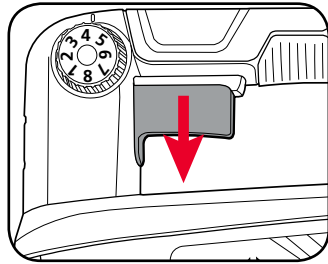
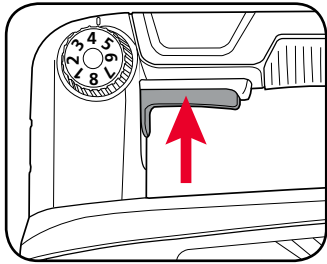
5 YEAR
REPLACEMENT WARRANTY

2. CONTROLS

Switching On and Off

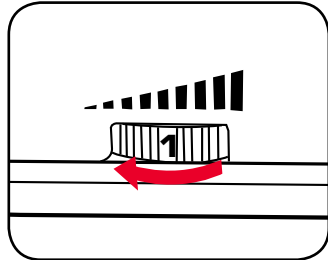
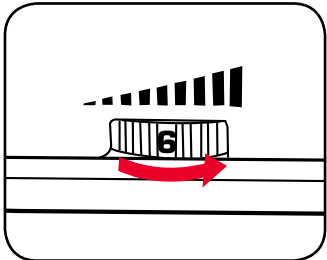
Note: The On/Off trigger activates both the spreader wheel and opening for the spreader material

1. Squeeze the On/Off trigger to start the spreader.
2. To stop the spreader release the On/Off trigger.



Electronic Speed Control

1. To achieve the greatest speed and distance the material is distributed, move the control to the highest setting, "6".
2. To reduce the speed and distance the material is distributed, move the control to a lower speed, or "1" the lowest setting.

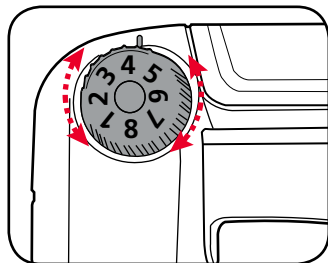


Material Flow Rate Adjustment Dial

Note: The dial controls the size of the opening for material flow rate.

1. Set a low flow rate for smaller quantities and increase the flow rate for larger quantities.

Setting "1" smallest (opening), setting "8" largest (opening).

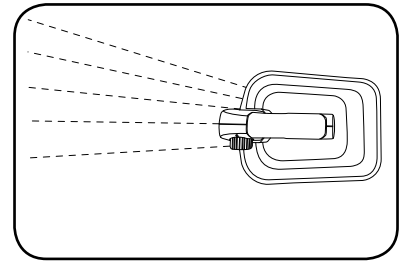
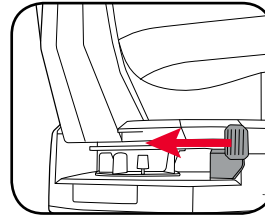


Note: Numerous variable factors (such as walking speed, working height, motor speed etc.) do not allow a specific recommendation of the spreading setting. Rather, the optimal setting must be determined by the user when starting with the work.

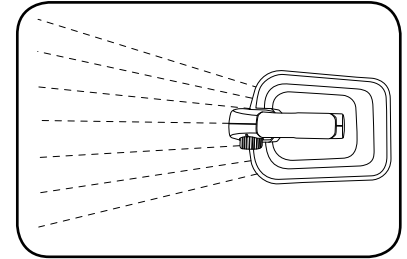
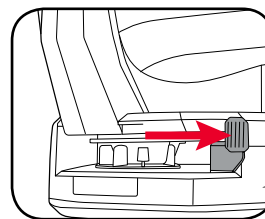
Spreading Width Adjustment

The material throw width can be adjusted for a small area (1.7m wide) up to a larger area (5m wide) for a wider area of coverage.

1. Adjust inwards for a smaller area of coverage.



2. Adjust outwards for a wider area of coverage.



OPERATION

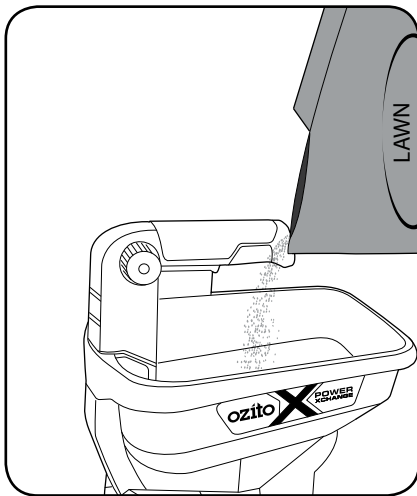
3. PREPARATION

WARNING! THE PRODUCT IS INTENDED FOR OUTDOOR USE IN A WELL-VENTILATED AREA.

Filling the Hopper

WARNING! BEFORE WORKING WITH SPREADER MATERIALS, READ THE INSTRUCTIONS ON THE FERTILIZER OR SEED PACKAGING.

1. Place the spreader on a flat level surface and fill spreading material into the hopper.



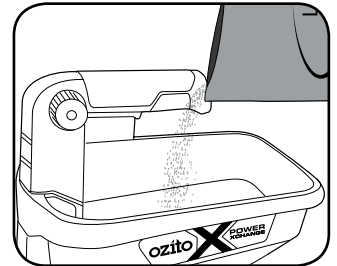
Note: The hopper capacity is 3.3 litres, do not overfill.

WARNING! WHEN USING HARD GRANULAR MATERIALS A BUILD UP OF RESIDUE AROUND THE SPREADING WHEEL MAY RESTRICT THE TOOLS PERFORMANCE. WE RECOMMEND THAT YOU CLEAN THE SPREADING WHEEL IMMEDIATELY AFTER YOU USE IT.

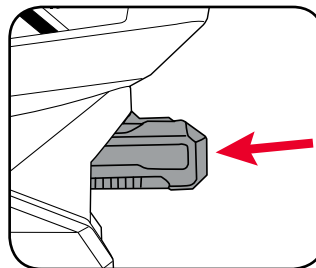
4. USING THE UNIVERSAL SPREADER

WARNING! ALWAYS WEAR EYE PROTECTION. USE PERSONAL PROTECTIVE EQUIPMENT SUCH AS DUST MASK, NON-SLIP SAFETY FOOTWEAR AND HEAVY DUTY ANTI-SLIP GLOVES.

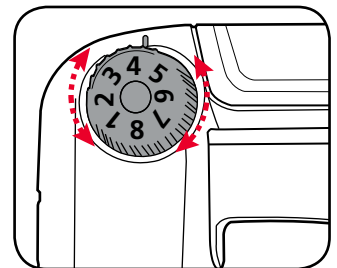
1. Place the spreader on a flat level surface and fill spreading material into the hopper.



2. Slide the battery in so that it clicks into place.

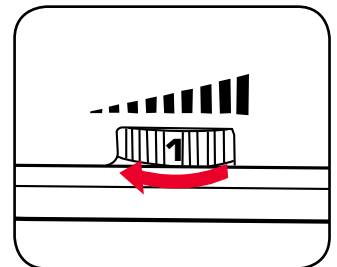


3. Set the setting recommended for the relevant spreading material using the flow rate adjustment dial.

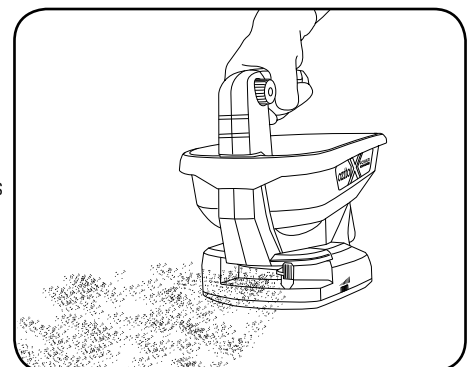


4. Set the required speed of material flow using the speed controller.

Initially we recommend using a low speed, or "1" the lowest setting.



5. Squeeze the On/Off trigger to start the spreader.



6. After carry out work on a small area, adjust the settings as necessary.

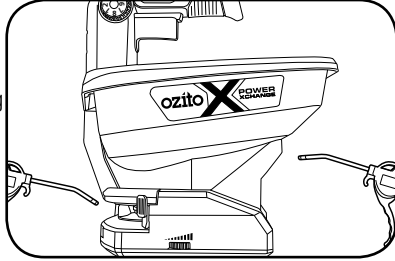
WARNING! BEWARE OF THROWN OR FLYING OBJECTS. KEEP ALL BYSTANDERS, ESPECIALLY CHILDREN AND PETS AWAY FROM THE OPERATING AREA.

MAINTENANCE



WARNING! ALWAYS ENSURE THE TOOL IS SWITCHED OFF AND THE BATTERY IS REMOVED PRIOR TO ANY MAINTENANCE.

- We recommend that you clean the equipment immediately after you use it.
- Wipe housing with a clean cloth and blow it down with compressed air at low pressure. Remove all foreign material from the product. Pay particular attention to battery seating and spreading wheel is clear of any residue.
- Ensure that no water can get into the interior of the equipment.
- Store it in a cool, dry, and well-ventilated place that is inaccessible to children.
- For transportation in a vehicle, secure the product against movement or falling to prevent injury to persons or damage to the product.



Note: Ozito Industries will not be responsible for any damage or injuries caused by the repair of the garden sprayer by an unauthorised person or by mishandling of the garden sprayer. This tool is designed for DIY use - use in commercial or industrial environments will void the warranty.



BATTERY AND CHARGER SAFETY WARNINGS

THIS MANUAL CONTAINS IMPORTANT SAFETY AND OPERATING INSTRUCTIONS FOR YOUR BATTERY CHARGER.

1. Before using the charger read all instructions and cautionary markings on the charger, battery pack and the product using the battery pack.
2. This charger is not intended for any uses other than charging rechargeable batteries. Any other use may result in risk of fire, electric shock or electrocution.
3. Do not place any object on top of the charger or place the charger on a soft surface that may result in excessive internal heat. Place the charger in a position away from any heat source.
4. To reduce risk of damage to the electric plug and cord, pull by the plug rather than the cord when disconnecting the charger.
5. Make sure the cord is located so that it will not be stepped on, tripped over, or otherwise subjected to damage or stress.
6. An extension cord should not be used unless absolutely necessary. Use of an improper extension cord could result in the risk of fire, electric shock or electrocution.
7. Do not operate the charger if it has received a sharp blow, been dropped or otherwise damaged in any way. Have it checked by an electrician or power tool repairer.
8. Do not disassemble charger. Take it to an electrician or power tool repairer when service or repair is required. Incorrect reassembly may result in a risk of electric shock, electrocution or fire.
9. To reduce risk of electric shock, unplug the charger from the outlet before attempting any cleaning. Removing the battery pack will not reduce this risk.
10. Never attempt to connect 2 chargers together.
11. DO NOT store or use the tool and battery pack in locations where the temperature may reach or exceed 40°C (such as inside sheds or metal buildings in summer).
12. The charger is designed to operate on standard household electrical power (240 volts). Do not attempt to use it on any other voltage!
13. The battery pack is not fully charged out of the carton. First read the safety instructions and then follow the charging notes and procedures.
14. The longest life and best performance can be obtained if the battery pack is charged when the air temperature is between 18 - 24°C. Do not charge the battery pack in an air temperature below 10°C or above 40°C. This is important and will prevent damage to the battery pack.
15. Do not incinerate the battery pack even if it is seriously damaged or is completely worn out. The battery can explode in a fire.
16. Never attempt to open the battery pack for any reason. If the plastic housing of the battery pack breaks or cracks, immediately discontinue use and do not recharge.
17. During charging, the battery must be placed in a well ventilated area.

TROUBLESHOOTING

| Problem | Cause | Remedy |
|--------------------------------------------|--------------------------------|---------------------------------------------------------------------------------------------------------------------|
| Sprayer is not starting | Battery is low in charge. | Charge battery |
| | Battery not inserted properly. | Insert battery pack correctly. |
| Spreader is not operating at full capacity | Material blocked. | Empty hopper and set to a low speed, run for a few seconds to remove any residue material. Resume normal operation. |
| Motor stops while in operation | Battery has no power. | Charge battery. |

Battery protection system

The tool is equipped with the battery protection system, which helps to ensure a long service life.

The output power automatically cuts off during operation when the tool and/or battery are placed under the following situations:

- **When the tool is overloaded:**
If this occurs, release the trigger switch and remove causes of overload, then pull the switch trigger again to restart.
- **When the remaining battery capacity becomes low:**
Recharge the battery pack.

Note: The battery protection system does not in any way damage the tool.
Note: The indicated capacity may be lower than the actual level during use or immediately after using the tool.

SPARE PARTS

Spare parts can be ordered from the Special Orders Desk at your local Bunnings Warehouse.

For further information, or any parts not listed here, visit www.ozito.com.au or contact Ozito Customer Service:

Australia 1800 069 486

New Zealand 0508 069 486

E-mail: enquiries@ozito.com.au

DESCRIPTION OF SYMBOLS

| | | | |
|---------------|-------------------------------------------------------------------------|-------------------------------------------------------------------------------------------------|-----------------------|
| V | Volts | Hz | Hertz |
| ~ | Alternating current | W | Watts |
| dc/--- | Direct current | Ø | Diameter |
| mA | Milliamperes | n_o | No load speed |
| /min | Revolutions or reciprocation per minute | | Warning |
| | Read instruction manual | | Wear eye protection. |
| | Regulator compliance mark | | Wear a breathing mask |
| | Wear non-slip, heavy duty gloves | | |
| | | Keep bystanders away. Do not operate whilst people especially children or pets are in the area. | |
| | Do not use in the rain or leave garden spreader outdoors while raining. | | |



ELECTRICAL SAFETY



WARNING! When using mains-powered tools, basic safety precautions, including the following, should always be followed to reduce risk of fire, electric shock, personal injury and material damage.

Read the whole manual carefully and make sure you know how to switch the tool off in an emergency, before operating the tool. Save these instructions and other documents supplied with this tool for future reference.

The charger has been designed for 230V and 240V only. Always check that the power supply corresponds to the voltage on the rating plate.

Note: The supply of 230V and 240V on Ozito tools are interchangeable for Australia and New Zealand.



This tool's charger is double insulated and therefore no earth wire is required.

If the supply cord is damaged, it must be replaced by an electrician or a power tool repairer in order to avoid a hazard.

Note: Double insulation does not take the place of normal safety precautions when operating this tool. The insulation system is for added protection against injury resulting from a possible electrical insulation failure within the tool.

The power supply for this product's charger should be protected by a residual current device (rated at 30mA or less). A residual current device reduces the risk of electric shock.



GENERAL POWER TOOL SAFETY WARNINGS



WARNING! Read all safety warnings and all instructions. Failure to follow the warnings and instructions may result in electric shock, fire and/or serious injury.

Save all warnings and instructions for future reference. The term "power tool" in the warnings refers to your mains-operated (corded) power tool or battery-operated (cordless) power tool.

1. Work area safety

- a. **Keep work area clean and well lit.** Cluttered or dark areas invite accidents.
- b. **Do not operate power tools in explosive atmospheres, such as in the presence of flammable liquids, gases or dust.** Power tools create sparks which may ignite the dust or fumes.
- c. **Keep children and bystanders away while operating a power tool.** Distractions can cause you to lose control.

2. Electrical safety

- a. **Power tool plugs must match the outlet. Never modify the plug in any way. Do not use any adapter plugs with earthed (grounded) power tools.** Unmodified plugs and matching outlets will reduce risk of electric shock.
- b. **Avoid body contact with earthed or grounded surfaces, such as pipes, radiators, ranges and refrigerators.** There is an increased risk of electric shock if your body is earthed or grounded.
- c. **Do not expose power tools to rain or wet conditions.** Water entering a power tool will increase the risk of electric shock.
- d. **Do not abuse the cord. Never use the cord for carrying, pulling or unplugging the power tool. Keep cord away from heat, oil, sharp edges or moving parts.** Damaged or entangled cords increase the risk of electric shock.
- e. **When operating a power tool outdoors, use an extension cord suitable for outdoor use.** Use of a cord suitable for outdoor use reduces the risk of electric shock.
- f. **If operating a power tool in a damp location is unavoidable, use a residual current device (RCD) protected supply.** Use of an RCD reduces the risk of electric shock.

3. Personal safety

- a. **Stay alert, watch what you are doing and use common sense when operating a power tool. Do not use a power tool while you are tired or under the influence of drugs, alcohol or medication.** A moment of inattention while operating power tools may result in serious personal injury.
- b. **Use personal protective equipment. Always wear eye protection.** Protective equipment such as dust mask, non-skid safety shoes, hard hat, or hearing protection used for appropriate conditions will reduce personal injuries.
- c. **Prevent unintentional starting. Ensure the switch is in the off-position before connecting to power source and/or battery pack, picking up or carrying the tool.** Carrying power tools with your finger on the switch or energising power tools that have the switch on invites accidents.
- d. **Remove any adjusting key or wrench before turning the power tool on.** A wrench or a key left attached to a rotating part of the power tool may result in personal injury.
- e. **Do not overreach. Keep proper footing and balance at all times.** This enables better control of the power tool in unexpected situations.

- f. **Dress properly. Do not wear loose clothing or jewellery. Keep your hair, clothing and gloves away from moving parts.** Loose clothes, jewellery or long hair can be caught in moving parts.

- g. **If devices are provided for the connection of dust extraction and collection facilities, ensure these are connected and properly used.** Use of dust collection can reduce dust-related hazards.

4. Power tool use and care

- a. **Do not force the power tool. Use the correct power tool for your application.** The correct power tool will do the job better and safer at the rate for which it was designed.
- b. **Do not use the power tool if the switch does not turn it on and off.** Any power tool that cannot be controlled with the switch is dangerous and must be repaired.
- c. **Disconnect the plug from the power source and/or the battery pack from the power tool before making any adjustments, changing accessories, or storing power tools.** Such preventive safety measures reduce the risk of starting the power tool accidentally.
- d. **Store idle power tools out of the reach of children and do not allow persons unfamiliar with the power tool or these instructions to operate the power tool.** Power tools are dangerous in the hands of untrained users.
- e. **Maintain power tools. Check for misalignment or binding of moving parts, breakage of parts and any other condition that may affect the power tool's operation. If damaged, have the power tool repaired before use.** Many accidents are caused by poorly maintained power tools.
- f. **Keep cutting tools sharp and clean.** Properly maintained cutting tools with sharp cutting edges are less likely to bind and are easier to control.
- g. **Use the power tool, accessories and tool bits etc. in accordance with these instructions, taking into account the working conditions and the work to be performed.** Use of the power tool for operations different from those intended could result in a hazardous situation.

5. Battery tool use and care

- a. **Recharge only with the charger specified by the manufacturer.** A charger that is suitable for one type of battery pack may create a risk of fire when used with another battery pack.
- b. **Use power tools only with specifically designated battery packs.** Use of any other battery packs may create a risk of injury and fire.
- c. **When battery pack is not in use, keep it away from other metal objects, like paper clips, coins, keys, nails, screws or other small metal objects, that can make a connection from one terminal to another.** Shorting the battery terminals together may cause burns or a fire.
- d. **Under abusive conditions, liquid may be ejected from the battery; avoid contact. If contact accidentally occurs, flush with water. If liquid contacts eyes, additionally seek medical help.** Liquid ejected from the battery may cause irritation or burns.

6. Service

- a. **Have your power tool serviced by a qualified repair person using only identical replacement parts.** This will ensure that the safety of the power tool is maintained.



GARDEN SPREADER SAFETY WARNINGS

- Before working with spreader materials, read the instructions on the fertilizer or seed packaging.
- The spreader material compartment must not be used for storing unnecessary spreader materials.
- Before filling, make sure the spreader material compartment is clean.
- Wear eye protection and face filter mask while working with fertilizers and dusty products to reduce the risk of injury associated with the inhalation of dust.
- Do not expose the product to rain or wet conditions.
- Operate the product in a recommended position and only on a firm and level surface.
- The product is not for commercial or industrial use, and must not be used for distributing chemicals, pesticides, herbicides, liquids, and powder.

- Never point the product to yourself or other persons.
- Keep hands away from the spreading wheel at all times.
- This appliance is not intended for use by young children or infirm persons unless they have been adequately supervised by a responsible person to ensure that they can use the appliance safely.
- Store the battery separately from the universal spreader. Keep away from corrosive agents such as garden chemicals and de-icing salts.
- Do not store outdoors.

CARING FOR THE ENVIRONMENT



Power tools that are no longer usable should not be disposed of with household waste but in an environmentally friendly way. Please recycle where facilities exist. Check with your local council authority for recycling advice.



Recycling packaging reduces the need for landfill and raw materials. Reuse of recycled material decreases pollution in the environment. Please recycle packaging where facilities exist. Check with your local council authority for recycling advice.