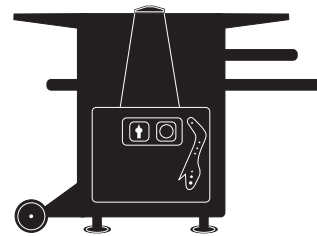


Original operating instructions
Planer Thicknesser

Einhell[®]

1



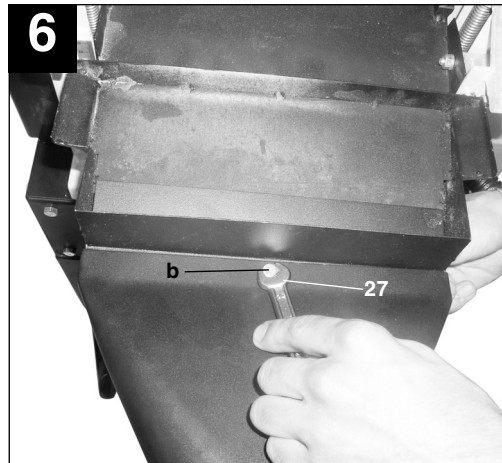
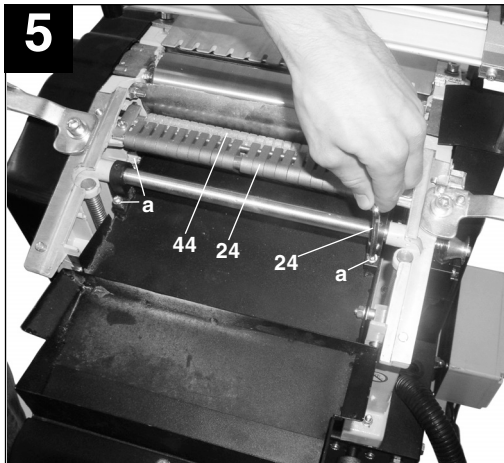
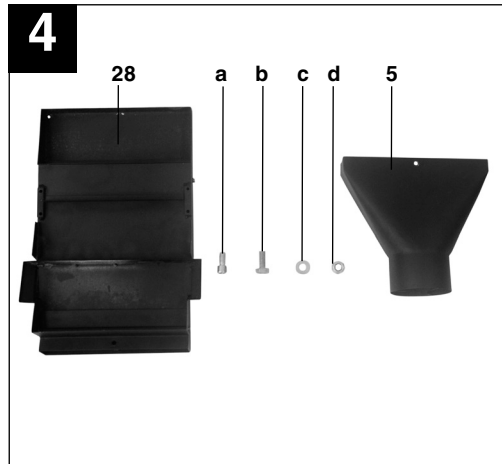
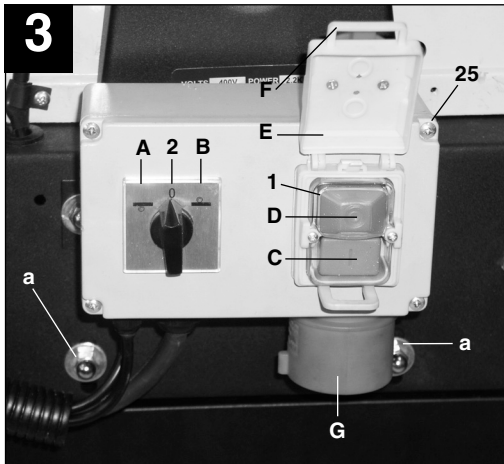
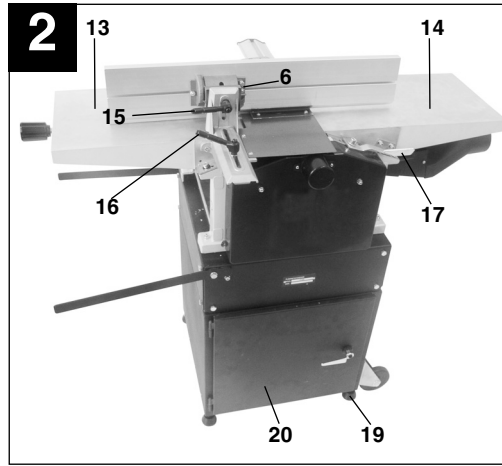
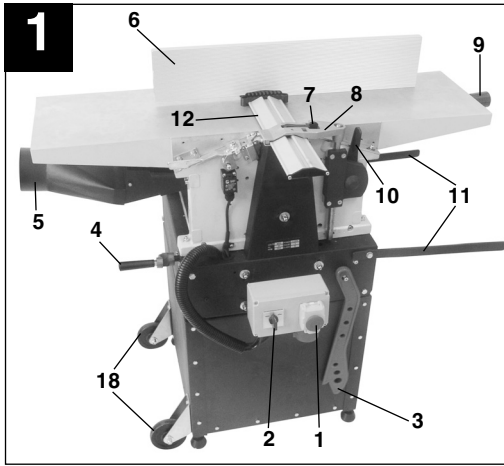
Art.-Nr.: 41.990.02

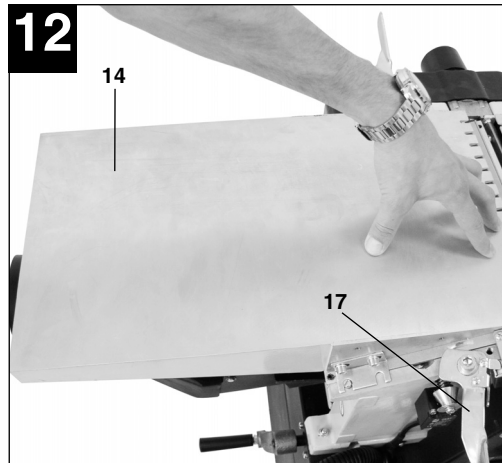
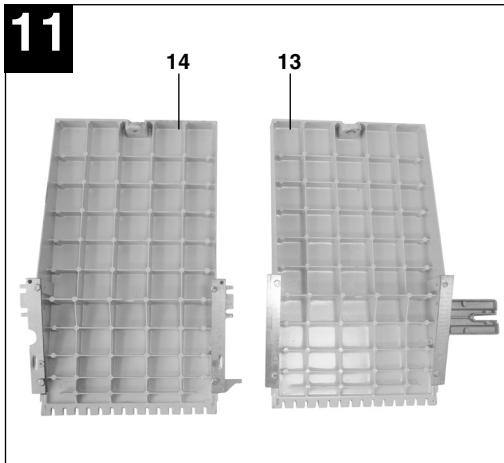
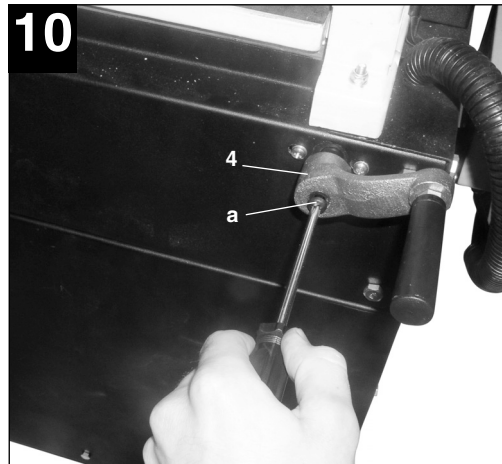
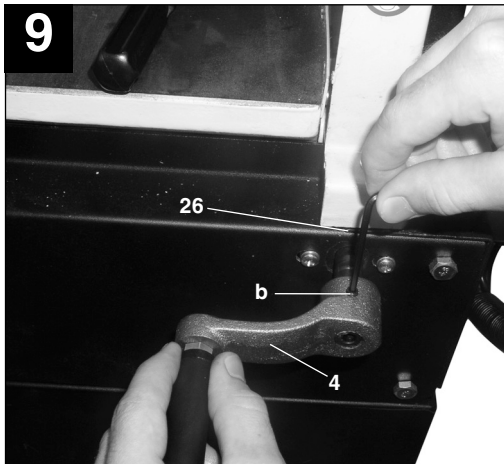
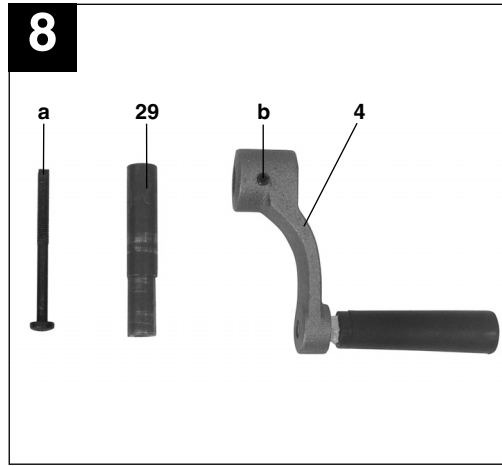
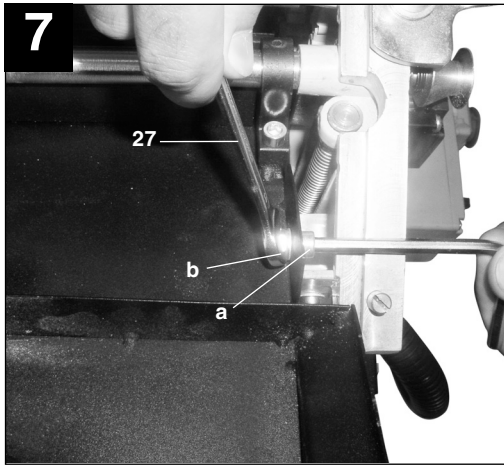
I.-Nr.: 11012

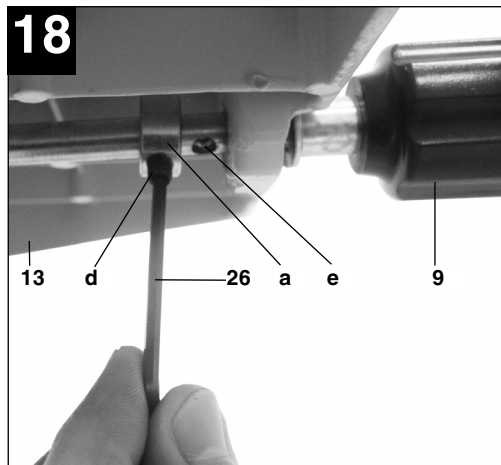
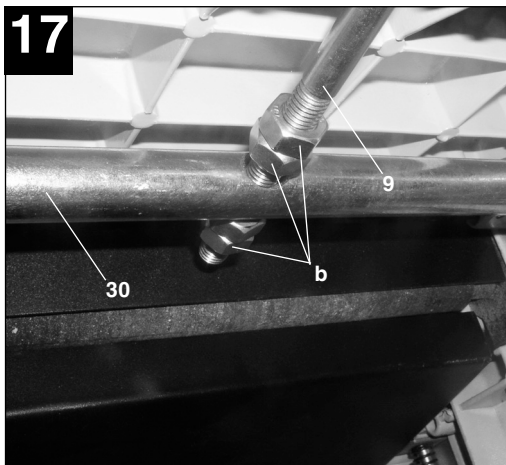
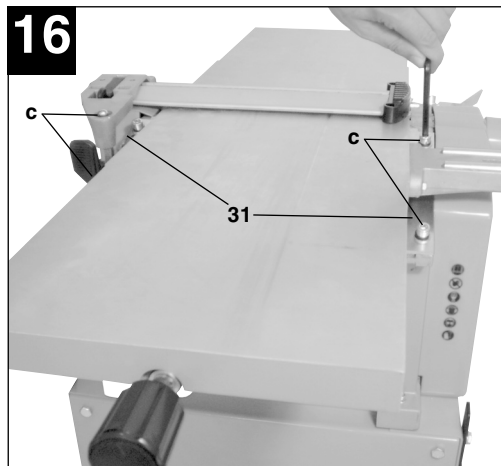
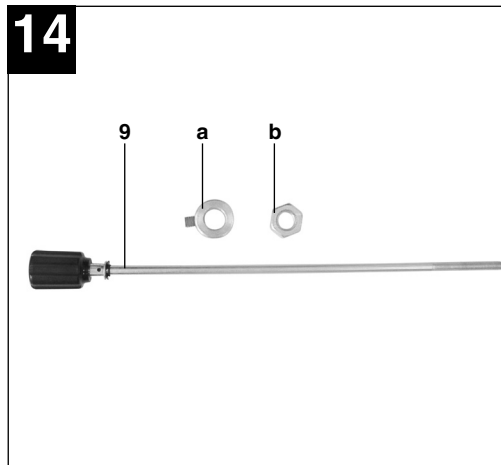
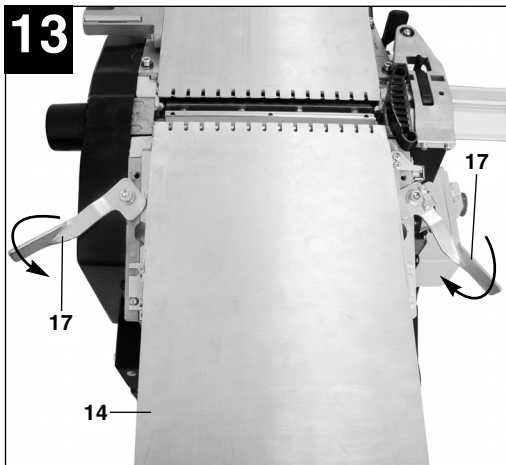
RT-SP 260

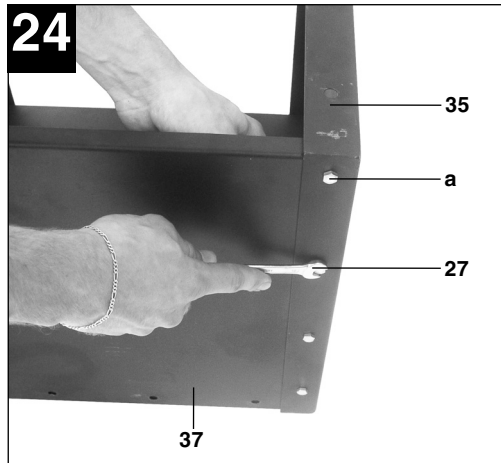
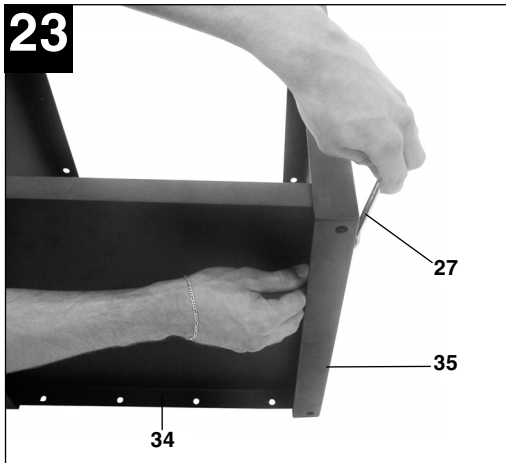
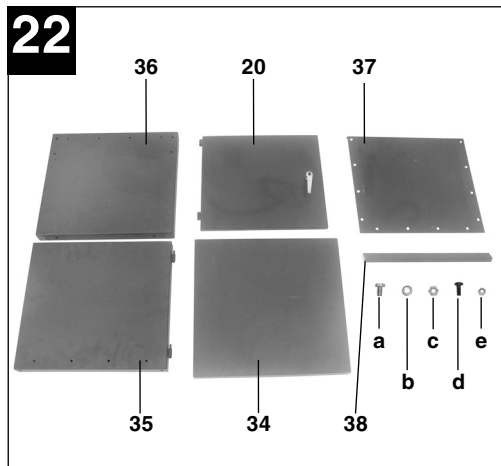
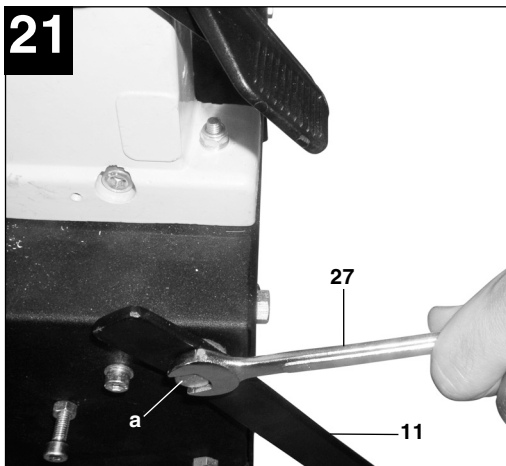
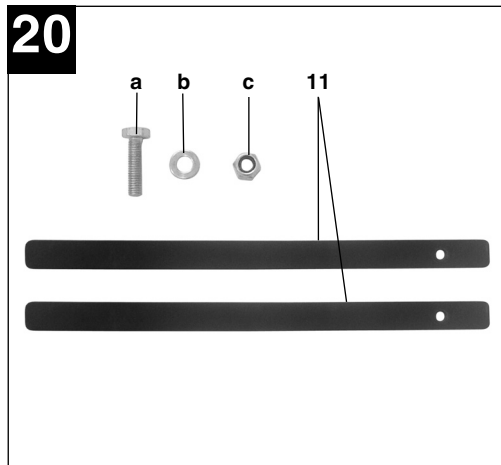
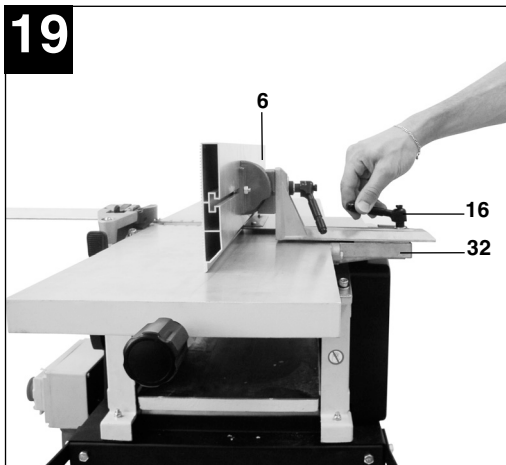


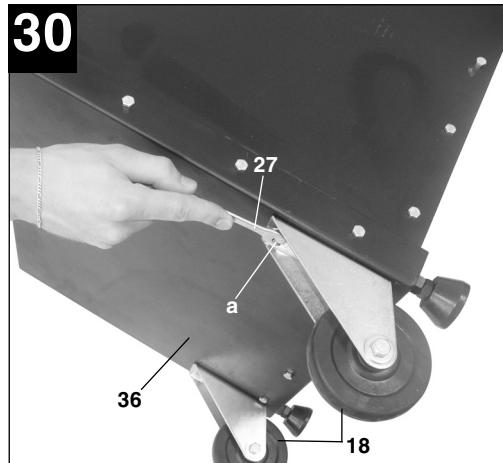
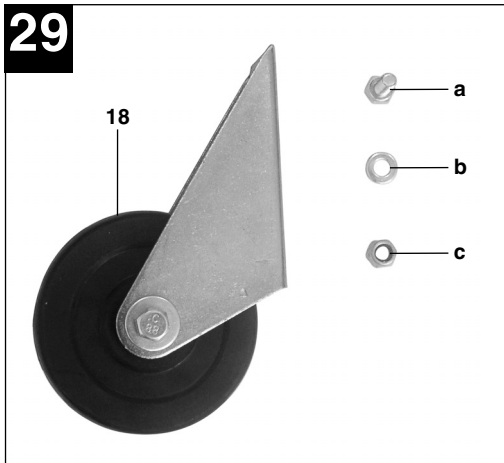
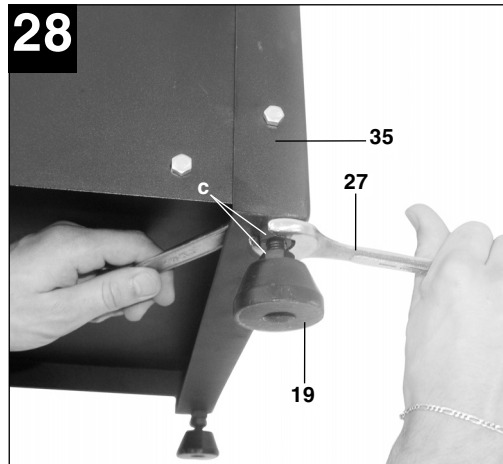
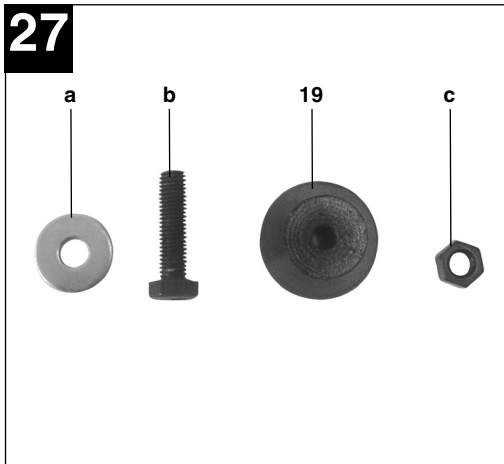
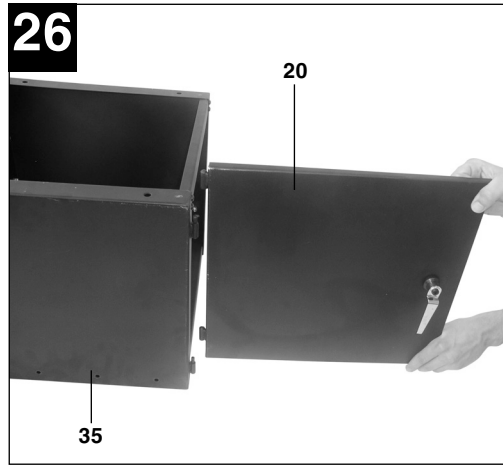
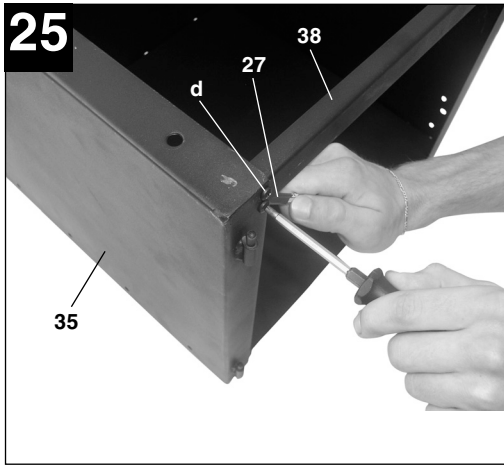
Ⓞ Read and follow the operating instructions and safety information before using for the first time.



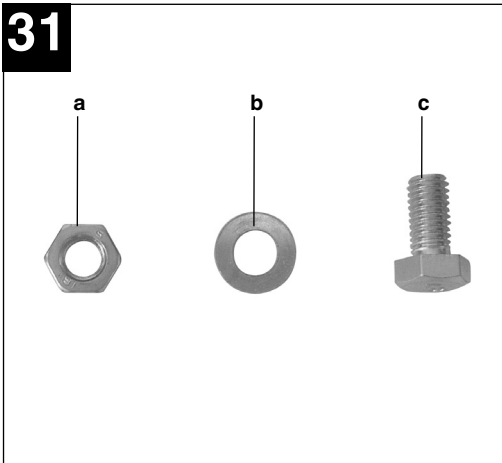




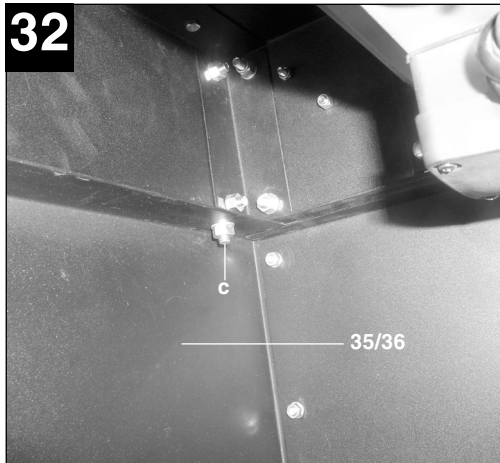




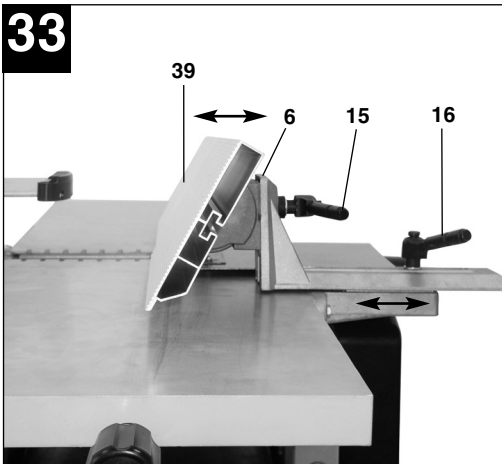
31



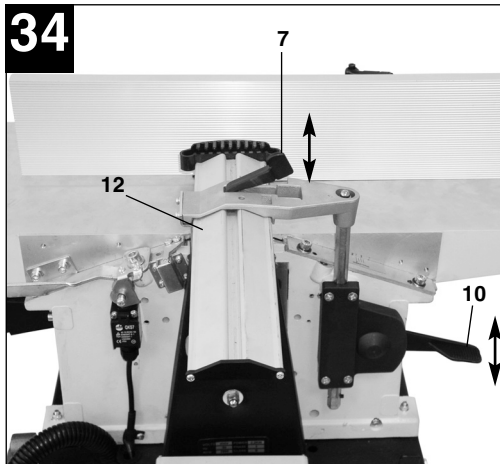
32



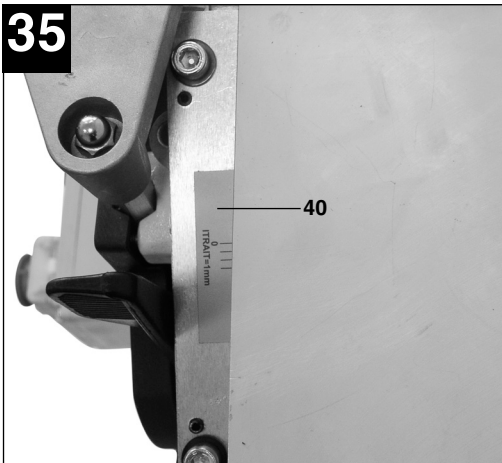
33



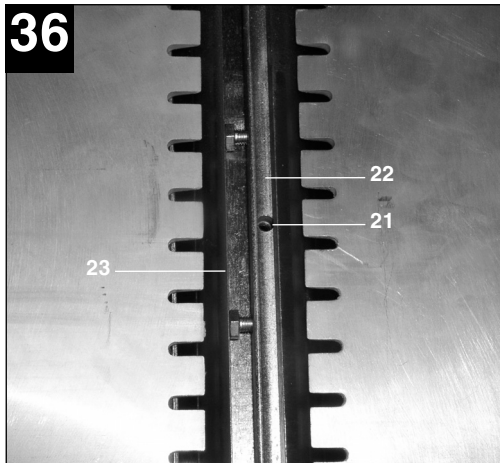
34

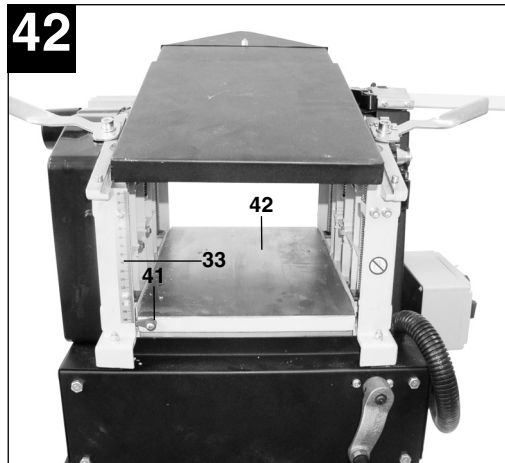
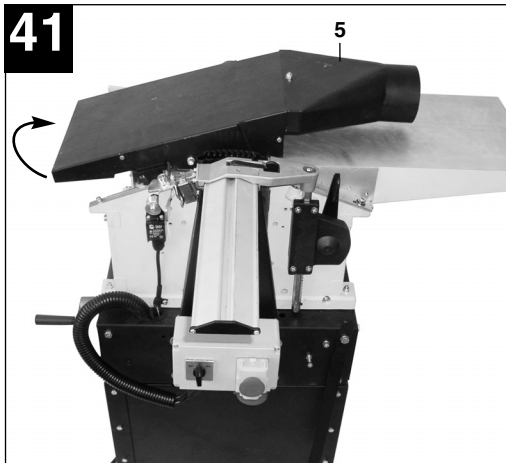
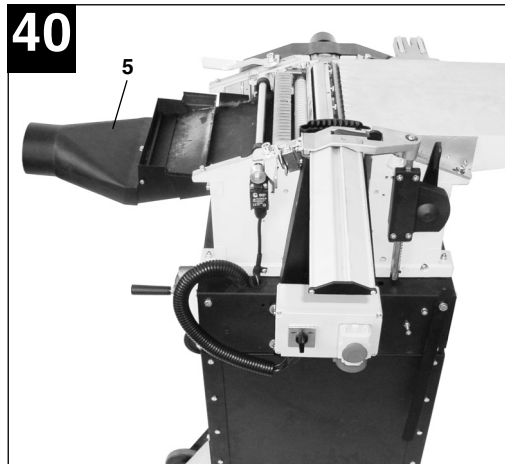
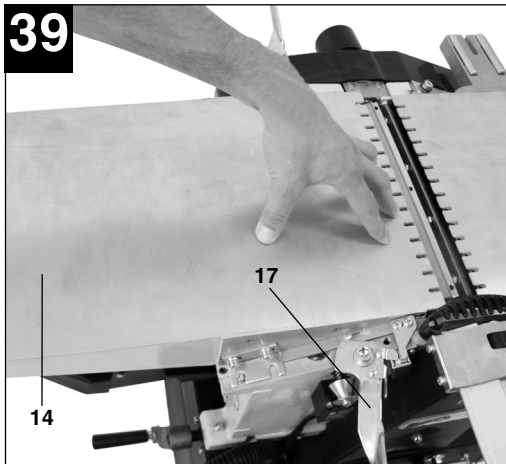
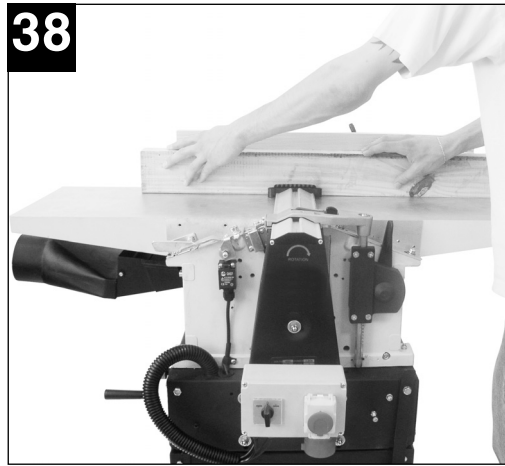
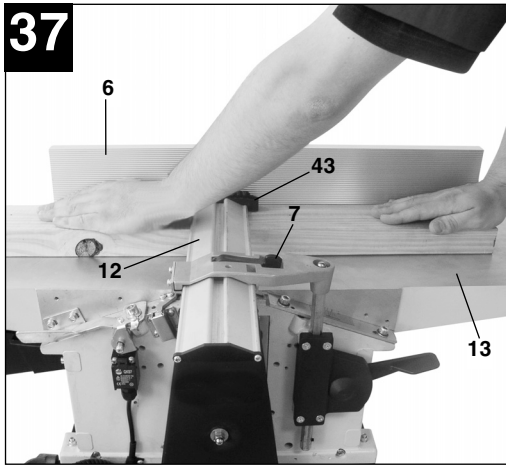


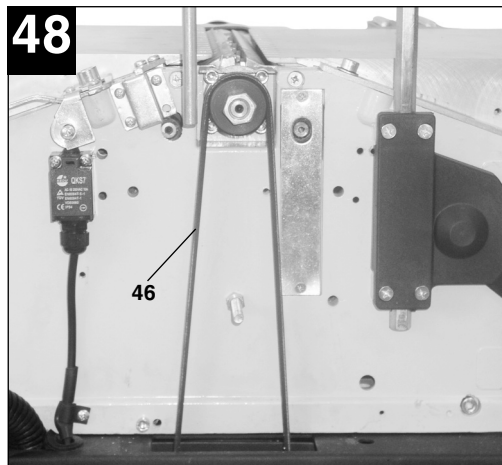
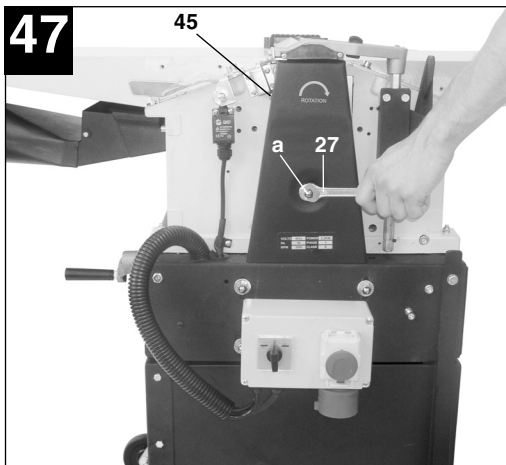
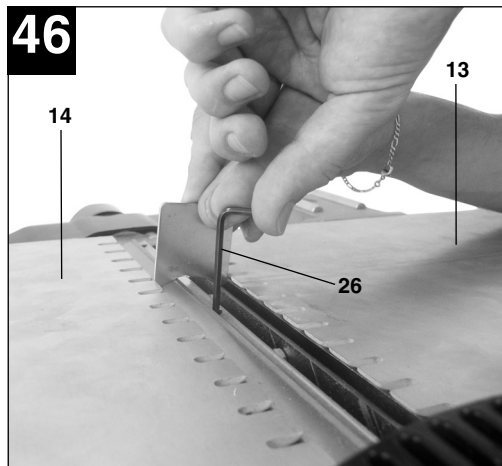
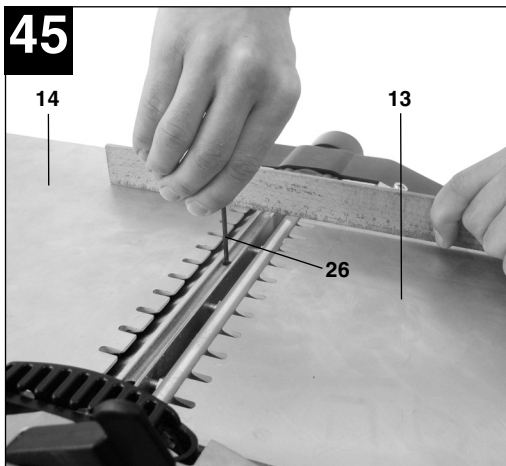
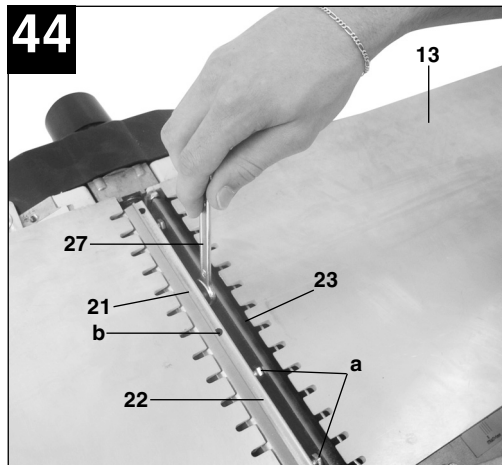
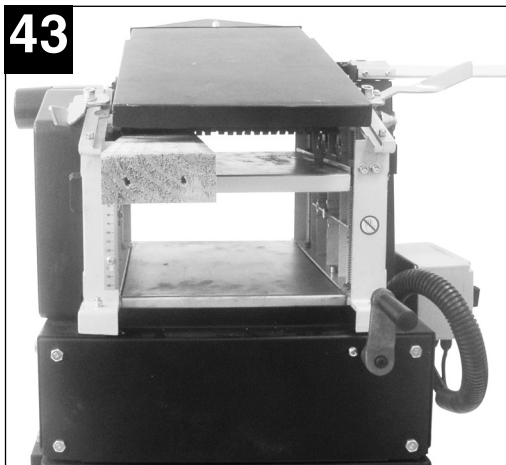
35

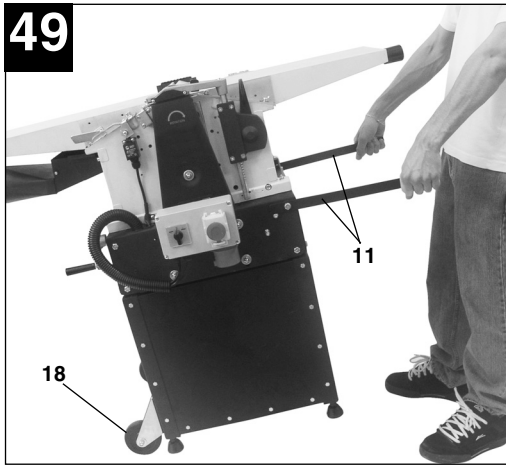


36









GB**⚠ Important!**

When using the equipment, a few safety precautions must be observed to avoid injuries and damage. Please read the complete operating instructions and safety regulations with due care. Keep this manual in a safe place, so that the information is available at all times. If you give the equipment to any other person, hand over these operating instructions and safety regulations as well. We cannot accept any liability for damage or accidents which arise due to a failure to follow these instructions and the safety instructions.

1. Layout

- 1 On/Off switch
- 2 Selector switch for planing/thicknessing
- 3 Push stick
- 4 Hand crank
- 5 Sawdust extractor
- 6 Parallel stop
- 7 Clamping lever
- 8 Mounting for planing knife cover
- 9 Setting knob for the chip depth
- 10 Lever selector
- 11 Transport handles
- 12 Planing knife cover
- 13 Infeed table
- 14 Planing table
- 15 Ratchet lever
- 16 Ratchet lever
- 17 Locking lever for table
- 18 Transportation wheels
- 19 Feet
- 20 Door
- 21 Knife
- 22 Latch
- 23 Knife block
- 24 Anti-kick claws
- 25 Switch/plug unit
- 26 Allen key
- 27 Wrench
- 28 Sawdust extractor hood
- 29 Pin
- 30 Spacer roller
- 31 Table guide
- 32 Parallel stop guide
- 33 Scale
- 34 Base panels
- 35 Side panels
- 36 Side panels
- 37 Back panels
- 38 Cross strut
- 39 Stop rule
- 40 Scale

- 41 Pointer
- 42 Thicknessing table
- 43 Plastic spring
- 44 Feeding roller
- 45 Belt cover
- 46 Belt

2. Items supplied

- Plane
- Base frame
- Assembly tool
- Push stick

3. Safety Instructions

Please refer to the booklet included in delivery for the safety instructions.

4. Important information

- Always switch off the On/Off switch (1) and pull the mains plug out of the socket before carrying out any maintenance work or having the machine serviced. (Fig. 1)
- Check at regular intervals that the knife (21) and latch (22) are firmly attached in the knife block (23). (Fig. 36)
- The knives (21) must not project more than a maximum of 1.1 mm out of the knife block (23). (Fig. 45)
- Never remove the safety covers on the machine except for servicing and repair work.
- The safety covers must be intact at all times. Each time you use the machine, first fasten and secure the safety covers at the points provided.
- Connect a dust extractor to the sawdust extractor (5) if you use the machine in an enclosed area. (Fig. 1)
- **Please note:** The machine must be safely earthed. The yellow/green connector wire is the protective conductor.
- Make sure that the anti-kick claws (24) work correctly. (Fig. 5)
- Always wear eye protection.
- Never cut concavities, tenons or shapes.

This machine will provide the performance described in these operating instructions if it is correctly assembled, used, maintained and repaired. The machine must be inspected at regular intervals. Never use any defective parts,

including power cables. Damaged, missing, worn and deformed parts must be replaced immediately. Only qualified personnel are permitted to carry out repairs or replace parts. No modifications may be made to the machine or any machine parts if these would result in the machine differing from the standard specifications.

5. Intended use

The surfacing and thickening plane is designed for the surfacing and thickening of all types of whole pieces of square, rectangular or chamfered converted timber.

The machine is to be used only for its prescribed purpose.

Even when the machine is used as prescribed it is still impossible to eliminate certain residual risk factors. There is a risk of the following injuries in connection with the required operation of the machine.

- Fingers or hands coming into contact with the knife block in areas which are out of view.
- Workpieces may kick back if the machine is used incorrectly.
- Damage to hearing and eye injuries plus injuries to fingers and hands if the required protective equipment is not used.
- Harmful emissions when used in enclosed areas without a suitable extractor system.

Please note that our equipment has not been designed for use in commercial, trade or industrial applications. Our warranty will be voided if the machine is used in commercial, trade or industrial businesses or for equivalent purposes.

6. Noise emission values

Sound and vibration values were measured in accordance with EN 61029.

RT-SP 260	Operation	Idle speed
Sound pressure level L_{pA}	94.8 dB(A)	80.7 dB(A)
K_{pA} uncertainty		3 dB
Sound power level L_{WA}	104.8 dB(A)	91.1 dB(A)
K_{WA} uncertainty		3 dB

The quoted values are emission values and not necessarily reliable workplace values. Although there is a correlation between emission and

immission levels it is impossible to draw any certain conclusions as to the need for additional precautions. Factors with a potential influence on the actual immission level at the workplace include the duration of impact, the type of room, and other sources of noise etc., e.g. the number of machines and other neighboring operations. Reliable workplace values may also vary from country to country. With this information the user should at least be able to make a better assessment of the dangers and risks involved.

Wear ear-muffs.

The impact of noise can cause damage to hearing.

Keep the noise emissions and vibrations to a minimum.

- Only use appliances which are in perfect working order.
- Service and clean the appliance regularly.
- Adapt your working style to suit the appliance.
- Do not overload the appliance.
- Have the appliance serviced whenever necessary.
- Switch the appliance off when it is not in use.

Residual risks

Even if you use this electric power tool in accordance with instructions, certain residual risks cannot be ruled out. The following hazards may arise in connection with the equipment's construction and layout:

1. Lung damage if no suitable protective dust mask is used.
2. Damage to hearing if no suitable ear protection is used.

GB

7. Technical data of the RT-SP 260

AC motor:	230 V ~ 50 Hz
Power P:	2000 W S1
Protection type:	IP40
Vibration a_w :	12 m/s ²
Max. workpiece width	260 mm
Max. workpiece height at thickness opening:	160 mm
Infeed table:	500 x 282 mm
Planing table:	500 x 282 mm
Thickening table:	400 x 260 mm
Thickening feeding speed:	5 m/min
Idle speed of motor n_b :	2800 rpm
Idle speed of planing knives n_p :	6500 rpm
Max. planing cross-cutting depth:	3 mm
Max. thickening cross-cutting depth:	3 mm
Max. angle of the parallel stop:	45°
Sawdust extractor:	Ø 100 mm
Weight:	92 kg

8. Before starting the machine

- Unpack the surfacing and thickening plane and examine it for any transit damage.
- The machine has to be set up and aligned where it can stand securely.
- All covers and safety devices have to be properly fitted before the machine is switched on.
- It must be possible for the planing knife to run freely.
- When working with wood that has been processed before, watch out for foreign bodies such as nails or screws, etc.
- Before you press the ON/OFF switch (1), make sure that the planing knife is fitted correctly and

that the machine's moving parts run smoothly.

- Check that the voltage on the rating plate is the same as your supply voltage before you connect the machine to the power supply.

9. Assembly

9.1 Fitting the switch/plug unit (Fig. 3)

Fasten the switch/plug unit (25) to the front of the machine with the two wing nuts (a). You can use both the upper or the lower two wing nuts (a) to do so.

9.2 Assembling and fitting the sawdust extractor (Fig. 4-7)

Assemble and fit the sawdust extractor (5) and the sawdust extractor hood (28) as shown in

Fig. 4-7. Use the following to do so:

- 5 Allen screws M5 x 12 (a)
- 2 Hex screws M5 x 12 (b)
- 4 washers (c)
- 1 self-locking nut M5 (d) for fastening the sawdust extractor (5)

9.3 Fitting the hand crank (Fig. 8-10)

Fasten the hand crank (4) to the pin (29) with the grub screw (b). Then proceed as shown in Fig. 10. Use the following to do so:

- 1 recessed head screw M5 x 75 (a)

9.4 Fitting the planing table (Fig. 11-13)

Fit the planing table (14) as shown in Fig. 12 and 13.

9.5 Fitting the infeed table (Fig. 15-16)

Undo the Allen screws (c) on the two table guides (31) and remove them (Fig. 15). If necessary, lever out the table guides (31) upwards using a screwdriver. Place the infeed table (13) on the machine and secure it with the table guides (31) and the four Allen screws (c) (Figure 16). Then push the threaded rod of the setting knob for the chip depth (9) into the infeed table (13). In so doing, turn and thread the threaded rod of the setting knob for the chip depth (9) into the female thread of the spacer roller and fasten with four size M10 (b) nuts. The greater the distance between the two pairs of locked nuts, the greater the adjustable chip depth range. There is a red mark on the threaded rod which indicates the specified position for the two nuts (b) at the end of the threaded rod. Finally, fasten the setting ring (a) as shown in Fig. 19. To do so, use the notch (e) provided for the grub screw (d) which is located in the threaded rod of the setting knob for the chip depth (9).

9.6 Fitting the parallel stop (Fig. 19)

Slide the parallel stop (6) into the parallel stop guide (32) and fasten it with the ratchet lever (16).

9.7 Fitting the transport handles (Fig. 20-21)

Fasten the transport handles (11) as shown in Fig. 21. Use the following to do so:

- 2 Hex screws M8 x 30 (a)
- 4 washers (b)
- 2 self-locking nuts M8 (c)

9.8 Assembling the base frame (Fig. 22-32)

Assemble the base frame as shown in Fig. 23-27. Start with the base panel (34) and the side panels (35/36). Then fit the back panels (37). Finally, fit the other side panels (35/36). Use the following to do so:

- 20 Hex screws M6 x 10 (a)
- 20 washers (b)
- 20 nuts size M6 (c)

Fasten the cross strut (38) as shown in Fig. 25 and then attach the door (20). Use the following to do so:

- 4 recessed head screws M5 x 10 (d)
- 4 self-locking nuts M5 (e)

Fasten the feet (19) to the side panels 35 and 36 as shown in Fig. 27 and 29. The feet are height-adjustable to enable the plane to be perfectly aligned even on an uneven floor/ground surface. Use the following to do so:

- 4 washers (a)
- 4 Hex screws M10 x 40 (b)
- 8 nuts size M10 (c)

Fit the transportation wheels (18) to the side panels (36) as shown in Fig. 29 and 30. Use the following to do so:

- 4 Hex screws M6 x 15 (a)
- 4 washers (b)
- 4 self-locking nuts M6 (c)

Screw the side panels (35/36) of the base frame to the plane as shown in Fig. 31 and 32. Use the following to do so:

- 4 nuts size M8 (a)
- 4 washers (b)
- 4 Hex screws M8 x 15 (c)

10. Using the plane**10.1 Using the switches (Fig. 3)**

- Item A: Surfacing mode
- Item B: Thicknessing mode
- Item C: ON button
- Item D: OFF button
- Item E: Emergency stop button
- Item F: Closable switch cover
- Item G: Connection socket

10.2 Direction of rotation (for RT-SP 260D)

Important: It is essential that you check the direction in which the planing knife turns. To do this, switch the machine on and off briefly. The planing knife must turn clockwise when viewed from the front of the machine (see the directional arrow on the front of the machine). If this is not the case the direction of rotation must be corrected. Please contact an electrical service center to have this done.

10.3 Fitting the parallel stop (Fig. 33)

Slacken the ratchet lever (16) to adjust the parallel stop (6) to the desired workpiece width. Opening the ratchet lever (15) enables the stop rule (39) to be swivelled to the required angle. **Please note:** The stop rule (39) must always lie on the table (13).

10.4 Adjusting the planing knife cover (Fig. 34)

The planing knife cover (12) is infinitely adjustable to the width of the workpiece. To do so, first release the clamping lever (7). Then move the selector lever (10) to adjust the height of the planing knife cover (12) relative to the height of the workpiece.

10.5 Adjusting the chip depth for surfacing (Fig. 1/35)

The chip depth is infinitely adjustable using the setting knob for chip depth (9). The setting can be read on the scale (40).

10.6 Adjusting the thicknessing table (Fig. 42)

The thicknessing table (42) can be adjusted to the desired dimension using the crank (4). The dimension required can be read from the pointer (41) on the scale (33).

11. Resetting for thicknessing**11.1 Removing the parallel stop (Fig. 19)**

To remove the parallel stop (6), follow the above instructions in section 9.6 in reverse order.

GB**11.2 Removing the planing table (Fig. 39/40)**

To remove the planing table (14), follow the above instructions in section 9.4 in reverse order.

11.3 Turning the chip housing over (Fig. 40-42)

Turn the thickening table (42) right down with the handcrank (4) and swing the sawdust extractor (5) up.

12. Operating in surfacing mode (Fig. 37/38)

Place the material flat on the infeed table (13) and adjust the desired height of the planing knife cover (12) with your left hand. The material should not come into contact with the planing knife cover (12) when you do this. Start the machine in surfacing mode (see 10.1) and push the material slowly and steadily against the knife block (23). Important: **Move your hands up over and away from the knife cover. Always keep your thumbs against your hands while surfacing.**

To align the narrow side of the workpiece, release the clamping lever (7) for the planing knife cover (12) and adjust the cover (12) to the required width. The plastic spring (43) at the end of the planing knife cover (12) should press lightly against the workpiece. Lock the planing knife cover (12) in the correct position and start the machine. Push the workpiece slowly and steadily against the knife block (23). Make sure that the parallel stop (6) is set to an angle of exactly 90° (or an alternative desired angular distance). The workpiece must lie flat against the parallel stop.

Important! It is imperative that a push stick is used for all surfacing work on short workpieces (3)!

13. Operating in thickening mode (Fig. 42/43)

Prepare the machine for thickening as described in section 11. Adjust the thickening table (42) to the desired material thickness. The setting must not exceed a maximum of 5 mm from the actual thickness of the material (see section 10.5). Start the machine in thickening mode (see 10.1) and place the workpiece on the thickening table with the planed side facing down (42). Push the workpiece slowly forwards until it is picked up by the feeding roller (44). Wedge-shaped workpieces should always be fed in with the thicker end first.

14. Changing the place of installation (Fig. 49)

Lift the machine with the aid of the transportation handles (11) until the transportation wheels (18) are on the floor and can turn.

15. Maintenance and servicing**15.1 Replacing the planing knives (Fig. 36/44-46)**

Always switch the machine off before starting any maintenance work. To prevent workpieces from being kicked back as a consequence of blunt knives, check the sharpness of the knives at regular intervals. Exchange blunt knives as follows:

Remove the parallel stop as described in 11.1. Undo the screws (a) on the latch (22). Screw the screws (a) into the latch in a clockwise direction. Remove the latch (22) from the knife block (23) together with the knife (21). Clean the parts. Fasten a new knife (21) to the latch (22) and fit back in the knife block. Tighten the screws (a) lightly. Then check the amount by which the knife (21) projects out of the planing table (14). Use a dial gauge or ruler to do so.

The maximum amount by which the knife (21) is permitted to project from the planing table (14) is 0.1 mm.

To correct the knife projection, screw the three Allen screws (b) on the latch (22) further in and out. You should also make sure that the knife projects by the same amount across the length of the knife block (23) (Fig. 46). Once the knife projection has been set correctly, re-tighten the screws (a). Tighten the screws (a) in the middle first, then the ones on the outside.

Important!

Only use knives which have been produced specifically for this machine. If you use other knives there is a risk of injuries as a consequence of a lack of control. Avoid over-tightening and the possibility of the thread becoming detached. If the latch (22) or the screws have worn out threads they must be immediately replaced.

15.2 Belt tension (Fig. 47/48)

Check the belt tension after the first five hours of operation of the machine. To do so, undo the wing nuts (a) with which the belt cover (45) is fastened. Check the tension by pressing the belt (46). The amount of play should be 15-20 mm.

15.3 Cleaning and maintenance

Clean dust off the drive gear unit of the thickening plane with a brush or compressed air. Lubricate all clamping points and chains at regular intervals with a few drops of engine oil.

Keep the belt (46) free of oil and grease at the same time, however.

Clean chips and dust off the spindles on the thickening table at regular intervals and lubricate them with a little oil. Keep the infeed table (13), the planing table

(14) and the thickening table (42) free of chips.

Improve the smooth running of the tables by applying lubricant at regular intervals.

15.4 Ordering replacement parts

Please provide the following information on all orders for spare parts:

- Model/type of machine
- Article number of the machine
- ID number of the machine
- Number of the required spare part

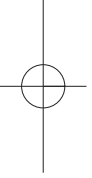
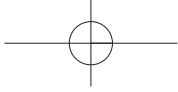
For our latest prices and information please go to www.isc-gmbh.info

16. Disposal and recycling

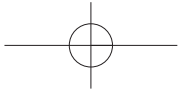
The unit is supplied in packaging to prevent its being damaged in transit. This packaging is raw material and can therefore be reused or can be returned to the raw material system.

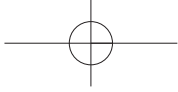
The unit and its accessories are made of various types of material, such as metal and plastic.

Defective components must be disposed of as special waste. Ask your dealer or your local council.

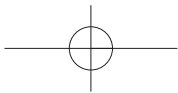


EH 05/2012 (01)





EH 05/2012 (01)



The guarantee provided in this Guarantee Certificate is given by Einhell Australia Pty Limited
ACN 134 632 858 of 6/166 Wellington Street, Collingwood, Victoria (Telephone number 1300 922 271)
(Einhell Express Guarantee).

GUARANTEE CERTIFICATE

Dear Customer,

All of our products undergo strict quality checks. In the unlikely event that your device develops a fault, please contact our service department at the address shown on this guarantee certificate. Of course, if you would prefer to call us then we are also happy to offer our assistance under the service number printed below. Please note the following terms under which claims under the Einhell Express Guarantee can be made:

1. The benefits conferred by the Einhell Express Guarantee are in addition to all rights and remedies which you may be entitled to under the Australian Consumer Law, and any other statutory rights you may have under other applicable laws. This Einhell Express Guarantee does not exclude, restrict or modify any such rights or remedies.

We do not charge you for the Einhell Express Guarantee.

2. Our goods come with guarantees that cannot be excluded under the Australian Consumer Law. You are entitled to a replacement or refund for a major failure and for compensation for any other reasonably foreseeable loss or damage. You are also entitled to have the goods repaired or replaced if the goods fail to be of acceptable quality and the failure does not amount to a major failure.
3. The Einhell Express Guarantee only covers problems caused by material or manufacturing defects, and our liability under the Einhell Express Guarantee is limited, at our discretion, to the rectification of these defects or replacement of the product. Please note that the product has not been designed for use in commercial, trade or industrial applications. Consequently, the Einhell Express Guarantee will not apply if the product is used in commercial, trade or industrial applications or for other equivalent activities.
4. The following are also excluded from the Einhell Express Guarantee: compensation for transport damage, damage caused by failure to comply with the installation/assembly instructions or damage caused by unprofessional installation, failure to comply with the operating instructions (e.g. connection to the wrong mains voltage or current type), misuse or inappropriate use (such as overloading of the product or use of non-approved tools or accessories), failure to comply with the maintenance and safety regulations, ingress of foreign bodies into the product (e.g. sand, stones or dust), effects of force or external influences (e.g. damage caused by the product being dropped) and normal wear resulting from proper operation of the product. The Einhell Express Guarantee will also not apply if any attempt is made to tamper with the product.
5. The Einhell Express Guarantee is valid for a period of 2 years starting from the purchase date of the product. Claims made under the Einhell Express Guarantee should be submitted before the end of this guarantee period and within two weeks of the defect being noticed. No claims under the Einhell Express Guarantee will be accepted if submitted after the end of this guarantee period. The original guarantee period remains applicable to the device even if repairs are carried out or parts are replaced. In such cases, the work performed or parts fitted will not result in an extension of the guarantee period for the Einhell Express Guarantee, and the Einhell Express Guarantee will not apply for the work performed or parts fitted. This also applies when an on-site service is used.
6. To make a claim under the Einhell Express Guarantee, please send the relevant product postage-free to the address shown below and enclose either the original or a copy of your sales receipt or another dated proof of purchase. It would help us if you could describe the nature of the problem in as much detail as possible. If the defect is covered by the Einhell Express Guarantee, your product will be repaired immediately and returned to you, or we will send you a new device (at our election).

Any costs incurred by you in making a claim under this Einhell Express Guarantee, unless specified otherwise in this guarantee certificate, must be borne by you.

Of course, we are also happy to offer a chargeable repair service for any defects which are not covered by the scope of the Einhell Express Guarantee or for products which are no longer covered by the Einhell Express Guarantee. To take advantage of this service, please send the product to our service address.

EINHELL AUSTRALIA PTY LTD
6/166 Wellington Street
Collingwood VIC 3066
Australia
Phone: 1300 922 271