

**PARKSIDE®**



[www.lidl-service.com](http://www.lidl-service.com)



## BENCH BELT SANDER PSDS 240 A1

GB CY

### BENCH BELT SANDER

Operation and Safety Notes  
Original operating instructions

DE AT CH

### STAND-BANDSCHLEIFER

Bedienungs- und Sicherheitshinweise  
Originalbetriebsanleitung

GR CY

### ΤΑΙΝΙΟΛΕΙΑΝΤΗΡΑΣ ΒΑΣΗΣ ΚΑΙ ΤΡΟΧΟΣ ΛΕΙΑΝΣΗΣ

Υποδείξεις χειρισμού και ασφαλείας  
Πρωτότυπες Οδηγίες χρήσης

IAN 90851

GR



GB CY

Before reading, unfold the page containing the illustrations and familiarise yourself with all functions of the device.

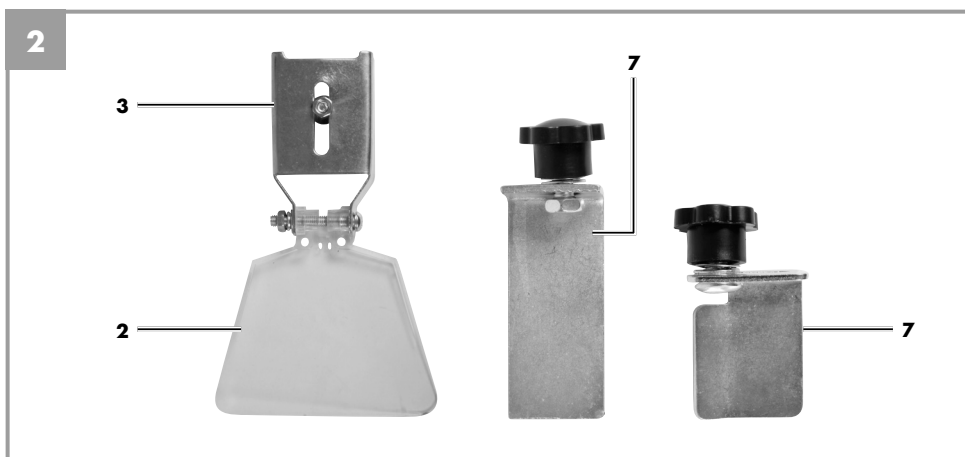
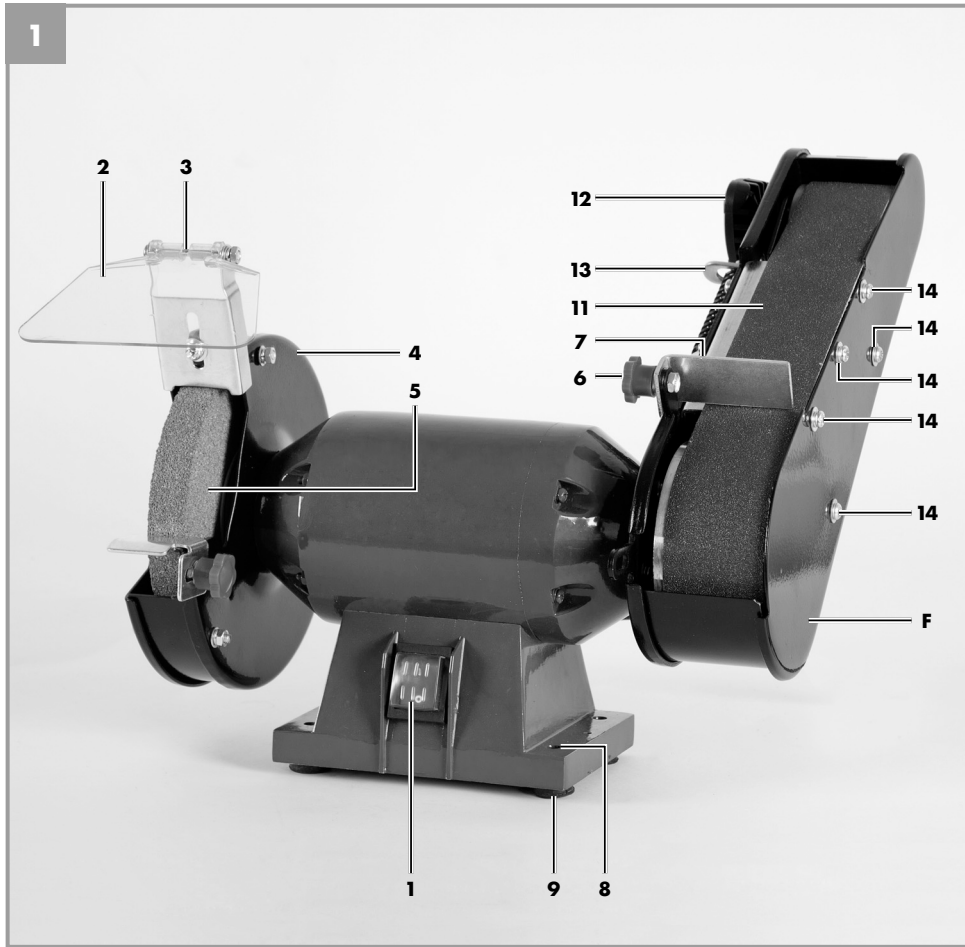
GR CY

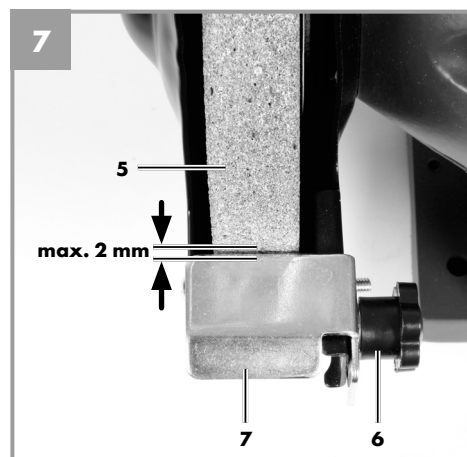
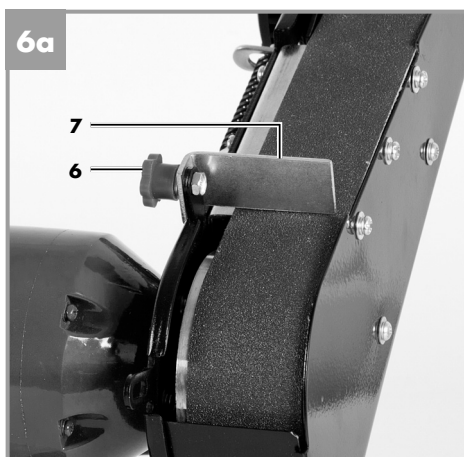
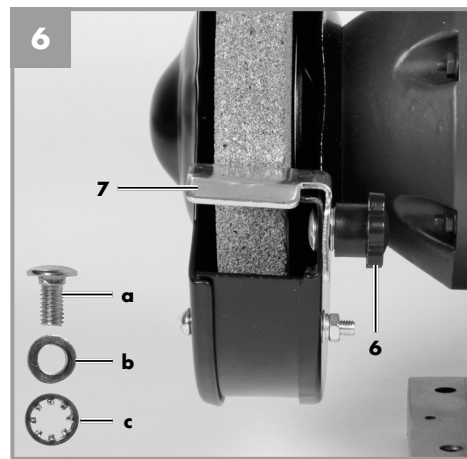
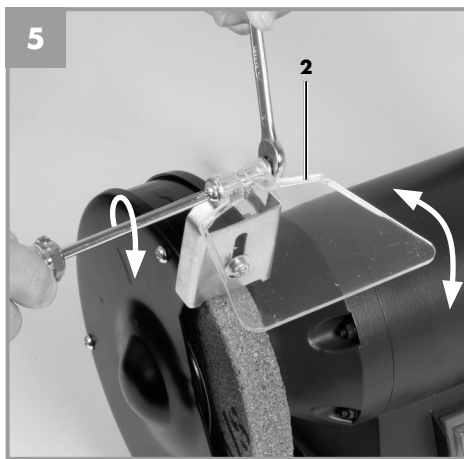
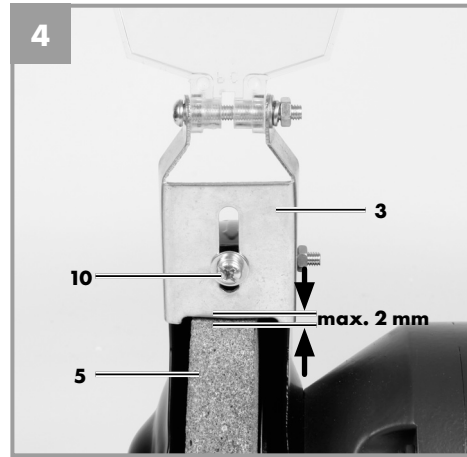
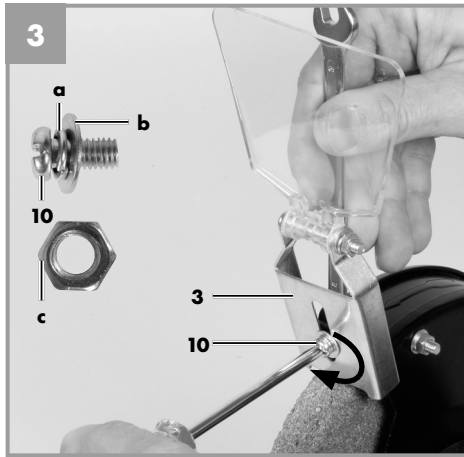
Πριν ξεκινήσετε την ανάγνωση, ανοίξτε τη σελίδα με τις εικόνες και εξοικειωθείτε με όλες τις λειτουργίες της συσκευής.

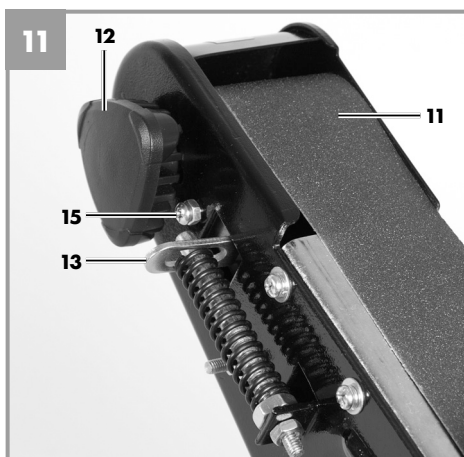
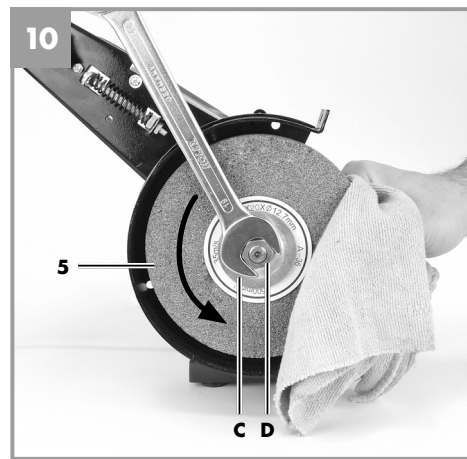
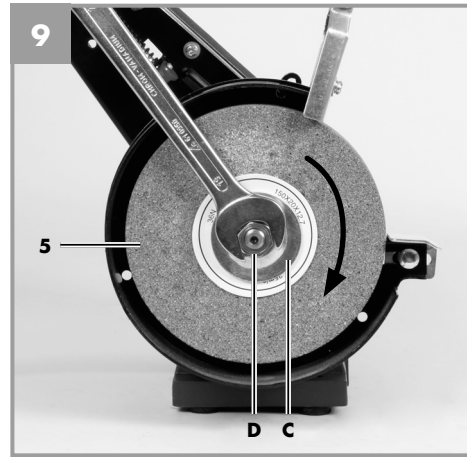
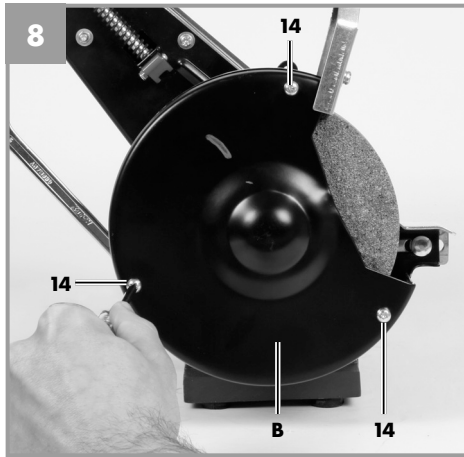
DE AT CH

Klappen Sie vor dem Lesen die Seite mit den Abbildungen aus und machen Sie sich anschließend mit allen Funktionen des Gerätes vertraut.

GB/CY	Operation and Safety Notes	Page	6
GR/CY	Υποδείξεις χειρισμού και ασφαλείας	Σελίδα	18
DE/AT/CH	Bedienungs- und Sicherheitshinweise	Seite	33









## Table of contents

1. Introduction.....	8
2. Safety regulations .....	8
3. Layout and items supplied.....	11
4. Intended use .....	12
5. Technical data .....	12
6. Before starting the equipment .....	13
7. Operation .....	14
8. Replacing the power cable .....	15
9. Cleaning, maintenance and ordering of spare parts.....	15
10. Storage .....	15
11. Disposal and recycling .....	15
12. Declaration of conformity.....	16
13. Warranty certificate.....	17

The reprinting or reproduction by any other means, in whole or in part, of documentation and papers accompanying products is permitted only with the express consent of the iSC GmbH.

Subject to technical changes



GB/CY



**Caution** - Read the operating instructions to reduce the risk of injury



**Wear ear-muffs.** The impact of noise can cause damage to hearing.



**Wear a breathing mask.** Dust which is injurious to health can be generated when working on wood and other materials. Never use the device to work on any materials containing asbestos!



**Wear safety goggles.** Sparks generated during working or splinters, chips and dust emitted by the device can cause loss of sight.

## 1. Introduction

Congratulations on your new purchase. You have decided in favor of a high-quality product. The operating instructions are a part of this product. They contain information of importance for your safety, for the use of the product and for its disposal. Before you use the product, acquaint yourself with all the information concerning its operation and safety. Use the product only as described and only for the listed areas of application. If you hand on the product to other people, give them all the documentation as well.

## 2. Safety regulations

### ⚠ Caution!

#### **Read all safety regulations and instructions.**

Any errors made in following the safety regulations and instructions may result in an electric shock, fire and/or serious injury.

#### **Keep all safety regulations and instructions in a safe place for future use.**

#### **Safety instructions**

**Warning! When using electric tools, basic safety precautions should always be followed to reduce the risk of fire, electric shock and personal injury, including the following.**

**Read and follow these instructions before using the equipment and keep the safety information in a safe place.**

1. **Keep work area clean**
  - Cluttered areas and benches invite injuries.
2. **Consider work area environment**
  - Don't expose power tools to rain. Don't use power tools in damp or wet locations. Keep work area well lit. Don't use power tools in presence of flammable liquids or gases.
3. **Guard against electric shock**
  - Prevent body contact with grounded surfaces (e.g. pipes, radiators, ranges refrigerators).
4. **Keep children away**
  - Do not let visitors contact tool or extension cord. All visitors should be kept away from work area.
5. **Store idle tools**
  - When not in use, tools should be stored in dry, high, or locked-up place, out of the reach of children.
6. **Don't force tool**
  - It will do the job better and safer at the rate for which it was intended.
7. **Use right tool**
  - Don't force small tools or attachments to do the job of heavy duty tool. Don't use tools for purposes not intended: for example, don't use circular saw for cutting tree limbs or logs.
8. **Dress properly**
  - Do not wear loose clothing or jewelry. They can be caught in moving parts. Rubber gloves and nonskid footwear are recommended when working outdoors. Wear protective hair covering to contain long hair.
9. **Use safety glasses**
  - Also use face or dust mask if cutting operation is dusty.
10. **Don't abuse cord**
  - Never carry tool by cord or yank it to disconnect it from receptacle. Keep cord from heat, oil and sharp edges.
11. **Secure work**
  - Use clamps or a vise to hold work. It's safer than using your hand and it frees both hands to operate tool.
12. **Don't overreach**
  - Keep proper footing and balance at all times.
13. **Maintain tools with care**
  - Keep tools sharp and clean for better and safer performance. Follow instructions for lubricating and changing accessories. Inspect tool cords periodically and, if damaged, have repaired by authorized service facility. Inspect extension cords periodically and replace if damaged. Keep handles dry, clean and free from oil and grease.



**14. Disconnect tools**

– When not in use, before servicing, and when changing accessories such as blades, bits and cutters.

**15. Remove adjusting keys and wrenches**

– Form the habit of checking to see that keys and adjusting wrenches are removed from tool before turning it on.

**16. Avoid unintentional starting**

– Don't carry plugged-in tool with finger on switch. Be sure switch is off when plugging in.

**17. Outdoor use extension cords**

– When tool is used outdoors, use only extension cords intended for use outdoors and so marked.

**18. Stay alert**

– Watch what you are doing. Use common sense. Do not operate tool when you are tired.

**19. Check damaged parts**

– Before further use of the tool, a guard or other part that is damaged should be carefully checked to determine that it will operate properly and perform its intended function. Check for alignment of moving parts, binding of moving parts, breakage of parts, mounting, and any other conditions that may affect its operation. A guard or other part that is damaged should be properly repaired or replaced by an authorized service center unless otherwise indicated elsewhere in this instructions manual. Have defective switches replaced by an authorized service center. Do not use tool if switch does not turn it on and off.

**20. Warning**

– The use of any other accessory or attachment other than recommended in this operating instruction or the Einhell catalog may present a risk of personal injury.

**21. Have your tool repaired by an expert**

– This electric appliance is in accordance with the relevant safety rules repairing of electric appliances may be carried out only by experts otherwise it may cause considerable danger for the user.

**22. Connect the dust extraction device**

Wherever there are facilities for fitting a dust extraction system, make sure it is connected and used.

**General safety regulations and accident prevention**

It is essential that you read the safety regulations and operating instructions in their entirety and follow the information contained therein in order to eliminate the possibility of an accident or potentially dangerous situation from occurring while working with the machine.

- Always check the device, the mains cable and the plug before using the high-pressure cleaner. Only operate the tool when it is in good working order and is not damaged in any way. Damaged parts have to be replaced immediately by a qualified electrician.
- Always pull the power plug out of the socket outlet before doing any work on the machine, before changing the grinding tool and whenever the machine is not being used.
- To prevent damage to the power cable, always lead the power cable away from the rear of the machine.
- Keep the tools in a safe place and out of the reach of children.

**Use on materials containing asbestos is prohibited.**

Note the corresponding accident prevention regulation (e.g. VBG 119 in Germany) issued by the professional associations in your country.

- Use only original replacement parts.
- Repairs may only be carried out by a qualified electrician.
- The machine may exceed 85 db (A) at the workplace. The operator will require noise protection measures and ear muffs if this is the case. The noise of this electric tool is measured in accordance with IEC 59 CO 11, IEC 704, DIN 45635 part 21, NFS 31-031 (84/537/EEC).
- Ensure that you maintain a steady foothold. Avoid abnormal working postures.
- Do not expose your electric tool to rain. Never use electric tools in damp or wet locations

- or near flammable liquids or gases.
- Protect the mains cable from becoming damaged by oil, solvents and sharp edges.
- Keep your work area tidy.
- Make sure that the switch is turned off when connecting the tool to the power supply.
- Wear suitable work clothes. Never wear loose fitting clothes and jewelry. Wear a hair net if you have long hair.
- For your own safety, use only accessories and auxiliary equipment from the manufacturer of your electric tool.
- Always wear safety goggles, protective gloves and ear-muffs while carrying out grinding, brushing and cutting jobs.
- Check that the rotating speed shown on the wheel is equal to or higher than the rated speed of rotation for the grinder.
- Make sure that the grinding wheel is of the correct size for the grinder.
- Grinding wheels must be handled and stored with care in accordance with the manufacturer's instructions. Examine the grinding wheel each time before using it. Never use grinding wheels which have parts broken off or are cracked or in any other way damaged.
- Be sure to use only grinding wheels and brushes which are marked with a speed at least as high as the speed indicated on the rating plate of the electric tool.
- Check that grinding wheels are fitted in accordance with the manufacturer's instructions.
- Make sure that intermediate layers are used if they are supplied with and required for the grinding wheel.
- Make sure that the grinding disk is correctly fitted and secured before you start to use the tool. Allow the machine to run without load and in a safe position for 5 minutes. Stop the machine immediately if severe vibrations arise or any other defects are noticed. If this should be the case, examine the machine to find the cause.
- The electric tool must never be used without the guard hood supplied with it.
- Never use separate reducer sleeves or adapters to make grinding wheels with larger holes

fit on the machine.

- Take precautions to ensure that flying sparks do not cause any danger, e.g. that they do not hit anyone or cause inflammable substances to ignite.
- Always wear safety goggles and ear-muffs; use other personal safety equipment such as gloves, an apron and a helmet if necessary.
- The workpiece becomes hot during grinding.

### **Important! Risk of burns!**

Let the workpiece cool down. The material may become glowing hot during the grinding. On longer jobs, allow the workpiece to cool down occasionally.

- Do not use coolant or the like.

### **Special safety information**

1. Before you use the grinder, carry out a ring test on the grinding wheels (perfect grinding wheels emit a clear tone when hit lightly with e.g. a plastic hammer). This also applies when you fit new grinding wheels (damage in transit). It is essential to subject the machine to an unloaded test run of at least 5 minutes. Leave the danger zone while the test is in progress.
2. Use only grinding wheels which are marked with details of the manufacturer, the type of bonding agent used, dimensions and the permissible RPM.
3. Grinding wheels must be stored in a dry place, ideally at a constant temperature.
4. Use only the clamping flanges supplied with the equipment to mount the grinding wheels.
5. Use only clamping flanges of identical size and identical shape to mount the grinding wheels. The intermediate layers between the clamping flange and the grinding wheel must be comprised of elastic materials, e.g. rubber, soft cardboard, etc.
6. Never enlarge a grinding wheel's mounting hole by subsequent drilling.
7. The workpiece supports and the top adjustable safety guards must always be moved as close as possible to the grinding wheel (max. 2 mm clearance).

8. Grinding wheels are not allowed to be used without the safety device. The following clearances must not be exceeded:
  - Workpiece support/grinding wheel: max. 2 mm
  - Safety guard/grinding wheel: max. 2 mm
9. The guard holder, workpiece support and transparent guard must be fitted before the double grinder is used.
10. The power plug must be pulled out before changing the grinding wheel.
11. The max. circumferential speed of the dry grinding wheel is: 23.17 m/s

$$m/s = (d \times 3.14 \times n) / (60 \times 1000)$$

d = diameter of the grinding wheel in mm  
n = motor revolutions per minute

12. Max. permitted motor housing temperature: 80°C
13. Before starting work, firmly screw the grinder to the workbench etc. using the 4 mounting holes in the base plate.
14. Adjust the spark deflector periodically in order to compensate the wear of the wheel. Please note that the distance between the spark deflector and the wheel is to be kept as small as possible and should in no case exceed 2mm.
15. The grinding wheel must be replaced at the latest when the spark deflector and the workpiece support can no longer be set a maximum distance of 2mm from the grinding wheel.

**Keep this safety information in a safe place.**

### 3. Layout and items supplied

#### 3.1 Layout (Fig. 1/3/6/8/11)

1. On/Off switch
2. Safety glass
3. Spark deflector
4. Guard hood
5. Grinding wheel
6. Workpiece support star screw
7. Workpiece support
8. Mounting holes
9. Foot
10. Spark deflector adjusting screw
11. Grinding /sanding belt
12. Clamp screw for the top belt roller
13. Clamping lever
14. Fastening screw for side cover
15. Belt guidance adjustment screw

#### 3.2 Items supplied

- Open the packaging and take out the equipment with care.
- Remove the packaging material and any packaging and/or transportation braces (if available).
- Check to see if all items are supplied.
- Inspect the equipment and accessories for transport damage.
- If possible, please keep the packaging until the end of the guarantee period.

#### **Important!**

**The equipment and packaging material are not toys. Do not let children play with plastic bags, foils or small parts. There is a danger of swallowing or suffocating!**

- Original operating instruction



## 4. Intended use

The grinder/sander is a combination device for the coarse and fine grinding/sanding of metals, woods of all kinds and other materials using the appropriate grinding/sanding wheel or belt. The machine may only be used with grinding/sanding wheels or belts which are suitable for it and comply with the characteristic data in these instructions.

The machine is allowed to be used only for its intended purpose! Even when the equipment is used as prescribed it is still impossible to eliminate certain residual risk factors. The following hazards may arise in connection with the machine's construction and layout:

- Contact with the grinding wheel where it is not covered.
- Catapulting of parts from out of damaged grinding wheels.
- Catapulting of workpieces and parts of workpieces.
- Damage to hearing if essential ear-muffs are not used.
- Harmful emissions of wood dust when used in closed rooms.
- The rotating parts of the device cannot be covered for functional reasons. Therefore you must exercise care and hold the workpiece firmly to prevent it slipping which could result in your hands coming into contact with the grinding/sanding belt.

The equipment is to be used only for its prescribed purpose. Any other use is deemed to be a case of misuse. The user / operator and not the manufacturer will be liable for any damage or injuries of any kind caused as a result of this.

Please note that our equipment has not been designed for use in commercial, trade or industrial applications. Our warranty will be voided if the machine is used in commercial, trade or industrial businesses or for equivalent purposes.

## 5. Technical data

Rated voltage: ..... 230 V ~ 50 Hz  
 Power rating: ..... 240 W S2 30 min  
 Idle speed  $n_0$ : ..... 2950 min<sup>-1</sup>  
 Ø grinding wheel: ..... 150 mm  
 Grinding wheel thickness: ..... 20 mm  
 Ø grinding wheel hole: ..... 12.7 mm  
 Max. circumferential speed: ..... 23.17 m/s  
 Belt speed: ..... 900 m/min  
 Grinding /sanding belt: ..... 50 x 686 mm  
 Weight: ..... 7.2 kg

### Load factor:

A load factor of S2 30 min (intermittent periodic duty) means that you may operate the motor continuously at its nominal power level (240 W) for no longer than the time stipulated on the specifications label (30 minutes ON period). If you fail to observe this time limit the motor will overheat. During the OFF period the motor will cool again to its starting temperature.

### Sound and vibration

Sound and vibration values were measured in accordance with EN 61029.

$L_{pA}$  sound pressure level ..... 89 dB(A)  
 $K_{pA}$  uncertainty ..... 3 dB  
 $L_{WA}$  sound power level ..... 102 dB(A)  
 $K_{WA}$  uncertainty ..... 3 dB

### Wear ear-muffs.

The impact of noise can cause damage to hearing.

Total vibration values (vector sum of three directions) determined in accordance with EN 61029.

Vibration emission value  $a_h \leq 2.5 \text{ m/s}^2$   
 K uncertainty = 1.5 m/s<sup>2</sup>

**Warning!**

The specified vibration value was established in accordance with a standardized testing method. It may change according to how the electric equipment is used and may exceed the specified value in exceptional circumstances.

The specified vibration value can be used to compare the equipment with other electric power tools.

The specified vibration value can be used for initial assessment of a harmful effect.

**Keep the noise emissions and vibrations to a minimum.**

- Only use appliances which are in perfect working order.
- Service and clean the appliance regularly.
- Adapt your working style to suit the appliance.
- Do not overload the appliance.
- Have the appliance serviced whenever necessary.
- Switch the appliance off when it is not in use.
- Wear protective gloves.

**Residual risks**

**Even if you use this electric power tool in accordance with instructions, certain residual risks cannot be ruled out. The following hazards may arise in connection with the equipment's construction and layout:**

1. Lung damage if no suitable protective dust mask is used.
2. Damage to hearing if no suitable ear protection is used.
3. Health damage caused by hand-arm vibrations if the equipment is used over a prolonged period or is not properly guided and maintained.

**6. Before starting the equipment**

Before you connect the equipment to the mains supply make sure that the data on the rating plate are identical to the mains data.

**Always pull the power plug before making adjustments to the equipment.**

- The machine must be set up so that it stands firmly, i.e. it must be securely screwed to a work bench or similar.
- All covers and safety devices have to be properly fitted before the equipment is switched on.
- It must be possible for the grinding wheel to run freely.

**6.1 Assembling the spark deflector (Fig. 1/3/4/5)**

- Slide the spark deflector (3) under the safety hood (4). Screw the spark deflector (3) to the safety hood (4) using the adjustment screw (10).
- Use the screw (10) with the spring washer (a), the washer (b) and the nut (c) which are fastened to the spark deflector (3). To secure you will need a screwdriver and a matching open-ended spanner for holding steady on the other side (Fig. 3).
- Adjust the spark deflector (3) using the adjusting screw (10) so that the distance between the dry grinding wheel (5) and the spark deflector (3) is as small as possible and certainly does not exceed 2 mm.
- Adjust the spark deflector (3) periodically to compensate for wear on the wheel.

**6.2 Fitting the workpiece supports (Fig. 1/6/6a/Item 7)**

- Secure the workpiece supports (7) to the grinder/sander using the star screws (6).
- Push the screw (a) through the recess where you want to fasten the workpiece support (7). First mount the workpiece support (7), then the washer (b) and the toothed washer (c). Finally mount the star screw (6) and tighten.

### 6.3 Adjusting the workpiece supports (Fig. 7 / Item 7)

- Adjust the workpiece supports (7) using the star screws (6) so that the distance between the dry grinding wheel (5) and the workpiece support (7) is as small as possible and certainly does not exceed 2 mm.
- Adjust the workpiece supports (7) periodically to compensate for wear on the dry grinding wheel.

### 6.4. Changing the grinding wheel (Figs. 1/8/9/10)

Remove the 3 screws (14) holding the grinding wheel side guard (B) and take it off (Fig. 8). Then remove the screws (14) holding the grinding belt side guard (F) and take it off (Fig. 1). Slacken the nut (Fig. 9/D) (**important: the grinding/sanding wheel is fastened with a left-handed thread**) by holding the nut (Fig. 9a/E) of the grinding/sanding belt roller on the opposite side. Then remove the flange (C) and replace the grinding wheel (5). The grinding wheel is mounted with the help of a rag. Mount the flange (C) on the shaft and screw on the nut (D) hand-tight (Fig. 10). To tighten the nut (D), hold the grinding wheel (5) with a rag and tighten the nut (D) (Fig. 10).

### 6.5. Changing the grinding/sanding belt (Fig. 1/11)

- Undo the five screws (14) and remove the side safety guard (F). Slacken the clamp screw for the top belt roller (12) by a few turns.
- Push the clamping lever (13) downwards and pull the grinding/sanding belt off the rollers.
- Place the new grinding/sanding belt (11) in the center of the top and bottom rollers and release the clamping lever (13).
- Now tighten the clamp screw (12) and fit the side safety guard.
- With the belt guidance adjustment screw (15) on the side you can adjust the belt run by slackening the nut on the adjustment screw of the belt guidance (15) and adjusting the precision of the belt run with a screwdriver. Precise adjustment of the belt run is best done by turning the grinding/sanding belt by hand. Once you

have adjusted the belt run, retighten the nut with a ring spanner.

## 7. Operation

### 7.1 On/Off switch (1)

- To switch on the equipment set the On/Off switch (1) to position 1.
- Move the On/Off switch (1) to position 0 to switch off the equipment.

After switching on, wait for the equipment to reach its maximum speed of rotation. Only then should you begin with the grinding.

### 7.2 Grinding

- Place the workpiece onto the workpiece support (7) and slowly guide the workpiece towards the grinding wheel (5) at the desired angle to the point where workpiece and grinding wheel make contact.
- Move the workpiece slightly back and forth to produce an optimal grinding result. This way the grinding wheel (5) will be evenly worn. Allow the workpiece to cool down occasionally.

### 7.3 Grinding/sanding with the belt

- Always hold the workpiece firmly during grinding/sanding.
- Do not exert excessive pressure.
- The workpiece should be moved to and fro on the belt as you grind/sand it to prevent the paper wearing on one side.
- Important! Pieces of wood should always be sanded with the grain to prevent them splitting.

#### **Important!**

If the grinding wheel or the grinding/sanding belt becomes jammed during operation, please remove the workpiece until the tool reaches its top speed again.

## 8. Replacing the power cable

If the power cable for this equipment is damaged, it must be replaced by the manufacturer or its after-sales service or similarly trained personnel to avoid danger.

## 9. Cleaning, maintenance and ordering of spare parts

Always pull out the mains power plug before starting any cleaning work.

### 9.1 Cleaning

- Keep all safety devices, air vents and the motor housing free of dirt and dust as far as possible. Wipe the equipment with a clean cloth or blow it with compressed air at low pressure.
- We recommend that you clean the device immediately each time you have finished using it.
- Clean the equipment regularly with a moist cloth and some soft soap. Do not use cleaning agents or solvents; these could attack the plastic parts of the equipment. Ensure that no water can seep into the device.

### 9.2 Maintenance

There are no parts inside the equipment which require additional maintenance.

### 9.3 Ordering replacement parts:

Please quote the following data when ordering replacement parts:

- Type of machine
- Article number of the machine
- Identification number of the machine

For our latest prices and information please go to [www.isc-gmbh.info](http://www.isc-gmbh.info)

## 10. Storage

Store the equipment and accessories out of children's reach in a dark and dry place at above freezing temperature. The ideal storage temperature is between 5 and 30 °C. Store the electric tool in its original packaging.

## 11. Disposal and recycling

The unit is supplied in packaging to prevent it being damaged in transit. This packaging is raw material and can therefore be reused or can be returned to the raw material system.

The unit and its accessories are made of various types of material, such as metal and plastic. Defective components must be disposed of as special waste. Ask your dealer or your local council.



For EU countries only

Never place any electric power tools in your household refuse.

To comply with European Directive 2002/96/EC concerning old electric and electronic equipment and its implementation in national laws, old electric power tools have to be separated from other waste and disposed of in an environment-friendly fashion, e.g. by taking to a recycling depot.

Recycling alternative to the return request:

As an alternative to returning the equipment to the manufacturer, the owner of the electrical equipment must make sure that the equipment is properly disposed of if he no longer wants to keep the equipment. The old equipment can be returned to a suitable collection point that will dispose of the equipment in accordance with the national recycling and waste disposal regulations. This does not apply to any accessories or aids without electrical components supplied with the old equipment.

## 12. Declaration of conformity

<b>Einhell Germany AG · Wiesenweg 22 · D-94405 Landau/Isar</b>		<b>CE</b>	
<b>Konformitätserklärung</b>			
<b>D</b>	erklärt folgende Konformität gemäß EU-Richtlinie und Normen für Artikel	<b>PL</b>	deklaruje zgodność wymienionego poniżej artykułu z następującymi normami na podstawie dyrektywy WE.
<b>GB</b>	explains the following conformity according to EU directives and norms for the following product	<b>BG</b>	декларира съответното съответствие съгласно Директива на ЕС и норми за артикул
<b>F</b>	déclare la conformité suivante selon la directive CE et les normes concernant l'article	<b>LV</b>	paskaidro šādu atbilstību ES direktīvai un standartiem
<b>I</b>	dichiara la seguente conformità secondo la direttiva UE e le norme per l'articolo	<b>LT</b>	apibūdina šį atitikimą EU reikalavimams ir prekės normoms
<b>NL</b>	verklaart de volgende overeenstemming conform EU richtlijn en normen voor het product	<b>RO</b>	declară următoarea conformitate conform directivei UE și normelor pentru articolul
<b>E</b>	declara la siguiente conformidad a tenor de la directiva y normas de la UE para el artículo	<b>GR</b>	δηλώνει την ακόλουθη συμμόρφωση σύμφωνα με την Οδηγία ΕΚ και τα πρότυπα για το προϊόν
<b>P</b>	declara a seguinte conformidade, de acordo com a directiva CE e normas para o artigo	<b>HR</b>	potvrđuje sljedeću usklađenost prema smjernicama EU i normama za artikl
<b>DK</b>	attesterer følgende overensstemmelse i medfør af EU-direktiv samt standarder for artikel		Izjava o sukladnosti za ovaj proizvod dostupna je na internet stranici www.lidl.hr.
<b>S</b>	förklarar följande överensstämmelse enl. EU-direktiv och standarder för artikeln	<b>BIH</b>	potvrđuje sljedeću usklađenost prema smjernicama EU i normama za artikl
<b>FIN</b>	vakuuttaa, että tuote täyttää EU-direktiivin ja standardien vaatimukset	<b>RS</b>	potvrđuje sledeću usklađenost prema smernicama EZ i normama za artikal
<b>EE</b>	tõendab toote vastavust EL direktiivile ja standarditele	<b>RUS</b>	следующим удостоверяется, что следующие продукты соответствуют директивам и нормам ЕС
<b>CZ</b>	vydává následující prohlášení o shodě podle směrnice EU a norem pro výrobek	<b>UKR</b>	проголошує про зазначену нижче відповідність виробу директивам та стандартам ЄС на виріб
<b>SLO</b>	potvrjuje sledečo skladnost s smernico EU in standardi za izdelek	<b>MK</b>	ја изјавува следната сообразност согласно ЕУ-директивата и нормите за артикли
<b>SK</b>	vydává nasledujúce prehlásenie o zhode podľa smernice EÚ a noriem pre výrobok	<b>TR</b>	Ürünü ile ilgili AB direktifleri ve normları gereğince aşağıda açıklanan uygunluğu belirtir
<b>H</b>	a cikkekhez az EU-irányvonal és Normák szerint a következő konformitást jelenti ki	<b>N</b>	erklærer følgende samsvar i henhold til EU-direktivet og standarder for artikkel
		<b>IS</b>	Lýsir uppfyllingu EU-reglna og annarra staðla vöru

**Standbandschleifer PSDS 240 A1 (Parkside)**

<input type="checkbox"/> 87/404/EC_2009/105/EC	<input checked="" type="checkbox"/> 2006/42/EC
<input type="checkbox"/> 2005/32/EC_2009/125/EC	<input type="checkbox"/> Annex IV
<input type="checkbox"/> 2006/95/EC	Notified Body:
<input type="checkbox"/> 2006/28/EC	Notified Body No.:
<input checked="" type="checkbox"/> 2004/108/EC	Reg. No.:
<input type="checkbox"/> 2004/22/EC	<input type="checkbox"/> 2000/14/EC_2005/88/EC
<input type="checkbox"/> 1999/5/EC	<input type="checkbox"/> Annex V
<input type="checkbox"/> 97/23/EC	<input type="checkbox"/> Annex VI
<input type="checkbox"/> 90/396/EC_2009/142/EC	Noise measured: L <sub>WA</sub> = dB (A); guaranteed L <sub>WA</sub> = dB (A)
<input type="checkbox"/> 89/686/EC_96/58/EC	P = KW; L <sub>Ø</sub> = cm
<input checked="" type="checkbox"/> 2011/65/EC	Notified Body:
	<input type="checkbox"/> 2004/26/EC
	Emission No.:

**Standard references: EN 61029-1; EN 61029-2-4;  
EN 55014-1; EN 55014-2; EN 61000-3-2; EN 61000-3-3**

Landau/Isar, den 28.01.2013	 Weichselgartner/General-Manager	 Wentao/Product-Management
-----------------------------	--	---

<b>First CE: 13</b>	<b>Archive-File/Record: NAPR006586</b>
<b>Art.-No.: 44.661.47</b>	<b>Documents registrar: Daniel Protschka</b>
<b>I.-No.: 11013</b>	<b>Wiesenweg 22, D-94405 Landau/Isar</b>
<b>Subject to change without notice</b>	



### 13. Warranty certificate

Dear Customer,

All of our products undergo strict quality checks to ensure that they reach you in perfect condition. In the unlikely event that your device develops a fault, please contact our service department at the address shown on this guarantee card. Of course, if you would prefer to call us then we are also happy to offer our assistance under the service number printed below. Please note the following terms under which guarantee claims can be made:

1. These guarantee terms cover additional guarantee rights and do not affect your statutory warranty rights. We do not charge you for this guarantee.
2. Our guarantee only covers problems caused by material or manufacturing defects, and it is restricted to the rectification of these defects or replacement of the device. Please note that our devices have not been designed for use in commercial, trade or industrial applications. Consequently, the guarantee is invalidated if the equipment is used in commercial, trade or industrial applications or for other equivalent activities. The following are also excluded from our guarantee: compensation for transport damage, damage caused by failure to comply with the installation/assembly instructions or damage caused by unprofessional installation, failure to comply with the operating instructions (e.g. connection to the wrong mains voltage or current type), misuse or inappropriate use (such as overloading of the device or use of non-approved tools or accessories), failure to comply with the maintenance and safety regulations, ingress of foreign bodies into the device (e.g. sand, stones or dust), effects of force or external influences (e.g. damage caused by the device being dropped) and normal wear resulting from proper operation of the device. This applies in particular to rechargeable batteries for which we nevertheless issue a guarantee period of 12 months. The guarantee is rendered null and void if any attempt is made to tamper with the device.
3. The guarantee is valid for a period of 3 years starting from the purchase date of the device. Guarantee claims should be submitted before the end of the guarantee period within two weeks of the defect being noticed. No guarantee claims will be accepted after the end of the guarantee period. The original guarantee period remains applicable to the device even if repairs are carried out or parts are replaced. In such cases, the work performed or parts fitted will not result in an extension of the guarantee period, and no new guarantee will become active for the work performed or parts fitted. This also applies when an on-site service is used.
4. In order to assert your guarantee claim, please send your defective device postage-free to the address shown below. Please enclose either the original or a copy of your sales receipt or another dated proof of purchase. Please keep your sales receipt in a safe place, as it is your proof of purchase. It would help us if you could describe the nature of the problem in as much detail as possible. If the defect is covered by our guarantee then your device will either be repaired immediately and returned to you, or we will send you a new device.

Of course, we are also happy offer a chargeable repair service for any defects which are not covered by the scope of this guarantee or for units which are no longer covered. To take advantage of this service, please send the device to our service address.

**EINHELL Hellas A. E.**

Lasithiou Str. 4

GR-14342 Nea Philadelphia

Tel. 0210 2776871, 0213 0069925 · Fax 0210 2776871

IAN 90851



GR/CY

## Περιεχόμενα

1. Εισαγωγή.....	20
2. Υποδείξεις ασφαλείας .....	20
3. Περιγραφή της συσκευής και συμπαραδιδόμενα .....	24
4. Ενδεδειγμένη χρήση .....	25
5. Τεχνικά χαρακτηριστικά .....	26
6. Πριν τη θέση σε λειτουργία .....	27
7. Χειρισμός.....	28
8. Αντικατάσταση του αγωγού σύνδεσης με το δίκτυο .....	29
9. Καθαρισμός, συντήρηση και παραγγελία ανταλλακτικών .....	29
10. Φύλαξη .....	29
11. Διάθεση στα απορρίμματα και επαναχρησιμοποίηση.....	30
12. Δήλωση Συμμόρφωσης.....	31
13. Εγγύηση .....	32

Η ανατύπωση ή οποιασδήποτε άλλης μορφής αναπαραγωγή της τεκμηρίωσης ή άλλων δικαιολογητικών που αναφέρονται στα προϊόντα, ακόμη και αποσπασματικά, επιτρέπεται μόνο με ρητή συγκατάθεση της iSC GmbH.

Με επιφύλαξη τεχνικών τροποποιήσεων



GR/CY



**Προειδοποίηση** – Για τη μείωση του κινδύνου τραυματισμού διαβάστε την Οδηγία χρήσης



**Να χρησιμοποιείτε ωτοασπίδες.** Η επίδραση του θορύβου μπορεί να προκαλέσει την απώλεια της ακοής.



**Να χρησιμοποιείτε μάσκα προστασίας από σκόνη.** Κατά την επεξεργασία ξύλου και άλλων υλικών δεν αποκλείεται η δημιουργία επιβλαβούς για την υγεία σκόνης. Δεν επιτρέπεται η επεξεργασία υλικών που περιέχουν αμίαντο!



**Να φοράτε οπωσδήποτε προστατευτικά γυαλιά.** Οι σπινθήρες που δημιουργούνται κατά την εργασία ή τα εκσφενδονιζόμενα κομμάτια, ροκανίδια και σκόνες μπορούν να προκαλέσουν απώλεια της όρασης.

## 1. Εισαγωγή

Συγχαρητήρια για την αγορά της νέας συσκευής σας.

Προτιμήσατε να αγοράσετε ένα προϊόν ανώτερης ποιότητας. Οι οδηγίες χρήσης αποτελούν αναπόσπαστο μέρος αυτού του προϊόντος. Περιέχουν σημαντικές υποδείξεις για την ασφάλεια, τη χρήση και διάθεση της συσκευής. Πριν τη χρήση του προϊόντος να εξοικειωθείτε με όλες τις οδηγίες χειρισμού και τις υποδείξεις ασφαλείας. Να χρησιμοποιείτε το προϊόν μόνο όπως περιγράφεται και μόνο για τον αναφερόμενο σκοπό. Να παραδώσετε όλες τις οδηγίες και υποδείξεις μαζί με το προϊόν εάν το δώσετε σε τρίτα πρόσωπα.

## 2. Υποδείξεις ασφαλείας

### ⚠ Προσοχή!

**Διαβάστε όλες τις Υποδείξεις ασφαλείας και τις Οδηγίες.** Εάν δεν ακολουθήσετε τις Υποδείξεις ασφαλείας και τις Οδηγίες δεν αποκλείονται ηλεκτροπληξία, πυρκαγιά και/ή σοβαροί τραυματισμοί. **Φυλάξτε προσεκτικά όλες τις Υποδείξεις ασφαλείας και τις Οδηγίες για το μέλλον.**

**Υποδείξεις ασφαλείας Προσοχή!** Κατά την χρήση ηλεκτρικών συσκευών πρέπει για την προστασία σας από ηλεκτροπληξία, τραυματισμό και πυρκαγιά να προσέξετε τις ακόλουθες βασικές υποδείξεις ασφαλείας. Παρακαλούμε να διαβάσετε και να προσέξετε τις υποδείξεις πριν χρησιμοποιήσετε τη συσκευή και να τις φυλάξετε προσεκτικά.

### 1. Να τηρείτε τάξη στη θέση εργασίας σας

- Εάν δεν υπάρχει τάξη, υφίσταται μεγαλύτερος κίνδυνος ατυχημάτων.

### 2. Να λαμβάνετε υπόψη σας τη θερμοκρασία περιβάλλοντος

- Μην εκθέτετε τις ηλεκτρικές συσκευές σε βροχή. Ποτέ μη χρησιμοποιείτε τα ηλεκτρικά εργαλεία σε υγρό περιβάλλον. Φροντίστε για καλό φωτισμό. Μη χρησιμοποιείται τα ηλεκτρικά εργαλεία κοντά σε εύφλεκτα υγρά ή αέρια.

### 3. Προστατευθείτε από ηλεκτροπληξία

- Να αποφεύγετε κάθε επαφή του σώματος με γειωμένα εξαρτήματα, για παράδειγμα με σωλήνες, καλοριφέρ, εστίες, ψυγεία.

### 4. Να κρατάτε μακριά τα παιδιά!

- Μην αφήνετε άλλα άτομα να έρχονται σε επαφή με το εργαλείο ή το καλώδιο, κρατάτε τα μακριά από την περιοχή εργασίας.

### 5. Τα εργαλεία σας να φυλάσσονται σε ασφαλή χώρο.

- Όταν δεν χρησιμοποιείτε τα εργαλεία, να τα φυλάγετε σε στεγνό χώρο που κλειδώνεται, μακριά από παιδιά.

### 6. Μην υπερφορτώνετε τα εργαλεία σας

- Εργάζεστε καλύτερα και ασφαλέστερα στο αναφερόμενο πεδίο ισχύος.

### 7. Να χρησιμοποιείτε τα σωστά εργαλεία

- Μη χρησιμοποιείτε αδύναμες μηχανές ή συσκευές για βαριές εργασίες. Μη χρησιμοποιείτε τα εργαλεία για σκοπούς και εργασίες για τους οποίους δεν προορίζονται, π.χ. μη χρησιμοποιείτε ένα δισκοπρίονο χεριού για να κόψετε δέντρα ή χοντρά κλαδιά.

### 8. Να φοράτε κατάλληλα ρούχα εργασίας

- Μη φοράτε φαρδιά ρούχα ή κοσμήματα. Θα μπορούσαν να πιαστούν από κινούμενα τμήματα. Σε εργασίες στο ύπαιθρο συνιστώνται λαστιχένια γάντια και αντιολισθητικά παπούτσια. Εάν έχετε μακριά μαλλιά να φοράτε ένα δίχτυ.

**9. Να χρησιμοποιείτε προστατευτικά γυαλιά**

- Να χρησιμοποιείτε αναπνευστική μάσκα σε εργασίες κατά τη διάρκεια των οποίων δημιουργείται σκόνη.

**10. Μη χρησιμοποιείτε το καλώδιο για μη ενδεδειγμένη χρήση.**

- Μη μεταφέρετε το εργαλείο κρατώντας το από το καλώδιο και μη χρησιμοποιείτε το καλώδιο για να τραβήξετε το βύσμα από την πρίζα. Να προστατεύετε το καλώδιο από ψηλές θερμοκρασίες, λάδι και αιχμηρά αντικείμενα.

**11. Να ασφαρίζετε το κατεργαζόμενο αντικείμενο**

- Να χρησιμοποιείτε συστήματα συγκράτησης ή μία μέγγενη για τη συγκράτηση του κατεργαζόμενου αντικείμενου. Έτσι συγκρατιέται ασφαλέστερα παρά με το χέρι σας και σας επιτρέπεται ο χειρισμός της μηχανής με δύο χέρια.

**12. Να προσέχετε την ευστάθειά σας**

- Να αποφεύγετε μη φυσιολογική στάση του σώματος. Φροντίστε να στέκεστε σταθερά και να κρατάτε πάντα την ισορροπία σας.

**13. Να φροντίζετε τα εργαλεία σας**

- Να διατηρείτε τα εργαλεία σας τροχισμένα και καθαρά για να μπορείτε να εργάζεστε με ασφάλεια. Να ακολουθείτε τις προδιαγραφές συντήρησης και τις υποδείξεις για αλλαγή του εργαλείου. Να ελέγχετε τακτικά το βύσμα και το καλώδιο και σε περίπτωση ελαττωμάτων να αντικαθίστανται από αναγνωρισμένο και ειδικευμένο τεχνίτη. Να ελέγχετε τακτικά το καλώδιο επέκτασης (μπαλαντέζα) που να αντικαθίσταται εάν είναι ελαττωματικό. Να διατηρείτε τις χειρολαβές στεγνές και ελεύθερες από λάδια και λίπη.

**14. Να βγάζετε το φως από την πρίζα**

- Όταν δεν χρησιμοποιείτε τη συσκευή, σε εργασίες συντήρησης και κατά την αλλαγή εργαλείων, όπως για

παράδειγμα πριονόλαμα, τρυπάνι ή εργαλεία παντός είδους.

**15. Μη αφήνετε το κλειδί πάνω στο εργαλείο**

- Πριν την ενεργοποίηση να ελέγχετε, εάν έχουν απομακρυνθεί τα κλειδιά και εργαλεία ρύθμισης.

**16. Να αποφεύγετε την αθέλητη εκκίνηση**

- Μη μεταφέρετε εργαλεία συνδεδεμένα με το ρεύμα κρατώντας το δάκτυλό σας στο διακόπτη. Σιγουρευτείτε πως ο διακόπτης είναι απενεργοποιημένος κατά τη σύνδεση με το ρεύμα δικτύου.

**17. Μπαλαντέζες στο ύπαιθρο**

- Στο ύπαιθρο να χρησιμοποιείτε μόνο τα για το σκοπό αυτό εγκεκριμένα καλώδια επέκτασης με την ανάλογη σήμανση.

**18. Να είστε πάντα προσεκτικοί**

- Να παρατηρείτε την εργασία σας. Να εργάζεστε συνετά. Μη χρησιμοποιείτε τα εργαλεία όταν δεν είστε συγκεντρωμένοι.

**19. Να ελέγχετε τον συμπίεστή για ζημιές**

- Πριν από περαιτέρω χρήση του εργαλείου να ελέγχονται προσεκτικά τα συστήματα ασφαλείας ή ελαφρά ελαττωματικά τμήματα για την άψογη λειτουργία τους σύμφωνα με το σκοπό για τον οποίο προορίζονται. Ελέγξτε εάν λειτουργούν άψογα και δεν μπλοκάρουν όλα τα κινούμενα τμήματα ή εάν ορισμένα τμήματα έχουν ζημιές. Όλα τα τμήματα πρέπει να είναι σωστά τοποθετημένα ώστε να εξασφαλίζεται η ασφάλεια της συσκευής. Τα ελαττωματικά συστήματα ασφαλείας και τα ελαττωματικά εξαρτήματα πρέπει να επισκευάζονται ή να αντικαθίστανται σωστά από αναγνωρισμένο εξειδικευμένο συνεργείο εάν δεν αναφέρεται κάτι διαφορετικό στις Οδηγίες χρήσης. Οι ελαττωματικοί διακόπτες να αντικαθίστανται

σε συμβεβλημένο συνεργείο. Μη χρησιμοποιείτε εργαλεία, στα οποία ο διακόπτης δεν ενεργοποιείται και δεν απενεργοποιείται.

#### 20. Προσοχή!

- Για τη δική σας ασφάλεια να χρησιμοποιείτε μόνο εξαρτήματα και πρόσθετες συσκευές που αναφέρονται στις Οδηγίες χρήσης ή που συνιστώνται ή αναφέρονται από τον κατασκευαστή του εργαλείου. Η χρήση άλλων εργαλείων ή εξαρτημάτων από αυτών που αναφέρονται στις Οδηγίες χρήσης ή στον κατάλογο μπορούν να αποτελέσουν κίνδυνο για τη σωματική σας ακεραιότητα.

#### 21. Επισκευές από ειδικευμένο ηλεκτρολόγο

Αυτό το εργαλείο ανταποκρίνεται στις σχετικές διατάξεις ασφαλείας. Οι επισκευές επιτρέπεται να εκτελούνται μόνο από ειδικευμένους ηλεκτρολόγους, διαφορετικά δεν αποκλείονται τραυματισμοί του χειριστή.

#### 22. Συνδέστε το σύστημα αναρρόφησης σκόνης

- Εάν υπάρχουν συστήματα για τη σύνδεση συσκευών αναρρόφησης της σκόνης, σιγουρευτείτε πως είναι συνδεδεμένες και χρησιμοποιούνται.

#### Γενικές υποδείξεις ασφαλείας και προστασία από ατυχήματα

Με το εργαλείο αυτό εργάζεστε ακίνδυνα και χωρίς τραυματισμούς μόνο εφόσον διαβάσετε πλήρως και ακολουθήσετε τις υποδείξεις ασφαλείας και τις οδηγίες χρήσης.

- Πριν από κάθε χρήση ελέγξτε τη συσκευή, το καλώδιο και το βύσμα. Να εργάζεστε μόνο όταν η συσκευή είναι σε άψογη κατάσταση χωρίς καμία βλάβη. Τα ελαττωματικά τμήματα να αντικαθίστανται αμέσως από ειδικευμένο ηλεκτρολόγο.

- Πριν από όλες τις εργασίες στη μηχανή και πριν από αλλαγή εξαρτημάτων αλλά και σε περίπτωση μη χρήσης να βγάζετε το βύσμα από την πρίζα!
- Προς αποφυγή ζημιών στο καλώδιο να έχετε το καλώδιο πάντα πίσω από τη μηχανή.
- Τα εργαλεία να φυλάσσονται σε ασφαλές μέρος μακριά από παιδιά.

#### Δεν επιτρέπεται η επεξεργασία υλικών που περιέχουν αμιάντο!

- Να τηρείτε τη σχετική διάταξη πρόληψης ατυχημάτων (VBG 119) του επαγγελματικού συνεταιρισμού.
- Να χρησιμοποιείτε μόνο γνήσια ανταλλακτικά.
- Οι επισκευές επιτρέπεται να εκτελούνται μόνο από εξειδικευμένο ηλεκτρολόγο.
- Η εκπομπή ήχου στη θέση εργασίας μπορεί να υπερβαίνει τα 85dB(A). Στην περίπτωση αυτή απαιτούνται μέτρα ηχοπροστασίας και ωτοασπίδες για τον χρήστη. Η εκπομπή θορύβων αυτού του ηλεκτρικού εργαλείου μετρείται με βάση το IEC 59 CO 11, IEC 704, DIN 45635 τμήμα 21, NFS 31-031 (84/537/ EOK).
- Κατά την εργασία να προσέχετε πάντα την ευστάθειά σας. Να αποφεύγετε μη φυσιολογικές στάσεις του σώματος.
- Μην εκθέτετε την ηλεκτρική σας συσκευή σε βροχή. Μη χρησιμοποιείται τα ηλεκτρικά εργαλεία σε υγρό περιβάλλον ή κοντά σε εύφλεκτα υγρά.
- Να προστατεύετε το καλώδιο από ζημιά από λάδι, διαλύτες και αιχμηρές γωνίες.
- Να κρατάτε τη θέση εργασίας πάντα τακτική.
- Σιγουρευτείτε πως ο διακόπτης είναι απενεργοποιημένος κατά τη σύνδεση με το ρεύμα δικτύου.
- Να φοράτε πάντα τον κατάλληλο ρουχισμό εργασίας. Μη φοράτε φαρδιά ρούχα και κοσμήματα. Εάν έχετε μακριά μαλλιά να φοράτε ένα δίχτυ.



- Για τη δική σας ασφάλεια να χρησιμοποιείτε μόνο ανταλλακτικά και πρόσθετες συσκευές του κατασκευαστή του εργαλείου.
- Κατά το τρόχισμα να φοράτε πάντα προστατευτικά γυαλιά, προστατευτικά γάντια και ωτοασπίδες.
- Ελέγξτε εάν ο αριθμός στροφών που αναφέρεται στο δίσκο είναι ίσος ή μεγαλύτερος από τον αριθμό στροφών μέτρησης του τροχιστικού.
- Σιγουρευτείτε πως οι διαστάσεις του δίσκου ταιριάζουν στο τροχιστικό.
- Οι δίσκοι πρέπει να φυλάσσονται και να χειρίζονται προσεκτικά σύμφωνα με τις οδηγίες του κατασκευαστή. Να ελέγχετε τους δίσκους πριν τη χρήση τους. Μη χρησιμοποιείτε σπασμένα ή ελαττωματικά προϊόντα.
- Να προσέχετε να χρησιμοποιούνται μόνο λιπαντικοί δίσκοι και βούρτσες με αριθμό στροφών τουλάχιστον όσο και αυτόν που αναγράφεται στην ετικέτα στοιχείων του ηλεκτρικού εργαλείου.
- Σιγουρευτείτε πως τα εργαλεία τροχίσματος έχουν τοποθετηθεί σύμφωνα με τις οδηγίες του κατασκευαστή.
- Φροντίστε να χρησιμοποιούνται ενδιάμεσες στρώσεις εφόσον διατίθενται με το εργαλείο τροχίσματος και απαιτούνται για τη χρήση του.
- Φροντίστε να τοποθετηθούν και να στερεωθούν τα εργαλεία τροχίσματος σωστά πριν τη χρήση. Αφήστε το εργαλείο να λειτουργήσει πρώτα με ασφάλεια χωρίς φορτίο επί 5 λεπτά. Διακόψτε αμέσως τη λειτουργία εάν παρουσιαστούν πολλές δονήσεις ή εάν διαπιστώσετε άλλα ελαττώματα. Στην περίπτωση αυτή ελέγξτε τη μηχανή για να εντοπίσετε την αιτία.
- Ποτέ μη χρησιμοποιείτε το ηλεκτρικό εργαλείο χωρίς το συμπαραδιδόμενο προστατευτικό κάλυμμα.
- Μη χρησιμοποιείτε χωριστούς συνδέσμους ή προσαρμογείς για να προσαρμόσετε δίσκους με μεγάλη

τρύπα.

- Φροντίστε να μην είναι δυνατόν να προκαλέσουν κίνδυνο οι κατά τη χρήση σχηματιζόμενοι σπινθήρες, π.χ. να μη μπορούν να πέσουν πάνω σε άτομα ή να αναφλέξουν εύφλεκτα υλικά.
- Να χρησιμοποιείτε πάντα προστατευτικά γυαλιά και ωτοασπίδες. Εάν χρειαστεί να χρησιμοποιείτε και άλλα μέσα ατομικής προστασίας, όπως γάντια, ποδιά και κράνος.
- Το κατεργαζόμενο αντικείμενο θερμαίνεται πολύ κατά το τρόχισμα.

#### **Προσοχή! Κίνδυνος εγκαύματος!**

Αφήστε το αντικείμενο να κρυώσει. Το υλικό μπορεί να πυρακτωθεί κατά το τρόχισμα. Σε περίπτωση επεξεργασίας μεγαλύτερης διάρκειας, να κρύνετε στο ενδιάμεσο το αντικείμενο που επεξεργάζεστε.

- Μη χρησιμοποιείτε ψυκτικά μέσα ή παρόμοια υλικά.

#### **Ειδικές Υποδείξεις ασφαλείας**

1. Πριν τη θέση σε λειτουργία του τροχιστικού να κάνετε δοκιμή ήχου στα εργαλεία τροχίσματος (τα άψογα εργαλεία τροχίσματος έχουν καθαρό ήχο όταν τα κτυπήσετε ελαφρά - με πλαστικό σφυρί). Αυτό ισχύει και σε περίπτωση χρήσης νέων τροχιστικών υλικών (ζημιά από μεταφορά). Να γίνει οπωσδήποτε δοκιμαστική λειτουργία χωρίς φορτίο επί τουλάχιστον 5 λεπτά. Κατά τη διάρκεια της δοκιμαστικής λειτουργίας να απομακρυνθείτε από το επικίνδυνο πεδίο.
2. Επιτρέπεται μόνο η χρήση εργαλείων τροχίσματος που φέρουν στοιχεία του κατασκευαστή, του είδους σύνδεσης, των διαστάσεων και του επιτρεπόμενου αριθμού στροφών.
3. Τα εργαλεία τροχίσματος να φυλάσσονται σε χώρους με όσο πιο σταθερή θερμοκρασία γίνεται.



4. Για τη σύσφιξη των εργαλείων τροχίσματος να χρησιμοποιούνται μόνο οι συμπαραδιδόμενες φλάντζες σύσφιξης.
5. Για τη σύσφιξη των εργαλείων τροχίσματος να χρησιμοποιείτε μόνο φλάντζες σύσφιξης ίδιου μεγέθους και ίδιου σχήματος. Οι ενδιάμεσες στρώσεις μεταξύ φλάντζας σύσφιξης και εργαλείου τροχίσματος να αποτελούνται από ελαστικά υλικά π.χ. λάστιχο, μαλακό χαρτόνι κλπ.
6. Να μην ανοιχτεί εκ των υστέρων η οπή υποδοχής των εργαλείων τροχίσματος.
7. Οι επιφάνειες εναπόθεσης του κατεργαζόμενου αντικειμένου και τα επάνω ρυθμιζόμενα τμήματα των προστατευτικών καλυμμάτων να τοποθετούνται πάντα όσο πιο κοντά γίνεται στα εργαλεία τροχίσματος (μέγ. απόσταση 2 mm).
8. Τα εργαλεία λείανσης να μη λειτουργούν χωρίς προστατευτικά μέσα. Να μη γίνεται ποτέ υπέρβαση των ακόλουθων αποστάσεων:
  - επιφάνεια εναπόθεσης αντικειμένου/ δίσκος τροχίσματος: μέγ. 2 mm
  - προστατευτικό κάλυμμα/λειαντικός δίσκος: μέγ. 2 mm
9. Πριν την έναρξη της χρήσης του δίδυμου τροχιστικού πρέπει να τοποθετούνται το προστατευτικό στήριγμα, η επιφάνεια εναπόθεσης του κατεργαζόμενου αντικειμένου και η προστασία όρασης.
10. Σε περίπτωση αλλαγής του δίσκου λείανσης να βγάζετε προηγουμένως το φιν από την πρίζα.
11. Η μέγιστη περιμετρική ταχύτητα του δίσκου στεγνού τροχίσματος ανέρχεται σε: 23,17 m/s
$$m/s = (d \times 3,14 \times n) / (60 \times 1000)$$

d = διάμετρος του δίσκου τροχίσματος σε mm  
n = αριθμός στροφών του κινητήρα ανά λεπτό
12. Μέγ. επιτρεπτή θερμοκρασία του περιβλήματος του κινητήρα: 80°C
13. Πριν την έναρξη της εργασίας να βιδώσετε το τροχιστικό με τον πάγκο εργασίας κλπ. στις 4 οπές στερέωσης στην πλάκα.
14. Η ασπίδα κατά σπινθήρων να ρυθμίζεται κατά διαστήματα έτσι ώστε να γίνεται ομοιόμορφη φθορά του, όπου η απόσταση μεταξύ της ασπίδας κατά σπινθήρων και του δίσκου να είναι όσο λιγότερη γίνεται και σε καμία περίπτωση άνω των 2mm.
15. Το αργότερο από τη στιγμή που η ασπίδα κατά σπινθήρων και η επιφάνεια εναπόθεσης του κατεργαζόμενου αντικειμένου δεν μπορούν να τοποθετηθούν πλέον σε μέγ. απόσταση 2 mm από τον δίσκο τροχίσματος, πρέπει να αντικατασταθεί ο δίσκος τροχίσματος.

**Να φυλάξετε καλά αυτές τις οδηγίες χρήσης.**

### **3. Περιγραφή της συσκευής και συμπαραδιδόμενα**

#### **3.1 Περιγραφή της συσκευής (εικ. 1/3/6/8/11)**

1. Διακόπτης ενεργοποίησης/ απενεργοποίησης
2. Προστατευτικό γυαλί
3. Προστασία από σπινθήρες
4. Προστατευτικό κάλυμμα
5. Δίσκος λείανσης
6. Βίδα-αστέρι θέση για κατεργαζόμενο αντικείμενο
7. Θέση για κατεργαζόμενο αντικείμενο
8. Τρύπες στερέωσης
9. Βάση
10. Βίδα ρύθμισης για την προστασία από σπινθήρες
11. Ταινία λείανσης
12. Βίδα τάνυσης για το επάνω ρολό της ταινίας
13. Μοχλός τάνυσης





14. Βίδες στερέωσης για το πλαϊνό κάλυμμα
15. Βίδα προσαρμογής ρύθμισης ταινίας

### 3.2 Συμπαραδιδόμενα

- Ανοίξτε τη συσκευασία και βγάλτε προσεκτικά τη συσκευή.
- Απομακρύντε τα υλικά συσκευασίας καθώς και τα συστήματα προστασίας της συσκευασίας / μεταφοράς (εάν υπάρχουν).
- Ελέγξτε εάν είναι πλήρες το περιεχόμενο.
- Ελέγξτε τη συσκευή και τα αξεσουάρ για ενδεχόμενες ζημιές από τη μεταφορά.
- Φυλάξτε τη συσκευασία αν γίνεται μέχρι την πάροδο της προθεσμίας της εγγύησης.

#### Προσοχή!

Η συσκευή και τα υλικά συσκευασίας δεν είναι παιχνίδια! Τα παιδιά δεν επιτρέπεται να παίζουν με πλαστικές σακούλες, πλαστικές μεμβράνες και μικροαντικείμενα! Υφίσταται κίνδυνος κατάποσης και ασφυξίας!

- Πρωτότυπες Οδηγίες χρήσης

## 4. Ενδεδεδειγμένη χρήση

Ο λειαντήρας είναι ένας συνδυασμός συσκευής για χοντρή και λεπτή λείανση μετάλλων, ξύλων παντός είδους και άλλων υλικών με χρήση του ανάλογου δίσκου λείανσης ή ταινίας λείανσης. Επιτρέπεται μόνο η χρήση δίσκων λείανσης κατάλληλων για τη μηχανή αυτή που ανταποκρίνονται στα χαρακτηριστικά στοιχεία αυτών των οδηγιών χρήσης.

Η μηχανή να χρησιμοποιείται μόνο για το σκοπό για τον οποίο προορίζεται! Παρ'όλη την ενδεδεδειγμένη χρήση δεν μπορούν να αποκλειστούν τελείως ορισμένοι κίνδυνοι. Εξαιτίας της κατασκευής και της δομής της

μηχανής δεν αποκλείονται τα εξής:

- Επαφή του δίσκου σε μη καλυμμένα σημεία.
- Εκσφενδονισμός τμημάτων από ελαττωματικούς δίσκους.
- Εκσφενδονισμός κατεργαζόμενων αντικειμένων ή τμημάτων τους.
- Βλάβη της ακοής όταν δεν χρησιμοποιούνται οι απαιτούμενες ωτοασπίδες.
- Επιβλαβείς για την υγεία εκπομπές σκόνης ξύλου κατά τη χρήση σε κλειστούς χώρους.
- Τα περιστρεφόμενα τμήματα της συσκευής δεν καλύπτονται για λειτουργικούς λόγους. Για το λόγο αυτό να εργάζεστε πολύ προσεκτικά, να κρατάτε καλά το κατεργαζόμενο αντικείμενο για να αποφύγετε το γλίστρημά του, που θα μπορούσε να έχει σαν συνέπεια την επαφή των χεριών σας με την ταινία λείανσης.

Η μηχανή επιτρέπεται να χρησιμοποιηθεί μόνο για τον σκοπό για τον οποίο προορίζεται. Κάθε πέραν τούτου χρήση δεν ανταποκρίνεται στο σκοπό για τον οποίο προορίζεται. Για βλάβες που οφείλονται σε παρόμοια χρήση ή για τραυματισμούς παντός είδους ευθύνεται ο χρήστης/χειριστής και όχι ο κατασκευαστής.

Παρακαλούμε να προσέξετε πως οι συσκευές μας δεν προορίζονται και δεν έχουν κατασκευαστεί για επαγγελματική, βιοτεχνική ή βιομηχανική χρήση. Δεν αναλαμβάνουμε εγγύηση σε περίπτωση κατά την οποία η συσκευή χρησιμοποιήθηκε σε συνεργεία, βιοτεχνίες ή στη βιομηχανία ή σε εργασίες παρόμοιες με αυτές.

## 5. Τεχνικά χαρακτηριστικά

Ονομαστική τάση: ..... 230 V ~ 50 Hz  
 Απορροφούμενη ισχύς: ...240 W S2 30 min  
 Λειτουργία ρελαντί  $n_0$ : ..... 2950 min<sup>-1</sup>  
 $\varnothing$  δίσκου λείανσης: ..... 150 mm  
 Πάχος δίσκου: ..... 20 mm  
 $\varnothing$  τρύπας δίσκου λείανσης: ..... 12,7 mm  
 Μεγ. περιμετρική ταχύτητα: ..... 23,17 m/s  
 Ταχύτητα ταινίας: ..... 900 m/min  
 Ταινία λείανσης: ..... 50 x 686 mm  
 Βάρος ..... 7,2 kg

### Διάρκεια ενεργοποίησης:

Η διάρκεια ενεργοποίησης S2 30 λεπτά (σύντομη λειτουργία) σημαίνει, πως ο κινητήρας με την ονομαστική τάση (240 Watt) επιτρέπεται να χρησιμοποιηθεί συνεχώς μόνο για τη διάρκεια που αναφέρεται στην πινακίδα με τα στοιχεία (30 λεπτά). Διαφορετικά θα ζεσταθεί υπερβολικά, πράγμα που δεν επιτρέπεται. Κατά τη διάρκεια του διαλείμματος κρυνώνε ο κινητήρας και επανέρχεται στην αρχική του θερμοκρασία.

### Θόρυβος και δονήσεις

Οι τιμές θορύβων και δονήσεων διαπιστώθηκαν σύμφωνα με το πρότυπο EN 61029.

Στάθμη ηχητικής πίεσης  $L_{pA}$  .....89 dB(A)  
 Αβεβαιότητα  $K_{pA}$  ..... 3 dB  
 Στάθμη ηχητικής ισχύος  $L_{WA}$  .....102 dB(A)  
 Αβεβαιότητα  $K_{WA}$  ..... 3 dB

### Να χρησιμοποιείτε ηχοπροστασία.

Η επίδραση θορύβου μπορεί να έχει σαν συνέπεια την απώλεια της ακοής.

Συνολικές τιμές ταλαντώσεων (σύνολο διανυσμάτων τριών κατευθύνσεων) σύμφωνα με το πρότυπο EN 61029.

Εκπομπή δονήσεων  $a_h \leq 2,5 \text{ m/s}^2$   
 Αβεβαιότητα  $K = 1,5 \text{ m/s}^2$

### Προσοχή!

Η αναφερόμενη τιμή μετάδοσης δόνησης μετρήθηκε βάσει τυποποιημένης μεθόδου ελέγχου και μπορεί να μεταβληθεί ή και σε εξαιρετικές περιπτώσεις να κυμαίνεται άνω της αναφερόμενης τιμής, ανάλογα από τον τρόπο χρήσης του ηλεκτρικού εργαλείου.

Η αναφερόμενη μετάδοση δονήσεων μπορεί να χρησιμοποιηθεί και για σύγκριση με άλλο ηλεκτρικό εργαλείο.

Η αναφερόμενη τιμή μετάδοσης δόνησης μπορεί επίσης να χρησιμοποιηθεί και για αρχική εκτίμηση της έκθεσης.

### Περιορίστε την δημιουργία θορύβου και τις δονήσεις στο ελάχιστο!

- Να χρησιμοποιείτε μόνο συσκευές σε άψογη κατάσταση.
- Να συντηρείτε και να καθαρίζετε τακτικά τη συσκευή.
- Να προσαρμόζετε στη συσκευή τον τρόπο εργασίας σας.
- Προσέξτε να μην υπερφορτώνετε τη συσκευή.
- Αφήστε τη συσκευή νδεχομένως να ελεγχθεί από ειδικό τεχνίτη.
- Να απενεργοποιείτε τη συσκευή όταν δεν την χρησιμοποιείτε.
- Να φοράτε γάντια.

### Υπολειπόμενοι κίνδυνοι

**Ακόμη και σε περίπτωση σωστής και κανονικής χρήσης αυτού του ηλεκτρικού εργαλείου, υφίστανται πάντα ορισμένοι υπολειπόμενοι κίνδυνοι. Οι ακόλουθοι κίνδυνοι μπορούν να παρουσιαστούν ανάλογα με το είδος κατασκευής και το μεντέλο αυτού του ηλεκτρικού εργαλείου:**

1. Βλάβες πνευμόνων, εάν δεν χρησιμοποιηθούν κατάλληλες μάσκες προστασίας από σκόνη.
2. Βλάβες της ακοής, εάν δεν χρησιμοποιηθεί κατάλληλη ηχοπροστασία.



3. Βλάβες της υγείας που προκαλούνται από δονήσεις χεριού-βραχίονα, εάν η συσκευή χρησιμοποιηθεί για μεγαλύτερο χρονικό διάστημα ή δεν τηρείται και δεν συντηρείται σωστά.

## 6. Πριν τη θέση σε λειτουργία

Πριν τη σύνδεση σιγουρευτείτε πως τα στοιχεία στην ετικέτα του συμφωνούν με τα στοιχεία του δικτύου.

**Πριν κάνετε ρυθμίσεις στη συσκευή να βγάξετε πάντα το βύσμα από την πρίζα.**

- Η μηχανή πρέπει να τοποθετηθεί έτσι ώστε να έχει απόλυτη ευστάθεια, δηλ. να βιδωθεί σε πάγκο εργασίας, σε βάση ή κάτι παρόμοιο.
- Πριν τη θέση σε λειτουργία πρέπει να έχουν τοποθετηθεί σωστά όλα τα καλύμματα και οι διατάξεις ασφαλείας.
- Οι δίσκοι τροχίσματος πρέπει να μπορούν να περιστρέφονται ελεύθερα.

### 6.1 Τοποθέτηση της ασπίδας σπινθήρων (εικ. 1/3/4/5)

- Περάστε την ασπίδα κατά σπινθήρων (3) κάτω από το προστατευτικό κάλυμμα (4). Βιδώστε την ασπίδα κατά των σπινθήρων (3) με τη βίδα ρύθμισης (10) στο προστατευτικό κάλυμμα (4).
- Για το σκοπό αυτό χρησιμοποιήστε τη βίδα (10) με τον ελατηριωτό δακτύλιο (a), τη ροδέλα (b) και το παξιμάδι (c) που στερεώνονται στην ασπίδα για τους σπινθήρες (3). Για την συναρμολόγηση χρειάζεστε ένα κατσαβίδι και ένα κλειδί σαν αντιστήριγμα (εικ. 3).
- Ρυθμίστε την ασπίδα κατά σπινθήρων (3) με τη βίδα ρύθμισης (10) έτσι, ώστε η απόσταση μεταξύ του δίσκου στεγνής λείανσης (5) και της ασπίδας σπινθήρων (3) να είναι όσο πιο μικρή γίνεται, οπωσδήποτε όχι μεγαλύτερη από 2mm.

- Να ρυθμίζετε κατά διαστήματα την ασπίδα κατά σπινθήρων έτσι ώστε η φθορά του δίσκου να γίνεται ομοιόμορφα.

### 6.2 Τοποθέτηση των θέσεων εναπόθεσης του κατεργαζόμενου αντικειμένου (εικ. 1/6/6a/αρ. 7)

- Βιδώστε τις θέσεις εναπόθεσης του κατεργαζόμενου αντικείμενου (7) με τις βίδες-αστέρια (6) πάνω στον τροχό.
- Για το σκοπό αυτό περάστε τη βίδα (a) από την εσοχή στην οποία θα στερεωθεί η θέση εναπόθεσης (7). Τοποθετήστε πρώτα τη θέση εναπόθεσης κατεργαζόμενου αντικείμενου (7), κατόπιν τη ροδέλα (b) και την οδοντωτή ροδέλα (c). Στο τέλος τοποθετείται και βιδώνεται η βίδα-αστέρι (6).

### 6.3 Ρύθμιση των επιφανειών εναπόθεσης κατεργαζόμενων αντικειμένων (εικ. 7/αρ. 7)

- Ρυθμίστε τις επιφάνειες εναπόθεσης (7) με τη βοήθεια των βιδών στερέωσης (6) έτσι, ώστε η απόσταση μεταξύ του δίσκου στεγνής λείανσης (5) και της επιφάνειας εναπόθεσης του κατεργαζόμενου αντικείμενου (7) να είναι όσο πιο μικρή γίνεται και οπωσδήποτε όχι άνω των 2 χιλιοστών.
- Κατά διαστήματα να ρυθμίζετε τις επιφάνειες εναπόθεσης (7) έτσι, ώστε να εξισορροπείται η φθορά του δίσκου στεγνής λείανσης (5).



#### 6.4 Αλλαγή του δίσκου λείανσης (εικ. 1/8/9/10)

Αφαιρέστε τις 3 βίδες (14) του προστατευτικού πλευρικού τμήματος (B) του δίσκου λείανσης και απομακρύνετε τον δίσκο λείανσης (εικ. 8). Κατόπιν αφαιρέστε τις βίδες (14) του προστατευτικού πλευρικού τμήματος (F) της λειαντικής ταινίας και απομακρύντε την (εικ. 1). Λασκάρτε το παξιμάδι (εικ. 9/D) **(Προσοχή, ο δίσκος λείανσης είναι βιδωμένος με αριστερόστροφο σπειρώμα)**, αντιστηρίζοντας το παξιμάδι (εικ. 9a/E) του απέναντι τροχού της ταινίας λείανσης. Κατόπιν αφαιρέστε τη φλάντζα (C). Τώρα μπορείτε να αντικαταστήσετε τον δίσκο λείανσης (5). Η τοποθέτηση γίνεται με τη βοήθεια ενός πανιού. Τοποθετήστε τη φλάντζα (C) στον άξονα και βιδώστε το παξιμάδι (D) με το χέρι (εικ. 10). Για να σφίξετε το παξιμάδι (D) κρατήστε τον δίσκο λείανσης (5) με ένα πανί και βιδώστε το παξιμάδι (D) (εικ. 10).

#### 6.5 Αλλαγή της ταινίας λείανσης (εικ. 1/11)

- Λασκάρτε τις πέντε βίδες (14) και αφαιρέστε το πλευρικό προστατευτικό κάλυμμα (F). Λασκάρτε τη βίδα τάνυσης για τον επάνω τροχό της ταινίας (12) με μερικές περιστροφές.
- Πιέστε τον μοχλό τάνυσης (13) προς τα κάτω και τραβήξτε την ταινία λείανσης από τους τροχούς.
- Βάλτε την καινούργια ταινία λείανσης (11) στη μέση πάνω στον κάτω και επάνω τροχό και αφήστε ελεύθερο τον μοχλό τάνυσης (13).
- Σφίξτε τώρα τη βίδα τάνυσης (12) και τοποθετήστε το πλαϊνό κάλυμμα.
- Με την πλευρική βίδα ρύθμισης της λειτουργίας της ταινίας (15) μπορείτε να ρυθμίσετε τη λειτουργία της ταινίας λασκάροντας τη βίδα ρύθμισης (15) και ρυθμίζοντας με ένα κατσαβίδι την ακρίβεια λειτουργίας της ταινίας. Συνιστάται να στρέψετε την ταινία λείανσης με το χέρι για καλύτερη

ρύθμιση ακριβείας. Αφού ρυθμίσετε την λειτουργία της ταινίας, σφίξτε με ένα κλειδί το παξιμάδι.

## 7. Χειρισμός

### 7.1 Διακόπτης ενεργοποίησης/ απενεργοποίησης (1)

Για ενεργοποίηση βάλτε το διακόπτη ενεργοποίησης/απενεργοποίησης (1) στην θέση 1.

Για την απενεργοποίηση φέρτε το διακόπτη ενεργοποίησης / απενεργοποίησης (1) στη θέση 0.

Μετά την ενεργοποίηση του πριονιού περιμένετε, μέχρι να φτάσει η συσκευή τον μέγιστο αριθμό στροφών της. Τώρα μπορείτε να αρχίσετε με το τρόχισμα.

### 7.2 Λείανση

- Ακουμπήστε το αντικείμενο στην επιφάνεια εναπόθεσης (7) και οδηγήστε το αργά με την επιθυμούμενη γωνία προς τον δίσκο λείανσης (5), μέχρι να έρθει σε επαφή μαζί της.
- Τώρα κινείτε το αντικείμενο ελαφρά πέρα-δύθε για να επιτύχετε τέλειο αποτέλεσμα λείανσης. Έτσι φθείρεται ο δίσκος λείανσης (5) ομοιόμορφα. Στο ενδιάμεσο αφήστε το αντικείμενο να κρυσώσει λίγο.

### 7.3 Λείανση με ταινία

- Κατά τη διάρκεια της εργασίας να κρατάτε καλά το αντικείμενο που επεξεργάζεστε.
- Μην ασκείτε μεγάλη πίεση.
- Το κατεργαζόμενο αντικείμενο να κινείται κατά τη λείανση στην ταινία λείανσης πέρα-δύθε για να αποφύγετε την μονόπλευρη φθορά του γυαλόχαρτου.
- Προσοχή! Τα ξύλα να λειαινούνται πάντα στην κατεύθυνση των νερών τους για να αποφεύγεται η απόσπαση τεμαχιδίων.

**Προσοχή!**

Εάν κατά την εργασία μπλοκάρει ο τροχός ή η ταινία λείανσης, παρακαλούμε να αφαιρέσετε το αντικείμενο που κατεργάζεστε και να περιμένετε μέχρι να φτάσει η συσκευή και πάλι τον μέγιστο αριθμό περιστροφών της.

**8. Αντικατάσταση του αγωγού σύνδεσης με το δίκτυο**

Εάν πάθει βλάβη το καλώδιο σύνδεση της συσκευής με το δίκτυο, πρέπει προς αποφυγή κινδύνου, να αντικατασταθεί από τον κατασκευαστή ή το τμήμα του εξυπηρέτησης πελατών ή από παρόμοια εξειδικευμένο πρόσωπο.

**9. Καθαρισμός, συντήρηση και παραγγελία ανταλλακτικών**

Πριν από όλες τις εργασίες τοποθέτησης να βγάξετε το φιν από την πρίζα

**9.1 Καθαρισμός**

- Να κρατάτε όσο πιο ελεύθερα από σκόνη και ακαθαρσίες γίνεται τα συστήματα προστασίας, τις σχισμές εξαερισμού και το κέλυφος του μοτέρ. Σκουπίζετε τη συσκευή με ένα καθαρό πανί, ή καθαρίστε το με πεπεισμένο αέρα σε χαμηλή πίεση.
- Συνιστούμε να καθαρίζετε τη συσκευή αμέσως μετά από κάθε χρήση.
- Να καθαρίζετε τη συσκευή τακτικά με ένα νωπό πανί και λίγο μαλακό σαπούνι. Μη χρησιμοποιείτε καθαριστικά ή διαλύτες, γιατί δεν αποκλείεται να καταστρέψουν την επιφάνεια της συσκευής. Προσέξτε να μην περάσει νερό στο εσωτερικό της συσκευής.

**9.2 Συντήρηση**

Στο εσωτερικό της συσκευής δεν υπάρχουν εξαρτήματα που χρειάζονται συντήρηση.

**9.3 Παραγγελία ανταλλακτικών:**

Κατά την παραγγελία ανταλλακτικών να αναφέρετε τα εξής:

- Τύπος της συσκευής
- Αριθμός είδους της συσκευής
- Αριθμός ταύτισης της συσκευής

Θα βρείτε τις ισχύουσες τιμές και πληροφορίες στην ιστοσελίδα [www.isc-gmbh.info](http://www.isc-gmbh.info)

**10. Φύλαξη**

Να διατηρείτε τη συσκευή και ταξεσουάρ της σε σκοτεινό, στεγνό χώρο, χωρίς παγετό, και μακριά από παιδιά. Η ιδανική θερμοκρασία αποθήκευσης είναι μεταξύ 5 και 30 °C. Να φυλάξετε την ηλεκτρική σας συσκευή στην πρωτότυπη συσκευασία της.

## 11. Διάθεση στα απορρίμματα και επαναχρησιμοποίηση

Η συσκευή βρίσκεται σε μία συσκευασία προς αποφυγή ζημιών κατά τη μεταφορά. Αυτή η συσκευασία αποτελείται από πρώτες ύλες και έτσι μπορεί να επαναχρησιμοποιηθεί ή να ανακυκλωθεί. Η συσκευή και τα εξαρτήματά της αποτελούνται από διάφορα υλικά, όπως π.χ. μέταλλο και πλαστικά υλικά. Να παραδίδετε τα ελαττωματικά εξαρτήματα σε κέντρα συλλογής ειδικών απορριμμάτων. Ενημερωθείτε στα ειδικά καταστήματα ή στην διοίκηση της κοινότητας!



Μόνο για κράτη-μέλη της Ε.Ε.

Μη πετάτε τις ηλεκτρικές συσκευές στα οικιακά απορρίμματα!

Σύμφωνα με την ευρωπαϊκή Οδηγία 2002/96/ΕΚ για απόβλητα ειδών ηλεκτρικού και ηλεκτρονικού εξοπλισμού και την ενσωμάτωσή της σε εθνικό δίκαιο, πρέπει η παλιές ηλεκτρικές συσκευές να συγκεντρώνονται και να παραδίδονται για ανακύκλωση φιλική για το περιβάλλον.

Εναλλακτική λύση ανακύκλωσης αντί για επιστροφή  
Ο ιδιοκτήτης της ηλεκτρικής συσκευής υποχρεούται αντί της επιστροφής να συμβάλει στη σωστή ανακύκλωση σε περίπτωση που δεν συνεχίζει να χρησιμοποιεί τη συσκευή. Η παλιά συσκευή μπορεί να παραχωρηθεί σε κέντρο επιστροφής ηλεκτρικών συσκευών με την έννοια των εθνικών νόμων ανακύκλωσης και διαχείρισης αποβλήτων. Δεν συμπεριλαμβάνονται τα τμήματα παλιών συσκευών και τα βοηθητικά στοιχεία χωρίς ηλεκτρικά εξαρτήματα.

## 12. Δήλωση Συμμόρφωσης

<b>Einhell Germany AG · Wiesenweg 22 · D-94405 Landau/Isar</b>		<b>CE</b>	
<b>Konformitätserklärung</b>			
<b>D</b>	erklärt folgende Konformität gemäß EU-Richtlinie und Normen für Artikel	<b>PL</b>	deklaruje zgodność wymienionego poniżej artykułu z następującymi normami na podstawie dyrektywy WE.
<b>GB</b>	explains the following conformity according to EU directives and norms for the following product	<b>BG</b>	декларира съответното съответствие съгласно Директива на ЕС и норми за артикул
<b>F</b>	déclare la conformité suivante selon la directive CE et les normes concernant l'article	<b>LV</b>	paskaidro šādu atbilstību ES direktīvai un standartiem
<b>I</b>	dichiara la seguente conformità secondo la direttiva UE e le norme per l'articolo	<b>LT</b>	apibūdina šį atitikimą EU reikalavimams ir prekės normoms
<b>NL</b>	verklaart de volgende overeenstemming conform EU richtlijn en normen voor het product	<b>RO</b>	declară următoarea conformitate conform directivei UE și normelor pentru articolul
<b>E</b>	declara la siguiente conformidad a tenor de la directiva y normas de la UE para el artículo	<b>GR</b>	δηλώνει την ακόλουθη συμμόρφωση σύμφωνα με την Οδηγία ΕΚ και τα πρότυπα για το προϊόν
<b>P</b>	declara a seguinte conformidade, de acordo com a directiva CE e normas para o artigo	<b>HR</b>	potvrđuje sljedeću usklađenost prema smjernicama EU i normama za artikl
<b>DK</b>	attesterer følgende overensstemmelse i medfør af EU-direktiv samt standarder for artikel	<b>HR</b>	Izjava o sukladnosti za ovaj proizvod dostupna je na internet stranici www.lidl.hr.
<b>S</b>	förklarar följande överensstämmelse enl. EU-direktiv och standarder för artikeln	<b>BIH</b>	potvrđuje sljedeću usklađenost prema smjernicama EU i normama za artikl
<b>FIN</b>	vakuuttaa, että tuote täyttää EU-direktiivin ja standardien vaatimukset	<b>RS</b>	potvrđuje sledeću usklađenost prema smernicama EZ i normama za artikal
<b>EE</b>	tõendab toote vastavust EL direktiivile ja standarditele	<b>RUS</b>	следующим удостоверяется, что следующие продукты соответствуют директивам и нормам ЕС
<b>CZ</b>	vydává následující prohlášení o shodě podle směrnice EU a norem pro výrobek	<b>UKR</b>	проголошує про зазначену нижче відповідність виробу директивам та стандартам ЄС на виріб
<b>SLO</b>	potvrjuje sledečo skladnost s smernico EU in standardi za izdelek	<b>MK</b>	ja изјавува следната сообразност согласно ЕУ-директивата и нормите за артикли
<b>SK</b>	vydáva nasledujúce prehlásenie o zhode podľa smernice EÚ a noriem pre výrobok	<b>TR</b>	Ürünü ile ilgili AB direktifleri ve normları gereğince aşağıda açıklanan uygunluğu belirtir
<b>H</b>	a cikkekhez az EU-irányvonal és Normák szerint a következő konformitást jelenti ki	<b>N</b>	erklærer følgende samsvar i henhold til EU-direktivet og standarder for artikkel
		<b>IS</b>	Lýsir uppfyllingu EU-reglna og annarra staðla vöru
<b>Standbandschleifer PSDS 240 A1 (Parkside)</b>			
<input type="checkbox"/> 87/404/EC_2009/105/EC	<input checked="" type="checkbox"/> 2006/42/EC		
<input type="checkbox"/> 2005/32/EC_2009/125/EC	<input type="checkbox"/> Annex IV	Notified Body:	
<input type="checkbox"/> 2006/95/EC		Notified Body No.:	
<input type="checkbox"/> 2006/28/EC		Reg. No.:	
<input checked="" type="checkbox"/> 2004/108/EC	<input type="checkbox"/> 2000/14/EC_2005/88/EC		
<input type="checkbox"/> 2004/22/EC	<input type="checkbox"/> Annex V		
<input type="checkbox"/> 1999/5/EC	<input type="checkbox"/> Annex VI	Noise measured: L <sub>WA</sub> = dB (A); guaranteed L <sub>WA</sub> = dB (A)	
<input type="checkbox"/> 97/23/EC		P = KW; L <sub>Ø</sub> = cm	
<input type="checkbox"/> 90/396/EC_2009/142/EC	<input type="checkbox"/> 2004/26/EC	Notified Body:	
<input type="checkbox"/> 89/686/EC_96/58/EC		Emission No.:	
<input checked="" type="checkbox"/> 2011/65/EC			
<b>Standard references: EN 61029-1; EN 61029-2-4; EN 55014-1; EN 55014-2; EN 61000-3-2; EN 61000-3-3</b>			
Landau/Isar, den 28.01.2013	 Weichselgartner/General-Manager	 Wentao/Product-Management	
<b>First CE: 13</b>	<b>Art.-No.:</b> 44.661.47 <b>I.-No.:</b> 11013	<b>Archive-File/Record:</b> NAPR006586	
<b>Subject to change without notice</b>		<b>Documents registrar:</b> Daniel Protschka Wiesenweg 22, D-94405 Landau/Isar	

## 13.Εγγύηση

Αξιότιμη πελάτιστα, αξιότιμε πελάτη,

Τα προϊόντα μας υπόκεινται σε αυστηρούς ελέγχους ποιότητας. Εάν παρ' όλα αυτά κάποτε δεν λειτουργήσουν άψογα, λυπούμαστε πολύ και σας παρακαλούμε να αποτανθείτε προς το τμήμαμα Εξυπηρέτησης Πελατών, στη διεύθυνση που αναφέρετε σε αυτή την εγγύηση. Ευχαρίστως σας βοηθούμε και τηλεφωνικώς στον αριθμό που αναφέρετε πιο κάτω. Για την κατίσχυση των αξιώσεων εγγύησης ισχύουν τα εξής:

1. Αυτοί οι όροι εγγύησης ρυθμίζουν πρόσθετες παροχές εγγύησης. Από την εγγύηση αυτή δεν θίγονται οι νόμιμες αξιώσεις σας για εγγύηση. Η παροχή της εγγύησής μας είναι για σας δωρεάν.
  2. Η εγγύηση καλύπτει αποκλειστικά και μόνο βλάβες που οφείλονται σε ελαττώματα υλικών ή παραγωγής και περιορίζονται στην αποκατάσταση αυτών των ελαττωμάτων ή την αντικατάσταση της συσκευής. Παρακαλούμε να προσέξετε πως οι συσκευές μας δεν προορίζονται για τη βιομηχανία, τη βιοτεχνία και την επαγγελματική χρήση. Για το λόγο αυτό δεν υφίσταται σύμβαση εγγύησης σε περίπτωση χρήσης της συσκευής στη βιομηχανία, βιοτεχνία, για επαγγελματικό ή άλλο παρόμοιο σκοπό. Από την εγγύησή μας αποκλείονται πέραν τούτου αποζημιώσεις για βλάβες μεταφοράς, βλάβες οφειλόμενες σε μη τήρηση της Οδηγίας συναρμολόγησης, ή σε εσφαλμένη εγκατάσταση, μη τήρηση της Οδηγίας χρήσης (π.χ. σύνδεση σε λάθος τάση δικτύου ή είδος ρεύματος), καταχρηστική ή όχι ορθή χρήση (π.χ. υπερφόρτωση ή χρήση μη εγκεκριμένων ανταλλακτικών εργαλείων ή εξαρτημάτων), μη τήρηση των Υποδείξεων συντήρησης και ασφαλείας, είσοδος ξένων αντικειμένων στη συσκευή (όπως π.χ. άμμος ή σκόνη), χρήση βίας ή εξωτερική επίδραση (όπως π.χ. βλάβες από πτώση) καθώς και βλάβες που οφείλονται σε κοινή φθορά. Αυτό ισχύει ιδιαίτερα για συσσωρευτές για τους οποίους παρ' όλα αυτά παρέχουμε εγγύηση 12 μηνών. Η αξίωση εγγύησης εκπίπτει σε περίπτωση που έγιναν ήδη ξένες επεμβάσεις στη συσκευή.
  3. Η διάρκεια της εγγύησης ανέρχεται σε 3 έτη και αρχίζει από την ημερομηνία αγοράς της συσκευής. Οι αξιώσεις εγγύησης πρέπει να κατισχυθούν πριν την πάροδο της προθεσμίας της εγγύησης εντός δύο εβδομάδων από την διαπίστωση του ελαττώματος. Αποκλείεται η κατίσχυση αξιώσεων εγγύησης μετά την πάροδο της προθεσμίας της εγγύησης. Η επισκευή ή η αντικατάσταση της συσκευής δεν συνεπάγεται ούτε την επέκταση της διάρκειας της εγγύησης ούτε την έναρξη νέας προθεσμίας εγγύησης για τη συσκευή ή τα ενδεχομένως τοποθετηθέντα εξαρτήματα. Το ίδιο ισχύει και σε περίπτωση σέρβις επί τόπου.
  4. Για την κατίσχυση της αξίωσης της εγγύησης σας παρακαλούμε να μας αποστείλετε τη συσκευή, χωρίς επιβάρυνσή μας με ταχυδρομικά τέλη, στην πιο κάτω αναφερόμενη διεύθυνση. Μη ξεχάσετε να επισυνάψετε το πρωτότυπο της απόδειξης αγοράς ή άλλο ισχύον αποδεικτικό αγοράς. Για το λόγο αυτό σας παρακαλούμε να φυλάξετε καλά την απόδειξη του ταμείου! Παρακαλούμε επίσης να μας περιγράψετε την αιτία για την διαμαρτυρία σας όσο πιο αναλυτικά γίνεται. Εάν το ελάττωμα της συσκευής σας καλύπτεται από την εγγύησή μας, είτε θα σας επιστραφεί ταχύτατα η επισκευασμένη συσκευή σας, είτε θα λάβετε μία νέα συσκευή.
- Φυσικά επισκευάζουμε ευχαρίστως έναντι αμοιβής και ελαττώματα στη συσκευή σας που δεν καλύπτονται ή δεν καλύπτονται πλέον από την εγγύηση. Για το σκοπό αυτό σας παρακαλούμε να αποστείλετε τη συσκευή σας στη διεύθυνση του τμήματός μας για Εξυπηρέτηση Πελατών.

**EINHELL Hellas A. E.**

Attikis Str. 15

14122 Neo Irakleio

Tel. 210 277 68 71, 213 006 99 25 · Fax 210 277 68 93

IAN 90851





## Inhaltsverzeichnis

1. Einleitung .....	35
2. Sicherheitshinweise .....	35
3. Gerätebeschreibung und Lieferumfang .....	39
4. Bestimmungsgemäße Verwendung .....	39
5. Technische Daten .....	40
6. Vor Inbetriebnahme .....	41
7. Bedienung .....	42
8. Austausch der Netzanschlussleitung .....	42
9. Reinigung, Wartung und Ersatzteilbestellung .....	42
10. Lagerung .....	43
11. Entsorgung und Wiederverwertung .....	43
12. Konformitätserklärung .....	44
13. Garantiekunde .....	45

Der Nachdruck oder sonstige Vervielfältigung von Dokumentation und Begleitpapieren der Produkte, auch auszugsweise, ist nur mit ausdrücklicher Zustimmung der iSC GmbH zulässig.

Technische Änderungen vorbehalten



DE/AT/CH



**Warnung** - Zur Verringerung des Verletzungsrisikos Bedienungsanleitung lesen



**Tragen Sie einen Gehörschutz.** Die Einwirkung von Lärm kann Hörverlust bewirken.



**Tragen Sie eine Staubschutzmaske.** Beim Bearbeiten von Holz und anderer Materialien kann gesundheitsschädlicher Staub entstehen. Asbesthaltiges Material darf nicht bearbeitet werden!



**Tragen Sie eine Schutzbrille.** Während der Arbeit entstehende Funken oder aus dem Gerät heraus-tretende Splitter, Späne und Stäube können Sichtverlust bewirken.

## 1. Einleitung

Herzlichen Glückwunsch zum Kauf Ihres neuen Gerätes.

Sie haben sich damit für ein hochwertiges Produkt entschieden. Die Bedienungsanleitung ist Bestandteil dieses Produkts. Sie enthält wichtige Hinweise für Sicherheit, Gebrauch und Entsorgung. Machen Sie sich vor der Benutzung des Produkts mit allen Bedien- und Sicherheitshinweisen vertraut. Benutzen Sie das Produkt nur wie beschrieben und für die angegebenen Einsatzbereiche. Händigen Sie alle Unterlagen bei Weitergabe des Produkts an Dritte mit aus.

## 2. Sicherheitshinweise

### **⚠ Warnung**

**Lesen Sie alle Sicherheitshinweise und Anweisungen.** Versäumnisse bei der Einhaltung der Sicherheitshinweise und Anweisungen können elektrischen Schlag, Brand und/oder schwere Verletzungen verursachen. **Bewahren Sie alle Sicherheitshinweise und Anweisungen für die Zukunft auf.**

**Achtung! Beim Gebrauch von Elektrowerkzeugen sind zum Schutz gegen elektrischen Schlag, Verletzungs- und Brandgefahr folgende grundsätzlichen Sicherheitsmaßnahmen zu beachten. Lesen und beachten Sie diese Hinweise, bevor Sie das Gerät benutzen, und bewahren Sie die Sicherheitshinweise gut auf.**

- 1. Halten Sie Ihren Arbeitsbereich in Ordnung**
  - Unordnung im Arbeitsbereich ergibt Unfallgefahr.
- 2. Berücksichtigen Sie Umgebungseinflüsse**
  - Setzen Sie Elektrowerkzeuge nicht dem Regen aus. Benutzen Sie Elektrowerkzeuge nicht in feuchter oder nasser Umgebung. Sorgen Sie für gute Beleuchtung. Benutzen Sie Elektrowerkzeuge nicht in der Nähe von brennbaren Flüssigkeiten oder Gasen.

### **3. Schützen Sie sich vor elektrischem Schlag**

- Vermeiden Sie Körperberührung mit geerdeten Teilen, zum Beispiel Rohren, Heizkörpern, Herden, Kühlschränken.

### **4. Halten Sie Kinder fern!**

- Lassen Sie andere Personen nicht das Werkzeug oder Kabel berühren, halten Sie sie von Ihrem Arbeitsbereich fern.

### **5. Bewahren Sie Ihre Werkzeuge sicher auf**

- Unbenutzte Werkzeuge sollten in trockenem, verschlossenem Raum und für Kinder nicht erreichbar aufbewahrt werden.

### **6. Überlasten Sie Ihre Werkzeuge nicht**

- Sie arbeiten besser und sicherer im angegebenen Leistungsbereich.

### **7. Benutzen Sie das richtige Werkzeug**

- Verwenden Sie keine zu schwachen Werkzeuge oder Vorsatzgeräte für schwere Arbeiten.
- Benutzen Sie Werkzeuge nicht für Zwecke und Arbeiten, wofür sie nicht bestimmt sind; zum Beispiel benutzen Sie keine Handkreissäge, um Bäume zu fällen oder Äste zu schneiden.

### **8. Tragen Sie geeignete Arbeitskleidung**

- Tragen Sie keine weite Kleidung oder Schmuck. Sie können von beweglichen Teilen erfasst werden. Bei Arbeiten im Freien sind Gummihandschuhe und rutschfestes Schuhwerk empfehlenswert. Tragen Sie bei langen Haaren ein Haarnetz.

### **9. Benutzen Sie eine Schutzbrille**

- Verwenden Sie eine Atemmaske bei stauberzeugenden Arbeiten.

### **10. Zweckentfremden Sie nicht das Kabel**

- Tragen Sie das Werkzeug nicht am Kabel, und benutzen Sie es nicht, um den Stecker aus der Steckdose zu ziehen. Schützen Sie das Kabel vor Hitze, Öl und scharfen Kanten.

### **11. Sichern Sie das Werkstück**

- Benutzen Sie Spannvorrichtungen oder einen Schraubstock, um das Werkstück festzuhalten. Es ist damit sicherer gehalten als mit ihrer Hand und ermöglicht die Bedienung der Maschine mit beiden Händen.

## 12. Überdehnen Sie nicht Ihren Standbereich

– Vermeiden Sie abnormale Körperhaltung. Sorgen Sie für sicheren Stand, und halten Sie jederzeit das Gleichgewicht.

## 13. Pflegen Sie Ihre Werkzeuge mit Sorgfalt

– Halten Sie Ihre Werkzeuge scharf und sauber, um gut und sicher zu arbeiten. Befolgen Sie die Wartungsvorschriften und die Hinweise für Werkzeugwechsel. Kontrollieren Sie regelmäßig den Stecker und das Kabel, und lassen Sie diese bei Beschädigung von einem anerkannten Fachmann erneuern. Kontrollieren Sie Verlängerungskabel regelmäßig und ersetzen Sie beschädigte. Halten Sie Handgriffe trocken und frei von Öl und Fett.

## 14. Ziehen Sie den Netzstecker

– Bei Nichtgebrauch, vor der Wartung und beim Werkzeugwechsel, wie zum Beispiel Sägeblatt, Bohrer und Maschinenwerkzeugen aller Art.

## 15. Lassen Sie keine Werkzeugschlüssel stecken

– Überprüfen Sie vor dem Einschalten, dass die Schlüssel und Einstellwerkzeuge entfernt sind.

## 16. Vermeiden Sie unbeabsichtigten Anlauf

– Tragen Sie keine an das Stromnetz angeschlossenen Werkzeuge mit dem Finger am Schalter. Vergewissern Sie sich, dass der Schalter beim Anschluss an das Stromnetz ausgeschaltet ist.

## 17. Verlängerungskabel im Freien

– Verwenden Sie im Freien nur dafür zugelassene und entsprechend gekennzeichnete Verlängerungskabel.

## 18. Seien Sie stets aufmerksam

– Beobachten Sie Ihre Arbeit. Gehen Sie vernünftig vor. Verwenden Sie das Werkzeug nicht, wenn Sie unkonzentriert sind.

## 19. Kontrollieren Sie Ihr Gerät auf Beschädigungen

– Vor weiterem Gebrauch des Werkzeugs die Schutzeinrichtungen oder leicht beschädigte Teile sorgfältig auf ihre einwandfreie und bestimmungsgemäße Funktion überprüfen. Über-

prüfen Sie, ob die Funktion beweglicher Teile in Ordnung ist, ob sie nicht klemmen oder ob Teile beschädigt sind. Sämtliche Teile müssen richtig montiert sein und alle Bedingungen erfüllen, um den einwandfreien Betrieb des Elektrowerkzeugs zu gewährleisten.

Beschädigte Schutzvorrichtungen und Teile sollen sachgemäß durch eine Kundendienstwerkstatt repariert oder ausgewechselt werden, soweit nichts anderes in den Betriebsanleitungen angegeben ist. Beschädigte Schalter müssen bei einer Kundendienstwerkstatt ersetzt werden. Benutzen Sie keine Werkzeuge, bei denen sich der Schalter nicht ein- und ausschalten lässt.

## 20. Achtung!

– Zu Ihrer eigenen Sicherheit, benutzen Sie nur Zubehör und Zusatzgeräte, die in der Bedienungsanleitung angegeben oder vom Werkzeug-Hersteller empfohlen oder angegeben werden. Der Gebrauch anderer als der in der Bedienungsanleitung oder im Katalog empfohlenen Einsatzwerkzeuge oder Zubehörteile kann eine persönliche Verletzungsgefahr für Sie bedeuten.

## 21. Reparaturen nur vom Elektrofachmann

Dieses Elektrowerkzeug entspricht den einschlägigen Sicherheitsbestimmungen. Reparaturen dürfen nur von einer Elektrofachkraft ausgeführt werden, andernfalls können Unfälle für den Betreiber entstehen.

## 22. Schließen Sie die Staubabsaug-Einrichtung an

– Wenn Vorrichtungen zum Anschluss von Staubabsaugerinnen vorhanden sind, überzeugen Sie sich, dass diese angeschlossen und benutzt werden.

### Allgemeine Sicherheitshinweise und Unfallschutz

Ein unfallfreies und gefahrloses Arbeiten mit dem Werkzeug ist nur gewährleistet, wenn Sie die Sicherheitshinweise und die Bedienungsanleitung vollständig lesen und die enthaltenen Hinweise befolgen.

- Kontrollieren Sie vor jedem Gebrauch das Gerät, die Anschlussleitung und den Stecker. Arbeiten Sie nur mit einem einwandfreien und unbeschädigten Gerät. Beschädigte Teile müssen sofort von einem Elektro-Fachmann erneuert werden.
- Vor allen Arbeiten an der Maschine, vor jedem Werkzeugwechsel und bei Nichtgebrauch den Netzstecker aus der Steckdose ziehen.
- Um Beschädigungen des Netzkabels zu vermeiden, das Netzkabel immer nach hinten von der Maschine wegführen.
- Bewahren Sie die Werkzeuge sicher und für Kinder nicht erreichbar auf.

### Asbesthaltige Materialien dürfen nicht bearbeitet werden.

Entsprechende Unfallverhütungsvorschrift (VBG 119) der Berufsgenossenschaft beachten.

- Verwenden Sie nur Original-Ersatzteile.
- Reparaturen dürfen nur von einem Elektro-Fachmann durchgeführt werden.
- Die Lärmentwicklung am Arbeitsplatz kann 85 dB (A) überschreiten. In diesem Fall sind Schall- und Gehörschutzmaßnahmen für den Bedienenden erforderlich. Das Geräusch dieses Elektrowerkzeuges wird nach IEC 59 CO 11, IEC 704, DIN 45635 Teil 21, NFS 31-031 (84/537/EWG) gemessen.
- Achten Sie auf einen sicheren Stand. Vermeiden Sie abnormale Körperhaltungen.
- Setzen Sie Ihr Elektrowerkzeug nicht dem Regen aus. Benutzen Sie Elektrowerkzeuge nicht in nasser oder feuchter Umgebung und nicht in der Nähe von brennbaren Flüssigkeiten.
- Schützen Sie das Netzkabel vor Beschädigung durch Öl, Lösungsmittel und scharfen Kanten.
- Halten Sie Ihren Arbeitsbereich in Ordnung.
- Vergewissern Sie sich, dass der Schalter beim

Anschluss an das Stromnetz ausgeschaltet ist.

- Tragen Sie geeignete Arbeitskleidung. Tragen Sie keine weite Kleidung und Schmuck. Tragen Sie bei langen Haaren ein Haarnetz.
- Verwenden Sie zu Ihrer eigenen Sicherheit nur Zubehör und Zusatzgeräte des Werkzeug-Herstellers
- Tragen Sie beim Schleifen, Bürsten und Trennen stets eine Schutzbrille, Sicherheitshandschuhe und einen Gehörschutz.
- Überprüfen Sie, dass die auf der Scheibe angegebene Drehzahl gleich oder größer als die Bemessungsdrehzahl des Schleifers ist.
- Vergewissern Sie sich, dass die Maße der Scheibe zum Schleifer passen.
- Schleifscheiben müssen sorgsam nach den Anweisungen des Herstellers aufbewahrt und gehandhabt werden. Kontrollieren Sie die Scheibe vor Ihrer Verwendung; keine abgebrochenen, gesprungenen oder anderweitig beschädigte Erzeugnisse verwenden.
- Achten Sie darauf, dass nur Schleifscheiben und Bürsten verwendet werden, deren aufgedruckte Drehzahl mindestens so hoch ist wie die auf dem Typenschild des Elektrowerkzeuges angegeben.
- Vergewissern Sie sich, dass Schleifwerkzeuge nach den Anweisungen des Herstellers angebracht sind.
- Sorgen Sie dafür, dass Zwischenlagen verwendet werden, wenn sie mit dem Schleifmittel zur Verfügung gestellt und gefordert werden.
- Sorgen Sie dafür, dass das Schleifmittel vor Gebrauch richtig angebracht und befestigt wird. Lassen Sie das Werkzeug im Leerlauf 5 Minuten in einer sicheren Lage laufen. Sofort anhalten, wenn beträchtliche Schwingungen auftreten oder wenn andere Mängel festgestellt werden. Wenn dieser Zustand eintritt, überprüfen Sie die Maschine, um die Ursache zu ermitteln.
- Das Elektrowerkzeug niemals ohne die mitgelieferte Schutzhaube betreiben.
- Verwenden Sie keine getrennte Reduzierbuchse oder Adapter, um Schleifscheiben mit großem Loch passend zu machen.
- Sorgen Sie dafür, dass beim Gebrauch ent-

stehende Funken keine Gefahr hervorrufen, z. B. Personen treffen oder entflammare Substanzen entzünden.

- Verwenden Sie immer Schutzbrille und Gehörschutz; benutzen Sie auch andere Personenschutzrüstungen wie Handschuhe, Schürze und Helm, wenn notwendig.
- Das Werkstück wird beim Schleifen heiß.

### **Achtung! Verbrennungsgefahr!**

Lassen Sie das Werkstück abkühlen. Das Material kann während des Schleifens ausglühen, kühlen Sie das Werkstück bei längerer Bearbeitung zwi- schendurch ab.

- Verwenden Sie keine Kühlmittel oder ähnli- ches.

### **Besondere Sicherheitshinweise**

1. Vor Inbetriebnahme der Schleifmaschine sind die Schleifkörper einer Klangprobe zu un- terziehen (einwandfreie Schleifkörper haben beim leichten Anschlagen – Plastikhammer – einen klaren Klang). Dies trifft ebenfalls zu, wenn neue Schleifkörper aufgespannt werden (Transportschäden). Die Maschine ist unbe- dingt einem Probelauf ohne Belastung von mindestens 5 Minuten zu unterziehen. Dabei ist der Gefahrenbereich zu verlassen.
2. Es dürfen nur Schleifkörper verwendet wer- den, die Angaben tragen über Hersteller, Art der Bindung, Abmessung und zulässige Um- drehungszahl.
3. Schleifkörper sind an trockenen Orten bei möglichst gleich bleibenden Temperaturen aufzubewahren.
4. Zum Aufspannen der Schleifkörper dürfen nur die mitgelieferten Spannflansche verwendet werden.
5. Zum Aufspannen der Schleifkörper dürfen nur gleichgroße und gleich geformte Spannflan- sche verwendet werden. Die Zwischenlagen zwischen Spannflansch und Schleifkörper müssen aus elastischen Stoffen z.B. Gummi, weicher Pappe usw., bestehen.
6. Die Aufnahmebohrung von Schleifkörpern darf nicht nachträglich aufgebohrt werden.
7. Die Werkstückauflagen und die oberen nach- stellbaren Schutzabdeckungen sind stets so

dicht wie möglich an den Schleifkörper her- anzustellen (Abstand max. 2 mm).

8. Schleifkörper dürfen nicht ohne Schutzzei- nrichtung betrieben werden. Dabei dürfen fol- gende Abstände nicht überschritten werden:
  - Werkstückauflage/Schleifscheibe: max. 2 mm
  - Schutzabdeckung/Schleifscheibe: max. 2 mm
9. Vor dem Gebrauch des Doppelschleifers müssen Schutzhalter, Werkstückauflage und Sichtschutz angebracht werden.
10. Bei Schleifscheibenwechsel ist vorher der Netzstecker zu ziehen.
11. Die max. Umfangsgeschwindigkeit der Tro- ckenschleifscheibe beträgt: 23,17 m/s

$$m/s = (d \times 3,14 \times n) / (60 \times 1000)$$

d = Durchmesser der Schleifscheibe in mm  
n = Motordrehzahl pro Minute

12. Max. zulässige Motorgehäusetemperatur: 80°C
13. Vor Arbeitsbeginn ist die Schleifmaschine mittels der 4 Befestigungslöcher in der Bo- denplatte fest mit der Werkbank etc. zu ver- schrauben.
14. Die Einstellung des Funkenabweisers ist peri- odisch vorzunehmen, so dass der Verschleiß der Scheibe ausgeglichen wird, wobei der Abstand zwischen Funkenabweiser und Scheibe so gering wie möglich und in keinem Fall größer als 2mm zu halten ist.
15. Sobald der Funkenabweiser und die Werk- stückauflage nicht mehr auf max. 2mm an die Schleifscheibe herangestellt werden kann, muss die Schleifscheibe spätestens ausge- tauscht werden.

**Bewahren Sie die Sicherheitshinweise gut auf.**

### 3. Gerätebeschreibung und Lieferumfang

#### 3.1 Gerätebeschreibung (Bild 1/3/6/8/11)

1. Ein-/Ausschalter
2. Schutzglas
3. Funkenabweiser
4. Schutzhaube
5. Schleifscheibe
6. Sternschraube Werkstückauflage
7. Werkstückauflage
8. Befestigungslöcher
9. Standfuß
10. Justierschraube Funkenabweiser
11. Schleifband
12. Spannschraube für obere Bandrolle
13. Spannhebel
14. Befestigungsschraube für seitol. Abdeckung
15. Justierschraube Bandlauf

#### 3.2 Lieferumfang

- Öffnen Sie die Verpackung und nehmen Sie das Gerät vorsichtig aus der Verpackung.
- Entfernen Sie das Verpackungsmaterial sowie Verpackungs- und Transportsicherungen (falls vorhanden).
- Überprüfen Sie, ob der Lieferumfang vollständig ist.
- Kontrollieren Sie das Gerät und die Zubehörteile auf Transportschäden.
- Bewahren Sie die Verpackung nach Möglichkeit bis zum Ablauf der Garantiezeit auf.

#### **Achtung!**

**Gerät und Verpackungsmaterial sind kein Kinderspielzeug! Kinder dürfen nicht mit Kunststoffbeuteln, Folien und Kleinteilen spielen! Es besteht Verschluckungs- und Erstickungsgefahr!**

- Originalbetriebsanleitung

### 4. Bestimmungsgemäße Verwendung

Der Schleifer ist ein Kombigerät für Grob- und Feinschliff von Metallen, Hölzern aller Art und anderen Materialien unter Verwendung der entsprechenden Schleifscheibe bzw. Schleifbandes.

Es dürfen nur für die Maschine geeignete Schleifbänder, bzw. Schleifscheiben die den Kenndaten in dieser Anleitung entsprechen, verwendet werden.

Die Maschine darf nur nach ihrer Bestimmung verwendet werden! Trotz bestimmungsgemäßer Verwendung können bestimmte Restrisikofaktoren nicht vollständig ausgeräumt werden. Bedingt durch die Konstruktion und den Aufbau der Maschine können folgende Punkte auftreten:

- Berührung der Schleifscheibe im nicht abgedeckten Bereich.
- Herausschleudern von Teilen aus beschädigten Schleifscheiben.
- Herausschleudern von Werkstücken und Werkstückteilen.
- Gehörschäden bei Nichtverwendung des nötigen Gehörschutzes.
- Gesundheitsschädliche Emissionen von Holzstäuben bei Verwendung in geschlossenen Räumen.
- Die rotierenden Teile des Gerätes können aus funktionellen Gründen nicht abgedeckt werden. Gehen Sie daher mit Bedacht vor und halten Sie das Werkstück gut fest, um ein Verrutschen zu vermeiden, wodurch Ihre Hände mit dem Schleifband in Berührung kommen könnten.

Die Maschine darf nur nach ihrer Bestimmung verwendet werden. Jede weitere darüber hinausgehende Verwendung ist nicht bestimmungsgemäß. Für daraus hervorgerufene Schäden oder Verletzungen aller Art haftet der Benutzer/Bediener und nicht der Hersteller.

Bitte beachten Sie, dass unsere Geräte bestimmungsgemäß nicht für den gewerblichen, handwerklichen oder industriellen Einsatz konstruiert wurden. Wir übernehmen keine Gewährleistung,

wenn das Gerät in Gewerbe-, Handwerks- oder Industriebetrieben sowie bei gleichzusetzenden Tätigkeiten eingesetzt wird.

## 5. Technische Daten

Nennspannung: ..... 230 V ~ 50 Hz  
 Aufnahmeleistung: ..... 240 W S2 30 min  
 Leerlaufdrehzahl  $n_0$ : ..... 2950 min<sup>-1</sup>  
 ø Schleifscheibe: ..... 150 mm  
 Schleifscheibendicke: ..... 20 mm  
 ø Bohrung Schleifscheibe: ..... 12,7 mm  
 max. Umfangsgeschwindigkeit: ..... 23,17 m/s  
 Bandgeschwindigkeit: ..... 900 m/min  
 Schleifband ..... 50 x 686 mm  
 Gewicht ..... 7,2 kg

### Einschaltdauer:

Die Einschaltdauer S2 30 min (Kurzzeitbetrieb) sagt aus, dass der Motor mit der Nennleistung (240 W) nur für die auf dem Datenschild angegebene Zeit (30 min) dauernd belastet werden darf. Andernfalls würde er sich unzulässig erwärmen. Während der Pause kühlt sich der Motor wieder auf seine Ausgangstemperatur ab.

### Geräusch und Vibration

Die Geräusch- und Vibrationswerte wurden entsprechend EN 61029 ermittelt.

Schalldruckpegel  $L_{pA}$  ..... 89 dB(A)  
 Unsicherheit  $K_{pA}$  ..... 3 dB  
 Schalleistungspegel  $L_{WA}$  ..... 102 dB(A)  
 Unsicherheit  $K_{WA}$  ..... 3 dB

### Tragen Sie einen Gehörschutz.

Die Einwirkung von Lärm kann Hörverlust bewirken.

Schwingungsgesamtwerte (Vektorsumme dreier Richtungen) ermittelt entsprechend EN 61029.

Schwingungsemissionswert  $a_h \leq 2,5 \text{ m/s}^2$   
 Unsicherheit  $K = 1,5 \text{ m/s}^2$

### Warnung!

Der angegebene Schwingungsemissionswert ist nach einem genormten Prüfverfahren gemessen worden und kann sich, abhängig von der Art und Weise, in der das Elektrowerkzeug verwendet wird, ändern und in Ausnahmefällen über dem angegebenen Wert liegen.

Der angegebene Schwingungsemissionswert kann zum Vergleich eines Elektrowerkzeuges mit einem anderen verwendet werden.

Der angegebene Schwingungsemissionswert kann auch zu einer einleitenden Einschätzung der Beeinträchtigung verwendet werden.

### Beschränken Sie die Geräuschentwicklung und Vibration auf ein Minimum!

- Verwenden Sie nur einwandfreie Geräte.
- Warten und reinigen Sie das Gerät regelmäßig.
- Passen Sie Ihre Arbeitsweise dem Gerät an.
- Überlasten Sie das Gerät nicht.
- Lassen Sie das Gerät gegebenenfalls überprüfen.
- Schalten Sie das Gerät aus, wenn es nicht benutzt wird.
- Tragen Sie Handschuhe.

### Restrisiken

**Auch wenn Sie dieses Elektrowerkzeug vorschriftsmäßig bedienen, bleiben immer Restrisiken bestehen. Folgende Gefahren können im Zusammenhang mit der Bauweise und Ausführung dieses Elektrowerkzeuges auftreten:**

1. Lungenschäden, falls keine geeignete Staubschutzmaske getragen wird.
2. Gehörschäden, falls kein geeigneter Gehörschutz getragen wird.
3. Gesundheitsschäden, die aus Hand-Arm-Schwingungen resultieren, falls das Gerät über einen längeren Zeitraum verwendet wird oder nicht ordnungsgemäß geführt und gewartet wird.



## 6. Vor Inbetriebnahme

Überzeugen Sie sich vor dem Anschließen, dass die Daten auf dem Typenschild mit den Netzdaten übereinstimmen.

**Ziehen Sie immer den Netzstecker, bevor Sie Einstellungen am Gerät vornehmen.**

- Die Maschine muss standsicher aufgestellt werden, d. h. auf einer Werkbank o. ä. festschrauben.
- Vor Inbetriebnahme müssen alle Abdeckungen und Sicherheitsvorrichtungen ordnungsgemäß montiert sein.
- Die Schleifscheiben müssen frei laufen können.

### 6.1 Montage Funkenabweiser (Bild 1/3/4/5)

- Führen Sie den Funkenabweiser (3) unter die Schutzhaube (4). Schrauben Sie den Funkenabweiser (3) mit der Justierschraube (10) an der Schutzhaube (4) fest.
- Verwenden Sie hierzu die Schraube (10) mit dem Federring (a), der Scheibe (b) und der Mutter (c), welche am Funkenabweiser (3) befestigt sind. Zur Montage benötigen Sie einen Schraubendreher und einen entsprechenden Ringschlüssel mit dem Sie gegenhalten (Bild 3).
- Stellen Sie den Funkenabweiser (3) mittels der Justierschraube (10) so ein, dass der Abstand zwischen Trockenschleifscheibe (5) und Funkenabweiser (3) so gering wie möglich und in keinem Fall größer als 2 mm ist.
- Stellen Sie den Funkenabweiser (3) periodisch so ein, so dass der Verschleiß der Scheibe ausgeglichen wird.

### 6.2 Montage Werkstückauflagen (Bild 1/6 / 6a/Pos. 7)

- Verschrauben Sie die Werkstückauflagen (7) mit den Sternschrauben (6) am Schleifer.
- Hierzu schieben Sie die Schraube (a) durch die Aussparung, wo die Werkstückauflage (7) befestigt werden soll. Setzen Sie zunächst die Werkstückauflage (7), dann die Scheibe (b) und Zahnscheibe (c) auf. Zuletzt wird die Sternschraube (6) aufgesetzt und festgezogen.

### 6.3 Einstellung Werkstückauflagen (Bild 7 / Pos. 7)

- Stellen Sie die Werkstückauflagen (7) mit Hilfe der Sternschrauben (6) so ein, dass der Abstand zwischen Trockenschleifscheibe (5) und Werkstückauflage (7) so gering wie möglich und in keinem Fall größer als 2 mm ist.
- Stellen Sie die Werkstückauflagen (7) periodisch so ein, dass der Verschleiß der Trockenschleifscheibe (5) ausgeglichen wird.

### 6.4 Wechsel der Schleifscheibe (Bild 1/8/9/10)

Entfernen Sie die 3 Schrauben (14) des Schutzseitenteils (B) der Schleifscheibe und nehmen Sie diese ab (Bild 8). Entfernen Sie dann die Schrauben (14) des Schutzseitenteils (F) des Schleifbandes und nehmen Sie dieses ab (Bild 1). Lockern Sie die Mutter (Bild 9/ D) (**Achtung die Schleifscheibe ist mit einem Linksgewinde verschraubt**), indem Sie die Mutter (Bild 9a/ E) der gegenüberliegenden Laufrolle des Schleifbandes gegenhalten. Nehmen Sie anschließend den Flansch (C) ab. Nun können Sie die Schleifscheibe (5) austauschen. Die Montage erfolgt mit Hilfe eines Lappens. Setzen Sie den Flansch (C) auf die Welle und schrauben Sie die Mutter (D) handfest an (Bild 10). Zum Festziehen der Mutter (D), halten Sie die Schleifscheibe (5) mit einem Lappen fest und ziehen Sie die Mutter (D) an (Bild 10).



## 6.5 Wechsel des Schleifbandes (Bild 1/11)

- Lösen Sie die fünf Schrauben (14) und nehmen Sie die seitliche Schutzabdeckung (F) ab. Lockern Sie die Spannschraube für die obere Bandrolle (12) einige Umdrehungen.
- Drücken Sie den Spannhebel (13) nach unten und ziehen Sie das Schleifband von den Laufrollen.
- Legen Sie das neue Schleifband (11) mittig auf die untere und obere Laufrolle auf und lassen Sie den Spannhebel (13) los.
- Ziehen Sie nun die Spannschraube (12) fest und montieren Sie die seitliche Abdeckung.
- Mit der seitlichen Justierschraube Bandlauf (15) können Sie den Bandlauf einstellen, in dem Sie die Mutter der Justierschraube Bandlauf (15) lockern und mit einem Schraubendreher die Bandlaufgenauigkeit einstellen können. Am besten drehen Sie hierzu das Schleifband mit der Hand um den Bandlauf genau einstellen zu können. Wenn Sie den Bandlauf eingestellt haben, ziehen Sie die Mutter mit einem Ringschlüssel wieder fest.

## 7. Bedienung

### 7.1 Ein-/Ausschalter (1)

Stellen Sie den Ein-/Ausschalter (1) zum Einschalten auf die Position 1.

Zum Ausschalten Ein-/Ausschalter (1) in Position 0 bringen.

Warten Sie nach dem Einschalten ab, bis das Gerät seine maximale Drehzahl erreicht hat. Beginnen Sie erst dann mit dem Schleifen.

### 7.2 Schleifen

- Legen Sie das Werkstück auf die Werkstückauflage (7) auf und führen Sie es langsam im gewünschten Winkel an die Schleifscheibe (5) heran, bis es diese berührt.
- Bewegen Sie das Werkstück leicht hin und her um ein optimales Schleifergebnis zu erhalten. Die Schleifscheibe (5) wird so außerdem gleichmäßig abgenutzt. Lassen Sie das Werkstück zwischendurch abkühlen.

## 7.3 Bandschleifen

- Halten Sie das Werkstück während des Schleifens immer gut fest.
- Üben Sie keinen großen Druck aus.
- Das Werkstück sollte beim Schleifen auf dem Schleifband, hin und her bewegt werden, um zu verhindern, dass das Schleifpapier einseitig verschleißt!
- Wichtig! Holzstücke sollten immer in Richtung der Holzmaserung geschliffen werden, um ein Absplittern zu verhindern.

### Achtung!

Sollte beim Arbeiten die Scheibe oder das Schleifband blockieren, nehmen Sie bitte ihr Werkstück weg und warten, bis das Gerät seine Höchstdrehzahl erneut erreicht hat.

## 8. Austausch der Netzanschlussleitung

Wenn die Netzanschlussleitung dieses Gerätes beschädigt wird, muss sie durch den Hersteller oder seinen Kundendienst oder eine ähnlich qualifizierte Person ersetzt werden, um Gefährdungen zu vermeiden.

## 9. Reinigung, Wartung und Ersatzteilbestellung

Ziehen Sie vor allen Reinigungsarbeiten den Netzstecker.

### 9.1 Reinigung

- Halten Sie Schutzvorrichtungen, Luftschlitz und Motorengehäuse so staub- und schmutzfrei wie möglich. Reiben Sie das Gerät mit einem sauberen Tuch ab oder blasen Sie es mit Druckluft bei niedrigem Druck aus.
- Wir empfehlen, dass Sie das Gerät direkt nach jeder Benutzung reinigen.
- Reinigen Sie das Gerät regelmäßig mit einem feuchten Tuch und etwas Schmierseife. Verwenden Sie keine Reinigungs- oder Lösungsmittel; diese könnten die Kunststoffteile des Gerätes angreifen. Achten Sie darauf, dass

kein Wasser in das Geräteinnere gelangen kann.

### 9.2 Wartung

Im Geräteinneren befinden sich keine weiteren zu wartenden Teile.

### 9.3 Ersatzteilbestellung:

Bei der Ersatzteilbestellung sollten folgende Angaben gemacht werden;

- Typ des Gerätes
- Artikelnummer des Gerätes
- Ident-Nummer des Gerätes

Aktuelle Preise und Infos finden Sie unter [www.isc-gmbh.info](http://www.isc-gmbh.info)

## 10. Lagerung

Lagern Sie das Gerät und dessen Zubehör an einem dunklen, trockenen und frostfreiem sowie für Kinder unzugänglichem Ort. Die optimale Lagertemperatur liegt zwischen 5 und 30 °C. Bewahren Sie das Elektrowerkzeug in der Originalverpackung auf.

## 11. Entsorgung und Wiederverwertung

Das Gerät befindet sich in einer Verpackung um Transportschäden zu verhindern. Diese Verpackung ist Rohstoff und ist somit wieder verwendbar oder kann dem Rohstoffkreislauf zurückgeführt werden. Das Gerät und dessen Zubehör bestehen aus verschiedenen Materialien, wie z.B. Metall und Kunststoffe. Führen Sie defekte Bauteile der Sondermüllentsorgung zu. Fragen Sie im Fachgeschäft oder in der Gemeindeverwaltung nach!



Nur für EU-Länder

Werfen Sie Elektrowerkzeuge nicht in den Hausmüll!

Gemäß europäischer Richtlinie 2002/96/EG über Elektro- und Elektronik-Altgeräte und Umsetzung in nationales Recht müssen verbrauchte Elektrowerkzeuge getrennt gesammelt werden und einer umweltgerechten Wiederverwertung zugeführt werden.

Recycling-Alternative zur Rücksendeaufforderung: Der Eigentümer des Elektrogerätes ist alternativ anstelle Rücksendung zur Mitwirkung bei der sachgerechten Verwertung im Falle der Eigentumsaufgabe verpflichtet. Das Altgerät kann hierfür auch einer Rücknahmestelle überlassen werden, die eine Beseitigung im Sinne der nationalen Kreislaufwirtschafts- und Abfallgesetze durchführt. Nicht betroffen sind den Altgeräten beigelegte Zubehörteile und Hilfsmittel ohne Elektrobestandteile.

## 12. Konformitätserklärung

<b>Einhell Germany AG · Wiesenweg 22 · D-94405 Landau/Isar</b>		<b>CE</b>	
<b>Konformitätserklärung</b>			
<b>D</b>	erklärt folgende Konformität gemäß EU-Richtlinie und Normen für Artikel	<b>PL</b>	deklaruje zgodność wymienionego poniżej artykułu z następującymi normami na podstawie dyrektywy WE.
<b>GB</b>	explains the following conformity according to EU directives and norms for the following product	<b>BG</b>	декларира съответното съответствие съгласно Директива на ЕС и норми за артикул
<b>F</b>	déclare la conformité suivante selon la directive CE et les normes concernant l'article	<b>LV</b>	paskaidro šādu atbilstību ES direktīvai un standartiem
<b>I</b>	dichiara la seguente conformità secondo la direttiva UE e le norme per l'articolo	<b>LT</b>	apibūdina šį atitikimą EU reikalavimams ir prekės normoms
<b>NL</b>	verklaart de volgende overeenstemming conform EU richtlijn en normen voor het product	<b>RO</b>	declară următoarea conformitate conform directivei UE și normelor pentru articolul
<b>E</b>	declara la siguiente conformidad a tenor de la directiva y normas de la UE para el artículo	<b>GR</b>	δηλώνει την ακόλουθη συμμόρφωση σύμφωνα με την Οδηγία ΕΚ και τα πρότυπα για το προϊόν
<b>P</b>	declara a seguinte conformidade, de acordo com a directiva CE e normas para o artigo	<b>HR</b>	potvrđuje sljedeću usklađenost prema smjernicama EU i normama za artikl
<b>DK</b>	attesterer følgende overensstemmelse i medfør af EU-direktiv samt standarder for artikel		Izjava o sukladnosti za ovaj proizvod dostupna je na internet stranici www.lidl.hr.
<b>S</b>	förklarar följande överensstämmelse enl. EU-direktiv och standarder för artikeln	<b>BIH</b>	potvrđuje sljedeću usklađenost prema smjernicama EU i normama za artikl
<b>FIN</b>	vakuuttaa, että tuote täyttää EU-direktiivin ja standardien vaatimukset	<b>RS</b>	potvrđuje sledeću usklađenost prema smernicama EZ i normama za artikal
<b>EE</b>	tõendab toote vastavust EL direktiivile ja standarditele	<b>RUS</b>	следующим удостоверяется, что следующие продукты соответствуют директивам и нормам ЕС
<b>CZ</b>	vydává následující prohlášení o shodě podle směrnice EU a norem pro výrobek	<b>UKR</b>	проголошує про зазначену нижче відповідність виробу директивам та стандартам ЄС на виріб
<b>SLO</b>	potvrjuje sledečo skladnost s smernico EU in standardi za izdelek	<b>MK</b>	ја изјавува следната сообразност согласно ЕУ-директивата и нормите за артикли
<b>SK</b>	vydává nasledujúce prehlásenie o zhode podľa smernice EÚ a noriem pre výrobok	<b>TR</b>	Ürünü ile ilgili AB direktifleri ve normları gereğince aşağıda açıklanan uygunluğu belirtir
<b>H</b>	a cikkekhez az EU-irányvonal és Normák szerint a következő konformitást jelenti ki	<b>N</b>	erklærer følgende samsvar i henhold til EU-direktivet og standarder for artikkel
		<b>IS</b>	Lýsir uppfyllingu EU-reglna og annarra staðla vöru
<b>Standbandschleifer PSDS 240 A1 (Parkside)</b>			
<input type="checkbox"/> 87/404/EC_2009/105/EC	<input checked="" type="checkbox"/> 2006/42/EC		
<input type="checkbox"/> 2005/32/EC_2009/125/EC	<input type="checkbox"/> Annex IV	Notified Body:	
<input type="checkbox"/> 2006/95/EC		Notified Body No.:	
<input type="checkbox"/> 2006/28/EC		Reg. No.:	
<input checked="" type="checkbox"/> 2004/108/EC	<input type="checkbox"/> 2000/14/EC_2005/88/EC		
<input type="checkbox"/> 2004/22/EC	<input type="checkbox"/> Annex V		
<input type="checkbox"/> 1999/5/EC	<input type="checkbox"/> Annex VI	Noise measured: L <sub>WA</sub> = dB (A); guaranteed L <sub>WA</sub> = dB (A)	
<input type="checkbox"/> 97/23/EC		P = KW; L/Ø = cm	
<input type="checkbox"/> 90/396/EC_2009/142/EC	<input type="checkbox"/> 2004/26/EC	Notified Body:	
<input type="checkbox"/> 89/686/EC_96/58/EC		Emission No.:	
<input checked="" type="checkbox"/> 2011/65/EC			
<b>Standard references: EN 61029-1; EN 61029-2-4; EN 55014-1; EN 55014-2; EN 61000-3-2; EN 61000-3-3</b>			
Landau/Isar, den 28.01.2013	 Weichselgartner/General-Manager	 Wentao/Product-Management	
<b>First CE: 13</b>		<b>Archive-File/Record: NAPR006586</b>	
<b>Art.-No.: 44.661.47</b>	<b>I.-No.: 11013</b>	<b>Documents registrar: Daniel Protschka</b>	
<b>Subject to change without notice</b>		<b>Wiesenweg 22, D-94405 Landau/Isar</b>	

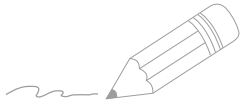
### 13. Garantieurkunde

Sehr geehrte Kundin, sehr geehrter Kunde,  
unsere Produkte unterliegen einer strengen Qualitätskontrolle. Sollte dieses Gerät dennoch einmal nicht einwandfrei funktionieren, bedauern wir dies sehr und bitten Sie, sich an unseren Servicedienst unter der auf dieser Garantiekarte angegebenen Adresse zu wenden. Gern stehen wir Ihnen auch telefonisch über die unten angegebene Servicenummer zur Verfügung. Für die Geltendmachung von Garantieansprüchen gilt folgendes:

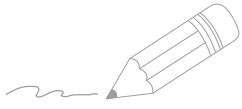
1. Diese Garantiebedingungen regeln zusätzliche Garantieleistungen. Ihre gesetzlichen Gewährleistungsansprüche werden von dieser Garantie nicht berührt. Unsere Garantieleistung ist für Sie kostenlos.
2. Die Garantieleistung erstreckt sich ausschließlich auf Mängel, die auf Material- oder Herstellungsfehler zurückzuführen sind und ist auf die Behebung dieser Mängel bzw. den Austausch des Gerätes beschränkt. Bitte beachten Sie, dass unsere Geräte bestimmungsgemäß nicht für den gewerblichen, handwerklichen oder industriellen Einsatz konstruiert wurden. Ein Garantievertrag kommt daher nicht zustande, wenn das Gerät in Gewerbe-, Handwerks- oder Industriebetrieben sowie bei gleichzusetzenden Tätigkeiten eingesetzt wird. Von unserer Garantie sind ferner Ersatzleistungen für Transportschäden, Schäden durch Nichtbeachtung der Montageanleitung oder aufgrund nicht fachgerechter Installation, Nichtbeachtung der Gebrauchsanleitung (wie durch z.B. Anschluss an eine falsche Netzspannung oder Stromart), missbräuchliche oder unsachgemäße Anwendungen (wie z.B. Überlastung des Gerätes oder Verwendung von nicht zugelassenen Einsatzwerkzeugen oder Zubehör), Nichtbeachtung der Wartungs- und Sicherheitsbestimmungen, Eindringen von Fremdkörpern in das Gerät (wie z.B. Sand, Steine oder Staub), Gewaltanwendung oder Fremdeinwirkungen (wie z. B. Schäden durch Herunterfallen) sowie durch verwendungsgemäßen, üblichen Verschleiß ausgeschlossen. Dies gilt insbesondere für Akkus, auf die wir dennoch eine Garantiezeit von 12 Monaten gewähren. Der Garantieanspruch erlischt, wenn an dem Gerät bereits Eingriffe vorgenommen wurden.
3. Die Garantiezeit beträgt 3 Jahre und beginnt mit dem Kaufdatum des Gerätes. Garantieansprüche sind vor Ablauf der Garantiezeit innerhalb von zwei Wochen, nachdem Sie den Defekt erkannt haben, geltend zu machen. Die Geltendmachung von Garantieansprüchen nach Ablauf der Garantiezeit ist ausgeschlossen. Die Reparatur oder der Austausch des Gerätes führt weder zu einer Verlängerung der Garantiezeit noch wird eine neue Garantiezeit durch diese Leistung für das Gerät oder für etwaige eingebaute Ersatzteile in Gang gesetzt. Dies gilt auch bei Einsatz eines Vor-Ort-Services.
4. Für die Geltendmachung Ihres Garantieanspruches übersenden Sie bitte das defekte Gerät portofrei an die unten angegebene Adresse. Fügen Sie den Verkaufsbeleg im Original oder einen sonstigen datierten Kaufnachweis bei. Bitte bewahren Sie deshalb den Kassenbon als Nachweis gut auf! Beschreiben Sie uns bitte den Reklamationsgrund möglichst genau. Ist der Defekt des Gerätes von unserer Garantieleistung erfasst, erhalten Sie umgehend ein repariertes oder neues Gerät zurück.

Selbstverständlich beheben wir gegen Erstattung der Kosten auch gerne Defekte am Gerät, die vom Garantiumfang nicht oder nicht mehr erfasst sind. Dazu senden Sie das Gerät bitte an unsere Serviceadresse.

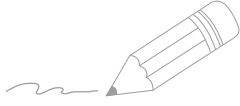
IAN 90851



Handwriting practice lines consisting of 20 horizontal lines. The first two lines are connected to the pencil illustration on the left.

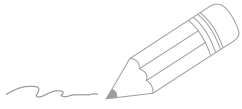


Two horizontal lines are positioned to the right of the pencil illustration. Below these, the page contains 25 additional horizontal lines, providing a template for writing.



Handwriting practice lines consisting of a series of horizontal lines. The top two lines are slightly indented to the right, aligning with the pencil illustration.





Two horizontal lines are positioned to the right of the pencil illustration. Below these, the page contains 20 additional horizontal lines, providing a total of 22 lines for writing.



CE

IAN: 90851 PSDS 240 A1

**Einhell Germany AG**

Wiesenweg 22

D-94405 Landau/Isar

Last Information Update · Έκδοση των πληροφοριών

Stand der Informationen: 04/2013

Ident.-No.: 44.661.47 042013 - GR

IAN 90851

®