



Einhell

BLUE

BT-SM 3100 Sliding Mitre Saw

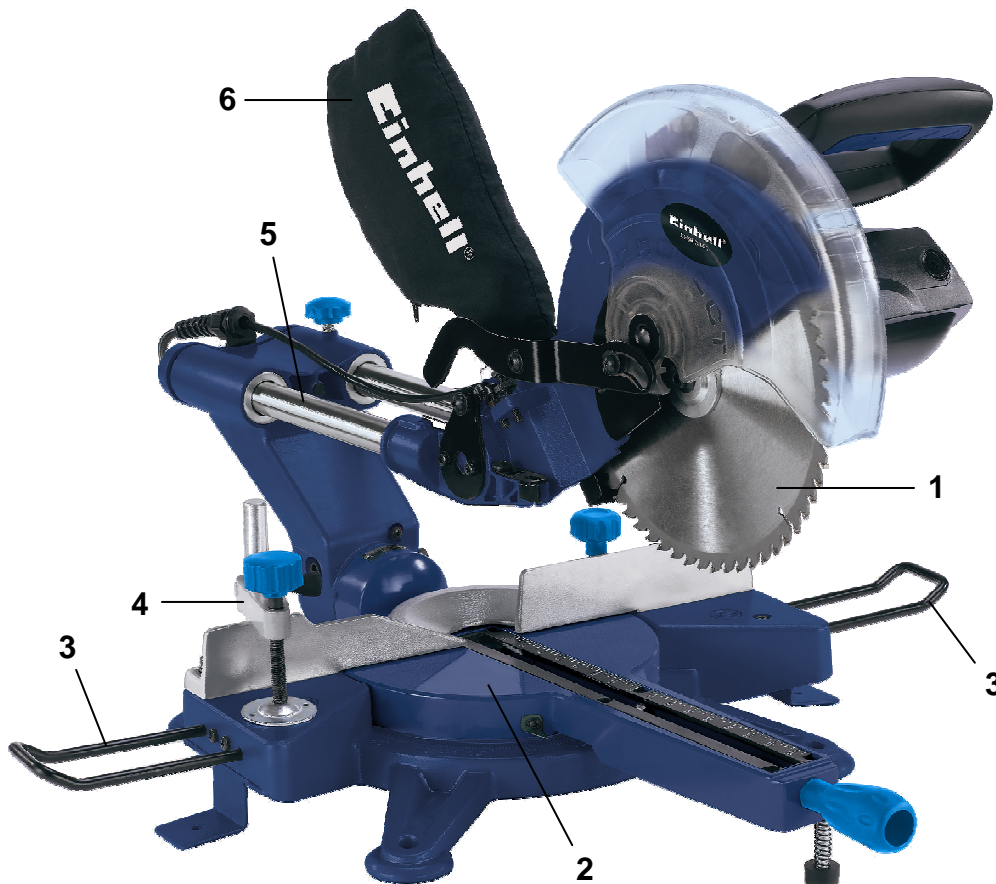
Art.-No. 43.007.60

Features

- Carbide tipped saw blade (1)
- Rotating table for precise angle cuts ranging -45° to +45° with positions of lock (2)
- Incl. dust bag (6) and bilateral support clamps (3)
- Clamping device for safely fixing of the work piece (4)
- Double pivoted sliding feature (5)
- Tilting motor head continuously from 0° to +45°

Technical Data

- | | |
|----------------------------|------------------------------|
| ■ Mains: | 220 – 240 V ~ 50 Hz |
| ■ Power: | 1,600 W S1 / 2,000 W S6 25 % |
| ■ Idle speed: | 5,000 min ⁻¹ |
| ■ TCT saw blade / teeth: | Ø 250 x Ø 30 mm / 60 teeth |
| ■ Max saw width 90° / 45°: | 305 x 75 mm / 210 x 75 mm |
| ■ Max saw width 2 x 45°: | 210 x 45 mm |
| ■ Cutting width max: | 305 mm |
| ■ Net weight: | 13.5 kg |
| ■ Gross weight: | 17.0 kg |
| ■ Packing dimensions: | 760 x 460 x 395 mm |
| ■ Bar code: | 4006825 557169 |
| ■ Sales unit: | 1 pc |



As special accessories available:

TCT saw blade

Ø 250 x Ø 30 x 3.2 mm; T=24

Art.-No.: 43.111.10

Bar code: 4006825 431223

TCT saw blade

Ø 250 x Ø 30 x 3.2 mm; T=60

Art.-No.: 43.111.13

Bar code: 4006825 503166

TCT saw blade

Ø 250 x Ø 30 x 3.2 mm; T=48

Art.-No.: 43.111.11

Bar code: 4006825 431230