

Biscuit Joiner P-DF 850

Art.-No.: **43.506.10**

Bar code: **4006825536065**

Sales unit: **2 pcs**

The biscuit joiner is suitable for milling slots in compact wood, plywood and chip boards. It serves for manufacturing of precise, stable and safe timber joints with lamellos, e. g. edge connections of timber frames or slots for crosswise and lengthwise connections .

Features:

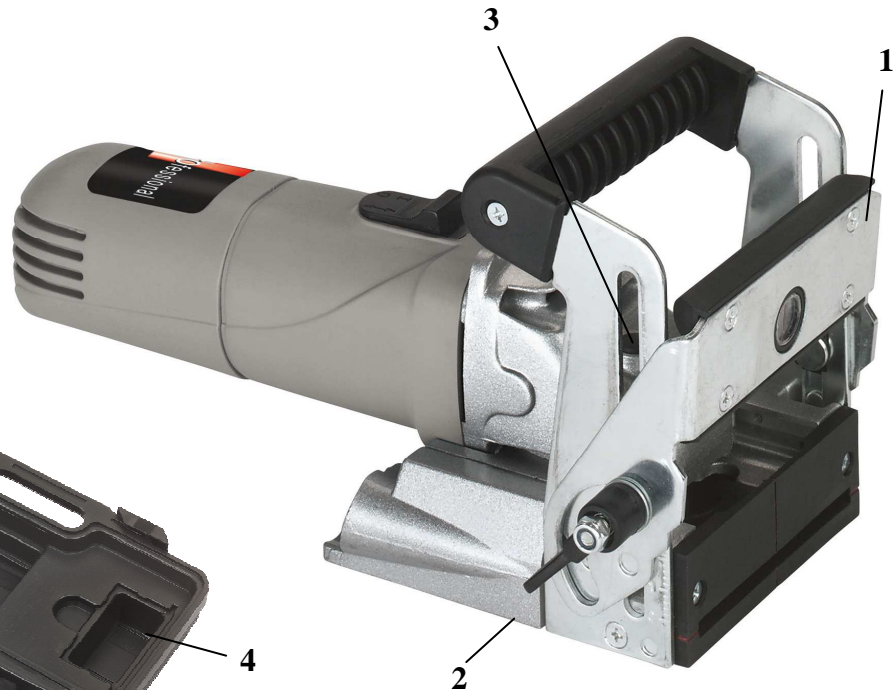
- Multi purpose rail setting (1)
- height adjustable up to max. 6 cm
- tiltable 45°, 90°, 135° and 180°
- 3 step quick adjustment of the routing depth
- Wide base plate (2)
- Locking button for router changes (3)

Standard accessories:

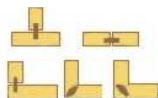
- Transport and storage case (4)
- Dust collection bag (5)
- Face spanner for router change

Technical data:

- Mains: 230 V ~ 50 Hz
- Power: 860 watts
- Idle speed: 11,000 min⁻¹
- HM-router bit: Ø 100 x Ø 22 x 4 mm
- Routing depth max.: 14 mm
- Angle setting: 45°/ 90°/ 135°/ 180°
- Weight: 4.6 kg
- Packing dimensions: 430 x 170 x 230 mm



Connecting examples:



Application lamellos:

