

Original operating instructions
Hammer Drill

Einhell[®]

7

Art.-Nr.: 42.597.73

I.-Nr.: 01019



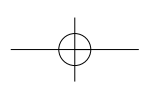
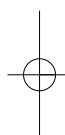
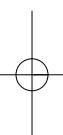
RT-ID **105**

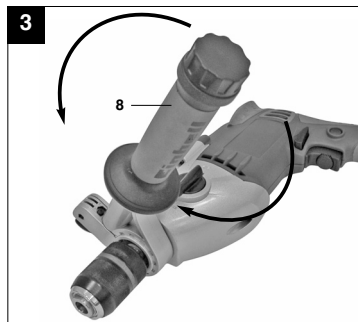
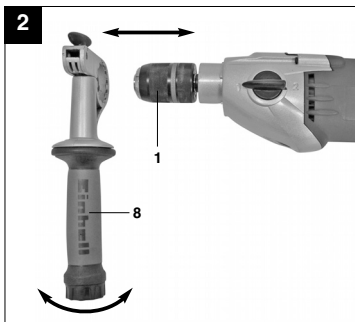
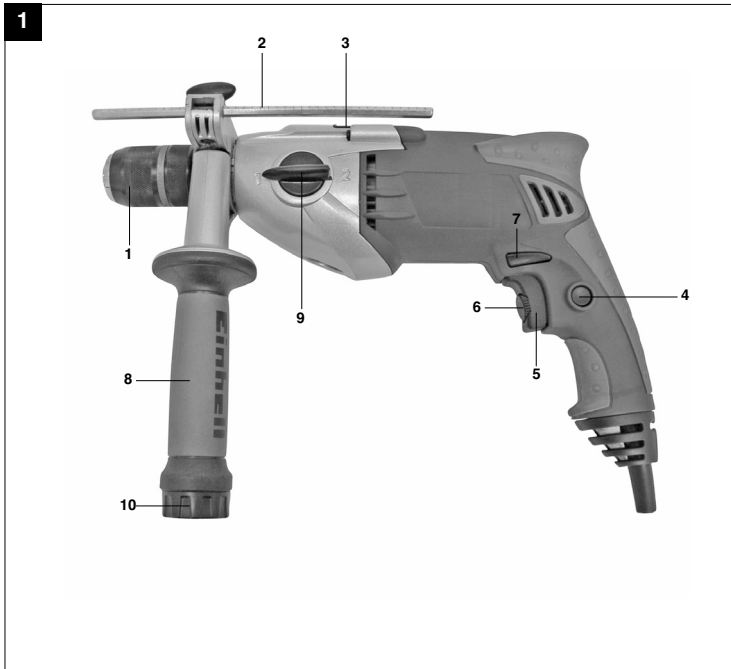


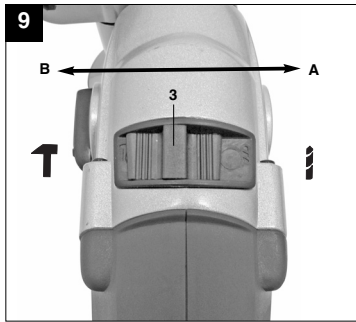
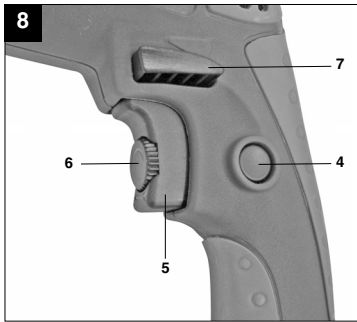
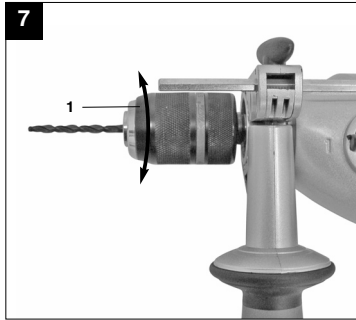
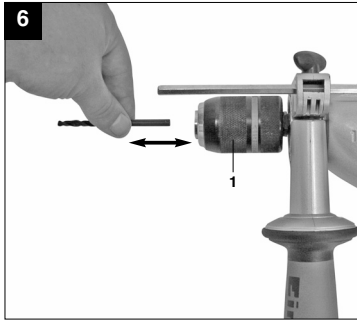
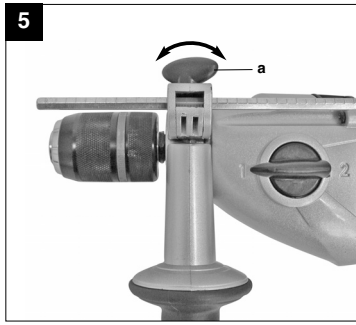
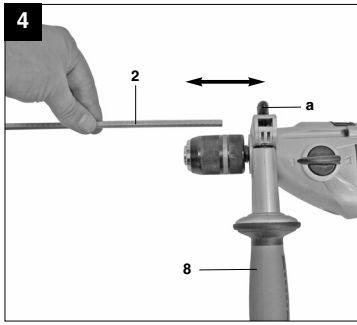
To avoid damaging the gearbox, the drill / hammer drill selector switch should only be moved when the machine is at a standstill

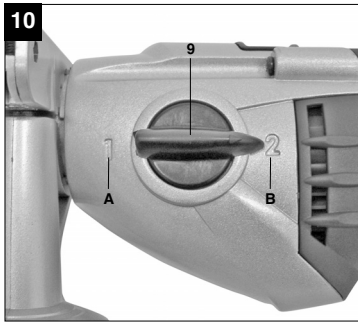


Change the gear only when the drill is at a standstill. If you fail to observe this point, the gearing may be damaged.









GB



"Caution - Read the operating instructions to reduce the risk of injury"



Wear ear-muffs.
The impact of noise can cause damage to hearing.



Wear a breathing mask.
Dust which is injurious to health can be generated when working on wood and other materials.
Never use the device to work on any materials containing asbestos!



Wear safety goggles.
Sparks generated during working or splinters, chips and dust emitted by the device can cause loss of sight.

**⚠ Important!**

When using equipment, a few safety precautions must be observed to avoid injuries and damage. Please read the complete operating manual with due care. Keep this manual in a safe place, so that the information is available at all times. If you give the equipment to any other person, give them these operating instructions as well. We accept no liability for damage or accidents which arise due to non-observance of these instructions and the safety information.

1. Safety regulations

The corresponding safety information can be found in the enclosed booklet.

⚠ CAUTION!

Read all safety regulations and instructions.

Any errors made in following the safety regulations and instructions may result in an electric shock, fire and/or serious injury.

Keep all safety regulations and instructions in a safe place for future use.

2. Layout (Fig. 1)

1. Drill chuck
2. Drill depth stop
3. Drill/hammer drill selector switch
4. Locking button
5. ON/OFF switch
6. Speed controller
7. Clockwise/Counter-clockwise switch
8. Additional handle
9. Speed selector switch
10. Storage compartment for drill bits

3. Proper use

The drill is designed for drilling holes into wood, iron, non-ferrous metals and rock using the appropriate bits.

The equipment is to be used only for its prescribed purpose. Any other use is deemed to be a case of misuse. The user / operator and not the manufacturer will be liable for any damage or injuries of any kind caused as a result of this.

Please note that our equipment has not been designed for use in commercial, trade or industrial

applications. Our warranty will be voided if the machine is used in commercial, trade or industrial businesses or for equivalent purposes.

4. Technical data

Mains voltage:	230 V ~ 50 Hz
Power input:	1050 W
Idling speed 1:	0-1,100 min ⁻¹
Idling speed 2:	0-3,000 min ⁻¹
Drilling capacity	Concrete 16 mm
	Steel 13 mm
	Wood 40 mm
Protection class:	II /
Weight:	3.3 kg

Sound and vibration

Sound and vibration values were measured in accordance with EN 60745.

L _{pA} sound pressure level	98.2 dB(A)
K _{pA} uncertainty	3 dB
L _{WA} sound power level	109.2 dB(A)
K _{WA} uncertainty	3 dB

Wear ear-muffs.

The impact of noise can cause damage to hearing.

Total vibration values (vector sum of three directions) determined in accordance with EN 60745.

Hammer drilling in concrete (handle)

Vibration emission value a_h = 23.804 m/s²

K uncertainty = 1.5 m/s²

Hammer drilling in concrete (additional handle)

Vibration emission value a_h = 15.382 m/s²

K uncertainty = 1.5 m/s²

Drilling in metal (handle)

Vibration emission value a_h = 5.954 m/s²

K uncertainty = 1.5 m/s²

Drilling in metal (additional handle)

Vibration emission value a_h = 3.590 m/s²

K uncertainty = 1.5 m/s²

GB**⚠ Important!**

The vibration value changes according to the area of application of the electric tool and may exceed the specified value in exceptional circumstances.

Keep the noise emissions and vibrations to a minimum.

- Only use appliances which are in perfect working order.
- Service and clean the appliance regularly.
- Adapt your working style to suit the appliance.
- Do not overload the appliance.
- Have the appliance serviced whenever necessary.
- Switch the appliance off when it is not in use.
- Wear protective gloves.

5. Before starting the equipment

Before you connect the equipment to the mains supply make sure that the data on the rating plate are identical to the mains data.

Always pull the power plug before making adjustments to the equipment.

5.1. Fitting the additional handle (Fig. 2-3/Item 8)

The additional handle (8) enables you to achieve better stability whilst using the hammer drill. Do not use the tool without the additional handle. The additional handle (8) is secured to the hammer drill by a clamp. During the handle clockwise tightens this clamp. Turning it anti-clockwise will release the clamp.

- The supplied additional handle (8) must first be fitted. To do this, the clamp must be opened by turning the handle until it is wide enough for the additional handle to be slid over the chuck (1) and on to the hammer drill.
- After you have positioned the additional handle (8), turn it to the most comfortable working position for you.
- Now turn the handle in the opposite direction again until the additional handle is secure.
- The additional handle (8) is suitable for both left-handed and right-handed users.

5.2 Fitting and adjusting the depth stop (Fig. 4-5/Item 2)

- Undo the thumb screw (a) on the additional handle (8) and insert the depth stop (2) in the hole of the additional handle.
- Set the depth stop and retighten the thumb screw.

- Now drill the hole until the depth stop touches the workpiece.

5.3 Fitting the drill bit (Fig. 6-7)

- Always pull the power plug before making adjustments to the equipment.
- Release the depth stop as described in 5.2 and push it towards the additional handle. This provides free access to the chuck (1).
- This hammer drill is fitted with a keyless chuck (1).
- Open the chuck (1). The drill bit opening must be large enough to fit the drill bit into.
- Select a suitable drill bit. Push the drill bit as far as possible into the chuck opening.
- Close the chuck (1). Check that the drill bit is secure in the chuck (1).
- Check at regular intervals that the drill bit or tool is secure (pull the mains plug).

6. Operation**6.1 ON/OFF switch (Fig. 8/Item 5)**

- First fit a suitable drill bit into the tool (see 5.3).
- Connect the mains plug to a suitable socket.
- Position the drill in the position you wish to drill.

To switch on:

Press the ON/OFF switch (5)

Continuous operation:

Secure the ON/OFF switch (5) with the locking button (4).

To switch off:

Press the ON/OFF switch (5) briefly.

6.2 Adjusting the speed (Fig. 8/Item 5)

- You can infinitely vary the speed whilst using the tool.
- Select the speed by applying a greater or lesser pressure to the ON/OFF switch (5).
- Select the correct speed: The most suitable speed depends on the workpiece, the type of use and the drill bit used.
- Low pressure on the ON/OFF switch (5): Lower speed (suitable for: small screws and soft materials)
- Greater pressure on the ON/OFF switch (5): Higher speed (suitable for large/long screws and hard materials)

Tip: Start drilling holes at low speed. Then increase the speed in stages.

Benefits:

- The drill bit is easier to control when starting the hole and will not slide away.
- You avoid drilling messy holes (for example in tiles).

6.3 Preselecting the speed (Fig. 8/Item 6)

- The speed setting ring (6) enables you to define the maximum speed. The ON/OFF switch (5) can only be pressed to the defined maximum speed setting.
- Set the speed using the setting ring (6) on the ON/OFF switch (5).
- Do not attempt to make this setting whilst the drill is in use.

6.4 Clockwise/Counter-clockwise switch (Fig. 8/Item 7)

- **Change switch position only when the drill is at a standstill!**
- Switch the direction of the hammer drill using the clockwise/counter-clockwise switch (7):

Direction	Switch position
Clockwise (forwards and drill)	Pushed in to the right
Counter-clockwise (reverse)	Pushed in to the left

6.5 Drill / hammer drill selector switch (Fig. 9/Item 3)

Change switch position only when the drill is at a standstill!

Drill

Drill / hammer drill selector switch (3) in the drill position. (Position A)
Use for: Wood, metal, plastic

Hammer drill

Drill / hammer drill selector switch (3) in the hammer drill position. (Position B)
Use for: Concrete, rock, masonry

6.6 Defining the speed range (Fig. 10)

The speed selector switch (9) enables you to work within a specific speed range.

Switch position, setting 1 (A)

Speed range: High torque, low speed

Switch position, setting 2 (B)

Speed range: Low torque, high speed

Important. Do not attempt to make this setting whilst the drill is in use.

6.7 Tips for working with your hammer drill

6.7.1 Drilling concrete and masonry

- Switch the Drill/Hammer drill selector switch (3) to position B (Hammer drill).
- Always use carbide drill bits and a high speed setting for drilling into masonry and concrete.

6.7.2 Drilling steel

- Switch the drill / hammer drill selector switch (3) to position A (drill).
- Always use HSS drill bits (HSS = high speed steel) and a low speed setting for drilling steel.
- We recommend that you lubricate the hole with a suitable cutting fluid to prevent unnecessary drill bit wear.

6.7.3 Inserting/Removing screws

- Switch the Drill/Hammer drill selector switch (3) to position A (drill).
- Use a low speed setting

6.7.4 Starting holes

If you wish to drill a deep hole in a hard material (such as steel), we recommend that you start the hole with a smaller drill bit.

6.7.5 Drilling tiles

- To start the hole, switch the drill / hammer drill selector switch (3) to position A (drill).
- Switch the drill / hammer drill selector switch (3) to position B (hammer drill) as soon as the drill bit has passed through the tiles.

7. Replacing the power cable

If the power cable for this equipment is damaged, it must be replaced by the manufacturer or its after-sales service or similarly trained personnel to avoid danger.



8. Cleaning, maintenance and ordering of spare parts

Always pull out the mains power plug before starting any cleaning work.

8.1 Cleaning

- Keep all safety devices, air vents and the motor housing free of dirt and dust as far as possible. Wipe the equipment with a clean cloth or blow it with compressed air at low pressure.
- We recommend that you clean the device immediately each time you have finished using it.
- Clean the equipment regularly with a moist cloth and some soft soap. Do not use cleaning agents or solvents; these could attack the plastic parts of the equipment. Ensure that no water can seep into the device.

8.2 Carbon brushes

In case of excessive sparking, have the carbon brushes checked only by a qualified electrician. Important! The carbon brushes should not be replaced by anyone but a qualified electrician.

8.3 Maintenance

There are no parts inside the equipment which require additional maintenance.

8.4 Ordering replacement parts:

Please quote the following data when ordering replacement parts:

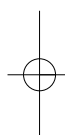
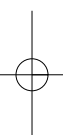
- Type of machine
- Article number of the machine
- Identification number of the machine
- Replacement part number of the part required

For our latest prices and information please go to www.isc-gmbh.info

9. Disposal and recycling

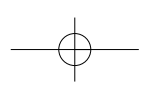
The unit is supplied in packaging to prevent its being damaged in transit. This packaging is raw material and can therefore be reused or can be returned to the raw material system.

The unit and its accessories are made of various types of material, such as metal and plastic. Defective components must be disposed of as special waste. Ask your dealer or your local council.



©
The reprinting or reproduction by any other means, in whole or in part,
of documentation and papers accompanying products is permitted only
with the express consent of ISC GmbH.

• Technical changes subject to change



GUARANTEE CERTIFICATE

Dear Customer,

All of our products undergo strict quality checks to ensure that they reach you in perfect condition. In the unlikely event that your device develops a fault, please contact our service department at the address shown on this guarantee card. Of course, if you would prefer to call us then we are also happy to offer our assistance under the service number printed below. Please note the following terms under which guarantee claims can be made:

1. These guarantee terms cover additional guarantee rights and do not affect your statutory warranty rights. We do not charge you for this guarantee.
2. Our guarantee only covers problems caused by material or manufacturing defects, and it is restricted to the rectification of these defects or replacement of the device. Please note that our devices have not been designed for use in commercial, trade or industrial applications. Consequently, the guarantee is invalidated if the equipment is used in commercial, trade or industrial applications or for other equivalent activities. The following are also excluded from our guarantee: compensation for transport damage, damage caused by failure to comply with the installation/assembly instructions or damage caused by unprofessional installation, failure to comply with the operating instructions (e.g. connection to the wrong mains voltage or current type), misuse or inappropriate use (such as overloading of the device or use of non-approved tools or accessories), failure to comply with the maintenance and safety regulations, ingress of foreign bodies into the device (e.g. sand, stones or dust), effects of force or external influences (e.g. damage caused by the device being dropped) and normal wear resulting from proper operation of the device. This applies in particular to rechargeable batteries for which we nevertheless issue a guarantee period of 12 months.

The guarantee is rendered null and void if any attempt is made to tamper with the device.
3. The guarantee is valid for a period of 2 years starting from the purchase date of the device. Guarantee claims should be submitted before the end of the guarantee period within two weeks of the defect being noticed. No guarantee claims will be accepted after the end of the guarantee period. The original guarantee period remains applicable to the device even if repairs are carried out or parts are replaced. In such cases, the work performed or parts fitted will not result in an extension of the guarantee period, and no new guarantee will become active for the work performed or parts fitted. This also applies when an on-site service is used.
4. In order to assert your guarantee claim, please send your defective device postage-free to the address shown below. Please enclose either the original or a copy of your sales receipt or another dated proof of purchase. Please keep your sales receipt in a safe place, as it is your proof of purchase. It would help us if you could describe the nature of the problem in as much detail as possible. If the defect is covered by our guarantee then your device will either be repaired immediately and returned to you, or we will send you a new device.

Of course, we are also happy offer a chargeable repair service for any defects which are not covered by the scope of this guarantee or for units which are no longer covered. To take advantage of this service, please send the device to our service address.

Poweron Imports Limited
17 Lorien Place
East Tamaki
Manukau City 2161
Auckland
Telephone (09) 2746950

EH 01/2010 (01)