



Einhell

BLUE

BG-BC 43 AS Petrol Scythe

Art.-No. 34.019.20

Features

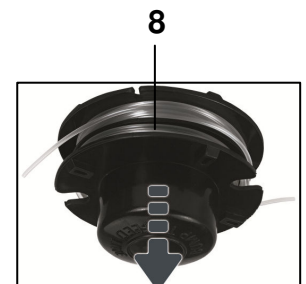
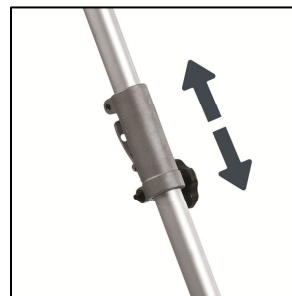
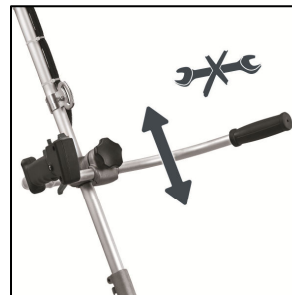
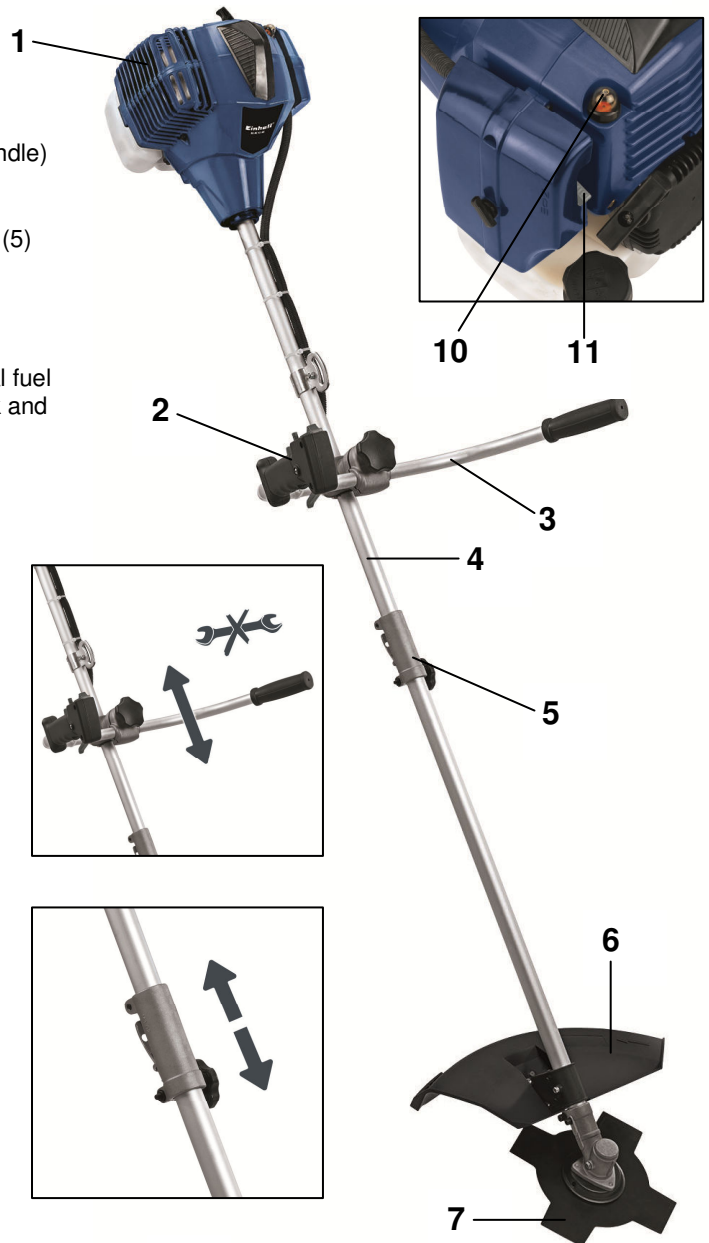
- High quality 2-stroke engine (1)
- Twin handle including all operational functions (2)
- Tool-free and universal adjustable twin handle (Bikehandle) made of aluminium for easy and accurate guidance (3)
- Alu shaft for fatigue-free working (4)
- Split shaft for easy transport and space saving storage (5)
- Knife protection cover (6)
- 4-teeth blade (7)
- Twin line spool with automatic jog system (8)
- Comfort carrying belt (9)
- Quick Start System: well reachable primer (10) (manual fuel pump), electronic ignition and auto choke (11) for quick and easy starting
- Anti-vibration function
- Full crank shaft
- Centrifugal clutch for cutting attachment

Technical data

- Power: **1.35 kW (1.8 HP)**
- Engine: 2-stroke
- Capacity: 42.7 ccm
- Cutting width double line: 41 cm
- Thread length: 8 m
- Thread-Ø: 2 mm
- Cutting width knife: 23 cm
- Petrol tank volume: 0.8 l
- Produkt weight: 6.9 kg

Logistic data

- Net weight: 8.79 kg
- Gross weight: 10.75 kg
- Packing dimensions: 1,005 x 290 x 320 mm
- Bar code: 4006825571240
- Sales unit: 1 pc



As special accessory available:

- **Spare knife** Art.-No.: 34.050.81
Einhell Grey Bar code: 4006825546026
- **Spare thread spool** Art.-No.: 34.050.86
Einhell Grey Bar code: 4006825546019