

## Radial tile cutting machine YPL 200

Art.-No.: **43.012.52**

Bar code: 4006825506549

Sales unit: 1 pcs

The radial tile cutting machine YPL 200 can be mounted quickly on the serial type support stand and is therefore suitable for mobile as well as stationary service.

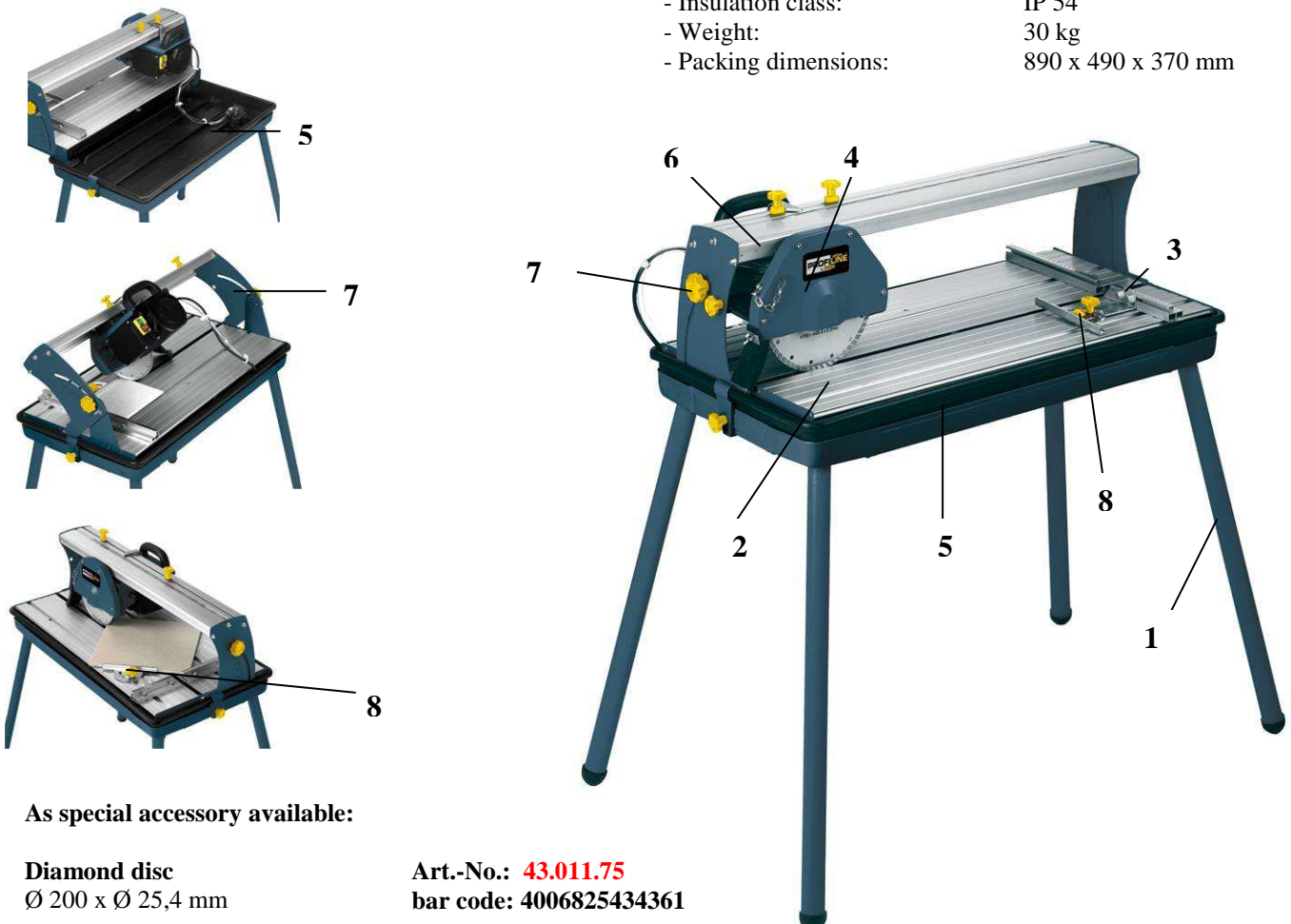
With its unit one can cut wall- and floor tile, split tiles etc. Angle and double mitre cuts are possible and also Jolly cuts. The diamond cutting disc is cooled with the integrated pump for cooling liquids and an almost dust free operation is possible.

### Features:

- Standard condition base (1)
- Aluminium table (2)
- Aluminium guide rail (3)
- sturdy sheet steel unit housing (4)
- Large water pan (5)
- Motor slide setting 4-fold on ball bearings (6)
- Motor setting from 0° - 45° continuous mitre setting (7)
- Angle stop (8)
- integrated water pump

### Technical data:

- Working table: 790 x 395 mm
- Working height: 700 mm
- 2 -phase motor: 230 V ~ 50 Hz
- Power: 800 watts
- Idle speed  $n_0$ : 2950 min<sup>-1</sup>
- Cutting depth max: 90° - 30 mm/45° 25mm
- Cutting length 15mm thickness: 470 mm
- Cutting length max: 520 mm
- Mitre cut: 0° - 45°
- Size of diamond disc: Ø 200 x Ø 25,4 mm
- Insulation class: IP 54
- Weight: 30 kg
- Packing dimensions: 890 x 490 x 370 mm



As special accessory available:

**Diamond disc**  
Ø 200 x Ø 25,4 mm

Art.-No.: **43.011.75**  
bar code: 4006825434361