



Einhell

BLUE

BG-SP 2768 Submersible pump

Art.-No. 41.704.40

Ideal to empty flooded basements, tanks and containers, etc. The installed float switch controls the ON/OFF functions of the pump. High quality of the material i. e. stainless steel-driving gear, top quality axial face seal, screwed cable locks made of stainless steel warrant an almost corrosion-free and a long service life. The complete housing is made of an impact resistant material (plastic).

Features

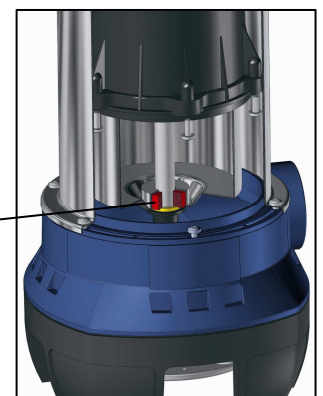
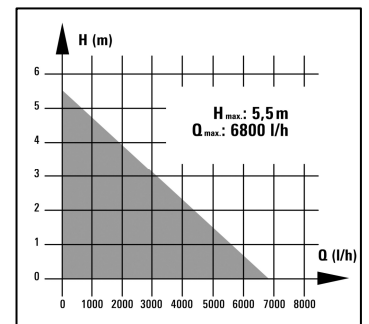
- Handle (1)
- Float switch (2)
- Universal connection for 25 mm (1") and 32 mm (1¼") male thread hose connection as well as G1 (ca. 33.3 mm) male thread
- 90 °angel bracket G1½ (ca. 47.8 mm) male thread x G1½ (ca. 47.8 mm) male thread (3)
- Cable reel (4)
- High quality floating ring seal (5)

Technical Data

- | | |
|--------------------------------|---------------------------------|
| ■ Mains: | 230 V ~ 50 Hz |
| ■ Power: | 270 W |
| ■ Delivery capacity max.: | 6,800 l/h |
| ■ Delivery height max.: | 5.5 m |
| ■ Immersion depth: | 5 m |
| ■ Water temperature: | up to 35 °C |
| ■ Hose connection: | G1½ (ca. 47.8 mm) female thread |
| ■ Foreign particle size up to: | Ø 5 mm |
| ■ Mains cable: | 10 m H05RN-F |
| ■ ON function: | approx. 50 cm |
| ■ OFF function: | approx. 5 cm |
| ■ Exhaust height: | 8 mm |
| ■ Net weight: | 4.0 kg |
| ■ Gross weight: | 4.5 kg |
| ■ Packing dimensions: | 220 x 180 x 315 mm |
| ■ Bar code: | 4006825556179 |
| ■ Sales unit: | 4 pcs |



Performance data:



As special accessory available:

PVC-drainage hose 10 m/1"
Einhell Grey

Art.-No.: 41.737.14
Bar code: 4006825549249



Abbildungen können nicht im Serien-Lieferumfang enthaltenes Zubehör darstellen / Illustrations can contain accessories, which are not included in standard extent of delivery. Abbildungen ähnlich, produktionsbedingte Abweichung vorbehalten / Illustration similar (in design), production-wise modifications reserved.

File: V:\Einhell-AG\TP-BK\2013\TLT-Sek\01-Sek-allgemein\Azubi\PA04-I-No-Wechsel-Anpassung-08-2013\Originale Englisch-Vorgaenger-Version\4170440_11021.doc

Erstelldatum/create date: 02.03.2009 11:45:00Aktualisiert/up dated: 28.08.2013