

The small-sized solution  
for precision drilling!

**Einhell**®  
NEW GENERATION



The SB 401/1 precision pillar drill is equipped with a V-belt drive, a continuously height-adjustable, tilting and laterally pivoting drilling table, a ball-raced drill spindle, an ON/OFF switch with no-load function, a contact switch in the V-belt housing, a folding eye shield and a bottom stop.



## SB 401/1 Pillar Drill

Available as special accessory:

Vice:

Art. No.: 42.257.06

Ident. No.: 00010

Bar Code: 4006825 421002



### Logistic Information:

<b>Type:</b>	<b>SB 401/1</b>	<b>Sales unit:</b>	1 pc
<b>Art. No.:</b>	42.504.20	<b>20°:</b>	720 pcs
<b>Ident. No.:</b>	01014	<b>40°:</b>	-- pcs
<b>Bar Code:</b>	4006825 505047	<b>40° HC:</b>	-- pcs
<b>Packing:</b>	435x350x235 mm	<b>Weight:</b>	18.3 kgs (gross)



Abbildungen können nicht im Serien-Lieferumfang enthaltenes Zubehör darstellen / Illustrations may contain accessories not included in the standard scope of delivery. Abbildungen ähnlich, produktionsbedingte Abweichung vorbehalten / Illustrations will be similar (in design), production-related modifications reserved without prior notice.

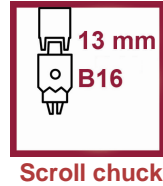
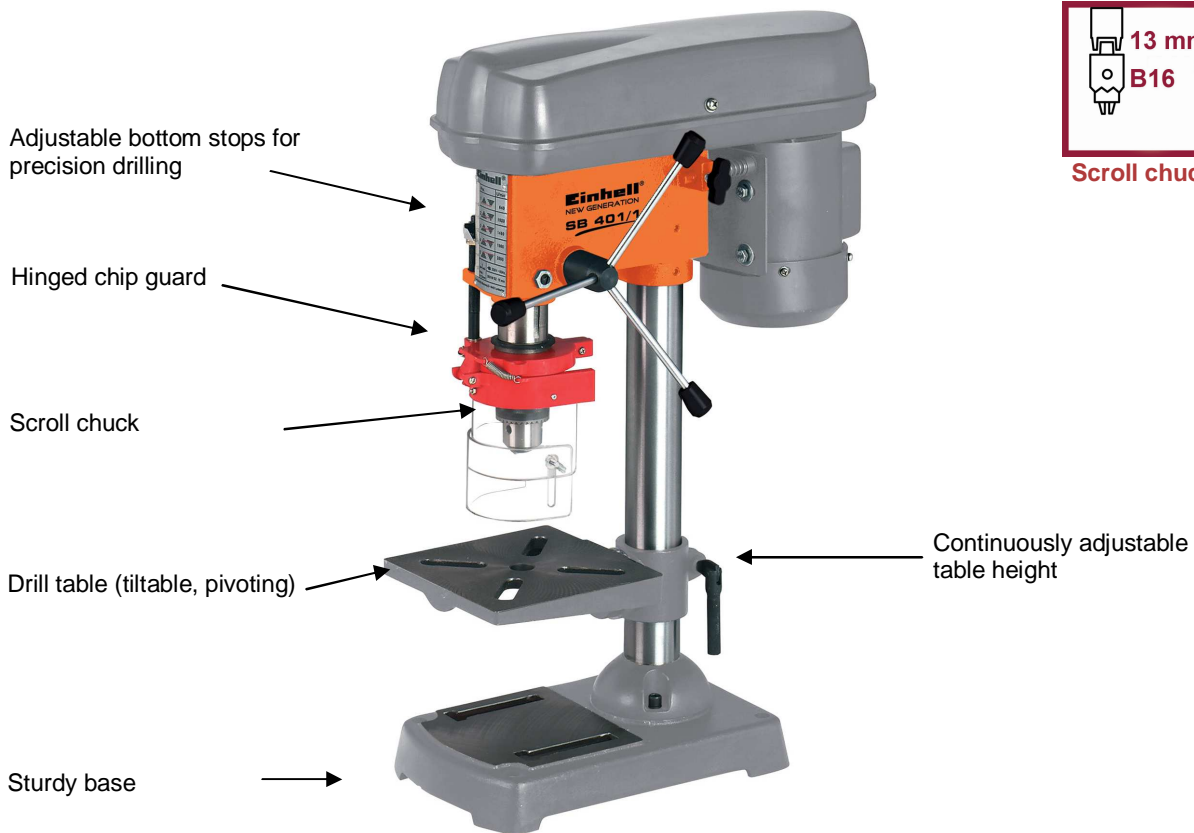
File: S:\shared-pool\Product-Dokumentation\T-Produktbeschreibung\30\_n0\Originale\_Englisch\_PA04\4250420\_01014.doc

Erstelldatum/create date: 21.06.2006 14:51:00Aktualisiert/up dated: 17.08.2006

# The small-sized solution for precision drilling!

# Einhell®

## NEW GENERATION



### Features:

- Adjustable bottom stops for precision drilling
- 5-fold speed graduation 580 – 2,650 min<sup>-1</sup>
- Ball-raced drill spindle
- ON/OFF switch with zero voltage-releasing
- Continuously adjustable table height
- Scroll chuck
- Hinged chip guard
- Drill table (tiltable, pivoting)

### Technical Data:

- Mains: 230V ~ 50Hz
- Power: 350 watts (S2 15 min.)
- Motor speed: 1400 min<sup>-1</sup>
- Spindle speed: 5 step 580 – 2650 min<sup>-1</sup>
- Drill table adjustment: -45° to + 45°
- Scroll chuck: Ø 1.5 to 13 mm
- Drill chuck mount: B16
- Throat: 104 mm
- Max. drill depth: 50 mm
- Pillar diameter: 46 mm
- Size of base table: 290 x 185 mm
- Size of drill table: 160 x 160 mm
- Height: 590 mm

### Logistic Information:

<b>Type:</b>	<b>SB 401/1</b>	<b>Tool:</b>	<b>Pillar Drill</b>
<b>Art. No.:</b>	42.504.20	<b>Sales unit:</b>	1 pc
<b>Ident. No.:</b>	01014	<b>20`:`:</b>	720 pcs
<b>Bar Code:</b>	4006825 505047	<b>40`:`:</b>	-- pcs
<b>Packing:</b>	435x350x235 mm	<b>40``HC:</b>	-- pcs
		<b>Weight:</b>	18.3 kgs (gross)



Abbildungen können nicht im Serien-Lieferumfang enthaltenes Zubehör darstellen / Illustrations may contain accessories not included in the standard scope of delivery. Abbildungen ähnlich, produktionsbedingte Abweichung vorbehalten / Illustrations will be similar (in design), production-related modifications reserved without prior notice.

File: S:\shared-pool\Product-Dokumentation\T-Produktbeschreibung\30\_n0t\Originale\_Englisch\_PA04\4250420\_01014.doc  
Erstelldatum/create date: 21.06.2006 14:51:00Aktualisiert/up dated: 17.08.2006