

**Einhell®**

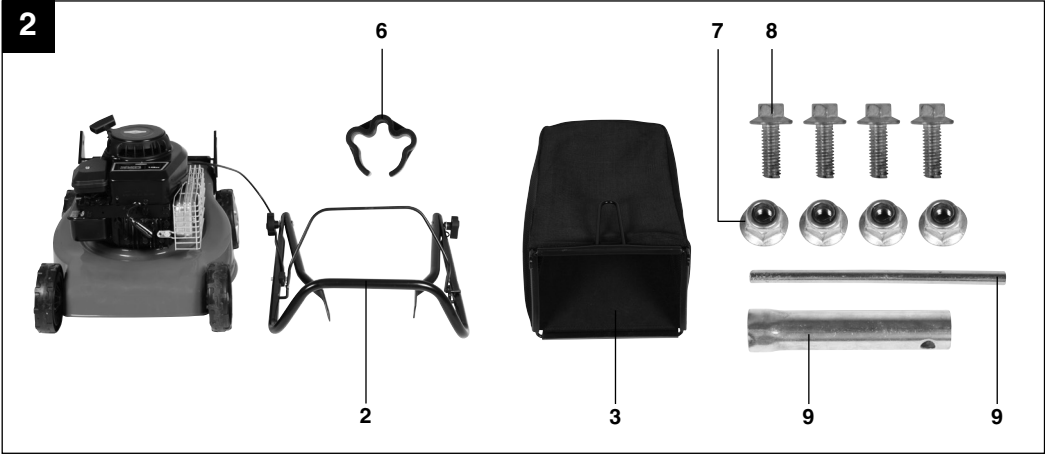
Ⓞ **Original operating instructions  
Petrol Lawn Mower**

**7**

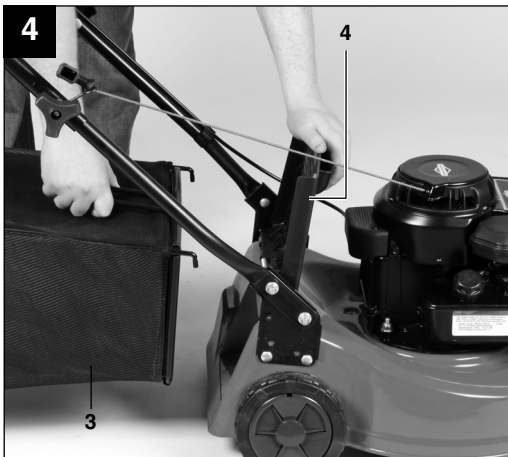
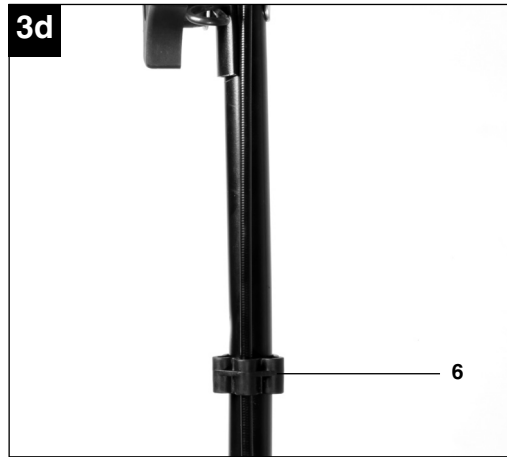
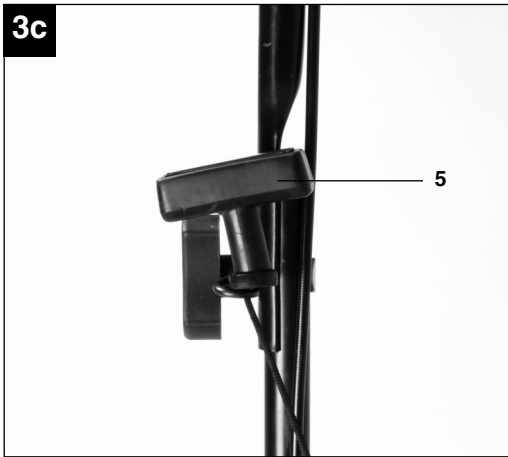
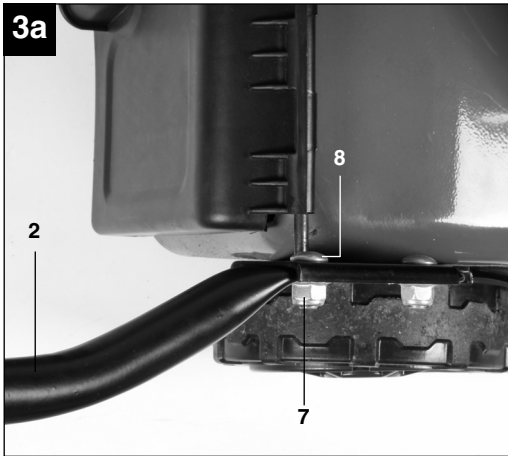
**Art.-Nr.: 34.024.53**

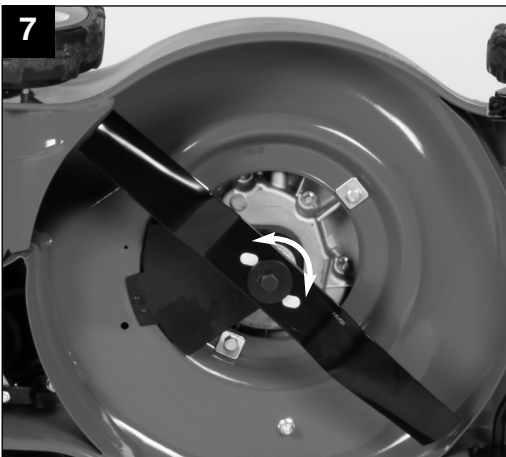
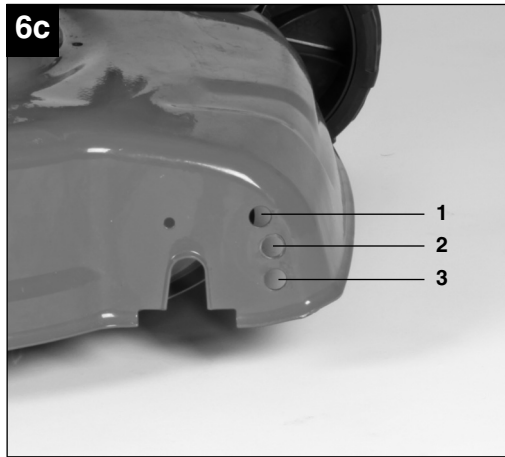
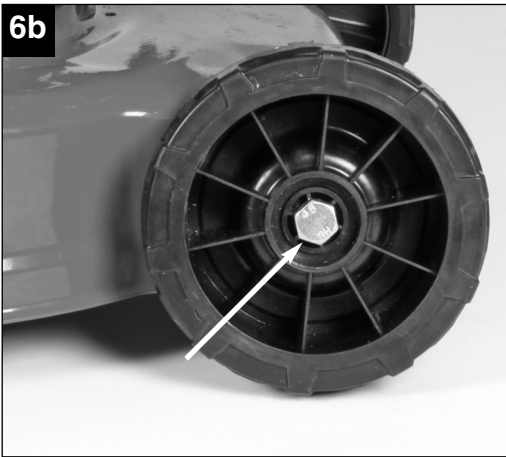
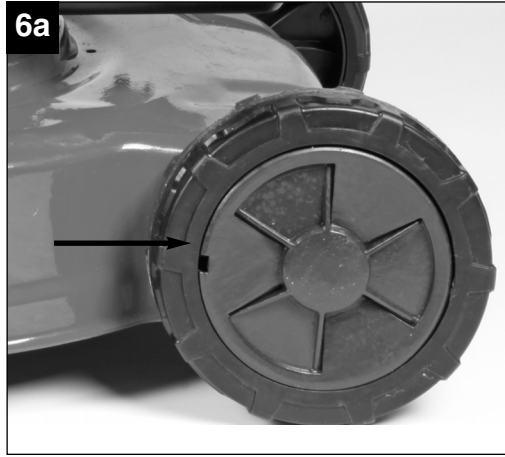
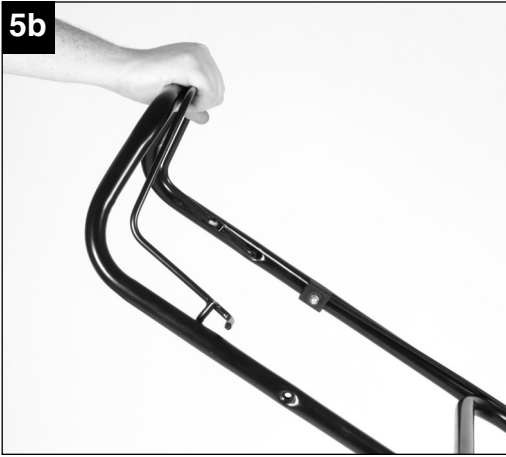
**I.-Nr.:11011**

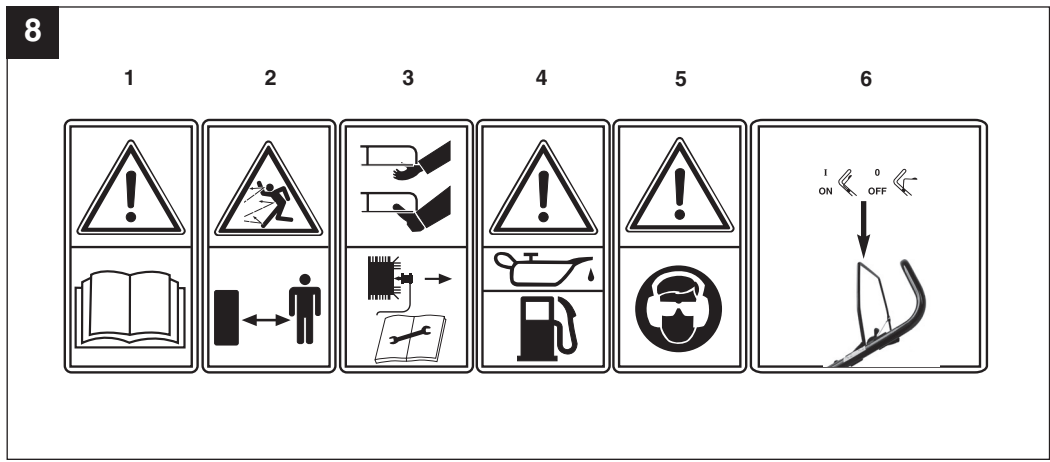
**BG-PM 40 B&S**



2







“Caution - Read the operating instructions to reduce the risk of injury”



**Wear ear-muffs.**  
The impact of noise can cause damage to hearing.



**Wear safety goggles.**  
Sparks generated during working or splinters, chips and dust emitted by the device can cause loss of sight.

**GB**

**Table of contents:**

1. Safety information
2. Layout
3. Items supplied
4. Intended use
5. Technical data
6. Before starting the equipment
7. Operation
8. Cleaning, maintenance, storage, transport and ordering of spare parts
9. Disposal and recycling
10. Troubleshooting guide

**⚠ Important.**

When using the equipment, a few safety precautions must be observed to avoid injuries and damage. Please read the complete operating instructions and safety information with due care. Keep these operating instructions in a safe place so that the information is available at all times. If you give the equipment to any other person, hand over these operating instructions and the safety information as well. We cannot accept any liability for damage or accidents which arise due to a failure to follow these instructions and the safety information.

**1. Safety instructions for hand mower****Note**

1. Read the directions with due care. Familiarize yourself with the settings and proper operation of the equipment.
2. Never allow children or other persons who are not familiar with the operating instructions to use the mower. Contact your local governmental agency for information regarding minimum age requirements for the user.
3. Never mow in the direct vicinity of persons - especially children - or animals. Always keep in mind that the operator or user of the equipment is responsible for accidents involving other persons and/or their property.
4. If you give the equipment to any other person, give them these operating instructions as well.

**Preliminary measures**

1. Always wear sturdy, non-slip footwear and long trousers when mowing. Never mow barefoot or in sandals.
2. Check the ground on which the equipment will be used and remove all objects that could be caught up and violently flung out.
3. **Warning:** Petrol is highly flammable! Therefore:
  - Only store petrol in containers designed to hold petroleum-based liquids.
  - Only refuel out in the open and do not smoke during the refuelling process.
  - Always refuel the lawn mower before starting the engine. Do not open fuel tank cap and do not refuel when the engine is running or when the scythe is hot.
  - If petrol has overflowed, do not under any circumstances attempt to start the engine. Instead, remove the equipment from the affected area. Avoid starting the engine until the petrol fumes have completely evaporated.
  - For safety reasons, the petrol tank and other

tank closures must be replaced if they are damaged.

4. Replace defective mufflers.
5. Before using the scythe, visually inspect it to ensure that the blade, mounting bolts and the entire cutting apparatus are in good working order (i.e. not worn out or damaged). To prevent any imbalance, replace worn out or damaged blades and mounting bolts as a set only (if applicable).
6. Please note that where a mower has more than one blade, the rotation of one of the blades can cause the others to rotate as well.

**Handling**

1. Do not let the combustion engine run in enclosed areas, as dangerous carbon monoxide gas can build up.
2. Only mow in broad daylight or in well-lit conditions. If possible, avoid using the equipment on wet grass.
3. Always maintain good footing on inclines.
4. Only operate the machine at a walking pace.
5. For machines with wheels: Always mow across hills i.e. never straight up or straight down.
6. Be particularly careful when you change direction on a slope.
7. Do not mow on overly steep inclines.
8. Always be extra careful when turning the mower around and when pulling it towards you.
9. Switch off the lawn mower and ensure that the blade has stopped rotating whenever the mower has to be tilted for transporting over areas other than lawns and whenever it has to be moved from or to the area you want to mow.
10. Never use the lawn mower if the blade or safety grilles are damaged, or without the attached guards, e.g. deflectors and/or grass catching devices.
11. Do not adjust or overclock the engine speed settings.
12. Release the engine brake, before you start the engine.
13. Start the engine with caution as described in the manufacturer's instructions. Make sure that your feet are far enough away from the mower blade!
14. Do not tilt the lawn mower when you start the engine unless the mower must be raised off of the ground a little in order to start it. In this case, tilt it as little as absolutely necessary and only raise the side opposite to that of the user.
15. Do not start the engine if you are positioned in front of the chute.
16. Never move your hands or feet toward or under any rotating parts. Keep clear of the chute opening at all times.
17. Never lift or carry a lawn mower with the engine

**GB**

- running.
18. Switch off the engine and pull the spark plug boot:
    - before you dislodge any blockages or clogs in the chute.
    - before carrying out any checks, cleaning, maintenance or other work on the lawn mower.
    - if you have struck a foreign object. Examine the mower for signs of damage and carry out any necessary repairs before restarting and continuing to work with the mower. If the lawn mower begins to experience exceptionally strong vibrations, immediately switch it off and check it.
  19. Switch off the engine:
    - when you leave the lawn mower
    - before you refuel.
  20. When you switch off the engine, move the speed lever to the "Stop" position. Close the petrol cock.
  21. Operating the equipment at excessive speed may increase the risk of accidents.
  22. Carry out adjustment work on the equipment with care and avoid jamming your fingers between the moving blades and rigid parts of the equipment.

**Maintenance and storage**

1. Make sure that all nuts, bolts and screws are tightened securely and that the machine is in safe working condition.
2. Never store the mower (with petrol in the tank) inside a building in which petrol fumes could come into contact with open flames or sparks.
3. Allow the engine to cool before you put the lawn mower in an enclosed area.
4. In order to avoid fire hazards, keep the engine, exhaust and the area around the fuel tank free from grass, leaves and leaking grease (oil).
5. Routinely check the grass basket for signs of wear and impaired functionality.
6. For your own safety, replace worn or damaged parts without delay.
7. If the fuel tank needs to be emptied, ensure that it is done out in the open with a petrol suction pump (available from DIY stores).

**⚠ CAUTION****Read all the safety regulations and instructions.**

Any errors made in following the safety information and instructions set out below may result in an electric shock, fire and/or serious injury.

**Keep all safety information and instructions in a safe place for future use.**

**Explanation of the warning signs on the equipment (see Fig. 8)**

- 1) Read the operating instructions
- 2) Important. Danger from catapulted parts. Keep a safe distance.
- 3) Important. Switch off the engine and pull the spark plug boot before doing any maintenance, repair, cleaning or adjustment work.
- 4) Fill with oil and fuel before starting
- 5) Caution! Wear ear protection and safety goggles.
- 6) Engine start/stop lever (I=Engine on; 0=Engine off)

**2. Layout (Fig. 1/2)**

1. Engine start/stop lever (engine brake)
2. Push bar
3. Grass bag
4. Ejector flap
5. Starter cable
6. Cable clip (1x)
7. Nut (4x)
8. Screw (4x)
9. Spark plug wrench

**3. Items supplied**

Please check that the article is complete as specified in the scope of delivery. If parts are missing, please contact our service center at the latest within 5 work days after purchasing the article and upon presentation of a valid bill of purchase. Also, refer to the warranty table in the warranty provisions at the end of the operating instructions.

- Open the packaging and take out the equipment with care.
- Remove the packaging material and any packaging and/or transportation braces (if available).
- Check to see if all items are supplied.
- Inspect the equipment and accessories for transport damage.
- If possible, please keep the packaging until the end of the guarantee period.



**IMPORTANT**

**The equipment and packaging material are not toys. Do not let children play with plastic bags, foils or small parts.**

**There is a danger of swallowing or suffocating!**

- Petrol lawn mower
- Push bar
- Grass basket
- Cable clip (1x)
- Nut (4x)
- Screw (4x)
- Spark plug wrench
- Petrol service manual
- Original operating instructions

**4. Intended use**

The equipment may only be used for the tasks it is designed to handle. Any other use is deemed to be a case of misuse. The user/operator and not the manufacturer will be liable for any damage or injuries of any kind caused as a result of this.

The petrol lawn mower is intended for private use i.e. for use in home and gardening environments.

Private use of the lawn mower refers an annual operating time generally not exceeding that of 50 hours, during which time the machine is primarily used to maintain small-scale, residential lawns and home/hobby gardens. Public facilities, sporting halls, and agricultural/forestry applications are excluded.

Please note that our equipment has not been designed for use in commercial, trade or industrial applications. Our warranty will be voided if the equipment is used in commercial, trade or industrial businesses or for equivalent purposes.

The operating instructions as supplied by the manufacturer must be kept and referred to in order to ensure that the lawn mower is properly used and maintained. The instructions contain valuable information on operating, maintenance and servicing conditions.

**Important.** Due to the high risk of bodily injury to the user, the petrol lawn mower must not be used to carry out the following work: Trim bushes, hedges or shrubs, to cut scaling vegetation, planted roofs, or balcony-grown grass, to clean (suck up) dirt and debris off walkways, or to chop up tree or hedge clippings. Moreover, the lawn mower may not be

used as a power cultivator to level out high areas such as molehills.

For safety reasons, the lawn mower may not be used as a drive unit for other work tools or toolkits of any kind.

**5. Technical data**

Note:

The enclosed manual from Briggs & Stratton provides detailed technical data on the engine!

Engine type:

|                            |  |
|----------------------------|--|
|                            | One-cylinder four-stroke engine, 148 ccm |
| Working speed $n_0$ :      | 2900 ± 50 min <sup>-1</sup>              |
| Fuel:                      | Petrol                                   |
| Cutting height adjustment: | (30-60 mm)                               |
| Cutting width:             | 400 mm                                   |
| Weight:                    | 21 kg                                    |

**Sound and vibration**

|                               |            |
|-------------------------------|------------|
| $L_{pA}$ sound pressure level | 81.2 dB(A) |
| $K_{pA}$ uncertainty          | 3 dB       |
| $L_{WA}$ sound power level    | 96 dB(A)   |
| $K_{WA}$ uncertainty          | 3 dB       |

**Wear ear-muffs.**

The impact of noise can cause damage to hearing.

Vibration emission value  $a_h = 4.042 \text{ m/s}^2$

K uncertainty = 1.5 m/s<sup>2</sup>

**6. Before starting the equipment****6.1 Assembling the components**

Some parts of the mower come disassembled. For quick and easy assembly, read and follow the instructions below.

**Important.** You will need the following additional tools (not supplied) for assembly, and also for maintenance work:

- A flat oil drip tray (for changing the oil)
- A 1 liter measuring jug (oil/petrol resistant)
- A petrol can
- A funnel (suitable for the tank's petrol filler neck)
- Household wipes (to wipe up oil/petrol residue; dispose of these at a filling station)

**GB**

- A petrol suction pump (plastic, available from DIY stores)
- An oil can with hand pump (available from DIY stores)
- Engine oil

**Assembly**

1. Fasten the push handle (Fig. 3a / Item 2) with one screw (Fig. 3a / Item 8) and one nut (Fig. 3a / Item 7) each on either side, making sure that the cable pulls to be installed later on are not in the way.
2. Unfold the push bar and fix it into place by tightening the star screws as shown in Figure 3b.
3. Insert the grip of the starter cord (Fig. 3c/Item 5) into the hook provided for that purpose as shown in Figure 3c.
4. Fasten the cords to the push bar with the supplied cable clip (Fig. 3d/Item 6).
5. Lift the ejector flap (Fig. 4 / Item 4) with one hand and hook in the grass bag (Fig. 4/Item 3) as shown in Figure 4.

**6.2 Setting the cutting height**

**Important. Adjust the cutting height only when the engine is switched off and the plug boot has been pulled.**

- Before you begin to mow, check to ensure that the blade is not blunt and that none of the fasteners are damaged. To prevent any imbalance, replace blunt and/or damaged blades as a set only (if applicable). To carry out this check, first switch off the engine and pull the spark plug boot.
  - The cutting height is not adjusted at a single central point – instead, each of the 4 wheels have to be adjusted separately. Three different cutting heights are available. (As-delivered state: Medium cutting height)  
**Caution:** All 4 wheels have to be set to the same cutting height.
1. Lever out the wheel cap from the wheel by applying a screwdriver in the opening provided (Fig. 6a)
  2. Open the wheel bolt (Fig. 6b).  
**Important:** The wheel bolts have a right-handed thread on the right-hand side and a left-handed thread on the left-hand side.  
**Important:** There is a metal washer between the wheel and the mower housing. Make sure that you fit this washer back in place between the wheel and the housing during reassembly. We recommend that you first change both wheels on one side followed by both wheels on the other side.

3. Remove the wheel and screw it back on tightly in the desired position (Fig. 6c)  
Position 1: Low cutting height  
Position 2: Medium cutting height (As-delivered state (sufficient for normal use)).  
Position 3: High cutting height
4. Fit the wheel cap back on again and follow the same procedures to adjust the other 3 wheels to the same height and position.

**7. Using the petrol lawn mower****Important.**

**The engine is supplied without oil and petrol. Therefore, be sure to add oil and petrol before starting the engine.**

In order to avoid any unintentional start-ups of the lawn mower, it comes equipped with an engine brake (Fig. 5a/Item 1) which must be pulled back before the engine can be started. When the engine start/stop lever is released it must return to its initial position, at which point the engine automatically switches off.

Whenever you need to perform any kind of adjustment and/or repair work on your lawn mower, wait until the blade has come to a complete stop. Always switch off the engine before carrying out any adjustments, maintenance or repairs.

**Note:**

1. Engine brake (Fig. 5a/Item 1): Use the engine start/stop lever to switch off the engine. When you release the engine start/stop lever, the engine and blade will automatically stop. To mow, hold the lever in the working position (Fig. 5b). Before you start to mow, check the start/stop lever several times to be sure that it is working properly. Ensure that the tension cable can be smoothly operated (i.e. is not catching or kinking in any way).
2. **Warning:** The blade begins to rotate as soon as the engine is started.  
**Important:** Before you start the engine, move the engine brake several times to be sure that the stop cable is properly working.  
**Note:** The engine is factory set to a speed that is optimal for cutting and blowing grass into the basket and is designed to provide many years of use.
3. Check the oil level.
4. Use a funnel and measuring vessel to fill the tank with petrol. Make sure that the petrol is clean.

**Warning:** Never use more than one safety petrol can. Do not smoke when refueling. Switch off the engine before refueling and allow the engine to cool down for a few minutes.

5. Ensure that the ignition cable is connected to the spark plug.
6. Stand behind the mower. Place one hand on the engine start/stop lever. Place the other hand on the starter handle.

### 7.1 Before mowing

#### Important information:

1. Make sure that you are properly dressed when mowing. Wear sturdy footwear; do not wear sandals or tennis shoes.
2. Inspect the blade. Blades, that are bent or otherwise damaged, must be exchanged for a genuine Einhell replacement blade.
3. Do not fill the fuel tank indoors, but rather out in the open. Use a funnel and a measuring vessel. Wipe off any spilled petrol.
4. Read and follow in the instructions in the operating manual as well as the information regarding the engine and accessory equipment. Store the manual in a place where it can be readily accessed by other users of the machine.
5. Exhaust gas is dangerous. Only start the engine out in the open.
6. Make sure that all the guards are fitted and that they are in good working order.
7. The machine should only be operated by persons who are well informed with the way it works and who are in reasonably good physical condition.
8. Mowing wet grass can be dangerous. Mow the grass when it is as dry as possible.
9. Tell other persons and children to stay away from the mower.
10. Never mow in conditions of poor visibility.
11. Pick up any loose objects and debris on the lawn prior to mowing.

### 7.2 Tips on mowing properly

**Important. Never open the chute flap when the grass bag has been detached (to be emptied) and the engine is still running. The rotating blade can cause serious injuries!**

Always carefully fasten the chute flap and grass basket. Switch off the engine before emptying the grass basket.

Always ensure that a safe distance (provided by the length of the long handles) is maintained between the user and the mower housing. Be especially careful

when mowing and changing direction on slopes and inclines. Maintain a solid footing and wear sturdy, non-slip footwear and long trousers. Always mow along the incline (not up and down).

For safety reasons, the lawn mower may not be used to mow inclines whose gradient exceeds 15 degrees.

Use special caution when backing up and pulling the lawn mower. Tripping hazard!

### 7.3 Mowing

Only use a sharp blade that is in good condition. This will prevent the grass blades from fraying and the lawn from turning yellow.

Try to mow in straight lines for a nice, clean look. The swaths should overlap each other by a few centimeters in order to avoid stripes.

Keep the underside of the mower housing clean and remove grass build-up. Deposits not only make it more difficult to start the mower; they decrease the quality of the cut and make it harder for the machine to bag the grass. Always mow along inclines (not up and down). You can prevent the lawn mower from slipping down by holding a position at an angle upwards. Select the cutting height according to the length of the grass. If necessary, mow a number of times so that you never cut more than 4cm of grass in one go.

Switch off the engine before doing any checks on the blade. Keep in mind that the blade continues to rotate for a few seconds after the engine has been switched off. Never attempt to manually stop the blade.

Regularly check to see if the blade is securely attached, is in good condition and is sharp. If the contrary is the case, sharpen the blade or replace it. In the event that the blade strikes an object, immediately switch off the lawn mower and wait for the blade to come to a complete stop. Then inspect the condition of the blade and the blade mount. Replace any parts that are damaged.

#### Tips for proper mowing:

1. Pay attention to ensure that you do not run into or over anything that could damage the mower. The lawn mower could be damaged and/or the machine could inflict bodily injury.
2. A hot engine, exhaust or drive unit can burn the skin if touched. Thus, do not touch these parts unless the mower has been switched off for a while and you know that they have cooled down!
3. Use extra caution when mowing on inclines and steep grades.

**GB**

4. Insufficient daylight or an insufficient level of artificial light is one reason not to mow.
5. Check the mower, the blade and other parts if they have struck a foreign object or if the machine vibrates more than usual.
6. Do not make any adjustments or repairs until the engine has been switched off. Pull the plug boot.
7. Pay special attention if you are mowing directly next to a street or are close by one (traffic). Always keep the grass chute pointed away from the street.
8. Avoid mowing in places where the wheels have trouble gripping or mowing is unsafe in any other way. Before you back up, ensure that nobody is standing behind you (especially little children, who are more difficult to see).
9. When mowing over thick, high grass, select the highest cutting level and mow at a slower speed. Before you remove any grass or blockages of any kind, switch off the engine and pull the plug boot.
10. Never remove any safety-related parts.
11. Never fill the engine with petrol when it is hot or is running.

#### 7.4 Emptying the grass basket

As soon as grass clippings start to trail the lawn mower, it is time to empty the grass basket.

**Important. Before taking off the grass basket, switch off the engine and wait until the blade has come to a stop.**

To take off the grass basket, use one hand to lift up the chute flap and the other to grab onto the basket carry-handle. Remove the basket (Fig. 4). For safety reasons, the chute flap automatically falls down after removing the grass basket and closes off the rear chute opening. If any grass remains in the opening, it will be easier to restart the engine if you pull the mower back approximately 1m.

Do not use your hands or feet to remove clippings in or on the mower housing, but instead use suitable tools such as a brush or a hand broom.

In order to ensure that the majority of grass clippings are picked up, the inside of both the grass bag and especially the air grill must be cleaned after each use.

Reattach the grass bag only when the engine is switched off and the blade is stopped.

Using one hand, lift up the chute flap, while grabbing onto the basket handle with the other. Hang in the basket from the top.

#### 7.5 After mowing

1. Allow the engine to cool before you put the lawn mower in an enclosed area.
2. Remove grass, foliage, grease and oil before storing the mower. Do not place any objects on top of the mower.
3. Before using the mower again, retighten all nuts and screws. Tighten all screws which were slackened.
4. Also be sure to empty the grass basket.
5. Disconnect the spark plug boot to prevent unauthorized use.
6. Ensure that you do not park the mower next to any source of danger. Petrol fumes can lead to explosions.
7. Only original parts or parts approved by the manufacturer may be used for repairs (see address on the warranty certificate).
8. Empty the petrol tank with a petrol extraction pump if you are not intending to use the mower for an extended period of time.
9. Tell your children not to use the mower. It is not a toy.
10. Never place petrol near an ignition source. Always use a can that is approved to store petrol. Keep petrol away from children.
11. Oil and maintain the machine.
12. How to switch off the engine:  
**All you have to do to switch off the engine is release the engine start/stop lever (Fig. 5a/Item 1).**

Pull the ignition cable from the spark plug boot in order to prevent the engine from restarting. Before you start the engine again, check the cord for the engine brake. Check that the cord is correctly fitted. If the cord is kinked or damaged, it should be replaced.

## 8. Cleaning, maintenance, storage, transport and ordering of spare parts

### Important:

Never work on or touch any current-conducting parts of the ignition system while the engine is running. Pull the spark plug boot from the spark boot before doing any maintenance or assembly work. Never carry out any work on the equipment while the engine is running. Work that is not described in these operating instructions, should only be carried out by authorized workshops.

### 8.1 Cleaning

The lawn mower should be cleaned thoroughly every time after it has been used. This particularly applies to its underside and the blade mount. For this purpose, tilt the lawn mower onto its left side (opposite the oil-filler neck).

**Note:** Before placing the lawn mower on its side, fully drain the fuel tank using a petrol extraction pump. Do not tilt the lawn mower by more than 90 degrees. It is easiest to remove dirt and grass immediately after mowing. Dried grass remnants and dirt may impair the mowing operation. Check if the grass ejector chute is free of grass remnants and remove any if necessary. Never clean the mower using a water jet or a high-pressure cleaner. Ensure that no water can get into the interior of the equipment. Do not use aggressive cleaning agents such as cold cleaners or petroleum ether.

### 8.2 Servicing

**Important: The enclosed engine manual from Briggs & Stratton provides maintenance information and maintenance interval information on the engine.**

Dispose of soiled maintenance material and operating materials at the appropriate collection point.

#### 8.2.1 Axles and wheel hubs

A thin coating of grease should be applied to the axles and wheel hubs once per season. To do so, remove the wheel caps with a screwdriver and loosen the fastening screws on the wheels.

#### 8.2.2 Blades

For safety reasons, have all blade sharpening, balancing and mounting work carried out by an authorized service center. To achieve optimal results, we recommend to have the blades checked once a year.

### Changing the blades (Fig. 7)

When changing the cutting unit, be sure to use only genuine replacement parts. The identification mark on the blade must correspond with the number specified in the spare parts list. Never install a blade from a different manufacturer.

### Damaged blades

If, in spite of all caution, the blade comes into contact with an obstacle, switch off the engine immediately and pull the spark plug boot. Tilt the mower to the side and check the blade for damage. Damaged or bent blades must be replaced. Never straighten a bent blade. Never work with bent or heavily worn blades as this will result in vibrations, causing further damage to the mower.

**Important:** Risk of injury when working with a damaged blade.

### Resharpener the blade

The blade edges can be resharpened with a metal file. To avoid imbalance, the blade resharpening work should only be carried out by an authorized service center.

### 8.2.3 Care and adjustment of the cable pulls

Oil the cable pulls at regular intervals and check that they move easily.

### 8.2.4 Repair

After carrying out repair or maintenance work, ensure that all safety parts are installed and in perfect condition. Store potentially hazardous parts out of the reach of other persons and children.

**Important:** In accordance with the German Product Liability Act, we are not liable for any damages if they result from improper repairs to the product or if parts are replaced by items other than genuine parts or parts approved by us. Furthermore, we are not liable for any damages if they result from improper repairs to the product. Arrange for your customer service or an authorized workshop to do the work. The same applies to accessory parts.

### 8.2.5 Operating times

Please observe the regulations concerning lawn mower operating times, which may differ from town to town.

**GB**

### 8.3 Preparing the mower for long-term storage

**Warning:** Do not empty the petrol tank in enclosed areas, near fire or when smoking. Petrol fumes can cause explosions and fire.

1. Empty the petrol tank using a petrol suction pump.
2. Start the engine and run it until the tank and fuel line are completely empty and the engine stalls.
3. Remove the spark plug from the cylinder head. Use an oil can to fill the cylinder with approx. 20 ml of oil. Slowly pull back the starter handle, which will bathe the cylinder wall with oil. Screw the spark plug back in.
4. Clean the cooling fins of the cylinder and the housing.
5. Be sure to clean the entire equipment to protect the paint.
6. Store the equipment in a well-ventilated place or location.

### 8.4 Preparing the mower for transport

1. Empty the petrol tank (refer to point 8.3/1)
2. Always let the engine run until it has used up the remainder of petrol in the tank.
3. Empty the engine oil from the warm engine.
4. Remove the spark plug boot from the spark plug.
5. Clean the cooling fins of the cylinder and the housing.
6. Unhook the starter cable from the hook (Fig. 3c). Slacken the star nuts and fold down the upper push bar. Make sure that the cables do not get kinked when the bar is pulled up.
7. Wedge a few layers of corrugated cardboard between the upper and lower push bars and the engine in order to prevent any chafing.

### 8.5 Consumables, wear materials and spare parts

Spare parts, consumables and wear materials such as engine oil, V-belts, spark plugs, air filter inserts, petrol filters, batteries and blades are not covered by the warranty.

### 8.6 Ordering replacement parts

Please provide the following information on all orders for spare parts:

- Model/type of the equipment
- Article number of the equipment
- ID number of the equipment
- Part number of the required spare part

For our latest prices and information please go to [www.einhell.com.au](http://www.einhell.com.au)

## 9. Disposal and recycling

The equipment is supplied in packaging to prevent it from being damaged in transit. The raw materials in this packaging can be reused or recycled. The equipment and its accessories are made of various types of material, such as metal and plastic. Defective components must be disposed of as special waste. Ask your dealer or your local council.

## 10. Troubleshooting guide

**Warning:** Switch off the engine and pull out the ignition cable before making any checks or adjustments.

**Warning:** If, after making an adjustment or repair to the engine, you let it run for a few minutes, remember that the exhaust and other parts will get hot. Do not touch these parts as they may burn you.

**Important.** If problems arise in connection with the engine, please refer to the enclosed manual from Briggs & Stratton.

| Fault  | Possible cause  | Remedy   |
|--|---|--|
| The equipment does not operate smoothly and vibrates intensively | <ul style="list-style-type: none"> <li>- Bolts loose</li> <li>- Blade attachment is loose</li> <li>- Blade imbalanced</li> </ul>      | <ul style="list-style-type: none"> <li>- Check bolts</li> <li>- Check blade attachment</li> <li>- Replace blade</li> </ul>   |
| The engine does not start  | <ul style="list-style-type: none"> <li>- Brake lever not pushed</li> <li>- Fuel tank empty</li> </ul>                                 | <ul style="list-style-type: none"> <li>- Push brake lever</li> <li>- Top up fuel</li> </ul>                                  |
| Lawn turns yellow, uneven cut                                    | <ul style="list-style-type: none"> <li>- Blade is not sharp</li> <li>- Cutting height too small</li> </ul>                            | <ul style="list-style-type: none"> <li>- Sharpen blade</li> <li>- Adjust to the proper height</li> </ul>                     |
| Grass chute is not clean   | <ul style="list-style-type: none"> <li>- Cutting height too small</li> <li>- Blade is worn</li> <li>- Grass bag is clogged</li> </ul> | <ul style="list-style-type: none"> <li>- Set properly</li> <li>- Replace the blade</li> <li>- Empty the grass bag</li> </ul> |

The guarantee provided in this Guarantee Certificate is given by Einhell Australia Pty Limited  
ACN 134 632 858 of 6/166 Wellington Street, Collingwood, Victoria (Telephone number 1300 922 271)  
(Einhell Express Guarantee).

## **GUARANTEE CERTIFICATE**

Dear Customer,

All of our products undergo strict quality checks. In the unlikely event that your device develops a fault, please contact our service department at the address shown on this guarantee certificate. Of course, if you would prefer to call us then we are also happy to offer our assistance under the service number printed below. Please note the following terms under which claims under the Einhell Express Guarantee can be made:

1. The benefits conferred by the Einhell Express Guarantee are in addition to all rights and remedies which you may be entitled to under the Australian Consumer Law, and any other statutory rights you may have under other applicable laws. This Einhell Express Guarantee does not exclude, restrict or modify any such rights or remedies.

We do not charge you for the Einhell Express Guarantee.

2. Our goods come with guarantees that cannot be excluded under the Australian Consumer Law. You are entitled to a replacement or refund for a major failure and for compensation for any other reasonably foreseeable loss or damage. You are also entitled to have the goods repaired or replaced if the goods fail to be of acceptable quality and the failure does not amount to a major failure.
3. The Einhell Express Guarantee only covers problems caused by material or manufacturing defects, and our liability under the Einhell Express Guarantee is limited, at our discretion, to the rectification of these defects or replacement of the product. Please note that the product has not been designed for use in commercial, trade or industrial applications. Consequently, the Einhell Express Guarantee will not apply if the product is used in commercial, trade or industrial applications or for other equivalent activities.
4. The following are also excluded from the Einhell Express Guarantee: compensation for transport damage, damage caused by failure to comply with the installation/assembly instructions or damage caused by unprofessional installation, failure to comply with the operating instructions (e.g. connection to the wrong mains voltage or current type), misuse or inappropriate use (such as overloading of the product or use of non-approved tools or accessories), failure to comply with the maintenance and safety regulations, ingress of foreign bodies into the product (e.g. sand, stones or dust), effects of force or external influences (e.g. damage caused by the product being dropped) and normal wear resulting from proper operation of the product. The Einhell Express Guarantee will also not apply if any attempt is made to tamper with the product.
5. The Einhell Express Guarantee is valid for a period of 2 years starting from the purchase date of the product. Claims made under the Einhell Express Guarantee should be submitted before the end of this guarantee period and within two weeks of the defect being noticed. No claims under the Einhell Express Guarantee will be accepted if submitted after the end of this guarantee period. The original guarantee period remains applicable to the device even if repairs are carried out or parts are replaced. In such cases, the work performed or parts fitted will not result in an extension of the guarantee period for the Einhell Express Guarantee, and the Einhell Express Guarantee will not apply for the work performed or parts fitted. This also applies when an on-site service is used.
6. To make a claim under the Einhell Express Guarantee, please send the relevant product postage-free to the address shown below and enclose either the original or a copy of your sales receipt or another dated proof of purchase. It would help us if you could describe the nature of the problem in as much detail as possible. If the defect is covered by the Einhell Express Guarantee, your product will be repaired immediately and returned to you, or we will send you a new device (at our election).

Any costs incurred by you in making a claim under this Einhell Express Guarantee, unless specified otherwise in this guarantee certificate, must be borne by you.

Of course, we are also happy to offer a chargeable repair service for any defects which are not covered by the scope of the Einhell Express Guarantee or for products which are no longer covered by the Einhell Express Guarantee. To take advantage of this service, please send the product to our service address.

EINHELL AUSTRALIA PTY LTD  
6/166 Wellington Street  
Collingwood VIC 3066  
Australia  
Phone: 1300 922 271