



SOVEREIGN

POWERED GARDEN ENGINEERING

Operating Instructions Petrol Brush Cutter

**" WARNING! PLEASE READ THESE INSTRUCTIONS
BEFORE OPERATING THIS UNIT"**

"KEEP THIS MANUAL FOR FUTURE REFERENCE"

CE

SBC 30



Read and follow the operating instructions and safety information before using for the first time.



Always wear PPE (Personal Protective Clothing).



Wear eye protection!



Wear ear protection!



- Ⓒ Please read these instructions carefully before installing and operating the petrol brush cutter!

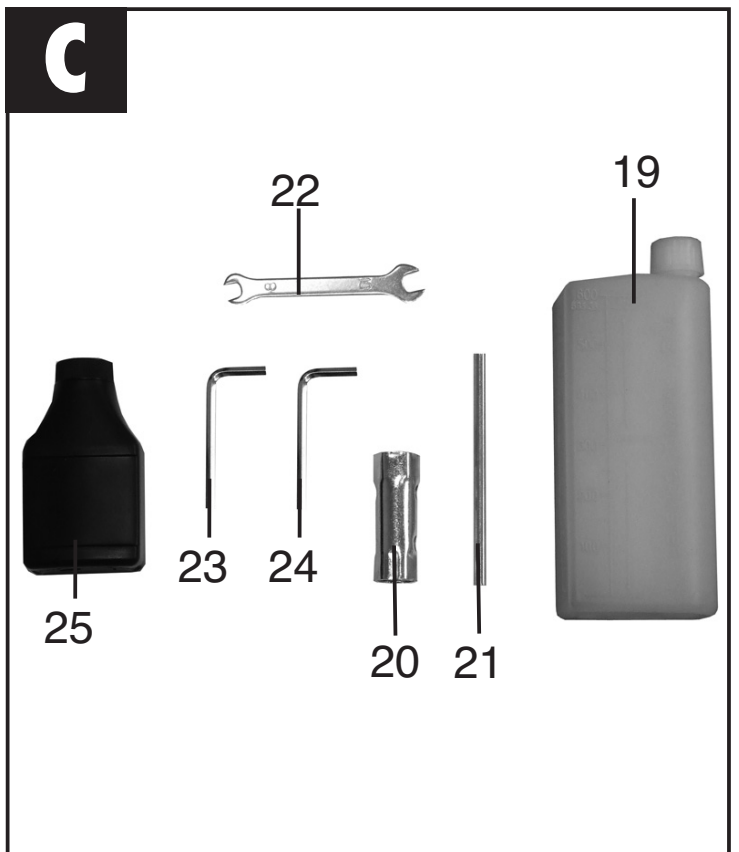
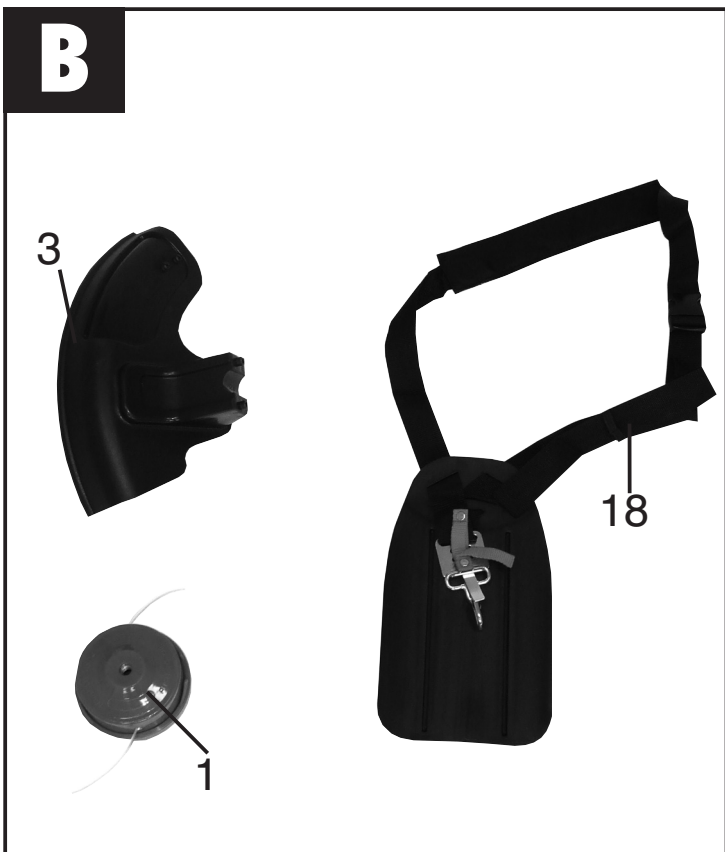
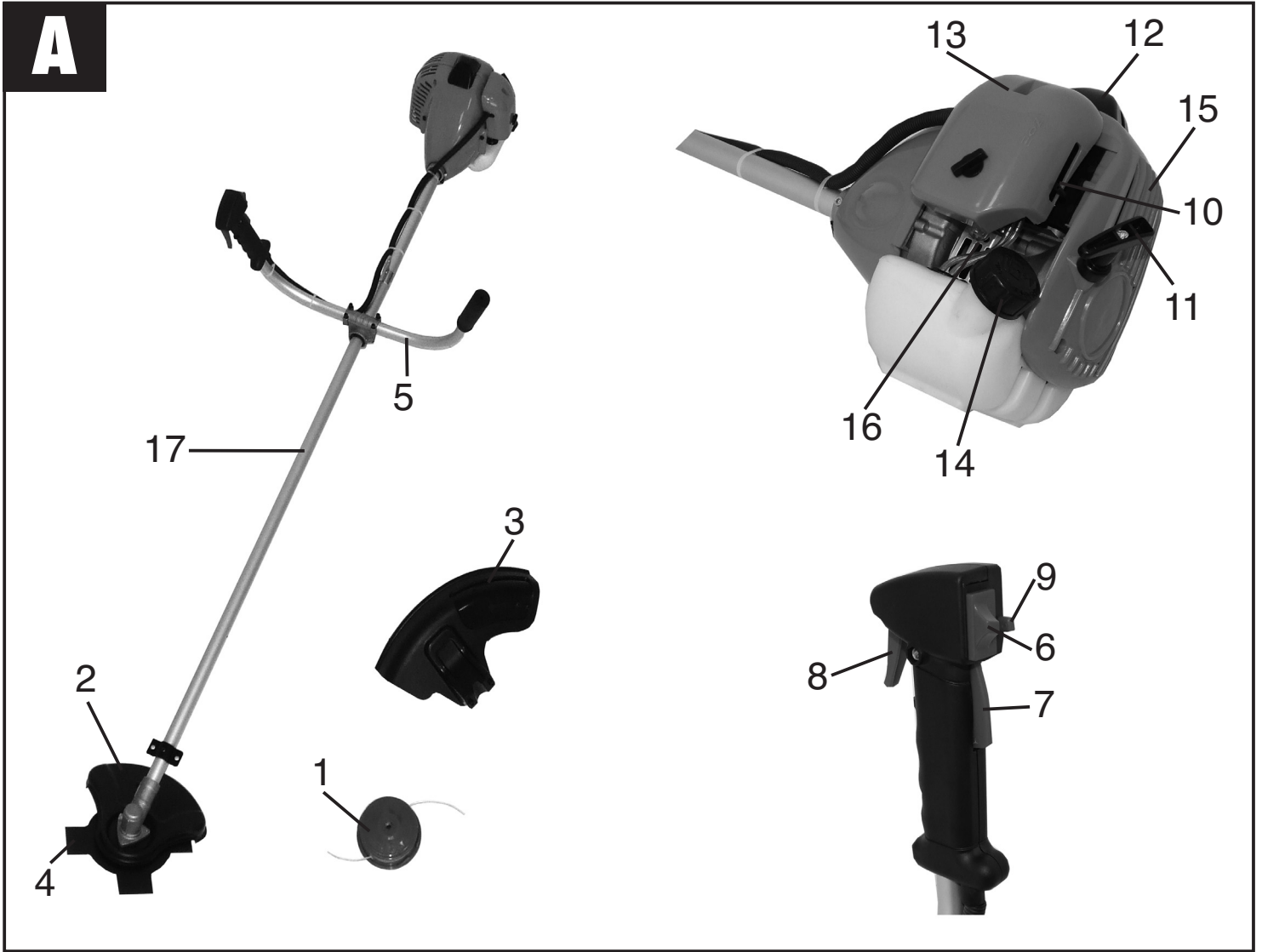
Petrol Engine Quick Start Guide

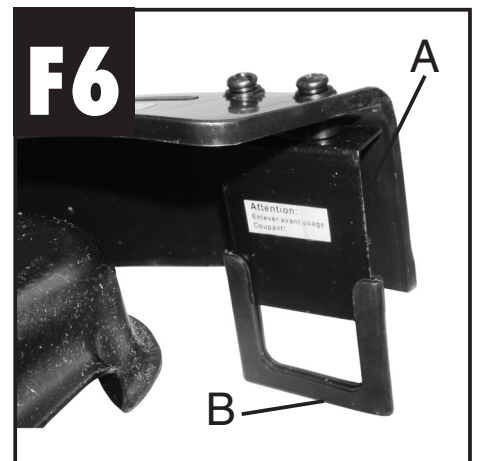
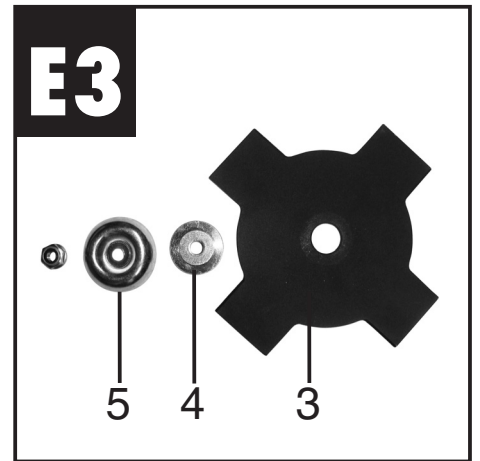
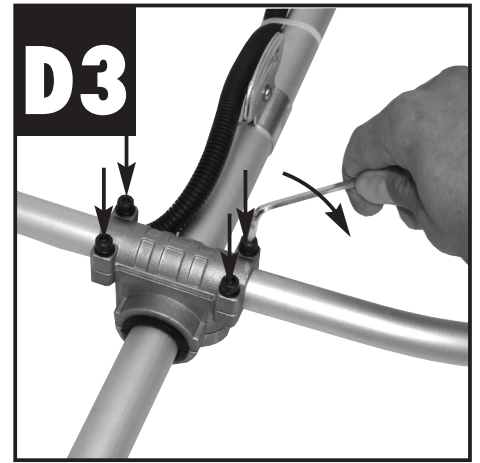
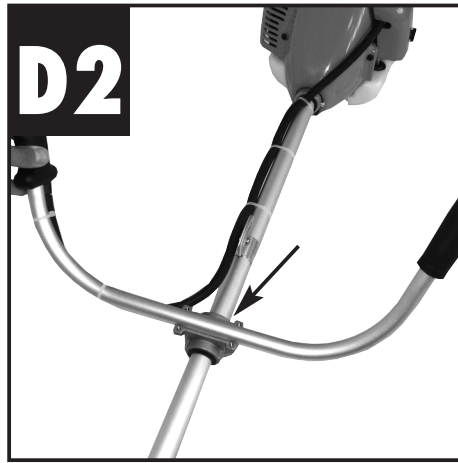
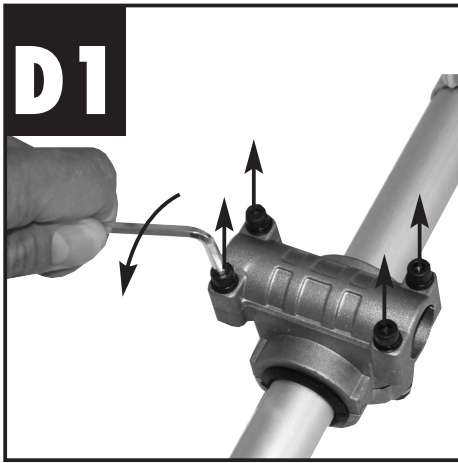
Ensure correct fuel/oil mixture 40:1

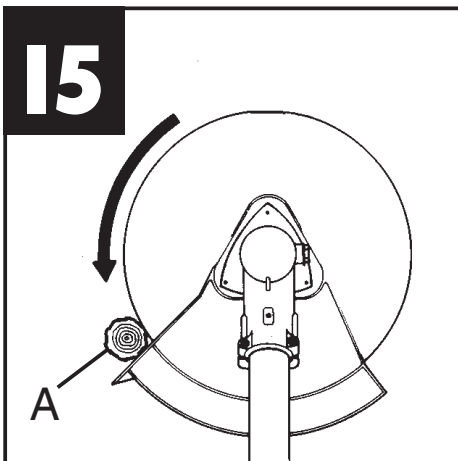
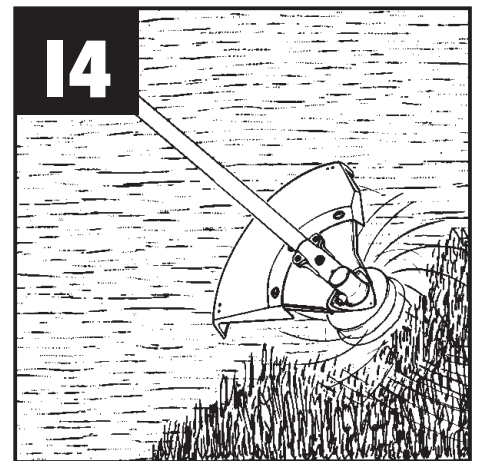
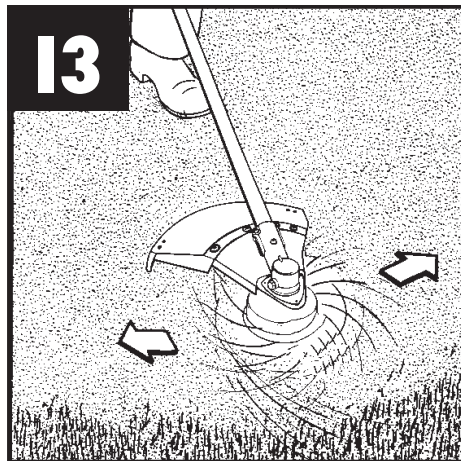
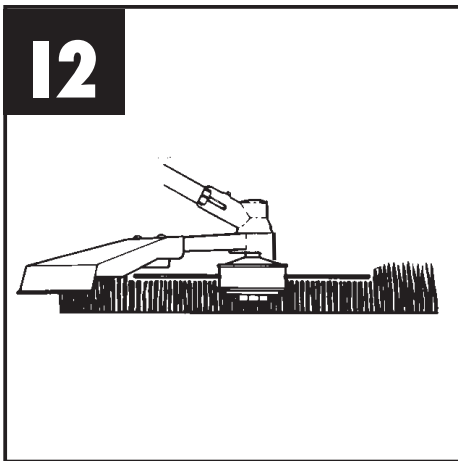
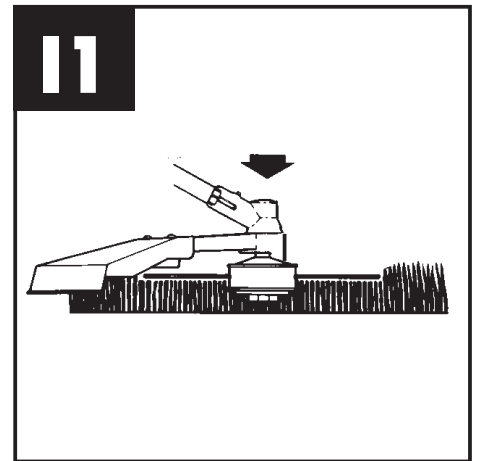
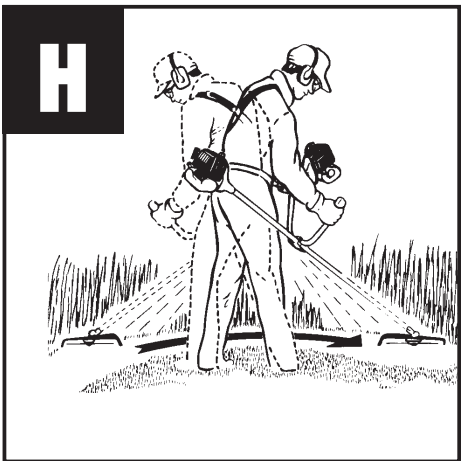
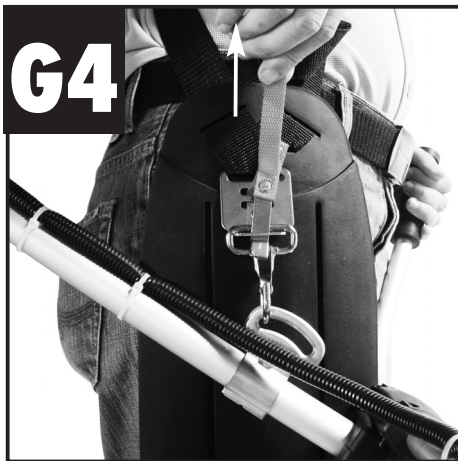
STARTING

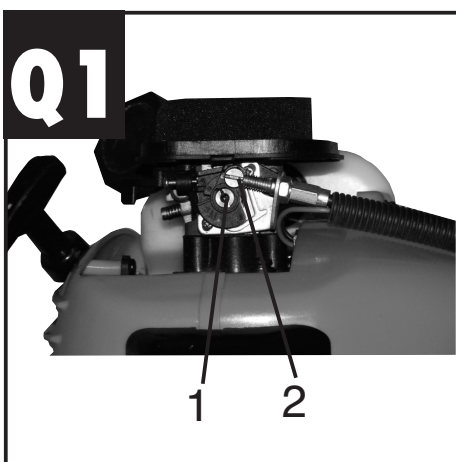
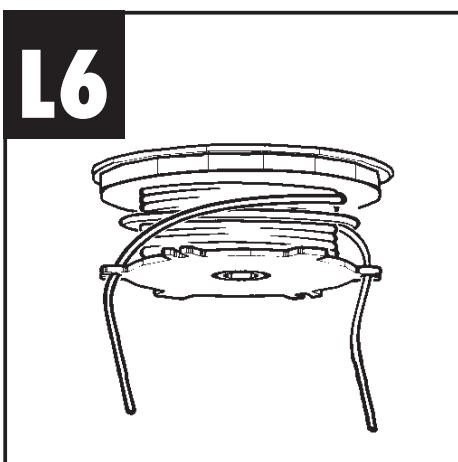
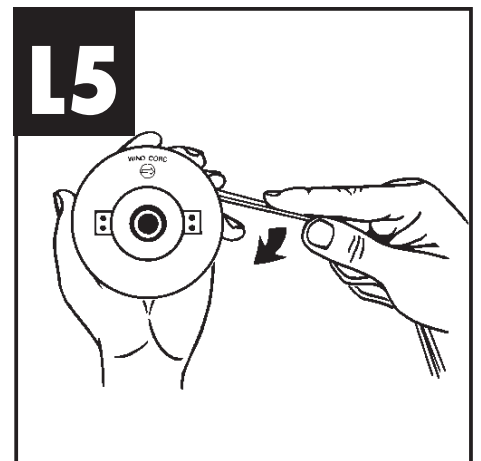
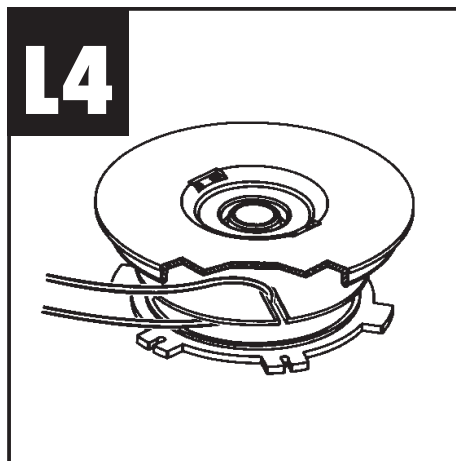
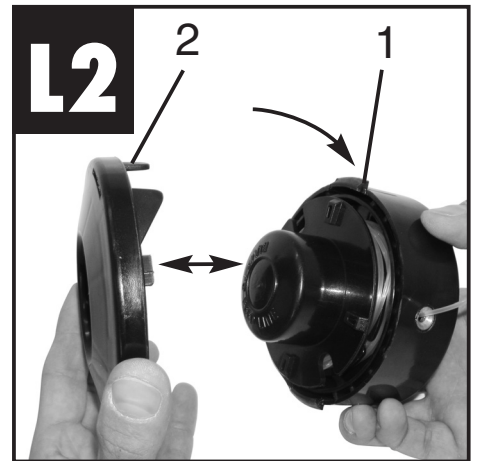
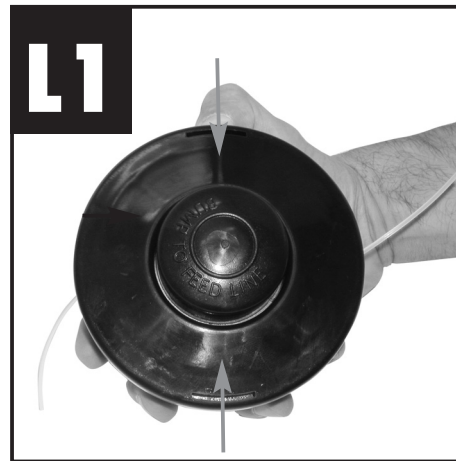
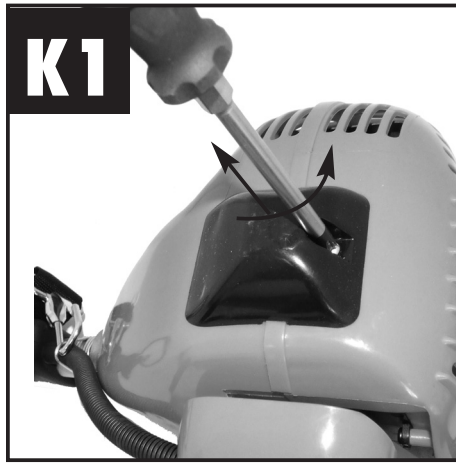
1. Add the correct fuel mixture to unit.
2. Place the machine on a hard, level surface
3. Set the choke lever to “I + I”
Note - the amount of Choke will vary slightly depending on the weather conditions, a small amount of experimentation is advised.
4. Press the fuel primer button ten times minimum
5. Set the ON/OFF switch to “I”
6. Secure the throttle lever
7. Pull the starter cable 4 times quickly
8. If the engine has started, set the choke lever immediately to “I + I” and allow the machine to warm up for approx. 10 seconds.
9. Release the throttle lever
10. If the engine does not start, repeat points 7-8
Note - this quick start guide is intended for experienced users who have already assembled the tool, please refer to the manual for details.

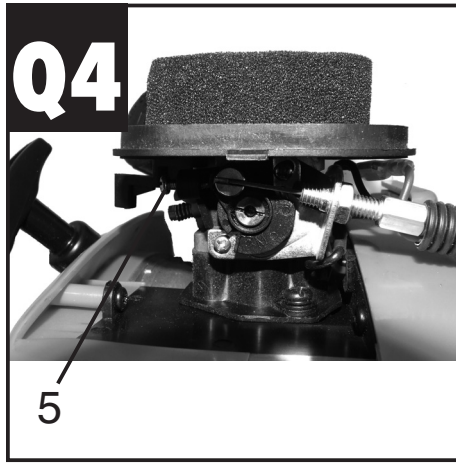
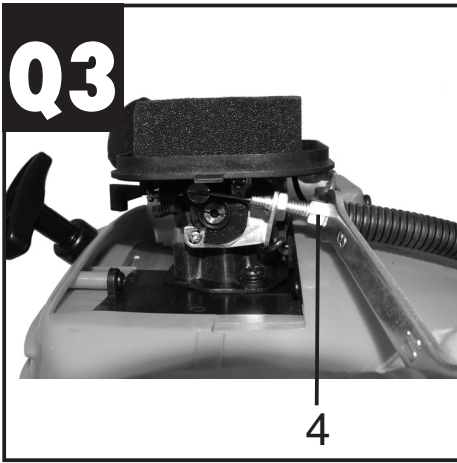
If machine does not start after minimum 6 pulls on starter cord refer to petrol Engine Q & A on page 19.











R1

	1
	2
	3
	4
	5
	6
	7
	8
	9
	10
	11

Table of contents	Page
1. General safety regulations	10
2. Machine layout and items supplied	12
3. Technical data	12
4. Intended use	12
5. Environmental protection	13
6. Assembly	13
7. Before starting the machine	13
8. Operation	14
9. Maintenance	15
10. Storage	16
11. Disposal	17
12. Ordering replacement parts	17
13. Troubleshooting guide	18

When using the equipment, a few safety precautions must be observed to avoid injuries and damage.

- Read the operating instructions carefully and comply with them. It is important to consult these instructions in order to acquaint yourself with the unit, its proper use and safety regulations.
- Keep this manual in a safe place, so that the information is available at all times.
- If you give the equipment to any other person, give them these operating instructions as well.

We cannot accept any liability for damage or accidents which arise due to a failure to follow these instructions.

1. General safety regulations

Explanation of the information signs on the equipment (Fig. R1):

1. Warning!
2. Read the directions for use before operating the equipment.
3. Wear safety goggles, a face guard and ear protection.
4. Wear sturdy, non-slip footwear.
5. Wear safety gloves.
6. Protect the equipment from rain and damp.
7. Be careful of objects being thrown out!
8. Always switch off the equipment and pull out the spark boot plug before carrying out any maintenance work.
9. All bystanders must be kept at least 15 m from the equipment.
10. The tool continues to rotate!
11. Caution: Hot machine parts. Keep your distance.

Note

1. Read the directions with due care. Familiarize yourself with the settings and proper operation of the machine.
2. Never allow children or other persons who are not familiar with the operating instructions to use the petrol brush cutter. Contact your local governmental agency for information regarding minimum age requirements for operating the petrol brush cutter.
3. Never mow in the direct vicinity of persons - especially children - or animals.

Warning:

Maintain a safety distance of 15m. If approached, switch off the appliance immediately.

Always keep in mind that the machine operator or user is responsible for accidents involving other persons and/or their property.

Preliminary measures

1. Always wear sturdy, non-slip footwear and long trousers when mowing. Never mow barefoot or in sandals.
2. Check the grounds on which the machine will be used and remove all objects that could be caught up and violently flung out.
3. Warning: Petrol is highly flammable! Therefore:
 - Only store petrol in containers designed to hold petroleum-based liquids.
 - Only refuel out in the open and do not smoke during the refueling process.
 - Always refuel before starting the engine. Do not open fuel tank cap and do not refuel when the engine is running or when the motor is hot.
 - If fuel has overflowed, do not under any circumstances attempt to start the engine. Instead, remove the machine from the affected area. Avoid starting the engine until the fuel fumes have completely evaporated.
 - For safety reasons, the fuel tank and other tank closures must be replaced if they are damaged.
4. Replace defective silencers.
5. Before using the brush cutter, visually inspect it to ensure that the blade, mounting bolts and the entire cutting apparatus are in good working order (i.e. not worn out or damaged). To prevent any imbalance, replace worn out or damaged blades and mounting bolts as a set only (if applicable).

Handling

1. **Wear close fitting, tough work clothing** that will provide protection, such as long slacks or trousers, safety work shoes, heavy duty work gloves, hard hat, a safety face shield, or safety glasses for eye protection and a good grade of ear plugs or other sound barriers for hearing protection.
2. **Store in a safe place.** Open fuel cap slowly to release any pressure which may have formed in fuel tank. To prevent a fire hazard, move at least 10 feet (3 meters) from fueling area before starting.
3. **Turn unit off** before setting it down.
4. **Always hold unit firmly with both hands**, the thumb and fingers encircling the handles.

5. **Keep all screws and fasteners tight.** Never operate your equipment when it is improperly adjusted or not completely and securely assembled.
6. **Keep handles dry,** clean and free of fuel mixture.
7. **Keep cuttinghead as close to ground as practical.** Avoid hitting small objects with cutting head. When cutting on a slope, stand below cutting head. NEVER cut or trim on a hill or slope, etc. if there is the slightest chance of slipping, sliding or losing firm footing.
8. **Check area you will be trimming for debris** that may be struck or thrown during operation.
9. **Keep all parts of your body and clothing away from cutting head** when starting or running engine. Before starting engine, make sure cutting head will not come in contact with any obstacle.
10. **Stop engine** before examining cutting line.
11. **Store equipment away from possible flammable materials,** such as gas-powered water heaters, clothes dryers, or oil-fired furnaces, portable heaters, etc.
12. **Always keep** the debris shield, cutting head, and engine free of debris build-up.
13. **Operation of equipment** should always be restricted to mature and properly instructed individuals.
14. **If unfamiliar with trimming** techniques, practice the procedures with engine in "OFF" position.
15. **Always clear work area** of debris such as cans, bottles, rocks, etc. Striking objects can cause serious injury to operator or bystanders and also damage equipment. If an object is accidentally hit, immediately **turn engine off** and examine equipment. Never operate unit with damaged or defective equipment.
16. **Always trim or cut at high engine speeds.** Do not run engine slowly at start or during trimming operations.
17. **Do not** use equipment for purposes other than trimming or mowing weeds.
18. **Do not** operate unit with other people or animals in the immediate vicinity. Allow a minimum of 50 feet (15 meters) between operator and other people and animals when trimming or mowing. Allow a distance of 100 feet (30 meters) between operator and other people and animals when **cleaning** with cutting head cutter.
19. **If operating unit on a slope,** stand below the cutting attachment. **Do not operate** on a slope or hilly incline if there is the slightest chance of slipping or losing your footing.

Additional instructions

1. **DO NOT USE ANY OTHER FUEL** than that recommended in your manual. Always follow instructions in the Fuel and Lubrication section of this manual. Never use fuel unless it is properly mixed with custom 2-cycle engine oil. Permanent damage to engine will result, voiding manufacturer's warranty.
2. **DO NOT SMOKE** while refueling or operating equipment.
3. **DO NOT OPERATE UNIT WITHOUT A EXHAUST** and properly installed exhaust shield.
4. **DO NOT TOUCH** or let your hands or body come in contact with the exhaust. Hold unit with thumbs and fingers encircling the handles.
5. **DO NOT OPERATE UNIT IN AWKWARD POSITIONS,** off balance, outstretched arms, or one-handed. Always use two hands when operating unit with thumbs and fingers encircling the handles.
6. **DO NOT RAISE CUTTINGHEAD** above ground level while unit is operating. Injury to operator could result.
7. **DO NOT USE UNIT FOR ANY PURPOSES OTHER** than trimming lawn or garden areas.
8. **DO NOT OPERATE UNIT FOR PROLONGED PERIODS.** Rest periodically.
9. **DO NOT OPERATE UNIT WHILE UNDER THE INFLUENCE OF ALCOHOL OR DRUGS.**
10. **DO NOT OPERATE UNIT UNLESS DEBRIS SHIELD AND/OR GUARD IS INSTALLED AND IN GOOD CONDITION.**
11. **DO NOT ADD, REMOVE OR ALTER ANY COMPONENTS OF THIS PRODUCT.** Doing so could cause personal injury and/or damage the unit voiding the manufacturer's warranty.
12. **DO NOT** operate your unit near or around flammable liquids or gases whether in or out of doors. An explosion and/or fire may result.
13. **DO NOT USE ANY OTHER CUTTING TOOLS.** For your own safety only use the accessories and additional equipment specified in the operating manual or recommended or specified by the manufacturer. The use of tools or accessories other than those recommended in the operating manual or catalog may place you in danger of personal injury.

Safety when handling the blade

1. FOLLOW ALL WARNINGS and instructions for using the machine and for installing the blade.
2. **The blade may suddenly jump away out of**

control if it comes up against objects which it cannot cut through. This may result in Serious injury. Keep onlookers and animals at least 15 m away from where you are working. If the machine strikes a foreign body, stop the engine immediately and bring the blade to a standstill. Check the blade for signs of damage.

Always replace the blade if it is bent or damaged.

3. **THE BLADE WILL THROW UP OBJECTS AT HIGH SPEED:** This may cause injuries to eyes, face and legs. Always wear eye, face and leg protection. Remove all objects from the working area before using the blade. Keep other people and animals at least 15 m away from the machine in all directions.
4. **Check your machine and other equipment carefully for signs of damage.** Do not use the machine unless all the blade mountings have been installed correctly.
5. **THE BLADE WILL SLOW DOWN AND STOP IF YOU RELEASE THE THROTTLE VALVE.** While it is slowing down, the blade can still cause injury to you or onlookers. Before you carry out any work on the blade, switch off the engine and make sure that the blade has stopped.
6. **DANGER ZONE WITH A DIAMETER OF 15 METERS.** Onlookers may suffer injuries. Keep onlookers and animals at least 15 m away from where you are working.

2. Machine layout and items supplied (Fig. A – C)

A/1, B/1	Cutting head
A/2	Guard hood for blade
A/3, B/3	Guard hood for cutting line
A/4	Blade
A/5	Handle
A/6	Engine switch "ON/OFF"
A/7	Throttle lever "release"
A/8	Throttle lever
A/9	Throttle lever "lock"
A/10	Choke lever
A/11	Starter cable
A/12	Spark plug cover
A/13	Air filter housing cover
A/14	Petrol tank
A/15	Housing for engine cooler
A/16	Fuel pump "primer"
A/17	Long handle with drive shaft
B/18	Carrying strap
C/19	Oil/petrol mixing bottle
C/20	Spark plug wrench
C/21	Bolt for spark wrench
C/22	Open-ended spanner (8 mm / 10 mm)

C/23	Allen key (size 4)
C/24	Allen key (size 5)
C/25	2-stroke oil

Safety devices

When working with the blade the metal guard hood must be installed and when working with the cutting spool the plastic guard hood must also be installed to prevent objects being thrown out by the machine. The integrated blade in the plastic guard hood automatically cuts the line to the optimum length.

3. Technical data

Engine type:

2-stroke engine, air-cooled, chrome cylinder

Engine output (max:)	0.8 kW / 1.1 bhp
Displacement:	30 cc
Idle speed of engine	2800 +/- 200 rpm
Max. engine speed:	9000 rpm
Max. twin line speed:	6750 rpm
Ignition:	Electronic
Drive:	Centrifugal clutch
Weight (with empty tank):	8.1kg
Long handle length:	149.5 cm
Cutting diameter:	41 cm
Cutting blade diameter:	23 cm
Cutting line length:	8 m
Cutting line diameter:	2.0 mm
Tank capacity:	0,8 l
Spark plug	CHAMPION RCJ6Y
Vibration a_{hw}	7,26 m/s ²
Sound pressure level, L_{pA}	100 dB
Sound power level, L_{WA}	108 dB

Sound and vibration were measured in accordance with DIN EN 11806.

4. Intended use

The machine is designed for cutting lawns and grassed areas. The operating instructions as supplied by the manufacturer must be kept and referred to in order to ensure that the machine is properly used and maintained. Any use which is not expressly permitted in the manual may result in damage to the machine and place the user in serious danger. Be sure to observe the restrictions in the safety instructions. Please note that our equipment has not been designed for use in commercial, trade or industrial applications. Our warranty will be voided if the equipment is used in commercial, trade or industrial businesses or for equivalent purposes.

Important. Due to the high risk of bodily injury to the user, the petrol brush cutter must not be used to carry out the following work: to clear dirt and debris off walkways, or to chop up tree or hedge clippings. Moreover, the petrol brush cutter may not be used to level out high areas such as molehills. For safety reasons, the petrol brush cutter may not be used as a drive unit for other work tools or toolkits of any kind.

5. Environmental protection

- Dispose of soiled maintenance material and operating materials at the appropriate collection point.
- Recycle packaging material, metal and plastics.

6. Assembly

6.1 Installing the long handle

Install the long handle as shown in Figures D1 – D3. Do not tighten the screws until you have set the perfect working position with the carrying strap. The long handle should be aligned as shown in Figure A.

6.2 Fitting / Replacing the blade (Fig. E1 – E3)

When the machine is supplied the blade is ready-fitted. Therefore we will first explain how to remove it.

- Line up the hole in the carrier plate (Fig. E1/ Item 3) with the notch beneath it and lock the carrier plate with the size 4 Allen key (Fig. E1)
- Remove the securing nut for the blade using the supplied spark plug wrench (Fig. E2). **Important:** Left-hand thread!
- Remove the pressure plate cover (Fig. E3/Item 5) and the pressure plate (Fig. E3/Item 4)
- The blade (Fig. E3/Item 3) can now be removed.
- To assemble, proceed in reverse order. Please note that the side of the pressure plate (Fig. E3/Item 4) with the recess must point towards the blade.

6.3 Installing the cutting line guard hood

Important: The cutting line guard hood must be fitted if you wish to work with the cutting line.

The guard hood for the cutting line must be installed as shown in Figures F1 – F3.

A blade (Fig. F6/ Item A) on the underside of the guard hood automatically cuts the cutting line to the optimum length. This is covered by a guard (Fig. F6/Item B).

Remove the guard before you start working and replace it when you have finished working.

6.4 Fitting / Replacing the line spool

Line up the hole in the carrier plate with the notch beneath it and lock the carrier plate with the size 6 Allen key (Fig. F4)

Secure the line spool on to the locating pin (Fig. F5).

Important: Left-hand thread!

To dismantle, proceed in reverse order.

7. Before starting the machine

Check that all moving parts move smoothly before you start using the machine. Check that all screw connections are securely fastened and also check all the safety devices.

7.1 Setting the cutting height (Fig. G1)

- Fit the carrying strap.
- Hook the machine to the carrying belt (Fig. G2).
- Adjust the perfect working and cutting position using the various strap adjuster on the carrying strap (Fig. G3).
- In order to establish the optimum length of the carrying strap, you should then make a few swinging movements without starting the engine (Fig. H).

The carrying strap is fitted with a quick-release mechanism. Pull the red strap section (Fig. G4) if you need to remove the strap quickly.

Important: Always use the strap when working with the machine. Attach the strap as soon as you have started the engine and it is running in idle mode. Switch off the engine before you take off the carrying strap.

Check the machine for the following each time before use:

- That there are no leaks in the fuel system
- That the cutting unit and all safety devices are in perfect condition
- That all screws are securely fastened

7.2 Fuel and oil

Recommended fuels

Use only a mixture of normal unleaded petrol and special 2-stroke engine oil. Mix the fuel mixture as indicated on the fuel mixing table.

- Start the machine at least 3 m away from the refueling site to avoid the possible risk of fire.
- Do not smoke whilst refueling or working with the machine.
- Do not use the hedge trimmer near inflammable liquids or gases. This could result in an explosion and/or fire.

Important: Do not use a fuel mixture which has been kept for longer than 90 days.

Important: Do not use 2-stroke oil with a recommended mixing ratio of 100:1. If inadequate lubrication causes engine damage, the manufacturer's engine warranty will be voided.

Important: Only use containers designed and approved for the purpose to transport and store fuel.

Pour the correct quantities of petrol and 2-stroke oil into the mixing bottle (see scale printed on the bottle). Then shake the bottle gently and ensure thorough mix..

7.3 Fuel mixture table

Mixing procedure: 40 parts petrol to 1 part oil

Petrol (unleaded)	2-stroke oil
1 liter	25 ml
5 liters	125 ml

8. Operation

Please note that the statutory regulations governing noise abatement may differ from town to town.

7.1 Starting the engine when cold

Fill the tank with the required amount of oil/petrol mix. See "Fuel and oil".

1. Set the machine down on a hard, level surface.
2. Set the choke lever (Fig. A/Item 10) to "☛".
3. Press the fuel pump (primer) (Fig. A/Item 16) 10 times.
4. Switch the ON/OFF switch (Fig. A/Item 6) to "I".
5. Secure the throttle lever. To do so, actuate the throttle lock (Fig. A/Item 7) and then actuate the throttle lever (Fig. A/Item 8) while pressing the locking button (Fig. A/Item 9) at the same time to secure the throttle lever.
6. Hold the machine firmly and pull out the starter cable (Fig. A/Item 11) until you feel it start to resist. Then tug sharply on the starter cable 4 times. The machine should start.

Please note: Never allow the starter cable to snap back. This may damage the machine.

7. Once the engine has started, move the choke lever immediately to "♦" and allow the machine to warm up for approx. 10 seconds.

Please note: Since the throttle lever is secured, the cutting tool starts to operate when the engine is started. Then release the throttle lever by simply actuating it (the engine then returns to running in

idle mode).

8. If the engine does not start up, repeat steps 6-7 above.

Please note: If the engine does not start up even after several attempts, read the section "Troubleshooting".

Please note: Always pull the starter cable out in a straight line. If it is pulled out at an angle, then friction will occur on the eyelet. As a result of this friction, the cable will become frayed and will wear away faster. Always hold the starter handle when the cable retracts.

Never allow the cable to snap back when it has been pulled out. This may also cause damage to the cable or the starter.

8.2 Starting the engine when warm (if the machine has not been switched off for more than 15 – 20 minutes)

1. Set the machine down on a hard, level surface.
2. Switch the ON/OFF switch to "I".
3. Secure the throttle lever (in the same way as described in "Starting the engine when cold").
4. Hold the machine firmly and pull out the starter cable until you feel it start to resist. Then tug sharply on the starter cable. The machine should start after 1-2 tugs. If the machine does not start after 6 pulls, repeat steps 1 – 7 of the procedure for starting the engine from cold.

8.3 Switching off the engine

Emergency Stop procedure:

If it becomes necessary to stop the machine immediately, set the ON/OFF switch to "Stop" or "0"

Normal procedure:

Let go of the throttle lever and wait until the engine has changed to idling speed. Then set the ON/OFF switch to "Stop" or "0".

8.4 Practical tips

Practice all operating techniques with the engine switched off before you start to use the machine.

EXTENDING THE CUTTING LINE

⚠ WARNING: Do not use any kind of metal wire or metal wire encased in plastic in the cutting head. This may cause serious injuries to the user.

To extend the cutting line run the motor at full speed and tap ("BUMP") the cutting head on the ground. This will automatically extend the line. The blade on the safety shield will cut the line to the appropriate length (Fig. I1).

⚠ Caution: Remove all grass and weed remains at regular intervals to prevent the shaft tube overheating. Grass and weed remains become trapped under the safety shield (Fig. I2) and they prevent the shaft tube receiving adequate ventilation. Remove the remains carefully using a screwdriver or the like.

DIFFERENT CUTTING METHODS

If the machine is correctly assembled with the safety hood and cutting head it will cut weeds and long grass in places with difficult access, for example along fences, walls and foundations and also around trees. It can also be used for mowing work to remove vegetation to allow the better preparation of a garden or to clear a certain area down to the soil.

⚠ PLEASE NOTE: Even if it is used carefully, cutting around foundations, stone or concrete walls, etc. will result in the line suffering more than normal wear.

TRIMMING / MOWING

Swing the petrol brush cutter from side to side in a scything motion. Always keep the cutting head parallel to the ground. Check the site and decide what cutting height you require. Guide and hold the cutting head at the required height to ensure that you cut evenly (Fig. I3).

LOWER TRIMMING

Hold the petrol brush cutter right in front of you at a slight angle so that the underside of the cutter head is above the ground and the line strikes the correct target. Always cut away from yourself. Never draw the petrol brush cutter towards yourself.

CUTTING ALONG FENCES / FOUNDATIONS

When cutting approach wire mesh fences, lath fences, natural stone walls and foundations slowly so that you can cut close to them without striking the obstacle with the line. If, for example, the line strikes stones, stone walls or foundations, it will wear or fray. If the line strikes wire fencing it will break.

TRIMMING AROUND TREES

When trimming around tree trunks, approach slowly so that the line does not strike the bark. Walk around the tree, cutting from left to right. Approach grass or weeds with the tip of the line and tilt the cutting head forwards slightly.

⚠ WARNING: Take extreme care during mowing work. When doing such work keep a distance of 30 meters between yourself and other people or animals.

MOWING

For mowing you want to cut all the vegetation down to the ground. To do this, set the cutting head at an angle of 30° to the right. Place the handle in the required position. Remember the increased risk of injury to the user, watchers and animals and the danger of damaging other items due to objects (for example stones) being thrown out (Fig. I4).

WARNING: Do not remove any objects from footpaths, etc. using the petrol brush cutter. The petrol brush cutter is a powerful tool and can throw small stones and other objects a distance of 15 meters or more, causing injuries and damage to cars, houses and windows.

SAWING

The equipment is not suitable for sawing.

JAMMING

If the blade jams as a result of attempting to cut vegetation that is too dense, switch off the motor immediately.

Remove the grass and scrub from the equipment before you restart it.

PREVENTING RECOIL

When you work with the blade there is a risk of recoil if it strikes solid objects such as tree trunks, branches, tree stumps, stones or the like. This will throw the equipment backwards in the direction opposite to the rotation of the tool.

This can cause you to lose control of the equipment. Do not use the metal blade near fences, metal posts, boundary stones or foundations.

For cutting dense stalks, position it as shown in Fig. I5/Item A to prevent recoil.

9. Maintenance

Always switch off the machine and pull out the spark boot plug before carrying out any maintenance work.

9.1 Replacing the line spool / cutting line

1. Press the line spool housing together (Fig. L1) below the two lugs (Fig. L2/Item 1) and remove the line spool cover (Fig. L2/Item 2).
2. Take the line spool out of the line spool housing (Fig. L3). Make sure that you do not lose the spring or the washers.
3. Remove any remaining cutting line.
4. Place the new cutting line in the center and attach the resulting loop to the recess in the spool splitter (Fig. L4)
5. Wind the line on to the spool counter-clockwise

with tension. The spool splitter will separate the two halves of the nylon line (Fig. L5)

6. Hook the last 15 cm of the two ends of the line to the line holders opposite the line spool (Fig. L6)
7. Thread the two ends of the line through the metal eyelets in the line spool housing (Fig. L3).
8. Press the line spool into the line spool housing. Ensure that the spring and washers are in the correct position (Fig. L3)
9. Press the line spool cover on to the line spool housing. Ensure that the two lugs (Fig. L2/Item 1) in the line spool housing lock into the appropriate recesses (Fig. L2/Item 2) in the line spool cover.
10. Pull the two line ends briefly and powerfully to release them from the line holders in the line spool.
11. Cut the excess line to a length of around 13 cm. This will reduce the load on the engine when starting up and warming up.
12. Fit the line spool again. See point 6.4.

If you are replacing the complete line spool, ignore points 3 – 6.

9.2 Maintenance of the air filter (Fig. J1-J3)

Soiled air filters reduce the engine output by supply too little air to the carburetor.

Regular checks are therefore essential. The air filter should be checked after every 25 hours of use and cleaned if necessary. If the air contains a lot of dust, the air filter should be checked more frequently.

1. Remove the air filter cover (Fig. J1-J2)
2. Remove the filter element (Fig. J3)
3. Clean the filter element by tapping it or blowing it.
4. Assemble in reverse order.

Please note: Never clean the air filter with petrol or inflammable solvents. Clean the air filter with compressed air or by tapping it.

9.3 Maintenance of the spark plug (Fig. K1-K2)

Spark plug gap = 0.025 inch (0.635 mm). Tighten the spark plug with a torque of 12-15 Nm.

Check the spark plug for dirt and grime after 10 hours of operation and if necessary clean it with a copper wire brush. Thereafter service the spark plug after every 50 hours of operation.

1. Remove the spark plug cover (Fig. K1)
2. Pull off the spark plug boot (Fig. K2) by twisting.
3. Remove the spark plug (Fig. K2) with the supplied spark plug wrench.
4. Assemble in reverse order.

9.4 Grinding the safety hood blade

The safety hood blade (Fig. F6/Item A) can become blunt over time. When you notice this, undo the two screws holding the safety hood blade to the safety hood. Clamp the blade in a vice. Sharpen the blade with a flat file and make sure that the angle of the cutting edge is not altered in the process. File in one direction only.

9.5 Carburetor settings

Important. Settings on the carburetor may only be made by authorized customer service personnel. The air filter cover must be removed before any work on the carburetor, as shown in Figures J1-J2.

Setting the throttle cable:

If the maximum speed of the machine falls over time and you have ruled out all the other causes listed in section 13 Troubleshooting, it may be necessary to adjust the throttle cable.

First of all check whether the carburetor opens fully when the throttle handle is pressed fully. This is the case if the carburetor slide (Fig. Q1/Item 1) rests against the stop (Fig. Q1/Item 2) when the throttle is fully open. Figure Q1 shows the correct setting. If the carburetor slide does not touch the stop, it must be adjusted.

The following work is required to adjust the throttle cable:

- Undo the lock nut (Fig. Q2/Item 3) a few turns.
- Undo the adjusting screw (Fig. Q3/Item 4) until the carburetor slide rests against the stop when the throttle is fully open, as shown in Figure Q1.
- Retighten the lock nut.

Setting the idling speed:

Important. Set the idling speed when the machine is warm.

If the engine stalls when the throttle is not pressed and you have ruled out all the other causes listed in section 13 Troubleshooting, the idling speed must be adjusted. To do this turn the idling speed screw (Fig. Q4/Item 5) clockwise until the machine runs smoothly at idling speed.

If the idling speed is so fast that the cutting tool turns as well, it has to be reduced by turning the idling speed screw counter-clockwise (Fig. O4/Item 5) for as long as is required for the cutting tool to stop turning as well.

10. Storage

Please note: If you fail to follow these instructions correctly, deposits may form on the interior of the carburetor which may result in the engine being more difficult to start or the machine suffering permanent

damage.

1. Carry out all the maintenance work.
2. Drain the fuel out of the tank (use a conventional plastic petrol pump from a DIY store for this purpose).
3. When the fuel has been drained, start the engine.
4. Allow the engine to run at idling speed until it stops. This will clean the remainder of the fuel out of the carburetor.
5. Leave the machine to cool (approx. 5 minutes).
6. Remove the spark plug (see point 9.3).
7. Place a teaspoon full of 2-stroke engine oil into the combustion chamber. Pull the starter cable several times carefully to wet the internal components with the oil. Fit the spark plug again.
8. Clean the exterior housing of the machine.
9. Store the machine in a cold, dry place where it is out of the reach of ignition sources and inflammable substances.

Fertilizers and other chemical garden products often contain substances that accelerate the rate of corrosion of metals. Do not store the machine on or near fertilizers or other chemicals.

Restarting

1. Remove the spark plug.
2. Pull the starter cable several times to clean the oil residue out of the combustion chamber.
3. Clean the spark plug contacts or fit a new spark plug.
4. Fill the tank. See the section entitled Fuel and oil.
5. Complete steps 1-7 described under the point entitled "Starting the engine from cold".

Transport

To transport the machine, first empty the petrol tank as described in section 10 in the section entitled "Storage". Clean coarse dirt off the machine with a brush or hand brush. Dismantle the long handle as described 5.1.

11. Disposal

Important.

The machine is made of several different materials such as metal, liquids and plastics. Take any defective components and fluids that are no longer in use to special waste disposal points. Ask your dealer or your local council.

12. Ordering replacement parts

Please quote the following data when ordering replacement parts:

- Type of machine
- Article number of the machine
- Identification number of the machine
- Replacement part number of the part required

Helpline Numbers:

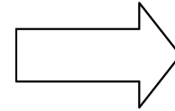
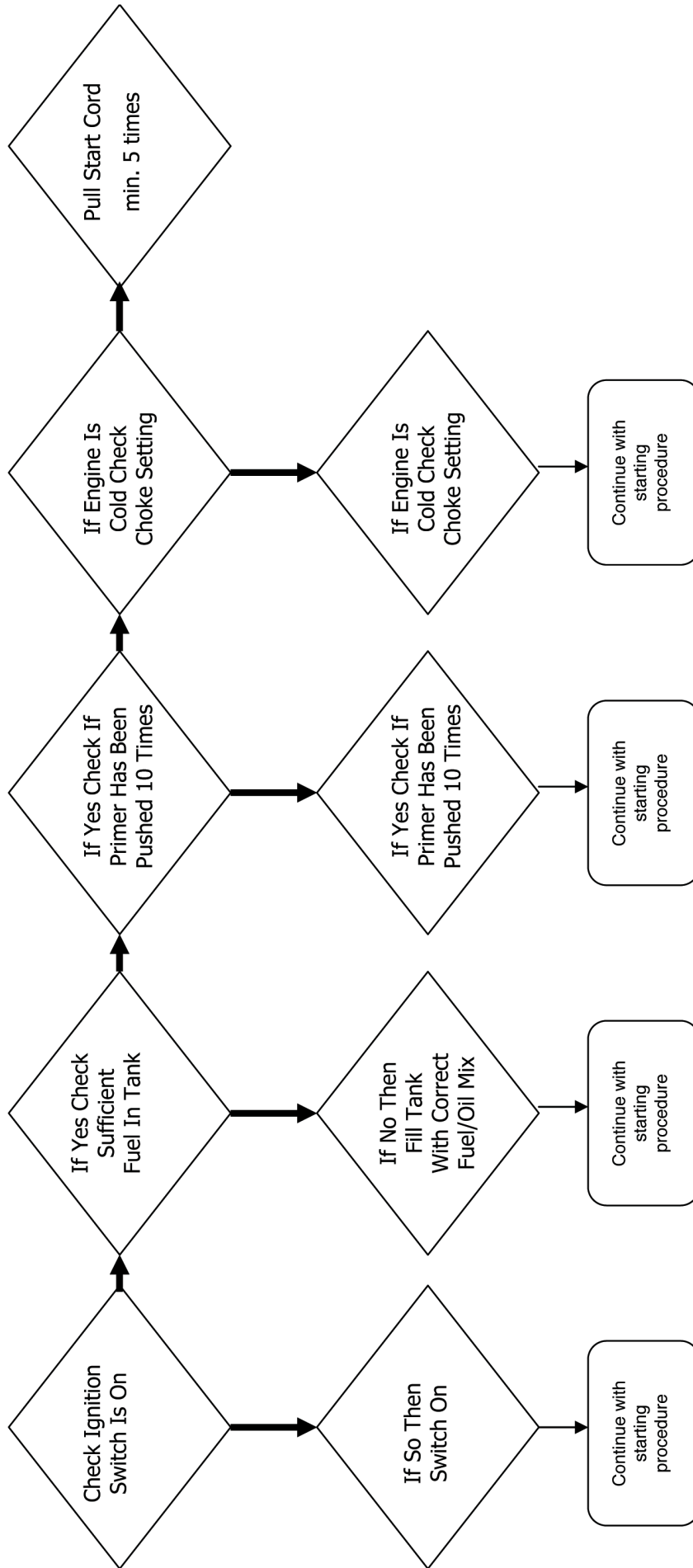
UK: 0151 649 1500

IRE: 189 094 6244

13. Troubleshooting

Fault	Possible cause	Troubleshooting
The machine does not start.	Correct starting procedure not followed.	Follow the instructions for starting or see page 19.
	Sooted or damp spark plug	Clean the spark plug or replace it with a new one.
	Incorrect carburetor setting	Contact an authorized customer service outlet.
The machine starts but does not develop its full output.	Incorrect choke lever setting	Set choke lever to
	Soiled air filter	Clean the air filter
	Incorrect carburetor setting	Contact an authorized customer service outlet.
The engine does not run smoothly	Incorrect electrode gap on the spark plug	Clean the spark plug and adjust the electrode gap or fit a new spark plug.
	Incorrect carburetor setting	Contact an authorized customer service outlet
Engine smokes excessively	Incorrect fuel mix	Use the correct fuel mix (see fuel mixing table)
	Incorrect carburetor setting	Contact an authorized customer service outlet.

Petrol Engine Starting Procedure / Check List



If after trying all of the above procedures please call the help line for further assistance



Konformitätserklärung

ISC-GmbH · Eschenstraße 6 · D-94405 Landau/Isar

D erklärt folgende Konformität gemäß EU-Richtlinie und Normen für Artikel
GB declares conformity with the EU Directive and standards marked below for the article
F déclare la conformité suivante selon la directive CE et les normes concernant l'article
NL verklaart de volgende conformiteit in overeenstemming met de EU-richtlijn en normen voor het artikel
E declara la siguiente conformidad a tenor de la directiva y normas de la UE para el artículo
P declara a seguinte conformidade de acordo com a directiva CE e normas para o artigo
S förklarar följande överensstämmelse enl. EU-direktiv och standarder för artikeln
FIN ilmoittaa seuraavaa Euroopan unionin direktiivien ja normien mukaista yhdenmukaisuutta tuotteelle
N erklærer herved følgende samsvar med EU-direktiv og standarder for artikkel
RUS заявляет о соответствии товара следующим директивам и нормам ЕС
HR izjavljuje sljedeću uskladenost s odredbama i normama EU za artikl.
RO declară următoarea conformitate cu linia directoare CE și normele valabile pentru articolul.
TR ürün ile ilgili olarak AB Yönetmelikleri ve Normları gereğince aşağıdaki uygunluk açıklama sunar.
GR δηλώνει την ακόλουθη συμφωνία σύμφωνα με την Οδηγία ΕΕ και τα πρότυπα για το προϊόν


I dichiara la seguente conformità secondo la direttiva UE e le norme per l'articolo
DK attesterer følgende overensstemmelse i henhold til EU-direktiv og standarder for produkt
CZ prohlašuje následující shodu podle směrnice EU a norem pro výrobek.
H a következő konformitást jelenti ki a termékek-re vonatkozó EU-irányvonalak és normák szerint
SK pojednává sledečo skladnost po smernici EU in normah za artikel.
PL deklaruje zgodność wymienionego poniżej artykułu z następującymi normami na podstawie dyrektywy WE.
SK vydáva nasledujúce prehlásenie o zhode podľa smernice EU a noriem pre výrobok.
BG декларира следното съответствие съгласно директивите и нормите на ЕС за продукта.
UKR заявляє про відповідність згідно з Директивою ЄС та стандартами, чинними для даного товару
EE deklareerib vastavuse järgnevale EL direktiivi dele ja normidele
LT deklaruoja atitiktį pagal ES direktyvas ir normas
RS strajpsniui izjavljuje sledeći konformitet u skladu s odredbom EZ i normama za artikl
LV Atbilstības sertifikāts apliecina zemāk minēto preču atbilstību ES direktīvam un standartiem
IS Samræmisýfirlýsing staðfestir eftirfarandi samræmi samkvæmt reglum Evrópubandalagsins og stöðlum fyrir vörur

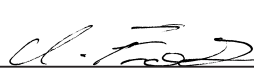
Petrol Brush Cutter SBC 30

<input checked="" type="checkbox"/>	98/37/EC	<input type="checkbox"/>	87/404/EEC
<input type="checkbox"/>	2006/95/EC	<input type="checkbox"/>	R&TTED 1999/5/EC
<input type="checkbox"/>	97/23/EC	<input checked="" type="checkbox"/>	2000/14/EG_2005/88/EC: $L_{WM} = 105 \text{ dB}; L_{WA} = 108 \text{ dB}$ $P = 0,8 \text{ kW}; L/\emptyset = 41 \text{ cm}$
<input checked="" type="checkbox"/>	2004/108/EC	<input type="checkbox"/>	95/54/EC:
<input type="checkbox"/>	90/396/EEC	<input checked="" type="checkbox"/>	97/68/EC: e11*97/68SA*2004/26*0824*00
<input type="checkbox"/>	89/686/EEC		

EN ISO 11806; EN ISO 14982; KBV V

Landau/Isar, den 05.11.2007


 Weichselgartner
 General-Manager


 Frank
 Product-Management

Art.-Nr.: 34.017.62 I.-Nr.: 01017
 Subject to change without notice

Archivierung: 3401761-34-4155050-07

GUARANTEE CERTIFICATE

Dear Customer,

All of our products undergo strict quality checks to ensure that they reach you in perfect condition. In the unlikely event that your device develops a fault, please contact our service department at the address shown on this guarantee card. Of course, if you would prefer to call us then we are also happy to offer our assistance under the service number printed below. Please note the following terms under which guarantee claims can be made:

1. These guarantee terms cover additional guarantee rights and do not affect your statutory warranty rights. We do not charge you for this guarantee.
2. Our guarantee only covers problems caused by material or manufacturing defects, and it is restricted to the rectification of these defects or replacement of the device. Please note that our devices have not been designed for use in commercial, trade or industrial applications. Consequently, the guarantee is invalidated if the equipment is used in commercial, trade or industrial applications or for other equivalent activities. The following are also excluded from our guarantee: compensation for transport damage, damage caused by failure to comply with the installation/assembly instructions or damage caused by unprofessional installation, failure to comply with the operating instructions (e.g. connection to the wrong mains voltage or current type), misuse or inappropriate use (such as overloading of the device or use of non-approved tools or accessories), failure to comply with the maintenance and safety regulations, ingress of foreign bodies into the device (e.g. sand, stones or dust), effects of force or external influences (e.g. damage caused by the device being dropped) and normal wear resulting from proper operation of the device.

The guarantee is rendered null and void if any attempt is made to tamper with the device.

3. The guarantee is valid for a period of 2 years starting from the purchase date of the device. Guarantee claims should be submitted before the end of the guarantee period within two weeks of the defect being noticed. No guarantee claims will be accepted after the end of the guarantee period. The original guarantee period remains applicable to the device even if repairs are carried out or parts are replaced. In such cases, the work performed or parts fitted will not result in an extension of the guarantee period, and no new guarantee will become active for the work performed or parts fitted. This also applies when an on-site service is used.

Of course, we are also happy offer a chargeable repair service for any defects which are not covered by the scope of this guarantee or for units which are no longer covered. To take advantage of this service, please send the device to our service address.

©

The reprinting or reproduction by any other means, in whole or in part, of documentation and papers accompanying products is permitted only with the express consent of ISC GmbH.

© Technical changes subject to change

EH 11/2007