

## Stone cutting machine STR 250

Art.-No.: **43.014.12**

Bar-Code: **4006825508475**

Sales Unit: **1 pcs**

The sturdy and light stone cutting machine STR 250 is in the best way suitable by fast and problem-free assemble of the four-standard-condition base both for stationary and mobile application. With its extensive possibilities you can use the stone cutting machine in various work situation. The unit is designed for precise cutting of various sizes of concrete slabs, paving stones, marble slabs, granite slabs, bricks and ceramic tiles of any kind. With few handles you can make mitre and double mitre cuts and Jolly cuts. The diamond cutting disc is cooled with the integrated pump for cooling liquid and an almost dust free operation is possible. With the pivoting cutter head you can process the workpieces from until to 620 mm length (until 38 mm workpieces thickness) trouble-free.

### Technical data:

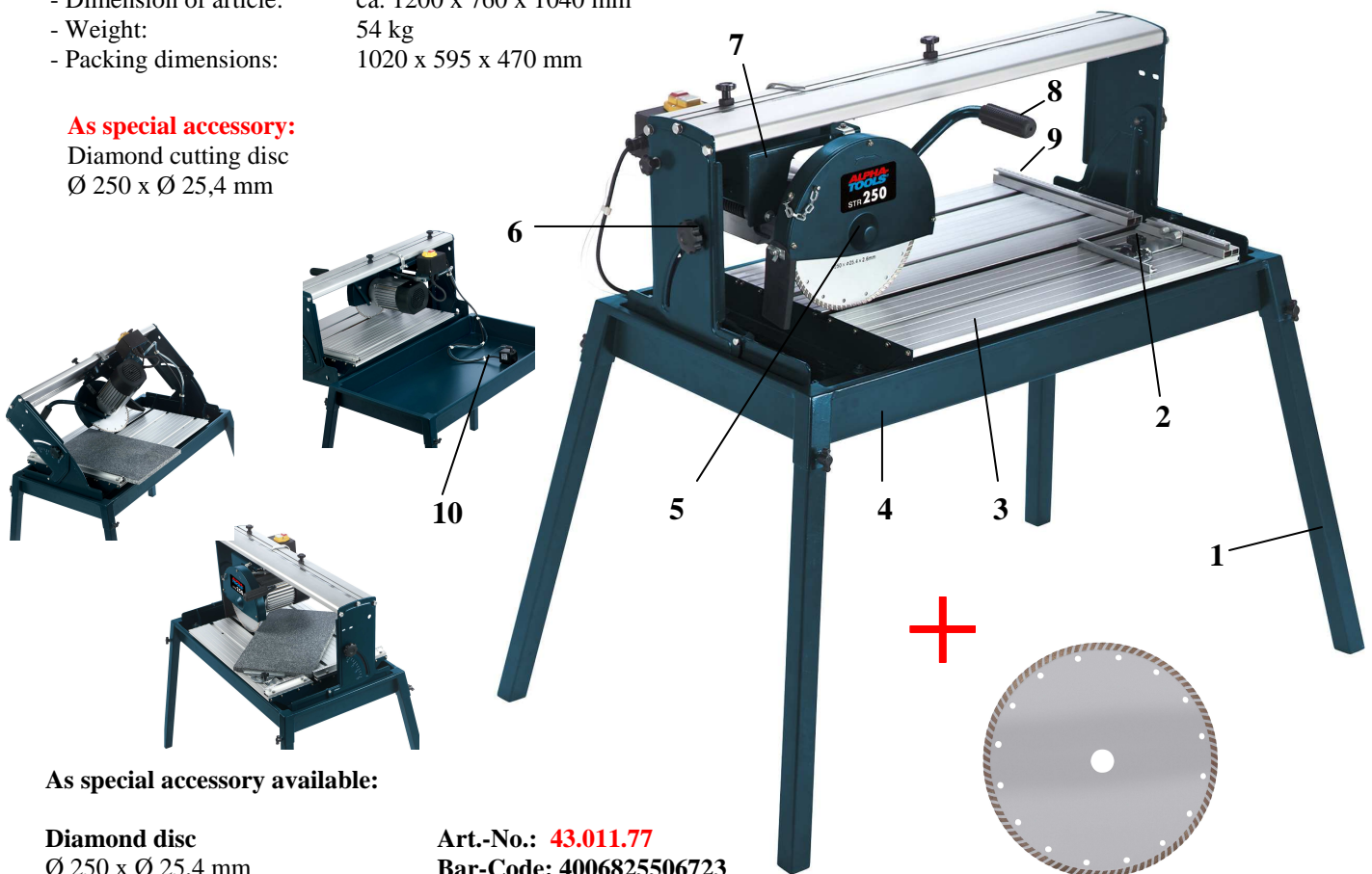
- Working Table:	660 x 510 mm
- Single phase motor:	230 V ~ 50 Hz
- Power:	1100 watts
- Idle speed $n_0$ :	2950 $\text{min}^{-1}$
- Cutting depth 90°:	max. 65 mm
- Cutting depth 45°:	max. 48 mm
- Cutting length until 38 mm:	max. 620 mm
- Cutting length over 38 mm:	max. 550 mm
- Mitre cut:	0° - 45°
- Diamond disc:	Ø 250 x Ø 25,4 mm
- Insulation class:	IP 54
- Dimension of article:	ca. 1200 x 760 x 1040 mm
- Weight:	54 kg
- Packing dimensions:	1020 x 595 x 470 mm

### Features:

- Standard condition base (1)
- Angle stop with scale (2)
- Aluminium Guide rails (3)
- Large water collecting tray (4)
- Sturdy disc cover of steel panel (5)
- Motor setting from 0° - 45° continuous mitre setting (6)
- Motor slide setting 4-fold on bal bearing (7)
- Stable handle (8)
- Table with compact Aluminium stop (9)
- Integrated cooling liquid pump (10)

### As special accessory:

Diamond cutting disc  
Ø 250 x Ø 25,4 mm



As special accessory available:

**Diamond disc**  
Ø 250 x Ø 25,4 mm

Art.-No.: **43.011.77**  
Bar-Code: **4006825506723**