

OPERATION

8. LOADING THE DRUM

IMPORTANT! ALWAYS START THE CEMENT MIXER BEFORE LOADING THE DRUM. LOAD THE DRUM WHILE IT IS ROTATING.

IMPORTANT! ENSURE MATERIAL IS NOT LOADED INTO THE MIXER ALL AT ONCE. ADD THE MATERIAL STEADILY OVER THE MIXING BLADES, THIS HELPS TO AVOID THE MATERIAL FROM STICKING TO THE BACK OF THE DRUM.

For best loading results, proceed as follows:

- Add the required amount of stone into the drum.
- Add the required amount of sand into the drum.
- Add the required amount of cement into the drum.
- Pour the required amount of water into the drum.

WARNING!

1. DO NOT LET THE SHOVEL MOUTH OR ANY OTHER DEVICES ENTER THE DRUM MOUTH DURING LOADING.
2. NEVER PLACE HANDS INSIDE THE REVOLVING DRUM OR NEAR ANY ROTATING PARTS.
3. PLACE THE CEMENT MIXER AS CLOSE AS POSSIBLE TO THE WORK SITE. DO NOT MOVE THE CEMENT MIXER WHEN LOADED.
4. RETIGHTEN ALL BOLTS ATTACHING MOTOR AND MOTOR HOUSING ASSEMBLY, DRUM ASSEMBLY AND FRAME ASSEMBLY AFTER FIRST MIX.

Note: When measuring out cement and ballast (or sharp sand/gravel), use a small bucket to ensure accurate ratios of cement: ballast. Refer to the instructions that come with your cement. Ensure your chosen quantity of concrete is large enough that the cement mixer will function and small enough that it will fit in the drum, see load sizes in specifications section of manual to calculate quantities.

- When the mixture is the right consistency to use, empty the drum. Pour the mixed cement by releasing the tipping handle and rotating the drum to the empty position while the machine is running. Be sure to pour the mix slowly and smoothly to avoid tilting the cement mixer.

- When the drum is empty, turn the cement mixer off.

IMPORTANT! DO NOT TURN THE MIXER OFF WHILE IT'S FULL OF MATERIAL. EMPTY THE DRUM WITH THE DRUM ROTATING.

MAINTENANCE

WARNING! ENSURE THE TOOL IS SWITCHED OFF AND DISCONNECTED FROM THE POWER SUPPLY BEFORE PERFORMING ANY OF THE FOLLOWING MAINTENANCE.

WARNING! DO NOT POUR OR SPRAY WATER DIRECTLY INTO OR OVER THE MOTOR COVER.

- Never put any of your body parts (including hands) inside the drum while it is rotating.
- Wipe off any external material on the motor cover. Do not use petrol, turpentine, lacquer, paint thinner, dry cleaning fluids or similar products.
- The use of chemical products or solvents may damage the motor cover.
- Thoroughly clean your cement mixer at the end of each days operation.
- Keep your cement mixer clean. The slightest trace of material left in the drum assembly will harden and attract more material each time the machine is used.
- Dried cement should be scraped out of the drum assembly.
- DO NOT throw bricks into the drum assembly to clean it out.
- DO NOT beat on the drum with a shovel, hammer or other tools to break up accumulation of dried cement mix as the cement mixer may be damaged.
- The drum may be scoured for approximately 2 minutes, using a 1" stone and water mixture. After this, discharge the stone/water mixture and hose down the drum assembly inside and out.
- The IP44 protection clad construction of the mixer enables the DRUM ASSEMBLY ONLY to be hosed down safely. Avoid getting water on the motor and motor housing, DO NOT wet the motor and motor housing.

General Maintenance

- Ball bearings are packed with grease at the factory. No further lubrication of bearings is required.
- During normal use, painted surfaces can lose their coating during the mixing process. Wipe all exposed surfaces regularly with an oily rag to prevent corrosion. (Note: Loss of paint and rust are not covered under warranty.)
- Keep air vents clean of dust and dirt.
- Remove dust and dirt from the cement mixer regularly with soft cloth, brush or compressed air. Use a mild detergent and a soft cloth to clean plastic parts.
- If the power cord is damaged, have it replaced by an electrician or a power tool repairer.
- Regularly check that all bolts, screws and nuts are securely fixed as these could work loose during normal operation.
- Do not open the motor cover under any circumstances.

Note: Ozito Industries will not be responsible for any damage or injuries caused by the repair of the cement mixer by an unauthorised person or by mishandling of the mixer.

TROUBLESHOOTING

FAULT	POSSIBLE CAUSES	SOLUTION
The Cement Mixer does not start.	Not Connected to mains power	Connect to mains power
	Power cord or plug is defective.	Contact Ozito customer service.
	Other electrical defect to the product	Contact Ozito customer service.
Cement Mixer does not reach full power	Extension cord not suitable for operation with this product	Use suitable extension cord..
	Power source (e.g. Generator) has too low voltage.	Connect to another power source.
	Mixing volume is too large	Reduce the amount of material
Unsatisfactory result	Mixer blades are dull/damaged	Replace with new ones
	Mixer blades not suitable for work piece material	Use proper mixing blades
Excessive vibration or noise	Mixer blades are dull/damaged.	Replace with new ones
	Bolts/nuts are loose.	Tighten bolts/nuts.

SPARE PARTS

Spare parts can be ordered from the Special Orders Desk at your local Bunnings Warehouse or Homebase store.

For further information, or any parts visit www.ozito-diy.co.uk or contact Ozito Customer Service: Great Britain: 0151 294 4488
Ireland: 1850 882711
E-mail: enquires@ozito-diy.co.uk

DESCRIPTION OF SYMBOLS

V	Volts	Hz	Hertz
~	Alternating current	W	Watts
/min	Revolutions or reciprocation per minute	No	No load speed
Ø	Diameter	cu ft	Cubic Foot
kPa	Kilo Pascals	⚠	Danger of electric shock
Hp	Horse power	⚠	Warning
□	Double insulated		
📖	Read Instruction Manual	👟	Wear Safety Boots
👁	Wear Eye Protection	🧤	Wear Safety Gloves
⚡	Do not discharge into drains, soil or water	🚫	Do not start the motor if the drum is fully loaded. Do not turn mixer off while full of concrete
🚫	Do not attempt to move the mixer when it is loaded and/or in operation	🚫	When operating, do not pass hands through the clearance between frame and support arm or the one between the drum and support arm
🚫	Do not place any part of your body on solid, flat, level ground in the drum during operation	🚫	Only use or operate the mixer on solid, flat, level ground
🚫	Only use or operate the mixer on solid, flat, level ground	🚫	Removing the guard is forbidden
🚫	Do not plug-in mixer with motor cover off	🚫	Keep hands out of the way of all moving parts
🚫	Keep bystanders away	🚫	Disconnect from power supply when performing maintenance

ELECTRICAL SAFETY

WARNING! When using mains-powered tools, basic safety precautions, including the following, should always be followed to reduce risk of fire, electric shock, personal injury and material damage. Read the whole manual carefully and make sure you know how to switch the tool off in an emergency, before operating the tool. Save these instructions and other documents supplied with this tool for future reference. The manufacturer cannot accept any liability for damage or accidents which arise due to a failure to follow these instructions and the safety information. Before you connect the appliance to the mains supply make sure that the data on the rating plate are identical to the mains data.

⚡ This tool is double insulated therefore no earth wire is required.

The power supply for this product should be protected by a residual current device (rated at 30mA or less). A residual current device reduces the risk of electric shock.

Note: Double insulation does not take the place of normal safety precautions when operating this tool. The insulation system is for added protection against injury resulting from a possible electrical insulation failure within the tool. **Using an Extension Lead** Always use an approved extension lead suitable for the power input of this tool. Before use, inspect the extension lead for signs of damage, wear and ageing. Replace the extension lead if damaged or defective. When using an extension lead on a reel, always unwind the lead completely. Use of an extension lead not suitable for the power input of the tool or which is damaged or defective may result in a risk of fire and electric shock.

GENERAL POWER TOOL SAFETY WARNINGS

WARNING! Read all safety warnings and all instructions. Failure to follow the warnings and instructions may result in electric shock, fire and/or serious injury. Save all warnings and instructions for future reference. The term "power tool" in the warnings refers to your mains-operated (corded) power tool or battery-operated (cordless) power tool.

1. **Work area safety**
 - a. Keep work area clean and well lit. Cluttered or dark areas invite accidents.
 - b. Do not operate power tools in explosive atmospheres, such as in the presence of flammable liquids, gases or dust. Power tools create sparks which may ignite the dust or fumes.
 - c. Keep children and bystanders away while operating a power tool. Distractions can cause you to lose control.
2. **Electrical safety**
 - a. Power tool plugs must match the outlet. Never modify the plug in any way. Do not use any adapter plugs with earthed (grounded) power tools. Unmodified plugs and matching outlets will reduce risk of electric shock.
 - b. Avoid body contact with earthed or grounded surfaces, such as pipes, radiators, ranges and refrigerators. There is an increased risk of electric shock if your body is earthed or grounded.
 - c. Do not expose power tools to rain or wet conditions. Water entering a power tool will increase the risk of electric shock.
 - d. Do not abuse the cord. Never use the cord for carrying, pulling or unplugging the power tool. Keep cord away from heat, oil, sharp edges or moving parts. Damaged or entangled cords increase the risk of electric shock.
 - e. When operating a power tool outdoors, use an extension cord suitable for outdoor use. Use of a cord suitable for outdoor use reduces the risk of electric shock.
 - f. If operating a power tool in a damp location is unavoidable, use a residual current device (RCD) protected supply. Use of an RCD reduces the risk of electric shock.
3. **Personal safety**
 - a. Stay alert, watch what you are doing and use common sense when operating a power tool. Do not use a power tool while you are tired or under the influence of drugs, alcohol or medication. A moment of inattention while operating power tools may result in serious personal injury.
 - b. Use personal protective equipment. Always wear eye protection. Protective equipment such as dust mask, non-skid safety shoes, hard hat, or hearing protection used for appropriate conditions will reduce personal injuries.
 - c. Prevent unintentional starting. Ensure the switch is in the off-position before connecting to power source and/or battery pack, picking up or carrying the tool. Carrying power tools with your finger on the switch or energising power tools that have the switch on invites accidents.

- d. Remove any adjusting key or wrench before turning the power tool on. A wrench or a key left attached to a rotating part of the power tool may result in personal injury.
- e. Do not overreach. Keep proper footing and balance at all times. This enables better control of the power tool in unexpected situations.
- f. Dress properly. Do not wear loose clothing or jewellery. Keep your hair, clothing and gloves away from moving parts. Loose clothes, jewellery or long hair can be caught in moving parts.
- g. If devices are provided for the connection of dust extraction and collection facilities, ensure these are connected and properly used. Use of dust collection can reduce dust-related hazards.
4. **Power tool use and care**
 - a. Do not force the power tool. Use the correct power tool for your application. The correct power tool will do the job better and safer at the rate for which it was designed.
 - b. Do not use the power tool if the switch does not turn it on and off. Any power tool that cannot be controlled with the switch is dangerous and must be repaired.
 - c. Disconnect the plug from the power source and/or the battery pack from the power tool before making any adjustments, changing accessories, or storing power tools. Such preventive safety measures reduce the risk of starting the power tool accidentally.
 - d. Store idle power tools out of the reach of children and do not allow persons unfamiliar with the power tool or these instructions to operate the power tool. Power tools are dangerous in the hands of untrained users.
 - e. Maintain power tools. Check for misalignment or binding of moving parts, breakage of parts and any other condition that may affect the power tool's operation. If damaged, have the power tool repaired before use. Many accidents are caused by poorly maintained power tools.
 - f. Keep cutting tools sharp and clean. Properly maintained cutting tools with sharp cutting edges are less likely to bind and are easier to control.
 - g. Use the power tool, accessories and tool bits etc. in accordance with these instructions, taking into account the working conditions and the work to be performed. Use of the power tool for operations different from those intended could result in a hazardous situation.
 - h) This appliance is not intended for use by persons (including children) with reduced physical, sensory or mental capabilities, or lack of experience and knowledge, unless they have been given supervision or instruction concerning use of the appliance by a person responsible for their safety.
 - i) Children should be supervised to ensure that they do not play with the appliance.
5. **Service**
 - a. Have your power tool serviced by a qualified repair person using only identical replacement parts. This will ensure that the safety of the power tool is maintained.
 - b) If the supply cord is damaged, it must be replaced by the manufacturer, its service agent or similarly qualified persons in order to avoid a hazard.

CEMENT MIXER SAFETY WARNINGS

WARNING! For your own safety, do not try to use your cement mixer or plug it in until it is completely assembled and installed according to the instructions and until you have read and understood the following:

This appliance is not intended for use by persons (including children) with reduced physical, sensory or mental capabilities, or lack of experience and knowledge, unless they have been given supervision or instruction concerning use of the appliance by a person responsible for their safety.

Children should be supervised to ensure that they do not play with the appliance.

- **Avoid dangerous conditions.** Do not use the mixer in wet or damp areas or expose it to rain. Do not use it in areas where fumes from paint, solvents or flammable liquids pose a potential hazard.
- **Inspect your cement mixer.** Check your cement mixer before turning it on. Keep guards in place and in working order. Form a habit of checking to see that keys and adjusting wrenches are removed from the cement mixer area before turning on. Replace damaged, missing or failed parts before using it.
- **Wear protective gear.** Foreign objects may be thrown from the cement mixer while in operation. This can cause facial injuries. Always wear safety goggles and/or face shields.

- **Loading the cement mixer.** Do not attempt to load or unload the contents until the cement mixer has stopped. Keep hands out of the way of all moving parts.
- **Never leave cement mixer running unattended.** Don't leave cement mixer until it has come to a complete stop.
- **Disconnect power.** Unplug when not in use, before making adjustments, changing parts, cleaning, or working on the mixer.
- **Maintain your cement mixer with care.** Clean the cement mixer immediately after use. Keep the cement mixer clean for best and safest performance.
- **Moving the cement mixer.** Do not tow the cement mixer by using a vehicle. Use an approved trailer to move the cement mixer if it is to be transported.
- **Drugs, alcohol and medication.** Do not operate the mixer while under the influence of drugs, alcohol, or any medication that could affect your ability to use it properly.

ozito

CEMENT MIXER

550W 125L

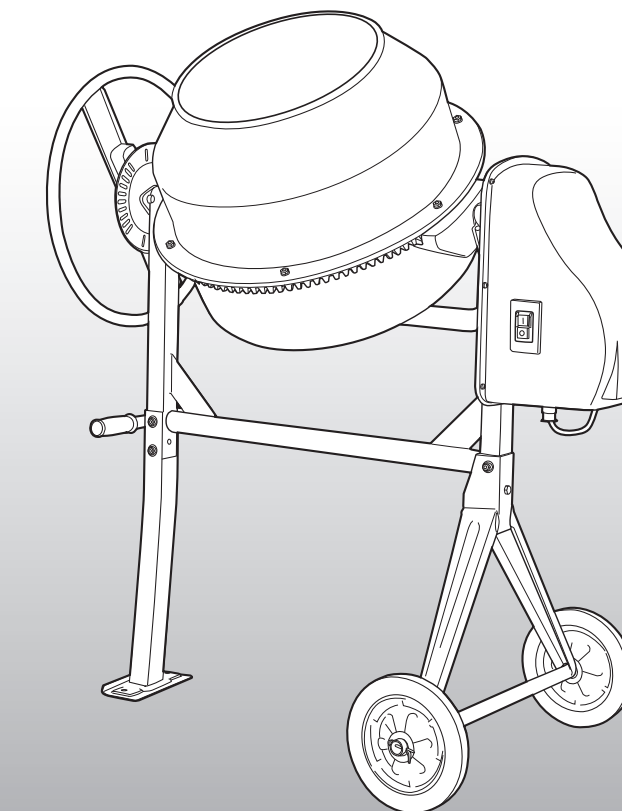
ORIGINAL INSTRUCTIONS

SPECIFICATIONS

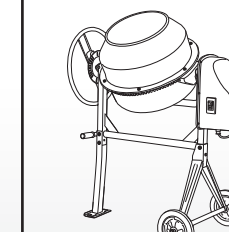
Motor: 550W
No Load Speed: 2950/min
Drum Speed: 34/min
Gross Drum Volume: 125L (4.41 cu ft)
Unmixed Dry Volume: 100L (3.53 cu ft)
Mixed Wet Volume: 91L (3.21 cu ft)
Drum Mouth: Ø375mm (14 1/4")
IP Rating: IP44
Weight: 48kg

ozito-diy.co.uk

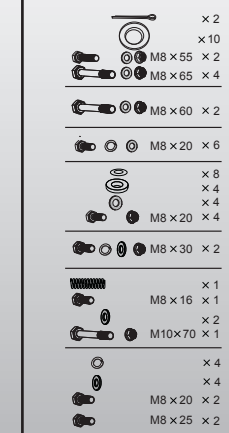
3 YEAR REPLACEMENT WARRANTY



WHAT'S IN THE BOX



Cement Mixer



Assembly Fasteners

CMX-125U

WARRANTY

All of our products undergo strict quality checks to ensure that they reach you in perfect condition. In the unlikely event that your device develops a fault, please contact our service department at the address shown on this guarantee card. You can also contact us by telephone using the customer service number shown. Please note the following terms under which guarantee claims can be made:

1. These warranty terms regulate additional warranty services, which the manufacturer mentioned below promises to buyers of its new products in addition to their statutory guarantee claims are not affected by this guarantee. Our guarantee is free of charge to you.

2. The warranty services only covers defects due to material or manufacturing faults on a product which you have bought from the manufacturer mentioned below are limited to either the rectification of said defects on the product or the replacement of the product, whichever we prefer. Please note that our devices are not designed for use in commercial, trade or professional applications. A guarantee contract will not be created if the device has been used by commercial, trade or industrial business or has been exposed to similar stresses during the guarantee period.

3. The following are not covered by our guarantee:
- Damage to the device caused by a failure to follow the assembly instructions or due to incorrect installation, a failure to follow the operating instructions (for example connecting it to an incorrect mains voltage or current type) or a failure to follow the maintenance and safety instructions or by exposing the device to abnormal environmental conditions or by lack of care and maintenance.
- Damage to the device caused by abuse or incorrect use (for example overloading the device or the use of unapproved tools or accessories), ingress of foreign bodies into the device (such as sand, stones or dust, transport damage), the use of force or damage caused by external forces (for example by dropping it).
- Damage to the device or parts of the device caused by normal or natural wear or tear or by normal use of the device.

4. Your Product is guaranteed for a period of 36 months from the original date of purchase and is intended for DIY (Do It Yourself) use only. Warranty excludes consumable parts. Guarantee claims should be submitted before the end of the guarantee period within two weeks of the defect being noticed. No guarantee claims will be accepted after the end of the guarantee period. The original guarantee period remains applicable to the device even if repairs are carried out or parts are replaced. In such cases, the work performed or parts fitted will not result in an extension of the guarantee period, and no new guarantee will become active for the work performed or parts fitted. This also applies if an on-site service is used.

IN ORDER TO MAKE A CLAIM UNDER THIS WARRANTY YOU MUST RETURN THE PRODUCT TO THE PLACE OF PURCHASE WITH YOUR REGISTER RECEIPT.

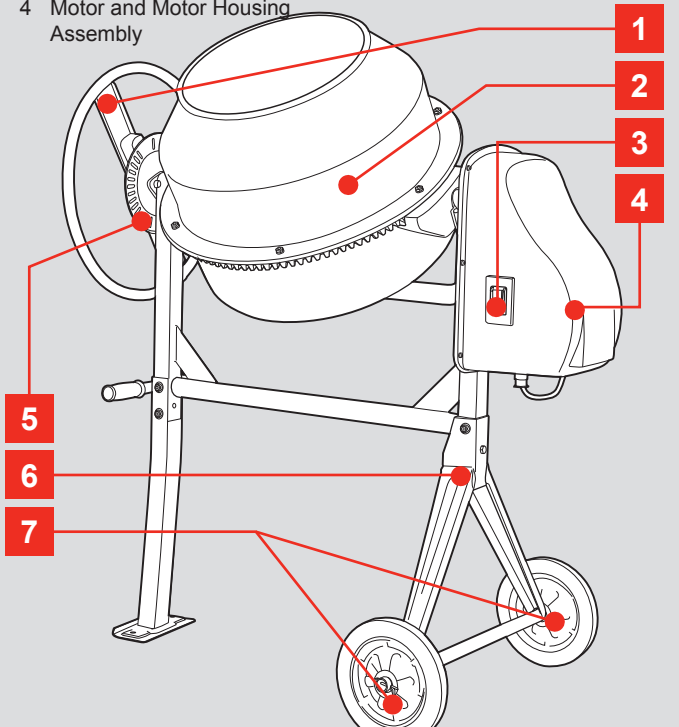
Please refer to the restrictions of this warranty concerning wearing parts, consumables and missing parts as set out in the service information in these operating instructions.

CUSTOMER SERVICE HELPLINE
GB: 0151 294 4488
IRL: 1850 882711
Ozito-diy.co.uk

KNOW YOUR PRODUCT

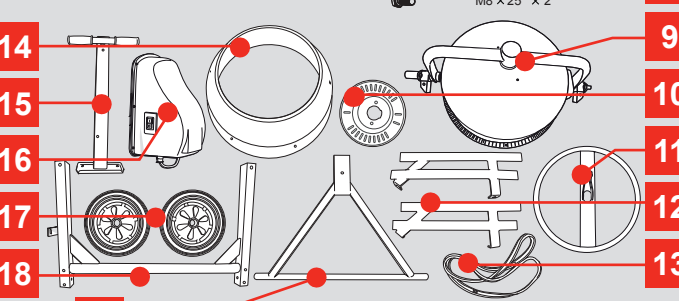
CEMENT MIXER

- 1 Tipping Handle
- 2 Drum Assembly
- 3 On/Off Switch
- 4 Motor and Motor Housing Assembly
- 5 Locking Plate
- 6 Frame Assembly
- 7 Wheels



ASSEMBLY COMPONENTS

- 8 Assembly Fasteners
- 9 Lower Drum
- 10 Locking Plate
- 11 Tipping Handle
- 12 Mixing Blades
- 13 Rubber Gasket
- 14 Upper Drum
- 15 Support Leg
- 16 Motor and Motor Housing
- 17 Wheels
- 18 Frame
- 19 Wheel Frame



ONLINE MANUAL

Scan this QR Code with your mobile device to take you to the online manual.



SETUP & PREPARATION

1. FRAME ASSEMBLY

WARNING! ENSURE THE TOOL IS SWITCHED OFF AND DISCONNECTED FROM THE POWER SUPPLY BEFORE PERFORMING ANY OF THE FOLLOWING ASSEMBLY.

Tools Required (Not Supplied)

Spanners 13, 14 & 17mm.
Note: It is recommended that two people assemble the cement mixer.

- Use assembly fasteners bag **A**.
 - × 2
 - M8 x 55 × 2
 - M8 x 65 × 4
- First place 2 large washers then wheel, followed by another 3 large washer onto axle of the wheel frame, secure the assembly with split pin. Repeat assembly for other wheel.
- Align and insert wheel assembly and support leg into the frame.
- Insert the M8x65 hex bolts with washer through the 2 holes from one side and the M8x55 hex bolt with washer through the end hole of the support leg and secure with nut.
- Insert the M8x65 hex bolts with washer through the 2 holes from one side and the M8x55 hex bolt with washer through the end hole of the wheel assembly and secure with nut.
- Tighten bolts and nuts assembled in above steps 4 & 5 with a 13 and 14mm spanners (not supplied).

2. DRUM ASSEMBLY

- Use assembly fasteners bag **B**.
 - M8 x 60 × 2
- With the help of a second person, carefully set the lower drum onto the side supports of the frame assembly. Ensure the large diameter shaft is at the support leg end of the stand.
- Secure the lower drum to the frame assembly by inserting the M8x55 bolts with washers into the side supports and secure with the nuts. Tighten with 13 & 14mm spanners (not supplied).
- Align the Rubber Gasket with the holes and screw heads on the lower drum.
Note: Ensure the Rubber Gasket is not twisted and flat on the lower drum.
- Use assembly fasteners bag **C**.
 - M8 x 20 × 6
- Position the upper drum over the rim of the lower drum. Ensure that all the mounting holes align as well as the arrows on either side of the rim.
- Insert the M8x20 bolts, spring washers and flat washers into each of the mounting holes in the rim. Secure each bolt with 14mm spanner (not supplied).

3. MIXING BLADE ASSEMBLY

- Use assembly fasteners bag **D**.
 - × 8
 - × 4
 - × 4
 - M8 x 20 × 4
- Insert 2 M8x20 bolts and washers into the upper and lower drum from the outside. Place the rubber washer, thin washer onto the bolt followed by the end of the mixing blade and secure with thin washer and nut.
Note: Position the mixing blade inside the drum assembly with the pointed end facing downward.
- Repeat step 2 for the second mixing blade. Then ensure both ends of the mixing blades are tight.

4. LOCKING PLATE ASSEMBLY

- Use assembly fasteners bag **E**.
 - M8 x 30 × 2
- Slide the locking plate over the large diameter shaft at the support leg end of the frame assembly. Ensure the plate is correctly aligned with the bearing bracket and clear of the circlip.
- Insert the 2 M8x30 hex bolts, spring washers and washers. Secure with nut from rear of bearing bracket. Tighten with 13 & 14mm spanners (not supplied).

5. TIPPING HANDLE & MOTOR ASSEMBLY

- Use assembly fasteners bag **F**.
 - × 1
 - M8 x 16 × 1
 - × 2
 - M10x70 × 1
- Insert the M8x16 bolt and spring into the tube of the tipping handle. Engage the locating pins into the locking plate and use this as a lever to compress the spring against the large shaft.
- Insert the M10x70 bolt with washer and nut. Tighten with 17mm spanner (not supplied).
Note: Ensure the tipping handle easily pivots on the large shaft so that the locating pins can be engaged and disengaged.
- Use assembly fasteners bag **G**.
 - × 4
 - × 4
 - M8 x 20 × 2
 - M8 x 25 × 2
- Slide the motor and motor housing over the pinion shaft lining up the key ways. Secure the motor and motor housing to the frame with the bolts, spring washers and washers. Tighten with 14mm spanner (not supplied).

6. PLACEMENT

The product may only be placed on a flat surface. To provide added stability screw the product to a concrete floor with the proper fixation materials including bolts, screws and washers.

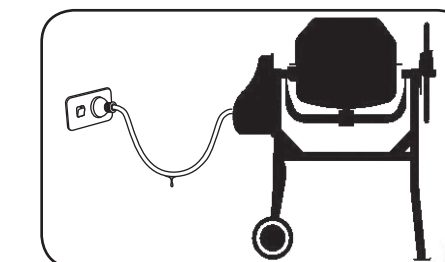
WARNING! DO NOT PLACE ANY MATERIAL UNDER THE PRODUCT TO ADJUST THE HEIGHT OR TO ATTEMPT TO IMPROVE ITS STABILITY! IF THE PRODUCT IS ON AN ANGLE AND/OR WOBBLY, MOVE IT TO A DIFFERENT LOCATION. NEVER OPERATE THE PRODUCT ON SOFT SURFACES SUCH AS A LAWN OR GRAVEL SINCE IT COULD SINK OR TIP OVER DURING OPERATION!

The Support Leg has two mounting holes that can be used to ensure sufficient stability. Use two screws or bolts (not included, recommended size M10) to secure.

Drip Loop

To avoid the possibility of the appliance plug or power point getting wet, the user should arrange a "drip loop" in the cord connecting the cement mixer to a wall mounted power point.

The "drip loop" is the part of the cord that sits below the level of the power point (or the connector if an extension cord is used). It prevents water travelling along the cord and coming in contact with the power point.



7. CONTROLS

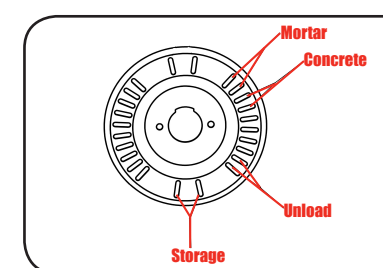
CAUTION! TO REDUCE THE RISK OF ELECTRICAL SHOCK, THE USE OF A RESIDUAL CURRENT DEVICE (RATED 30mA OR LESS) IS RECOMMENDED.

Setting the Operating Position

WARNING! HOLD THE CONTROL HANDLE TIGHTLY WHILE TURNING IT.

- Disengage the locating pins by pulling out on the control handle away from the locking plate to allow the drum to rotate.
- Rotate the drum to the desired position by aligning the locating pin with two of the holes in the locking plate.
- Engage the control handle locating pins to secure the position.

The drum can be set at different position to cater for mixing mortar and concrete, emptying or storing.



Turning the Mixer On and Off

- To start the mixer press the green on "I" button.
- To stop the mixer press the red off "O" button.

