



Einhell

BLUE

BG-PW 48 Petrol Water Pump

Art.-No. 41.713.41

Current-independent water supply for allotment garden and weekend house. Self-sucking centrifugal pump with durable 4-stroke motor. Simply starting by electronic ignition.

Features

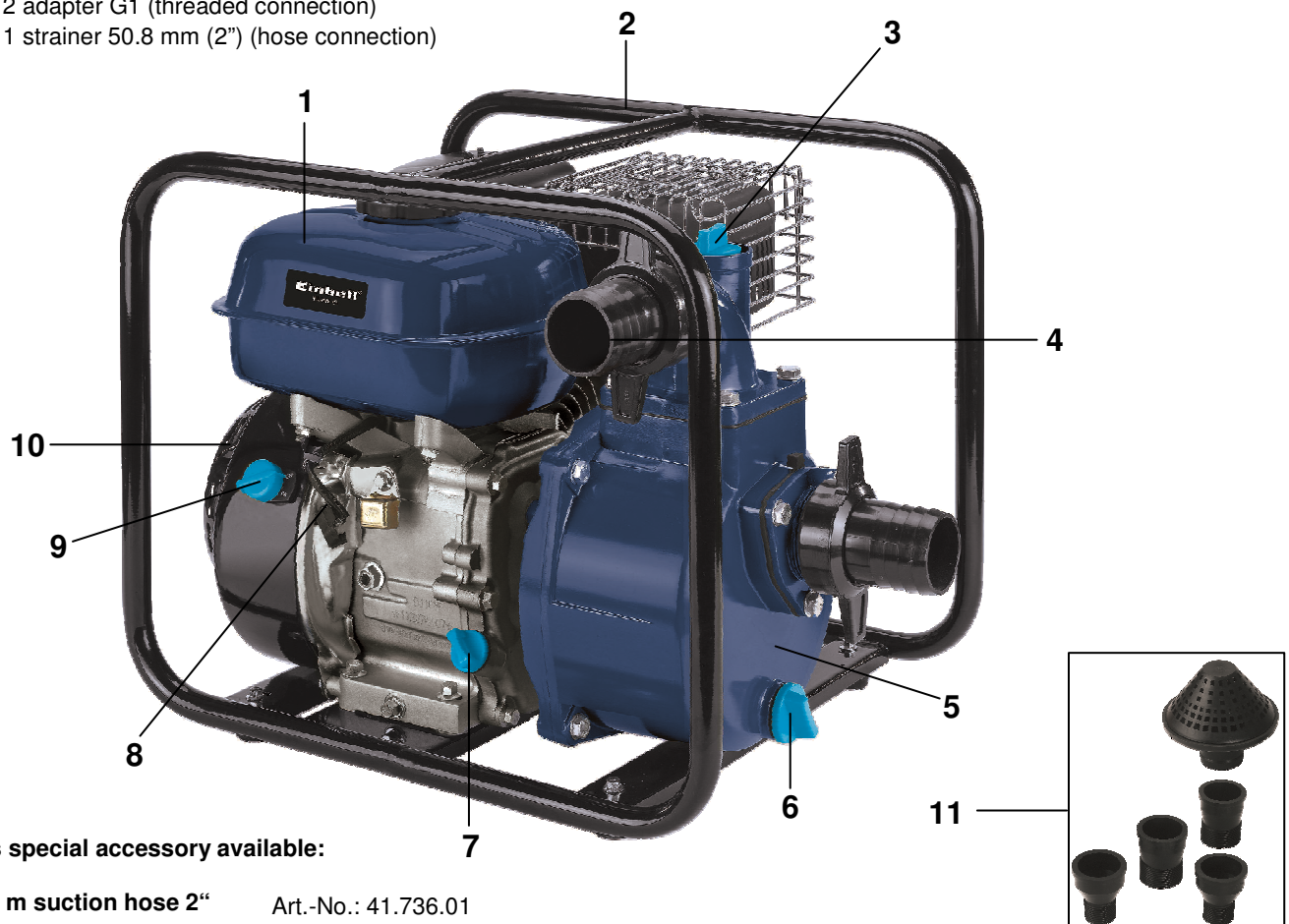
- 3.6 l tank (1)
- Sturdy tubular frame (2)
- Water fill nozzle (3)
- Suction connection G2 male thread (4)
- Sturdy pump housing (5)
- Water drain plug (6)
- Pressure connection G2 male thread
- Oil filler screw (7)
- Oil deficiency protection (8)
- ON / OFF-switch (9)
- Sturdy petrol motor (10)
- Reverse starter

Standard accessory (11)

- 2 adapter 50.8 mm (2") (hose connection) (not illustrated)
- 2 adapter G1¼ (threaded connection)
- 2 adapter G1 (threaded connection)
- 1 strainer 50.8 mm (2") (hose connection)

Technical Data

- | | |
|-----------------------|----------------------------------|
| ■ 4-stroke motor: | 4.8 kW / 6.5 HP |
| ■ Delivery capacity: | 35 m ³ /h = 583 l/min |
| ■ Delivery pressure: | 2.6 bar |
| ■ Delivery height: | 26 m |
| ■ No-load speed max.: | 3,600 rpm |
| ■ Fuel: | petrol |
| ■ Suction height: | 6 m |
| ■ Tank volume: | 3.6 l |
| ■ Net weight: | 28 kg |
| ■ Gross weight: | 29 kg |
| ■ Packing dimensions: | 475 x 400 x 405 mm |
| ■ Bar code: | 4006825 548624 |
| ■ Sales unit: | 1 pc |



As special accessory available:

6 m suction hose 2"
Einhell Grey

Art.-No.: 41.736.01
Bar code: 4006825 548679