



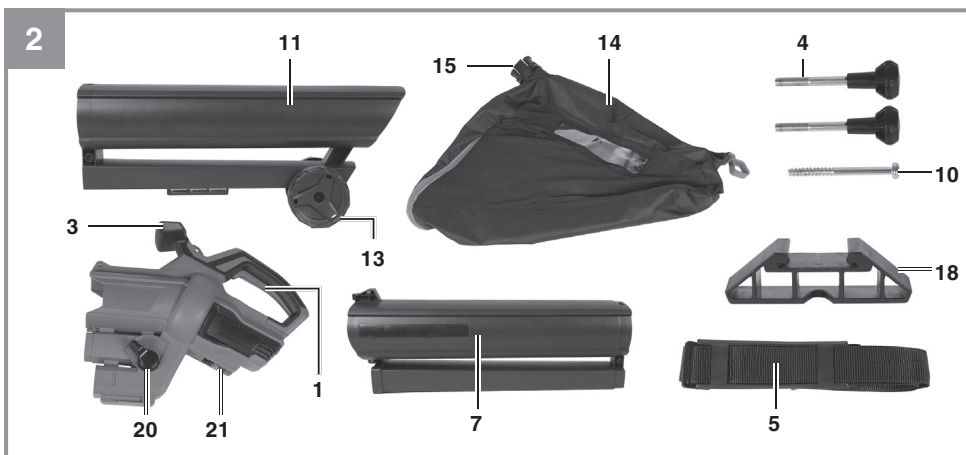
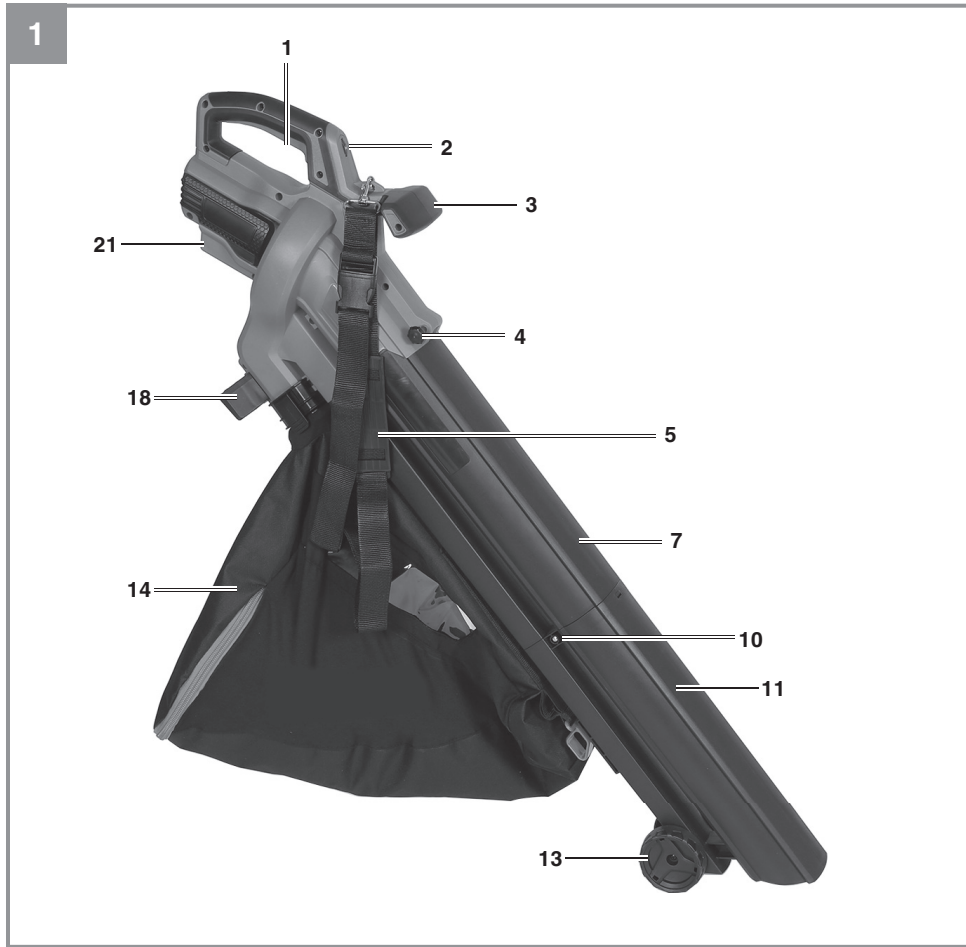
**VENTURRO 18/210**

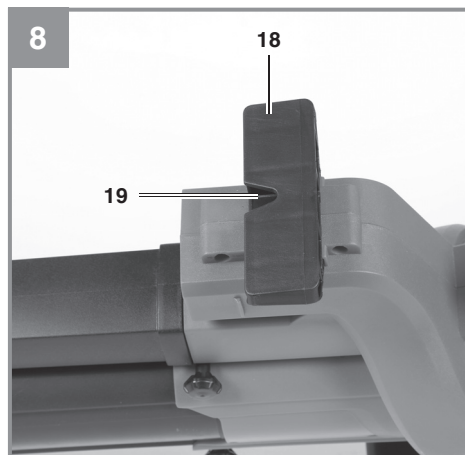
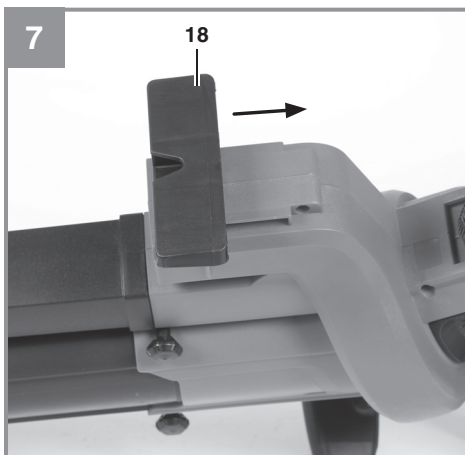
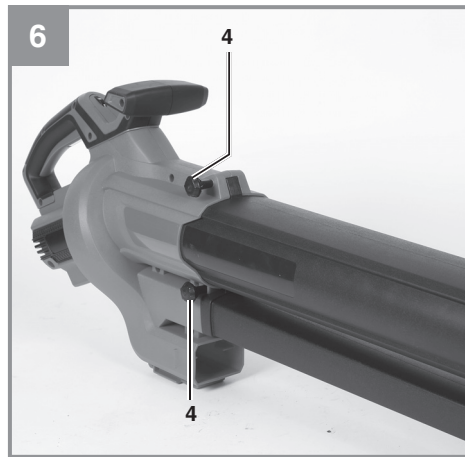
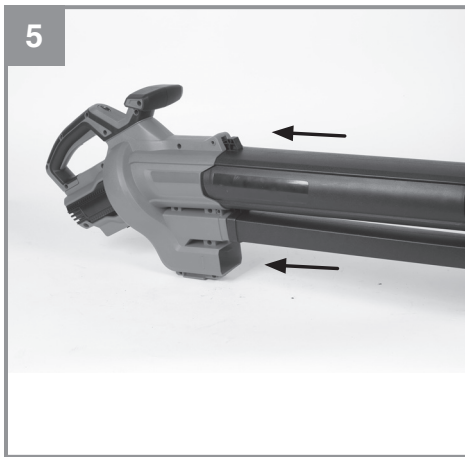
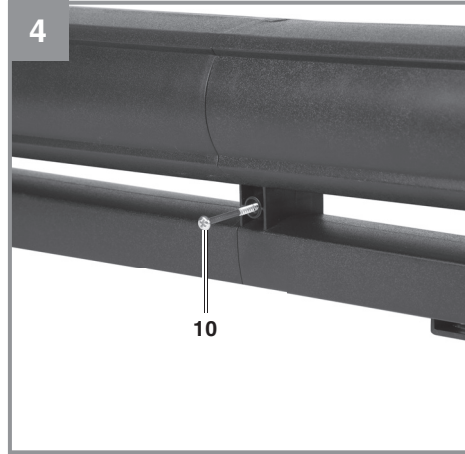
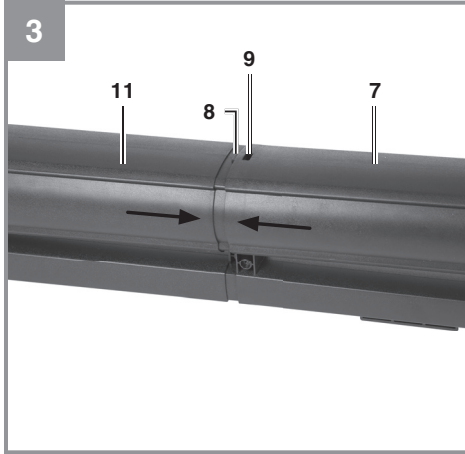
- EN** Operating instructions  
3-in-1 Cordless Leaf Blower/  
Vacuum/ Mulcher
- FR** Mode d'emploi  
Souffleuse/Aspirateur/Broyeuse de  
Feuilles 3 en 1 sans fil
- SP** Manual de instrucciones  
Soplador/ Aspirador/ Limpiador de  
hojas 3 en 1 inalámbrico

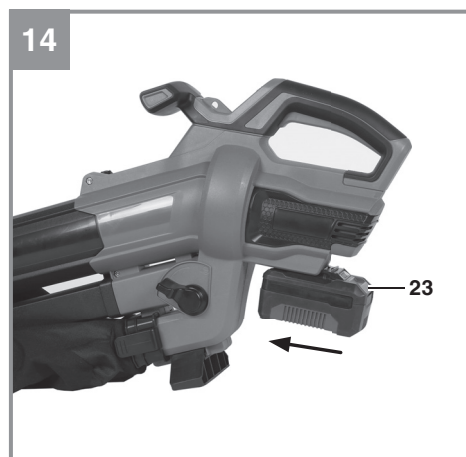
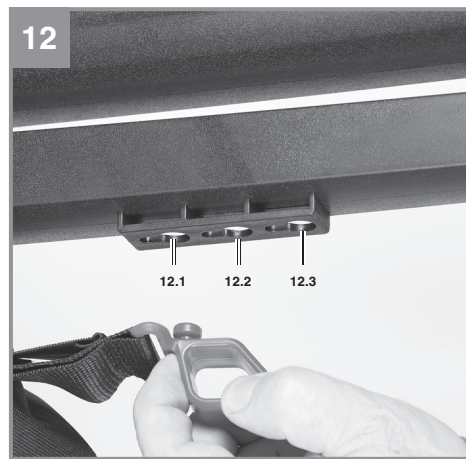
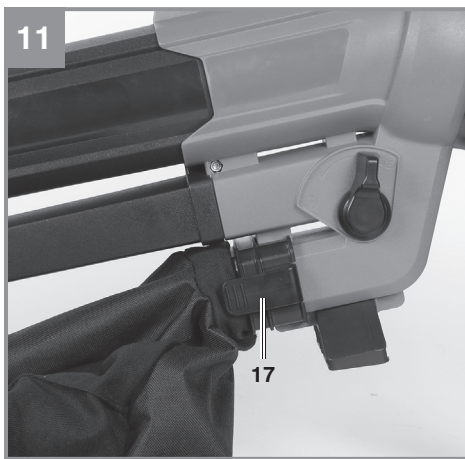
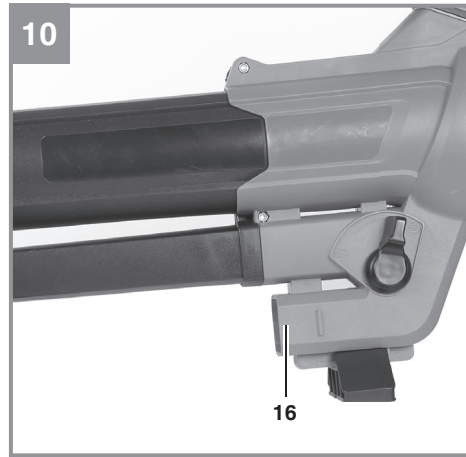
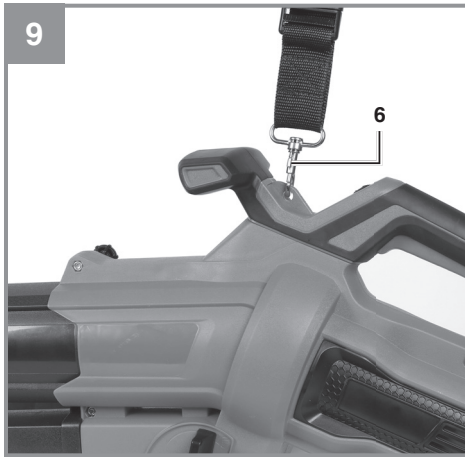


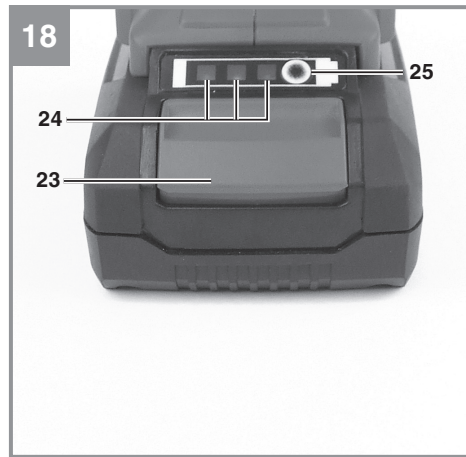
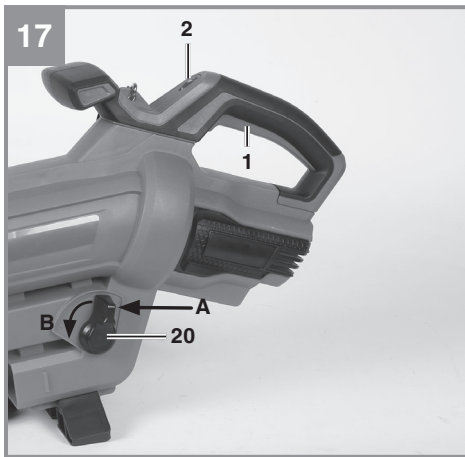
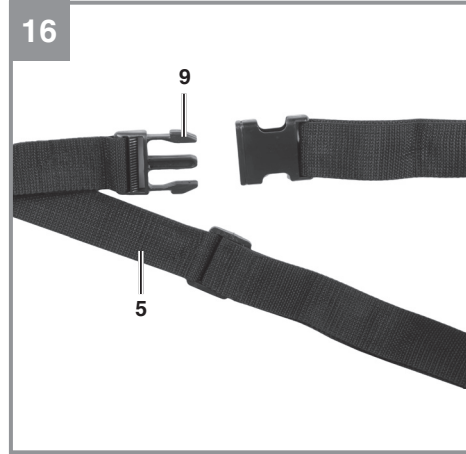
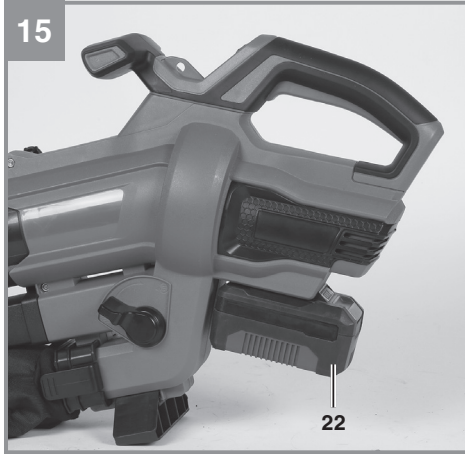
**Art.-Nr.: 3433647**

**I.-Nr.: 21013**











**Danger!** - Read the operating instructions to reduce the risk of injury.



Read the directions for use before operating the tool.



Keep all other persons away from the danger zone.



Do not use the tool in rain or snow. Do not expose the tool to wet conditions.



Wear goggles and ear muffs.



Rotating parts. Keep your hands and feet away from all openings.



Store the batteries only in dry rooms with an ambient temperature of 50°F to 104°F (+10°C to +40°C).  
Place only fully charged batteries in storage (charged at least 40%).

**DANGER!**

When using the equipment, a number of safety precautions must be observed to avoid injuries and damage. Please read the complete operating instructions and safety information with due care. Keep these operating instructions in a safe place so that the information is available at all times. If you give the equipment to any other person, hand over these operating instructions and the safety information as well. We cannot accept any liability for damage or accidents which arise due to failure to follow these instructions and the safety information.

Household use only.

## 1. Safety information

### IMPORTANT SAFETY INSTRUCTIONS

#### Read All Instructions

**WARNING:** When using electric gardening appliances, basic safety precautions should always be followed to reduce the risk of fire, electric shock, and personal injury, including the following:

**WARNING –** To reduce the risk of fire, electric shock, or injury:

- 1) Do not use outdoors or on wet surfaces.
- 2) Do not allow to be used as a toy. Close attention is necessary when used by or near children.
- 3) Use only as described in this manual. Use only manufacturer's recommended attachments.
- 4) Do not use with damaged cord or plug. If appliance is not working as it should, has been dropped, damaged, left outdoors, or dropped into water, return it to a service center.
- 5) Do not pull or carry by cord, use cord as a handle, close a door on cord, or pull cord around sharp edges or corners. Do not run appliance over cord. Keep cord away from heated surfaces.
- 6) Do not handle plug or appliance with wet hands.
- 7) Do not put any object into openings. Do not use with any opening blocked; keep free of dust, lint, hair, and anything that may reduce air flow. Keep hair, loose clothing, fingers, and all parts of body away from openings and moving parts.

- 8) Turn off all controls before unplugging.
- 9) Use extra care when cleaning on stairs.
- 10) Do not use to pick up flammable or combustible liquids, such as gasoline, or use in areas where they may be present.

#### For a vacuum cleaner:

"Do not pick up anything that is burning or smoking, such as cigarettes, matches, or hot ashes."

"Do not use without dust bag and/or filters in place."

The machine is never allowed to be used when there are people – particularly children – or pets nearby.

#### FOR ALL APPLIANCES

- Prevent unintentional starting. Ensure the power switch is in the off-position before connecting to battery pack, picking up or carrying the appliance. Carrying the appliance with your finger on the power switch or energizing the appliance that has the power switch on invites accidents.
- Make sure the power switch is off and the battery pack is removed before clearing jammed material, making adjustments, changing accessories, storing or servicing the appliance. Unexpected actuation of the appliance while clearing jammed material or servicing may result in serious personal injury.
- Avoid dangerous environments - do not use appliances in damp or wet locations.
- Don't use in rain.
- Keep children away - all people and pets should be kept at a distance from the work area.
- Dress properly - do not wear loose clothing or jewelry. They can be caught in moving parts. Wear protective clothing; use of work gloves, long pants, a long sleeved shirt and safety footwear is recommended when working outdoors. Wear protective hair covering to contain long hair.
- Use safety glasses - always use face or dust mask if the area in which you are working is dusty. The purpose of the safety rules is to attract your attention to possible dangers. The safety symbols and the explanations with them, require your careful attention and understanding. The safety warnings do not by themselves eliminate any danger. The instruction or warnings they give are not

substitutes for proper accident prevention measures.

- Use right appliance - do not use appliance for any job except that for which it is intended.
- Do not force appliance - it will do the job better and with less likelihood of a risk of injury at the rate for which it was designed.
- Do not overreach - keep proper footing and balance at all times.
- Stay alert. Use common sense. Do not operate appliance when you are tired or under the influence of drugs, alcohol or medication.
- When not in use, appliances should be stored indoors in dry places out of reach of children.
- Maintain appliance with care. Follow instructions for lubricating and changing accessories. Keep handles dry, clean, and free from oil and grease.
- Check damaged parts. Before using the appliance, make sure the safety guards are intact. Never use a tool without its safety guard. Check the alignment of the moving parts, the binding of the moving parts.
- Check for broken or defective parts that can affect the safe operation of your tool. A guard or other part that is damaged should be properly repaired or replaced by an authorized service centre unless indicated elsewhere in this manual.
- Recharge only with the charger specified by the manufacturer. A charger that is suitable for one type of battery pack may create a risk of fire when used with another battery pack.
- Use appliances only with specifically designated battery packs. Use of any other battery packs may create a risk of injury and fire.
- When battery pack is not in use, keep it away from other metal objects, like paper clips, coins, keys, nails, screws or other small metal objects, that can make a connection from one terminal to another. Shorting the battery terminals together may cause burns or a fire.
- Under abusive conditions, liquid may be ejected from the battery; avoid contact. If contact accidentally occurs, flush with water. If liquid contacts eyes, additionally seek medical help. Liquid ejected from the battery may cause irritation or burns. (This advice is considered correct for conventional NiMH, NiCd, lead acid and Lithium-ion cell types. If this advice is incorrect for a cell design that differs from these, then the correct advice may be substituted.)
- Do not use a battery pack or appliance that is damaged or modified. Damaged or modified batteries may exhibit unpredictable behavior resulting in fire, explosion or risk of injury.
- Do not expose a battery pack or appliance to fire or excessive temperature. Exposure to fire or temperature above 266°F (130°C) may cause explosion.
- Follow all charging instructions and do not charge the battery pack or appliance outside of the temperature range specified in the instructions. Charging improperly or at temperatures outside of the specified range may damage the battery and increase the risk of fire.
- Have servicing performed by a qualified repair person using only identical replacement parts. This will ensure that the safety of the product is maintained.
- Do not modify or attempt to repair the appliance or the battery pack (as applicable) except as indicated in the instructions for use and care.

#### 1.) FOR ALL BATTERY-OPERATED APPLIANCES:

- Do not charge appliance in rain, or in wet locations.
- Do not use battery-operated appliances in the rain. Always remove or disconnect battery pack before adjusting, cleaning, servicing or transporting the garden appliances.

#### 2.) FOR ALL BATTERY-OPERATED PRODUCTS EMPLOYING A DETACHABLE OR SEPARABLE BATTERY:

- Use only the following type and size battery:
  - 18V 1.5Ah PXC Lithium-ion battery
  - 18V 2.0Ah PXC Lithium-ion battery
  - 18V 3.0Ah PXC Lithium-ion battery
  - 18V 4.0Ah PXC Lithium-ion battery
  - 18V 3.0Ah PXC Plus Lithium-ion battery
  - 18V 4.0Ah PXC Plus Lithium-ion battery
  - 18V 5.2Ah PXC Plus Lithium-ion battery
  - 18V 4.0Ah/6.0Ah PXC Plus Lithium-ion battery
- Do not dispose of the battery in a fire. The cell may explode. Check with local codes for possible special disposal instructions.
- Do not open or mutilate the battery. Released electrolyte is corrosive and may cause damage to the eyes or skin. It may be toxic if swallowed.
- Exercise care in handling the battery in order



not to short it with conducting materials such as rings, bracelets, and keys. The battery or conductor may overheat and cause burns.

**3.) AVOID UNINTENTIONAL STARTING – DO NOT INSERT BATTERY WHILE YOUR FINGER IS ON THE SWITCH. BE SURE SWITCH IS OFF WHEN INSERTING THE BATTERY.**

**GENERAL SAFETY WARNINGS FOR THE BATTERY PACK**

- Dispose of used battery promptly and properly. When disposing of secondary cells or batteries, keep cells or batteries of different electrochemical systems separate from each other.
- Keep battery out of reach of children and in original package until ready to use.
- Never put batteries in one's mouth. If swallowed, contact local poison control centre immediately.
- CAUTION – The battery used in this device may present a risk of fire or chemical burn if mishandled. Replace battery with Einhell/lawn master brand only. Use of another battery may present a risk of fire or explosion.
- WARNING: Do not use a visibly damaged battery pack or appliance.
- WARNING: Do not modify or attempt to repair the appliance or the battery pack.
- **BATTERIES MUST BE RECYCLED.**
- Do not short-circuit a cell or battery. Do not store cells or batteries haphazardly in a box or drawer where they may short-circuit each other or be short-circuited by conductive materials.
- Do not subject cells or batteries to mechanical shocks.
- Keep cells and batteries clean and dry. Wipe the cell or battery terminals with a clean dry cloth if they become dirty.
- Do not maintain secondary cells and batteries on charge when not in use.
- Retain the original cell and battery. Do not use any charger other than that specifically provided for use with the equipment. Secondary cells and batteries need to be charged before use. Always use the correct charger and refer to the manufacturer's instructions or equipment manual for proper charging instructions.
- When possible, remove the battery from the equipment when not in use.
- Prevent unintentional starting. Ensure the

switch is in the off-position before connecting to the battery pack, picking up or carrying the appliance. Carrying the appliance with your finger on the switch or energizing appliances that have the switch on invites accidents.

- Disconnect the battery pack from the appliance before making any adjustments, changing accessories, or storing appliance. Such preventive safety measures reduce the risk of starting the appliance accidentally.
- Under abusive conditions, liquid may be ejected from the battery; avoid contact. If contact accidentally occurs, flush with water. If liquid contacts eyes, additionally seek medical help. Liquid ejected from the battery may cause irritation or burns.
- Have servicing performed by a qualified repair person using only identical replacement parts. This will ensure that the safety of the product is maintained.
- **Protect your rechargeable battery against moisture, rain and high humidity.** Moisture, rain and high humidity can cause dangerous cell damage. Never charge or work with batteries which have been exposed to moisture, rain or high humidity – replace them immediately.
- If your equipment is fitted with a detachable battery, remove the battery for safety reasons after you have finished your work.

**IMPORTANT SAFETY INSTRUCTIONS FOR CHARGER**

**WARNING:** This product may contain lead, phthalate or other chemicals known to the State of California to cause cancer, birth defects and other reproductive harm. Please wash your hands after use.

**Protection from environmental influences**

1. Wear suitable work clothes. Wear safety goggles.
2. **Protect your cordless tool and the battery charger from moisture and rain.** Moisture and rain can cause dangerous cell damage.
3. Do not use the cordless tool or the battery charger near vapors and inflammable liquids.
4. Use the battery charger and cordless tools only in dry conditions and an ambient temperature of 50°F to 104°F (10°C to 40°C).
5. Do not keep the battery charger in places where the temperature is liable to reach over 104°F (40°C). In particular, do not leave the battery charger in a car that is parked in the sunshine.

6. **Protect batteries from overheating.**  
Overloads, over-charging and exposure to direct sunlight will result in overheating and cell damage. Never charge or work with batteries which have been overheated – replace them immediately if possible.
7. **Storage of batteries, battery chargers and cordless tools.** Store the charger and your cordless tool only in dry places with an ambient temperature of 50°F to 104°F (10°C to 40°C). Store the Lithium-Ion rechargeable battery in a cool and dry place at 50°F to 68°F (10°C to 20°C). Protect them from humidity and direct sunlight! Place only fully charged batteries in storage (charged at least 40%).
8. Prevent the Lithium-Ion battery pack from freezing. Battery packs which were stored below 32°F (0°C) for more than 60 minutes must be disposed of.
9. When handling batteries beware of electrostatic charge: Electrostatic discharges cause damage of the electronic protection system and the battery cells. Avoid electrostatic charging and never touch the battery poles.

#### **Additional safety instructions**

- Always walk. Never run.
- Always keep the ventilation opening clean.
- Never direct the blow hole at persons or animals.
- The machine may only be used at reasonable times of the day, i.e. not in the early morning or late evening when it will be a nuisance to other people. The times specified by local authorities must be observed.
- Remove all foreign objects with a rake and brush before starting any blowing work.
- Where conditions are dusty, dampen the surface a little or use a sprinkler attachment.
- Use the full-length blower nozzle extension so that the air current can work near to the ground.
- Watch out for children, pets, open windows etc. and blow the foreign objects safely away from them.
- **Warning:** This machine is not designed for use by children.
- **Warning:** Risk of injury from rotating parts.
- **Warning:** Never use this equipment near open windows.

#### **SAVE THESE INSTRUCTIONS**

## **2. Layout and items supplied**

### **2.1 Layout**

1. On/Off switch
2. Speed control
3. Additional handle
4. Lock knob
5. Shoulder strap
6. Lock knob
7. Rear suction tube
8. Guide lug
9. Recess
10. Tapping screw
11. Front suction tube
- 12.1. Hole 1
- 12.2. Hole 2
- 12.3. Hole 3
13. Castors
14. Collection bag
15. Collection bag connection
16. Mount
17. Release lever
18. Wall bracket
19. Cut-out
20. Selector lever blow/vac
21. Battery mount
22. Battery pack (not supplied)
23. Pushlock button
24. Battery capacity indicator
25. Battery capacity indicator button

### **2.2 Items supplied**

Please check that the article is complete as specified in the scope of delivery. If parts are missing, please contact our service center or the store where you made your purchase at the latest within 5 work days after purchasing the article and upon presentation of a valid bill of purchase.

- Open the packaging and take out the equipment with care.
- Remove the packaging material and any packaging and/or transportation braces (if present).
- Check to see if all the items are supplied.
- Inspect the equipment and accessories for transport damage.
- If possible, keep the packaging until the end of the guarantee period.

**Danger!**

**The equipment and packaging material are not toys. Do not let children play with plastic bags, plastic sheets and small parts. There is a risk of choking and suffocating!**

- 3-in-1 Cordless Leaf Blower/Vacuum/Mulcher
- Original operating instruction with safety information

**Separately available accessories**

18V 1.5Ah PXC Lithium-Ion battery  
 18V 2.0Ah PXC Lithium-Ion battery  
 18V 3.0Ah PXC Lithium-Ion battery  
 18V 4.0Ah PXC Lithium-Ion battery  
 18V 3.0Ah PXC Plus Lithium-Ion battery  
 18V 4.0Ah PXC Plus Lithium-Ion battery  
 18V 5.2Ah PXC Plus Lithium-Ion battery  
 18V 4.0Ah/6.0Ah PXC Plus Lithium-Ion battery  
 18V PXC Dual Port Fast Charger  
 18V PXC Fast Charger

Contact your local retailer for more specific models of batteries and charger available in your area. You can also explore battery + charger options at Einhell.com.

**3. Intended use**

This device is designed to be used for clearing, gathering and picking up dry to slightly damp leaves and grass from paved areas and lawns. Small, light-weight rubbish such as cigarettes, twigs, paper, etc. can be gathered from asphalted garden paths or lawns by blowing into piles.


**Warning:**

When the equipment is used in vacuum mode, the material will be shredded by an integrated shredder before it is deposited in the collection bag. Therefore this device is not allowed to be used for picking up hard and heavy foreign bodies (e.g. glass, screws, stones). Do not use the device on unpaved, dry surfaces such as loose gravel and dry garden beds. Do not pick up large quantities of dust. This device is not allowed to be used for picking up liquids or snow. This device is not allowed to be used indoors. This device is not allowed to be used for distributing or picking up chemicals and poisons such as fertilizers, pesticides, materials containing asbestos or inflammable liquids.

The equipment is allowed to be used only for its prescribed purpose. Any other use is deemed to be a case of misuse. The user/operator and not the manufacturer will be liable for any damage or injuries of any kind resulting from such misuse.

Please note that our equipment has not been designed for use in commercial, trade or industrial applications. Our warranty will be voided if the equipment is used in commercial, trade or industrial businesses or for equivalent purposes.

**4. Technical data**

Motor power supply: ..... 18V   
 No load speed  $n_0$ : ..... 8000-14000 RPM  
 Maximum air speed: ..... 130 mph (210 km/h)  
 Max. suction power: ..... 300 CFM  
 Max. blowing power: ..... 106 CFM  
 Volume of collection bag: ..... 10 Gallon  
 Weight (tool only): ..... 6.6 lbs

**Keep the noise emissions and vibrations to a minimum.**

- Only use appliances which are in perfect working order.
- Service and clean the appliance regularly.
- Adapt your working style to suit the appliance.
- Do not overload the appliance.
- Have the appliance serviced whenever necessary.
- Switch the appliance off when it is not in use.
- Wear protective gloves.
- Wear ear-muffs.

**CAUTION!****Residual risks**

**Even if you use this electric power tool in accordance with the instructions, certain residual risks cannot be eliminated. The following hazards may arise in connection with the equipment's construction and layout:**

1. Lung damage if no suitable protective dust mask is used.
2. Damage to hearing if no suitable ear protection is applied.
3. Health damage caused by hand-arm vibrations if the equipment is used over a longer period or is not properly guided and maintained.
4. Risk of eye damage if suitable safety goggles

are not worn.

This equipment generates an electromagnetic field during operation. Under certain circumstances this field may actively or passively impede medical implants. To reduce the risk of serious or fatal injuries, we recommend persons with medical implants to consult their doctor and the manufacturer of the medical implant prior to using the equipment.

## 5. Before starting the equipment

**The equipment is supplied without batteries and without a charger.**

**Warning!**  
Always remove the batteries before making adjustments to the equipment.

### 5.1 Preparations

#### 5.1.1 Suction tube (Fig. 3 - 6)

Connect the rear suction tube (7) and the front suction tube (11) together. Make sure that the guide lug (8) is inserted into the corresponding recess (9) when you do this. Make sure that it latches in place correctly as well. Screw the two tubes together using the tapping screw (10). Now slide the fully assembled suction tube into the motor housing and secure it with the two lock knobs.

#### Important!

Please note that the two suction tubes must always be joined together before they are mounted on the motor housing, and that they must then never be taken apart again. Integrated safety switches will be pressed and the machine is supplied with voltage only after the fully assembled suction tube has been properly screwed to the motor housing.

#### 5.2 Fitting the wall bracket (Fig. 7 - 8)

Push the wall bracket (18) onto the motor housing as far as the stop. Make sure that the V-shaped cut-out (19) faces the suction tube in order to be able to hang the machine from a screw in the wall. The wall bracket also serves as a support when the machine is placed on the ground.

#### 5.3 Fitting the shoulder strap (Fig. 9)

Pull back the catch of the carabiner (6) and hook it on the motor housing.

#### 5.4 Fitting / removing the collection bag (Fig. 10 - 13)

- Slip the collection bag connection (15) over the mount (16) on the motor housing. Make sure that it latches in place correctly.
- Hook the collection bag on the suction tube in one of the two holes (12.1 / 12.2). The hole (12.3) cannot be used on this model.

To remove the collection bag, unhook it from the suction tube. Press the release levers (17) simultaneously on the left and right and pull off the collection bag.

#### 5.5 Fitting the battery (Fig. 14 - 15)

Press the pushlock button (23) of the rechargeable battery as shown in Fig. 14 and push the battery into the battery mount (21) provided until it latches in place. Fig. 15 shows the rechargeable battery when fitted. To remove the battery pack, proceed in reverse order.

#### 5.6 Charging the Lithium-Ion battery (not included)

The corresponding instructions can be found in the original operating instructions for your charger.

#### 5.7 Battery capacity indicator (Fig. 18)

Press the battery capacity indicator switch (25). The battery capacity indicator (24) shows the charge status of the battery using 3 LEDs.

##### All 3 LEDs lit:

The battery is fully charged.

##### 2 or 1 LED(s) lit:

The battery has an adequate remaining charge.

##### 1 LED flashing:

The battery is empty, recharge the battery.

##### All LEDs flashing:

The temperature of the battery is too low. Remove the battery from the device and leave it at room temperature for a day. If the error occurs again, this means that the battery has been completely depth-discharged and is defective. Remove the battery from the device. Never use or charge a defective battery.

## 6. Operation

### Danger!

Start up the equipment only when fully assembled.

### 6.1 Sizing the shoulder strap (Fig. 16)

Slip the shoulder strap over your shoulder and adjust the length so that you can handle the equipment comfortably.

**Caution: Wear the shoulder strap in such a way that the safety release is always close to hand. In an emergency you can always remove the equipment quickly by opening the recess (9).**

### 6.2 Switching the machine On/Off (Fig. 17)

- To switch on, press the On/Off switch (1).
- To switch off, let go of the On/Off switch.

### 6.3 Speed control

The equipment is fitted with a variable speed trigger. To use it, turn the speed controller (Fig. 17 / Item 2) to the desired position. Use the device only with the speed which is actually required and do not let it run at a speed which is faster than necessary.

MIN = Minimum speed

MAX = Maximum speed

### 6.4 Mode of operation

**Caution!** Search the surface for concealed objects (e.g. small animals or hard foreign bodies) before starting to use the equipment.

### Blowing foliage (Fig. 17)

#### Caution!

If you point the air flow towards other people, animals or objects (e.g. windows), this could cause injuries and damage.

- Point the air flow away from yourself.
- Never point the air flow towards other people, animals or objects.
- Do not blow away any hard objects such as stones or twigs.
- Turn the selector lever (20) into the position "A" shown. You can do this regardless of whether the tool is running or not.
- Channel the air stream forward and walk slowly to blow foliage or garden refuse into a pile or to clear out hard-to-reach places.

### Danger!

Never gather (blow) hot, combustible or explosive materials into piles.

### Sucking up foliage (Fig. 17)

#### Caution!

- Only use the leaf blower vac in vacuum mode if the collection bag is undamaged and properly fitted.
- Do not pick up too many leaves in one go as this could clog the tube and the shredder.
- To clear any blockages, follow the steps described in the section "Clearing blockages".
- Do not pick up hard or damp materials.
- Turn the selector lever (20) to position "B". You can do this regardless of whether the tool is running or not.
- Always position the suction tube on the ground and adjust the length of the shoulder strap to your requirements (see section 6.1). The castors (13) at the bottom end of the suction tube will help you to maneuver the suction tube on the ground.

### 6.5 Emptying the collection bag (Fig. 1)

Empty the collection bag (14) in good time. With a nearly full bag, the suction power drops notably. Organic waste should be composted.

- Switch off the equipment and remove the batteries.
- Open the zipper on the collection bag (14) and shake out the material.
- Close the zipper on the collection bag (14) again.

### 6.6 Clearing blockages

#### Danger!

- Switch off the equipment, wait for the moving parts to come to a standstill and remove the battery.
  - Wear protective gloves
  - Use suitable tools (e.g. a wooden stick)
1. Examine the tube for blockages. Tap the suction tube carefully or use a wooden stick to clear any blockages.
  2. Empty the collection bag and remove it. Dismantle the suction tube (remove the lock knobs, see Fig. 6 / Item 4).
  3. Examine the openings in the motor housing for possible blockages. Remove the blockage with a stick if necessary. Make sure that the shredder is clear.

## 7. Cleaning and maintenance

### HAZARD!

Always take the battery out of the equipment before starting any cleaning work.

### 7.1 Cleaning

- Keep all safety devices, air vents and the motor housing free of dirt and dust as far as possible. Wipe the equipment with a clean cloth or blow it down with compressed air at low pressure.
- We recommend cleaning the equipment immediately each time after use.
- Clean the equipment regularly with a damp cloth and some soft soap. Do not use cleaning agents or solvents; these may be aggressive to the plastic parts in the equipment. Ensure that no water can get into the interior of the equipment. The ingress of water into an electric power tool increases the risk of an electric shock.
- After shaking out the collection bag, turn it inside out and thoroughly clean it in order to prevent mold and unpleasant odors from forming.
- You can use soap and water to clean out a heavily soiled collection bag.
- Rub a bar of dry soap across the zipper teeth if the zipper becomes difficult to pull.
- Clean the vacuum/blower tube with a brush upon evidence of dirt and grime.
- You can gain access to the shredder as described in section 6.6 "Clearing blockages". Never use cleaning agents or liquids for cleaning purposes. Remove deposits with a brush, a dry cloth or compressed air.  
**Important:** If the cover is not correctly closed, a microswitch will interrupt the power supply and the equipment will not be able to operate properly.
- When carrying out maintenance on the shredder, remember that although the power source is switched off due to the locking function of the safety device, the shredder can still be moved.
- Replace any worn or damaged parts for safety reasons. Use only original spare parts and accessories.
- Dirt from the vacuumed material can make it more difficult to move the selector lever (blower/vacuum). To restore smooth operation of the selector lever, simply flip the lever back and forth several times from vacuum to

blower.

### 7.2 Maintenance

- Should the equipment experience problems beyond those mentioned above, let only an authorized professional or a service center perform an inspection.
- There are no other parts inside the equipment which require maintenance.

## 8. Faults

**The equipment does not work:  
Important!**

**All connections must be tightly secured.**

Check that the batteries are charged and whether the charging unit is working. If the equipment will not work in spite of the voltage supply being OK, please go to your nearest service center.

## 9. Disposal and recycling

The equipment is supplied in packaging to prevent it from being damaged in transit. The raw materials in this packaging can be reused or recycled. The equipment and its accessories are made of various types of material, such as metal and plastic. Never place defective equipment in your household refuse. The equipment should be taken to a suitable collection center for proper disposal. If you do not know the whereabouts of such a collection point, you should ask in your local council offices.

## 10. Storage

Store the equipment and its accessories out of children's reach in a dark and dry place at above freezing temperature. The ideal storage temperature is between 41°F and 86°F (5°C and 30°C). Keep the electric tool in its original packaging.

The reprinting or reproduction by any other means, in whole or in part, of documentation and papers accompanying the products is strictly subject to the express consent of Einhell Germany AG.

Subject to technical changes.



**Danger!** - Lire le mode d'emploi pour diminuer le risque de blessures.



Avant la mise en service, lisez le mode d'emploi.



Éloignez les personnes tierces de la zone de danger.



N'utilisez pas l'appareil par temps de pluie ou de neige. Protégez l'appareil de l'humidité.



Portez des protections pour les yeux et l'ouïe.



Pièces en rotation ! Éloignez les mains et les pieds des ouvertures.



Conservez les batteries uniquement dans des locaux secs et à une température ambiante de 50-104 °F (+10-+40 °C). Conservez les batteries uniquement en état chargé (au moins 40 % de charge).

**Danger !**

Certaines mesures de sécurité doivent être respectées pendant l'utilisation des appareils pour empêcher les blessures et les dommages. Par conséquent, lisez attentivement le présent mode d'emploi / les consignes de sécurité. Conservez-les bien pour avoir les informations toujours à la portée de la main. Si vous devez passer l'appareil à d'autres personnes, veuillez leur remettre également le présent mode d'emploi / les consignes de sécurité. Nous ne sommes pas tenus des accidents ou dommages survenus à cause de non-respect du présent mode d'emploi et des consignes de sécurité.

Usage domestique seulement.

**1. Consignes de sécurité****CONSIGNES DE SÉCURITÉ IMPORTANTES****Lisez toutes les instructions**

**AVERTISSEMENT :** Pendant l'utilisation des appareils électriques de jardinage, respectez toujours les mesures de sécurité pour réduire le risque d'incendie, de choc électrique et de blessures, y compris ce qui suit :

**AVERTISSEMENT –** Pour réduire le risque d'incendie, d'électrocution ou de blessure:

- 1) Ne pas utiliser à l'extérieur ou sur des surfaces humides.
- 2) Ne pas utiliser comme jouet. Une attention particulière est nécessaire lorsqu'il est utilisé par ou à proximité des enfants.
- 3) Utilisez uniquement comme décrit dans ce manuel. Utilisez uniquement les accessoires recommandés par le fabricant.
- 4) Ne pas utiliser avec un cordon ou une prise endommagés. Si l'appareil ne fonctionne pas comme il le devrait, a été échappé, endommagé, laissé à l'extérieur ou tombé dans l'eau, retournez-le à un centre de service.
- 5) Ne tirez pas ou ne transportez pas par le cordon, utilisez le cordon comme poignée, fermez une porte sur le cordon ou tirez le cordon autour des bords ou des coins tranchants. Ne faites pas passer l'appareil sur le cordon. Garder le cordon éloigné des surfaces chauffées.
- 6) Ne manipulez pas la fiche ou l'appareil avec les mains mouillées.
- 7) Ne placez aucun objet dans les ouvertures.

Ne pas utiliser avec une ouverture bloquée ; tenir à l'écart de la poussière, des peluches, des cheveux et de tout ce qui pourrait réduire le débit d'air. Gardez les cheveux, les vêtements amples, les doigts et toutes les parties du corps éloignés des ouvertures et des pièces mobiles.

- 8) Éteignez toutes les commandes avant de débrancher.
- 9) Faites très attention lorsque vous nettoyez dans les escaliers.
- 10) Ne pas utiliser pour aspirer des liquides inflammables ou combustibles, tels que l'essence, ou utiliser dans des zones où ils peuvent être présents.

**Pour un aspirateur :**

- 1) "Ne ramassez rien qui brûle ou fume, comme des cigarettes, des allumettes ou des cendres chaudes."
- 2) "Ne pas utiliser sans sac de poussière et/ou filtres."

N'utilisez jamais la machine lorsque des personnes, en particulier des enfants, ou des animaux domestiques sont à proximité.

**POUR TOUS LES APPAREILS**

- Empêchez le démarrage involontaire. Assurez-vous que l'interrupteur est en position d'arrêt avant de brancher la batterie, de ramasser ou de transporter l'appareil. Le transport de l'appareil avec votre doigt sur l'interrupteur ou la mise sous tension de l'appareil dont l'interrupteur est activé peut provoquer des accidents.
- Assurez-vous que l'interrupteur est éteint et que la batterie est retirée avant de retirer le matériel coincé, d'effectuer des réglages, de changer d'accessoires, de ranger ou d'entretenir l'appareil. L'actionnement inattendu de l'appareil lors du dégagement d'un matériau coincé ou lors de l'entretien peut entraîner des blessures graves.
- Évitez les environnements dangereux – n'utilisez pas les appareils dans des endroits humides ou mouillés.
- Ne les utilisez pas sous la pluie.
- Éloignez les enfants, toutes les personnes et les animaux doivent être tenus à distance de la zone de travail.
- Habillez-vous correctement – ne portez pas de vêtements lâches ou des bijoux. Ils peuvent être happés par les pièces mobiles. Pour les travaux à l'extérieur, il est



recommandé de porter des vêtements de protection, d'utiliser des gants de travail, de porter des pantalons longs, une chemise à manches longues et des chaussures de sécurité. Portez un couvre-chef pour recouvrir des cheveux longs.

- Utilisez des lunettes de sécurité – utilisez toujours un masque facial ou anti-poussière si l'endroit où vous travaillez est poussiéreux. Le but des règles de sécurité consiste à attirer votre attention sur les dangers potentiels. Les symboles de sécurité et leurs explications exigent votre attention et votre compréhension. Les avertissements de sécurité ne suppriment pas le risque à eux seuls. Les instructions ou avertissements qu'ils donnent ne remplacent pas les mesures adéquates de prévention d'accidents.
  - Utilisez l'appareil approprié – n'utilisez pas l'appareil dans un autre but que celui pour lequel il a été conçu.
  - Ne forcez pas l'appareil – il fonctionnera mieux et avec une moindre probabilité d'un risque ou d'une blessure à la vitesse pour laquelle il a été conçu.
  - Ne vous penchez pas trop – gardez une bonne position et l'équilibre à tout instant.
  - Restez vigilant. Utilisez du bon sens. N'utilisez pas l'appareil si vous êtes fatigué ou si vous vous trouvez sous l'emprise de drogues, d'alcool ou de médicaments.
  - Si vous n'utilisez pas l'appareil, rangez-le dans un local sec inaccessible aux enfants.
  - Entretenez l'appareil avec soin. Suivez les instructions de lubrification et de remplacement des accessoires. Gardez les poignées sèches, propres et exemptes d'huile et de graisse.
  - Vérifiez les pièces endommagées. Avant d'utiliser l'appareil, assurez-vous que les dispositifs de sécurité sont intacts. N'utilisez jamais un outil sans son dispositif de sécurité. Vérifiez l'alignement de pièces mobiles, le coincement de pièces mobiles.
  - Examinez les pièces cassées ou défectueuses qui peuvent affecter le fonctionnement en toute sécurité de votre outil. Une protection ou une autre pièce endommagée doit être correctement réparée ou remplacée par un centre de service autorisé, sauf indication contraire dans le présent mode d'emploi.
  - Rechargez uniquement avec un chargeur spécifié par le fabricant. Un chargeur qui convient pour un type de batterie peut créer un risque d'incendie s'il est utilisé avec un autre bloc de batterie.
  - Utilisez les appareils uniquement avec des batteries spécifiquement désignées. L'utilisation de tout autre batterie peut créer un risque de blessure et d'incendie.
  - Lorsque la batterie n'est pas utilisée, conservez-la à l'écart d'autres objets métalliques, comme les trombones, les pièces de monnaie, les clés, les clous, les vis ou autres petits objets métalliques qui pourraient créer une connexion entre les bornes. La mise en court-circuit des bornes de batteries peut causer des brûlures ou un incendie.
  - Dans des conditions abusives, un liquide peut sortir de la batterie, évitez le contact. En cas de contact accidentel, rincez avec de l'eau. En cas de contact du liquide avec les yeux, consultez un médecin. Le liquide sorti de la batterie peut causer des irritations ou des brûlures. (Ce conseil est considéré comme juste pour les types de piles conventionnels de NiMh, NiCd, plomb-acide et Lithium-ion. Si ce conseil est inapproprié pour une conception de cellule différentes de celle-ci, le conseil judicieux peut être appliqué.
  - N'utilisez pas une batterie ou un appareil endommagés ou modifiés. Les batteries endommagées ou modifiées peuvent agir de manière imprévisible et donner lieu à un incendie, une explosion ou un risque de blessure.
  - N'exposez pas les batteries ou l'appareil au feu ou à des températures excessives. L'exposition au feu ou à une température supérieure à 130 °C (266 °F) peut provoquer une explosion.
  - Suivre toutes les instructions de charge et ne pas charger la batterie ou l'appareil en dehors de la gamme de température spécifiée dans les instructions. Un mauvais chargement ou un chargement à des températures en dehors de la gamme spécifiée peut endommager la batterie et augmenter les risques d'incendie.
  - Confiez le service à un réparateur qualifié qui utilise uniquement les pièces de rechange identiques. Cela permettra de maintenir la sécurité du produit.
  - Ne modifiez pas et n'essayez pas de réparer l'appareil ou la batterie (si applicable), sauf exception indiquée dans les instructions d'utilisation et d'entretien.
- 1.) POUR TOUS LES APPAREILS SANS FIL**
- Ne chargez pas l'appareil sous la pluie ou dans des locaux humides.

- N'utilisez pas les appareils à batterie sous la pluie. Retirez toujours la batterie avant l'ajustement, le nettoyage, le service ou le transport l'appareil de jardin.

## 2.) POUR TOUS LES PRODUITS SANS FIL AVEC UNE BATTERIE AMOVIBLE OU SÉPARABLE :

- Utilisez uniquement la batterie de type et de taille suivants :
  - 18V 1,5Ah PXC batterie Li-ion
  - 18V 2,0Ah PXC batterie Li-ion
  - 18V 3,0Ah PXC batterie Li-ion
  - 18V 4,0Ah PXC batterie Li-ion
  - 18V 3,0Ah PXC Plus batterie Li-ion
  - 18V 4,0Ah PXC Plus batterie Li-ion
  - 18V 5,2Ah PXC Plus batterie Li-ion
  - 18V 4,0Ah/6,0Ah PXC Plus batterie Li-ion
- Ne jetez pas la batterie dans le feu. La cellule peut exploser. Consultez les règlements locaux pour connaître les instructions d'élimination spécifiques possibles.
- N'ouvrez ni n'abîmez la batterie. L'électrolyte libéré est corrosif et peut être dangereux pour les yeux ou la peau. Il peut être toxique s'il est avalé.
- Manipulez la batterie avec précaution afin de ne pas la court-circuiter avec des matériaux conducteurs, tels que les bagues, les bracelets et les clés. La batterie ou le conducteur peuvent surchauffer et causer des brûlures.

## 3.) ÉVITEZ UN DÉMARRAGE INTEMPESTIF – N'INSÉREZ PAS LA BATTERIE ALORS QUE VOTRE DOIGT EST SUR L'INTER-RUPTEUR. ASSUREZ-VOUS QUE L'INTER-RUPTEUR EST SUR L'ARRÊT EN INSÉRANT LA BATTERIE.

### AVERTISSEMENTS DE SÉCURITÉ GÉNÉRAUX POUR LA BATTERIE

- Éliminez la batterie usée vite et promptement. Lors de l'élimination des piles secondaires ou des batteries, gardez les piles ou les batteries de différents systèmes électrochimiques séparément les unes des autres.
- Gardez la batterie hors de portée des enfants dans l'emballage d'origine jusqu'à son utilisation.
- Ne mettez jamais les batteries dans la bouche. Si elles sont avalées, contactez immédiatement le centre antipoison local.
- PRUDENCE – La batterie utilisée dans cet appareil peut présenter un risque d'incendie ou de brûlure chimique en cas de mauvaise

manipulation. Remplacez uniquement la batterie de marque principale Einhell / gazon. L'utilisation d'une autre batterie peut présenter un risque d'incendie ou d'explosion.

- AVERTISSEMENT : N'utilisez pas une batterie ou un appareil visiblement endommagé.
- AVERTISSEMENT : Ne modifiez ni n'essayez de réparer l'appareil ou la batterie.
- **LES BATTERIES DOIVENT ÊTRE RECYCLÉES.**
- Ne court-circuitez une cellule ou une batterie. Ne conservez pas les piles ou les batteries au hasard dans une boîte ou un tiroir ou elles peuvent court-circuiter entre elles ou être court-circuitées par les matériaux conducteurs.
- N'exposez pas les piles ou les batteries aux chocs mécaniques.
- Gardez les piles et les batteries dans un endroit propre et sec. Essuyez les bornes des piles ou des batteries avec un linge propre et sec si elles deviennent sales.
- Ne gardez pas les piles et les batteries chargées si vous ne les utilisez pas.
- Conservez la pile et la batterie d'origine. N'utilisez pas d'autres chargeurs que ceux qui sont spécifiquement fournis pour être utilisés avec l'équipement. Les piles et les batteries secondaires doivent être cherchées avant l'utilisation. Utilisez toujours le chargeur correct et référez-vous aux instructions du fabricant ou au mode d'emploi de l'équipement pour consulter les instructions de chargement correctes.
- Si possible, retirez la batterie de l'équipement lorsque vous ne l'utilisez pas.
- Empêchez tout démarrage non intentionnel. Assurez-vous que le bouton Marche/Arrêt est en position arrêt (OFF) avant de brancher la batterie, de prendre et de transporter l'outil. Le transport de l'appareil avec le doigt sur le bouton Marche/Arrêt ou la mise sous tension des appareils électriques dont le bouton Marche/Arrêt est en position marche (ON) peuvent causer des accidents.
- Débranchez la batterie de l'appareil avant de procéder aux ajustements, de remplacer les accessoires ou de ranger l'appareil. De telles mesures préventives réduisent le risque de démarrage accidentel de l'appareil.
- Dans des conditions abusives, un liquide peut sortir de la batterie, évitez le contact. En cas de contact accidentel, rincez avec de l'eau. En cas de contact du liquide avec les yeux, consultez un médecin. Le liquide sorti

de la batterie peut causer des irritations ou des brûlures.

- Confiez le service à un réparateur qualifié qui utilise uniquement les pièces de rechange identiques. Cela permettra de maintenir la sécurité du produit.
- **Protégez votre batterie de l'humidité, de la pluie et de l'humidité de l'air élevée.** L'humidité, la pluie et l'humidité de l'air élevée peuvent endommager dangereusement les cellules. En aucun cas, ne chargez ni ne travaillez avec la batterie qui a été exposée à l'humidité, à la pluie ou à l'humidité de l'air élevée – remplacez-les immédiatement !
- Si votre appareil est équipé d'une batterie amovible, retirez-la de votre appareil à la fin de votre travail pour des raisons de sécurité.

#### CONSIGNES DE SÉCURITÉ IMPORTANTES POUR LE CHARGEUR

**AVERTISSEMENT :** Ce produit peut contenir du plomb, du phtalate ou autres produits chimiques reconnus par l'État de Californie comme cause de cancer, d'anomalies congénitales et de lésions de l'appareil reproducteur. Veuillez laver vos mains après l'utilisation.

#### Protection contre l'impact environnemental

1. Portez des vêtements de travail appropriés. Porter des lunettes de protection.
2. **Protégez votre appareil sans fil et le chargeur contre l'humidité et la pluie.** L'humidité et la pluie peuvent entraîner des dommages dangereux des cellules.
3. Ne pas utiliser l'appareil sans fil et le chargeur dans un espace contenant des vapeurs et des liquides combustibles.
4. Utilisez le chargeur et les appareils sans fil uniquement en état sec et à une température ambiante de 50-104 °F (10-40 °C).
5. Ne conservez pas la batterie dans des endroits où la température peut être supérieure à 104 °F (40 °C), en particulier dans un véhicule garé au soleil.
6. **Protégez les batteries contre la surchauffe !** Une surcharge, un chargement excessif ou le rayonnement solaire entraînent la surchauffe et détériorent les cellules. Ne chargez ni travaillez en aucun cas avec les batteries qui ont été surchauffées, remplacez-les sans tarder.
7. **Conservation des batteries, des chargeurs et de l'appareil sans fil.** Conservez le chargeur et votre appareil sans fil uniquement dans des locaux secs à une tempé-

rature ambiante de 50-104 °F (10-40 °C).

Conservez la batterie Lithium-Ion au frais et au sec à 50-68 °F (10-20 °C). Protégez contre l'humidité de l'air et le rayonnement solaire direct ! Conservez les batteries uniquement en état chargé (au moins 40 % de charge).

8. Empêchez que la batterie Lithium-Ion gèle. Les batteries qui ont été conservées plus de 60 minutes au-dessous de 32 °F (0 °C) doivent être éliminées.
9. Attention lors de la manipulation des batteries en rapport avec la charge électrostatique : les décharges électrostatiques endommagent la protection électronique et les cellules de la batterie ! Par conséquent, évitez les décharges électrostatiques et ne touchez jamais les pôles de la batterie !

#### Consignes de sécurité supplémentaires

- Toujours marcher, ne jamais courir.
- Gardez toujours les orifices d'aération propres.
- Ne jamais diriger l'orifice de soufflage sur des personnes ou des animaux.
- La machine doit être exclusivement utilisée à des heures raisonnables, pas tôt le matin ou tard le soir, lorsque cela peut déranger d'autres personnes. Les horaires indiqués dans les administrations locales doivent être respectés.
- Avant le début du soufflage, il faut enlever les corps étrangers à l'aide d'un râteau et d'un balai.
- S'il y a de la poussière, il faut légèrement humidifier la surface ou, utiliser un dispositif additionnel d'arrosage s'il y en a un.
- Il faut utiliser l'ensemble de l'embout de la buse de soufflage, afin que le courant d'air puisse balayer proche du sol.
- Faites attention aux enfants, aux animaux domestiques, aux fenêtres ouvertes et éloignez en soufflant les corps étrangers de manière sûre.
- **Avertissement :** La machine ne convient pas pour être utilisée par des enfants.
- **Avertissement :** Risque de blessure par des pièces en rotation !
- **Avertissement :** Ne travaillez pas à proximité de fenêtres ouvertes avec cet appareil.

#### CONSERVEZ CES INSTRUCTIONS

## 2. Description de l'appareil et contenu de l'emballage

### 2.1 Description de l'appareil

1. Interrupteur marche/arrêt
2. Régulateur de vitesse de rotation avec écran
3. Poignée supplémentaire
4. Bouton de verrouillage
5. Bandoulière
6. Mousqueton
7. Tube d'aspiration supérieur
8. Guidage
9. Encoche
10. Vis de coupe
11. Tube d'aspiration inférieur
- 12.1 Trou 1
- 12.2 Trou 2
- 12.3 Trou 3
13. Roulettes
14. Sac de collection
15. Raccord de sac de collection
16. Monture
17. Levier de déverrouillage
18. Support mural
19. Découpe
20. Levier de commutation souffler/aspirer
21. Logement de la batterie
22. Batterie (non fourni)
23. Touche d'enclenchement
24. Témoin de charge de la batterie
25. Bouton de témoin de charge de la batterie

### 2.2 Contenu d'emballage

Veillez contrôler l'intégralité de l'article au moyen du contenu d'emballage décrit. En cas de pièces manquantes, veuillez contacter notre centre de service à la clientèle ou le point de vente où vous avez acheté l'appareil au plus tard dans les 5 jours ouvrables à compter de l'achat de l'article en présentant un ticket de caisse valable.

- Ouvrez l'emballage et retirez prudemment l'appareil.
- Enlevez le matériau d'emballage ainsi que les sécurités d'emballage et de transport (le cas échéant).
- Vérifiez l'intégralité du contenu d'emballage.
- Vérifiez si l'appareil et les accessoires présentent des dommages dus au transport.
- Si possible, conservez l'emballage jusqu'à l'expiration de la durée de garantie.

### Danger !

**L'appareil et le matériau d'emballage ne sont pas un jouet ! Les enfants ne doivent pas jouer avec des sachets en plastique, des films ou de petites pièces ! Il existe le risque d'ingestion et de suffocation !**

- Souffleuse/Aspirateur/Broyeuse de Feuilles 3 en 1 sans fil
- Mode d'emploi d'origine avec consignes de sécurité

### Accessoires disponibles séparément

18V 1,5Ah PXC batterie Lithium-Ion  
 18V 2,0Ah PXC batterie Lithium-Ion  
 18V 3,0Ah PXC batterie Lithium-Ion  
 18V 4,0Ah PXC batterie Lithium-Ion  
 18V 3,0Ah PXC Plus batterie Lithium-Ion  
 18V 4,0Ah PXC Plus batterie Lithium-Ion  
 18V 5,2Ah PXC Plus batterie Lithium-Ion  
 18V 4,0Ah/6,0Ah PXC Plus batterie Lithium-Ion  
 18V PXC chargeur rapide à double raccord  
 18V PXC chargeur rapide

Contactez votre détaillant pour les modèles plus spécifiques de batteries et de chargeurs disponibles dans votre région. Vous pouvez également explorer les options de batterie + chargeur sur [Einhell.com](http://Einhell.com).

## 3. Utilisation conforme

Cet appareil est destiné à souffler, amasser et aspirer de l'herbe et des feuilles sèches à légèrement humides dans des zones pavées et pelouses. Des petits débris légers, par exemple mégots, petites branches, papier peuvent être regroupés et amassés par exemple sur des chemins de jardin asphaltés et des pelouses.

### Avertissement :


Lors de l'aspiration, le matériau est en même temps broyé par un broyeur intégré et amené dans le sac de collection. C'est la raison pour laquelle cet appareil ne doit pas être utilisé pour aspirer des corps solides durs et lourds (par exemple verre, vis, pierres). N'utilisez pas l'appareil sur des surfaces non pavées et sèches telles que du gravier et des lits de jardin secs. N'aspirez pas de grandes quantités de poussière. Cet appareil ne doit pas être utilisé pour aspirer des liquides ou de la neige. Cet appareil ne doit pas être utilisé à l'intérieur. En outre, il ne doit

pas être utilisé pour répartir ou aspirer des produits chimiques et poisons, par exemple engrais, pesticides, matériaux contenant de l'amiante ou liquides inflammables.

La machine ne doit être utilisée que conformément à sa destination. Toute autre utilisation dépassant ce cadre n'est pas conforme. C'est l'utilisateur / l'opérateur qui est responsable de tous les dommages ou blessures de toute nature en résultant et non pas le fabricant.

Veillez noter que nos appareils n'ont pas été conçus pour une utilisation commerciale, artisanale ou industrielle. Nous n'accordons aucune garantie si l'appareil est utilisé dans des entreprises commerciales, artisanales ou industrielles ou pour des activités équivalentes.

#### 4. Caractéristiques techniques

Alimentation en tension moteur:..... 18V   
 Vitesse sans charge  $n_0$ : ..... 8000-14000 tr/min  
 Vitesse de l'air max.: .....210 km/h (130 mph)  
 Puissance  
 d'aspiration max.:..... 8,5 m<sup>3</sup>/min (300 PCM)  
 Puissance de  
 soufflage max.:..... 3 m<sup>3</sup>/min (106 PCM)  
 Volume du sac de collection:.....env. 38 l (10 gal.)  
 Poids (outil seulement):.....3 kg (6,6 lb)

##### Limitez le niveau sonore et les vibrations à un minimum !

- Utilisez exclusivement des appareils en excellent état.
- Entretenez et nettoyez l'appareil régulièrement.
- Adaptez votre façon de travailler à l'appareil.
- Ne surchargez pas l'appareil.
- Faites contrôler l'appareil le cas échéant.
- Mettez l'appareil hors circuit lorsque vous ne l'utilisez pas.
- Portez des gants.
- Portez une protection acoustique.

##### Attention !

##### Risques résiduels

**Il existe toujours des risques même si vous vous servez correctement de cet outil électrique. Les risques suivants peuvent se produire en rapport avec la structure et la réalisation de cet outil électrique :**

1. Lésions pulmonaires, si vous ne portez pas de masque anti-poussières approprié.
2. Lésions auditives, si vous ne portez pas de protection auditive appropriée.
3. Dommages pour la santé résultant des vibrations mains-bras, si votre appareil est utilisé d'une manière prolongée ou tenu et entretenu de manière incorrecte.
4. Risque de lésions aux yeux en l'absence de lunettes de protection.

Cet appareil produit un champ électromagnétique pendant son fonctionnement. Dans certaines conditions, ce champ peut altérer le fonctionnement d'implants médicaux actifs ou passifs. Afin de réduire les risques de blessures graves ou mortelles, nous recommandons aux personnes qui possèdent un implant médical de consulter leur médecin et leur fabricant d'implants médicaux avant d'utiliser la machine.

#### 5. Avant la mise en service

**L'appareil est fourni sans batteries et sans chargeur !**

##### Avertissement !

**Retirez toujours les batteries avant d'effectuer des réglages sur l'appareil.**

##### 5.1 Préparatifs

##### Tube d'aspiration (fig. 3 - 6)

Emboîtez le tube d'aspiration supérieur (7) et le tube d'aspiration inférieur (11). Assurez-vous que la patte de guidage (8) soit guidée dans l'encoche correspondante (9). Assurez-vous également qu'il s'enclenche correctement.

Vissez également les deux tubes ensemble en utilisant la vis autotaraudeuse (10). Poussez le tube d'aspiration entièrement monté dans le carter du moteur et fixez-le avec les deux boutons verrouillage (7).

##### Attention !

Veillez noter qu'avant de les fixer sur l'appareil, les deux tubes d'aspiration doivent toujours être tout d'abord raccordés l'un à l'autre et qu'ils ne doivent ensuite plus être désassemblés. Les interrupteurs de sécurité intégrés ne sont enfoncés et l'appareil n'est alimenté en tension que lorsque le tube d'aspiration entièrement monté est vissé sur le carter du moteur.

### 5.2 Montage du support mural (fig. 7 - 8)

Poussez le support mural (18) jusqu'à la butée sur le carter du moteur. Veillez à ce que la découpe en forme de V (19) soit dirigée vers le tube d'aspiration pour que l'appareil puisse être accroché à une vis sur le mur. Le support mural sert aussi d'appui lors du dépôt de l'appareil sur le sol.

### 5.3 Montage de la bandoulière (fig. 9)

Tirez le mousqueton (9) en arrière et accrochez-le sur le carter du moteur.

### 5.4 Montage / Retrait du sac de collection (fig. 10 - 13)

- Mettez le raccord de sac de collection (15) sur la monture (16) au niveau du carter du moteur. Veillez à ce qu'il s'enclenche correctement.
- Accrochez le sac de collection sur le tube d'aspiration dans un des deux trous (12.1 / 12.2). Le trou (12.3) ne peut pas être utilisé sur ce modèle.

Pour retirer le sac de collection, décrochez-le du tube d'aspiration. Appuyez en même temps les leviers de déverrouillage (17) et retirez le sac de collection.

### 5.5 Montage des batteries (fig. 14 - 15)

Appuyez sur la touche d'enclenchement (23) de la batterie comme indiqué à la figure 14 et insérez la batterie dans le logement de la batterie (21) prévu à cet effet jusqu'à ce qu'elle s'enclenche. La figure 15 montre les batteries montées. Le démontage d'une batterie s'effectue dans l'ordre inverse !

### 5.6 Chargement de la batterie au Lithium-Ion (non inclus)

Vous trouverez les instructions correspondantes dans le mode d'emploi d'origine de votre chargeur.

### 5.7 Affichage de la capacité de la batterie (image 18)

Appuyez sur l'interrupteur de l'affichage de la capacité de la batterie (25). L'affichage de la capacité de la batterie (24) signale l'état de charge de la batterie au moyen de 3 DEL.

#### Les 3 DEL s'allument:

La batterie est complètement chargée.

#### 2 ou 1 DEL s'allument:

La batterie a une charge résiduelle suffisante.

### 1 DEL clignote:

La batterie est déchargée, chargez la batterie.

### Tous les voyants clignent :

La température de la batterie est trop basse. Retirez la batterie de l'appareil, laissez-la à température ambiante pendant une journée. Si le défaut se reproduit, cela signifie que la batterie rechargeable a subi une décharge complète et est défectueuse. Retirez la batterie de l'équipement. N'utilisez ou ne chargez jamais une batterie défectueuse.

## 6. Fonctionnement

### Danger !

Ne mettez l'appareil en service que lorsque vous avez entièrement terminé le montage.

### 6.1 Détermination de la longueur de la bandoulière (fig. 16)

Mettez la bandoulière sur votre épaule et réglez la longueur de manière à pouvoir guider l'appareil confortablement.

**Attention : Portez la bandoulière de sorte que la déverrouillage de sécurité soit toujours à portée de main. En cas d'urgence, l'appareil peut être retiré rapidement en ouvrant la déverrouillage de encoche (9).**

### 6.2 Mise en marche/arrêt de l'appareil (fig. 17)

- Appuyez sur l'interrupteur marche/arrêt pour la mise en marche (1).
- Relâchez l'interrupteur marche/arrêt pour la mise à l'arrêt.

### 6.3 Réglage de la vitesse de rotation

L'appareil est équipé d'un variateur électronique. Pour ce faire, tournez le régulateur de vitesse de rotation (fig. 12 / pos. 2) dans la position souhaitée. N'exploitez l'appareil qu'avec la vitesse de rotation nécessaire et ne le faites pas tourner à une vitesse inutilement élevée.

MIN = Vitesse de rotation la plus faible

MAX = Vitesse de rotation maximale

### 6.4 Mode de fonctionnement

**Attention !** Avant d'utiliser l'appareil, vérifiez qu'il n'y a pas d'objets cachés (par exemple petits animaux et corps étrangers solides) sur la surface.

### Soufflage de feuilles (fig. 17)

#### Attention !

Si vous dirigez le jet d'air vers d'autres personnes, animaux ou objets (par ex. fenêtre), cela peut entraîner des blessures et dommages.

- Dirigez le courant d'air en l'éloignant de vous.
- Ne dirigez jamais le jet d'air vers d'autres personnes, animaux ou objets.
- Ne soufflez aucun objet dur (p. ex. pierres ou branches).
- Tournez le levier de commutation (20) dans la position "A" souhaitée. Ceci est possible tant à l'arrêt que pendant le fonctionnement de l'appareil.
- Dirigez le jet d'air vers l'avant et déplacez-vous lentement pour regrouper les feuilles et déchets de jardin par soufflage ou les retirez des endroits difficiles d'accès.

#### Danger !

N'accumulez (ne soufflez) jamais des matériaux chauds, inflammables ou explosifs.

### Aspiration de feuilles (fig. 17)

#### Attention !

- Utilisez la souffleuse/aspirateur en mode aspiration uniquement lorsque le sac de collection est monté correctement et n'est pas endommagé.
- N'aspirez pas trop de feuilles à la fois, cela peut conduire à une obstruction du tube et de l'outil de broyage.
- Éliminez les bourrages comme décrit au chapitre « Élimination des bourrages ».
- N'aspirez aucun matériau dur ni humide.
- Tournez le levier de commutation (20) dans la position « B ». Ceci est possible tant à l'arrêt que pendant le fonctionnement de l'appareil.
- Dirigez le tube d'aspiration vers le sol et réglez la longueur de la bandoulière selon vos besoins (voir chapitre 6.1). En outre, les roulettes (13) sur l'extrémité du tube d'aspiration inférieur servent à mieux guider le tube d'aspiration au sol.

### 6.5 Vidage du sac de collection (fig. 1)

Videz le sac de collection (14) à temps. Un taux de remplissage élevé diminue nettement la puissance d'aspiration. Amenez les déchets organiques au compostage.

- Éteignez l'appareil et retirez les batteries.
- Ouvrez la fermeture éclair du sac de collection (14) et déversez le matériau aspiré.
- Refermez la fermeture éclair du sac de collection (14).

### 6.6 Élimination des blocages

#### Danger !

- Éteignez l'appareil, attendez l'arrêt complet des pièces mobiles et retirez la batterie.
- Portez des gants de protection.
- Utilisez des outils adaptés (par exemple bâton en bois).

1. Vérifiez que le tube n'est pas obstrué. Tapez précautionneusement sur les tubes d'aspiration ou utilisez un bâton en bois pour supprimer les blocages.
2. Videz le sac de collection et retirez-le. Démontez le tube d'aspiration (retirez le bouton de verrouillage fig. 4b/pos. 4).
3. Vérifiez si les orifices du carter du moteur sont obstrués. Éliminez le blocage le cas échéant avec un bâton en bois. Veillez à ce que l'outil de broyage soit dégagé.

## 7. Nettoyage et entretien

#### Danger !

Avant tout travail de nettoyage, retirez la batterie de l'appareil.

### 7.1 Nettoyage

- Maintenez les dispositifs de protection, les fentes d'aération et les carters de moteur aussi exempt de poussières et de saletés que possible. Frottez l'appareil avec un linge propre et nettoyez-le à l'air comprimé à basse pression.
- Nous recommandons de nettoyer l'appareil directement après chaque utilisation.
- Nettoyez l'appareil régulièrement avec un linge humide et un peu de savon doux. N'utilisez pas de détergeant ni de solvants ; ils peuvent détériorer les éléments en plastique de l'appareil. Veillez à ce que l'eau ne puisse pas pénétrer à l'intérieur de l'appareil. La pénétration de l'eau dans un appareil électrique augmente le risque d'une électrocution.
- À la fin du travail, retirez le sac collecteur, retournez-le et nettoyez-le à fond pour éviter la formation de moisissure et d'odeurs désagréables.
- Un sac collecteur très encrassé peut être lavé avec de l'eau et du sac.
- Lorsque la fermeture éclair fait de la résistance, enduisez les dents de la fermeture avec un savon sec.
- Nettoyez le tube d'aspiration/de soufflage en

- cas d'encrassement à l'aide d'une brosse.
- L'outil de broyage est accessible comme décrit dans « 6.6 Élimination des bourrages ». N'utilisez aucun produit nettoyant ni liquide pour le nettoyage. Retirez les dépôts à l'aide d'une brosse, d'un chiffon sec ou d'air comprimé.  
**Attention** : L'appareil ne peut pas fonctionner lorsque le couvercle n'est pas refermé correctement, un microrupteur interrompt l'alimentation en courant.
- Lors de l'entretien de l'outil de broyage soyez conscient du fait que bien que la source d'énergie soit arrêtée en raison de la fonction de verrouillage du dispositif de protection, l'outil de broyage peut toujours être mis en mouvement.
- Remplacez les pièces usées ou endommagées pour des raisons de sécurité. Utilisez uniquement des pièces de rechange et accessoires d'origine.
- La saleté engendrée par les éléments aspirés peut gripper le levier de commutation (soufflage/aspiration). Pour un retour à la normale, il suffit dans ce cas de commuter plusieurs fois de suite sur aspiration puis sur soufflage.

### 7.2 Maintenance

- En cas de dysfonctionnements éventuels, il convient de faire vérifier l'appareil uniquement par un spécialiste autorisé ou par un centre de service.
- L'intérieur de l'appareil ne contient pas de pièces exigeant un entretien.

## 8. Problèmes

**L'appareil ne fonctionne pas :**

**Attention !**

**Tous les boutons de verrouillage doivent être vissés à fond.**

Vérifiez que les batteries sont chargées et que le chargeur fonctionne. Dans le cas où l'appareil ne fonctionne pas alors que la tension est présente, renvoyez celui-ci chez un centre de service.

## 9. Élimination et recyclage

L'appareil se trouve dans un emballage pour empêcher les dommages dus au transport. Cet emballage constitue une matière première et peut par conséquent est réutilisé ou peut être recyclé. L'appareil et ses accessoires sont fabriqués à partir de différents produits, comme par exemple le métal et les matières plastiques. Ne jetez pas les appareils défectueux dans les déchets ménagers. Pour être éliminé de façon appropriée, l'appareil devrait être déposé à un lieu de collecte approprié. Si vous ne connaissez aucun lieu de collecte, informez-vous auprès de l'administration municipale.

## 10. Entreposage

Entreposez l'appareil et ses accessoires dans un endroit sombre, sec et exempt de gel ainsi que hors la portée des enfants. La température d'entreposage optimale se situe entre 41 °F et 86 °F (5 °C et 30 °C). Entreposez l'outil électrique dans l'emballage d'origine.

Une réimpression ou toute autre reproduction de la documentation et des documents accompagnant les produits, même par extraits, ne sont autorisées qu'avec accord exprès d'Einhell Germany AG.

Sous réserve des modifications techniques.





**Peligro!** - Leer el manual de instrucciones para reducir cualquier riesgo de sufrir daños.



Leer el manual de instrucciones de uso antes de la puesta en marcha.



Mantener a terceras personas alejadas de la zona de peligro.



No utilizar el aparato cuando llueva o nieve. Proteger el aparato de la humedad.



Ponerse un casco, unas gafas de trabajo y protectores auditivos.



¡Piezas giratorias! Mantener las manos y los pies alejados de los orificios.



Almacenamiento de las baterías sólo en espacios secos con una temperatura ambiente de 50°F to 104°F (+10°C to +40°C). Guardar las baterías únicamente cuando estén cargadas (mín. al 40%).

**Peligro!**

Al usar aparatos es preciso tener en cuenta una serie de medidas de seguridad para evitar lesiones o daños. Por este motivo, es preciso leer atentamente este manual de instrucciones/advertencias de seguridad. Guardar esta información cuidadosamente para poder consultarla en cualquier momento. En caso de entregar el aparato a terceras personas, será preciso entregarles, asimismo, el manual de instrucciones/advertencias de seguridad. No nos hacemos responsables de accidentes o daños provocados por no tener en cuenta este manual y las instrucciones de seguridad.

Para un uso exclusivamente doméstico.

**1. Instrucciones de seguridad****INSTRUCCIONES DE SEGURIDAD IMPORTANTES****Leer todas las instrucciones**

**ADVERTENCIA:** Al usar aparatos eléctricos de jardinería es preciso tener en cuenta una serie de medidas básicas de seguridad con el fin de reducir el riesgo de incendio, descarga eléctrica y lesiones personales, incluyendo las siguientes:

**ADVERTENCIA –** Para reducir el riesgo de incendio, descarga eléctrica o lesión:

- 1) No usar en exteriores ni en superficies húmedas.
- 2) No permitir que se use a modo de juguete. Es necesario prestar mucha atención cuando sea utilizado por niños o cerca de ellos.
- 3) Usar solo según se describe en este manual. Utilizar solo accesorios recomendados por el fabricante.
- 4) No usar con enchufe o cable dañados. Si el aparato no funciona como debería, se ha caído, dañado, dejado a la intemperie o se ha caído en agua, llevarlo a un centro de servicio.
- 5) No tirar del aparato ni transportarlo por el cable, ni utilizar el cable a modo de asa. No cerrar una puerta pillando el cable ni tirar de él pasándolo por esquinas ni bordes afilados. No pasar el aparato por encima del cable. Mantener el cable alejado de superficies calientes.
- 6) No tocar el enchufe o el aparato con manos húmedas.

- 7) No introducir objetos en las aberturas. No utilizar si alguna abertura está bloqueada. Mantenerlas libres de polvo, pelusas, pelo y cualquier cosa que pueda reducir el flujo de aire. Mantener el cabello, la ropa holgada, los dedos y todas las partes del cuerpo alejadas de las aberturas y de las piezas en movimiento.
- 8) Apagar todos los controles antes de desenchufar.
- 9) Prestar especial cuidado a la hora de limpiar en escaleras.
- 10) No utilizar para absorber líquidos inflamables o combustibles, como por ejemplo gasolina, ni utilizarlo en áreas donde puedan estar presentes.

**Para un aspirador:**

"No absorber nada que esté encendido o de lo que salga humo, como por ejemplo cigarrillos, cerillas o cenizas calientes."

"No usar sin que la bolsa de recogida de polvo y/o filtros estén puestos."

No utilizar la máquina cuando haya personas, especialmente niños, o animales en las inmediaciones.

**PARA TODOS LOS APARATOS**

- Evitar un arranque inesperado. Asegurarse de que el interruptor de encendido se encuentre en la posición OFF antes de conectar la batería, alzar el aparato o transportarlo. El transporte de aparatos con el dedo en el interruptor de encendido o la activación de aparatos eléctricos con el interruptor de encendido en ON puede provocar accidentes.
- Asegurarse de que el interruptor de encendido esté en OFF y la batería haya sido extraída antes de retirar material atascado, realizar ajustes, cambiar accesorios, almacenar el aparato o llevar a cabo su mantenimiento. El accionamiento inesperado del aparato durante la retirada del material atascado o el mantenimiento puede provocar graves lesiones personales.
- Evitar entornos peligrosos: no utilizar los aparatos en lugares húmedos o mojados.
- No usar bajo la lluvia.
- Mantener a los niños alejados: es preciso mantener a todas las personas y animales alejados de la zona de trabajo.
- Vestirse adecuadamente: no llevar ropa holgada ni joyas. Podrían quedarse atrapadas en las piezas móviles. Llevar ropa protectora:

se recomienda usar guantes, pantalones largos, una camiseta de manga larga y calzado de seguridad siempre que se trabaje en el exterior. Llevar gorro para cubrir y proteger el pelo largo.

- Llevar gafas de seguridad: llevar siempre mascarilla antipolvo si hay polvo en el área en el que se va a trabajar. El objetivo de las normas de seguridad es advertir de los posibles peligros. Es preciso prestar especial atención y comprender los símbolos de seguridad y sus explicaciones. Las advertencias de seguridad no eliminan por sí mismas los peligros. Las instrucciones o advertencias que ofrecen no sustituyen las medidas adecuadas para la prevención de accidentes.
  - Utilizar el aparato adecuado: no utilizar el aparato para realizar un trabajo para el que no haya sido concebido.
  - No forzar el aparato: trabajará mejor y con menos probabilidad de que exista riesgo de sufrir lesiones dentro de los parámetros para la que ha sido diseñado.
  - No sobreextenderse: mantener siempre bien apoyados los pies y el equilibrio.
  - Estar siempre atento. utilizar el sentido común. No operar el aparato si se está cansado o bajo la influencia de drogas, alcohol o medicación.
  - Cuando no se utilice el aparato, se deberá almacenar en un recinto cerrado y seco fuera del alcance de los niños.
  - Realizar el mantenimiento el aparato con cuidado. Seguir las instrucciones para la lubricación y el cambio de accesorios. Mantener las empuñaduras secas, limpias y libres de aceite y grasa.
  - Comprobar que no haya piezas dañadas. Antes de utilizar el aparato, asegurarse de que las protecciones de seguridad estén intactas. No utilizar nunca una herramienta sin su protección de seguridad. Revisar la alineación de las piezas móviles y sus uniones.
  - Comprobar que no haya piezas rotas o defectuosas que puedan afectar el funcionamiento seguro de la herramienta. Un dispositivo de protección dañado u otra pieza dañada se deberá enviar a reparar adecuadamente o sustituir a un centro de servicio autorizado a no ser que se indique lo contrario en este manual.
  - Recargar solo con el cargador especificado por el fabricante. Un cargador adecuado para un tipo de batería puede conllevar el riesgo de provocar un incendio si se usa con otro tipo de batería.
  - Utilizar los aparatos solo con las baterías designadas específicamente. El uso de cualquier otro tipo de batería puede suponer un riesgo de sufrir lesiones y de provocar un incendio.
  - Si no se está usando la batería, mantenerla alejada de otros objetos metálicos, como clips, monedas, llaves, clavos, tornillos u otros objetos pequeños de metal que puedan realizar una conexión de un terminal al otro. Si se cortocircuitan los terminales de la batería, se pueden provocar quemaduras o un incendio.
  - En caso de uso excesivo, es posible que algo de líquido gotee de la batería. Evitar el contacto. En caso de contacto accidental, lavar con agua. Si el líquido entra en contacto con los ojos, buscar atención médica. El líquido que sale de la batería puede causar irritación o quemaduras. (Estos consejos están destinados a los tipos de batería convencionales NiMh, NiCd, de plomo y ácido y de iones de litio. Si estos consejos no son adecuados para un tipo de batería distinta a estos, sustituirlos por los consejos adecuados.)
  - No utilizar baterías ni aparatos que estén dañados o modificados. Las baterías dañadas o modificadas pueden manifestar comportamientos impredecibles que den lugar a incendio, explosión o riesgo de lesión.
  - No exponer una batería ni un aparato al fuego o a una temperatura excesiva. La exposición al fuego o a una temperatura superior a los 266°F (130°C) puede provocar una explosión.
  - Seguir todas las instrucciones de carga y no cargar la batería ni el aparato fuera del margen de temperatura especificado en las instrucciones. Una carga inadecuada o a temperaturas fuera del margen especificado puede dañar la batería e incrementar el riesgo de incendio.
  - Encargar el servicio exclusivamente a una persona cualificada que use solo piezas de repuesto idénticas. Solo así se podrá mantener la seguridad del producto.
  - No modificar ni intentar reparar el aparato o la batería (si aplicable) de forma distinta a lo que se indique en las instrucciones de uso y conservación.
- 1.) PARA TODOS LOS APARATOS QUE FUNCIONAN CON BATERÍA:**
- No cargar el aparato bajo la lluvia ni en lugares húmedos.

- No utilizar aparatos que funcionan con batería bajo la lluvia. Quitar o desconectar siempre la batería antes de realizar ajustes, limpiar, reparar o transportar el aparato de jardín.

## 2.) PARA TODOS LOS APARATOS QUE FUNCIONAN CON UNA BATERÍA DESMONTABLE:

- Usar solo el siguiente tipo y tamaño de batería:
  - 18V 1.5Ah PXC batería Li-Ion
  - 18V 2.0Ah PXC batería Li-Ion
  - 18V 3.0Ah PXC batería Li-Ion
  - 18V 4.0Ah PXC batería Li-Ion
  - 18V 3.0Ah PXC Plus batería Li-Ion
  - 18V 4.0Ah PXC Plus batería Li-Ion
  - 18V 5.2Ah PXC Plus batería Li-Ion
  - 18V 4.0Ah/6.0Ah PXC Plus batería Li-Ion
- No tirar la batería al fuego. La célula puede explotar. Consultar la legislación local en materia de eliminación de residuos.
- No abrir ni cortar la batería. El electrolito que sale de la misma es corrosivo y puede lesionar los ojos o la piel. Puede ser tóxico si se ingiere.
- Tener cuidado al manipular la batería para no cortocircuitarla con materiales conductivos como anillos, pulseras o llaves. La batería o el conductor se puede sobrecalentar y provocar quemaduras.

## 3.) EVITAR UN ARRANQUE INVOLUNTARIO: NO INSERTAR LA BATERÍA MIENTRAS SE TIENE EL DEDO EN EL INTERRUPTOR. ASEGURARSE DE QUE EL INTERRUPTOR ESTÉ EN OFF CUANDO SE INSERTE LA BATERÍA.

### ADVERTENCIAS GENERALES DE SEGURIDAD PARA LA BATERÍA

- Desechar la batería usada a tiempo y de manera adecuada. A la hora de desechar células o baterías secundarias, mantener separadas las células o baterías de distintos sistemas electromecánicos.
- Mantener la batería fuera del alcance de los niños y en el embalaje original hasta que estén listas para su uso.
- No meterse nunca la batería en la boca. De ingerirse, ponerse de inmediato en contacto con el centro de toxicología local.
- CUIDADO: la batería que se utiliza en este dispositivo puede conllevar riesgo de incendio o quemadura química si se abusa de ella.

Sustituir la batería exclusivamente por otra de la marca Einhell o la marca recomendada. El uso de cualquier otra batería puede conllevar riesgo de incendio o explosión.

- ADVERTENCIA: no utilizar una batería o aparato que esté visiblemente dañado.
- ADVERTENCIA: no modificar ni intentar reparar el aparato ni la batería.
- **LAS BATERÍAS SE TIENEN QUE RECIPLICAR.**
- No cortocircuitar la célula ni la batería. No guardar las células ni baterías de manera descuidada en una caja o en un cajón donde se puedan cortocircuitar entre sí o por materiales conductivos.
- No someter las células o baterías a choques mecánicos.
- Mantener las células y baterías limpias y secas. Si se ensucian, frotarlas con un paño limpio y seco.
- No mantener las células o baterías secundarias en carga si no se usan.
- Mantener las células y baterías originales. No utilizar un cargador que no se haya facilitado específicamente para usar con el equipo. Las células y baterías secundarias se tienen que cargar antes de su uso. Utilizar siempre el cargador correcto y consultar las instrucciones del fabricante o el manual del equipo para saber cómo cargar correctamente.
- Siempre que sea posible, quitar la batería del equipo cuando no se use.
- Evitar un arranque inesperado. Asegurarse de que el interruptor se encuentre en la posición OFF antes de conectar la batería, alzarla o transportarla. El transporte de aparatos con el dedo en el interruptor o la activación de aparatos energéticos con el interruptor en ON puede provocar accidentes.
- Desconectar la batería del aparato antes de realizar ajustes, cambiar accesorios o almacenar el aparato. Este tipo de medidas de seguridad preventivas sirve para reducir el riesgo de poner en marcha el aparato de manera involuntaria.
- En caso de uso excesivo, es posible que algo de líquido gotee de la batería. Evitar el contacto. En caso de contacto accidental, lavar con agua. Si el líquido entra en contacto con los ojos, buscar atención médica. El líquido que sale de la batería puede causar irritación o quemaduras.
- Encargar el servicio exclusivamente a una persona cualificada que use solo piezas de repuesto idénticas. Solo así se podrá mante-

- ner la seguridad del producto.
- **Proteger la batería de la humedad, la lluvia y la humedad ambiental elevada.** La humedad, la lluvia y la humedad ambiental elevada pueden provocar daños peligrosos en las celdas. No cargar ni trabajar nunca con baterías que hayan estado expuestas a la humedad, la lluvia o humedad ambiental elevada, ¡reemplazarlas de inmediato!
- Si el aparato está dotado de una batería extraíble, por motivos de seguridad será preciso extraerla una vez finalizado el trabajo.

#### INSTRUCCIONES DE SEGURIDAD IMPORTANTES PARA EL CARGADOR

**ADVERTENCIA:** Este producto puede contener plomo, ftalato u otros productos químicos que según el Estado de California pueden provocar cáncer, malformaciones en el feto u otros daños reproductivos. Lavarse las manos después de utilizarlo.

#### Protección contra influencias ambientales

1. Ponerse ropa de trabajo adecuada. Ponerse gafas de protección.
2. **Proteger el aparato y el cargador de la humedad y la lluvia.** Estas podrían provocar daños peligrosos en las celdas.
3. No utilizar el aparato y el cargador cerca de vapores y líquidos inflamables.
4. Utilizar el cargador y el aparato a batería sólo si están secos y a una temperatura ambiente de 50°F-104°F (10-40 °C).
5. No guardar la batería en lugares que puedan alcanzar una temperatura superior a 104°F (40 °C), especialmente no en un vehículo aparcado al sol.
6. **¡Proteger las baterías contra un sobrecalentamiento!** La sobrecarga, carga excesiva o la radiación solar conducen a un sobrecalentamiento y al daño de las celdas. No cargar ni trabajar en ningún caso con baterías que se hayan sobrecalentado. Sustituirlas inmediatamente.
7. **Almacenamiento de baterías, cargadores y del aparato.** Guardar siempre el cargador y el aparato en habitaciones secas con una temperatura ambiente de 50°F-104°F (10-40°C). Guardar la batería de iones de litio en un lugar fresco y seco a 50°F-68°F (10-20°C). ¡Proteger de la humedad ambiental y de la radiación solar! Guardar las baterías únicamente cuando estén cargadas (mín. al 40%).
8. Evitar que la batería de iones de litio se hielan. Deshacerse de las baterías que hayan

estado guardadas a 32°F (0°C) durante más de 60 minutos.

9. Llevar cuidado con la carga electrostática al manipular baterías: las descargas electrostáticas provocan daños en el sistema electrónico de protección y las celdas de la batería. ¡Evitar por ello la carga electrostática y no tocar nunca los polos de la batería!

#### Instrucciones de seguridad adicionales

- Camine, no corra.
- Mantenga siempre los orificios de ventilación limpios.
- No dirigir el orificio de soplado hacia personas o animales.
- La máquina solo debe ser operada a horas razonables: ni por la mañana muy temprano ni por la noche muy tarde para no molestar a los demás. Se han de respetar los horarios establecidos por las autoridades locales.
- Antes de comenzar con el soplado, retirar los posibles objetos sólidos con cepillo y rastrillo.
- Donde se genere polvo, se habrá de humedecer ligeramente la superficie o bien utilizar una pieza de riego acoplada, en caso de disponer de ella.
- Utilizar el juego completo de boquilla de soplar para que el caudal de aire pueda actuar cerca del suelo.
- Cuidado con los niños, animales domésticos y ventanas abiertas, soplar de forma que no se pueda dañar a nadie ni nada.
- **Aviso:** Los niños no deben utilizar la máquina.
- **Aviso:** Peligro de accidente por piezas giratorias.
- **Aviso:** No trabajar con este aparato cerca de ventanas abiertas.

#### GUARDE ESTAS INSTRUCCIONES

## 2. Descripción del aparato y volumen de entrega

### 2.1 Descripción del aparato

1. Interruptor ON/OFF
2. Regulación de velocidad con display
3. Empuñadura adicional
4. Tornillo estrella M5
5. Cinturón de transporte
6. Cierre de clic
7. Tubo de aspiración posterior
8. Enclavamiento

9. Receso
10. Tornillo autorroscante
11. Tubo de aspiración delantero
- 12.1. Agujero 1
- 12.2. Agujero 2
- 12.3. Agujero 3
13. Ruedecillas
14. Bolsa de recogida
15. Conexión de la bolsa de recogida
16. Montar
17. Palanca de desbloqueo
18. Soporte de pared/apoyo
19. Recorte
20. Palanca de cambio soplar/aspirar
21. Alojamiento para la batería
22. Batería (no se suministra)
23. Dispositivo de retención
24. Indicador de capacidad de batería
25. Pulsador para indicar la capacidad de batería

## 2.2 Volumen de entrega

Sirviéndose de la descripción del volumen de entrega, comprobar que el artículo esté completo. Si faltase alguna pieza, dirigirse a nuestro Service Center o a la tienda especializada más cercana en un plazo máximo de 5 días laborales tras la compra del artículo presentando un recibo de compra válido.

- Abrir el embalaje y extraer cuidadosamente el aparato.
- Retirar el material de embalaje, así como los dispositivos de seguridad del embalaje y para el transporte (si existen).
- Comprobar que el volumen de entrega esté completo.
- Comprobar que el aparato y los accesorios no presenten daños ocasionados durante el transporte.
- Si es posible, almacenar el embalaje hasta que transcurra el periodo de garantía.

### Peligro!

**¡El aparato y el material de embalaje no son un juguete! ¡No permitir que los niños jueguen con bolsas de plástico, láminas y piezas pequeñas! ¡Riesgo de ingestión y asfixia!**

- Soplador/aspirador/limpiador de hojas 3 en 1 inalámbrico
- Manual de instrucción original con instrucción de seguridad

## Accesorios disponibles por separado

- 18V 1.5Ah PXC batería Li-Ion
- 18V 2.0Ah PXC batería Li-Ion
- 18V 3.0Ah PXC batería Li-Ion
- 18V 4.0Ah PXC batería Li-Ion
- 18V 3.0Ah PXC Plus batería Li-Ion
- 18V 4.0Ah PXC Plus batería Li-Ion
- 18V 5.2Ah PXC Plus batería Li-Ion
- 18V 4.0Ah/6.0Ah PXC Plus batería Li-Ion
- 18V PXC cargador rápido de doble Puerto
- 18V PXC cargador rápido

Comuníquese con su distribuidor local para obtener modelos más específicos de baterías y cargadores disponibles en su área. Explorar las opciones de batería y cargador en [einhell.com](http://einhell.com).

## 3. Uso adecuado

Este aparato está diseñado para alejar soplando, amontonar y aspirar hojas y hierbas desde secas a ligeramente húmedas de superficies pavimentadas y céspedes. Se pueden soplar y amontonar impurezas pequeñas y ligeras como colillas, ramas pequeñas o papel de, por ejemplo, caminos asfaltados y céspedes.


### Aviso:

Al succionar o aspirar, el material se tritura al mismo tiempo en una trituradora integrada en el aparato y pasa a la bolsa de recogida. Por este motivo, este aparato no debe emplearse para aspirar sólidos duros y pesados (p. ej. vidrio, tornillos, piedras). No utilizar el aparato en superficies no pavimentadas ni secas, como por ejemplo superficies de gravilla y bancales secos. No aspirar grandes cantidades de polvo. Este aparato no debe utilizarse para aspirar líquidos o nieve. Este aparato no debe emplearse en espacios cerrados. Asimismo, no debe emplearse para repartir o aspirar productos químicos y tóxicos, como por ejemplo abonos, pesticidas, materiales que contengan asbesto o líquidos inflamables.

Utilizar la máquina sólo en los casos que se indican explícitamente como de uso adecuado. Cualquier otro uso no será adecuado. En caso de uso inadecuado, el fabricante no se hace responsable de daños o lesiones de cualquier tipo; el responsable es el usuario u operario de la máquina.

Tener en consideración que nuestro aparato no está indicado para un uso comercial, industrial o en taller. No asumiremos ningún tipo de garantía cuando se utilice el aparato en zonas industriales, comerciales o talleres, así como actividades similares.

#### 4. Características técnicas

Alimentación de tensión de motor:..... 18V   
 Velocidad en vacío  $n_0$ : ..... 8000-14000 rpm  
 Velocidad de aire máx.: ..... 130 mph (210 km/h)  
 Potencia de aspiración máx.:  
 ..... 300 CFM (8.5 m<sup>3</sup>/min)  
 Potencia de soplado máx.: .. 106 CFM (3 m<sup>3</sup>/min)  
 Volumen de la bolsa de recogida:  
 ..... approx. 10 gal (38 l)  
 Peso (solo herramienta): ..... 6.6 lbs (3 kg)

##### ¡Reducir la emisión de ruido y las vibraciones al mínimo!

- Emplear sólo aparatos en perfecto estado.
- Realizar el mantenimiento del aparato y limpiarlo con regularidad.
- Adaptar el modo de trabajo al aparato.
- No sobrecargar el aparato.
- En caso necesario dejar que se compruebe el aparato.
- Apagar el aparato cuando no se esté utilizando.
- Llevar guantes.
- Usar protección para los oídos.

##### Cuidado!

##### Riesgos residuales

**Incluso si esta herramienta se utiliza adecuadamente, siempre existen riesgos residuales. En función de la estructura y del diseño de esta herramienta eléctrica pueden producirse los siguientes riesgos:**

1. Lesiones pulmonares en caso de que no se utilice una mascarilla de protección antipolvo.
2. Lesiones auditivas en caso de que no se utilice una protección para los oídos adecuada.
3. Daños a la salud derivados de las vibraciones de las manos y los brazos si el aparato se utiliza durante un largo periodo tiempo, no se sujeta del modo correcto o si no se realiza un mantenimiento adecuado.
4. Daños en los ojos si no se llevan unas gafas protectoras adecuadas.

Este aparato genera un campo electromagnético durante su funcionamiento. En determinadas circunstancias, este campo podrá afectar a los posibles implantes médicos activos o pasivos. Para reducir el peligro de lesiones graves o incluso mortales, recomendamos a las personas que lleven este tipo de implantes que consulten a su médico y al fabricante del implante antes de utilizar el aparato.

#### 5. Antes de la puesta en marcha

**¡El aparato se suministra sin baterías y sin cargador!**

##### ¡Aviso!

**Extraer siempre la batería antes de realizar ajustes en el aparato.**

##### 5.1 Preparativos

##### Tubo de aspiración (fig 3 - 6)

Encajar el tubo de aspiración superior (7) y el inferior (11). Asegurarse de que el saliente (8) se introduzca en la entalladura pertinente (9). Tener en cuenta además que se encaje correctamente.

Atornillar adicionalmente ambos tubos con el tornillo de rosca cortante (10). Introducir el tubo de aspiración completamente montado en la carcasa del motor y fijarlo con los dos tornillos estrella (7).

##### ¡Atención!

Antes de fijarlo al aparato, comprobar siempre primero que ambos tubos estén unidos entre sí de tal forma que no se puedan desarmar.

Solo cuando el tubo de aspiración completamente montado está correctamente atornillado a la carcasa del motor, se accionan los interruptores de seguridad integrados y se suministra tensión al aparato.

##### 5.2 Cómo montar el soporte de pared (fig. 7 - 8)

Empujar el soporte de pared (18) sobre la carcasa del motor hasta el tope. Asegurarse de que la sección en forma de V (19) apunte hacia el tubo de aspiración para poder colgar el aparato a un tornillo en la pared. El soporte de pared también sirve de apoyo cuando se coloca el aparato en el suelo.

### 5.3 Cómo montar el cinturón de transporte (fig. 9)

Tirar hacia atrás del bloqueo (9) del mosquetón y engancharlo en la carcasa del motor.

### 5.4 Cómo montar/retirar la bolsa de recogida (fig 10 - 13)

- Encajar la conexión de la bolsa de recogida (15) en el alojamiento (16) en la carcasa del motor. Asegurarse de que se enclava correctamente.
- Enganchar la bolsa de recogida del tubo de aspiración en uno de los dos orificios (12.1 / 12.2). El agujero (12.3) no puede utilizarse con este modelo.

Para retirar la bolsa de recogida, desengancharla del tubo de aspiración. Presionar simultáneamente a la izquierda y a la derecha la palanca de desbloqueo (17) y extraer la bolsa de recogida.

### 5.5 Montaje de la batería (fig. 14 - 15)

Presionar el dispositivo de retención de la batería (23) como se muestra en la figura 14 e introducir la batería hasta que se encaje en el alojamiento (21) previsto para ello. La figura 15 muestra la batería completamente montada. Para desmontar la batería, realizar los mismos pasos en orden inverso.

### 5.6 Cómo cargar la batería de litio (no incluido en el volumen de entrega)

Las instrucciones correspondientes se encuentran en el manual de instrucciones original del cargador.

### 5.7 Indicador de capacidad de batería (fig. 18)

Pulsar el interruptor para acceder al indicador de capacidad de la batería (25). El indicador de capacidad de batería (24) le indica el estado de carga de la batería sirviéndose de 3 LEDs.

#### Los 3 LED están iluminados:

La batería está completamente cargada.

#### 2 o 1 LED están iluminados

La batería dispone de suficiente carga residual.

#### 1 LED parpadea:

La batería está vacía, es preciso cargarla.

#### Si todos los LED parpadean:

La temperatura de la batería es demasiado baja. Quitar la batería del aparato y dejarla durante un día a temperatura ambiente. Si vuelve a aparecer

el fallo, la batería se ha descargado completamente y está defectuosa. Quitar la batería del aparato. Está prohibido emplear o cargar una batería defectuosa.

## 6. Manejo

### ¡Peligro!

Poner el aparato en funcionamiento una vez esté completamente montado.

### 6.1 Cómo determinar la longitud del cinturón (fig 16)

Colocarse la correa de transporte sobre el hombro y ajustar la longitud para que se pueda guiar el aparato cómodamente.

**Cuidado: llevar la correa de modo que el cierre de clic esté siempre al alcance de la mano. En caso de emergencia, el aparato se puede desmontar rápidamente abriendo el receso (9).**

### 6.2 Cómo encender/apagar el aparato (fig. 17)

- Para encender la máquina, pulsar el interruptor ON/OFF (1).
- Para apagarlo, soltar el interruptor ON/OFF.

### 6.3 Regulación de velocidad

El aparato está provisto de un regulador de velocidad electrónico. Para ello, girar el regulador de velocidad (fig. 17/pos. 2) a la posición deseada. Poner el aparato en funcionamiento solo a la velocidad necesaria y no permitir que gire innecesariamente.

MIN = velocidad mínima  
MAX = velocidad máxima

### 6.4 Modo de servicio

**¡Cuidado!** Antes de utilizar el aparato, buscar en la superficie objetos ocultos (por ejemplo, animales pequeños y objetos extraños duros).

### Cómo soplar las hojas (fig. 17)

#### ¡Cuidado!

No soplar contra personas, animales u objetos (p. ej., ventanas) puesto que se podrían ocasionar daños y lesiones.

- No dirigir hacia uno mismo el sople de aire.
- No dirigir jamás el sople de aire a otras personas, animales u objetos.
- No aplicar el soplado a objetos duros tales como piedras o ramas para quitarlos.



- Girar la palanca de cambio (20) a la posición "A" indicada. Esto se puede realizar tanto cuando el aparato está parado como cuando está en funcionamiento.
- Dirigir la corriente de aire hacia delante y moverse lentamente para reunir soplando las hojas o los residuos del jardín o para quitarlos de lugares de difícil acceso.

### ¡Peligro!

No amontonar (soplar) nunca materiales calientes, inflamables ni explosivos.

### Cómo aspirar hojas (fig. 17)

#### ¡Cuidado!

- Utilizar el aspirador de hojas en modo aspiración solo si la bolsa de recogida está correctamente montada y en perfecto estado.
- No aspirar demasiadas hojas de golpe, podrían atascar el tubo y la herramienta trituradora.
- Quitar trabas según lo descrito en el capítulo „Eliminar bloqueos“.
- No aspirar materiales duros ni húmedos.
- Girar la palanca de cambio (20) a la posición indicada "B". Esto se puede realizar tanto cuando el aparato está parado como cuando está en funcionamiento.
- Sujetar el tubo de aspiración siempre hacia el suelo y ajustar la longitud del cinturón en función de las necesidades (véase el capítulo 6.1). Adicionalmente, los rodillos guía (13), situados en el extremo del tubo de aspiración, sirven para guiarlo fácilmente.

### 6.5 Cómo vaciar la bolsa de recogida (fig. 1)

Vaciar a tiempo la bolsa de recogida (14). Cuando la bolsa está demasiado llena, la potencia de aspiración se debilita. Llevar los residuos orgánicos al lugar adecuado para elaborar compost.

- Desconectar el aparato y retirar la batería
- Abrir la cremallera de la bolsa de recogida (14) y vaciar el material aspirado.
- Volver a cerrar la cremallera de la bolsa de recogida (14).

### 6.6 Cómo eliminar bloqueos

#### ¡Peligro!

- Apagar el aparato, esperar a que las piezas móviles se detengan y retirar las baterías.
  - Llevar guantes de protección
  - Utilizar herramientas adecuadas (p. ej., un palo de madera)
1. Comprobar que el tubo no presente bloqueos. Golpear suavemente los tubos de

absorción o utilizar un palo de madera para soltar los bloqueos.

2. Vaciar la bolsa de recogida y retirarla. Desmontar el tubo de aspiración (quitar los tornillos estrella fig. 6/pos. 4).
3. Comprobar los orificios de la carcasa del motor en cuanto a posibles bloqueos. Eliminar el bloqueo, dado el caso, con un palo de madera. Asegurarse de que la herramienta trituradora esté libre.

## 7. Mantenimiento y limpieza

### Peligro!

Desenchufar la batería antes de realizar trabajos de limpieza.

#### 7.1 Limpieza

- Reducir al máximo posible la suciedad y el polvo en los dispositivos de seguridad, las rendijas de ventilación y la carcasa del motor. Frotar el aparato con un paño limpio o soplarlo con aire comprimido manteniendo la presión baja.
  - Se recomienda limpiar el aparato tras cada uso.
  - Limpiar el aparato con regularidad con un paño húmedo y un poco de jabón blando. No utilizar productos de limpieza o disolventes ya que se podrían deteriorar las piezas de plástico del aparato. Es preciso tener en cuenta que no entre agua en el interior del aparato. Si entra agua en el aparato eléctrico existirá mayor riesgo de una descarga eléctrica.
  - Una vez finalizado el trabajo, retirar la bolsa de recogida, darle la vuelta para limpiarla a fondo y evitar así que se produzca moho u olores desagradables.
  - Una bolsa de recogida muy sucia se podrá limpiar con agua y jabón.
  - Si la cremallera cierra mal, frotar los dientes de la misma con jabón seco.
  - Limpiar la suciedad del tubo de aspiración/ soplado con un cepillo.
  - Se puede acceder a la herramienta trituradora como se describe en el apartado „6.6 Cómo eliminar bloqueos“. Para la limpieza no utilizar productos de limpieza ni líquidos. Eliminar la suciedad con un cepillo, un paño en seco o aire comprimido.
- Atención:** El aparato no funciona si la tapa no está bien cerrada, un microinterruptor interrumpe el suministro de corriente.

- Al realizar el mantenimiento de la herramienta trituradora es preciso ser consciente de que aunque la fuente energética esté desconectada gracias a la función de bloqueo del dispositivo de protección, la herramienta trituradora se puede seguir moviendo.
- Por motivos de seguridad es preciso sustituir las piezas desgastadas o dañadas. Utilizar exclusivamente piezas de repuesto y accesorios originales.
- La suciedad producida por el material absorbido puede reducir la respuesta de la palanca de cambio (soplar/aspirar). En este caso, la respuesta de la palanca de cambio se vuelve a ajustar tras cambiar varias veces de aspirar a soplar.

### 7.2 Mantenimiento

- En caso de que se produjeran averías, llevar el aparato a un especialista autorizado o un taller de servicio técnico.
- No hay que realizar el mantenimiento a más piezas en el interior del aparato.

## 8. Averías

**El aparato no funciona:**

**¡Atención!**

**Todas las conexiones deben estar bien apretadas.**

Comprobar que la batería esté cargada y que el cargador funcione. En caso de que el aparato no funcione a pesar de haber tensión, enviarlo a la dirección indicada del servicio de asistencia técnica.

## 9. Eliminación y reciclaje

El aparato está protegido por un embalaje para evitar daños producidos por el transporte. Este embalaje es materia prima y, por eso, se puede volver a utilizar o llevar a un punto de reciclaje. El aparato y sus accesorios están compuestos de diversos materiales, como, p. ej., metal y plástico. Los aparatos defectuosos no deben tirarse a la basura doméstica. Para su eliminación adecuada, el aparato debe entregarse a una entidad recolectora prevista para ello. En caso de no conocer ninguna, será preciso informarse en el organismo responsable del municipio.

## 10. Almacenamiento

Guardar el aparato y sus accesorios en un lugar oscuro, seco, protegido de las heladas e inaccesible para los niños. La temperatura de almacenamiento óptima se encuentra entre los 41 °F y 86 °F (5 y 30 °C). Guardar la herramienta eléctrica en su embalaje original.

Sólo está permitido copiar la documentación y documentos anexos del producto, o extractos de los mismos, con autorización expresa de Einhell Germany AG.

Nos reservamos el derecho a realizar modificaciones técnicas



A series of horizontal lines for writing, starting from the top right and extending down to the bottom of the page.



A series of horizontal lines for writing, starting with a pencil icon at the beginning of the first line.



A series of horizontal lines for writing, starting from the pencil tip and extending across the page.



[www.Einhell.com](http://www.Einhell.com)

EH 07/2023 (01)