

GARDENLINE®

Garden Shredder

Operating Instructions - User Guide



AFTER SALES SUPPORT



0151 649 1500
1890 946 244



www.einhell.co.uk

MODEL: GLLH 2546 • 91514 • 09/2014

Congratulations!

You have made an excellent choice with the purchase of this quality Gardenline® product.

By doing so you now have the assurance and peace of mind which comes from purchasing a product that has been manufactured to the highest standards of performance and safety, supported by the high quality standards of ALDI.

We want you to be completely satisfied with your purchase so this Gardenline® product is backed by a comprehensive manufacturer's 3 year warranty and an outstanding after sales service through our dedicated Helpline.

We hope you will enjoy using your purchase for many years to come.

If you require technical support or in the unlikely event that your purchase is faulty please telephone our Helpline for immediate assistance. Faulty product claims made within the 3 year warranty period will be repaired or replaced free of charge provided that you have satisfactory proof of purchase (keep your till receipt safe!). This does not affect your statutory rights. However, be aware that the warranty will become null and void if the product is found to have been deliberately damaged, misused or disassembled.



Contents

	Page No.
1. Safety Instructions	04
2. Items Supplied	12
3. Layout	13
4. Use	17
5. Before Starting the Equipment	18
6. Operation	21
7. Data	27
8. Warranty Certificate	35



Safety Instructions

1

IMPORTANT!

Read and follow the operating instructions and safety information before using for the first time.

When using equipment, a few safety precautions must be observed to avoid injuries and damage.

Please read the complete operating manual with due care. Keep this manual in a safe place, so that the information is available at all times. If you give the equipment to any other person, give them these operating instructions as well. We accept no liability for damage or accidents which arise due to non-observance of these instructions and the safety information.

General safety regulations for this electrical tool

This equipment is not designed to be used by people (including children) with limited physical, sensory or mental capacities or those with no experience and/or knowledge unless they are supervised by a person who is responsible for their safety or they have received instructions from such a person in how to use the equipment safely.

Children must always be supervised in order to ensure that they do not play with the equipment.



Safety instructions for garden shredder

CAUTION!

Read all safety regulations and instructions. Any errors made in following the safety regulations and instructions may result in an electric shock, fire and/or serious injury. Keep all safety regulations and instructions in a safe place for future use.

IMPORTANT!

Read carefully before use Keep for later reference.

CAUTION!

The ON/OFF switch must be set to OFF and the power plug removed from the socket-outlet before cleaning or doing any other work on the shredder and whenever the cable becomes tangled. The shredder will continue to run briefly after it is switched off.

- The shredder is not to be used by individuals under 16 years of age or any other persons who are not acquainted with these instructions for use.
- The operator is responsible for the safety of third parties within the working radius of the shredder.
- Make sure that the shredder is properly closed (loading funnel and ejector) before you start up the motor.
- The shredder must be placed on a flat and firm surface where it can stand securely.
- Always wear gloves and safety goggles when working with the shredder.



- We recommend ear-muffs when working with shredders which have no noise-insulating features.
- Each time before you leave the shredder, switch off the motor and pull out the power plug.
- Maintenance and cleaning work on the shredder as well as the removal or adjustment of any safety devices may only be performed when the motor is
- at a standstill and the power plug has been pulled out.
- The safety devices supplied with the shredder (e.g. the ejector) must be used.
- The shredder must be assembled correctly before it is put into operation.
- Examine the shredder each time before you use it. Do not use the shredder if any safety devices are damaged or worn. Never put safety devices out of operation.
- Use the shredder only for the purpose specified in these instructions.
- Work only in good visibility.
- Always make sure of your footing while working.
- Never leave the shredder unattended. Store the shredder in a safe place during interruptions.
- If you interrupt your work to move to a different position it is imperative to switch off the shredder while you are relocating it.
- Never use the shredder in the rain or in moist or wet conditions.
- Protect the shredder from the damp and rain.
- Always wear suitable clothing to protect your head, hands and feet from injury. Wear a helmet, goggles or visor, high boots or strong shoes, long



- trousers made of tough material, and work gloves.
- Keep the shredder away from other persons, particularly children and pets.
 - Do not use the shredder without an RCD protection device, the maximum operating current must be not greater than 30mA.

CAUTION!

The guard is vital for your safety and for the safety of others, and it is also essential for the shredder to work correctly. Failure to observe this instruction will not only create a potential hazard, it will also result in the loss of your rights under the warranty.

- Keep the air vents clear of dirt.
- After use, unplug the machine and check it for damage.
- When you are not using the shredder, keep it in a dry place out of the reach of children.
- Check the screws regularly to see that they are properly tightened.
- The mains voltage of your supply must be the same as the voltage specified on the rating plate.
- Power cables used with the shredder must not be of a lighter duty class than HO7RN-F rubber insulated flexible cables according to DIN 57282/ VDE 0282 with a minimum cross sectional area of 1.5 mm².
- Plug connectors must be equipped with earthing contacts and the coupling must be rain-water protected.
- If the Power Cord or plug is damaged do not use the machine. Have the cable replaced with an approved part by a suitably qualified person.



- Use only original replacement parts for repair and maintenance purposes.
- Have repairs carried out only by a qualified electrician.
- Examine the shredder for signs of wear or damage each time before you use it and after any collisions. Have essential repairs carried out without delay.
- Never use replacement parts or accessories which are not foreseen or recommended by the manufacturer.
- Pull out the power plug before carrying out any inspection, cleaning or other work on the shredder and whenever it is not being used.
- Before you begin your work, examine the material you want to shred. Remove any foreign bodies.
- Continue to watch out for foreign bodies while you are working. If you come across any foreign bodies while shredding, shut down the machine and remove the items in question.
- Keep the machine away from other persons, particularly children and pets.
- Use the machine only in the way described in these operating instructions.
- The electric circuit must be protected at your Distribution Board at least by a 16A fuse.
- The efficiency of the machine will be greatly reduced if a connecting cable with too small a cross section is used. A conductor cross section of at least 3x1.5 mm² is required for cables up to 25 m long, and one of at least 3x2.5 mm² for cables longer than 25 m.



- If the machine has to be lifted for transporting, be sure to switch off the motor first and wait for the cutter to come to a standstill. Each time before you leave the machine, switch off the motor and pull out the power plug. Before you connect the machine to the power supply, make sure that the loading funnel is properly connected to the motor housing and the release screw tightened.
- If the garden refuse shredder vibrates excessively, turn off the motor, pull out the power plug, and find out immediately what is causing the vibrations. Intensive vibration is usually a sign that something is wrong.
- Do not wear loose clothing or clothing with hanging belts or cords.
- Do not use the machine on a paved area that has been gravelled where discharged material may cause injuries.
- Ensure that the loading funnel inlet is empty before you start the machine.
- Keep your head and body away from the infeed opening.
- Do not move your hands, other body parts or clothing into the infeed chamber, ejector chute or near other moving parts.
- Make sure that you are balanced and standing on a firm surface at all times.
- Do not stretch forwards.
- Never stand higher than the machine when feeding material into it.
- Keep away from the discharge zone when you start the machine.



- If foreign bodies get into the cutting tool or the machine generates unusual noises or vibrates in a strange way, switch off the motor immediately and allow the machine to come to a standstill. Pull out the mains plug and carry out the following work:
 - Check the machine for signs of damage
 - Check that all the parts are secure and tighten them if necessary.
 - Have any damaged parts replaced or repaired, but use only spare parts of the same type and equivalent quality
- If the machine is blocked switch off the motor and pull out the mains before you start the cleaning procedure. Ensure that the motor is clear of waste and other accumulations to protect the motor from suffering damage or possibly catching fire.
- Ensure that all the covers and guards are in position and in good working order.
- Do not tip the machine whilst the motor is running.
- Switch off the machine before you fit or remove the collection container.
- The tool must only be used outdoors in a clear open space.
- Damaged or illegible labels must be replaced.
- Allow the tool to cool before carrying out any maintenance work, adjustments, etc.
- Never use the machine while other people or animals are nearby.



- **When inserting material take special care to ensure that it does not contain any metal, stones, bottles, cans or other foreign bodies.**
- **Do not allow processed material to accumulate within the discharge area;**
- **this could prevent the machine being able to discharge correctly and result in material recoiling through the infeed opening.**
- **When servicing the cutting tool, remember that it may still be moving due to the starting mechanism, even if the motor is not running because of the cover interlock.**
- **Children must not be permitted to use the machine.**
- **Wear ear protectors, gloves and safety goggles. Wear these throughout the time the machine is in operation.**



Items Supplied

2

- Open the packaging and take out the equipment with care.
- Remove the packaging material and any packaging and/or transportation braces (if available).
- Check to see if all items are supplied.
- Inspect the equipment and accessories for transport damage.
- If possible, please keep the packaging until the end of the guarantee period.

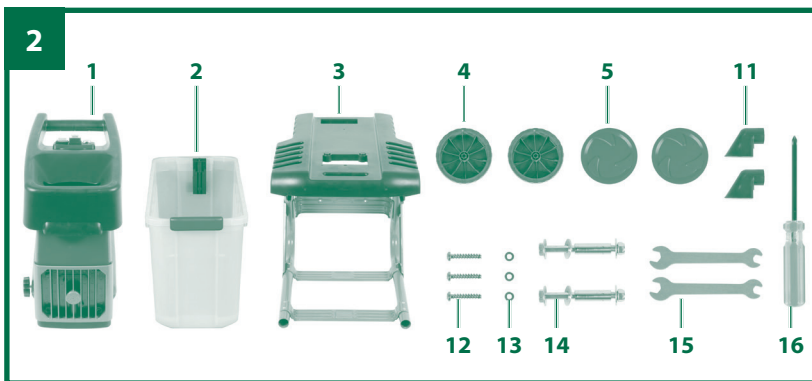
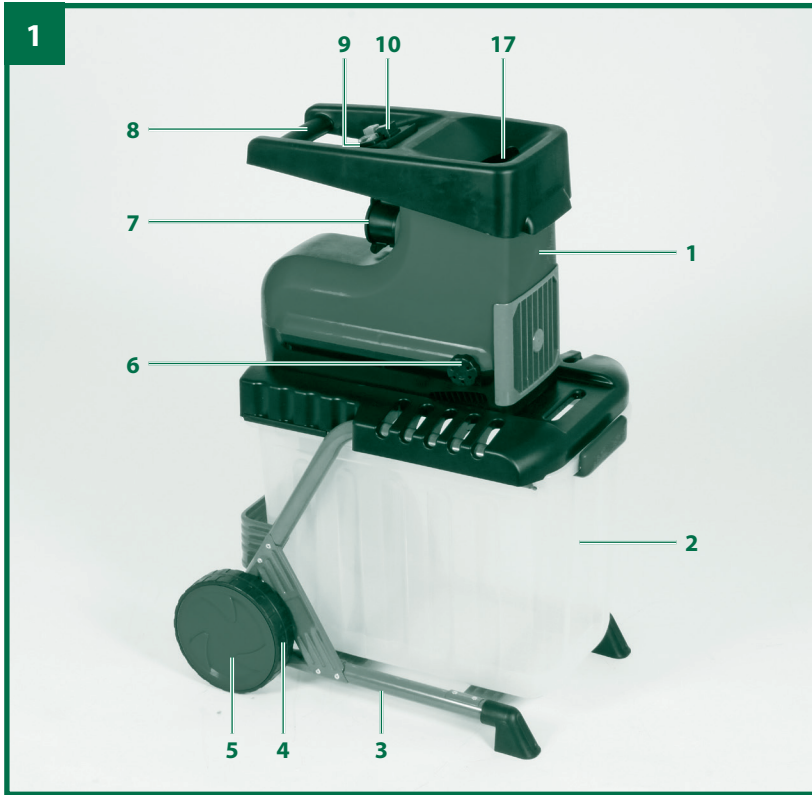


Layout

3

- 1 Motor unit
- 2 Shredded material debris box
- 3 Base frame
- 4 Wheels
- 5 Wheel caps
- 6 Knob for setting the counter blade
- 7 Integral power cable with 13A plug fitted
- 8 Transport handle
- 9 Reverse running switch
- 10 ON/OFF switch
- 11 Legs (including fastening screw)
- 12 3x screws for fitting the motor unit
- 13 3x washers for fitting the motor unit
- 14 2x sets of screws for fitting the wheels
(including wheel sleeves, washers and nuts)
- 15 2x open-ended spanners (10/13 mm)
- 16 1x Philips Screwdriver
- 17 Funnel





Explanation of the warning signs on the equipment (see Fig.)

- 1 **IMPORTANT!** Read the operating instructions and follow the warnings and safety instructions.
- 2 **IMPORTANT!** Take care when the blades are rotating. Do not put your hands or feet into openings when the machine is running.
- 3 **IMPORTANT!** Keep other persons and animals away from the danger zone.
- 4 **IMPORTANT!** Protect the machine from the damp and never expose it to rain.
- 5 **IMPORTANT!** Always wear safety goggles, ear muffs, protective gloves and heavy-duty work clothes!
- 6 Always set the ON/OFF switch to OFF and pull the power plug out of the socket-outlet before doing any work on the shredder, e.g. cleaning the shredder and making adjustments, or if the power cable becomes damaged.
- 7 **Explanation of the safety switch on the debris box:**
The switch is in the "Lock is closed" position:
The shredded material debris box is locked. The shredder can be switched on.
The switch is in the "Lock is open" position:
The shredded material debris box is not locked and can be removed.
The shredder cannot be switched on.

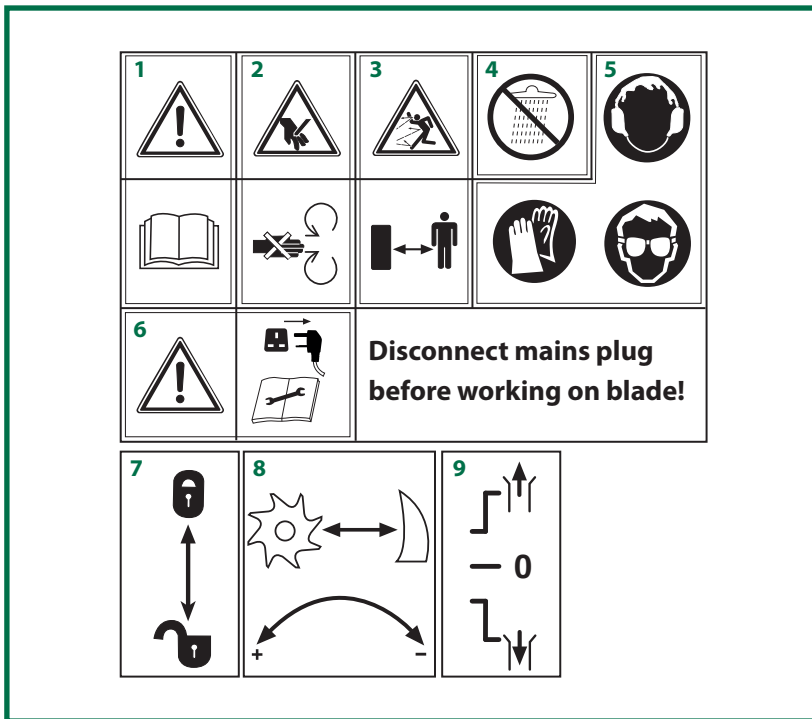


8 Explanation of the lever for adjusting the counter blade:

Turning clockwise reduces the distance between the cutting unit and the counter blade. Turning counter-clockwise increases the distance between the cutting unit and the counter blade.

9 Direction Selection switch: For a description of the changeover switch see point Fig 13/Item C.

CAUTION! The cutters continue to run for a few seconds after the motor is switched off.



This electric garden refuse shredder is designed only for shredding organic garden waste. Place biologically degradable material, e.g. leaves, branches, dead flowers etc., into the loading funnel inlet.

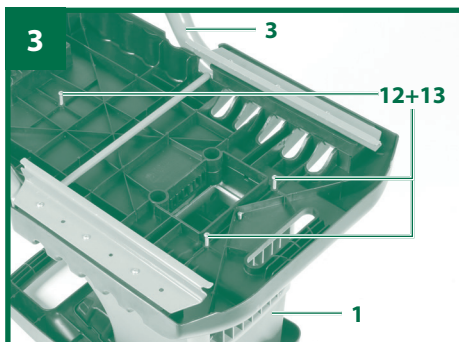
The machine is to be used only for its prescribed purpose. Any other use is deemed to be a case of misuse. The user/operator and not the manufacturer will be liable for any damage or injuries of any kind caused as a result of this.

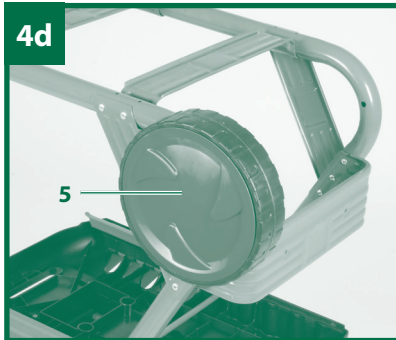
Please note that our equipment has not been designed for use in commercial, trade or industrial applications. Our warranty will be voided if the machine is used in commercial, trade or industrial businesses or for equivalent purposes.



Before Starting the Equipment **5**

- 1 Screw the motor unit (Fig. 3/Item 1) and the base frame (Fig. 3/Item 3) together. Use the screws (Fig. 3/Item 12) and washers (Fig. 3/Item 13) to do so (See Fig. 3) .
- 2 Fit the wheels to the base frame. To do so, slide one sleeve each into the hole in each of the wheels (Fig. 4a). Then insert one screw with one washer through each sleeve (Fig. 4b) and screw the wheels to the base frame (Fig. 4c). To do so, fit one washer in front of the tubular rod and one behind it. Press the wheel caps onto the wheels (Fig. 4d).





3 Fit the legs (Fig. 5/Item 11) to the base frame as shown in Fig. 5.



- 4 Slide the shredded material debris box into the mount with the safety switch (Fig. 6b/Item B) at the front as shown in Fig. 6a. Ensure that the shredded material debris box runs above the guide rails (Fig. 6a/Item A).
- 5 Lock the shredded material debris box with the safety switch (Fig. 6b/Item B) in position by pushing upwards.



Please observe the statutory regulations governing noise abatement during operating times, which may differ from town to town.

Mains connection

Connect the 13A plug on the mains cable to a suitable 13A socket of the mains electricity supply. Be sure to observe the relevant information in the safety instructions.

ON/OFF switch (Fig. 7/Items I/O)

- Press the green button "I" to switch on the shredder.
- Press the red button "O" to switch it off.

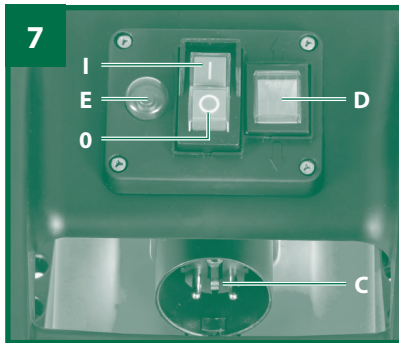
NOTE!

The device has a zero voltage switch. This prevents the device restarting unintentionally after a power failure.

Safety switch (Fig. 6b/Item B)

When using the device the shredded material debris box must be securely in position and the safety switch locked as shown in Fig. 6b.





Direction selection switch (Fig. 7/Item D)

IMPORTANT!

The switch for selecting the direction of rotation can only be moved when the shredder is switched off.

Direction Change Switch

Position "↓"

The material is automatically drawn in by the blade and shredded.

Position "↑"

The blade rotates in the opposite direction to release jammed material. After moving the selector switch to the "↑" position, press and hold the green button of the ON/OFF switch (I). The blade will start to rotate in the opposite direction. As soon as you release the ON/OFF switch, the shredder will stop automatically.

IMPORTANT!

Always wait until the shredder has reached a standstill before you switch it on again.



NOTE!

If the switch for selecting the direction of rotation is in its centre position, the motor will not start.

CAUTION!

Large items or pieces of wood will be discharged both in the cutting and in the release direction after the blade has been started and reversed several times.

Motor protection (Fig. 7/Item E)

An overload (for example if the blade is jammed) will cause the machine to cut out after a few seconds. To protect the motor from damage the motor protection switch stops the power supply automatically. Wait for at least one minute before you press the reset button so that you can restart the machine.

Then press the ON/OFF switch.

If the blade becomes jammed, turn the switch for selecting the direction of rotation to the position "↑" before you switch on the shredder again.



Practical tips

- Be sure to observe the safety instructions within this booklet.
- Wear work gloves, goggles and ear protection.
- Feed in the material you want to shred at the funnel on the side with the larger opening (Fig. 1/ Item 17).
- The material is drawn into the shredder automatically.

CAUTION!

Long pieces of material projecting out of the funnel inlet may whiplash when it is drawn in – keep a safe distance between yourself and the machine.

- Judge the quantity of material which you put into the funnel inlet so that the funnel does not clog.
- If you want to shred withered, damp material that has been lying in the garden for several days, alternate between putting in this material and dry branches. This will help to prevent the loading funnel becoming clogged with material.
- Do not shred soft waste (e.g. kitchen waste) – put it straight in the compost box.
- Entangled branches and leaves should be separated and shredded before loading any more material.
- Do not allow the discharge opening to become clogged with shredded material - risk of jamming.
- Do not cover the ventilation slits.
- Do not place heavy material or thick branches into the machine continuously. This may cause the blade to jam.



- Use a plunger or hook to remove jammed objects from the funnel or discharge openings.

IMPORTANT!

The material will be crushed, mashed and shredded by the cutting unit, thus accelerating the decomposition process for composting.

Emptying the shredded material debris box

The level of material in the shredded material debris box can be checked by looking through the clear box.

Always empty the shredded material debris box in good time to prevent it from overflowing. To empty it, proceed as follows:

- Switch off the device at the ON/OFF switch.
- Release the shredded material debris box. To do so, press the safety switch (Fig. 6b/Item B) down.
- Take the shredded material debris box out at the front.

Adjusting the counter blade (Fig. 8)

The counter blade and cutting unit are perfectly adjusted at the factory. Only if it suffers wear does the counter blade require adjustment (switch the machine on for this purpose). To ensure the best possible results from your shredder, the gap between the counter blade (item F) and the shredding blade (item G) should be approx. 0.50 mm.



There is an adjustment device on the right-hand side of the plastic housing for this purpose. Turn the knob clockwise so that the screw (item H) moves towards the shredding blade. After a half-turn the counter blade will have moved 0.50 mm closer to the shredding blade. After completing this adjustment check whether the blade produces the desired results.

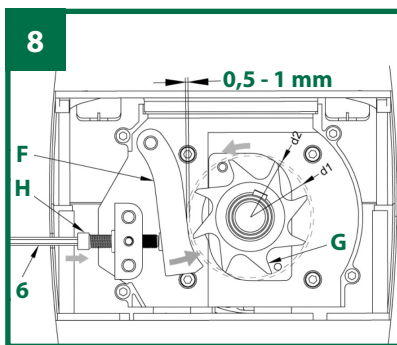
IMPORTANT!

If the shredding blade touches the counter blade, it will cut it and small metal chips may fall out of the discharge opening. This is not a fault, but it must only be adjusted as much as necessary since otherwise the counter blade will suffer premature wear. Therefore proceed with caution when making this adjustment.

When the counter blade cannot be adjusted any more, it has reached its wear limits and must be replaced.

IMPORTANT!

Wear work gloves!



Replacing the power cable

If the power cable for this equipment is damaged, it must be replaced by an electrician or similarly trained person to avoid danger.

Cleaning, maintenance and ordering of spare parts

Always pull out the mains power plug before starting any cleaning work.

Maintenance and storage

- Clean the machine regularly. This will help to keep the machine in good working order and is the basis for a long working life.
- Keep the vent slots clean while you work.
- Clean the plastic body and other plastic parts with a mild household cleaning agent and a damp cloth. Do not use any aggressive agents or solvents for cleaning purposes.
- Never clean the shredder by spraying with water.
- Prevent water getting inside the machine at all cost.
- Check the chassis securing screws from time to time to ensure that they are tight.
- If you do not intend to use the shredder for a lengthy period, protect it from corrosion using environmentally friendly oil.
- Store the device in a dry room.
- Store the device out of reach of children.



The equipment must be cleaned and protected at the end of the season

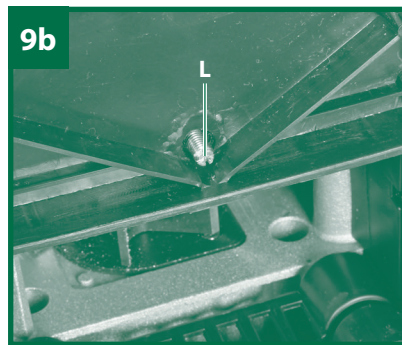
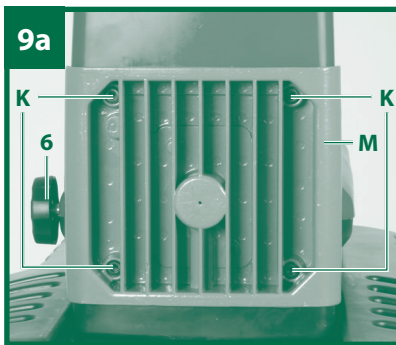
IMPORTANT!

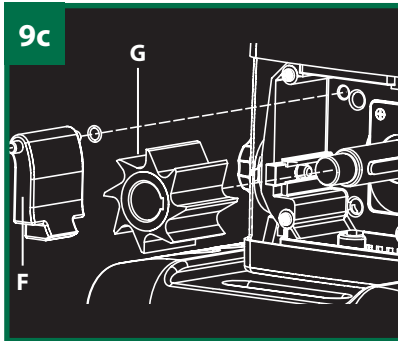
Wear work gloves!

Remove the plug from the mains. Unlock and remove the shredded material debris box. Loosen the knob (Fig. 9a/Item 6) anticlockwise by 5 turns, to release the cutter counter blade. Fully loosen the 4 Allen screws (Fig. 9a/Item K).

Note: The Allen screws can only be loosened, and not removed.

Fully loosen the retaining screw from underneath the base frame, and (Fig. 9b/Item L). Remove the cover (Fig. 9a/Item M) from the cutting unit. The counter blade (Fig. 9c/Item F) and the cutting unit (Fig. 9c/Item G), can now be removed and checked. Worn or damaged parts must be replaced. Use only the appropriate parts from the Manufacturer (see "Ordering replacement parts").





Clean the cutting compartment, the counter blade and the cutting unit and cover them with a thin coat of vegetable oil before installing everything again. At the beginning of the new season the counter blade must be correctly adjusted as described on page 25.

To assemble, proceed in the reverse order, making sure that the cutting blade is properly aligned (note the curvature of the blade teeth). Ensure all the screws are tight, and then re-adjust the counter blade as described on page 25.

Ordering replacement parts

Please quote the following data when ordering replacement parts:

- Type of machine
- Article number of the machine
- Identification number of the machine
- Replacement part number or description of the part required

For our latest prices and information please go to www.einhell.co.uk



Technical data

Voltage.....	230-240 V ~ 50 Hz
Power rating.....	2500 W (S6-40%)
.....	2000 W (S1)
Cutting unit idling speed.....	40 min
Branch diameter.....	max. 40 mm
Sound pressure level.....	83,6 db(A)
K uncertainty.....	3 dB(A)
Sound power level.....	91,8 db(A)
Weight.....	28.5 kg
Protection class.....	I

Keep the noise emissions and vibrations to a minimum

- Only use appliances which are in perfect working order.
- Service and clean the appliance regularly.
- Adapt your working style to suit the appliance.
- Do not overload the appliance.
- Have the appliance serviced whenever necessary.
- Switch the appliance off when it is not in use.
- Wear protective gloves.

Residual risks

Even if you use this electric power tool in accordance with instructions, certain residual risks cannot be ruled out. The following hazards may arise in connection with the equipment's construction and layout:

- 1 Damage to hearing if no suitable ear protection is used.

- 2 Health damage caused by hand-arm vibrations if the equipment is used over a prolonged period or is not properly guided and maintained.

Given unfavorable conditions in the power supply the equipment may cause the voltage to drop temporarily. If the supply impedance "Z" at the connection point to the public power supply exceeds 0.399Ω it may be necessary to take further measures before the equipment can be used as intended from this power supply. If necessary, you can ask your local electricity supply company for the impedance value.

Disposal and recycling

The unit is supplied in packaging to prevent it being damaged in transit. This packaging is raw material and can therefore be reused or can be returned to the raw material system.

The unit and its accessories are made of various types of material, such as metal and plastic. Defective components must be disposed of as special waste. Ask your dealer or your local council.



Troubleshooting

The motor does not start	Power failure.	Check the mains lead, plug and fuse.
	Motor circuit breaker has been triggered.	Press the Reset button (see page 23).
	The safety switch is not making contact.	Insert the debris box correctly and push the safety switch upwards until it engages
	The switch for selecting the direction of rotation is in its centre position.	Set the direction of rotation on the switch.
Material is not drawn in by the shredder	The shredding blade is running in reverse.	Change the direction of rotation.
	Material blockage in the filling funnel.	Change the direction of rotation and pull the material out of the funnel. Feed in thick branches again so that the blade does not immediately engage again in the notches it previously cut.
	The shredding blade is jammed.	Change the direction of rotation. The blade will now release the jammed material.
The material is not shredded properly	The counter blade is not set correctly.	Adjust the counter blade. See page 25 for how to do so.



FAQ

How do I claim for a warranty matter?	<ol style="list-style-type: none">1. Fill in the Warranty card and send to the Einhell UK Ltd Address.2. Contact Einhell UK Ltd, using one of the Telephone numbers for AFTER SALES SUPPORT.3. Or contact via the Einhell UK Ltd website.
How do I obtain spare parts (not covered by the warranty)?	<p>Make sure you have the information from the product data label, or page 20 of this manual, and then: -</p> <ol style="list-style-type: none">1. Contact Einhell UK Ltd, using one of the Telephone numbers for AFTER SALES SUPPORT, and choose the option for Spare Parts.2. Or contact via the Einhell UK Ltd website, where spares information & prices are available.
What do I do if I accidentally cut the mains cable?	<p>To avoid danger, immediately unplug from the mains supply and get an electrician or suitably qualified person to: -</p> <ol style="list-style-type: none">1. Fit a waterproof connector to re-join the cable.2. Or replace the mains cable into the unit.





For EU countries only

Never place any electric tools in your household refuse.

To comply with European Directive 2012/19/EU concerning old electric and electronic equipment and its implementation in national laws, old electric tools have to be separated from other waste and disposed of in an environment-friendly fashion, e.g. by taking to a recycling depot.

Recycling alternative to the demand to return electrical devices: As an alternative to returning the electrical device, the owner is obliged to cooperate in ensuring that the device is properly recycled if ownership is relinquished. This can also be done by handing over the used device to a returns centre, which will dispose of it in accordance with national commercial and industrial waste management legislation. This does not apply to the accessories and auxiliary equipment which are included with the used device.

The reprinting or reproduction by any other means, in whole or in part, of documentation and papers accompanying products is permitted only with the express consent of Einhell UK Ltd.



Warranty Certificate

8

Dear Customer,

09/2014

All of our products undergo strict quality checks to ensure that they reach you in perfect condition. In the unlikely event that your garden shredder develops a fault, please contact our service department at the address shown on this warranty card. You can also contact us by telephone using the service number shown below. Please note the following terms under which warranty claims can be made:

1. Our warranty covers only problems caused by material or manufacturing defects, and it is restricted to the rectification of these defects or the replacement of the equipment.

It does not cover replacement work for transport damage, damage caused by failure to follow the assembly and operating instructions, damage through misuse or incorrect applications, damage caused by failure to follow the maintenance and safety instructions, damage resulting from the use of force and external effects, or the normal wear and tear which arises during the proper use of the product.

The warranty is rendered null and void if any attempt is made to tamper with the equipment.

2. No warranty claims will be accepted after the end of the warranty period. This also applies if an on-site service is used.

The warranty is valid for a period of three years starting from the purchase date. Keep your sales receipt in a safe place, as it is your proof of purchase.

Your statutory rights are not affected by this warranty. During the warranty period you can report defective equipment by phone or by writing to the service address below. We will arrange as soon as possible for the defective equipment to be picked up from your address at no charge and will then supply you with a new or repaired replacement free of charge. Of course you can also return the defective equipment to the address below yourself (carriage forward).

Please prepare the equipment for the pick-up service (pack it in the original box or comparable box). You can make the arrangements for the pick-up yourself at the website below.

Please note that you or someone acting on your behalf must be available throughout the pick-up day. Don't forget to specify a pick-up address.

During non-office hours you can leave your phone number and we will call you back on the next work day.

After the warranty period has elapsed you can still send a defective item to the address below for repair. Repairs undertaken after the warranty period has ended will normally incur a charge.

Einhell UK Ltd
Unit 9, Stadium Court
Wirral International Business Park
Plantation Road, Bromborough
CH62 3QG
www.einhell.co.uk/warranty

Garden Shredder

IMPORTANT!

KEEP THIS FORM SAFE: Only complete and return this form to the address below in the unlikely event of a warranty claim, if you are requested by the manufacturer to return the item for replacement. Then please complete this form and send it together with your receipt (proof of purchase) to the address below.

Your details:

Name _____

Address _____

 _____ E-Mail _____

Date of purchase* _____

*We recommend you keep the receipt with this warranty card

Location of purchase _____

Description of malfunction:

Return your completed warranty card to:

Einhell UK Ltd
Unit 9, Stadium Court
Wirral International Business Park
Plantation Road
Bromborough
CH62 3QG

www.einhell.co.uk/warranty

AFTER SALES SUPPORT

 0151 649 1500  www.einhell.co.uk
1890 946 244

MODEL: GLLH 2546 • 91514 • 09/2014

3

YEAR WARRANTY

36



Konformitätserklärung

- D** erklårt folgende Konformität gemäß EU-Richtlinie und Normen für Artikel
- GB** explains the following conformity according to EU directives and norms for the following product
- F** déclare la conformité suivante selon la directive CE et les normes concernant l'article
- I** dichiara la seguente conformità secondo la direttiva UE e le norme per l'articolo
- NL** verklaart de volgende overeenstemming conform EU richtlijn en normen voor het product
- E** declara la siguiente conformidad a tenor de la directiva y normas de la UE para el artículo
- P** declara a seguinte conformidade, de acordo com a directiva CE e normas para o artigo
- DK** attesterer følgende overensstemmelse i medfør af EU-direktiv samt standarder for artikel
- S** förklarar följande överensstämmelse enl. EU-direktiv och standarder för artikeln
- FIN** vakuuttaa, että tuote täyttää EU-direktiivin ja standardien vaatimukset
- EE** tõendab toote vastavust EL direktiivile ja standarditele
- CZ** vydává následující prohlášení o shodě podle směrnice EU a norem pro výrobek
- SLO** potrjuje sledečo skladnost s smernico EU in standardi za izdelek
- SK** vydáva nasledujúce prehlásenie o zhode podľa smernice EÚ a noriem pre výrobok
- H** a cikkekhez az EU-irányvonal és Normák szerint a következő konformitást jelenti ki
- PL** deklaruje zgodność wymienionego poniżej artykułu z następującymi normami na podstawie dyrektywy WE.
- BG** декларира съответното съответствие съгласно Директива на ЕС и норми за артикул
- LV** paskaidro šādu atbilstību ES direktīvai un standartiem
- LT** apibūdina šį atitikimą EU reikalavimams ir prekės normoms
- RO** declară următoarea conformitate conform directivei UE și normelor pentru articolul
- GR** δηλώνει την ακόλουθη συμμόρφωση σύμφωνα με την Οδηγία ΕΚ και τα πρότυπα για το προϊόν
- HR** potvrđuje sljedeću usklađenost prema smjernicama EU i normama za artikl
- BIH** potvrđuje sljedeću usklađenost prema smjernicama EU i normama za artikl
- RS** potvrđuje sledeću usklađenost prema smernicama EZ i normama za artikl
- RUS** следующим образом удостоверяется, что следующие продукты соответствуют директивам и нормам ЕС
- UKR** проголошує про зазначену нижче відповідність виробу директивам та стандартам ЄС на виріб
- MK** ja izjavуva slednata soobraznost согласно EU-direktivata i normite za artikli
- TR** Ürünü ile ilgili AB direktifleri ve normları gereğince aşağıda açıklanan uygunluğu belirtir
- N** erklærer følgende samsvar i henhold til EU-direktivet og standarder for artikkel
- IS** Lýsir uppfyllingu EU-reglna og annarra staðla vöru

Garden Shredder GLLH 2546 (Gardenline)

- | | |
|---|---|
| <input type="checkbox"/> 87/404/EC_2009/105/EC | <input checked="" type="checkbox"/> 2006/42/EC |
| <input type="checkbox"/> 2005/32/EC_2009/125/EC | <input type="checkbox"/> Annex IV |
| <input type="checkbox"/> 2006/95/EC | Notified Body: |
| <input type="checkbox"/> 2006/28/EC | Notified Body No.: |
| <input checked="" type="checkbox"/> 2004/108/EC | Reg. No.: |
| <input type="checkbox"/> 2004/22/EC | <input checked="" type="checkbox"/> 2000/14/EC_2005/88/EC |
| <input type="checkbox"/> 1999/5/EC | <input checked="" type="checkbox"/> Annex V |
| <input type="checkbox"/> 97/23/EC | <input type="checkbox"/> Annex VI |
| <input type="checkbox"/> 90/396/EC_2009/142/EC | Noise: measured $L_{WA} = 91,8$ dB (A); guaranteed $L_{WA} = 95$ dB (A) |
| <input type="checkbox"/> 89/686/EC_96/58/EC | $P = 2,5$ kW (S6-40%) / 2 kW (S1); $L/D =$ cm |
| <input checked="" type="checkbox"/> 2011/65/EU | Notified Body: |
| | <input type="checkbox"/> 2004/26/EC |
| | Emission No.: |

**Standard references: EN 13683; EN 60335-1; EN 62233;
EN 55014-1; EN 55014-2; EN 61000-3-2; EN 61000-3-11**

Landau/Isar, den 23.04.2014


Weichselgartner/General-Manager


Gao/Product-Management

First CE: 13
Art.-No.: 34.305.97 I.-No.: 11014
Subject to change without notice

Archive-File/Record: NAPR010170
Documents registrar: Alexander Scheiff
Wiesenweg 22, D-94405 Landau/Isar



EH 05/2014 (01)