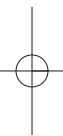




© Original operating Instructions  
**Scroll Saw**

**Einhell®**

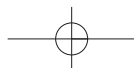


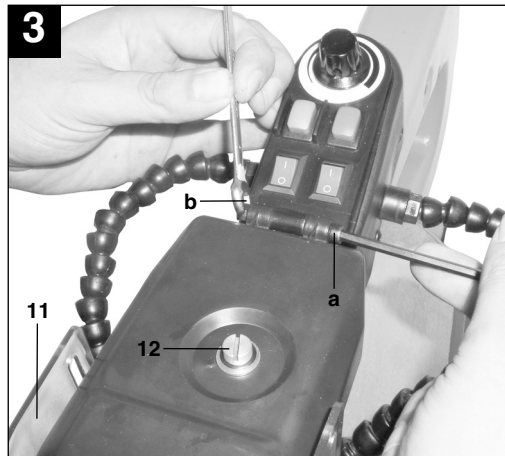
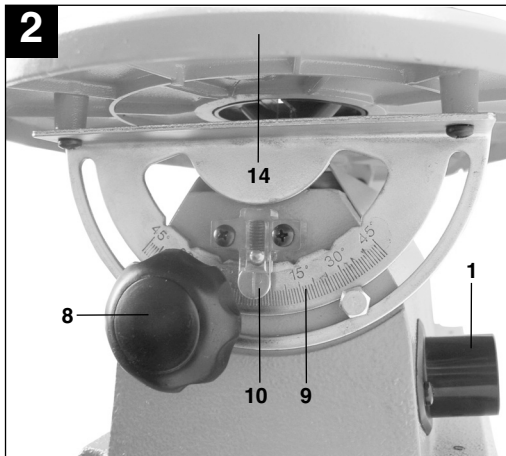
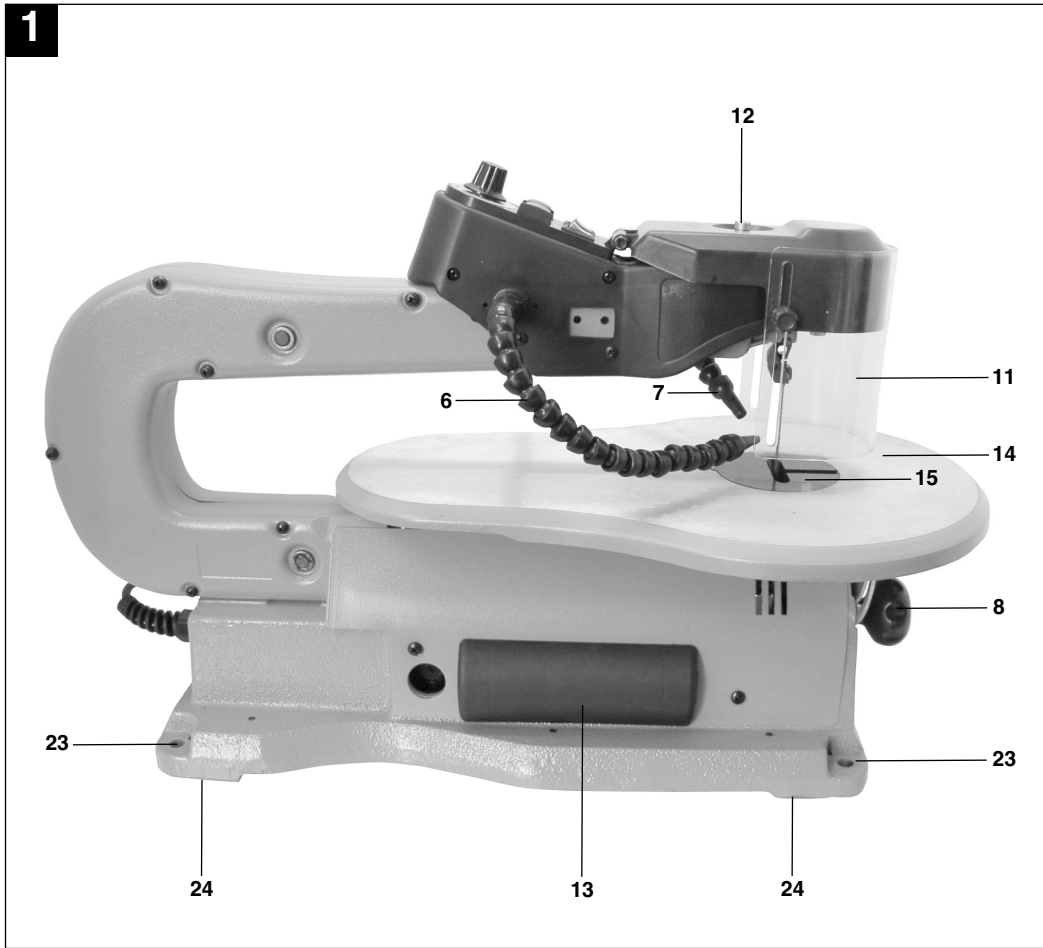
**1**

**Art.-Nr.: 43.090.34**

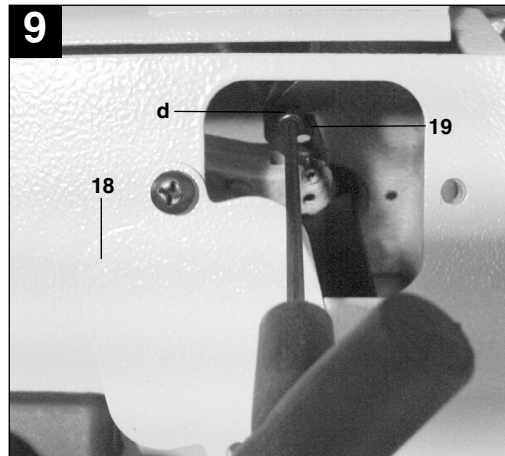
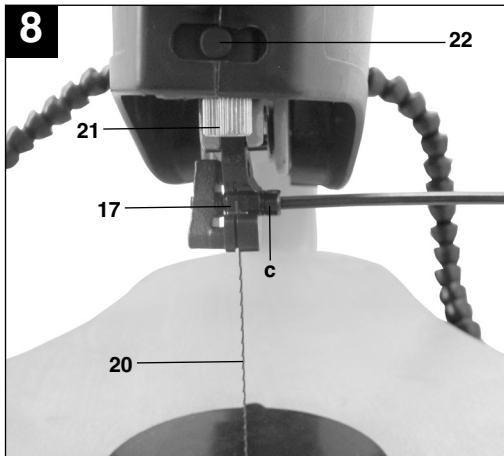
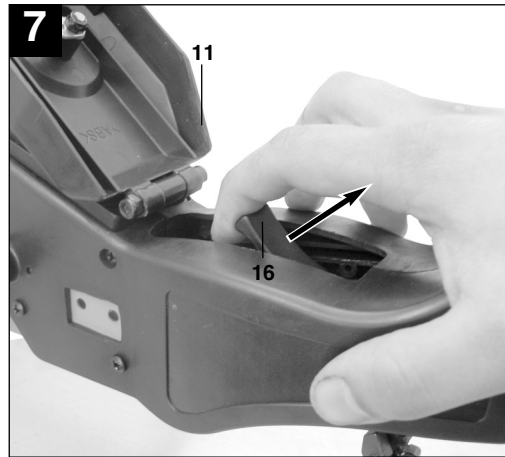
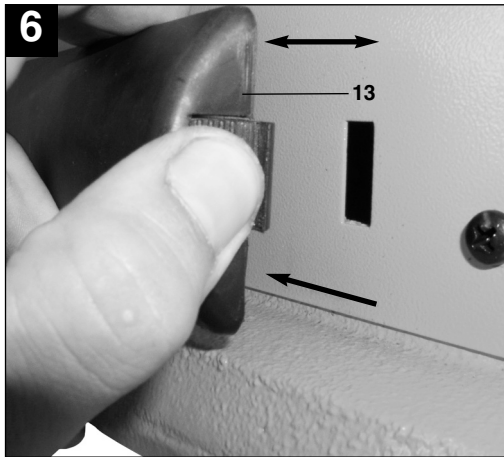
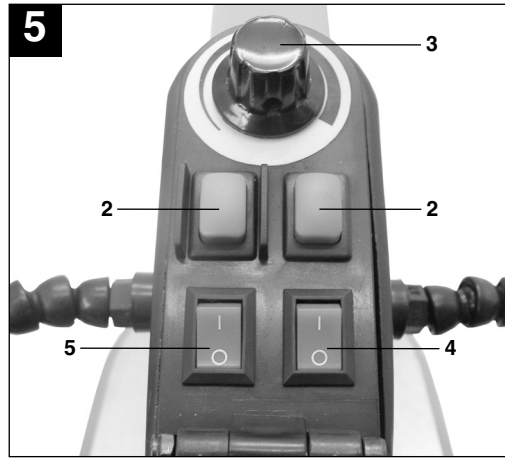
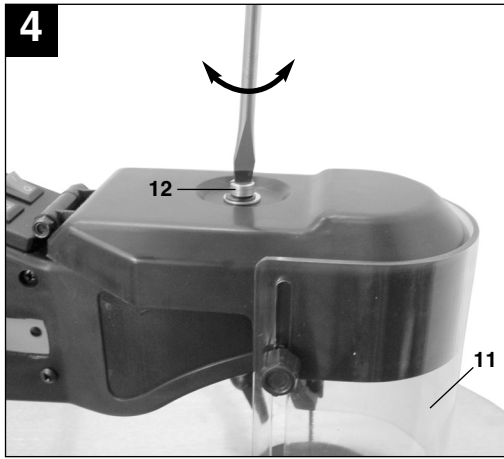
**I.-Nr.: 11012**

**RT-SS 120 L**





2



**⚠ Important!**

When using equipment, a few safety precautions must be observed to avoid injuries and damage. Please read the complete operating manual with due care. Keep this manual in a safe place, so that the information is available at all times. If you give the equipment to any other person, give them these operating instructions as well.

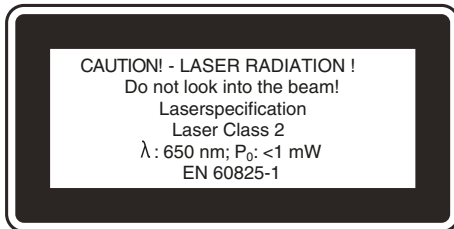
We accept no liability for damage or accidents which arise due to non-observance of these instructions and the safety information.

**1. Safety regulations**

The corresponding safety information can be found in the enclosed booklet.



**Caution:**  
**Laser radiation.**  
**Do not look into the beam!**  
**Laser class 2**



Protect yourself and your environment from accidents by taking the appropriate precautionary measures.

- Do not look directly into the laser beam with the naked eye.
- Never look directly into the laser path.
- Never direct the laser beam at reflecting surfaces, persons or animals. Even a low output laser beam can inflict injury on the eye.
- Caution: It is vital to follow the work procedures described in these instructions. Using the tool in any other way may result in hazardous exposure to laser radiation.
- Never open laser module.

**2. Layout (Fig. 1-2)**

- 1 Vacuum extractor unit adapter
- 2 ON/OFF switch
- 3 Speed regulator
- 4 ON/OFF switch for LED light
- 5 ON/OFF switch for laser
- 6 Blow-off device
- 7 LED light
- 8 Locking screw
- 9 Scale
- 10 Pointer
- 11 Saw blade guard
- 12 Holding screw
- 14 Storage compartment for saw blade
- 14 Sawing table
- 15 Sawing table insert
- 14 Clamping lever for saw blade
- 17 Saw blade holder, top
- 18 Inspection flap
- 19 Saw blade holder, bottom
- 20 Saw blade
- 21 Laser
- 22 Adjusting screw for laser
- 23 Assembly holes
- 24 Rubber feet

**Items supplied**

- Fretsaw
- Saw blade guard
- Assembly tool

**3. Proper use**

The fretsaw is intended for cutting square-edged timber or wood-like workpieces. Round materials may only be cut with suitable holding devices.

The machine is to be used only for its prescribed purpose. Any other use is deemed to be a case of misuse. The user / operator and not the manufacturer will be liable for any damage or injuries of any kind caused as a result of this.

Please note that our equipment has not been designed for use in commercial, trade or industrial applications. Our warranty will be voided if the machine is used in commercial, trade or industrial businesses or for equivalent purposes.

The equipment is to be operated only with suitable saw blades. It is prohibited to use any type of cutting-off wheel. To use the equipment properly you must

**GB**

also observe the safety regulations, the assembly instructions and the operating instructions to be found in this manual.

All persons who use and service the equipment have to be acquainted with this manual and must be informed about the machine's potential hazards.

It is also imperative to observe the accident prevention regulations in force in your area.

The same applies for the general rules of health and safety at work.

The manufacturer will not be liable for any changes made to the machine nor for any damage resulting from such changes.

Even when the equipment is used as prescribed it is still impossible to eliminate certain residual risk factors. The following hazards may arise in connection with the machine's construction and design:

- Harmful emissions of wood dust when used in closed rooms.
- Contact with the blade in the uncovered cutting zone.
- Injuries (cuts) when changing the blade.
- Crushed fingers.
- Kickback.
- Tilting of the workpiece due to inadequate support.
- Touching the blade.
- Catapulting of pieces of timber and workpieces.

#### 4. Technical data

Mains voltage	230 V ~ 50Hz
Power	70/120 Watt
Operating mode	S1/S2 5 min
Idle speed $n_0$	400-1600 min <sup>-1</sup>
Protection type	IP 20
Stroke	15 mm
Base area	470 x 190 mm
Tilting range of table	-45°/0°/45°
Size of table	420 x 270 mm
Length of saw blade	127 mm
Max. cutting length at 90°	50 mm
Max. cutting length at 45°	20 mm
Weight	18 kg
Wavelength of laser	650 nm
Laser output	< 1 mW

Load factor:

A load factor of S2 5 min (intermittent periodic duty) means that you may operate the motor continuously at its nominal power level (120 W) for no longer than the time stipulated on the specifications label (5 minutes ON period). If you fail to observe this time limit the motor will overheat. During the OFF period the motor will cool again to its starting temperature.

#### Noise emission values

The noise emission values were measured in accordance with EN 61029.

	Functions
Sound pressure level $L_{pA}$	82.6 dB(A)
$K_{pA}$ uncertainty	3 dB
Sound power level $L_{WA}$	92.4 dB(A)
$K_{WA}$ uncertainty	3 dB

#### Wear ear-muffs.

The impact of noise can cause damage to hearing.

Keep the noise emissions and vibrations to a minimum.

- Only use appliances which are in perfect working order.
- Service and clean the appliance regularly.
- Adapt your working style to suit the appliance.
- Do not overload the appliance.
- Have the appliance serviced whenever necessary.
- Switch the appliance off when it is not in use.

#### Residual risks

Even if you use this electric power tool in accordance with instructions, certain residual risks cannot be ruled out. The following hazards may arise in connection with the equipment's construction and layout:

1. Lung damage if no suitable protective dust mask is used.
2. Damage to hearing if no suitable ear protection is used.

#### 5. Before starting the equipment

##### 5.1 Please note

- All covers and safety devices have to be properly fitted before the machine is switched on.
- It must be possible for the blade to run freely.
- When working with wood that has been processed before, watch out for foreign bodies

such as nails or screws etc.

- Before you actuate the On/Off switch, make sure that the saw blade is correctly fitted and that the machine's moving parts run smoothly.
- Before you connect the machine to the power supply, make sure the data on the rating plate is the same as that for your mains.

## 5.2 Mounting the saw on a workbench

1. It is better to mount the saw on a solid wood workbench rather than on a weak plywood stand where vibrations and noise are certain to be a nuisance.
2. The tools and hardware needed to mount the saw on a work bench are not supplied with the saw. Be sure to use equipment of at least the following size:

Item	Quantity
Hex screws M8	4
Gaskets Ø 8 mm	4
Washers Ø 8 mm	4
Hex nuts M8	8

3. Use the provided assembly holes (23) to assemble the device. Do not tighten the screws too strongly. Leave sufficient play for the rubber feet (24) to be able to absorb properly.

## 5.3 Assembly

Caution! Pull out the power plug before carrying out any maintenance and conversion work on your fretsaw.

### 5.3.1 Fitting the saw blade guard (Fig. 3/4)

- Fit the saw blade guard (11) using the Allen screw (a) and the nut (b), as shown in Fig. 3.
- Lock the saw blade guard (11) in position with the holding screw (12), as shown in Fig. 4.

### 5.3.2 Changing the saw blade (Fig. 7/9)

- Unlock the saw blade guard (11) as described in 5.3.1. Swing the saw blade guard (11) towards the back. Pull the saw blade clamping lever (16) up in order to release the tension from the saw blade (20).
- Undo the Allen screw (c) on the top saw blade holder (17). Open the inspection flap (18). Undo the Allen screw (d) on the bottom saw blade holder (19). Pull the saw blade (20) out through the table insert (15).
- Fit the new saw blade by following the above instructions in reverse.
- The universal saw blade holders (17/19) permit the use of both fretsaw blades and coping saw blades.

Important! Always fit the saw blade with the teeth facing in the direction of the sawing table (14)!

### 5.3.3 Positioning the sawing table at an angle (Fig. 2)

- Undo the locking screw (8).
- Tilt the sawing table (14) to the left or right until the pointer (10) coincides with the required angle value on the degree scale (9).

**Important: For precision work you should first carry out a trial cut and then re-adjust the tilt angle as required.**

## 6. Operation

### 6.1 Please note:

- Your saw does not cut wood automatically. For cutting to occur, you have to guide the wood against the blade.
- The teeth cut only on the down stroke of the blade.
- You have to guide the wood slowly against the blade because the teeth are very small.
- Every new user needs a certain training period. You are certain to break a number of blades at the beginning.
- When cutting thick timber, be particularly careful not to bend or twist the blade. This will help to prolong blade life.

### 6.2 On/Off switch (Fig. 5 / Item 2)

- Press the green button to switch the saw on.
- Press the red button to switch the machine off.

**Please note: The machine is equipped with a safety switch to prevent it being switched on again accidentally after a power failure.**

### 6.3 Blade speed regulator (3)

The blade speed regulator allows you to set the blade speed appropriate to the material to be cut.

### 6.4 Carrying out internal cuts

1. A feature of this fretsaw is that it allows you to carry out internal cuts in a panel without damaging it on the outside or circumference.

**WARNING: TO PREVENT INJURIES DUE TO THE SAW STARTING UP ACCIDENTALLY, ALWAYS SET THE SWITCH TO „0“ POSITION AND PULL THE POWER PLUG OUT OF THE SOCKET-OUTLET BEFORE YOU REMOVE OR CHANGE THE BLADE.**

**GB**

2. To carry out internal cuts in a panel: Remove the blade as described in Section 5.3.2
3. Drill a hole in the panel in question.
4. Place the panel on the saw table with the drilled hole above the access hole.
5. Install the blade through the hole in the panel and adjust the blade tension.
6. When you have completed the internal cuts, remove the blade from the blade holders (as described in Section 5.3.2) and take the panel off the table.

#### 6.5 Operating the LED light (Fig. 1/5)

- Switch the machine on as described in 6.2.
- The LED light (7) can now be switched on and off with the switch (4).

#### 6.6 Operating the laser (Fig. 8/21)

- Switch the machine on as described in 6.2.
- The laser (21) can now be switched on and off with the switch (5).
- Unlock the saw blade guard (11) as described in 5.3.1. Swing the saw blade guard (11) towards the back.
- The laser line (21) projected onto the workpiece can now be adjusted using the laser adjusting screw (22). To do so, undo the laser adjusting screw (22) and adjust the laser (21) as required. Then retighten the laser adjusting screw (22) firmly.

Important! Always use the laser adjusting screw (22) to adjust the laser line, never the laser itself!  
Risk of injury from the moving saw blade.

#### 6.7 Storage of the saw blade (Fig. 6)

- Saw blades can be stored in the saw blade storage compartment (13) whenever they are not required. To open and close the saw blade storage compartment (13), please refer to Fig. 6.

## 7. Cleaning, maintenance and ordering of spare parts

Always pull out the mains power plug before starting any cleaning work.

### 7.1 Cleaning

- Keep all safety devices, air vents and the motor housing free of dirt and dust as far as possible. Wipe the equipment with a clean cloth or blow it with compressed air at low pressure.
- We recommend that you clean the device immediately each time you have finished using it.

- Clean the equipment regularly with a moist cloth and some soft soap. Do not use cleaning agents or solvents; these could attack the plastic parts of the equipment. Ensure that no water can seep into the device.

### 7.2 Carbon brushes

In case of excessive sparking, have the carbon brushes checked only by a qualified electrician. Important! The carbon brushes should not be replaced by anyone but a qualified electrician.

### 7.3 Maintenance

There are no parts inside the equipment which require additional maintenance.

### 7.4 Ordering replacement parts:

Please quote the following data when ordering replacement parts:

- Type of machine
  - Article number of the machine
  - Identification number of the machine
  - Replacement part number of the part required
- For our latest prices and information please go to [www.einhell.com.au](http://www.einhell.com.au)

## 8. Disposal and recycling

The unit is supplied in packaging to prevent its being damaged in transit. This packaging is raw material and can therefore be reused or can be returned to the raw material system.

The unit and its accessories are made of various types of material, such as metal and plastic. Defective components must be disposed of as special waste. Ask your dealer or your local council.

The guarantee provided in this Guarantee Certificate is given by Einhell Australia Pty Limited  
ACN 134 632 858 of 6/166 Wellington Street, Collingwood, Victoria (Telephone number 1300 922 271)  
(Einhell Express Guarantee).

## GUARANTEE CERTIFICATE

Dear Customer,

All of our products undergo strict quality checks. In the unlikely event that your device develops a fault, please contact our service department at the address shown on this guarantee certificate. Of course, if you would prefer to call us then we are also happy to offer our assistance under the service number printed below. Please note the following terms under which claims under the Einhell Express Guarantee can be made:

1. The benefits conferred by the Einhell Express Guarantee are in addition to all rights and remedies which you may be entitled to under the Australian Consumer Law, and any other statutory rights you may have under other applicable laws. This Einhell Express Guarantee does not exclude, restrict or modify any such rights or remedies.

We do not charge you for the Einhell Express Guarantee.

2. Our goods come with guarantees that cannot be excluded under the Australian Consumer Law. You are entitled to a replacement or refund for a major failure and for compensation for any other reasonably foreseeable loss or damage. You are also entitled to have the goods repaired or replaced if the goods fail to be of acceptable quality and the failure does not amount to a major failure.
3. The Einhell Express Guarantee only covers problems caused by material or manufacturing defects, and our liability under the Einhell Express Guarantee is limited, at our discretion, to the rectification of these defects or replacement of the product. Please note that the product has not been designed for use in commercial, trade or industrial applications. Consequently, the Einhell Express Guarantee will not apply if the product is used in commercial, trade or industrial applications or for other equivalent activities.
4. The following are also excluded from the Einhell Express Guarantee: compensation for transport damage, damage caused by failure to comply with the installation/assembly instructions or damage caused by unprofessional installation, failure to comply with the operating instructions (e.g. connection to the wrong mains voltage or current type), misuse or inappropriate use (such as overloading of the product or use of non-approved tools or accessories), failure to comply with the maintenance and safety regulations, ingress of foreign bodies into the product (e.g. sand, stones or dust), effects of force or external influences (e.g. damage caused by the product being dropped) and normal wear resulting from proper operation of the product. The Einhell Express Guarantee will also not apply if any attempt is made to tamper with the product.
5. The Einhell Express Guarantee is valid for a period of 2 years starting from the purchase date of the product. Claims made under the Einhell Express Guarantee should be submitted before the end of this guarantee period and within two weeks of the defect being noticed. No claims under the Einhell Express Guarantee will be accepted if submitted after the end of this guarantee period. The original guarantee period remains applicable to the device even if repairs are carried out or parts are replaced. In such cases, the work performed or parts fitted will not result in an extension of the guarantee period for the Einhell Express Guarantee, and the Einhell Express Guarantee will not apply for the work performed or parts fitted. This also applies when an on-site service is used.
6. To make a claim under the Einhell Express Guarantee, please send the relevant product postage-free to the address shown below and enclose either the original or a copy of your sales receipt or another dated proof of purchase. It would help us if you could describe the nature of the problem in as much detail as possible. If the defect is covered by the Einhell Express Guarantee, your product will be repaired immediately and returned to you, or we will send you a new device (at our election).

Any costs incurred by you in making a claim under this Einhell Express Guarantee, unless specified otherwise in this guarantee certificate, must be borne by you.

Of course, we are also happy to offer a chargeable repair service for any defects which are not covered by the scope of the Einhell Express Guarantee or for products which are no longer covered by the Einhell Express Guarantee. To take advantage of this service, please send the product to our service address.

EINHELL AUSTRALIA PTY LTD  
6/166 Wellington Street  
Collingwood VIC 3066  
Australia  
Phone: 1300 922 271