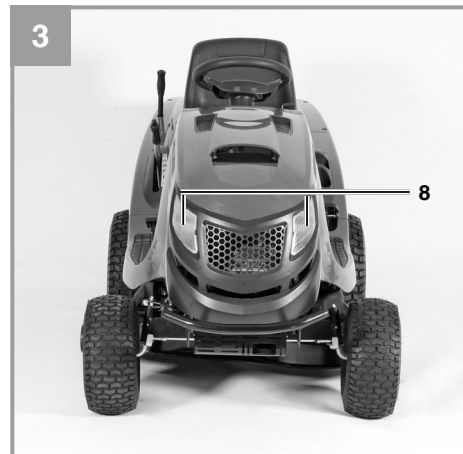
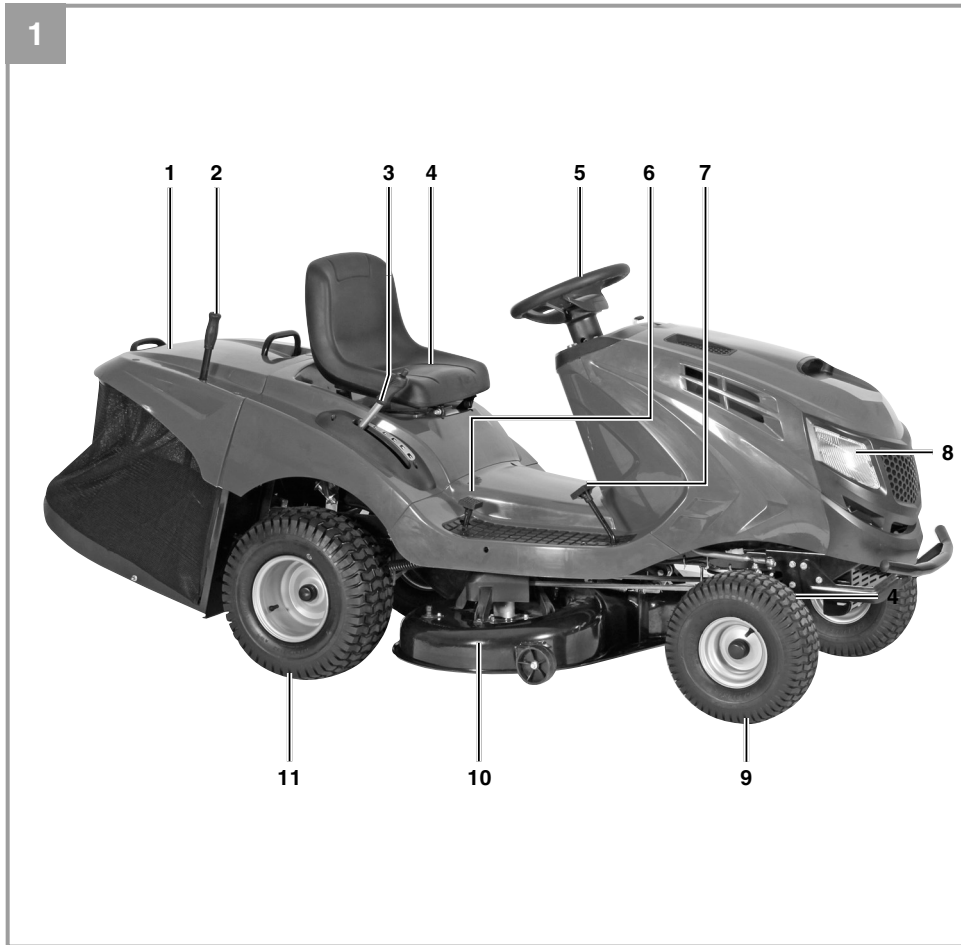


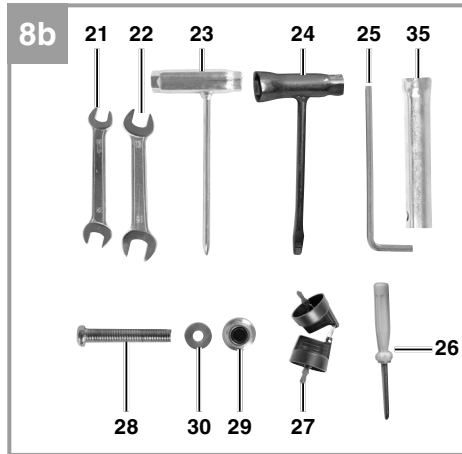
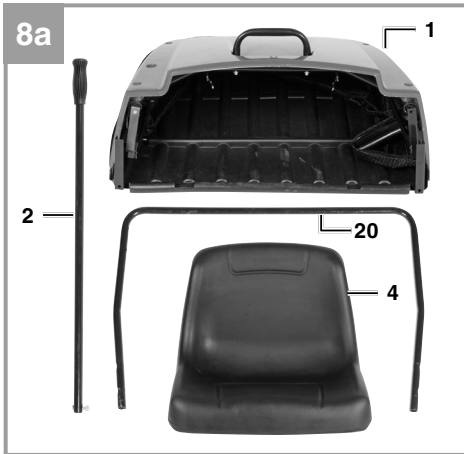
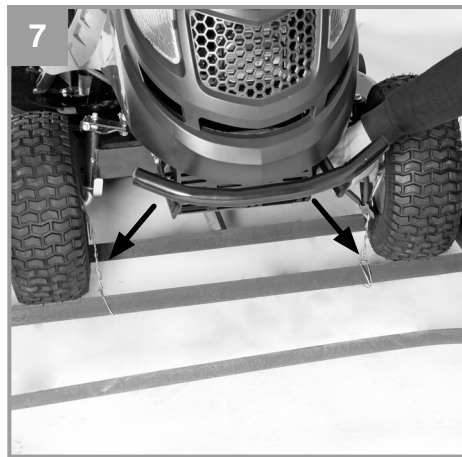
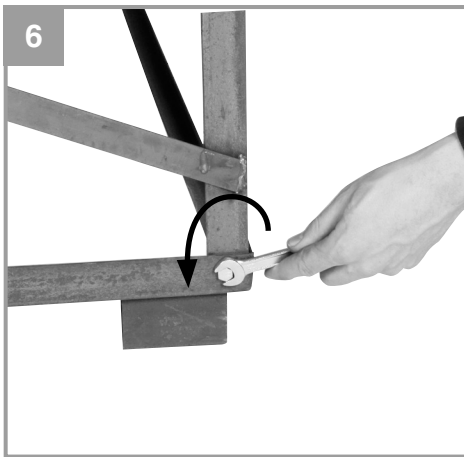
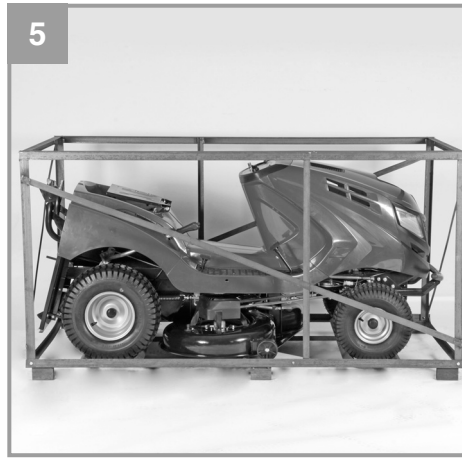
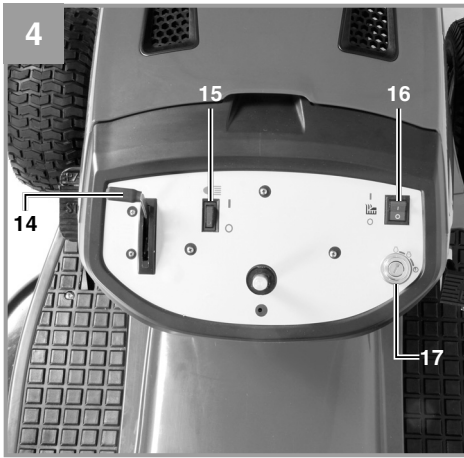

Einhell®
GE-TM 102 B&S

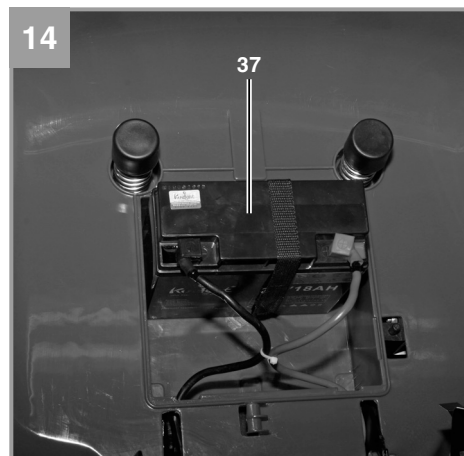
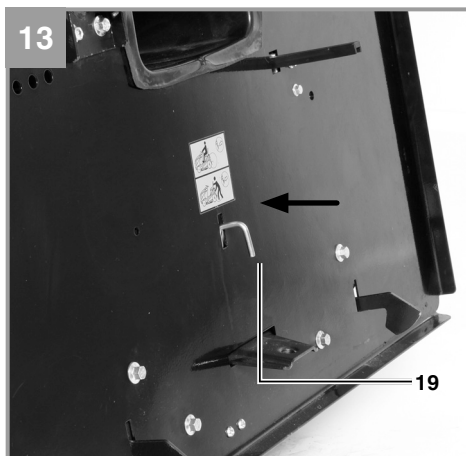
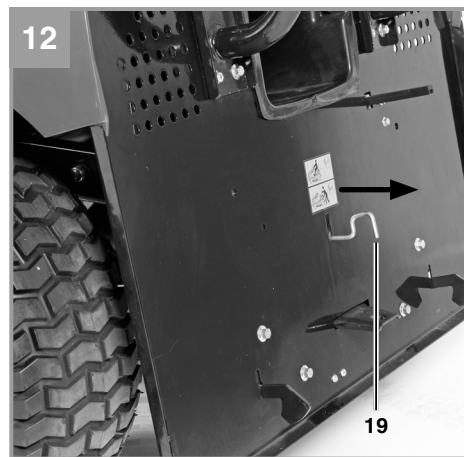
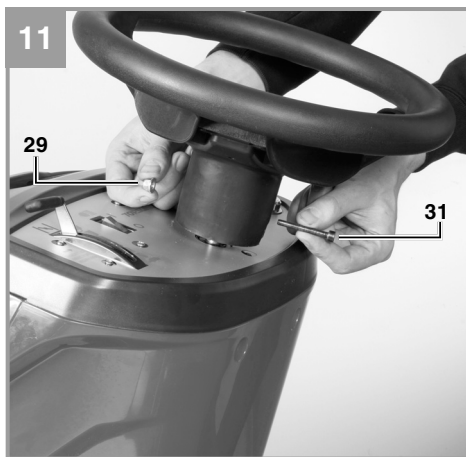
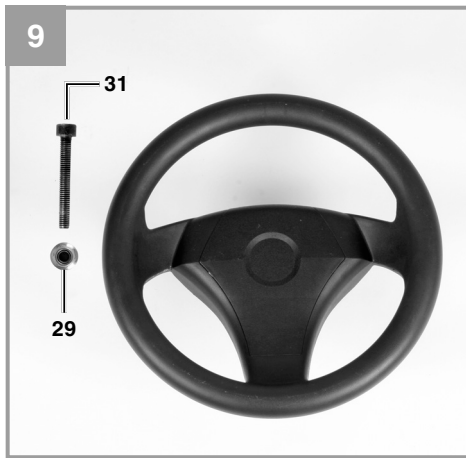
-
- E** Imágenes del producto del manual
de instrucciones original
Tractor cortacésped
- GB** Product Illustrations for the
Original Operating Instructions
Lawn Tractor

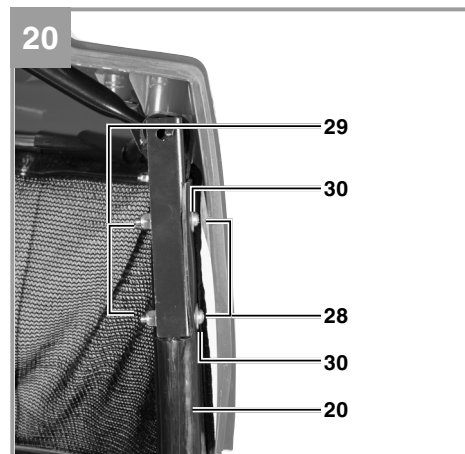
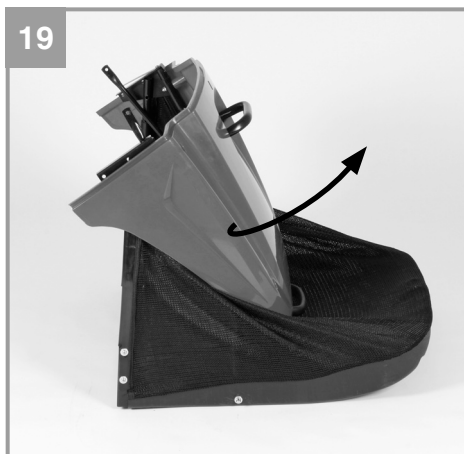
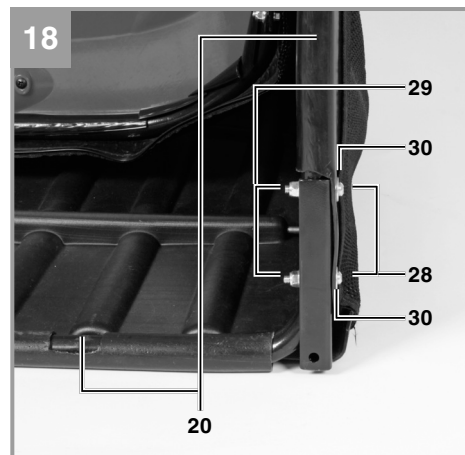
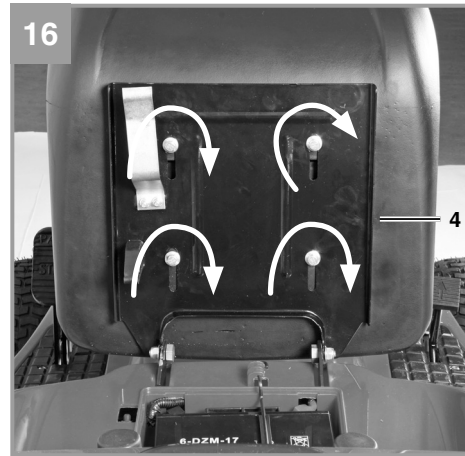
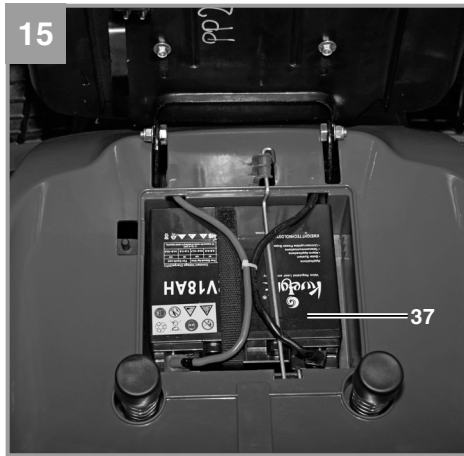


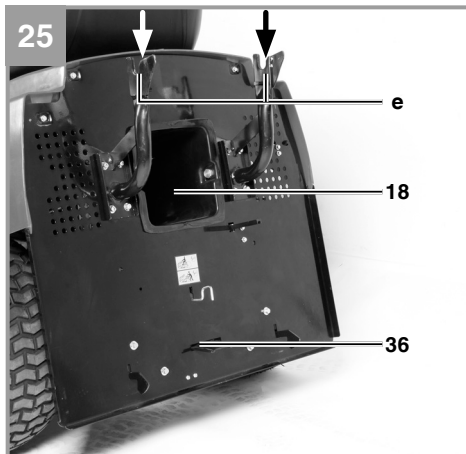
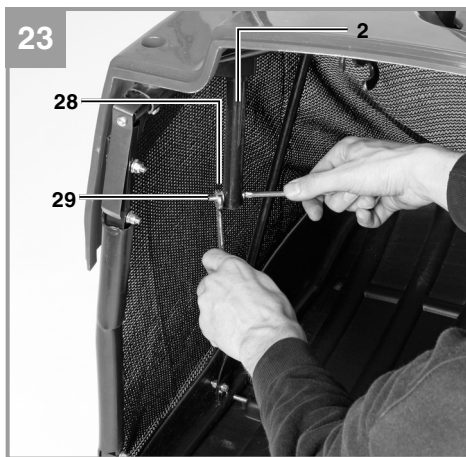
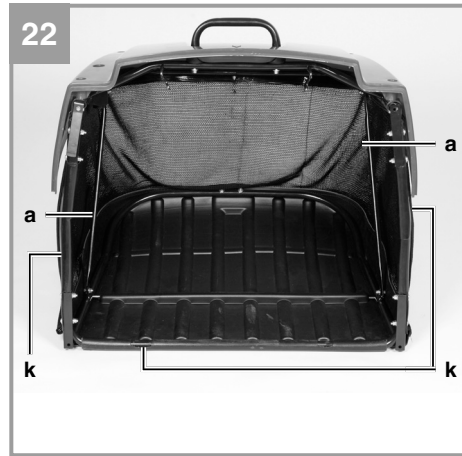
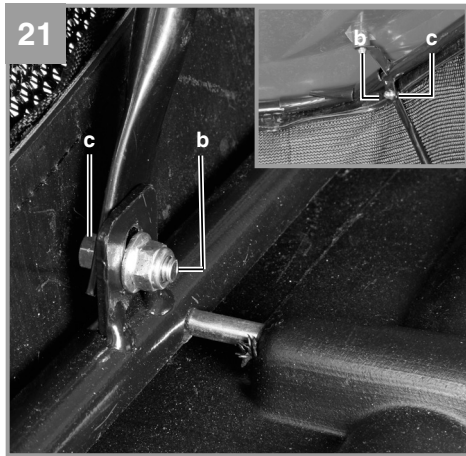
 **South America**

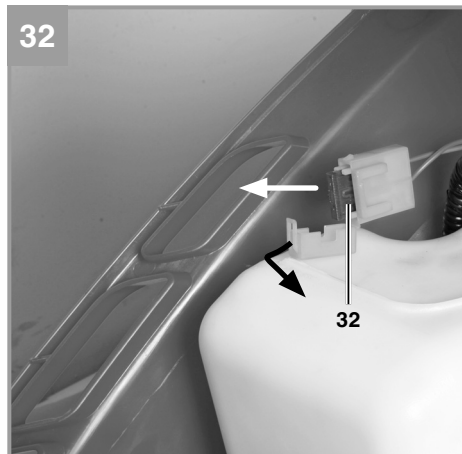
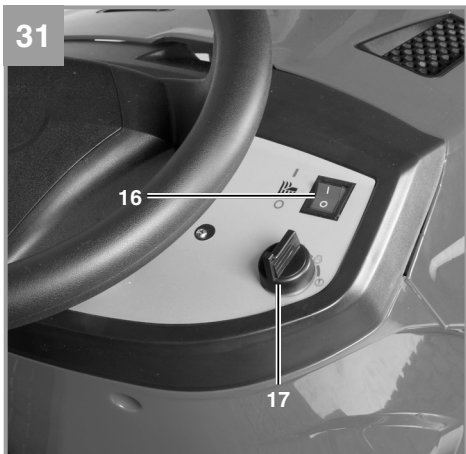
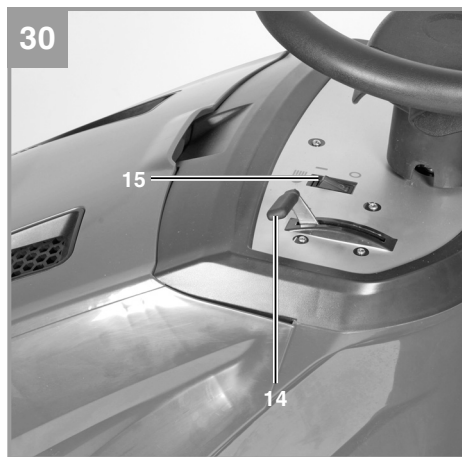
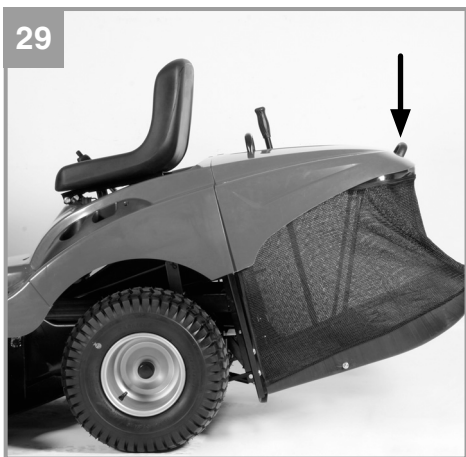
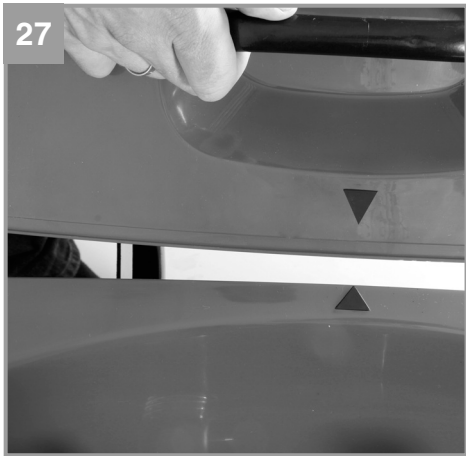


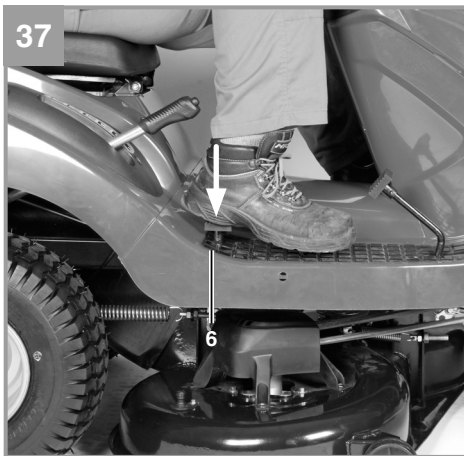
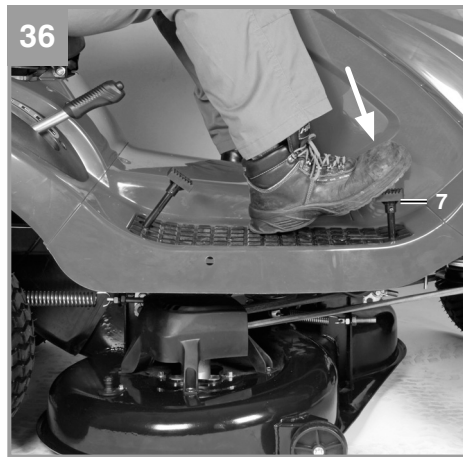
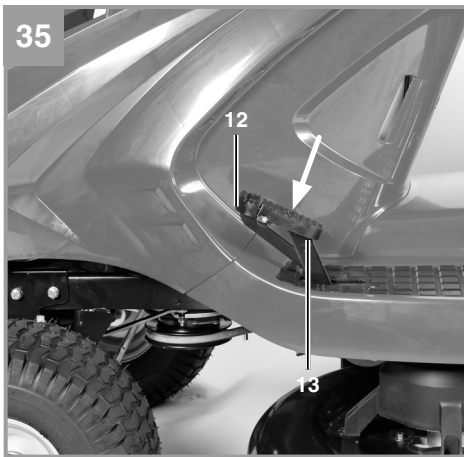
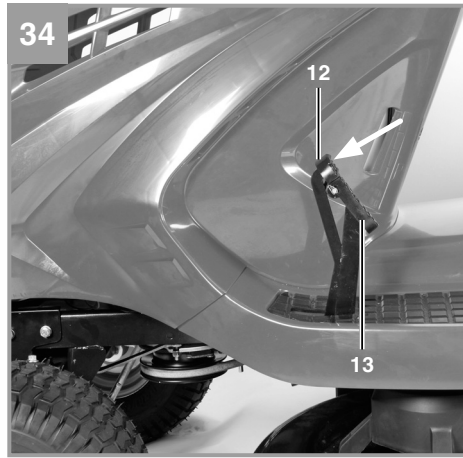
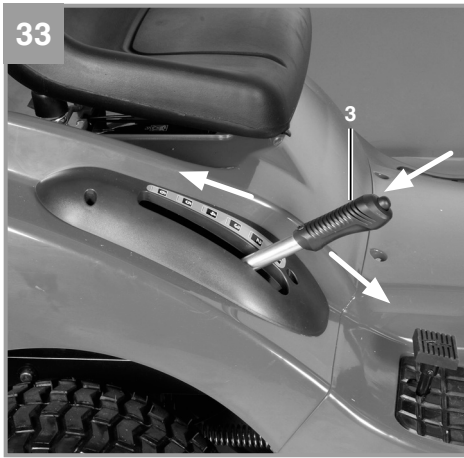


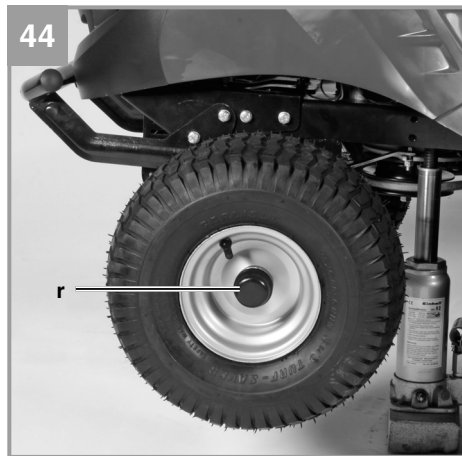
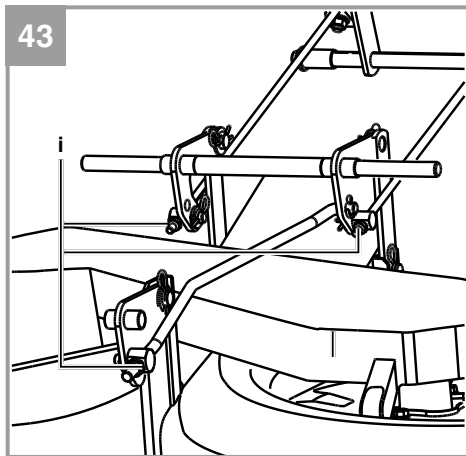
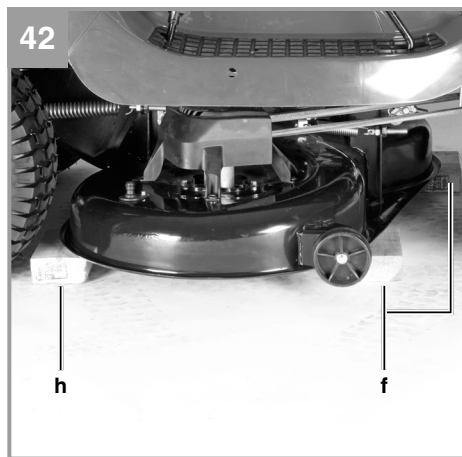
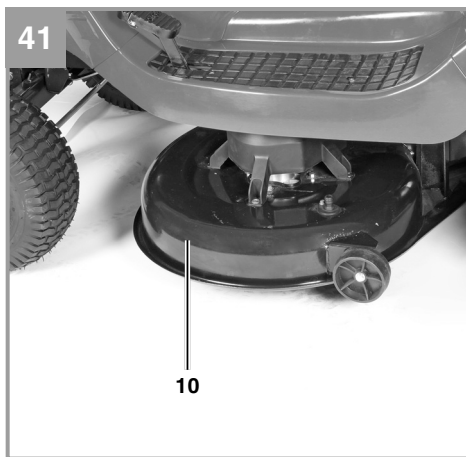
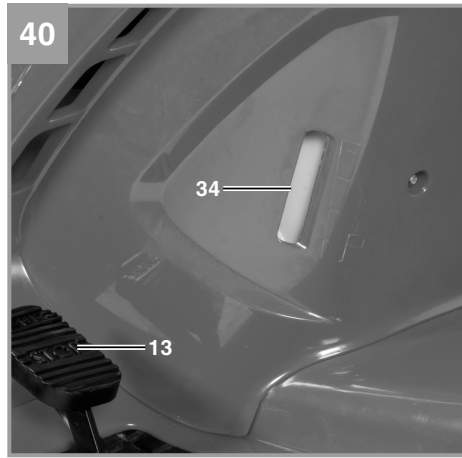
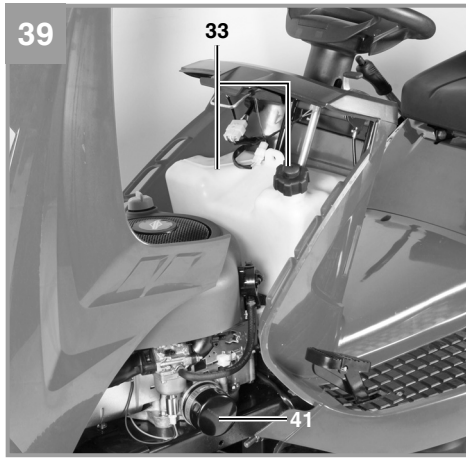


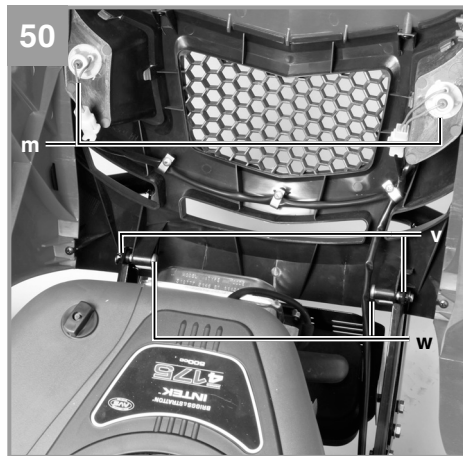
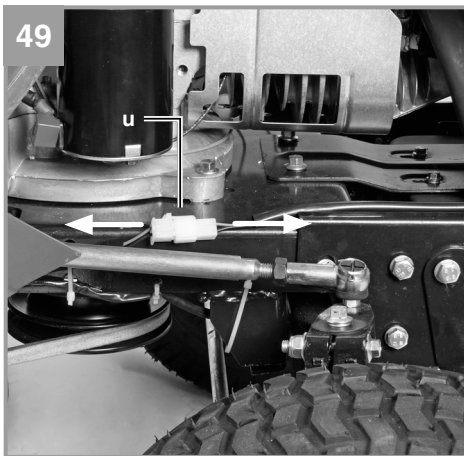
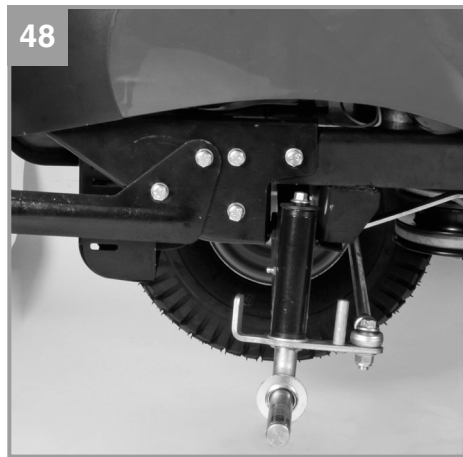
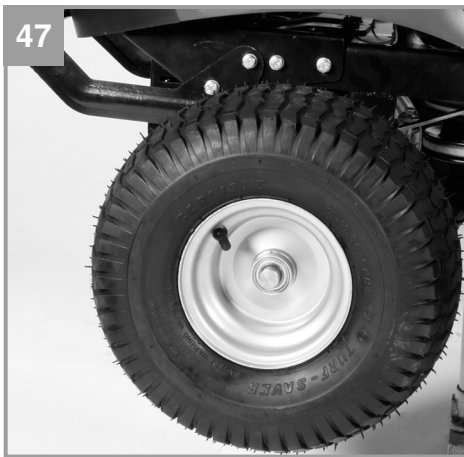
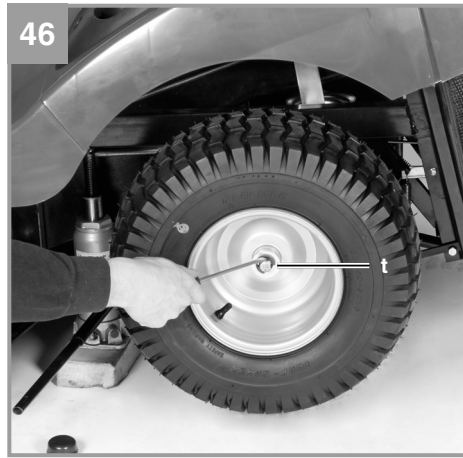


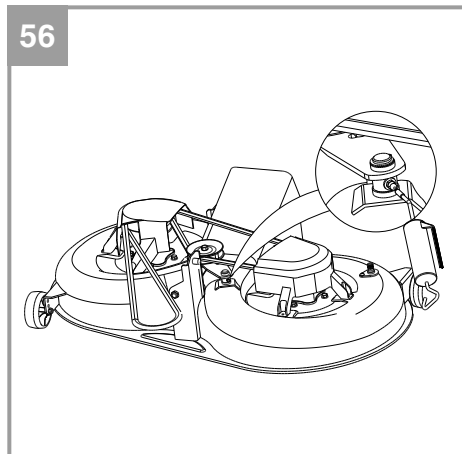
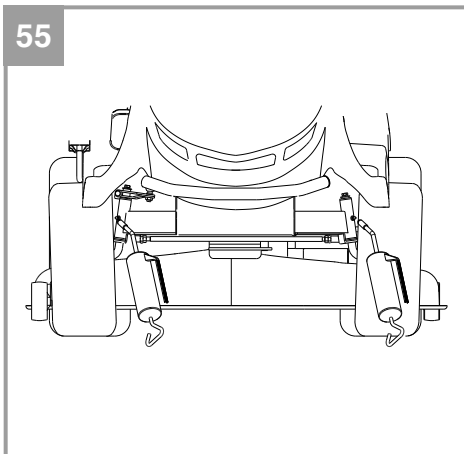
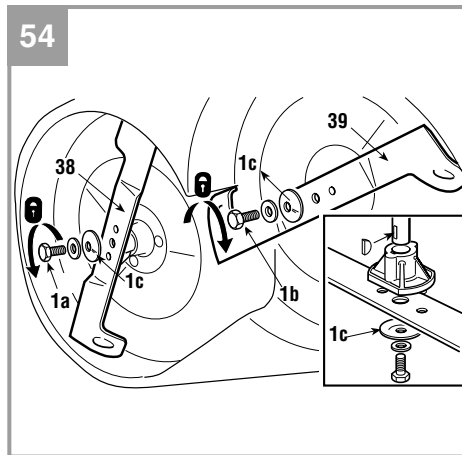
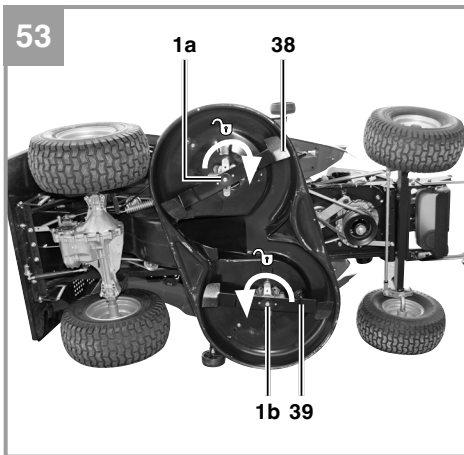
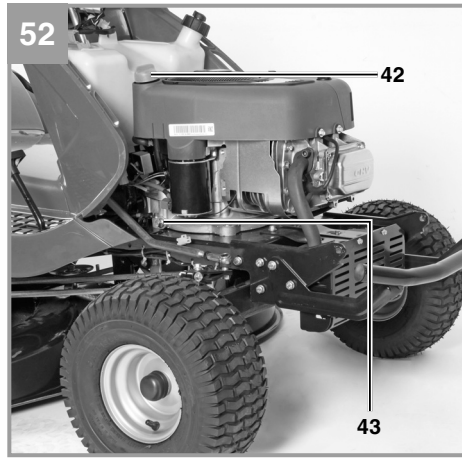


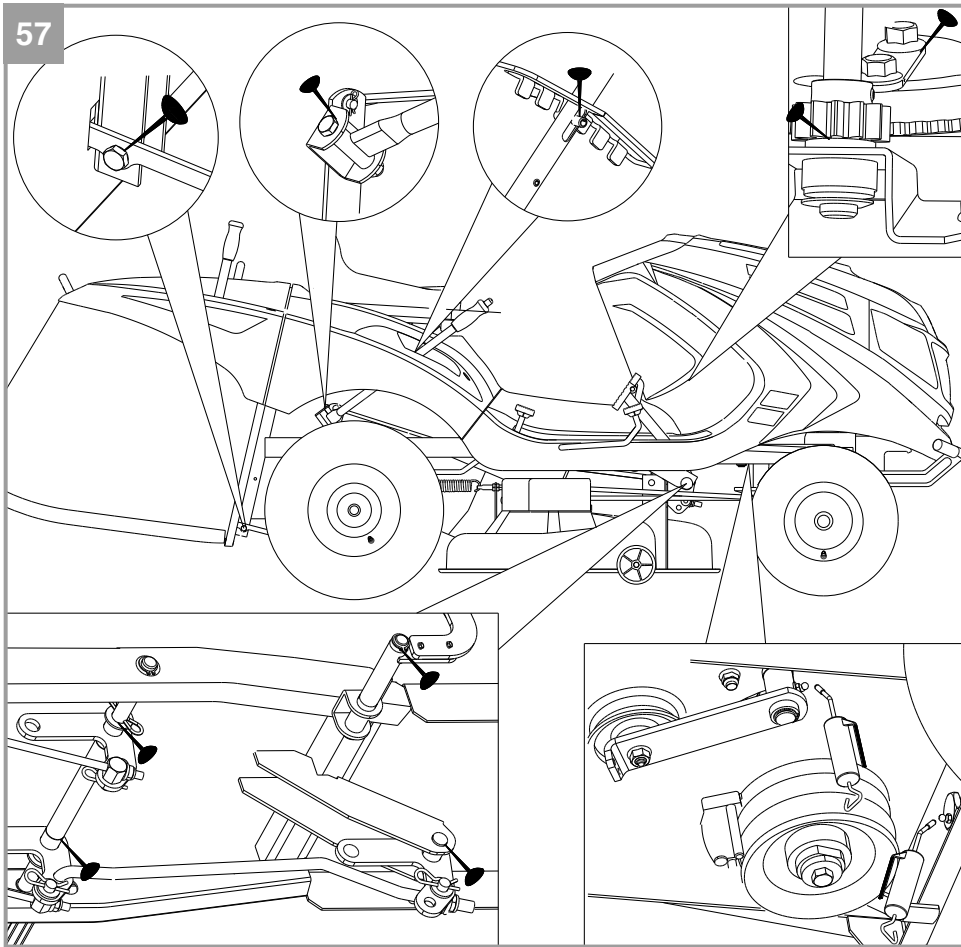


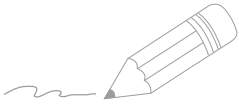




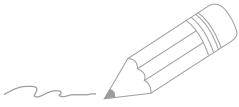




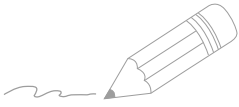




Two horizontal lines are positioned to the right of the pencil illustration. Below these, the page contains 25 additional horizontal lines, providing a template for writing or drawing.



Two horizontal lines are positioned to the right of the pencil illustration. Below these, the page contains 25 additional horizontal lines, providing a total of 27 lines for writing or drawing.



Two horizontal lines are positioned to the right of the pencil illustration. Below these, the page contains 25 additional horizontal lines, providing a total of 27 lines for writing or drawing.



EH 11/2012 (01)