



TSF-1211U

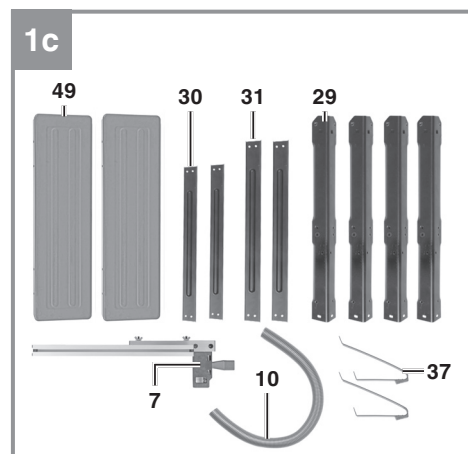
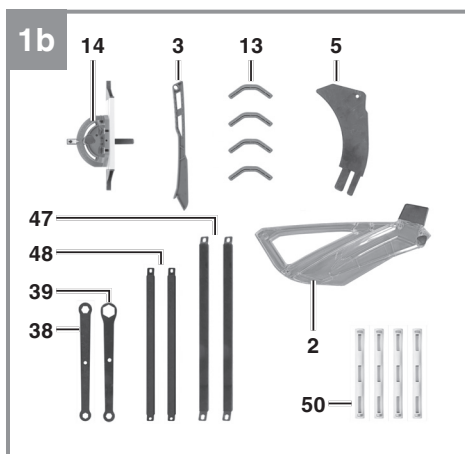
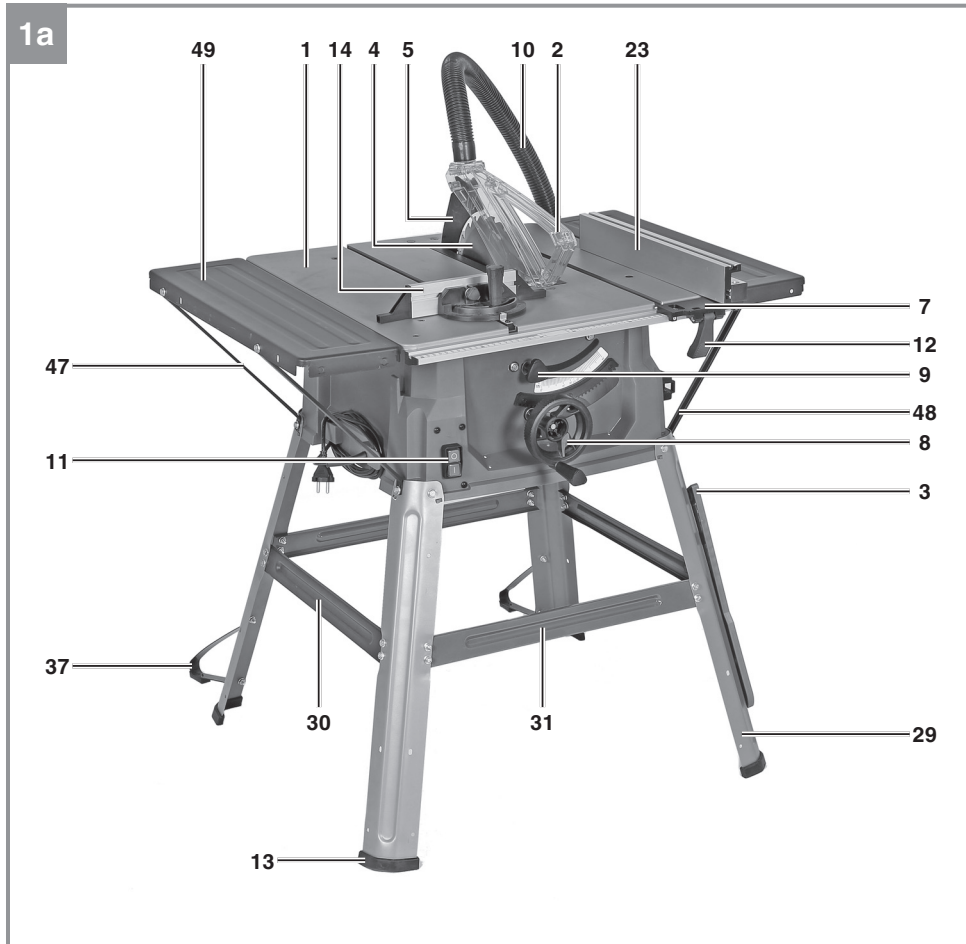
**GB Original operating instructions
Bench-type circular saw**

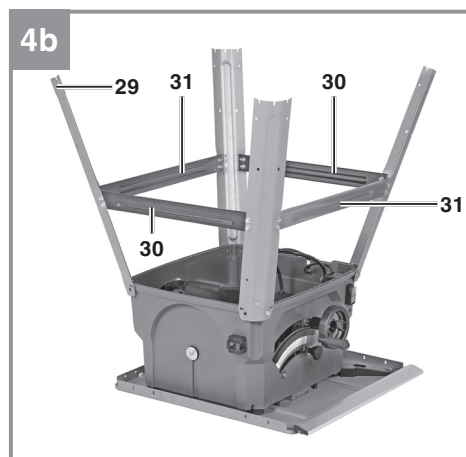
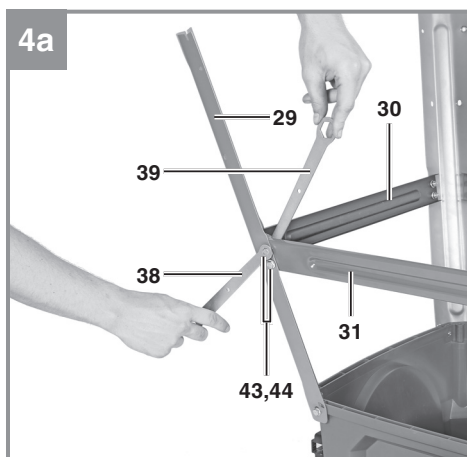
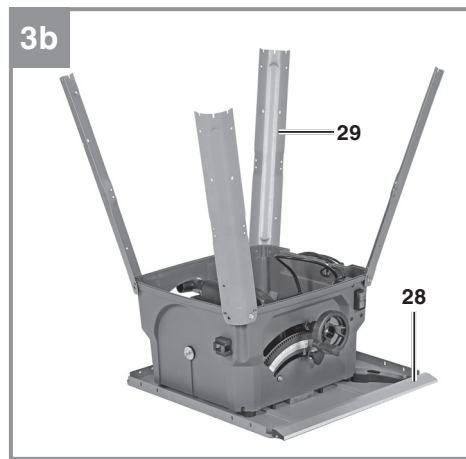
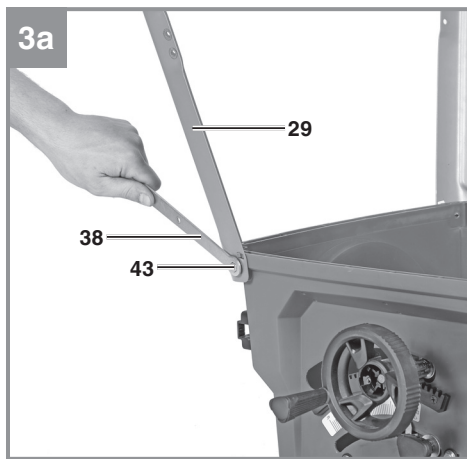
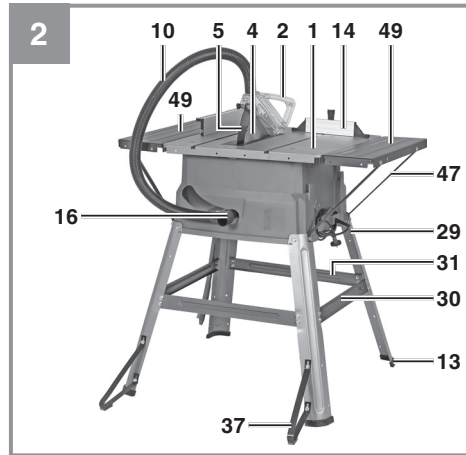
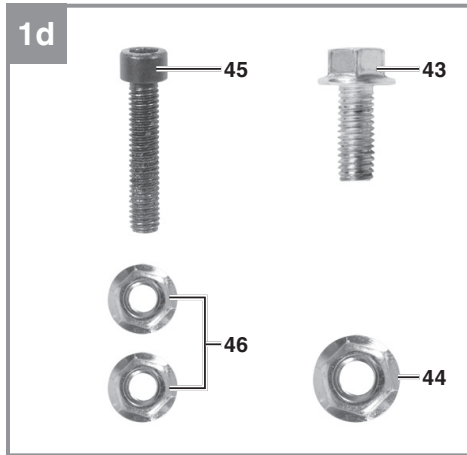


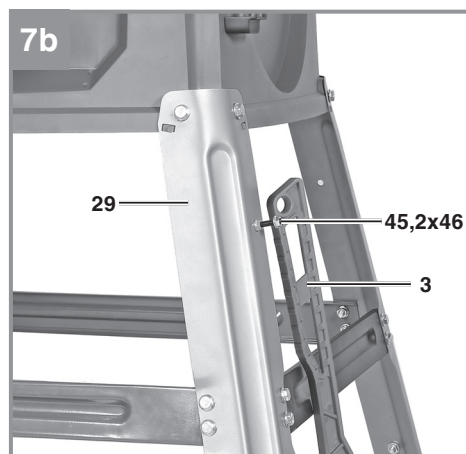
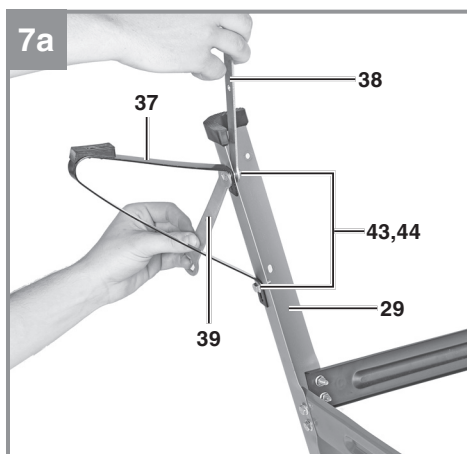
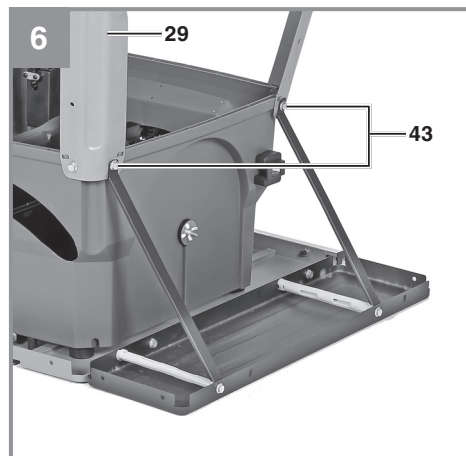
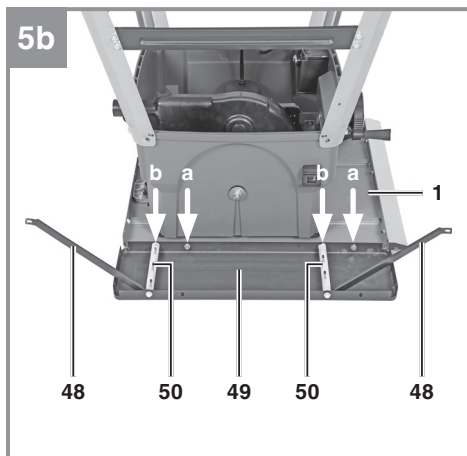
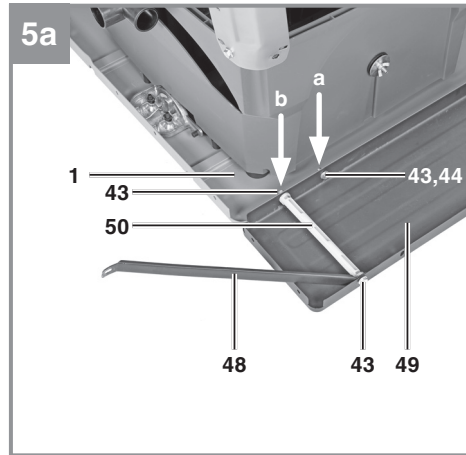
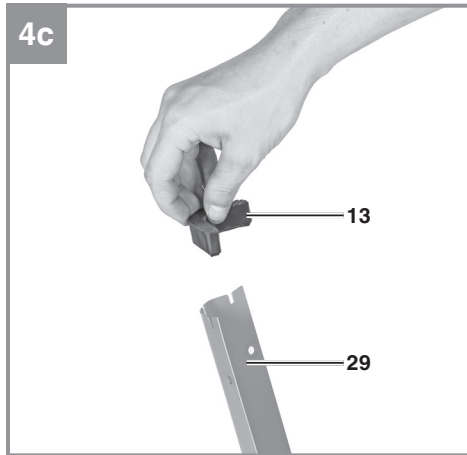
Art.-Nr.: 43.405.42

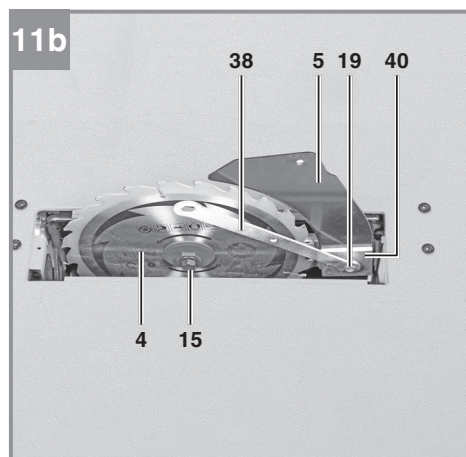
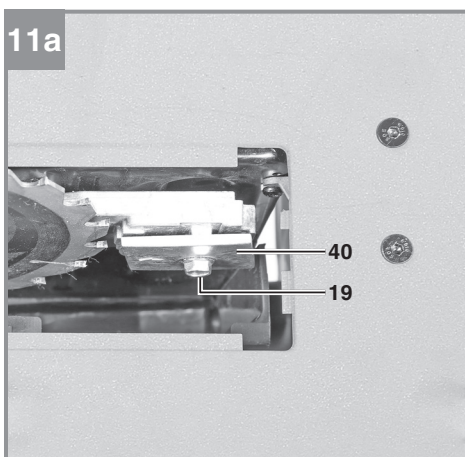
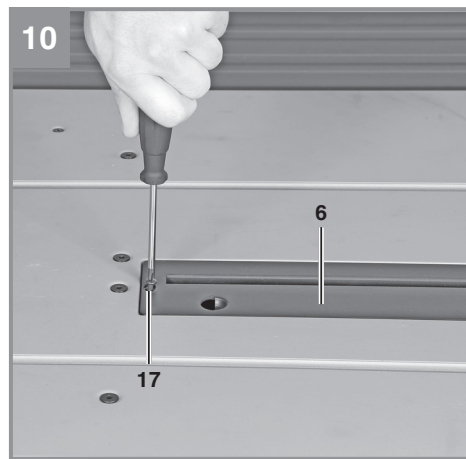
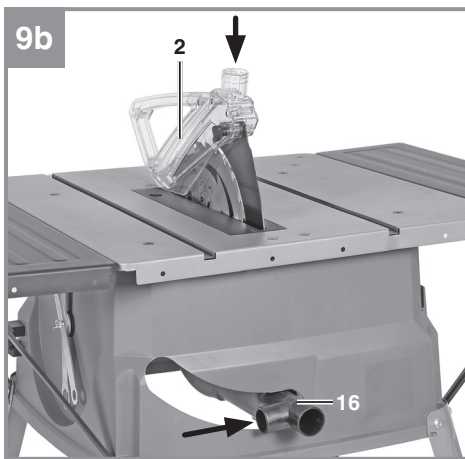
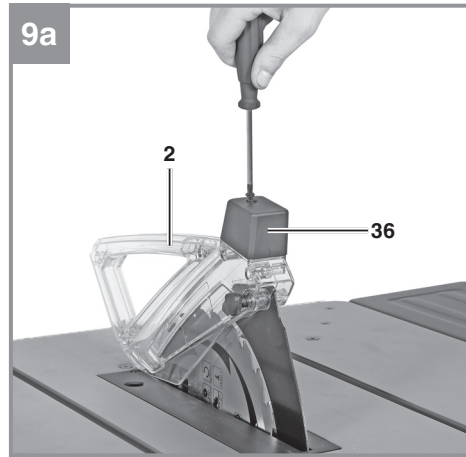
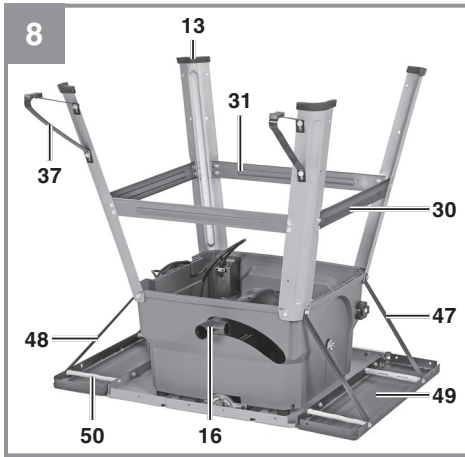


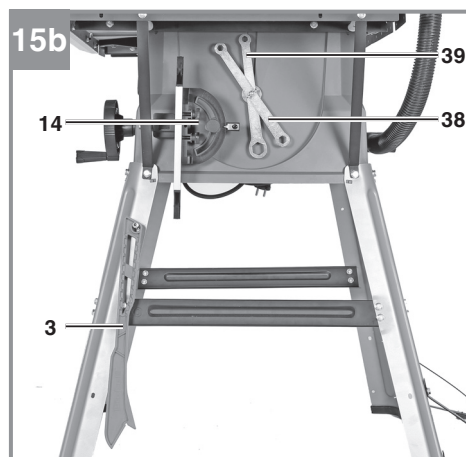
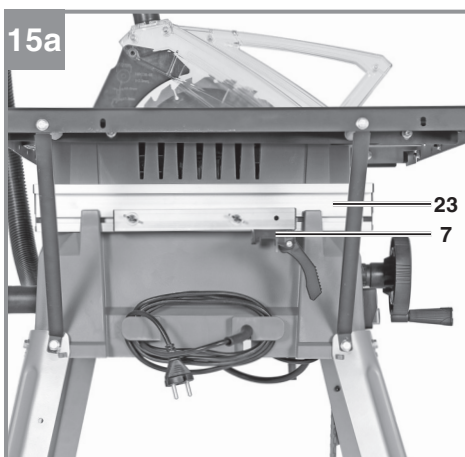
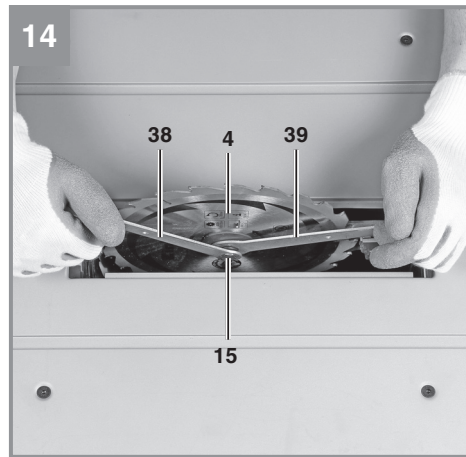
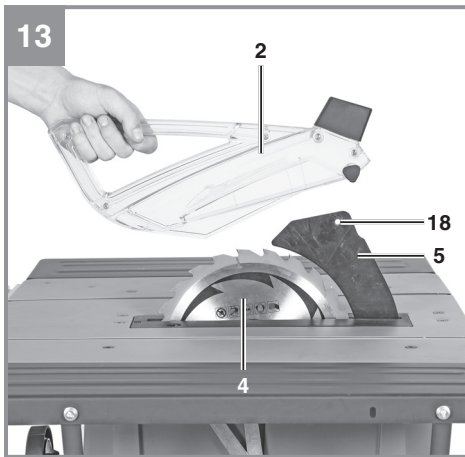
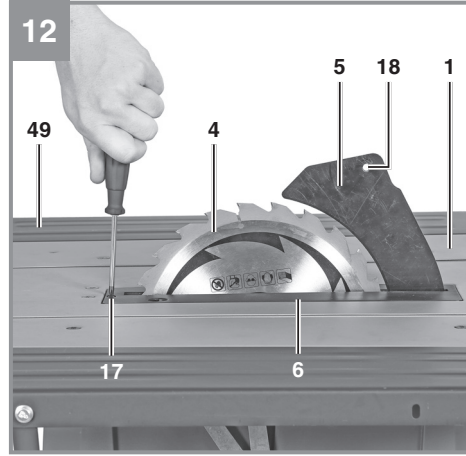
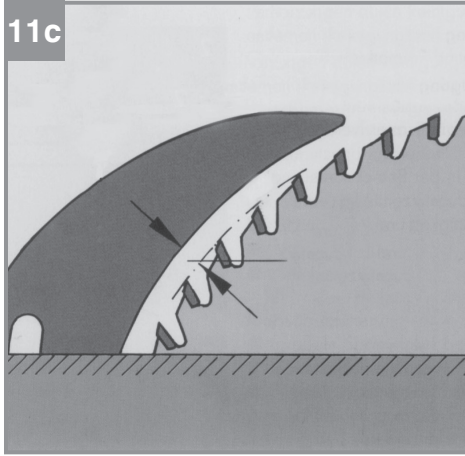
I.-Nr.: 11029

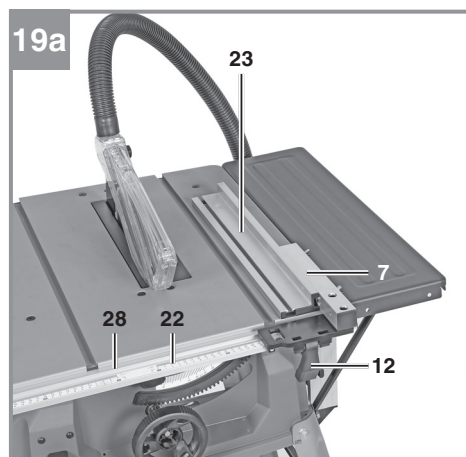
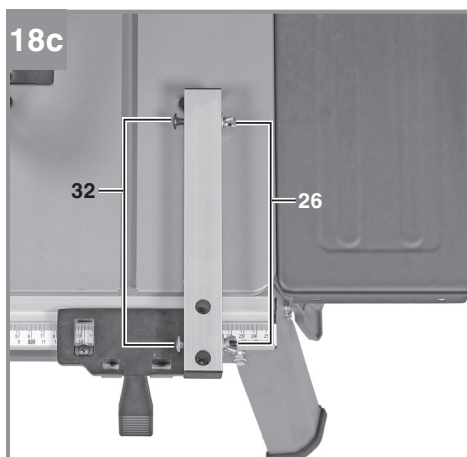
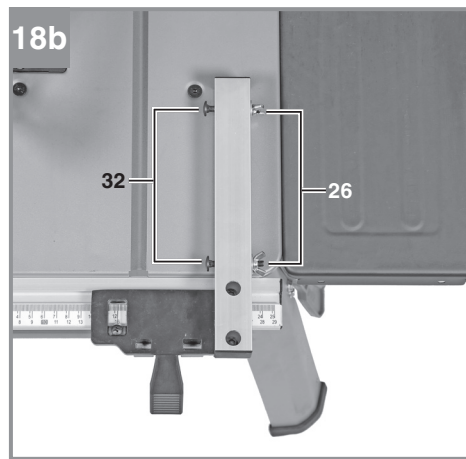
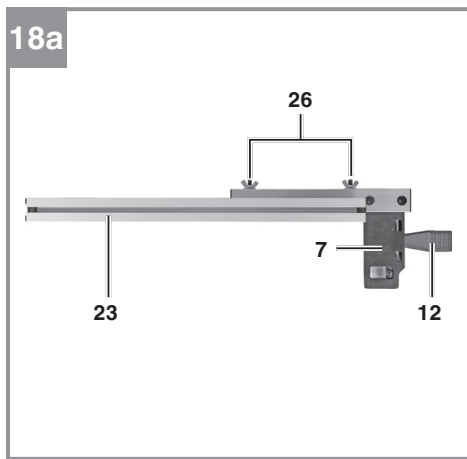
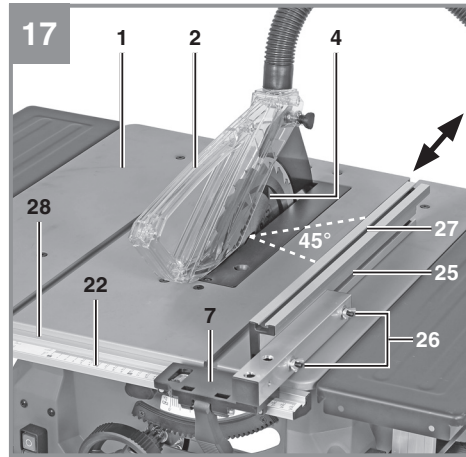
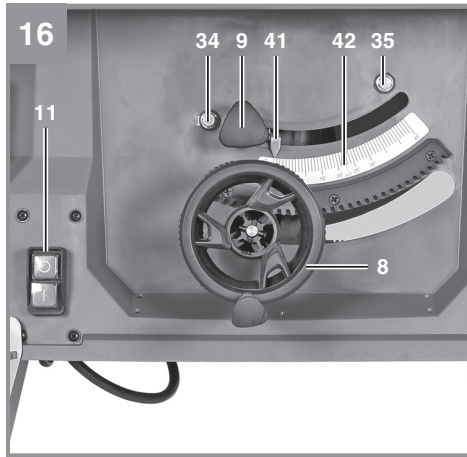


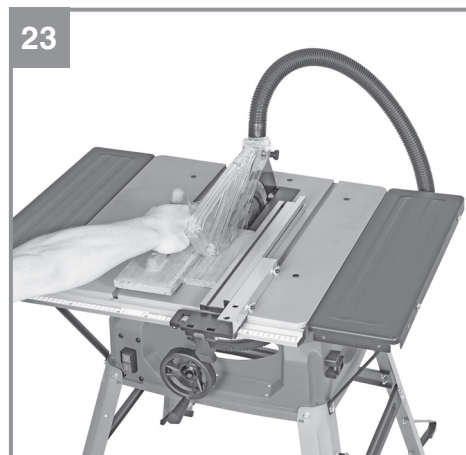
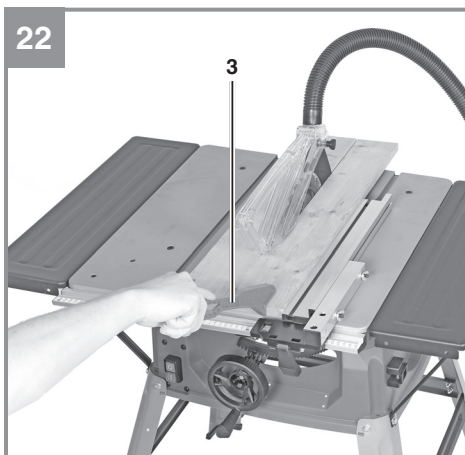
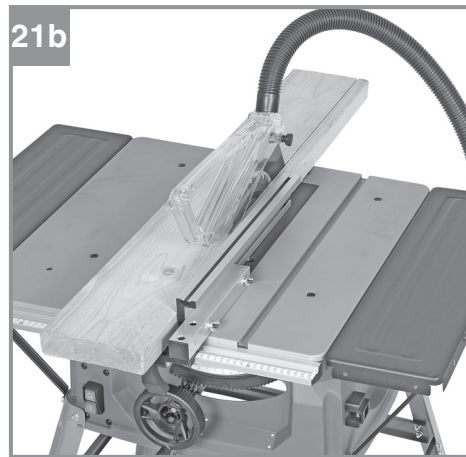
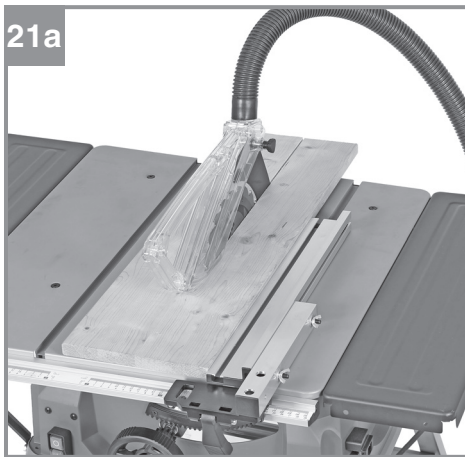
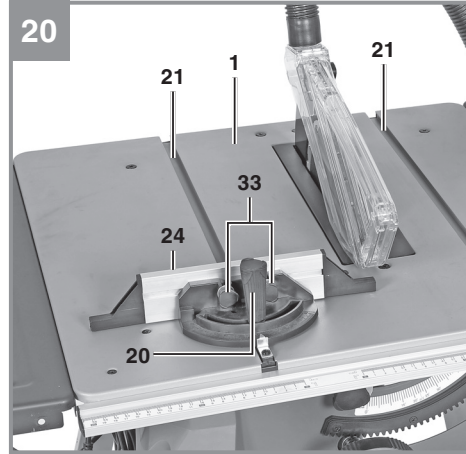
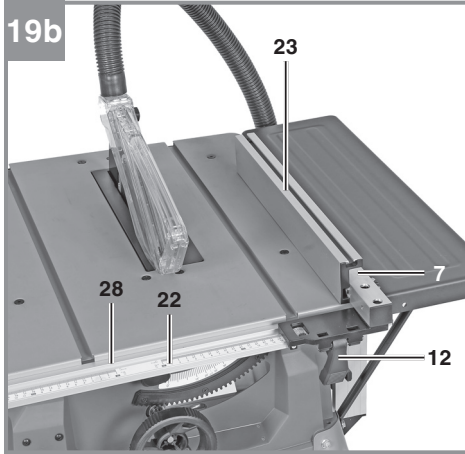


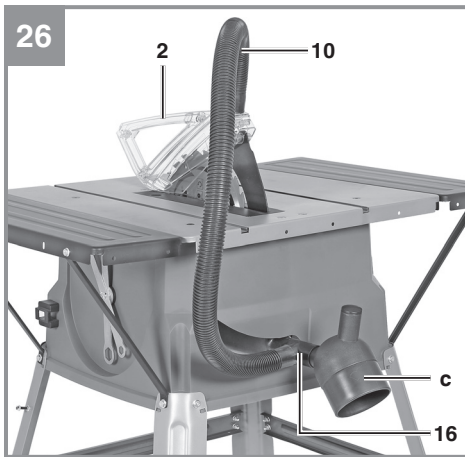
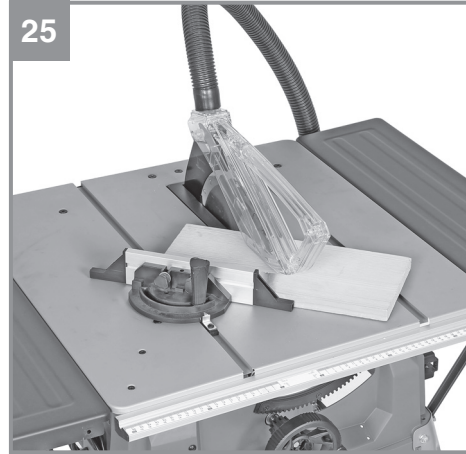
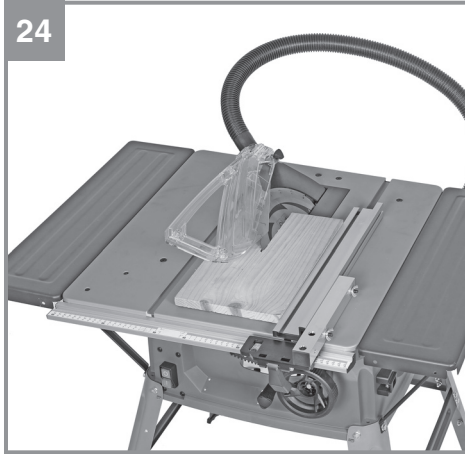














Danger! - Read the operating instructions to reduce the risk of injury



Caution! Wear ear-muffs. The impact of noise can cause damage to hearing.



Caution! Wear a breathing mask. Dust which is injurious to health can be generated when working on wood and other materials. Never use the device to work on any materials containing asbestos!



Caution! Wear safety goggles. Sparks generated during working or splinters, chips and dust emitted by the device can cause loss of sight.



Caution! Risk of injury! Do not reach into the running saw blade.

Danger!

When using the equipment, a few safety precautions must be observed to avoid injuries and damage. Please read the complete operating instructions and safety regulations with due care. Keep this manual in a safe place, so that the information is available at all times. If you give the equipment to any other person, hand over these operating instructions and safety regulations as well. We cannot accept any liability for damage or accidents which arise due to a failure to follow these instructions and the safety instructions.

1. Safety regulations

General safety information for power tools

Warning!

Read all the safety information, instructions, illustrations and technical data provided on or with this power tool. Failure to adhere to the following instructions may result in electric shock, fire and/or serious injury.

Keep all the safety information and instructions in a safe place for future use.

The term „power tool“ used in the safety information and instructions refers to power tools operated from the mains power supply (with a power cable) and to battery operated power tools (without a power cable).

1. Workplace safety

- a) **Keep your work area clean and well lit.** Untidy or unlit work areas can result in accidents.
- b) **Do not use this power tool in an area where there is a risk of explosion and where there are inflammable liquids, gases or dust.** Power tools generate sparks that can ignite dust or vapors.
- c) **Keep children and other people away from the power tool while you are using it.** If you are distracted you may lose control of the power tool.

2. Electrical safety

- a) **The plug on the power tool must fit into the socket. The socket must not be modified in any way. Do not use adapter plugs together with power tools with a protective earth.** Unmodified plugs and matching sockets will reduce the risk of an electric shock.

- b) **Avoid body contact with earthed surfaces such as pipes, heating systems, stoves and refrigerators.** There is an increased risk of suffering an electric shock if your body is earthed.
- c) **Keep the power tool out of the rain and away from moisture.** The ingress of water into an electric power tool increases the risk of an electric shock.
- d) **Do not use the power cable for a purpose for which it is not designed, for example to carry the power tool, hang it up or to pull the plug out of the socket. Keep the power cable away from heat, oil, sharp edges and moving parts.** Power cables that are damaged or tangled increase the risk of an electric shock.
- e) **If you use an electric power tool outdoors, use only extension cables that are suitable for outdoor use.** The use of an extension cable which is suitable for outdoor use reduces the risk of an electric shock.
- f) **If you cannot avoid using the power tool in a damp location, use a residual current device (RCD) circuit breaker.** The use of a residual current device (RCD) circuit breaker will reduce the risk of suffering an electric shock.

3. Safety of persons

- a) **Be careful, watch what you are doing and be sensible and responsible when using an electric power tool. Never use the power tool if you are tired or under the influence of drugs, alcohol or medication.** One moment of inattention when using the electric tool can result in serious injuries.
- b) **Wear personal safety equipment and always wear safety goggles.** Wearing personal safety equipment such as dust masks, non-slip safety shoes, a helmet or ear plugs, depending on the type and application of the tool, reduces the risk of injury.
- c) **Make sure that the tool cannot start up accidentally. Ensure that the power tool is switched off before you connect it to the power supply and/or connect the battery pack, pick it up or carry it.** If you have your finger on the switch while carrying the power tool or if you connect the power tool to the power supply while it is switched on, this may cause accidents.
- d) **Remove all adjusting tools or wrenches before you switch on the power tool.** Any tool or wrench in a rotating part of the power

tool could cause injuries.

- e) **Avoid abnormal working postures. Make sure you stand squarely and keep your balance at all times.** This will enable you to control the power tool better in unexpected situations.
 - f) **Wear suitable clothes. Never wear loose fitting clothes or jewelry. Keep hair and clothing away from moving parts.** Loose clothing, jewelry or long hair can be caught by moving parts.
 - g) **If dust extraction devices and dust collection devices can be fitted, they must be connected and must be used correctly.** The use of a dust extractor can reduce the dangers posed by dust.
 - h) **Do not allow yourself to be lulled into a false sense of security and do not ignore the safety regulations covering electric power tools, even if you are familiar with the power tool after having used it many times.** Carelessness can lead to serious injuries in just a fraction of a second.
4. **Using and handling the power tool**
- a) **Do not overload your power tool. Use the correct electric tool for the job in hand.** The correct tool will enable you to work better and more safely within the specific performance range.
 - b) **Do not use an electric power tool if the switch is defective.** An electric power tool that cannot be switched on or off is dangerous and must be repaired.
 - c) **Pull the plug out of the socket and/or remove the removable battery pack before making any adjustments to the tool, changing plug-in tool parts or putting the power tool down.** These precautions will prevent the power tool starting accidentally.
 - d) **Keep unused electric tools out of the reach of children. Do not allow people who are not familiar with the power tool or who have not read these instructions to use the power tool.** Electric tools are dangerous if they are used by inexperienced people.
 - e) **Look after power tools and plug-in tools with care. Check that moving parts function correctly and do not jam, and whether any parts are broken or damaged such that they adversely affect the function of the power tool. Have damaged parts repaired before you use the power tool.** Many accidents are caused by poorly

maintained electric tools.

- f) **Keep cutting tools sharp and clean.** Carefully maintained cutting tools with sharp cutting edges will jam less and are easier to control.
 - g) **Use the power tool, plug-in tools, etc. as set out in these instructions. Take account of the conditions in your work area and the job in hand.** Using electric tools for purposes other than the one for which they are designed can result in dangerous situations.
 - h) **Keep the handles and grip surfaces dry, clean and free from oil and grease.** If the handles and grip surfaces are slippery, it will not be possible to operate and control the power tool safely in unforeseen situations.
5. **Service**
- a) **Have your power tool repaired only by trained personnel using only genuine spare parts.** This will ensure that your power tool remains safe to use.

Special safety information for bench-type circular saws

- 1) **Safety information relating to the safety guards**
 - a) **Leave the safety guards fitted in place. Safety guards must always be in proper working order and fitted correctly.** Loose, damaged or defective safety guards must be repaired or replaced.
 - b) **Always use the saw blade safety guard and the splitter when performing separation cuts.** For separation cuts in which the saw blade cuts right through the workpieces thickness, the safety guard and other safety equipment reduce the risk of injuries.
 - c) **Do not use this saw to cut rebates or grooves.** For design reasons, the saw is not suitable for such work. The splitter must never be removed, because it prevents jamming and kickbacks.
 - d) **Before switching on the power tool, make sure that the saw blade does not touch the safety guard, splitter or workpiece.** Accidental contact between these components and the saw blade could lead to dangerous situations.
 - e) **Adjust the splitter in accordance with the description in these operating instructions.** Incorrect clearances, position or alignment may be the reason why the splitter fails

- to prevent a kickback effectively.
- f) **For the splitter to work, it must be engaged with the workpiece.** The splitter is ineffective when cutting workpieces that are too short to be engaged with the splitter. Under these conditions a kickback cannot be prevented by the splitter.
- g) **Use the right saw blade for the splitter.** For the splitter to work properly, the saw blade diameter must match the splitter, the saw plate of the saw blade must be thinner than the splitter and the tooth pitch must be greater than the thickness of the splitter.
- 2) **Safety information for sawing**
- a) **DANGER: Do not let your hands and fingers come anywhere near the saw blade or the sawing area.** It just takes one moment of inattention or a slip and your hand could be directed towards the saw blade, which could result in serious injuries.
- b) **Only feed the workpiece to the saw blade or cutting tool against the direction of rotation.** If the workpiece is fed in in the same direction as the direction of rotation of the saw blade above the table, this could lead to both the workpiece and your hand being drawn in to the saw blade.
- c) **Never use the miter stop to feed in the workpiece when performing longitudinal cuts, and never use the parallel stop in addition for setting the length when performing cross cuts with the miter stop.** Feeding the workpiece in with both the parallel stop and the miter stop at the same time increases the likelihood of the saw blade getting jammed, which will result in kickback.
- d) **When performing longitudinal cuts, always apply the infeed force on the workpiece between the stop rail and the saw blade. Use a push stick if the gap between the stop rail and the saw blade is less than 150 mm, and a push block if the gap is less than 50 mm.** Work aids of this kind help ensure that your hand is kept at a safe distance from the saw blade.
- e) **Only use the supplied push stick of the manufacturer or one which has been manufactured in accordance with instructions.** The push stick ensures that your hand is kept at a sufficient distance from the saw blade.
- f) **Never use a damaged or partially sawn push stick.** If the push stick is damaged, it could break, causing your hand to come into contact with the saw blade.
- g) **Do not perform your work “free-handed”.** Always use the parallel stop or the miter stop to position and feed in the workpiece. “Free-handed” means using your hand to support or feed in the workpiece with the parallel stop or miter stop. Free-handed sawing leads to misalignment, jamming and kickbacks.
- h) **Never reach over or into a rotating saw blade.** Reaching for a workpiece could lead to accidental contact with the rotating saw blade.
- i) **Provide support for long and/or wide workpieces behind and/or at the side of the saw table, so that they stay horizontal.** Long and/or wide workpieces have a tendency to fall off at the edge of the saw table; this leads to a loss of control, the jamming of the saw blade and kickbacks.
- j) **Feed the workpiece in smoothly. Do not bend or twist the workpiece. If the saw blade becomes jammed, switch off the power tool immediately, pull out the power plug and rectify the cause of the jam.** If the saw blade becomes jammed because of the workpiece, this could cause a kickback or cause the motor to block.
- k) **Do not remove the sawn material while the saw is running.** Sawn material could become stuck between the saw blade and the stop rail or in the saw blade and cause your fingers to be drawn into the saw blade if you attempt to remove it. Switch off the saw and wait until the saw blade has come to a standstill before removing the material.
- l) **For longitudinal cuts on workpieces thinner than 2 mm, use an additional parallel stop which has contact with the table surface.** Thin workpieces can get wedged under the parallel stop and cause kickback.
- m) **Avoid overheating of the saw blade and/or burn marks on the workpiece.** Push the workpiece smoothly into the saw blade and do not stop during the cut.
- 3) **Causes of kickbacks and related safety information**
- A kickback is the sudden reaction of the workpiece resulting from a caught, jammed saw blade or a cut performed at an angle in the workpiece relative to the saw blade, or when part of the workpiece becomes jammed between the saw blade and the parallel stop or any other fixed object. In most cases when kickback occurs, the workpiece gets

caught by the rear section of the saw blade, gets lifted from the saw table and thrown in the direction of the operator. Kickback is the result of the bench-type circular saw being used incorrectly or wrongly. It can be prevented by suitable precautions, as described below.

- a) **Never position yourself in a direct line with the saw blade. Always stand to the side of the saw blade, at the side with the stop rail.** In the event of kickback, the workpiece can be thrown at high speed towards persons who are standing in line with the saw blade.
 - b) **Never reach into or behind the saw blade to pull or support the workpiece.** This could lead to accidental contact with the saw blade, or kickback could cause your fingers to be drawn into the saw blade.
 - c) **Never hold and press a workpiece against the rotating saw blade when you want to saw the workpiece.** Pressing the workpiece against the saw blade when sawing workpiece will result in jamming and kickback.
 - d) **Align the stop rail parallel to the saw blade.** If the stop rail is not properly aligned, the workpiece will press against the saw blade and cause kickback.
 - e) **Do not use this saw to cut rebates or grooves.** For design reasons, the saw is not suitable for such work. The splitter must never be removed, because it prevents jamming and kickbacks.
 - f) **Be particularly careful when sawing in areas into which you cannot see on workpieces which have been joined together.** The plunge-cutting saw blade may saw into objects which could cause kickback.
 - g) **Support large panels to reduce the risk of a kickback by a jammed saw blade.** Large panels may sag under their own weight. Panels must be provided with support at all points where they project over the table surface.
 - h) **Do not work on any workpieces which are twisted, knotted or warped or do not have a straight edge on which they can be guided with a miter stop or along a stop rail.** A warped, knotted or twisted workpiece is instable and will lead to the misalignment of the kerf with the saw blade, and jamming and kickback.
 - i) **Never saw several workpieces stacked one on top of the other or one after the other.** The saw blade could catch one or more parts and cause kickback.
 - j) **Do not start the saw if the saw is in the workpiece.** If the saw blade is jammed it may lift the workpiece and cause kickback when the saw is restarted.
 - k) **Keep the saw blades clean, sharp and adequately set. Never use bent saw blades or saw blades with cracked or broken teeth.** Saw blades which are sharp and properly set minimize jamming, blockages and kickback.
- 4) Safety information for the operation of bench-type circular saws**
- a) **Switch off the bench-type circular saw and disconnect it from the mains power supply before you remove the table insert, change the saw blade, adjust the splitter or the saw blade safety guard and when the machine is left unattended.** Precautions are intended to help prevent accidents.
 - b) **Never leave the bench-type circular saw running unattended. Switch off the power tool and do not leave it before it has come to a complete standstill.** A saw which is left running unattended is an uncontrolled danger.
 - c) **Set the saw up at a location which is level and well-lit and where you can stand steadily and keep your balance. The location where you set it must provide sufficient space for you to handle your larger workpieces easily.** Untidiness, unlit work areas and uneven, slippery floors can lead to accidents.
 - d) **Remove wood sawings and sawdust regularly from under the saw table and/or from the dust extractor.** Accumulations of sawdust are combustible and can self-ignite.
 - e) **Secure the bench-type circular saw.** If the bench-type circular saw is not properly secured, it could move or topple over.
 - f) **Remove all adjusting tools, residual wood, etc., from the bench-type circular saw before you switch it on.** Distractions or possible jams can be dangerous.
 - g) **Always use saw blades of the correct size and with a suitable mounting hole (diamond-shaped or round).** Saw blades that do not match the mounting parts of the saw will not rotate truly and will result in a loss of control.
 - h) **Never use damaged or the incorrect saw blade assembly material such as, e.g. flanges, washers, screws or nuts.** This saw

blade assembly material has been specially designed for your saw, for safe operation and optimum performance.

- i) **Never get onto the bench-type circular saw and never use the bench-type circular saw as a step stool.** Serious injuries could occur if the power tool topples over or if you come into contact with the saw blade accidentally.
 - j) **Make sure that the saw blade is fitted in the correct direction of rotation. Do not grinding wheels or wire brushes with the bench-type circular saw.** If the saw blade is fitted incorrectly or accessories are used which are not recommended, this could lead to serious injuries.
- 5) Additional safety information**
1. Only use a saw blade which has the external diameter and hole diameter specified in the original operating instructions ("Technical data" section).
 2. Use only blades with rotating speeds which are equal to or higher than the rotating speed marked on the power tool.
 3. Use only a saw blade with a diameter which is the same as specified on the saw.
 4. Use the correct saw blade for the material you are working on.
 5. Use only saw blades which are recommended by the manufacturer which, if they are intended for cutting wood or similar materials, comply with EN 847-1.
 6. Only fit blades which are well sharpened and have no cracks or deformations.
 7. Faulty saw blades must be replaced immediately.
 8. It must be possible for the blade to run freely.
 9. Check the saw blade guard for damage and wear each time before using the saw.
 10. The saw blade guard must lower again automatically under its own weight after each cut. The saw blade guard must lift when the workpiece is pushed in the direction of the saw blade.
 11. Damaged or faulty safety devices have to be replaced immediately.
 12. It is imperative to make sure that all devices which cover the saw blade are in good working order.
 13. Never dismantle the machine's safety devices or render them inoperative.
 14. Refit all guards and safety devices immediately after you have completed any repairs or maintenance work.
 15. Keep the push stick or handle for a push block at the machine at all times, even when you are not using them. Slot the push stick or the push block into its holder when not in use.
 16. The sawing of angles/wedges is only permitted if an appropriate auxiliary stop (cross stop) is used.
 17. If the table insert is worn, replace it. – Pull out the power plug –
 18. If necessary, wear suitable personal protection equipment. This could consist of:
 - a. Ear plugs to prevent the risk of damaging your hearing
 - b. A breathing mask to avoid the risk of inhaling hazardous dust
 - c. Always wear gloves when handling saw blades and rough materials. Whenever practicable, saw blades must be carried in a container.
 19. Use only the transport devices to move the equipment. Never use the guards for handling or moving the equipment.
 20. While you are moving the machine it is best to cover the top part of the blade, e.g. with the guard.
 21. Give these safety instructions to all persons who work on the machine.
 22. Do not use this saw to cut fire wood.
 23. Do not use this saw to cross-cut roundwood.
 24. The machine is equipped with a safety switch to prevent it from being switched on again accidentally after a power failure.
 25. If you need to use an extension cable, make sure its conductor cross-section is big enough for the saw's power consumption. Minimum cross-section 1.5 mm².
 26. If you use a cable reel, the complete cable must be pulled off the reel.
 27. Never load the machine so much that it cuts out.
 28. Always press the workpiece firmly against the saw table.
 29. Make sure that off-cuts do not catch on the saw blade crown. Risk of catapulting!
 30. Be sure to observe the safety information and operating and maintenance instructions issued by the manufacturer, as well as the dimensions listed in the Technical Data.
 31. It is imperative to observe the accident prevention regulations in force in your area as well as all other generally recognized rules of safety.
 32. Note the information published by your professional associations.
 33. Operators must be at least 18 years of age.

34. Never remove loose splinters, chips or jammed pieces of wood when the saw blade is running.
35. To rectify faults or remove jammed pieces of wood, always switch off the machine first. – Pull out the power plug –
36. Persons working on the machine should not be distracted.
37. Keep your workplace clean of wood scrap and any unnecessary objects.
38. Before you use the machine for the first time, check that the voltage marked on the rating plate is the same as your supply voltage.
39. Check the power cable. Never use a faulty or damaged power cable.
40. Operate the saw only with a suitable vacuum extraction system or a standard industrial vacuum cleaner.
41. Keep unused electric tools out of the reach of children. Do not allow people who are not familiar with the tool or who have not read these instructions to use the tool. Electric tools are dangerous if they are used by inexperienced people.
42. Keep your cutting tools sharp and clean. Carefully maintained cutting tools with sharp cutting edges will jam less and are easier to control.
43. Have your tool repaired only by trained personnel using only genuine spare parts. This will ensure that your tool remains safe to use.
44. All covers and safety devices have to be properly fitted before the equipment is switched on.
45. When working with wood that has been processed before, watch out for foreign bodies such as nails or screws etc.
46. Before you actuate the On/Off switch, make sure that the saw blade is correctly fitted and that the equipment's moving parts run smoothly.
47. Keep handles dry, clean and free from oil and grease.

Keep this safety information in a safe place!

2. Layout and items supplied

2.1 Layout (Fig. 1-26)

1. Saw table
2. Saw blade guard
3. Push stick
4. Blade
5. Splitter
6. Table insert
7. Complete parallel stop
8. Hand wheel
9. Locking grip for saw blade angle
10. Extraction hose
11. On/Off switch
12. Eccentric lever
13. Rubber foot
14. Cross stop
15. Screw for saw blade
16. Extractor adapter on housing
17. Countersunk head screw
18. Hole (splitter)
19. Fastening screw for splitter
20. Locking screw for cross stop
21. Slot in saw table
22. Scale (cutting width)
23. Stop rail for parallel stop
24. Stop rail for cross stop
25. Slot in stop rail, upright
26. Knurled screw for parallel stop
27. Slot in stop rail, flat
28. Guide rail system
29. Leg
30. Cross strut
31. Longitudinal strut
32. Screw for parallel stop
33. Knurled screw for cross stop
34. Adjustment screw (0°)
35. Adjustment screw (45°)
36. Cap on saw blade guard
37. Additional leg
38. Wrench, size 10/13 mm
39. Wrench, size 10/21 mm
40. Fastening plate
41. Pointer (angular setting)
42. Scale (angular setting)
43. Hexagon screw M6
44. Nut M6
45. Socket head screw M5
46. Nut M5
47. Strut for table width extension (left)
48. Strut for table length extension (right)
49. Table width extension
50. Tubular brace

2.2 Items supplied

Please check that the article is complete as specified in the scope of delivery. If parts are missing, please contact our service center or the sales outlet where you made your purchase at the latest within 5 working days after purchasing the product and upon presentation of a valid bill of purchase. Also, refer to the warranty table in the service information at the end of the operating instructions.

- Open the packaging and take out the equipment with care.
- Remove the packaging material and any packaging and/or transportation braces (if available).
- Check to see if all items are supplied.
- Inspect the equipment and accessories for transport damage.
- If possible, please keep the packaging until the end of the guarantee period.

Danger!

The equipment and packaging material are not toys. Do not let children play with plastic bags, foils or small parts. There is a danger of swallowing or suffocating!

- Saw blade guard
- Push stick
- Splitter
- Complete parallel stop
- Extraction hose
- Rubber foot (4x)
- Cross stop
- Leg (4x)
- Cross strut (2x)
- Longitudinal strut (2x)
- Additional leg (2x)
- Wrench, size 10/13 mm
- Wrench, size 10/21 mm
- Hexagon screw, size M6 (32x)
- Nut, size M6 (24x)
- Socket head screw M5
- Nut, size M5 (2x)
- Strut for table width extension (left) (2x)
- Strut for table length extension (right) (2x)
- Table width extension (2x)
- Tubular brace (4x)
- Original operating instructions
- Safety information

3. Proper use

The bench-type circular saw is designed for the slitting and cross-cutting (only with the cross stop) of all types of timber commensurate with the machine's size. The equipment is not to be used for cutting any type of round wood.

The equipment is to be used only for its prescribed purpose. Any other use is deemed to be a case of misuse. The user / operator and not the manufacturer will be liable for any damage or injuries of any kind caused as a result of this.

Please note that our equipment has not been designed for use in commercial, trade or industrial applications. Our warranty will be voided if the machine is used in commercial, trade or industrial businesses or for equivalent purposes.

The equipment is to be operated only with suitable saw blades (saw blades made of HM or CV) It is prohibited to use any type of HSS saw blade and cutting-off wheel.

To use the equipment properly you must also observe the safety information, the assembly instructions and the operating instructions to be found in this manual.

All persons who use and service the equipment have to be acquainted with these operating instructions and must be informed about the equipment's potential hazards. It is also imperative to observe the accident prevention regulations in force in your area. The same applies for the general rules of health and safety at work.

The manufacturer will not be liable for any changes made to the equipment nor for any damage resulting from such changes. Even when the equipment is used as prescribed it is still impossible to eliminate certain residual risk factors.

The following hazards may arise in connection with the machine's construction and design:

- Contact with the saw blade in the uncovered saw zone.
- Reaching into the running saw blade (cut injuries).
- Kick-back of workpieces and parts of workpieces.
- Saw blade fracturing.
- Catapulting of faulty carbide tips from the saw blade.
- Damage to hearing if essential ear-muffs are not used.

- Harmful emissions of wood dust when used in closed rooms.

4. Technical data

AC motor	220-240V ~ 50Hz
Power P	S1 1800 W · S6 25% 2000 W
Idling speed n_0	5000 rpm
Carbide saw blade	Ø 250 x Ø 30 x 2.8 mm
Number of teeth	24
Table size	583 x 563 mm
Table width extension left/right	583 x 165 mm
Cutting height max.	85 mm / 90°
.....	65 mm / 45°
Height adjustment	infinite 0 - 85 mm
Tilting saw blade	infinite 0° - 45°
Cross stop angle	infinite -60° - 60°
Extractor connection	Ø 36 mm
Weight	approx. 18 kg
Protection class:	II/□
Thickness of the splitter	2.0 mm

Operating mode S6 25%: Continuous operation with idling (cycle time 10 minutes). To ensure that the motor does not become excessively hot, it may only be operated for 25% of the cycle at the specified rating and must then be allowed to idle for 75% of the cycle.

Danger!

Noise

The noise emission values were measured in accordance with EN 62841.

Operation

L_{pA} sound pressure level	94 dB(A)
K_{pA} uncertainty	3 dB(A)
L_{WA} sound power level	107 dB(A)
K_{WA} uncertainty	3 dB(A)

Wear ear-muffs.

The impact of noise can cause damage to hearing.

The stated noise emission values were measured in accordance with a set of standardized criteria and can be used to compare one power tool with another.

The stated noise emission values can also be used to make an initial assessment of exposure.

Warning:

The noise emission levels may vary from the level specified during actual use, depending on the way in which the power tool is used, especially the type of workpiece it is used for.

Keep the noise emissions and vibrations to a minimum.

- Only use appliances which are in perfect working order.
- Service and clean the appliance regularly.
- Adapt your working style to suit the appliance.
- Do not overload the appliance.
- Have the appliance serviced whenever necessary.
- Switch the appliance off when it is not in use.

Limit the operating time!

All stages of the operating cycle must be considered (for example, times in which the electric tools are switched off and times in which the tool is switched on but operates without load).

Caution!

Residual risks

Even if you use this electric power tool in accordance with instructions, certain residual risks cannot be ruled out. The following hazards may arise in connection with the equipment's construction and layout:

1. Lung damage if no suitable protective dust mask is used.
2. Damage to hearing if no suitable ear protection is used.

5. Before starting the equipment

Before you connect the equipment to the mains supply make sure that the data on the rating plate are identical to the mains data.

Warning!

Always pull the power plug before making adjustments to the equipment.

- Unpack the bench-type circular saw and check it for damage which may have occurred in transit.
- The machine has to be set up where it can stand firmly, e.g. on a work bench, or it must be bolted to a strong base.
- All covers and safety devices have to be properly fitted before the machine is switched on.
- It must be possible for the saw blade to run freely.
- When working with wood that has been processed before, watch out for foreign bodies such as nails or screws etc.
- Before you actuate the On/Off switch, make sure that the saw blade is correctly fitted and that the machine's moving parts run smoothly.

6. Assembly

Danger! Pull out the power plug before carrying out any maintenance, resetting or assembly work on the circular saw!

6.1 Assembling the base frame (Fig. 3-4)

Danger! Make allowance for the weight of the machine and arrange another person to help you if necessary!

- Turn the bench-type circular over and set the saw down on the floor or on some other work surface. Important! Place suitable material (e.g. packaging material) between the table surface and the surface on which it is stood to prevent any damage to the table surface.
- Important! Only fasten all the screw connections between the base frame and machine loosely at first. Wait until you have returned the bench-type circular saw to its working position before tightening the screw connections securely. This is so that you can be sure the base frame is aligned level with the surface on which it is stood.
- Use the hexagon screws (43) to fasten the four legs (29) loosely to the saw.
- Then, using the hexagon screws (43) and the

nuts (44), fasten the longitudinal struts (31) and the cross-struts (30) loosely to the legs. Make sure that the shorter struts (30) are fastened to the side of the saw.

- Plug the rubber feet (13) onto the legs (29).

6.2 Assembling the table width extension (Fig. 5, 6)

- Use the hexagon screws (43) and the nuts (44) to fasten the table width extensions (49) loosely to the saw table (1) at position (a).
- Fit the tubular braces (50) to the table width extensions (49) and secure them loosely to the saw table (1) with the hexagon screws (43).
- Insert the struts (47, 48) between the tubular brace (50) and table width extension (49) and secure them loosely with the hexagon screw (43).
- Important! The struts for the left and right-hand sides are different in length. You therefore have to fit the long struts (47) on the left-hand side of the saw table (1) and the short struts (48) on the right-hand side.
- Remove the hexagon screws (43) from the legs (29) on the left and right-hand side of the saw to enable the struts (47, 48) to be fitted to the base frame.
- Fasten the struts (47, 48) loosely to the legs (29) with hexagon screws (43), but do not tighten.
- Align the table width extensions (49) level with the saw table (1).
- Then tighten the screw connections referred to in 6.2. Use both the wrenches (38) and (39) to do this.

6.3 Standing the bench-type circular saw upright (Fig. 2, 7-9)

- Turn the machine over so that it stands on its legs.
- The bench-type circular saw must be stood on a flat surface.
- Then tighten all loose screw connections. Use both the wrenches (38) and (39) to do this.
- Screw the additional legs (37) to the rear legs (29) so that they point towards the rear of the machine. Use the hexagon screws (43) and the nuts (44) to fasten them.
- Warning! Don not fit the additional legs (37) too far away from the surface on which the machine stands; they are intended to provide protection against tipping over.
- Fit the socket head screw (45) with the two nuts (46) to the front right leg (29). This is

- used as a holder for the push stick (3).
- To enable the machine to be used with the suction hose (10), the cap (36) on the saw blade guard (2) must be removed first. To do this, undo the screw using a crosstip screwdriver.
- Then connect the saw blade guard (2) and the side connection of the extractor adapter on the housing (16) to the suction hose (10).
- A crosstip screwdriver and hex key are not supplied with the product.

6.4 Changing the table insert (Fig. 10, 12)

- To prevent increased likelihood of injury, the table insert should be changed whenever it is worn or damaged.
- Take off the saw blade guard (2) (see 6.6).
- Remove the countersunk head screw (17).
- Take out the worn table insert (6).
- Fit the replacement table insert by following the above in reverse.

6.5 Fitting/replacing the splitter (Fig. 11, 12)

- Using the hand wheel (8), set the blade (4) to max. cutting depth, move to 0° position and lock in place.
- Remove the saw blade guard (2) (see 6.6).
- Take out the table insert (6) (see 6.4).
- Slacken the fastening screw (19) until the gap between the fastening plate (40) and the support surface opposite is approx. 5 mm.
- Caution! Do not completely undo the fastening plate (40).
- Insert the splitter (5) in the gap, push it right down as far as it goes and then secure it with the fastening screw (19). Make sure that the splitter has been fitted straight and not wobbly.
- The splitter (5) must be positioned in the center along an imaginary line extending behind the saw blade (4), so that it is not possible for the material to get jammed.
- The gap between the blade (4) and the splitter (5) should be 3 mm to 8 mm. (Fig. 11c).
- Refit the table insert (6) and the saw blade guard (2) (see 6.4, 6.6)

6.6 Fitting/changing the saw blade guard (Fig. 13)

- Mount the saw blade guard (2) on the splitter (5) so that the screw fits through the hole (18) in the splitter.
- Then insert the screw on the saw blade guard (2) through the hole (18) and tighten it.
- Important! The maximum depth that the

screw can be screwed in has been preset at the factory, so that the saw blade guard (2) is always able to move freely.

- Warning! The saw blade guard (2) must always lower to the workpiece automatically under its own weight.

6.7 Fitting/changing the saw blade (Fig. 14)

- Before changing the saw blade: Pull out the power plug!
- Wear work gloves to prevent injury when changing the saw blade.
- Using the hand wheel (8), set the saw blade (4) to the maximum cutting depth.
- Remove the saw blade guard, table insert and splitter (see 6.6, 6.4, 6.5)
- Undo the screw (15) with a wrench (38) on the screw (15) itself and a second wrench (39) on the motor shaft to apply counter-pressure.
- Caution! Turn the screw (15) in the direction of rotation of the saw blade.
- Take off the outer flange and pull the old saw blade (4) off the inner flange.
- Clean the blade flange thoroughly before fitting the new blade.
- Fit and fasten the new saw blade (4) in reverse order.
- Important! Note the running direction. The cutting angle of the teeth must point in running direction, i.e. forwards (see the arrow on the blade guard).
- Refit and set the splitter, table insert and saw blade (see 6.5, 6.4, 6.6).
- Check to make sure that all safety devices are properly mounted and in good working condition before you begin working with the saw again.
- Warning! Every time that you change the saw blade, check that the saw blade guard (2) opens and closes again in accordance with requirements. Also check that the saw blade (4) spins freely in the saw blade guard (2).
- Warning! Every time that you change the saw blade (4), check to see that it spins freely in the table insert (6) in both perpendicular and 45° angle settings.
- Warning! You should replace the table insert (6) immediately whenever it is worn or damaged (see 6.4).
- Warning! The work to change and align the saw blade (4) must be carried out correctly.

6.8 Putting away loose parts (Fig. 15)

- When not in use, the parallel stop (7) and stop rail (23) can both be secured as shown in Fig. 15a.
- The cross stop (14), push stick (3) and the two wrenches (38+39) can be secured as shown in Fig. 15b.

6.9 Connection for dust extractor (Fig. 2, 9, 26)

A connection for a dust extractor is provided on the extractor adapter on the housing (16) and on the saw blade guard (2).

6.9.1 Dust extraction using a wet & dry vac (Fig. 2, 9)

- A wet & dry vac is not supplied with the product and is available as an accessory.
- Attach the suction hose (10) to the machine as described in 6.3.
- Connect the wet & dry vac to the extractor adapter on the housing (16).

6.9.2 Dust extraction using a vacuum extraction system and extractor adapter set (Fig. 9, 26)

- The product is not supplied with an extractor adapter set or a vacuum extraction system, which are available as accessories.
- Attach the suction hose (10) to the machine as described in 6.3.
- Attach the adapter (c) of the adapter set to the extractor adapter on the housing (16).
- A vacuum extraction system can now be connected to the 100 mm diameter of the adapter (c).

7. Using the saw

7.1. ON/OFF switch (Fig. 1, 16 / Item 11)

- To turn the saw on, press the green button „I“. Wait for the blade to reach its maximum speed of rotation before commencing with the cut.
- To turn the equipment off again, press the red button „0“.

7.2. Cutting depth (Fig. 1, 16)

Turn the hand wheel (8) to set the blade (4) to the required cutting depth.

Turn anti-clockwise:

smaller cutting depth

Turn clockwise:

larger cutting depth

7.3 Parallel stop

The parallel stop (7) has to be used when making longitudinal cuts in wooden workpieces.

7.3.1 Stop height (Fig. 18, 19)

- The parallel stop (7) supplied with the bench-type circular saw has two different guide faces.
- For thin material you must use the stop rail (23) as shown in Fig. 19a, for thick material you must use the stop rail as shown in Fig. 19b.
- To change over the stop rail (23) to the lower guide face you have to slacken the two knurled screws (26).
- Remove the two screws (32) from the parallel stop through the one slot (25) in the stop rail (23).
- Thread the two screws (32) into the other slot (27) in the stop rail (23) and slide the stop rail (23) back onto the parallel stop.
- Retighten the two knurled screws (26) in order to fix the stop rail (23).
- The procedure for changing over to the high guide face is the same.
- Warning! When in use, the stop rail (23) must always be screwed to the side of the parallel stop (7) which faces the saw blade.

7.3.2. Cutting width (Fig. 17)

- The parallel stop (7) can be mounted on either side of the saw table (1).
- The parallel stop (7) has to be mounted in the guide rail (28) of the saw table (1).
- The parallel stop (7) can be set to the required dimension with the help of the scale (22) on the guide rail (28).
- You can clamp the parallel stop in the required position by pressing the eccentric lever (12).

7.3.3. Setting the stop length (Fig. 17, 18)

The stop rail (23) can be screw-fastened in two different positions.

- For a wide cutting width the stop rail (23) should be fastened in position with the screws (32) and knurled screws (26) as shown in Fig. 18b.
- For a small cutting width the stop rail (23) should be fastened in position with the screws (32) and knurled screws (26) as shown in Fig. 18c.

The stop rail (23) can also be moved, depending on the cutting width, in a longitudinal direction in order to prevent the workpiece from becoming jammed.

- Rule of thumb: The rear end of the stop comes up against an imaginary line that begins roughly at the center of the blade and runs at an angle of 45° to the rear.
- Set the required cutting width
 - Slacken the knurled screws (26) and push the stop rail (23) forward until it touches the imaginary 45° line.
 - Retighten the knurled screws (26).

Warning! The gap between the saw table (1) and the underside of the stop rail (23) must not be too large in order to prevent the material getting jammed. To adjust the distance, the parallel stop (7) must be fastened first using the eccentric lever (12). Then slacken the knurled screws (26), lower the stop rail (23) down to the saw table (1) and secure the knurled screws (26) again afterwards.

7.4 Cross stop (Fig. 20)

The cross stop (14) has to be used when making cross cuts in wooden workpieces.

- Slide the cross stop (14) into the slot (21) of the saw table.
- Undo the locking screw (20).
- Turn the stop rail (24) until the arrow points to the angle required.
- Re-tighten the fastening screw (20).
- Check the gap between the stop rail (24) and the saw blade (4).
- **Warning!** Do not push the stop rail (24) too far toward the blade. The distance between the stop rail (24) and the blade (4) should be approx. 2 cm.
- If necessary, slacken the two knurled screws (33) and adjust the stop rail (24).
- Retighten the knurled screws (33).

7.5 Setting the angle of the saw blade (Fig. 16)

- Undo the locking grip (9).
- To adjust the angle of the saw blade, press the hand wheel (8) towards the machine and turn it at the same time until the pointer (41) is aligned with the desired angular setting on the scale (42).
- Secure the locking grip (9) again.
- If needed, the end stop for adjusting the angle of the saw blade can be readjusted for 0° and 45°. To do this, adjust the two adjustment screws (34) and (35).

8. Operation

Warning!

- After every new adjustment we recommend you to make a trial cut in order to check the new settings.
- After switching on the saw, wait for the blade to reach its maximum speed of rotation before commencing with the cut.
- Take extra care when starting the cut!
- Never use the equipment without the suction function.
- Regularly check and clean the suction channels.

8.1 Making longitudinal cuts (Figure 21)

Longitudinal cutting (also known as slitting) is when you use the saw to cut along the grain of the wood. Press one edge of the workpiece against the parallel stop (7) while the flat side lies on the saw table (1). The guard hood (2) must always be lowered over the workpiece.

When you make a longitudinal cut, never adopt a working position that is in line with the cutting direction.

- Set the parallel stop (7) in accordance with the workpiece height and the desired width. (See 7.3.)
- Switch on the saw.
- Place your hands (with fingers closed) flat on the workpiece and push the workpiece along the parallel stop (7) and into the blade (4).
- Guide at the side with your left or right hand (depending on the position of the parallel stop) only as far as the front edge of the guard hood.
- Always push the workpiece through to the end of the splitter (5).
- The offcut piece remains on the saw table

(1) until the blade (4) is back in its position of rest.

- Secure long workpieces against falling off at the end of the cut (e.g. with a roller stand etc.).

8.1.1 Cutting narrow workpieces (Fig. 22)

Be sure to use a push stick (3) when making longitudinal cuts in workpieces smaller than 150 mm in width. A push block is supplied with the saw! Replace a worn or damaged push stick immediately.

8.1.2 Cutting extremely narrow workpieces (Fig. 23)

- Be sure to use a push block when making longitudinal cuts in very narrow workpieces with a width of 50 mm and less.
- The low guide face of the parallel stop is best used in this case.
- There is no push block supplied with the saw! (Available from your specialist dealer). Replace the push block without delay when it becomes worn.

8.2 Making bevel cuts (Fig. 24)

Bevel cuts must always be used using the parallel stop (7).

If you tilt the saw blade (4) to the left when making angular cuts, position the parallel stop (7) on the right-hand side of the saw blade (4). Guide the workpiece between the saw blade (4) and the parallel stop (7).

- Set the blade (4) to the desired angle. (See 7.5.)
- Set the parallel stop (7) in accordance with the workpiece width and height (see 7.3)
- Carry out the cut in accordance with the workpiece width (see 8.1.1., 8.1.2.)

8.3 Making cross cuts (Fig. 25)

- Slide the cross stop (21) into one of the grooves (21) in the table and adjust to the required angle. (See 7.4.) If you also want to tilt the blade (4), use the groove (21) which prevents your hand and the cross stop from making contact with the blade guard.
- Press the workpiece firmly against the cross stop (14).
- Switch on the saw.
- Push the cross stop (14) and the workpiece toward the blade in order to make the cut.
- **Warning!**
Always hold the guided part of the workpiece. Never hold the part which is to be cut off.

- Push the cross stop (14) forward until the workpiece is cut all the way through.
- Switch off the saw again. Do not remove the offcut until the blade has stopped rotating.

9. Replacing the power cable

Danger!

If the power cable for this equipment is damaged, it must be replaced by the manufacturer or its after-sales service or similarly trained personnel to avoid danger.

10. Cleaning, maintenance and ordering of spare parts

Danger!

Always pull out the mains power plug before starting any cleaning work.

10.1 Cleaning

- Keep all safety devices, air vents and the motor housing free of dirt and dust as far as possible. Wipe the equipment with a clean cloth or blow it with compressed air at low pressure.
- We recommend that you clean the device immediately each time you have finished using it.
- Clean the equipment regularly with a moist cloth and some soft soap. Do not use cleaning agents or solvents; these could attack the plastic parts of the equipment. Ensure that no water can seep into the device. The ingress of water into an electric tool increases the risk of an electric shock.

10.2 Carbon brushes

In case of excessive sparking, have the carbon brushes checked only by a qualified electrician.

Danger! The carbon brushes should not be replaced by anyone but a qualified electrician.

10.3 Maintenance

There are no parts inside the equipment which require additional maintenance.

10.4 Ordering spare parts and accessories

Please provide the following information when ordering spare parts:

- Type of unit
- Article number of the unit
- ID number of the unit
- Spare part number of the required spare part

For our latest prices and information please go to www.isc-gmbh.info

10.5 Transport

Only ever transport the machine by lifting it by the saw table. Never use the safety devices such as the saw blade guard and stop rails for handling or transporting purposes.

11. Disposal and recycling

The equipment is supplied in packaging to prevent it from being damaged in transit. The raw materials in this packaging can be reused or recycled. The equipment and its accessories are made of various types of material, such as metal and plastic. Never place defective equipment in your household refuse. The equipment should be taken to a suitable collection center for proper disposal. If you do not know the whereabouts of such a collection point, you should ask in your local council offices.

12. Storage

Store the equipment and accessories in a dark and dry place at above freezing temperature. The ideal storage temperature is between 5 and 30 °C. Store the electric tool in its original packaging.



For EU countries only

Never place any electric power tools in your household refuse.

To comply with European Directive 2012/19/EC concerning old electric and electronic equipment and its implementation in national laws, old electric power tools have to be separated from other waste and disposed of in an environment-friendly fashion, e.g. by taking to a recycling depot.

Recycling alternative to the return request:

As an alternative to returning the equipment to the manufacturer, the owner of the electrical equipment must make sure that the equipment is properly disposed of if he no longer wants to keep the equipment. The old equipment can be returned to a suitable collection point that will dispose of the equipment in accordance with the national recycling and waste disposal regulations. This does not apply to any accessories or aids without electrical components supplied with the old equipment.

The reprinting or reproduction by any other means, in whole or in part, of documentation and papers accompanying products is permitted only with the express consent of the iSC GmbH.

Subject to technical changes

- The product meets the requirements of EN 61000-3-11 and is subject to special connection conditions. This means that use of the product at any freely selectable connection point is not allowed.
- Given unfavorable conditions in the power supply the product can cause the voltage to fluctuate temporarily.
- The product is intended solely for use at connection points that
 - a) do not exceed a maximum permitted supply impedance $Z_{\text{sys}} = 0.25 + j0.25$, or
 - b) have a continuous current-carrying capacity of the mains of at least 100 A per phase.
- As the user, you are required to ensure, in consultation with your electric power company if necessary, that the connection point at which you wish to operate the product meets one of the two requirements, a) or b), named above.

Service information

We have competent service partners in all countries named on the guarantee certificate whose contact details can also be found on the guarantee certificate. These partners will help you with all service requests such as repairs, spare and wearing part orders or the purchase of consumables.

Please note that the following parts of this product are subject to normal or natural wear and that the following parts are therefore also required for use as consumables.

Category	Example
Wear parts*	V-belt, carbon brushes, table insert, push stick
Consumables*	Saw blade
Missing parts	

* Not necessarily included in the scope of delivery!

In the event of defects or faults, please register the problem on the internet at www.isc-gmbh.info. Please ensure that you provide a precise description of the problem and answer the following questions in all cases:

- Did the equipment work at all or was it defective from the beginning?
- Did you notice anything (symptom or defect) prior to the failure?
- What malfunction does the equipment have in your opinion (main symptom)?
Describe this malfunction.

Warranty certificate

Dear Customer,

All of our products undergo strict quality checks to ensure that they reach you in perfect condition. In the unlikely event that your device develops a fault, please contact our service department at the address shown on this guarantee card. You can also contact us by telephone using the service number shown. Please note the following terms under which guarantee claims can be made:

1. These guarantee terms apply to consumers only, i.e. natural persons intending to use this product neither for their commercial activities nor for any other self-employed activities. These warranty terms regulate additional warranty services, which the manufacturer mentioned below promises to buyers of its new products in addition to their statutory rights of guarantee. Your statutory guarantee claims are not affected by this guarantee. Our guarantee is free of charge to you.
2. The warranty services cover only defects due to material or manufacturing faults on a product which you have bought from the manufacturer mentioned below and are limited to either the rectification of said defects on the product or the replacement of the product, whichever we prefer.
Please note that our devices are not designed for use in commercial, trade or professional applications. A guarantee contract will not be created if the device has been used by commercial, trade or industrial business or has been exposed to similar stresses during the guarantee period.
3. The following are not covered by our guarantee:
 - Damage to the device caused by a failure to follow the assembly instructions or due to incorrect installation, a failure to follow the operating instructions (for example connecting it to an incorrect mains voltage or current type) or a failure to follow the maintenance and safety instructions or by exposing the device to abnormal environmental conditions or by lack of care and maintenance.
 - Damage to the device caused by abuse or incorrect use (for example overloading the device or the use of unapproved tools or accessories), ingress of foreign bodies into the device (such as sand, stones or dust, transport damage), the use of force or damage caused by external forces (for example by dropping it).
 - Damage to the device or parts of the device caused by normal or natural wear or tear or by normal use of the device.
4. The guarantee is valid for a period of 3 years starting from the purchase date of the device. Guarantee claims should be submitted before the end of the guarantee period within two weeks of the defect being noticed. No guarantee claims will be accepted after the end of the guarantee period. The original guarantee period remains applicable to the device even if repairs are carried out or parts are replaced. In such cases, the work performed or parts fitted will not result in an extension of the guarantee period, and no new guarantee will become active for the work performed or parts fitted. This also applies if an on-site service is used.
5. To make a claim under the guarantee, please register the defective device at: www.isc-gmbh.info. Please keep your bill of purchase or other proof of purchase for the new device. Devices that are returned without proof of purchase or without a rating plate shall not be covered by the guarantee, because appropriate identification will not be possible. If the defect is covered by our guarantee, then the item in question will either be repaired immediately and returned to you or we will send you a new replacement.

Of course, we are also happy offer a chargeable repair service for any defects which are not covered by the scope of this guarantee or for units which are no longer covered. To take advantage of this service, please send the device to our service address.

Also refer to the restrictions of this warranty concerning wear parts, consumables and missing parts as set out in the service information in these operating instructions.

- D** erklärt folgende Konformität gemäß EU-Richtlinie und Normen für Artikel
- GB** explains the following conformity according to EU directives and norms for the following product
- F** déclare la conformité suivante selon la directive CE et les normes concernant l'article
- I** dichiara la seguente conformità secondo la direttiva UE e le norme per l'articolo
- NL** verklaart de volgende overeenstemming conform EU richtlijn en normen voor het product
- E** declara la siguiente conformidad a tenor de la directiva y normas de la UE para el artículo
- P** declara a seguinte conformidade, de acordo com as diretiva CE e normas para o artigo
- DK** attesterer følgende overensstemmelse i medfør af EU-direktiv samt standarder for artikel
- S** förklarar följande överensstämmelse enl. EU-direktiv och standarder för artikeln
- FIN** vakuuttaa, että tuote täyttää EU-direktiivin ja standardien vaatimukset
- EE** tõendab toote vastavust EL direktiivile ja standarditele
- CZ** vydává následující prohlášení o shodě podle směrnice EU a norem pro výrobek
- SLO** potrjuje sledečo skladnost s smernico EU in standardi za izdelek
- SK** vydáva nasledujúce prehlásenie o zhode podľa smernice EU a noriem pre výrobok
- H** a cikkekhez az EU-irányvonal és Normák szerint a következő konformitást jelenti ki
- PL** deklaruje zgodność wymienionego poniżej artykułu z następującymi normami na podstawie dyrektywy WE.
- BG** декларира съответното съответствие съгласно Директива на ЕС и норми за артикул
- LV** paskaidro šādu atbilstību ES direktīvai un standartiem
- LT** apibūdina šį atitikimą EU reikalavimams ir prekės normoms
- RO** declară următoarea conformitate conform directivei UE și normelor pentru articolul
- GR** δηλώνει την ακόλουθη συμμόρφωση σύμφωνα με την Οδηγία ΕΚ και τα πρότυπα για το προϊόν
- HR** potvrđuje sljedeću usklađenost prema smjernicama EU i normama za artikl
- BIH** potvrđuje sljedeću usklađenost prema smjernicama EU i normama za artikl
- RS** potvrđuje sledeću usklađenost prema smernicama EZ i normama za artikal
- RUS** следующим удостоверяется, что следующие продукты соответствуют директивам и нормам ЕС
- UKR** проголошує про зазначену нижче відповідність виробу директивам та стандартам ЄС на виріб
- MK** ja izjavуva следната сообрзност согласно EU-директивата и нормите за артикли
- TR** Ürünü ile ilgili AB direktifleri ve normları gereğince aşağıda açıklanan uygunluğu belirtir
- N** erklærer følgende samsvar i henhold til EU-direktiv og standarder for artikkel
- IS** Lýsir uppfyllingu EU-reglna og annarra staðla vöru

Bench-type circular saw TSF-1211U (Ozito)

- 2014/29/EU
- 2005/32/EC_2009/125/EC
- 2014/35/EU
- 2006/28/EC
- 2014/30/EU
- 2014/32/EU
- 2014/53/EU
- 2014/68/EU
- (EU)2016/426
Notified Body:
- (EU)2016/425
- 2011/65/EU_(EU)2015/863
- 2006/42/EC
- Annex IV
Notified Body: TÜV Süd Product Service GmbH (0123)
Ridlerstraße 65, D-80339 München, Germany
Reg. No.: M6A 024192 1905 Rev.00
- 2000/14/EC_2005/88/EC
- Annex V
- Annex VI
Noise: measured L_{WA} = dB (A); guaranteed L_{WA} = dB (A)
P = KW; L/Ø = cm
Notified Body:
- 2012/46/EU_(EU)2016/1628
Emission No.:

**Standard references: EN 62841-1; EN 62841-3-1;
EN 55014-1; EN 55014-2; EN 61000-3-2; EN 61000-3-11**

Landau/Isar, den 05.11.2019

Andreas Weichselgartner/General-Manager

Dong/Product-Management

First CE: 19
Art.-No.: 43.405.42 I.-No.: 11029
Subject to change without notice

Archive-File/Record: NAPR022332
Documents registrar: Korbinian Wasmeier
Wiesenweg 22, D-94405 Landau/Isar



A series of horizontal lines for writing, starting from the top right and extending down to the bottom of the page.



A series of horizontal lines for writing, starting from the top right and extending down to the bottom of the page.



EH 11/2019 (01)

