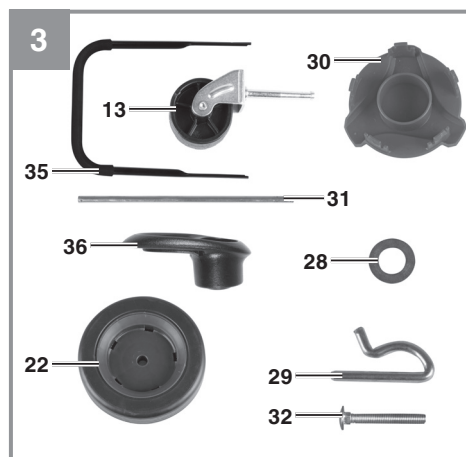
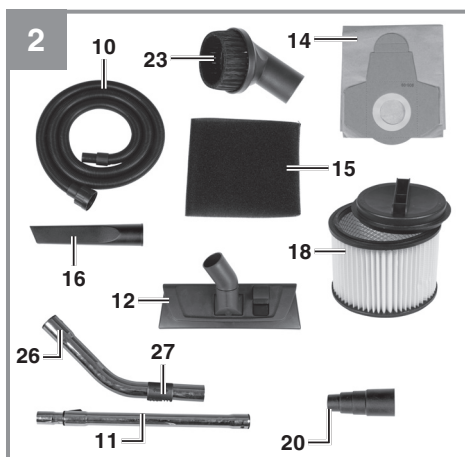


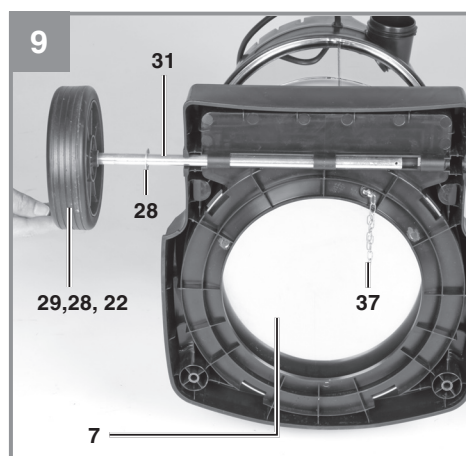
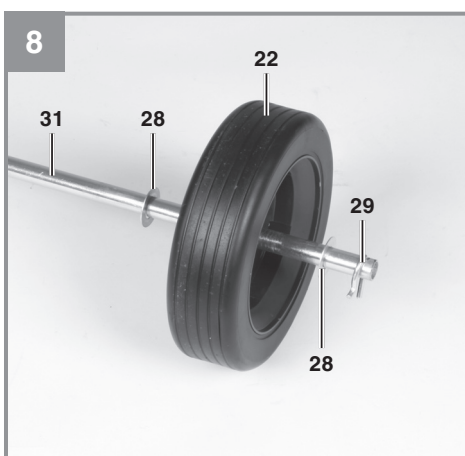
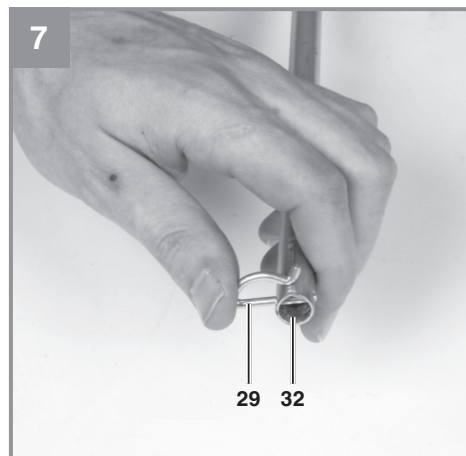
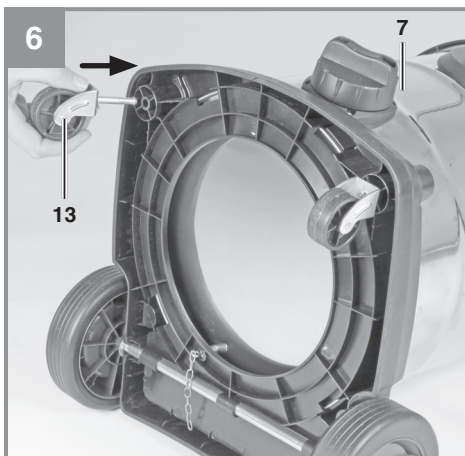
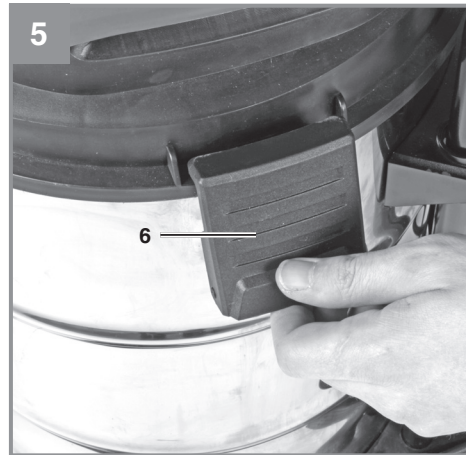
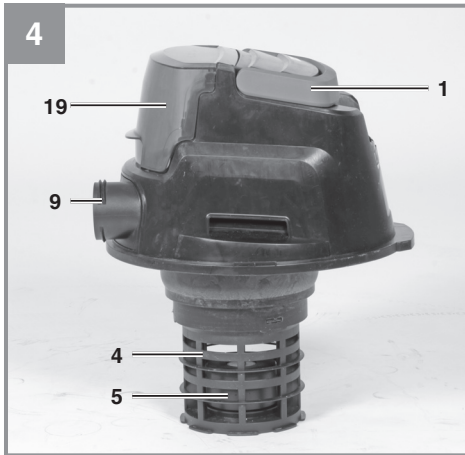
- EN** Operating instructions
Cordless wet/dry vacuum
- FR** Mode d'emploi
Aspirateur sec/humide sans fil
- SP** Manual de instrucciones
Aspiradora para seco/mojado
inalámbrica

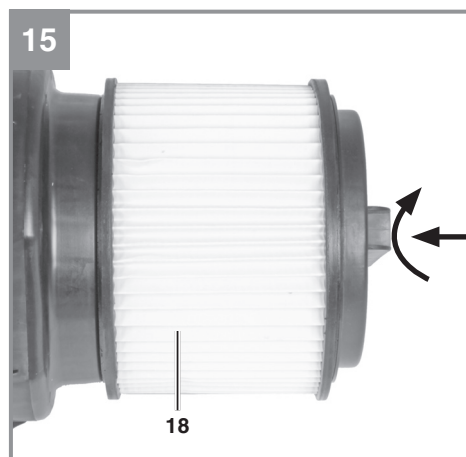
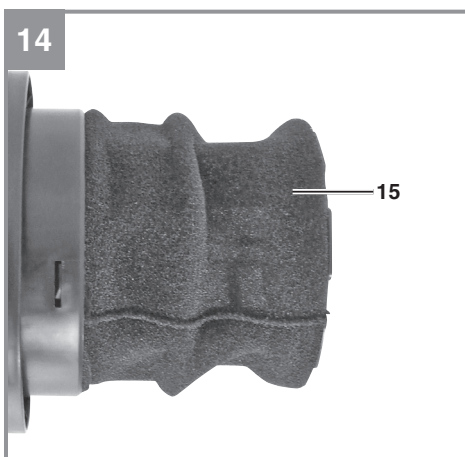
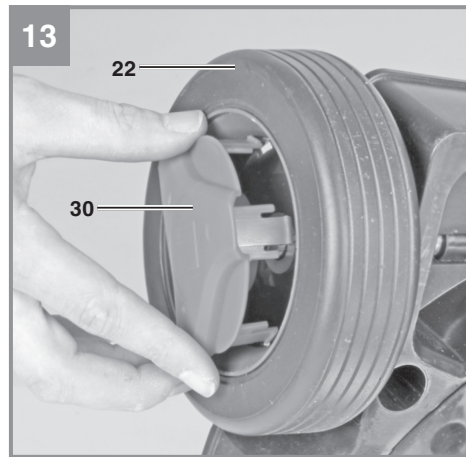
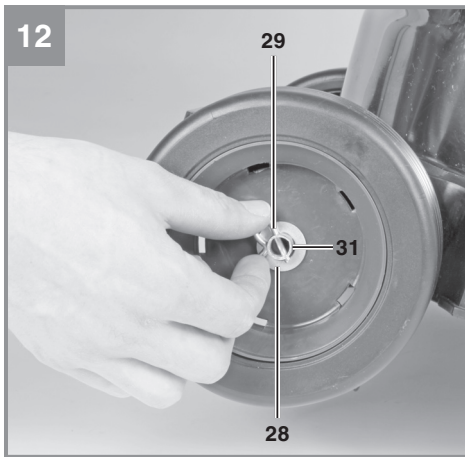
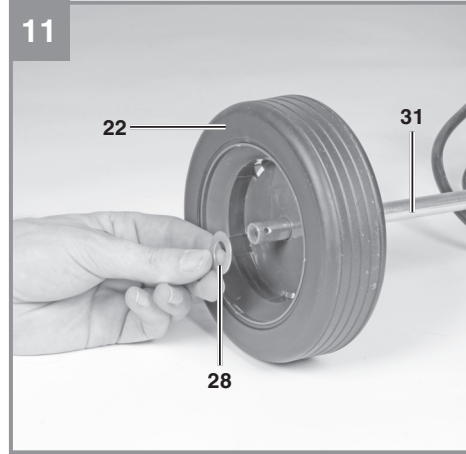
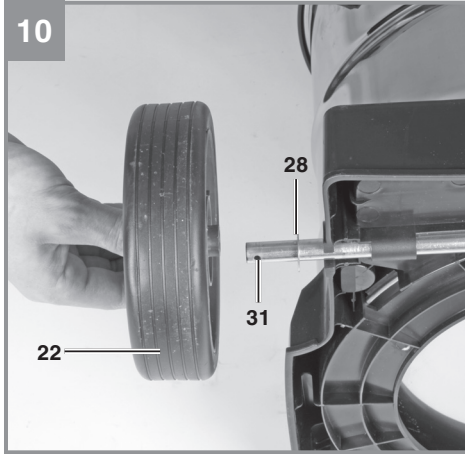


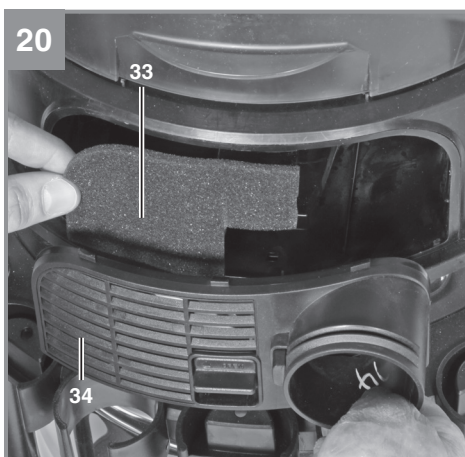
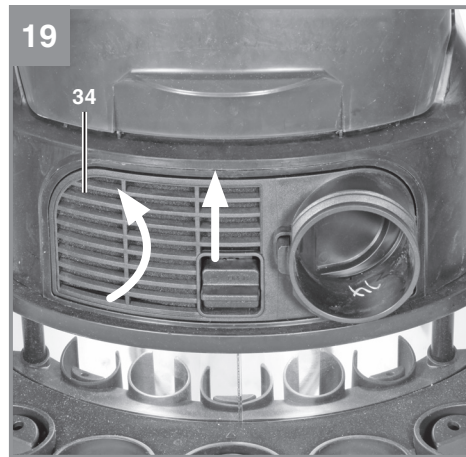
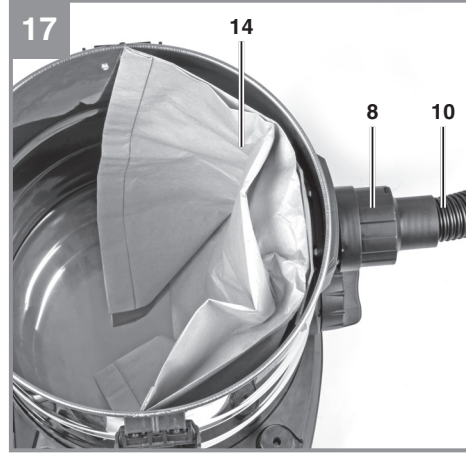
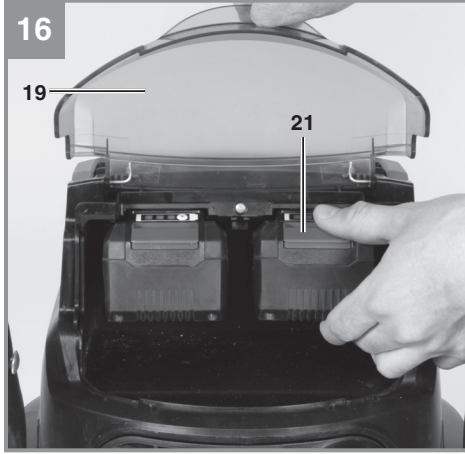
Art.-Nr.: 2347141

I.-Nr.: 21021











Danger! - Read the operating instructions to reduce the risk of injury.



Store the batteries only in dry rooms with an ambient temperature of 50°F to 104°F (+10°C to +40°C).
Place only fully charged batteries in storage (charged at least 40%).

ECO



Vacuum setting 1

BOOST



Vacuum setting 2

DANGER!

When using the equipment, a number of safety precautions must be observed to avoid injuries and damage. Please read the complete operating instructions and safety information with due care. Keep these operating instructions in a safe place so that the information is available at all times. If you give the equipment to any other person, hand over these operating instructions and the safety information as well. We cannot accept any liability for damage or accidents which arise due to failure to follow these instructions and the safety information.

1. Safety information

IMPORTANT SAFETY INSTRUCTIONS

When using an electrical appliance, basic precautions should always be followed, including the following:

READ ALL INSTRUCTIONS BEFORE USING (THIS APPLIANCE). **Failure to follow the warnings and instructions may result in electric shock, fire and/or serious injury.**

WARNING—To reduce the risk of fire, electric shock, or injury:

1. Indoor use only.
2. Do not allow to be used as a toy. Close attention is necessary when used by or near children, pets or plants.
3. Use only as described in this manual. Use only manufacturer's recommended attachments
4. Do not use with damaged cord or plug. If appliance is not working as it should, has been dropped, damaged, left outdoors, or dropped into water, return it to a service center.
5. Do not pull or carry by cord, use cord as a handle, close a door on cord, or pull cord around sharp edges or corners. Do not run appliance over cord. Keep cord away from heated surfaces.
6. Do not unplug by pulling on cord. To unplug, grasp the plug, not the cord.
7. **Do not handle charger, including charger plug, and charger terminals with wet hands**
8. Do not put any object into openings. Do not use with any opening blocked; keep free of dust, lint, hair, and anything that may reduce air flow.
9. Keep hair, loose clothing, fingers, and all parts of body away from openings and moving parts.
10. Use extra care when cleaning on stairs.
11. Do not use to pick up flammable or combustible liquids, such as gasoline, or use in areas where they may be present.
12. Do not pick up anything that is burning or smoking, such as cigarettes, matches, or hot ashes.
13. Do not use without filter
14. Prevent unintentional starting. Ensure the switch is in the off-position before connecting to battery pack, picking up or carrying the appliance. Carrying the appliance with your finger on the switch or energizing appliance that have the switch on invites accidents.
15. Disconnect the battery pack from the appliance before making any adjustments, changing accessories, or storing appliance. Such preventive safety measures reduce the risk of starting the appliance accidentally.
16. Recharge only with the charger specified by the manufacturer. A charger that is suitable for one type of battery pack may create a risk of fire when used with another battery pack.
17. Use appliances only with specifically designated battery packs. Use of any other battery packs may create a risk of injury and fire.
18. When battery pack is not in use, keep it away from other metal objects, like paper clips, coins, keys, nails, screws or other small metal objects, that can make a connection from one terminal to another. Shorting the battery terminals together may cause burns or a fire.
19. Under abusive conditions, liquid may be ejected from the battery; avoid contact. If contact accidentally occurs, flush with water. If liquid contacts eyes, additionally seek medical help. Liquid ejected from the battery may cause irritation or burns.
20. Do not use a battery pack or appliance that is damaged or modified. Damaged or modified batteries may exhibit unpredictable behavior resulting in fire, explosion or risk of injury.
21. Do not expose a battery pack or appliance to fire or excessive temperature. Exposure to fire or temperature above 130°C may cause explosion.
22. Follow all charging instructions and do not charge the battery pack or appliance outside of the temperature range specified in the instructions. Charging improperly or at temperatures outside of the specified range

- may damage the battery and increase the risk of fire.
23. Have servicing performed by a qualified repair person using only identical replacement parts. This will ensure that the safety of the product is maintained.
 24. Do not modify or attempt to repair the appliance or the battery pack except as indicated in the instructions for use and care.

SAVE THESE INSTRUCTIONS

Household use only.

2. Layout and items supplied

2.1 Layout

1. Carry-handle
2. On/Off/Vacuum setting switch
3. Head
4. Filter cage
5. Safety float valve
6. Locking hook
7. Tank
8. Suction hose connection
9. Blow connector
10. Flexible suction hose
11. Suction tube, telescopic
12. Combination nozzle
13. Castors
14. Dust bag
15. Foam filter
16. Crevice nozzle
17. Water drain screw
18. Pleated filter with cover
19. Battery cover
20. Tool adapter
21. Pushlock button
22. Wheels
23. Upholstery nozzle
24. Holder for push bar
25. Accessory compartment
26. Handle
27. Air regulator
28. Washers for fitting the wheels (4x)
29. Split pins for fitting the wheels (2x)
30. Covers for fitting the wheels (2x)
31. Axle for fitting the wheels
32. Screws for push bar assembly(2x)
33. Filters
34. Filter cover
35. Push bar
36. Fastening nuts for push bar
37. Chain

38. Push bar mounts
39. Battery capacity indicator
40. Battery capacity indicator button

2.2 Items supplied

Please check that the article is complete as specified in the scope of delivery. If parts are missing, please contact our service center or the store where you made your purchase at the latest within 5 work days after purchasing the article and upon presentation of a valid bill of purchase.

- Open the packaging and take out the equipment with care.
- Remove the packaging material and any packaging and/or transportation braces (if present).
- Check to see if all the items are supplied.
- Inspect the equipment and accessories for transport damage.
- If possible, keep the packaging until the end of the guarantee period.

Danger!

The equipment and packaging material are not toys. Do not let children play with plastic bags, plastic sheets and small parts. There is a risk of choking and suffocating!

- Original operating instruction with safety information

The equipment comes with a chain (37) on the tank bottom. The chain helps to prevent static charging during use.

Separately available accessories

- 18V 1.5Ah PXC Lithium-Ion battery
- 18V 2.0Ah PXC Lithium-Ion battery
- 18V 2.5Ah PXC Lithium-Ion battery
- 18V 3.0Ah PXC Lithium-Ion battery
- 18V 4.0Ah PXC Lithium-Ion battery
- 18V 3.0Ah PXC Plus Lithium-Ion battery
- 18V 4.0Ah PXC Plus Lithium-Ion battery
- 18V 5.2Ah PXC Plus Lithium-Ion battery
- 18V 4.0Ah/6.0Ah PXC Plus Lithium-Ion battery
- 18V 5.0Ah/8.0Ah PXC Plus Lithium-Ion battery
- 18V PXC Dual Port Fast Charger
- 18V PXC Fast Charger

Contact your local retailer for more specific models of batteries and charger available in your area. You can also explore battery + charger options at Einhell.com.


3. Intended use

The cordless wet/dry vacuum is designed for wet and dry vacuuming using the appropriate filter. The equipment is not suitable for the vacuuming of combustible, explosive or harmful substances.

The equipment is allowed to be used only for its prescribed purpose. Any other use is deemed to be a case of misuse. The user/operator and not the manufacturer will be liable for any damage or injuries of any kind resulting from such misuse.

Please note that our equipment has not been designed for use in commercial, trade or industrial applications. Our warranty will be voided if the equipment is used in commercial, trade or industrial businesses or for equivalent purposes.

4. Technical data

Motor power supply:36 V  (2x 18 V)
 Air flow: 56 CFM (1.59 m³/min)
 Sealed suction:
 BOOST: 59" (water lift) (150 mbar)
 ECO: 40" (water lift) (100 mbar)
 Vacuum hose length: 8.2 ft (2.5 m)
 Tank capacity: 8 Gallon (30 l)
 Weight: 17.6 lbs (8 kg)

5. Before starting the equipment

5.1 Assembling the equipment

Fitting the appliance head (Fig. 1/5)

The equipment head (3) is fastened to the tank (7) by the locking hook (6). To remove the equipment head (3), open the locking hook (6) and take off the equipment head (3). When fitting the equipment head (3), make sure that the locking hook (6) locks into place correctly.

Fitting the wheels (Fig. 7-13)

Place a split pin for fitting the wheels (29) through the appropriate hole in the axle (31) and fit a washer (28), a wheel (22) and a washer to the axle (31) (Fig. 7-8). Now slide the axle (31) through the guides provided for it on the underside of the tank (7) (Fig. 9). Fit a washer and the second wheel (22) to the empty end of the axle (31) and secure it with the other washer (28) and the split pin (29) (Fig. 10-12). Push the covers

(30) on to the outside of the wheels (22) so that the detents engage on the covers (30) for the wheel (22). (Fig. 13)

Fitting the castors (Fig. 6/Item 13)

Fit the castors (13) into the appropriate mountings on the underside of the tank (7). Push the castors (13) firmly into the mounting until they engage with a clicking noise (Fig. 6).

Fitting the push bar (Fig. 18)

Fit the push bar handle (35) onto the push bar mounts (38) of the tank and secure the push bar with the supplied screws (32) and fastening nuts (36) as shown in Figure 18.

5.2 Fitting the filters

Important!

Never use the wet/dry vacuum without a filter. Always ensure that the filters are securely seated.

Fitting the foam filter (Fig. 14/Item 15)

For wet-vacuuming, slip the supplied foam filter (15) over the filter basket (Fig. 4/Item 4).

Fitting the pleated filter (Fig. 15)

For dry-vacuuming, slip the pleated filter (Fig. 18) onto the filter basket (Fig. 4/Item 4) and secure in place by rotating clockwise until the locking knobs connect. The pleated filter is suitable for dry-vacuuming only.

Fitting the dust bag (Fig. 17/Item 14)

For vacuuming fine, dry dirt it is recommended that you fit the dust bag (Fig. 2/Item 14). Slip the dust bag (14) over the vacuuming hole. The dust bag (14) is suitable for dry-vacuuming only. The dust bag makes it easier to dispose of the sucked-in dust.

5.3 Fitting the suction hose (Fig. 17/Item 10)

Connect the suction hose (10) to the corresponding connector on the wet/dry vacuum, depending on the application required.

Vacuuming

Connect the suction hose (10) to the suction hose connector (8).

Blowing

Connect the suction hose (10) to the blow connector (9).

Air regulator (Fig. 2/Item 27)

The air regulator (27) can be fitted between the suction hose (10) and the suction tube (11). The suction power of the nozzle can be infinitely adjusted using the air regulator (27).

When wet vacuuming, make selective use of the air regulator to suck in air as well as liquids. This will help to take some strain off the equipment when vacuuming liquids.

5.4 Suction nozzles

Combination nozzle (Fig. 2)

The dual-purpose nozzle (12) is for vacuuming solids and liquids over medium to large areas.

Crevice nozzle (Fig. 2)

The crevice nozzle (16) is designed for vacuuming solids and liquids in corners, edges and other areas that are difficult to access.

Upholstery nozzle (Fig. 2)

The upholstery nozzle (23) is specially designed for vacuuming solids on upholstery and carpets.

Fitting the Lithium-Ion battery (not included) (Fig. 16)

Flip up the battery cover (19) as shown in Figure 16. Slot the two rechargeable batteries into the mounts. The device does not work with only one battery

6. Operation**6.1 On/Off switch (Fig. 1/Item 2)**

Switch position 0: Off

Switch position I: Vacuum setting 1 (ECO)

Switch position II: Vacuum setting 2 (BOOST)

6.2 Dry vacuuming

Use the pleated filter (18) for dry vacuuming (see point 5.2). The dust bag (14) can be fitted in addition when removing particularly stubborn dirt (see point 5.3).

Always ensure that the filters are securely seated.

6.3 Wet vacuuming

For wet-vacuuming, use the foam filter (15) (see point 5.2).

Check that the filter is securely seated at all times.

Water drain screw (Fig.1)

To make the tank (7) easier to empty after wet vacuuming, it is fitted with a water drain screw (17).

Open the water drain screw (17) by turning it anti-clockwise and drain the liquid.

When wet-vacuuming, the floating safety switch (Fig. 4/Item 5) closes when the maximum tank level is reached. At the same time, the suction noise of the equipment will change and become louder.

You must then switch off the equipment and empty the tank.

Danger!

The wet/dry vacuum is not suitable for the vacuuming of combustible liquids. For wet vacuuming, use only the supplied foam filter.

6.4 Blowing

Connect the suction hose (10) to the blow connector (9) on the wet/dry vacuum.

6.5 Charging the Lithium-Ion battery (not included)

The corresponding instructions can be found in the original operating instructions for your charger.

6.6 Battery capacity indicator (Fig. 21 / item 19)

Press the battery capacity indicator switch (40).

The battery capacity indicator (39) shows the charge status of the battery using 3 LEDs.

All 3 LEDs lit:

The battery is fully charged.

2 or 1 LED(s) lit:

The battery has an adequate remaining charge.

1 LED flashing:

The battery is empty, recharge the battery.

All LEDs flashing:

The temperature of the battery is too low. Remove the battery from the device and leave it at room temperature for a day. If the error occurs again, this means that the battery has been completely depth-discharged and is defective. Remove the battery from the device. Never use or charge a defective battery.

7. Cleaning and maintenance

HAZARD!

Always pull out the battery pack before starting any cleaning work.

7.1 Cleaning

- Keep all safety devices, air vents and the motor housing free of dirt and dust as far as possible.
- We recommend cleaning the equipment immediately each time after use.

7.2 Cleaning the appliance head (Fig. 1/Item 3)

Clean the equipment regularly with a damp cloth and some soft soap. Do not use cleaning agents or solvents; these may be aggressive to the plastic parts in the equipment.

7.3 Cleaning the tank (Fig. 1/Item 7)

The tank can be cleaned with a damp cloth and some soft soap or under running water, depending on the amount of dirt.

7.4 Cleaning the filters

Cleaning the pleated filter (Fig. 2)

Clean the pleated filter (18) regularly by carefully patting it and cleaning it with a fine brush or hand brush.

Cleaning the foam filter (Fig. 2)

Clean the foam filter (15) with a little soft soap under running water and allow it to air-dry.

Cleaning the filter (Figs. 19/20)

The filter (33) should be checked and cleaned after every use.

1. Remove the filter cover (34) (Fig. 19).
2. Take out the filter (33) (Fig. 20)
3. Clean the filter by tapping it or blowing it out.
4. Assemble in reverse order

7.5 Maintenance

At regular intervals and before each use, check that the filters in the wet/dry vacuum are securely fitted.

8. Disposal and recycling

The equipment is supplied in packaging to prevent it from being damaged in transit. The raw materials in this packaging can be reused or recycled. The equipment and its accessories are made of various types of material, such as metal and plastic. Never place defective equipment in your household refuse. The equipment should be taken to a suitable collection center for proper disposal. If you do not know the whereabouts of such a collection point, you should ask in your local council offices.

9. Storage

Store the equipment and its accessories out of children's reach in a dark and dry place at above freezing temperature. The ideal storage temperature is between 41°F and 86°F (5°C and 30°C). Keep the electric tool in its original packaging.

The reprinting or reproduction by any other means, in whole or in part, of documentation and papers accompanying the products is strictly subject to the express consent of Einhell Germany AG.

Subject to technical changes.



Danger! - Lire le mode d'emploi pour diminuer le risque de blessures.



Conservez les batteries uniquement dans des locaux secs et à une température ambiante de 50-104 °F (+10-+40 °C). Conservez les batteries uniquement en état chargé (au moins 40 % de charge).

ECO



Niveau d'aspiration 1

BOOST



Niveau d'aspiration 2

Danger !

Certaines mesures de sécurité doivent être respectées pendant l'utilisation des appareils pour empêcher les blessures et les dommages. Par conséquent, lisez attentivement le présent mode d'emploi / les consignes de sécurité. Conservez-les bien pour avoir les informations toujours à la portée de la main. Si vous devez passer l'appareil à d'autres personnes, veuillez leur remettre également le présent mode d'emploi / les consignes de sécurité. Nous ne sommes pas tenus des accidents ou dommages survenus à cause de non-respect du présent mode d'emploi et des consignes de sécurité.

1. Consignes de sécurité**IMPORTANTES MESURES DE SÉCURITÉ**

L'utilisation d'un appareil électrique demande certaines précautions:

LIRE TOUTES LES INSTRUCTIONS AVANT DE FAIRE FONCTIONNER (CET APPAREIL), Le non-respect des mises en garde et des instructions peut causer des chocs électriques, des incendies et/ou des blessures graves.

AVERTISSEMENT. Pour réduire les risques d'incendie, de choc électrique ou de blessure:

1. Utilisation intérieure seulement.
2. Ne pas permettre aux enfants de jouer avec l'appareil. Une attention particulière est nécessaire lorsque l'appareil est utilisé par des enfants ou à proximité de ces derniers.
3. N'utiliser que conformément à cette notice avec les accessoires recommandés par le fabricant.
4. Ne pas utiliser si le cordon ou la fiche est endommagé. Retourner l'appareil à un atelier de réparation s'il ne fonctionne pas bien, s'il est tombé ou s'il a été endommagé, oublié à l'extérieur ou immergé.
5. Ne pas tirer, soulever ni trainer l'appareil par le cordon. Ne pas utiliser le cordon comme une poignée, le coincer dans l'embrasure d'une porte ou l'appuyer contre des arêtes vives ou des coins. Ne pas faire rouler l'appareil sur le cordon. Garder le cordon à l'écart des surfaces chaudes.
6. Ne pas débrancher en tirant sur le cordon. Tirer plutôt la fiche.
7. Ne pas manipuler le chargeur, y compris la prise du chargeur, et les bornes du chargeur avec les mains mouillées.
8. N'insérez aucun objet dans les ouvertures. Ne pas utiliser l'appareil lorsqu'une ouverture est bloquée. S'assurer que de la poussière, de la peluche, des cheveux ou d'autres matières ne réduisent pas le débit d'air.
9. Maintenir les cheveux, les vêtements amples, les doigts et toutes les parties du corps à l'écart des ouvertures et des pièces mobiles.
10. Utilisez de la prudence lors du nettoyage des escaliers.
11. Ne pas aspirer des liquides inflammables ou combustibles, comme de l'essence, et ne pas faire fonctionner dans des endroits où peuvent se trouver de tels liquides.
12. Ne pas aspirer de matières en combustion ou qui dégagent de la fumée, comme des cigarettes, des allumettes ou des cendres chaudes.
13. Ne pas utiliser l'aspirateur sans son filtre.
14. Empêchez une mise en marche accidentelle. S'assurer que l'interrupteur est à la position arrêt avant de raccorder la batterie, de lever ou de déplacer l'appareil. Transportez l'appareil en gardant un doigt sur l'interrupteur, ou mettre sous tension un appareil dont l'interrupteur est à la position marche peut causer un accident.
15. Retirez la batterie de l'appareil avant d'effectuer des réglages, changer les accessoires ou ranger l'appareil. Ces mesures de sécurité ont pour but d'éviter une mise en marche accidentelle de l'appareil.
16. Rechargez uniquement avec le chargeur prescrit par le fabricant. Un chargeur convenant à un type de batterie peut présenter un risque d'incendie lorsqu'il est utilisé avec une autre batterie.
17. Utilisez uniquement les batteries recommandées pour l'appareil. L'utilisation d'autres types de batteries peut présenter un risque de blessure ou d'incendie.
18. Lorsque l'appareil n'est pas utilisé, tenez la batterie loin d'objets métalliques comme des trombones, des pièces de monnaie, des clés, des clous, des vis ou autres petits objets qui pourraient établir une liaison entre les bornes. Un court-circuit des bornes des batteries peut causer des brûlures ou un incendie.
19. En condition d'usage abusif, du liquide peut s'échapper de la batterie ; évitez tout contact avec ce liquide. En cas de contact accidentel, rincez abondamment avec de l'eau. En cas de contact avec les yeux, consultez également un médecin. Le liquide projeté peut causer des irritations ou des brûlures.

20. Ne pas utiliser une batterie ou un appareil endommagé ou qui a été modifié. Des batteries endommagées ou modifiées peuvent avoir un comportement imprévisible pouvant causer un incendie, une explosion ou un risque de blessure.
21. Ne pas exposer une batterie ou un appareil à la flamme ou à des températures excessives. L'exposition à une flamme ou à des températures supérieures à 130 °C peut causer une explosion.
22. Respectez toutes les instructions de chargement et ne pas charger la batterie ou l'appareil à des températures qui ne sont pas incluses dans la gamme de températures indiquées dans la notice d'instructions. Un chargement mal effectué.
23. Confiez les réparations à une personne qualifiée qui utilisera uniquement des pièces de remplacement identiques. Cette façon de faire garantira la sécurité du produit.
24. Ne pas modifier ni tenter de réparer l'appareil ou la batterie sauf comme il est indiqué dans les instructions d'utilisation et d'entretien.
21. Touche d'enclenchement
22. Roulettes
23. Buse à rembourage
24. Support pour la poignée de manœuvre
25. Compartiment à accessoires
26. Poignée
27. Régulateur de carence d'air
28. 4 rondelles de calage pour le montage des roulettes
29. 2 goupilles de sécurité pour le montage des roulettes
30. 2 protections pour le montage des roulettes
31. Essieu pour le montage des roulettes
32. 2 vis pour le montage de la poignée de manœuvre
33. Filtre
34. Couvercle de filtre
35. Poignée de manœuvre
36. Écrou de fixation pour la poignée de manœuvre
37. Chaîne
38. Raccordements de poignée de manœuvre
39. Témoin de charge de la batterie
40. Bouton de témoin de charge de la batterie

CONSERVER CES INSTRUCTIONS

Usage Domestique seulement

2. Description de l'appareil et contenu de l'emballage

2.1 Description de l'appareil

1. Poignée de transport
2. Commutateur de marche / arrêt / niveaux d'aspiration
3. Tête d'appareil
4. Panier à filtre
5. Vanne à flotteur de sécurité
6. Crochet de verrouillage
7. Réservoir
8. Raccord de tuyau d'aspiration
9. Raccord de soufflage
10. Tuyau d'aspiration flexible
11. Tube d'aspiration télescopique
12. Embout combiné
13. Roulettes
14. Sac de collection
15. Filtre en mousse
16. Embout à fentes
17. Vis d'écoulement d'eau
18. Filtre plissé avec couvercle
19. Couvercle de la batterie
20. Adaptateur d'outil

2.2 Contenu d'emballage

Veillez contrôler l'intégralité de l'article au moyen du contenu d'emballage décrit. En cas de pièces manquantes, veuillez contacter notre centre de service à la clientèle ou le point de vente où vous avez acheté l'appareil au plus tard dans les 5 jours ouvrables à compter de l'achat de l'article en présentant un ticket de caisse valable.

- Ouvrez l'emballage et retirez prudemment l'appareil.
- Enlevez le matériau d'emballage ainsi que les sécurités d'emballage et de transport (le cas échéant).
- Vérifiez l'intégralité du contenu d'emballage.
- Vérifiez si l'appareil et les accessoires présentent des dommages dus au transport.
- Si possible, conservez l'emballage jusqu'à l'expiration de la durée de garantie.

Danger !

L'appareil et le matériau d'emballage ne sont pas un jouet ! Les enfants ne doivent pas jouer avec des sachets en plastique, des films ou de petites pièces ! Il existe le risque d'ingestion et de suffocation !

- Mode d'emploi d'origine avec consignes de sécurité

L'appareil est équipé d'une chaîne (37) au fond du réservoir. Il sert à réduire la charge statique pendant l'utilisation.

Accessoires disponibles séparément

18V 1,5Ah PXC batterie Lithium-Ion
 18V 2,0Ah PXC batterie Lithium-Ion
 18V 2,5Ah PXC batterie Lithium-Ion
 18V 3,0Ah PXC batterie Lithium-Ion
 18V 4,0Ah PXC batterie Lithium-Ion
 18V 3,0Ah PXC Plus batterie Lithium-Ion
 18V 4,0Ah PXC Plus batterie Lithium-Ion
 18V 5,2Ah PXC Plus batterie Lithium-Ion
 18V 4,0Ah/6,0Ah PXC Plus batterie Lithium-Ion
 18V 5,0Ah/8,0Ah PXC Plus batterie Lithium-Ion
 18V PXC chargeur rapide à double raccord
 18V PXC chargeur rapide

Contactez votre détaillant pour les modèles plus spécifiques de batteries et de chargeurs disponibles dans votre région. Vous pouvez également explorer les options de batterie + chargeur sur Einhell.com.


3. Utilisation conforme

L'aspirateur sec/humide sans fil convient pour l'aspiration humide et à sec à l'aide du filtre approprié. L'appareil ne convient pas pour l'aspiration de substances combustibles, explosives ou nocives.

La machine ne doit être utilisée que conformément à sa destination. Toute autre utilisation dépassant ce cadre n'est pas conforme. C'est l'utilisateur / l'opérateur qui est responsable de tous les dommages ou blessures de toute nature en résultant et non pas le fabricant.

Veillez noter que nos appareils n'ont pas été conçus pour une utilisation commerciale, artisanale ou industrielle. Nous n'accordons aucune garantie si l'appareil est utilisé dans des entreprises commerciales, artisanales ou industrielles ou pour des activités équivalentes.

4. Caractéristiques techniques

Alimentation électrique
 du moteur:36 V  (2x 18 V)
 Débit d'air: 1,59 m³/min (56 pi³/min)
 Pression d'aspiration:
 BOOST: 150 mbar (59" pouces d'eau)
 ECO: 100 mbar (40" pouces d'eau)
 Longueur du tuyau: 2,5 m (8,2 ft)
 Contenance de la cuve: 30 l (8 gallons)
 Poids:8 kg (17,6 lb)

5. Avant la mise en service

5.1 Montage de l'appareil

Montage de la tête d'appareil (fig. 1/5)

La tête d'appareil (3) est fixée sur le réservoir (7) au moyen du crochet de verrouillage (6). Pour retirer la tête d'appareil (3), ouvrir le crochet de verrouillage (6) et retirer la tête d'appareil (3). Lors du montage de la tête d'appareil (3), veiller à ce que le crochet de verrouillage (6) soit bien enclenché.

Montage des roues (fig. 7-13)

Insérez une goupille de sécurité pour le montage des roulettes (29) à travers le perçage correspondant sans l'essieu de roues (31) et passez une rondelle de calage (28), une roulette (22) et une rondelle de calage sur l'essieu de roulettes (31) (fig. 7-8). Maintenant, fixez l'essieu de roues (31) par les guidages prévus à cette fin au-dessous du réservoir (7) (fig. 9). Insérez une rondelle de calage et la deuxième roue (22) sur l'extrémité libre de l'essieu de roues (31) et fixez-le avec la rondelle de calage restante (28) et la goupille de sécurité (29) (fig. 10-12). Appuyez sur les protections (30) sur l'extérieur des roues (22) de manière à ce que les ergots de fixation des couvertures (30) s'enclenchent dans la roue (22). (Fig. 13).

Montage des roulettes (fig. 6/ 13)

Introduisez les roulettes (13) dans les logements correspondants sur le dessous du réservoir (7). Pressez puissamment les roulettes (13) dans les logements jusqu'à ce qu'ils s'enclenchent avec un clic (fig. 6).

Montage de la poignée de manœuvre (fig. 18)

Insérez la poignée de manœuvre (35) dans les raccords de poignée de manœuvre (38) du réservoir et fixez la poignée de manœuvre

à l'aide des vis fournies (32) et des écrous de fixation (36), comme il est représenté dans la figure 18.

5.2 Montage des filtres

Remarque !

Ne jamais utiliser l'aspirateur sec/humide sans filtres !

Veillez constamment à ce que les filtres soient bien fixés !

Montage du filtre en mousse (fig. 14 / pos. 15)

Pour l'aspiration humide, tirez le filtre en mousse (15) fourni sur le panier à filtres (fig. 4 / pos. 4).

Montage du filtre plissé (fig. 15)

Pour l'aspiration à sec, faites glisser le filtre plissé (pos. 18) sur le panier-filtre et fixez-le en le tournant dans le sens des aiguilles d'une montre jusqu'à ce que les boutons de verrouillage s'enclenchent. Le filtre plissé ne convient que pour l'aspiration à sec

Montage du sac de collection (fig. 17 / pos. 14)

Pour aspirer des saletés sèches et fines, il est recommandé de monter le sac de collection (fig. 2 / pos. 14). Tirez le sac de collection (14) sur l'orifice d'aspiration. Le sac de collection (14) convient uniquement pour l'aspiration à sec. La poussière aspirée peut être éliminée plus aisément avec le sac de collection.

5.3 Montage du tuyau d'aspiration (fig. 17 / pos. 10)

Selon l'utilisation, reliez le tuyau d'aspiration (10) avec le raccord correspondant de l'aspirateur sec/humide.

Aspiration

Raccordez le tuyau d'aspiration (10) au raccord de tuyau d'aspiration (8).

Soufflage

Raccordez le tuyau d'aspiration (10) au raccord de soufflage (9).

Régulateur de carence d'air (fig. 2 / pos. 27)

Le régulateur de carence d'air (27) peut être inséré entre le tuyau d'aspiration (10) et le tube d'aspiration (11). Le régulateur de carence d'air (27) permet de régler en continu sur la buse la puissance d'aspiration.

Utilisez surtout le régulateur de carence d'air pour l'aspiration de liquides pour aspirer de l'air en

plus du liquide. Cela permet de décharger l'appareil lors de l'aspiration du liquide.

5.4 Embouts d'aspiration

Embout combiné (fig. 2)

L'embout combiné (12) convient pour aspirer des matières solides et des liquides sur des surfaces moyennes à grandes.

Embout à fentes (fig. 2)

L'embout à fentes (16) convient pour aspirer les matières solides et les liquides dans des coins, sur des arrêtes et dans d'autres endroits difficilement accessibles.

Buse de rembourage (fig. 2)

La buse à rembourage (23) convient particulièrement pour aspirer des matières solides sur les coussins et les tapis.

Montage de la batterie au Lithium-Ion (non inclus) (fig. 16)

Relevez le couvercle des batteries (19) comme montré dans la figure 16. Puis, insérez les deux batteries dans les logements. L'appareil n'a aucune fonction avec une seule batterie

6. Fonctionnement

6.1 Interrupteur Marche / Arrêt (fig. 1 / pos. 2)

Position de l'interrupteur 0 : Arrêt

Position de l'interrupteur I :

Niveau d'aspiration 1 (ECO)

Position de l'interrupteur II :

Niveau d'aspiration 2 (BOOST)

6.2 Aspiration à sec

Pour l'aspiration à sec, utilisez le filtre plissé (18) (voir le point 5.2). Pour l'enlèvement de salissures particulièrement fortes, vous pouvez également monter le sac de collection (14) (voir le point 5.3). Veillez constamment à ce que le filtre soit bien fixé!

6.3 Aspiration humide

Pour l'aspiration humide, utilisez le filtre en mousse (15) (voir le point 5.2). Veillez constamment à ce que le filtre soit bien fixé !

Vis d'écoulement d'eau (fig. 1)

Pour un vidage aisé du réservoir (7) pendant l'aspiration humide, celui-ci est équipé d'une vis d'écoulement d'eau (17).
Desserrer la vis d'évacuation d'eau (17) en la tournant vers la gauche et évacuez le liquide.

Lors de l'aspiration humide, la vanne à flotteur de sécurité (fig. 4 / pos. 5) se referme dès que le niveau maximal du réservoir est atteint. À ce moment le bruit d'aspiration de l'appareil change, il devient plus fort.
Éteignez alors l'appareil et videz le réservoir.

Danger !

L'aspirateur sec/humide ne convient pas pour aspirer des liquides combustibles ! Utilisez pour l'aspiration humide uniquement le filtre en mousse fourni !

6.4 Soufflage

Reliez le tuyau d'aspiration (10) avec le raccord de soufflage (9) de l'aspirateur sec/humide.

6.5 Chargement de la batterie au Lithium-Ion (non inclus)

Vous trouverez les instructions correspondantes dans le mode d'emploi d'origine de votre chargeur.

6.6 Affichage de la capacité de la batterie (Fig. 21/Pos. 39)

Appuyez sur l'interrupteur de l'affichage de la capacité de la batterie (40). L'affichage de la capacité de la batterie (39) signale l'état de charge de la batterie au moyen de 3 DEL.

Les 3 DEL s'allument:

La batterie est complètement chargée.

2 ou 1 DEL s'allument:

La batterie a une charge résiduelle suffisante.

1 DEL clignote:

La batterie est déchargée, chargez la batterie.

Tous les voyants clignent :

La température de la batterie est trop basse.
Retirez la batterie de l'appareil, laissez-la à température ambiante pendant une journée. Si le défaut se reproduit, cela signifie que la batterie rechargeable a subi une décharge complète et est défectueuse. Retirez la batterie de l'équipement. N'utilisez ou ne chargez jamais une batterie défectueuse.

7. Nettoyage et entretien**Danger !**

Retirez la batterie avant tous les travaux de nettoyage.

7.1 Nettoyage

- Gardez les dispositifs de sécurité, les fentes d'aération et le carter du moteur aussi exempts de poussière et de salissures que possible.
- Nous recommandons de nettoyer l'appareil immédiatement après chaque utilisation.

7.2 Nettoyage de la tête de l'appareil (fig. 1 / pos. 3)

Nettoyez l'appareil régulièrement avec un petit chiffon humide et un peu de savon doux. N'utilisez pas de détergents ni de solvants parce qu'ils peuvent attaquer les pièces en plastique de l'appareil.

7.3 Nettoyage du réservoir (fig. 1 / pos. 7)

Selon le degré de salissure, nettoyez le réservoir avec un chiffon humide et un peu de savon doux ou sous l'eau courante.

7.4 Nettoyage des filtres**Nettoyage du filtre plissé (fig. 2)**

Nettoyez régulièrement le filtre plissé (18) en le tapotant précautionneusement et en l'époussetant avec une brosse fine ou une balayette.

Nettoyage du filtre en mousse (fig. 2)

Nettoyez le filtre en mousse (15) avec un peu de savon doux sous l'eau courante et laissez-le sécher à l'air.

Nettoyage du filtre (fig. 19 / 20)

Le filtre (33) doit être vérifié et nettoyé après chaque utilisation.

1. Retirez le couvercle de filtre (34) (fig. 19)
2. Enlever le filtre (33) (fig. 20)
3. Nettoyez le filtre par tapotage et soufflage
4. L'assemblage s'effectue dans l'ordre inverse

7.5 Maintenance

Vérifiez régulièrement et avant chaque utilisation si les filtres de l'aspirateur sec/humide sont bien fixés.

8. Élimination et recyclage

L'appareil se trouve dans un emballage pour empêcher les dommages dus au transport. Cet emballage constitue une matière première et peut par conséquent est réutilisé ou peut être recyclé. L'appareil et ses accessoires sont fabriqués à partir de différents produits, comme par exemple le métal et les matières plastiques. Ne jetez pas les appareils défectueux dans les déchets ménagers. Pour être éliminé de façon appropriée, l'appareil devrait être déposé à un lieu de collecte approprié. Si vous ne connaissez aucun lieu de collecte, informez-vous auprès de l'administration municipale.

9. Entreposage

Entreposez l'appareil et ses accessoires dans un endroit sombre, sec et exempt de gel ainsi que hors la portée des enfants. La température d'entreposage optimale se situe entre 41 °F et 86 °F (5 °C et 30 °C). Entreposez l'outil électrique dans l'emballage d'origine.

Une réimpression ou toute autre reproduction de la documentation et des documents accompagnant les produits, même par extraits, ne sont autorisées qu'avec accord exprès d'Einhell Germany AG.

Sous réserve des modifications techniques.



Peligro! - Leer el manual de instrucciones para reducir cualquier riesgo de sufrir daños



Almacenamiento de las baterías sólo en espacios secos con una temperatura ambiente de 50°F to 104°F (+10°C to +40°C). Guardar las baterías únicamente cuando estén cargadas (mín. al 40%).

ECO



Nivel de aspiración 1

BOOST



Nivel de aspiración 2

Peligro!

Al usar aparatos es preciso tener en cuenta una serie de medidas de seguridad para evitar lesiones o daños. Por este motivo, es preciso leer atentamente este manual de instrucciones/advertencias de seguridad. Guardar esta información cuidadosamente para poder consultarla en cualquier momento. En caso de entregar el aparato a terceras personas, será preciso entregarles, asimismo, el manual de instrucciones/advertencias de seguridad. No nos hacemos responsables de accidentes o daños provocados por no tener en cuenta este manual y las instrucciones de seguridad.

1. Instrucciones de seguridad**INSTRUCCIONES IMPORTANTES DE SEGURIDAD**

A la hora de usar un aparato eléctrico, es preciso tener en cuenta una serie de medidas básicas, incluyendo las siguientes:

LEER TODAS LAS INSTRUCCIONES ANTES DE USAR (ESTE APARATO). Si no se siguen las advertencias e instrucciones, se puede correr el riesgo de sufrir una descarga eléctrica, provocar un incendio y/o sufrir lesiones graves.

ADVERTENCIA—Para reducir el riesgo de incendio, descarga eléctrica o lesión:

1. Solamente para uso en interiores.
2. No permitir que se use a modo de juguete. Es preciso estar muy atento si se utiliza en las inmediaciones de niños, animales o plantas.
3. Utilizar solo según se describe en este manual. Utilizar solo accesorios recomendados por el fabricante.
4. No utilizar si el cable o enchufe presentan daños. Si el aparato no funciona como debería, se ha caído, dañado, dejado a la intemperie o se ha caído en agua, llevarlo a un centro de servicio.
5. No tirar del aparato ni transportarlo por el cable, ni utilizar el cable a modo de asa. No cerrar una puerta pillando el cable ni acercarlo a bordes afilados ni esquinas. No pasar el aparato por encima del cable. Mantener el cable alejado de superficies calientes.
6. No desenchufar el aparato tirando del cable. Para desenchufarlo, hacerlo agarrando el enchufe, no el cable.

7. No manipular el cargador (incl. el enchufe del cargador) ni los terminales de carga con las manos mojadas.
8. No introducir objetos en las aberturas. No utilizar si alguna abertura está bloqueada. Mantenerlas libres de polvo, pelusas, pelo y cualquier cosa que pueda reducir el flujo de aire.
9. Mantener el cabello, la ropa holgada, los dedos y todas las partes del cuerpo alejadas de las aberturas y de las piezas en movimiento.
10. Prestar especial cuidado a la hora de limpiar en escaleras.
11. No utilizar para absorber líquidos inflamables o combustibles, como por ejemplo gasolina, ni utilizarlo en áreas donde puedan estar presentes.
12. No absorber nada que esté encendido o de lo que salga humo, como por ejemplo cigarrillos, cerillas o cenizas calientes.
13. No lo use sin el filtro.
14. Evitar un arranque inesperado. Asegurarse de que el interruptor se encuentre en la posición OFF antes de conectar la batería, alzar el aparato o transportarlo. El transporte de aparatos con el dedo en el interruptor o la activación de aparatos eléctricos con el interruptor en ON puede provocar accidentes.
15. Desconectar la batería del aparato antes de realizar ajustes, cambiar accesorios o almacenar el aparato. Este tipo de medidas de seguridad preventivas sirve para reducir el riesgo de poner en marcha el aparato de manera involuntaria.
16. Recargar solo con el cargador especificado por el fabricante. Un cargador adecuado para un tipo de batería puede conllevar el riesgo de provocar un incendio si se usa con otro tipo de batería.
17. Utilizar los aparatos solo con las baterías designadas específicamente. El uso de cualquier otro tipo de batería puede suponer un riesgo de sufrir lesiones y de provocar un incendio.
18. Si no se está usando la batería, mantenerla alejada de otros objetos metálicos, como clips, monedas, llaves, clavos, tornillos u otros objetos pequeños de metal que puedan realizar una conexión de un terminal al otro. Si se cortocircuitan los terminales de la batería, se pueden provocar quemaduras o un incendio.
19. En caso de uso excesivo, es posible que algo de líquido goteé de la batería. Evitar el contacto. En caso de contacto accidental, lavar

- con agua. Si el líquido entra en contacto con los ojos, buscar atención médica. El líquido que sale de la batería puede causar irritación o quemaduras.
20. No utilizar baterías ni aparatos que estén dañados o modificados. Las baterías dañadas o modificadas pueden manifestar comportamientos impredecibles que den lugar a incendio, explosión o riesgo de lesión.
 21. No exponer una batería ni un aparato al fuego o a una temperatura excesiva. La exposición al fuego o a una temperatura superior a los 130°C puede provocar una explosión.
 22. Seguir todas las instrucciones de carga y no cargar la batería ni el aparato fuera del margen de temperatura especificado en las instrucciones. Una carga inadecuada o a temperaturas fuera del margen especificado puede dañar la batería e incrementar el riesgo de incendio.
 23. Encargar el servicio exclusivamente a una persona cualificada que use solo piezas de repuesto idénticas. Solo así se podrá mantener la seguridad del producto.
 24. No modificar ni intentar reparar el aparato o la batería de forma distinta a lo que se indique en las instrucciones de uso y conservación.

GUARDAR ESTAS INSTRUCCIONES

Para un uso exclusivamente doméstico.

2. Descripción del aparato y volumen de entrega

2.1 Descripción del aparato (fig. 1-21)

1. Asa de transporte
2. Interruptor ON/OFF/niveles de aspiración
3. Cabezal del aparato
4. Recipiente de filtraje
5. Válvula de flotador de seguridad
6. Ganchos de cierre
7. Recipiente
8. Conexión de la manguera de aspiración
9. Conexión de soplado
10. Manguera de aspiración flexible
11. Tubo de aspiración, telescópico
12. Boquilla multiuso
13. Ruedecillas
14. Bolsa de recogida
15. Filtro de espuma
16. Boquilla esquinera
17. Tornillo para la purga de agua
18. Filtro plisado con tapa

19. Tapa de la batería
20. Adaptador de herramienta
21. Dispositivo de retención
22. Ruedas
23. Boquilla cepillo
24. Soporte para arco de empuje
25. Compartimento accesorios
26. Empuñadura
27. Trampilla de regulación
28. 4 arandelas para el montaje de las ruedas
29. 2 pasadores de aletas de seguridad para el montaje de las ruedas
30. 2 cubiertas para el montaje de las ruedas
31. Eje para montaje de ruedas
32. 2 tornillos para el montaje del arco de empuje
33. Filtro
34. Cubierta del filtro
35. Arco de empuje
36. Tuerca de sujeción para arco de empuje
37. Cadena
38. Conexiones del arco de empuje
39. Indicador de capacidad de batería
40. Pulsador para indicar la capacidad de batería

2.2 Volumen de entrega

Sirviéndose de la descripción del volumen de entrega, comprobar que el artículo esté completo. Si faltase alguna pieza, dirigirse a nuestro Service Center o a la tienda especializada más cercana en un plazo máximo de 5 días laborales tras la compra del artículo presentando un recibo de compra válido.

- Abrir el embalaje y extraer cuidadosamente el aparato.
- Retirar el material de embalaje, así como los dispositivos de seguridad del embalaje y para el transporte (si existen).
- Comprobar que el volumen de entrega esté completo.
- Comprobar que el aparato y los accesorios no presenten daños ocasionados durante el transporte.
- Si es posible, almacenar el embalaje hasta que transcurra el periodo de garantía.

Peligro!

¡El aparato y el material de embalaje no son un juguete! ¡No permitir que los niños jueguen con bolsas de plástico, láminas y piezas pequeñas! ¡Riesgo de ingestión y asfixia!

- Manual de instrucción original con instrucción de seguridad

El aparato está equipado con una cadena (37) en la base del recipiente. Sirve para evitar la carga estática durante la utilización.

Accesorios disponibles por separado

18V 1.5Ah PXC batería Li-Ion
 18V 2.0Ah PXC batería Li-Ion
 18V 2.5Ah PXC batería Li-Ion
 18V 3.0Ah PXC batería Li-Ion
 18V 4.0Ah PXC batería Li-Ion
 18V 3.0Ah PXC Plus batería Li-Ion
 18V 4.0Ah PXC Plus batería Li-Ion
 18V 5.2Ah PXC Plus batería Li-Ion
 18V 4.0Ah/6.0Ah PXC Plus batería Li-Ion
 18V 5.0Ah/8.0Ah PXC Plus batería Li-Ion
 18V PXC cargador rápido de doble Puerto
 18V PXC cargador rápido

Comuníquese con su distribuidor local para obtener modelos más específicos de baterías y cargadores disponibles en su área. Explorar las opciones de batería y cargador en einhell.com


3. Uso adecuado

La aspiradora para seco/mojado inalámbrica ha sido concebida para aspirar materiales sólidos y líquidos utilizando el filtro correspondiente. El aparato no está indicado para aspirar materiales inflamables, explosivos ni perjudiciales para la salud.

Utilizar la máquina sólo en los casos que se indican explícitamente como de uso adecuado. Cualquier otro uso no será adecuado. En caso de uso inadecuado, el fabricante no se hace responsable de daños o lesiones de cualquier tipo; el responsable es el usuario u operario de la máquina.

Tener en consideración que nuestro aparato no está indicado para un uso comercial, industrial o en taller. No asumiremos ningún tipo de garantía cuando se utilice el aparato en zonas industriales, comerciales o talleres, así como actividades similares.

4. Características técnicas

Alimentación de tensión
 de motor:36 V  (2x 18 V)
 Flujo de aire: 56 CFM (1.59 m³/min)
 Succión hermética:
 BOOST:59" (PULGADAS DE AGUA)
 ECO:40" (PULGADAS DE AGUA)
 Longitud de manguera
 de aspirado:8.2 pies (2.5 m)
 Capacidad de tanque: 8 gallon (30 l)
 Peso: 17.6 lb (8 kg)

5. Antes de la puesta en marcha

5.1 Montaje del aparato

Montaje del cabezal del aparato (fig. 1/5)

El cabezal del aparato (3) está sujeto al recipiente (7) por medio de ganchos de cierre (6). Para sacar el cabezal (3), abrir los ganchos de cierre (6) y extraer el cabezal (3). Al montar el cabezal (3) asegurarse de que los ganchos de cierre (6) se enclaven bien.

Montaje de las ruedas (fig. 7/13)

Introducir un pasador de aletas de seguridad para el montaje de las ruedas (29) en la perforación del eje (31) y encajar una arandela (28), una rueda (22) y una arandela en el eje (31) (fig. 7-8). A continuación, introducir el eje (31) en las perforaciones previstas para ello situadas en la parte inferior del recipiente (7) (fig. 9). Introducir la arandela y la segunda rueda (22) en el extremo libre del eje (31) y asegurarla con la otra arandela (28) y el pasador de aletas de seguridad (29) (fig. 10-12). Colocar la cubierta (30) sobre el lado exterior de las ruedas (22) de forma que las lengüetas de sujeción de las cubiertas (30) encajen en las ruedas (22). (Fig. 13).

Montaje de las ruedecillas (fig. 6/pos. 13)

Encajar las ruedecillas (13) en el alojamiento adecuado en la parte inferior del recipiente (7). Presionar con fuerza las ruedecillas (13) hasta que se pueda percibir que han quedado encajadas (fig. 6).

Montaje del arco de empuje (fig. 18)

Encajar el arco de empuje (35) en las conexiones del arco de empuje (38) del recipiente y asegurarlo con ayuda de los tornillos suministrados (32) y las tuercas de sujeción (36) según se muestra en la figura 18.

5.2 Montaje del filtro**¡Advertencia!**

¡No utilizar nunca la aspiradora para seco/mojado sin filtro!

¡Asegurarse de que los filtros estén siempre bien colocados!

Montaje del filtro de espuma (fig. 14/pos. 15)

Para aspirar en mojado, colocar el filtro de espuma suministrado (15) sobre el recipiente de filtraje (fig. 4/pos. 4).

Montaje del filtro plisado (fig. 15)

Para aspirar en seco, deslice el filtro plisado (elemento 18) en la cesta del filtro y fíjelo girando en el sentido de las agujas del reloj hasta que los pomos de bloqueo encajen. El filtro plisado sólo es adecuado para la aspiración en seco.

Montaje de la bolsa de recogida (fig. 17/pos. 14)

Para aspirar suciedad fina y seca, recomendamos montar la bolsa de recogida (fig. 2/pos. 14). Colocar la bolsa de recogida (14) sobre la perforación de aspiración. La bolsa de recogida (14) es adecuada únicamente para la aspiración en seco. El polvo aspirado puede eliminarse con mayor facilidad con la bolsa de recogida.

5.3 Montaje de la manguera de aspiración (fig. 17/pos. 10)

Dependiendo del tipo de uso, conectar la manguera de aspiración (10) a la conexión correspondiente de la aspiradora para seco/mojado.

Aspiración

Conectar la manguera de aspiración (10) a la conexión de la manguera de aspiración (8).

Soplado

Conectar la manguera de aspiración (10) a la conexión de soplado (9).

Trampilla de regulación (fig. 2/pos. 27)

La trampilla de regulación (27) se puede colocar entre la manguera de aspiración (10) y el tubo de aspiración (11). En la trampilla de regulación (27) se puede regular de forma continua la potencia

de aspiración en la boquilla.

En la aspiración en mojado, utilizar la trampilla de regulación para aspirar aire además de líquido a través de ella. De este modo, el aparato se descarga durante la aspiración del líquido.

5.4 Boquillas aspiradoras**Boquilla multiuso (fig. 2)**

La boquilla multiuso (12) está indicada para aspirar materiales sólidos y líquidos en superficies medianas a grandes.

Boquilla esquinera (fig. 2)

La boquilla esquinera (16) sirve para aspirar sólidos y líquidos en esquinas, cantos y otros lugares de difícil acceso.

Boquilla cepillo (fig. 2)

La boquilla cepillo (23) está especialmente diseñada para aspirar sólidos de materiales tapizados y alfombras.

Montaje de la batería (fig. 16)

Subir la tapa de la batería (19) como se muestra en la figura 16. A continuación, introducir las dos baterías en el alojamiento. El dispositivo no tiene ninguna función con una sola batería.

6. Manejo**6.1 Interruptor ON/OFF (fig. 1/pos. 2)**

Posición de interruptor 0: apagado

Posición de interruptor I: nivel de aspiración 1

Posición de interruptor II: nivel de aspiración 2

6.2 Aspiración en seco

Para aspirar en seco, utilizar el filtro plisado (18) (véase punto 5.2). Para eliminar la suciedad especialmente resistente, se puede montar adicionalmente la bolsa de recogida (14) (véase punto 5.3).

¡Asegurarse de que los filtros estén siempre bien colocados!

6.3 Aspiración en mojado

Para aspirar en mojado, utilizar el filtro de espuma (15) (véase punto 5.2).

¡Asegurarse de que el filtro esté siempre bien colocado!

Tornillo para la purga de agua (fig. 1)

El recipiente (7) está provisto de un tornillo para la purga de agua (17) con el fin de facilitar su va-

ciado cuando se aspira en mojado. Abrir el tornillo para la purga de agua (17) girándolo hacia la izquierda y dejar que salga el líquido.

En la aspiración en mojado, la válvula de flotador de seguridad (fig. 4/pos. 5) se cierra una vez alcanzado el nivel de llenado máximo en el recipiente. En tal caso, el ruido de aspiración del aparato aumenta. Apagar entonces el aparato y vaciar el recipiente.

¡Peligro!

La aspiradora para seco/mojado no ha sido concebida para aspirar líquidos inflamables. ¡Para aspirar en mojado, utilizar sólo el filtro de espuma suministrado!

6.4 Soplado

Conectar la manga de aspiración (10) al empalme de soplado (9) de la aspiradora para seco/mojado.

6.5 Cómo cargar la batería de litio (no incluido en el volumen de entrega)

Las instrucciones correspondientes se encuentran en el manual de instrucciones original del cargador.

6.6 Indicador de capacidad de batería (fig. 21/pos. 39)

Pulsar el interruptor para acceder al indicador de capacidad de la batería (40). El indicador de capacidad de batería (39) le indica el estado de carga de la batería sirviéndose de 3 LEDs.

Los 3 LED están iluminados:

La batería está completamente cargada.

2 o 1 LED están iluminados

La batería dispone de suficiente carga residual.

1 LED parpadea:

La batería está vacía, es preciso cargarla.

Si todos los LED parpadean:

La temperatura de la batería es demasiado baja. Quitar la batería del aparato y dejarla durante un día a temperatura ambiente. Si vuelve a aparecer el fallo, la batería se ha descargado completamente y está defectuosa. Quitar la batería del aparato. Está prohibido emplear o cargar una batería defectuosa.

7. Mantenimiento y limpieza

Peligro!

Quitar la batería antes de realizar cualquier trabajo de limpieza.

7.1 Limpieza

- Evitar al máximo posible que la suciedad y el polvo se acumulen en los dispositivos de seguridad, las rendijas de ventilación y la carcasa del motor.
- Se recomienda limpiar el aparato inmediatamente después de cada uso.

7.2 Limpieza del cabezal del aparato (fig. 1/ pos. 3)

Limpiar el aparato de forma periódica con un paño húmedo y un poco de jabón blando. No utilizar productos de limpieza o disolventes ya que podrían deteriorar las piezas de plástico del aparato.

7.3 Limpieza del recipiente (fig. 1/pos. 7)

Dependiendo del nivel de suciedad, el recipiente se puede limpiar con un paño húmedo, un poco de jabón blando y agua abundante.

7.4 Limpieza del filtro

Limpieza del filtro plisado (fig. 2)

Limpiar regularmente el filtro plisado (18) sacudiéndolo con cuidado y limpiándolo con un cepillo blando o una escobilla.

Limpieza del filtro de espuma (fig. 2)

Limpiar el filtro de espuma (15) con un poco de jabón blando y con abundante agua y dejar que se seque al aire.

Limpieza del filtro (fig. 19/20)

El filtro (33) debe ser revisado y limpiado después de cada uso.

1. Retirar la cubierta del filtro (34) (fig. 19).
2. Extraer el filtro (33) (fig. 20).
3. Limpiar el filtro sacudiéndolo o soplando
4. El montaje se realiza siguiendo el mismo orden pero a la inversa

7.5 Mantenimiento

Controlar regularmente el filtro de la aspiradora para seco/mojado, así como que siempre esté bien sujeto.

8. Eliminación y reciclaje

El aparato está protegido por un embalaje para evitar daños producidos por el transporte. Este embalaje es materia prima y, por eso, se puede volver a utilizar o llevar a un punto de reciclaje. El aparato y sus accesorios están compuestos de diversos materiales, como, p. ej., metal y plástico. Los aparatos defectuosos no deben tirarse a la basura doméstica. Para su eliminación adecuada, el aparato debe entregarse a una entidad recolectora prevista para ello. En caso de no conocer ninguna, será preciso informarse en el organismo responsable del municipio.

9. Almacenamiento

Guardar el aparato y sus accesorios en un lugar oscuro, seco, protegido de las heladas e inaccesible para los niños. La temperatura de almacenamiento óptima se encuentra entre los 41°F y 86°F (5 y 30 °C). Guardar la herramienta eléctrica en su embalaje original.

Sólo está permitido copiar la documentación y documentos anexos del producto, o extractos de los mismos, con autorización expresa de Einhell Germany AG.

Nos reservamos el derecho a realizar modificaciones técnicas



A series of 20 horizontal lines for writing, starting from the line where the pencil is positioned and extending down the page.



A series of horizontal lines for writing, starting from the pencil tip and extending across the page.



Two horizontal lines are positioned to the right of the pencil's tip. Below these, there are 20 additional horizontal lines, evenly spaced, extending across the width of the page. These lines are intended for writing or drawing.



A series of horizontal lines for writing, starting from the top right of the page and extending downwards. The first line is partially obscured by the pencil illustration.



www.Einhell.com

EH 04/2022 (01)