

 **Operating Instructions**
Cordless Grass and Hedge Trimmer



G A R D E N L I N E

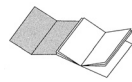
7



Art.-No.: 7761

I.-No.: 01016

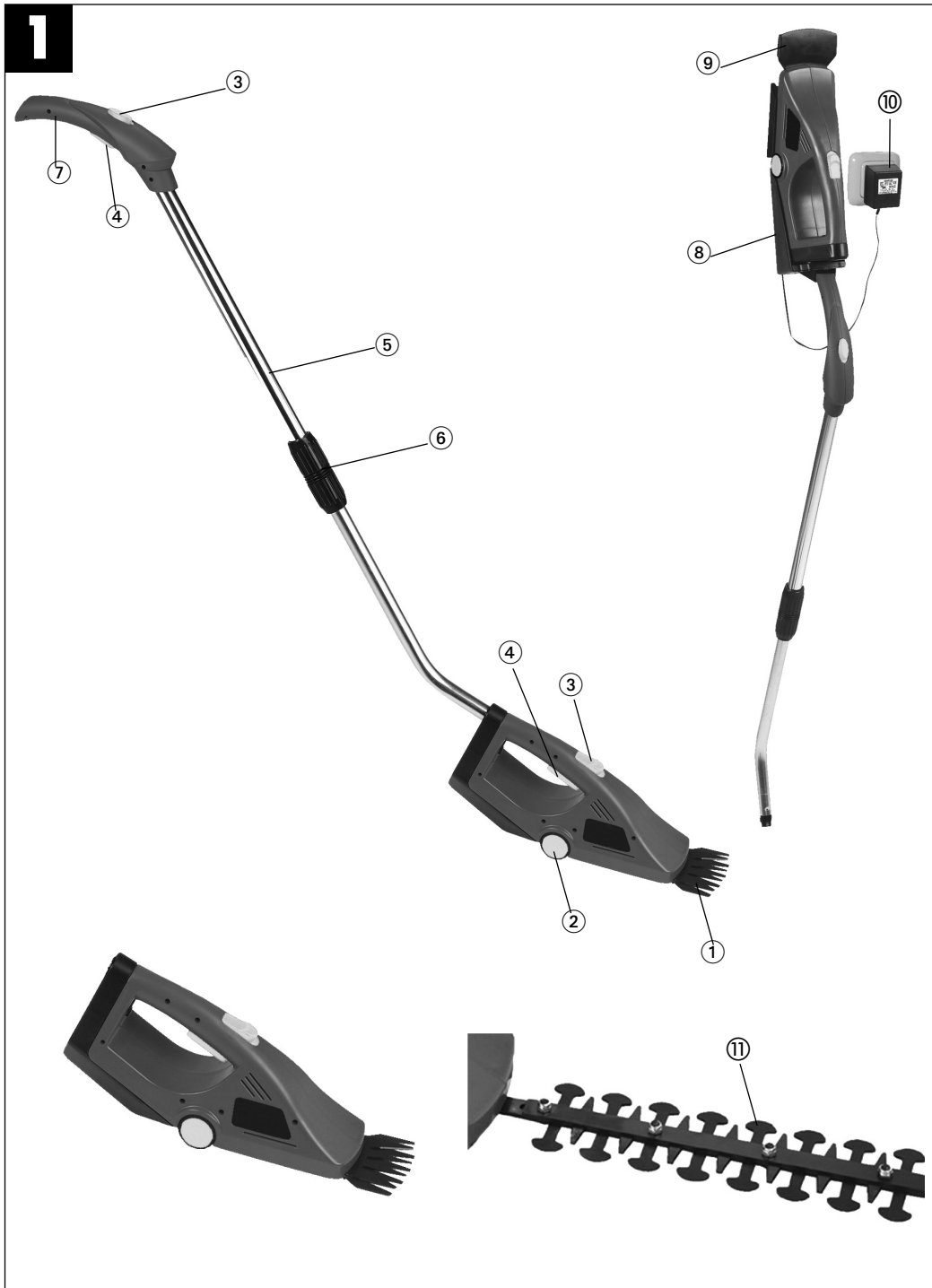
GCGS 18-S

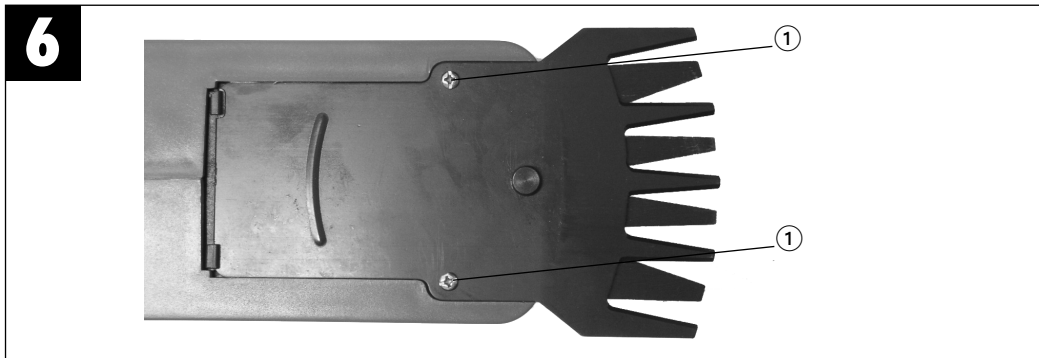
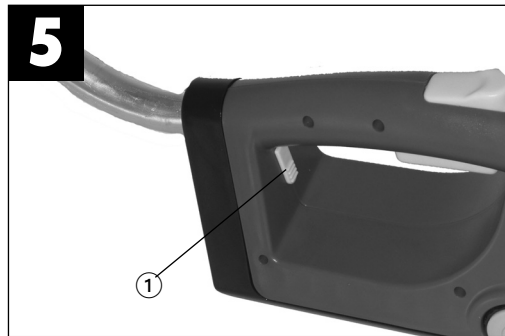
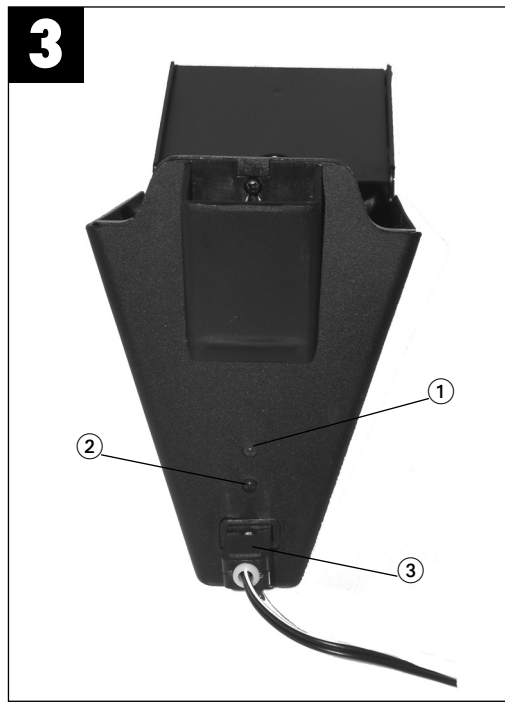
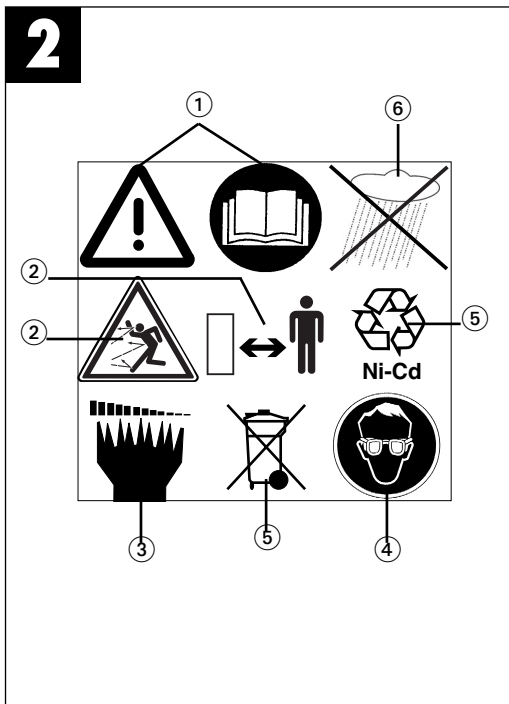


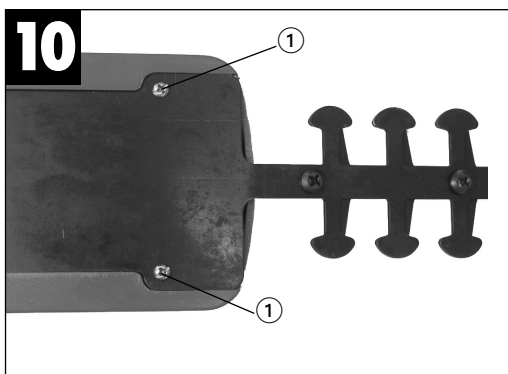
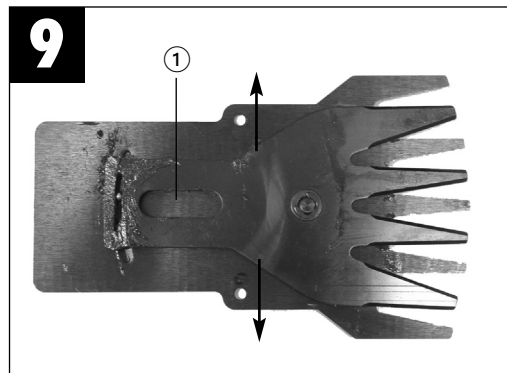
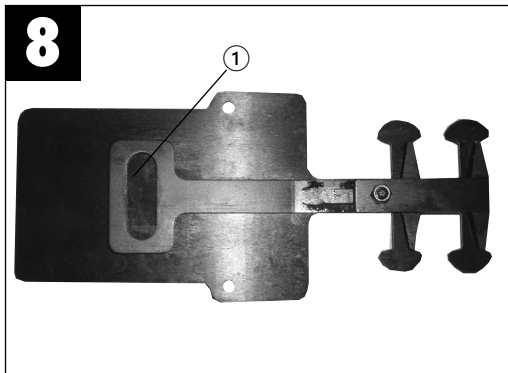
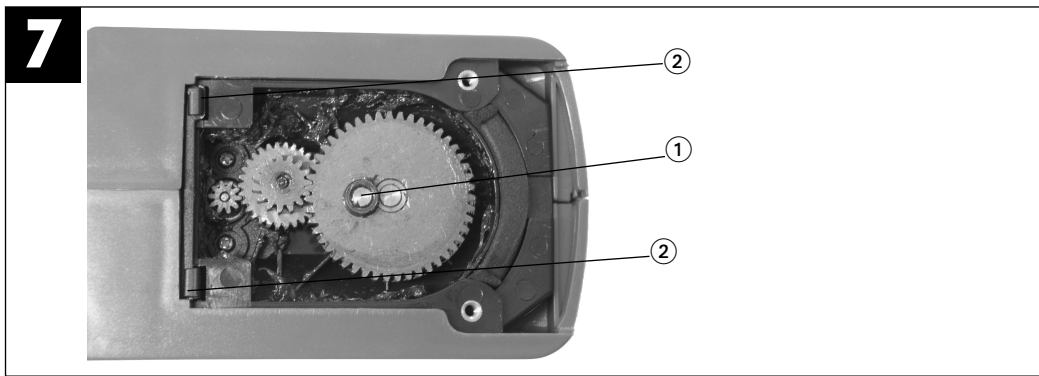
Ⓢ Please fold out page 2 - 5

Ⓢ **Read the complete operating manual with due care and keep it in a safe place. If you give the machine to any other person, hand over this operating manual as well!**

1. Layout
2. Explanation of the warning signs on the machine
3. General safety information
4. Important information
5. Proper use
6. Technical data
7. Starting up
8. Changing the blades
9. Maintenance and cleaning
10. Ordering replacement parts
11. Troubleshooting







GB

1. Layout (Figure 1)

- 1 Grass cutter blade
- 2 Wheels
- 3 Safety lock-off
- 4 ON button
- 5 Telescopic long handle
- 6 Clamp coupling for telescopic long handle
- 7 Handle grip
- 8 Charging station
- 9 Blade guard
- 10 Battery charger
- 11 Hedge Trimmer blade

2. Explanation of the warning signs on the machine (Figure 2)

1. **Important! Read the operating instructions and follow the warnings and safety instructions.**
2. **Keep all other persons away from the danger zone.**
3. **Caution! The cutter blades continue to run after the motor is switched off. Wait for the blades to come to a standstill. Risk of injury!**
4. **Important! Always wear goggles when working with the grass and Hedge Trimmer.**
5. **Dispose of batteries correctly!**
6. **Protect the tool from the damp and never expose it to rain.**

3. General safety information

Caution! Danger!
The blade will run on for a few seconds after the tool is switched off!

Please read the directions for use carefully and observe the information provided. It is important to consult these instructions in order to acquaint yourself with the tool, its proper use and safety precautions.

Important!

For safety reasons the cordless grass cutter and hedge trimmer is not to be used by children, young people under 18 years of age, or any other persons who are not acquainted with these directions for use.

- Examine the tool each time before you use it. Do not use the tool if any safety devices and/or blades are damaged or worn. Never put safety

devices out of operation.

- Use the tool only for the purpose specified in these instructions.
- You are responsible for safety in your work area.
- Inspect the items you want to cut before starting to work. Remove any foreign objects you find. Watch out for foreign objects while you work. If you still hit upon an obstacle while cutting, turn off the tool (let go of the ON button) and remove the obstacle.
- If the blades become jammed, switch off the tool (let go of the ON button) and remove the obstruction (thick branch, foreign object) with a blunt item. Never use your fingers to clear an obstruction - the pre-loaded blades can cause serious injury.
- Examine the charging cable regularly for signs of damage and age (brittleness). Use only if it is in perfect condition.
- Work only in good visibility.
- Always make sure of your footing while working. Be careful when stepping backwards. Risk of stumbling!
- If you interrupt your work to move to a different position it is imperative to switch off the tool while you are moving there.
- Never use the tool in the rain or in moist or wet conditions.
- Avoid contact with leaky batteries. In case of contact, wash the affected area of skin immediately with water and soap. If battery acid gets in your eye, rinse out the eye with water for at least 10 minute and consult a doctor at once.
- Protect the battery charger and cable from damage and sharp edges. Damaged cables are to be replaced without delay by an electrician.
- Never work with the tool in the rain and never leave the tool outdoors. The tool must not be used if it is wet.
- We recommend that you wear safety goggles when working with the tool.
- Wear suitable working clothes such as rubber gloves and non-slip shoes with toe protection. Do not wear loose garments. Keep long hair in a hairnet.
- Avoid abnormal postures and make sure of your footing.
- Be sure to hold the tool well away from your body when it is switched on.
- Make sure there are no other persons or animals within your working area (radius of swing).
- Keep cables clear of where you are cutting.
- Use the tool only when it is in good working order.
- Protect cables from heat, caustic fluids and sharp edges. Replace damaged cables

immediately.

- Examine the cutting system regularly for signs of damage and, if necessary, arrange for the tool to be professionally repaired by the ISC Customer Service Center or a specialist workshop.
- Keep the tool in a dry place out of children's reach.
- When the tool is not being used, store it so that the blades cannot be touched accidentally.
- Take care not to overload the tool and do not use it on jobs for which it is not intended.
- The tool requires regular inspection and maintenance. Always replace damaged blades in pairs. If the tool suffers any damage from impact (falling on hard ground etc.), have it checked immediately by a specialist.
- Look after your tool carefully. Keep it clean and sharp to ensure efficient and safe cutting. Follow the maintenance and cleaning instructions.
- Never overreach when using the trimmer.
- Never work on a ladder when using the trimmer.

4. Important information

- The battery pack supplied with the tool is not charged. The battery pack has to be charged before you use the tool for the first time.
- Charge the battery pack with the charger supplied. Do not use the supplied charger to charge other items of equipment.
- The battery pack does not reach its maximum capacity until it has been charged and discharged approximately five times.
- NC battery packs lose their charge even when they are not being used. Regular charging is therefore recommended.
- Please check the data marked on the rating plate of the battery charger. Connect the battery charger only to an identical mains supply to that on the rating plate.
- In heavy use the battery pack will become warm. Allow it to cool to room temperature before commencing with the charging.
- Never throw old batteries in the fire. Risk of explosion!
- Used and defective batteries do not belong in the refuse bin. Think of the environment - cadmium is toxic. For proper disposal of used and defective batteries, send them postage-paid to the ISC company or take them to a special collecting station in your area. Ask at your local council offices for the nearest used battery collecting station.
- Protect the battery charger and cable from damage and sharp edges. Damaged cables are

to be replaced without delay by an electrician.

5. Proper use

The GCGS 18-S is designed for cutting lawns, small areas of grass, bushes and small hedges in private and hobby gardens.

Tools for private and hobby gardens are not suitable for use in public facilities, parks and sport centers, along roadways, on farms or in the forestry sector. For the tool to be used properly it is imperative to follow the instructions set out in the manufacturer's directions for use.

Important! It is prohibited to use the tool to chop material for composting because of the potential danger to persons and property.

6. Technical data

Cutting width of the grass cutter:	85 mm
Cutting length of the hedge trimmer:	160 mm
Running time max.:	approx. 120 min.
Battery pack:	18 V / 1500 mAh
Charging time:	7-9 h
Battery charger:	
Voltage:	230 V ~ 50 Hz
Rated voltage output:	24 V DC
Rated current:	500 mA
Sound power level:	89 dB(A)
Vibration a_{HV} :	$\leq 2,5 \text{ m/s}^2$

The noise level of this power tool is measured according to ISO 3744, NFS 31-031 (84/538/EWG). Noise level at work area can exceed 85 dB (A). In that case operators should protect themselves against damage to hearing. The vibrations are measured according ISO 5349.

7. Starting up

7.1 Charging the battery pack (Figure 1, 3)

- charge indoors only
- The charging station can be used as a wall holder.
- Connect the charger to the charging station (Figure 3 / Item 3).
- Check that your mains voltage is the same as that marked on the rating plate of the battery

GB

charger. Plug the battery charger in a socket-outlet. The green LED (Figure 3 / Item 1) comes on to indicate that charging voltage is available.

- Place the tool in the charging station. The red LED (Figure 3 / Item 2) comes on to indicate that the battery is being charged. An empty battery pack requires a maximum charging period of 6 hours. The temperature of the battery pack may rise slightly during the charging operation. This is normal.
- The red LED (Figure 3 / Item 2) and the green LED (Figure 3 / Item 1) both come on to indicate that the battery pack is fully charged.

If the battery pack fails to charge, please check

- whether there is voltage at the socket-outlet
- whether there is good contact at the charging contacts of the battery station

If you still fail to charge the battery pack, please return the complete tool together with the battery charger and the charging station to our Customer Service Center.

Timely recharging of the battery pack will help it serve you well for a long time. Recharging is always necessary when you notice a drop in the tool's performance.

Never allow the battery pack to become fully discharged. This will cause it to develop a defect.

7.2 Operation

First clear away any stones or other solid objects from where you want to cut. The safety lock-off (Figure 1 / Item 3) prevents the tool being switched on accidentally. To switch on the tool you must first release the safety lock-off with your thumb. Keep the safety lock-off pressed and at the same time actuate the On/Off switch (Figure 1 / Item 4) to start up the tool.

To switch off the tool, let go of the On/Off switch (Figure 1 / Item 4).

7.3 Cutting grass

Allow the grass cutter to glide above the ground. The best results are achieved when the lawn is dry.

When you notice a drop in cutting performance, recharge the tool immediately so that the battery does not become fully discharged.

7.4 Fitting the telescopic long handle

Using the plug-in telescopic handle (Figure 1 / Item 5) you can push the cordless grass cutter on wheels over the lawn from a comfortable standing position.

Slide the one tube into the other and fasten together with the clamp coupling (Figure 1 / Item 6). Pull the plastic cover off the tool (Figure 4), press down the release lever (Figure 5 / Item 1) and plug in the long handle. The long handle will engage in place automatically when you let go of the release lever. To remove the long handle, press down the release lever (Figure 5 / Item 1), pull out the long handle and put on the plastic cover (Figure 4). The long handle can be stored at the loading station (Figure 1).

7.5 Trimming hedges

Keep hands away from cutting edge at all times. Do not hold plant or shrub with one hand while cutting with tool in close proximity (serious risk of injury).

The tool can be used to trim small hedges.

Hold the tool slightly tilted in relation to the hedge you want to cut.

First cut the sides from the bottom up, then cut the top.

Watch out for foreign objects in or on the hedge which could damage the blades.

When is the best time to trim hedges?

- As a general rule, hedges which lose their leaves in the autumn should be trimmed in June and October.
- Hedges which do not lose their leaves should be cut in April and August.

The Trimmer blade must be kept in its guard hood when not in use.

Important!

It is prohibited to remove or bridge any of the switching elements installed on the tool by the manufacturer (e.g. by securing a button to the handle) as this would prevent the tool from switching off automatically and result in high risk of injury.

Under no circumstances are you to use the shrub cutter with the telescopic long handle fitted.

8. Changing the blades

Important! risk of injury!

To dismantle the blades, undo the screws at the bottom of the tool (Figure 6 and Figure 10 / Item 1). When the blades have been removed you will be able to see the gear wheels (Figure 7). Make sure that no dirt gets in the gearing while you are changing the blades.

When inserting the hedge trimming blade, note the position of the eccentric pin (Figure 7 / Item 1). Take the hedge trimming blade and slide the eccentric mount (Figure 8 / Item 1) into position so that the eccentric pin fits exactly in the eccentric mount when assembled. To secure the hedge cutter blade for cutting, slide it underneath the holder (Figure 7 / Item 2) and fasten it in place with the screws (Figure 10 / Item 1).

When inserting the grass cutting blade, again note the position of the eccentric pin (Figure 7 / Item 1). With the grass cutting blade you can slide the eccentric mount (Figure 9 / Item 1) to the left or right in order to find the position where the eccentric pin (figure 7/item 1) fits in the eccentric mount (figure 9/item 1). Re-fasten the grass cutting blade with the screws.

9. Maintenance and cleaning

To achieve good results you should keep the blades sharp at all times. In particular we recommend that you immediately level off any jags or ridges caused by stones or the like. The tool should be thoroughly cleaned both before and after use. A few drops of oil (e.g. sewing machine oil) will improve the cutting performance of the blades, but never apply any grease to the blades. To ensure constant exact cutting it is also important to remove grass remnants and dirt from between the upper and lower blade.

Important!

Never clean the tool under running water - and particularly never with high pressure - because of the potential danger to persons and property. Keep your cordless grass cutter and hedge trimmer in a dry and frost-proof place. Choose a place that children are unable to enter.

10. Ordering replacement parts

Please quote the following data when ordering replacement parts:

- Type of machine
- Article number of the machine
- Identification number of the machine
- Replacement part number of the part required

For our latest prices and information please go to ww.isc-gmbh.info

11. Troubleshooting

The tool does not cut cleanly:
Check the blades and replace them if necessary.

In case of any other faults, please contact the ISC Customer Service Center.

We draw express attention to the fact that we are not responsible within the meaning of the Product Liability Law for any damage caused by our products if said damage results from incorrect repair or the use of replacement parts which are not original Einhell parts or parts approved by us and the repair is not carried out by the ISC Customer Service Centre.

ISC GmbH
Eschenstraße 6
D-94405 Landau/Isar

Konformitätserklärung



- erklärt folgende Konformität gemäß EU-Richtlinie und Normen für Artikel
 declares conformity with the EU Directive and standards marked below for the article
 déclare la conformité suivante selon la directive CE et les normes concernant l'article
 verklaart de volgende conformiteit in overeenstemming met de EU-richtlijn en normen voor het artikel
 declara la siguiente conformidad a tenor de la directiva y normas de la UE para el artículo
 declara a seguinte conformidade de acordo com a directiva CE e normas para o artigo
 förklarar följande överensstämmelse enl. EU-direktiv och standarder för artikeln
 ilmoittaa seuraavaa Euroopan unionin direktiivien ja normien mukaista yhdenmukaista tuotteelle
 erklærer herved følgende samsvar med EU-direktiv og standarder for artikkel
 заявляє о соответствиі товара следующим директивам и нормам EC
 izjavljuje sljedeću uskladenost s odredbama i normama EU za artikl.
 declară următoarea conformitate cu linia directoare CE și normele valabile pentru articolul.
 ürün ile ilgili olarak AB Yönetmelikleri ve Normları gereğince aşağıdaki uygunluk açıklamaını sunar.
 δηλώνει την ακόλουθη συμφωνία σύμφωνα με την Οδηγία ΕΕ και τα πρότυπα για το προϊόν

- dichiara la seguente conformità secondo la direttiva UE e le norme per l'articolo
 attererer følgende overensstemmelse i henhold til EU-direktiv og standarder for produkt
 prohlašuje následující shodu podle směrnice EU a norem pro výrobek.
 a következő konformitást jelenti ki a termék-re vonatkozó EU-irányvonalak és normák szerint
 pojasnjuje sledečo skladnost po smernici EU in normah za artikel.
 deklaruje zgodność wymienionego poniżej artykułu z następującymi normami na podstawie dyrektywy WE.
 vydáva nasledujúce prehlásenie o zhode podľa smernice EÚ a noriem pre výrobok.
 декларира следното съответствие съгласно директивите и нормите на ЕС за продукта.
 заявляє про відповідність згідно з Директивою ЄС та стандартами, чинними для даного товару
 deklareerib vastavuse järgnevalele EL direktiivi dele ja normidele
 deklaruoja atitiktį pagal ES direktyvas ir normas straipsniui
 izjavljuje sledeći konformitet u skladu s odredbom EZ i normama za artikl
 Atbilstības sertifikāts apliecina zemāk minēto preču atbilstību ES direktīvām un standartiem
 Samræmisýrfrýsing staðfestir eftirfarandi samræmi samkvæmt reglum Evrópubandalagsins og stöðlum fyrir vörur

Cordless Grass and Hedge Trimmer GCGS 18-S/Charger GCGS 18-S

- 98/37/EG 87/404/EWG
 73/23/EWG_93/68/EEC R&TTD 1999/5/EG
 97/23/EG 2000/14/EG: L_{WM} = 86 dB; L_{WA} = 91 dB
 89/336/EWG_93/68/EEC 95/54/EG:
 90/396/EWG 97/68/EG:
 89/686/EWG

**EN 50260-1; EN 50144-2-15; prEN 50335-2-94;
 EN 55014-1; EN 55014-2; EN 61000-6-3
 TÜV Süddeutschland Bau und Betrieb; KBV VI; OR/10566/06**

Landau/Isar, den 07.11.2006

Weichselgartner
 General-Manager

Gottelt
 Product-Management

Art.-Nr.: 34.105.93 I.-Nr.: 01016
 Subject to change without notice

Archivierung: 3410590-41-4155050

GB WARRANTY CERTIFICATE

The product described in these instructions comes with a 3 year warranty covering defects. This 3-year warranty period begins with the passing of risk or when the customer receives the product.

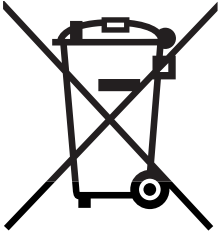
For warranty claims to be accepted, the product has to receive the correct maintenance and be put to the proper use as described in the operating instructions.

Your statutory rights of warranty are naturally unaffected during these 3 years.

This warranty applies in Germany, or in the respective country of the manufacturer's main regional sales partner, as a supplement to local regulations. Please note the details for contacting the customer service center responsible for your region or the service address listed below.

GB Einhell UK Ltd
Unit 5 Morpeth Wharf
Twelve Quays
Birkenhead, Wirral
CH 41 1LF

Helpline-No.: GB 0044 151649 1500
IRL 189 094 6244



GB For EU countries only

Never place any electric tools in your household refuse.

To comply with European Directive 2002/96/EC concerning old electric and electronic equipment and its implementation in national laws, old electric tools have to be separated from other waste and disposed of in an environment-friendly fashion, e.g. by taking to a recycling depot.

Recycling alternative to the demand to return electrical devices:

As an alternative to returning the electrical device, the owner is obliged to cooperate in ensuring that the device is properly recycled if ownership is relinquished. This can also be done by handing over the used device to a returns center, which will dispose of it in accordance with national commercial and industrial waste management legislation. This does not apply to the accessories and auxiliary equipment without any electrical components which are included with the used device.

GB

The reprinting or reproduction by any other means, in whole or in part, of documentation and papers accompanying products is permitted only with the express consent of ISC GmbH.

GB Technical changes subject to change

