

PARKSIDE

PSZ 250 A2



GB CY

CABLE HOIST

Operation and Safety Notes
Original operating instructions

HR

VUČNA DIZALICA

Upute za posluživanje i za Vašu sigurnost
Originalne upute za uporabu

BG

ВЪЖЕН ПОДЕМНИК

Указания за обслужване и безопасност
Оригинална работна инструкция

GR CY

ΑΝΥΨΩΤΗΡΑΣ

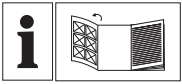
Υποδείξεις χειρισμού και ασφαλείας
Πρωτότυπες Οδηγίες χρήσης

DE AT CH

SEILHEBEZUG

Bedienungs- und Sicherheitshinweise
Originalbetriebsanleitung

7+



GB CY

Before reading, unfold the page containing the illustrations and familiarise yourself with all functions of the device.

HR

Prije nego što pročitate tekst, otvorite stranicu sa slikama i upoznajte se na osnovu toga sa svim funkcijama uređaja.

BG

Преди прочита отворете страницата с изображенията и се запознайте след това с всички функции на уреда.

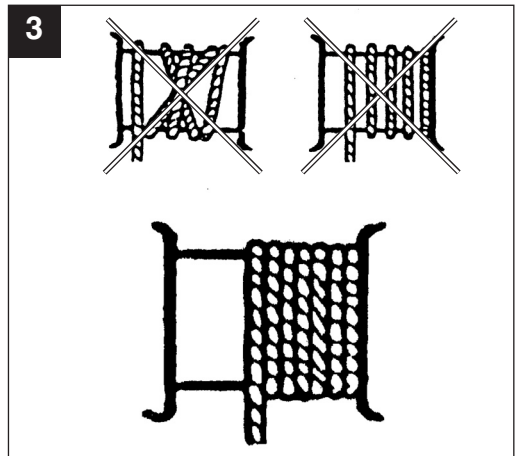
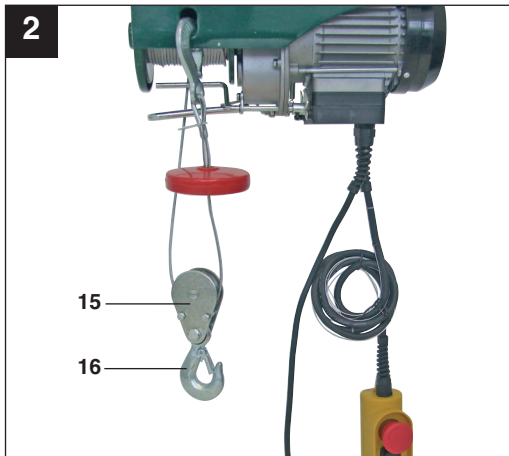
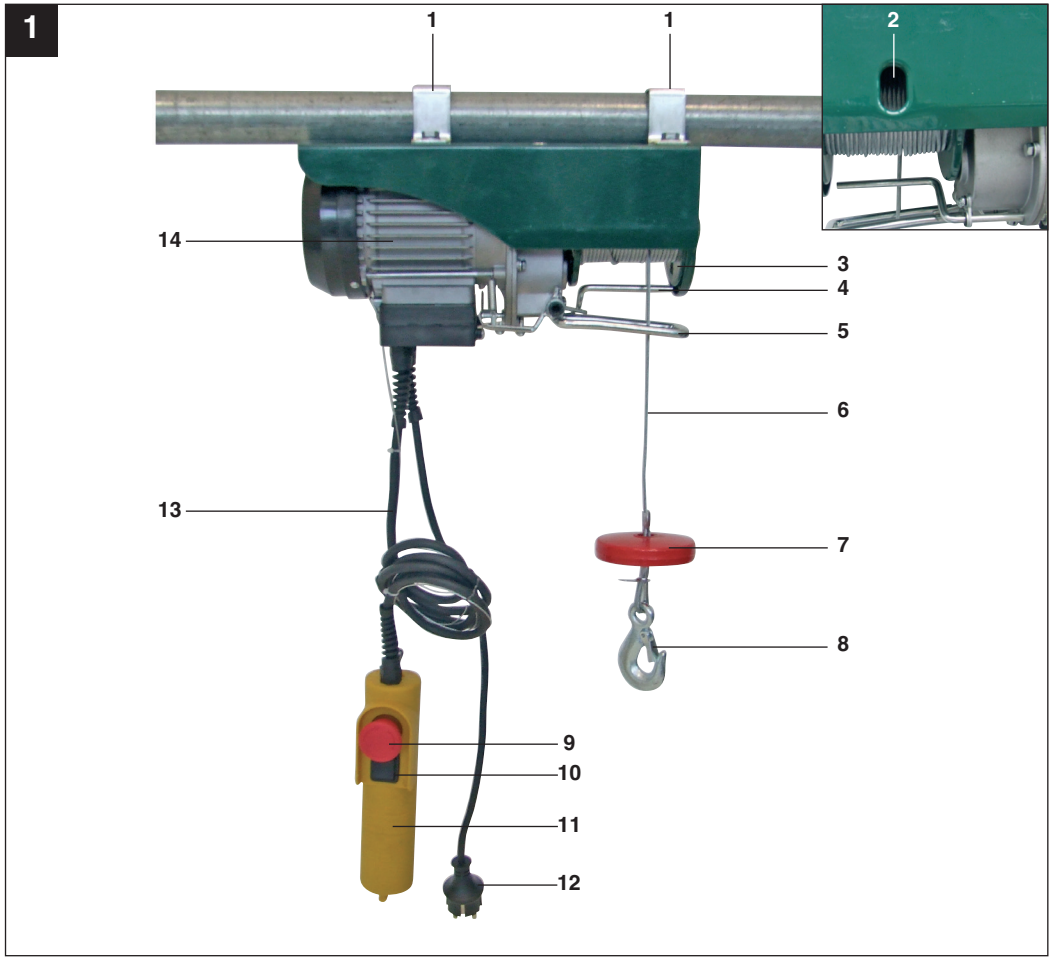
GR CY

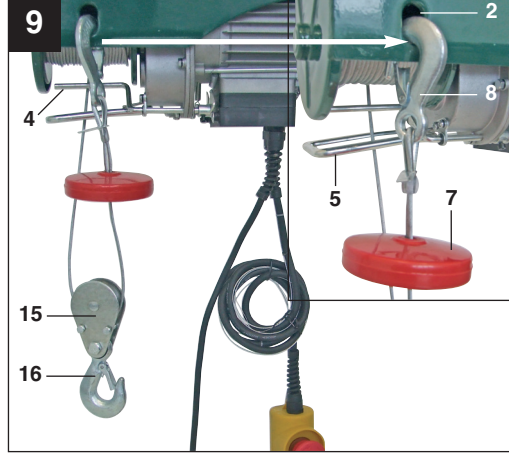
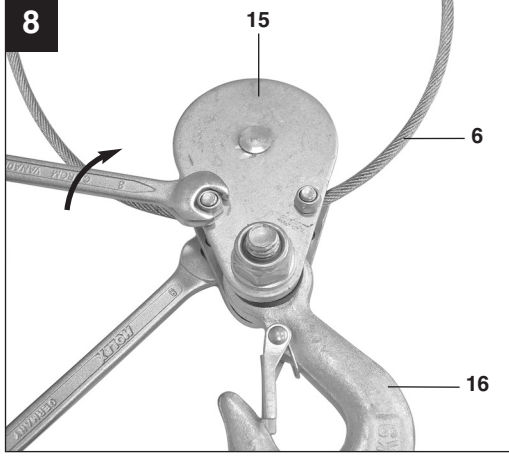
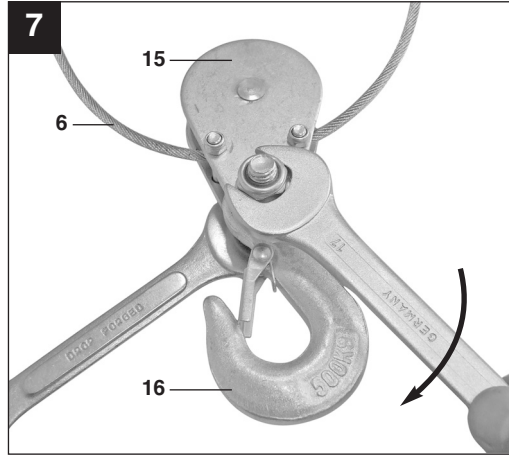
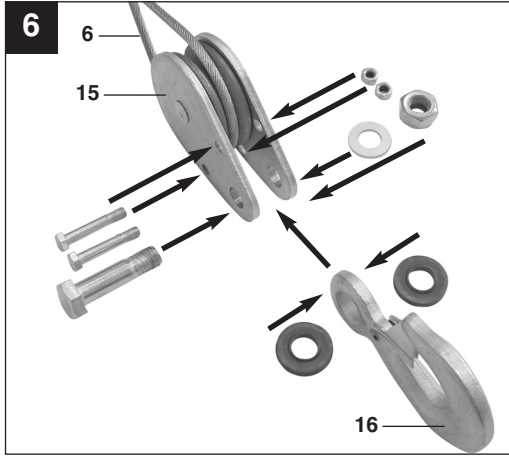
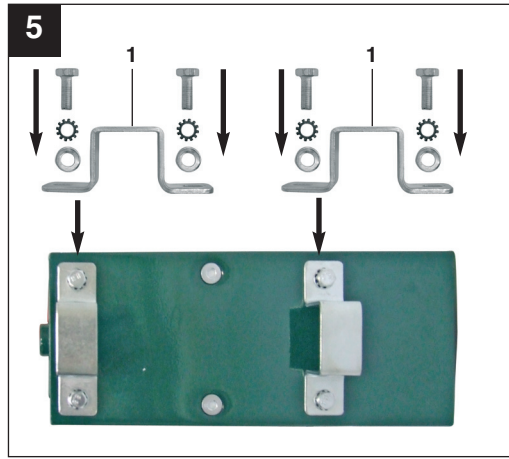
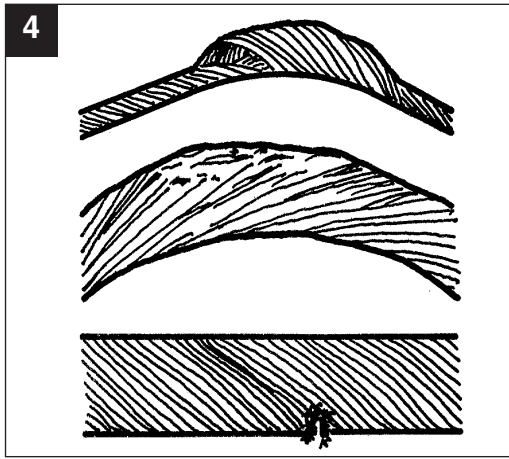
Πριν ξεκινήσετε την ανάγνωση, ανοίξτε τη σελίδα με τις εικόνες και εξοικειωθείτε με όλες τις λειτουργίες της συσκευής.

DE AT CH

Klappen Sie vor dem Lesen die Seite mit den Abbildungen aus und machen Sie sich anschließend mit allen Funktionen des Gerätes vertraut.

GB/CY	Operation and Safety Notes	Page	6
HR	Upute za posluživanje i za Vašu sigurnost	Stranica	14
BG	Указания за обслужване и безопасност	Страница	22
GR/CY	Υποδείξεις χειρισμού και ασφαλείας	Σελίδα	30
DE/AT/CH	Bedienungs- und Sicherheitshinweise	Seite	38





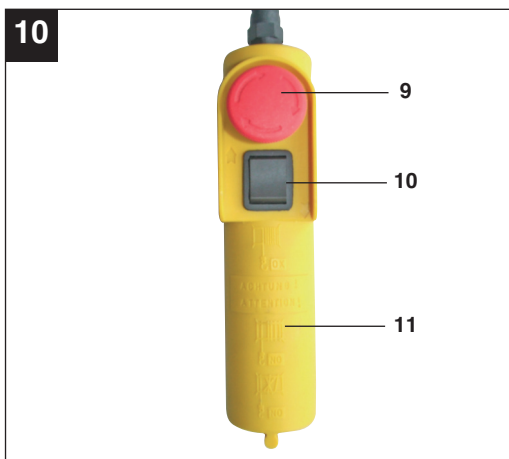




Table of contents:

Page

1. Introduction	7
2. Safety information	7
3. Layout and items supplied	7
4. Proper use	8
5. Technical data	8
6. Before starting the equipment.....	8-9
7. Operation	9-10
8. Cleaning, maintenance and ordering of spare parts	10
9. Disposal and recycling	10-11
10. Declaration of conformity	12
11. Guarantee Certificate	13

The reprinting or reproduction by any other means, in whole or in part, of documentation and papers accompanying products is permitted only with the express consent of ISC GmbH.

Technical changes subject to change

1. Introduction

⚠ Important!

When using equipment, a few safety precautions must be observed to avoid injuries and damage. Please read the complete operating manual with due care. Keep this manual in a safe place, so that the information is available at all times. If you give the equipment to any other person, give them these operating instructions as well. We accept no liability for damage or accidents which arise due to non-observance of these instructions and the safety information.

2. Safety information

⚠ CAUTION!

Read all safety regulations and instructions.

Any errors made in following the safety regulations and instructions may result in an electric shock, fire and/or serious injury.

Keep all safety regulations and instructions in a safe place for future use.

- Always check that the mains voltage is identical to the voltage quoted on the rating plate. In the event that the mains voltage is not suitable, it may cause the machine to work abnormally and thus result in personal injury.
- The power supply must be earthed and be secured by a residual current operated circuit breaker (RCCB).
- Do not attempt to lift loads that exceed the rated load.
- Use the machine only for the purpose for which it is designed. Never lift personnel using the cable hoist.
- Do not pull the power cable in order to pull out the plug. Protect the power cable from heat, oil and sharp edges.
- Never attempt to raise fixed or jammed loads.
- Pull out the plug when the cable hoist is not in use.

- Keep children and other unauthorized persons away from the machine.
- Do not pull loads sideways or from one side. Do not allow the load to swing.
- Ensure that the hook moves in the same direction as shown on the pushbutton.
- Check the cable hoist at regular intervals for signs of damage. The pushbutton must be in good condition.
- Have repair and servicing work carried out only by authorized workshops by a trained electrician. Repair work must only be carried out by a trained electrician, otherwise the machine may cause accidents.
- Do not switch the machine on and off quickly (inching mode).
- Always concentrate fully when operating the cable hoist.
- Do not stand or work under the raised load.
- It is not permitted to lift fixed or jammed loads.

3. Layout and items supplied (Fig. 1-2)

1. Fastening bar
2. Fastening hole for hook
3. Drum
4. Lever for maximum cable length
5. Automatic stop mechanism lever
6. Steel cable
7. Cut-out weight
8. Hook
9. Emergency Stop switch
10. Pushbutton
11. Remote control
12. Power cable
13. Control cable
14. Motor
15. Return roller
16. Additional hook

GB/
CY

4. Proper use

The cable hoist is designed for lifting and lowering loads in enclosed areas commensurate with the machine's capacity.

The equipment is to be used only for its prescribed purpose. Any other use is deemed to be a case of misuse. The user / operator and not the manufacturer will be liable for any damage or injuries of any kind caused as a result of this.

Please note that our equipment has not been designed for use in commercial, trade or industrial applications. Our warranty will be voided if the machine is used in commercial, trade or industrial businesses or for equivalent purposes.

5. Technical data

Voltage (V)	230 V ~ 50 Hz
Rated current (A)	2.2
Power consumption (W)	500
Operating mode	S3 20%:10 min
Rated load (kg)	125 / 250
Lifting height (m)	11.5 / 5.7
Rated speed (m/min)	8 / 4
Diameter of steel cable (mm)	3.0
Tensile strength of the steel cable (N/mm ²)	1870
Insulation class	B
Protection class	IP24
Drive unit class	M1
Net weight (kg)	10.5

Operating mode S3 – 20% - 10 minutes: S3 = Intermittent mode without influencing the starting process. This means that the maximum operating period over a time of 10 minutes is 20% (2 minutes).

6. Before starting the equipment

- Before you connect the equipment to the mains supply make sure that the data on the rating plate are identical to the mains data.
- Always pull out the power plug before making adjustments to the equipment.
- The cable hoist is not suitable for transporting hot and/or molten materials nor is it suitable for use at low temperatures or in environments subject to intensive weathering.
- It is in mechanical group M1.
- The service life of the cable hoist is approximately 8000 cycles (excluding wearing parts). When the hoist has completed 8000 cycles, all its mechanical parts must be checked and overhauled.
- Read and absorb the operating instructions before you use the cable hoist.
- Ensure that the operator knows how the machine works and how it should be operated.
- The user must always operate the equipment as set out in the operating instructions.
- The cable hoist is not designed for continuous operation. Its mode of operation is: Intermittent mode without influencing the starting process.
- The rated capacity of the machine does not vary due to the position of the load.

6.1 Unpacking

After opening the packaging, inspect the equipment, the steel cable, the hook, the lever for maximum cable length and the automatic stop mechanism lever for signs of possible transit damage.

6.2 Assembly (Fig. 5)

The cable hoist is fitted with two fastening bars (1) with which it has to be fastened to a rectangular tube / swing arm. The dimensions of the rectangular tube / swing arm must conform with the size of the fastening bars (1) and must be capable of supporting twice the rated load. We recommend that you seek

advice from a qualified technician. All screws must be tightened correctly. A qualified technician should check the anchoring of the rectangular tube / swing arm before the machine is started.

6.3 Block and tackle function (Fig. 6 – 9)

The cable hoist is fitted with a return roller (15) and an additional hook (16). If these parts are used correctly, the cable hoist can lift twice its rated load.

Fit the return roller (15) and additional hook (16) as shown in Figure 6 – 8. The permanent hook (8) must be attached to the fastening hole (2) (Fig. 9).

The load is now raised by two steel cables, which means that the cable hoist can lift twice its rated load.

7. Operation

7.1 Starting up

- Remove the adhesive tape from the drum (3) before using the hoist for the first time.
- The value of the A-rated noise emissions at the operator's position is less than 70 dB.
- Supply voltage: 230 V ± 10%, 50 Hz ± 1%.
- The cable hoist must be operated in ambient temperatures of between 0°C and 40°C with a relative humidity of less than 85%. Height above sea level: max. 1,000 m.
- The temperature for transport and storage may be between -25°C and 55°C. The maximum temperature must not exceed 70°C.
- The user should lift the load off the ground at the slowest possible speed. The cable should be taut when the load is raised.
- The motor (14) for the cable hoist is fitted with a thermostat switch. Whilst the cable hoist is operating, the motor (14) may therefore stop. It will restart automatically when it has cooled down.
- The electric cable hoist is not fitted with a rated power limiter. You should therefore not repeat attempts to lift a load if the overload trip is limiting the hoist's

operation. In this case the load exceeds the rated capacity of the cable hoist.

- Do not leave any suspended loads unsupervised without first taking the appropriate safety precautions.
- Fit the machine with a 10 A fuse or a 10 A residual current operated circuit breaker (RCCB) to protect the circuit
- Do not use the lever (4/5) as a routine stopping device. It should only be used to stop the machine in an emergency.
- Before you start, ensure that the steel cable (6) is correctly wound around the drum (3) and that the spacing between the windings is smaller than the steel cable (Fig. 3)
- Ensure that the load is correctly secured to the hook (8) or, if you are using the block and tackle, the additional hook (16) and always maintain a safe distance from the load and the steel cable (6).

7.2 Operation (Fig. 9-10)

- Check whether the Emergency Stop switch (9) is pressed. Turn the Emergency Stop switch clockwise to release it.
- Press the pushbutton ▲ (10) to raise the load.
- Press the pushbutton ▼ (10) to lower the load.
- Automatic stop mechanism lever (5): When the maximum lifting height has been reached, the cut-out weight (7) presses the lever (5) upwards. This trips a limit switch after which the load cannot be raised any further.
- Lever for maximum cable length (4): When the load has reached its lowest possible position, a limit switch is tripped which makes it impossible to lower the load any further. This limit switch also prevents the cable hoist operating in the wrong direction (hook moving in the opposite direction to the arrow shown on the pushbutton).
- The cable hoist will stop if the Emergency Stop switch (9) is pressed.
- In an emergency, immediately press the Emergency Stop switch (9) to stop the cable hoist. The cable hoist cannot be operated if the Emergency Stop switch has

GB/
CY

been pressed.

8. Cleaning, maintenance and ordering of spare parts

Always pull out the mains power plug before starting any cleaning work.

8.1 Cleaning

- Keep all safety devices, air vents and the motor housing free of dirt and dust as far as possible. Wipe the equipment with a clean cloth or blow it with compressed air at low pressure.
- Clean the equipment immediately after you use it.
- Clean the equipment regularly with a moist cloth and some soft soap. Do not use cleaning agents or solvents; these could attack the plastic parts of the equipment. Ensure that no water can seep into the device.

8.2 Servicing

Important. Always ensure that the machine is not connected to the mains supply before you start any servicing work.

- In the following: One cycle means one raising and lowering movement of a load. Periodic inspection means an inspection after 100 cycles.
- Test periodically that the limit switches on the cable hoist are in correct working order. (Test without a load) Conduct this test as follows: When the cable has reached the maximum height, the lever on the automatic stopping mechanism (5) will be actuated. The motor (14) must then stop. When the steel cable (6) has been unwound as far as possible, the lever for the maximum cable length (4) will be actuated. The motor (14) must then stop.
- Inspect the mains cable (12) and the control cable (13) periodically.
- The steel cable (6) and return roller (15) must be greased every 200 cycles.
- A check must be made every 30 cycles, as shown in Fig. 4, to find whether the entire

steel cable (6) is in good condition. If it is damaged, it must be replaced by a steel cable of the type specified in the technical data.

- Check every 1000 cycles whether the screws for the fastening bars (1) and return roller (15) are properly tightened.
- Check every 1000 cycles whether the hooks (8/16) and return roller (15) are in good condition.
- Check before using the cable hoist whether the Emergency Stop switch (9) and pushbuttons (10) are in perfect working order.
- Check the braking system every 1000 cycles. If the motor (14) makes any unusual noises or cannot raise the rated load, it is possible that the braking system requires an overhaul:
 - Replace damaged or worn parts and keep the service documentation relating to this in a safe place.
 - Please contact an authorized service center for any unscheduled maintenance work.

8.3 Ordering replacement parts:

Please quote the following data when ordering replacement parts:

- Type of machine
 - Article number of the machine
 - Identification number of the machine
- For our latest prices and information please go to www.isc-gmbh.info

9. Disposal and recycling

The unit is supplied in packaging to prevent its being damaged in transit. This packaging is raw material and can therefore be reused or can be returned to the raw material system. The unit and its accessories are made of various types of material, such as metal and plastic. Defective components must be disposed of as special waste. Ask your dealer or your local council.



For EU countries only

Never place any electric tools in your household refuse.

To comply with European Directive 2002/96/EC concerning old electric and electronic equipment and its implementation in national laws, old electric tools have to be separated from other waste and be disposed of in an environment-friendly fashion, e.g. by taking to a recycling depot.

Recycling alternative to returning the electrical equipment:

The owner of the electrical equipment is obligated to arrange for its proper disposal if he no longer wants to keep the equipment in his possession and does not want to return it. In this case the old equipment can be taken to a recycling depot where it is disposed of in accordance with national recycling and waste disposal laws. This does not apply to accessory parts and aids which supplement the old equipment and contain no electrical parts

GB/
CY**10. Declaration of conformity**

Einhell Germany AG · Wiesenweg 22 · D-94405 Landau/Isar

**Konformitätserklärung**

- | | |
|---|--|
| <p>(e) erklärt folgende Konformität gemäß EU-Richtlinie und Normen für Artikel</p> <p>(en) explains the following conformity according to EU directives and norms for the following product</p> <p>(f) déclare la conformité suivante selon la directive CE et les normes concernant l'article</p> <p>(i) dichiara la seguente conformità secondo la direttiva UE e le norme per l'articolo</p> <p>(nl) verklaart de volgende overeenstemming conform EU richtlijn en normen voor het product</p> <p>(e) declara la siguiente conformidad a tenor de la directiva y normas de la UE para el artículo</p> <p>(p) declara a seguinte conformidade, de acordo com a directiva CE e normas para o artigo</p> <p>(no) attesterer følgende overensstemmelse i medfør af EU-direktivt samt standarder for artiklet</p> <p>(s) förklarar följande överensstämmelse enl. EU-direktiv och standarder för artikeln</p> <p>(su) vakuuttaa, että tuote täyttää EU-direktiivin ja standardien vaatimukset</p> <p>(ee) tõendab toote vastavust EL direktiivile ja standarditele</p> <p>(cz) vydává následující prohlášení o shodě podle směrnice EU a norem pro výrobek</p> <p>(hu) potvrdjuje sledečo skladnost s smernico EU in standardi za izdelek</p> <p>(sk) vydáva nasledujúce prehlásenie o zhode podľa smernice EÚ a noriem pre výrobok</p> <p>(h) a cikkekhez az EU-irányvonal és Normák szerint a következő konformitást jelenti ki</p> | <p>(de) deklariuje zgodność wymienionego poniżej artykułu z następującymi normami na podstawie dyrektywy WE.</p> <p>(bg) декларира съответното съответствие съгласно Директива на ЕС и норми за артикул</p> <p>(hr) paskaidro šadu atbilstību ES direktīvai un standartiem</p> <p>(it) apibūdina šj atitikimą EU reikalavimams ir prekės normoms</p> <p>(ro) declară următoarea conformitate conform directivei UE și normelor pentru articolul</p> <p>(el) δηλώνει την ακόλουθη συμμόρφωση σύμφωνα με την Οδηγία ΕΚ και τα πρότυπα για το προϊόν</p> <p>(sl) potvrdjuje sljedeću usklađenost prema smjernicama EU i normama za artikl</p> <p>(pl) potvrdjuje sljedeću usklađenost prema smjernicama EU i normama za artikl</p> <p>(pt) potvrdjuje sledeću usklađenost prema smernicama EZ i normama za artikla</p> <p>(fi) seuraavilla todennetaan, että seuraavat tuotteet täyttävät direktiivien ja normien mukaisesti Euroopan unionin direktiivien ja normien vaatimukset</p> <p>(lv) proglašuje pro zasnacenu nižče vidpovednost výrobu direktivam ta standartam ES na virib</p> <p>(uk) ja изјавува следната сообразност согласно ЕУ-директивата и нормите за артикли</p> <p>(da) Úrünü ile ilgili AB direktifleri ve normları gereğince aşağıda açıklanan uygunluğu belirtir</p> <p>(no) erklærer følgende samsvar i henhold til EU-direktivet og standarder for artikkel</p> <p>(is) Lýsir uppfyllingu EU-reglna og annarra staðla vöru</p> |
|---|--|

Seilhebezug PSZ 250 A2 (Parkside)

- | | |
|---|---|
| <input type="checkbox"/> 87/404/EC_2009/105/EC | <input checked="" type="checkbox"/> 2006/42/EC |
| <input type="checkbox"/> 2005/32/EC_2009/125/EC | <input type="checkbox"/> Annex IV |
| <input type="checkbox"/> 2006/95/EC | Notified Body: |
| <input type="checkbox"/> 2006/28/EC | Notified Body No.: |
| <input checked="" type="checkbox"/> 2004/108/EC | Reg. No.: |
| <input type="checkbox"/> 2004/22/EC | <input type="checkbox"/> 2000/14/EC_2005/88/EC |
| <input type="checkbox"/> 1999/5/EC | <input type="checkbox"/> Annex V |
| <input type="checkbox"/> 97/23/EC | <input type="checkbox"/> Annex VI |
| <input type="checkbox"/> 90/396/EC_2009/142/EC | Noise: measured L _{WA} = dB (A); guaranteed L _{WA} = dB (A) |
| <input type="checkbox"/> 89/686/EC_96/58/EC | P = KW; L/O = cm |
| | Notified Body: |
| | <input type="checkbox"/> 2004/26/EC |
| | Emission No.: |

**Standard references: EN 14492-2; EN 60204-32;
EN 55014-1; EN 55014-2; EN 61000-3-2; EN 61000-3-3**

Landau/Isar, den 18.04.2011


 Weichselgartner/General Manager


 Wentao/Product-Management

First CE: 09
Art.-No.: 22.551.25 **I.-No.:** 11021
Subject to change without notice

Archive-File/Record: NAPR003513
Documents registrar: Robert Mayn
 Wiesenweg 22, D-94405 Landau/Isar

11. GUARANTEE CERTIFICATE

Dear Customer,

All of our products undergo strict quality checks to ensure that they reach you in perfect condition. In the unlikely event that your device develops a fault, please contact our service department at the address shown on this guarantee card. Of course, if you would prefer to call us then we are also happy to offer our assistance under the service number printed below. Please note the following terms under which guarantee claims can be made:

1. These guarantee terms cover additional guarantee rights and do not affect your statutory warranty rights. We do not charge you for this guarantee.
2. Our guarantee only covers problems caused by material or manufacturing defects, and it is restricted to the rectification of these defects or replacement of the device. Please note that our devices have not been designed for use in commercial, trade or industrial applications. Consequently, the guarantee is invalidated if the equipment is used in commercial, trade or industrial applications or for other equivalent activities. The following are also excluded from our guarantee: compensation for transport damage, damage caused by failure to comply with the installation/assembly instructions or damage caused by unprofessional installation, failure to comply with the operating instructions (e.g. connection to the wrong mains voltage or current type), misuse or inappropriate use (such as overloading of the device or use of non-approved tools or accessories), failure to comply with the maintenance and safety regulations, ingress of foreign bodies into the device (e.g. sand, stones or dust), effects of force or external influences (e.g. damage caused by the device being dropped) and normal wear resulting from proper operation of the device. This applies in particular to rechargeable batteries for which we nevertheless issue a guarantee period of 12 months.

The guarantee is rendered null and void if any attempt is made to tamper with the device.

3. The guarantee is valid for a period of 3 years starting from the purchase date of the device. Guarantee claims should be submitted before the end of the guarantee period within two weeks of the defect being noticed. No guarantee claims will be accepted after the end of the guarantee period. The original guarantee period remains applicable to the device even if repairs are carried out or parts are replaced. In such cases, the work performed or parts fitted will not result in an extension of the guarantee period, and no new guarantee will become active for the work performed or parts fitted. This also applies when an on-site service is used.
4. In order to assert your guarantee claim, please send your defective device postage-free to the address shown below. Please enclose either the original or a copy of your sales receipt or another dated proof of purchase. Please keep your sales receipt in a safe place, as it is your proof of purchase. It would help us if you could describe the nature of the problem in as much detail as possible. If the defect is covered by our guarantee then your device will either be repaired immediately and returned to you, or we will send you a new device.

Of course, we are also happy offer a chargeable repair service for any defects which are not covered by the scope of this guarantee or for units which are no longer covered. To take advantage of this service, please send the device to our service address.

EINHELL Hellas A. E.
Lasithiou Str. 4
14342 Nea Philadelphia
Tel. 0210 2776871 · Fax 0210 2776871

HR

Sadržaj:

Stranica

1. Uvod	15
2. Sigurnosne napomene	15
3. Opis uređaja i sadržaj isporuke	15
4. Namjenska uporaba	16
5. Tehnički podaci	16
6. Prije puštanja u pogon.....	16-17
7. Rukovanje	17
8. Čišćenje, održavanje i naručivanje rezervnih dijelova	18
9. Zbrinjavanje i recikliranje.....	18-19
10. Izjava o usklađenosti	20
11. Jamstveni list	21

Naknadno tiskanje ili slična umnožavanja dokumentacije i pratećih papira ovih proizvoda, čak i djelomično kopiranje, moguće je samo uz izričito dopuštenje tvrtke ISC GmbH.

Zadržavamo pravo na tehnične izmjene.

1. Uvod

⚠ Pažnja!

Da bi se spriječila ozljeđivanja i nastanak šteta prilikom korištenja uređaja, treba se pridržavati sigurnosnih mjera opreza. Zbog toga pažljivo pročitajte ove upute za uporabu. Dobro ih sačuvajte tako da Vam informacije u svako doba budu na raspolaganju. U slučaju da uređaj trebate predati drugoj osobi, uručite joj s njime i ove upute za uporabu. Ne preuzimamo jamstvo za nesreće ili štete nastale zbog nepridržavanja ovih uputa i njihovih sigurnosnih napomena.

2. Sigurnosne napomene

⚠ UPOZORENJE!

Pročitajte sve sigurnosne napomene i upute.

Propusti kod pridržavanja sigurnosnih napomena i uputa mogu uzrokovati el. udar, požar i/ili teška ozljeđivanja.

Sačuvajte sve sigurnosne napomene i upute za buduće korištenje.

- Uvijek provjerite odgovara li mrežni napon vrijednosti napona navedenoj na tipskoj pločici. U slučaju da mrežni napon ne odgovara, moglo bi doći do nenormalnog rada stroja i ozljeđivanja osoba.
- Strujno napajanje mora imati uzemljenje i biti osigurano zaštitnom sklopkom.
- Zabranjeno je podizati teret koji prelazi nazivno opterećenje.
- Koristite uređaj samo u predviđene svrhe. Nikad ne podižite osobe pomoću dizalice sa sajlom.
- Nikad ne vucite za kabel, da biste izvukli utikač. Držite kabel podalje od izvora topline, ulja, oštarih rubova.
- Nikad nemojte pokušavati podizati fiksirane ili blokirane terete.
- Kad ne koristite dizalicu sa sajlom, izvucite mrežni utikač.
- Djecu i druge za rad neovlaštene osobe držite podalje od uređaja.

- Zabranjeno je povlačiti teret u stranu ili s jedne strane. Izbjegavajte njihanje tereta.
- Provjerite kreće li se kuka u istom smjeru kao što je prikazano na tipki.
- Redovito kontrolirajte dizalicu sa sajlom na oštećenja. Tipka mora biti u dobrom stanju.
- Prepustite popravke i radove održavanja samo električarima u ovlaštenim stručnim radionicama. Popravke smije obavljati samo električar, u suprotnom može doći do nesreće po korisnika.
- Izbjegavajte brzo uključivanje i isključivanje (tipkanje).
- Uvijek budite oprezni prilikom rada s dizalicom sa sajlom.
- Ne stojte niti ne radite ispod podignutog tereta.
- Nije dopušteno podizati zaglavljene ili uklještene terete.

3. Opis uređaja i sadržaj isporuke (slika 1-2)

1. Pričvrсна petlja
2. Rupa za pričvršćenje kuke
3. Bubanj
4. Poluga za maksimalnu dužinu sajle
5. Poluga automatskog mehanizma za zaustavljanje
6. Čelična sajla
7. Isklopni uteg
8. Kuka
9. Sklopka za nuždu
10. Tipke
11. Daljinski upravljač
12. Mrežni kabel
13. Upravljački kabel
14. Motor
15. Skretni kotur
16. Dodatna kuka

4. Namjenska uporaba

Dizalica sa sajlom služi za podizanje i spuštanje tereta u zatvorenim prostorijama u skladu sa snagom uređaja.

Stroj se smije koristiti samo u skladu s namjenom. Svaka drukčija uporaba izvan ovih okvira nije namjenska. Za štete ili ozljeđivanja bilo koje vrste koje bi iz toga proizašle ne odgovara proizvođač nego korisnik.

Molimo da obratite pažnju na to da naši uređaji nisu konstruirani za korištenje u komercijalne svrhe kao ni u obrtu i industriji. Ne preuzimamo jamstvo ako se uređaj koristi u obrtničkim ili industrijskim pogonima i sličnim djelatnostima.

5. Tehnički podaci

Napon (V)	230 V ~ 50 Hz
Nazivna struja (A)	2,2
Snaga (W)	500
Vrsta pogona	S3 20%:10 min
Nazivno opterećenje (kg)	125 / 250
Visina podizanja (m)	11,5 / 5,7
Nazivna brzina (m/min)	8 / 4
Promjer čelične sajle (mm)	3,0
Čvrstoća čelične sajle (N/mm ²)	1870
Klasa izolacije	B
Klasa zaštite	IP24
Pogonska klasa	M1
Neto težina (kg)	10,5

Vrsta pogona S3 - 20% - 10 min: S3 = promjenjivi pogon bez utjecaja vremena zaleta
To znači da za vrijeme od 10 min maks. vrijeme pogona iznosi 20% (2 min).

6. Prije puštanja u pogon

- Prije priključivanja provjerite odgovaraju li podaci na tipskoj pločici podacima o mreži.
- Prije nego što počnete podešavati stroj, uvijek izvucite mrežni utikač.
- Dizalica sa sajlom nije prikladna za transport vrućih i/ili rastopljenih masa, zatim nije predviđena za korištenje kod niskih temperatura i u okolini intenzivnih vremenskih utjecaja.
- Mehanička grupa je M1.
- Trajanje dizalice je oko 8000 ciklusa (isključivši potrošne dijelove). Kad istekne 8000 ciklusa, morate provjeriti i zamijeniti sve mehaničke dijelove.
- Prije nego što započnete s korištenjem dizalice pročitajte i usvojite upute za rukovanje.
- Provjerite zna li osoblje kako stroj funkcionira i kako se s njim rukuje.
- Korisnik bi trebao uvijek raditi u skladu s uputama za rukovanje.
- Dizalica sa sajlom nije predviđena za trajni pogon. Način rada je: promijenjivi pogon bez utjecaja vremena zaleta.
- Nazivna snaga stroja ne varira s položajem opterećenja.

6.1 Raspakiranje

Nakon otvaranja pakiranja provjerite ima li eventualnih transportnih oštećenja uređaja, čelične sajle, kuke, poluge za maksimalnu dužinu sajle ili poluge automatskog mehanizma za zaustavljanje.

6.2 Montaža (slika 5)

Dizalica sa sajlom opremljena je s 2 pričvrstne obujmice (1) pomoću kojih se mora pričvrstiti na četverokutnu cijev / zakretni krak. Dimenzije četverokutne cijevi / zakretnog kraka moraju biti u skladu s veličinom pričvrstnih obujmica (1) i on bi morao izdržati dvostruko nazivno opterećenje. Preporučujemo da u vezi s tim stupite u kontakt s kvalificiranim tehničarom. Sve vijke morate pritegnuti propisno. Prije puštanja u rad kvalificirani tehničar trebao bi provjeriti učvršćenje četverokutne cijevi /

zakretnog kraka.

6.3 Funkcija podizanja pomoću koloturnika (slike 6-9)

Dizalica je opremljena skretnim koturom (15) i dodatnom kukom (16). Kod pravilne uporabe dizalica sa sajlom može podići dvostruki teret. Montirajte skretni kotur (15) i dodatnu kuku (16) kao što je prikazano na slikama 6-8.

Fiksno montirana kuka (8) mora se objesiti na pričvrstnu rupu (2) (slika 9).

Teret se sad podiže pomoću dvije čelične sajle, dizalica može na taj način podići dvostruki teret.

7. Rukovanje

7.1 Puštanje u rad

- Prije prvog korištenja uklonite s bubnja (3) ljepljivu traku.
- Vrijednost izmjerene A-emisije buke na radnom mjestu manja je od 70 dB.
- Napon napajanja: 230V ± 10%, 50Hz ± 1%.
- Dizalicu sa sajlom treba koristiti pri temperaturama okoline između 0 °C i 40 °C, relativne vlage zraka ispod 85%. Nadmorska visina: maks. 1000 m.
- Kod transporta i skladištenja temperatura smije biti između -25 °C i 55 °C. Najviša dopuštena temperatura ne smije prijeći 70 °C.
- Korisnik bi trebao podizati teret s tla s najmanjom mogućom brzinom. Kad se teret podiže, sajla bi trebala biti napeta.
- Motor (14) dizalice sa sajlom opremljen je termostatskom sklopkom. Tijekom rada dizalice može doći do zaustavljanja rada motora (14), on će automatski nastaviti rad čim se ohladi.
- Električna dizalica sa sajlom nije opremljena sigurnosnim prekidačem za ograničavanje nazivnog opterećenja. Zbog toga nemojte dalje pokušavati podizati teret ako je reagirala zaštita od pregrijavanja. U takvom slučaju teret premašuje nazivnu snagu dizalice.
- Ne ostavljajte viseći teret bez nadzora i

poduzetih mjera sigurnosti.

- Osigurajte uređaj osiguračem od 10 A ili zaštitnom sklopkom od 10 A kako biste zaštitili strujni krug.
- Ne koristite poluge (4/5) kao rutinsku napravu za zaustavljanje. One služe za zaustavljanje samo u slučaju nužde.
- Prije nego započnete provjerite je li čelična sajla (6) pravilno namotana na bubanj (3) i jesu li razmaci između namotaja manji od debljine sajle (slika 3).
- Provjerite je li teret na kuki (8) odnosno kod rada s koloturnikom na dodatnoj kuki (16) pravilno osiguran i uvijek održavajte razmak prema teretu i čeličnoj sajli (6).

7.2 Pogon (slika 9-10)

- Provjerite je li pritisnuta sklopka za slučaju nužde (9). Da biste deblokirali sklopku za slučaj nužde, okrenite je u smjeru kazaljke na satu.
- Pritisnite tipku ▲ (10) za podizanje tereta.
- Pritisnite tipku ▼ (10) za spuštanje tereta.
- Poluga automatskog mehanizma za zaustavljanje (5): Kad je postignuta najveća visina podizanja, isklonni uteg (7) pritisne polugu (5) prema gore. Na taj način aktivira se granični prekidač i teret se ne može više podizati.
- Poluga za maksimalnu dužinu sajle (4): Kad teret postigne najniži mogući položaj, aktivira se granični prekidač koji onemogućava daljnje spuštanje tereta. Ovaj granični prekidač također sprječava kretanje sajle dizalice u pogrešnom smjeru (kuka se kreće u smjeru suprotnom od prikazanog na tipki).
- Ako se aktivira sklopka za isključenje u nuždi (9), sajla dizalice se zaustavlja.
- U slučaju nužde odmah pritisnite sklopku (9), kako biste zaustavili rad dizalice. Upravljanje dizalicom nije moguće, ako je bila pritisnuta sklopka za isključenje u nuždi.

8. Čišćenje, održavanje i naručivanje rezervnih dijelova

Prije svih radova čišćenja izvucite mrežni utikač.

8.1 Čišćenje

- Zaštitne naprave, otvore za zrak i kućište motora držite što čišćima od prašine i prljavštine. Istrljajte uređaj čistom krpom ili ga ispušite komprimiranim zrakom pod niskim tlakom.
- Nakon svakog korištenja očistite uređaj.
- Redovito čistite uređaj vlažnom krpom i s malo sapunice. Ne koristite sredstva za čišćenje ni otapala; ona mogu oštetiti plastične dijelove uređaja. Pripazite na to da u unutrašnjost uređaja ne dospije voda.

8.2 Održavanje

Pozor! Kad njeđujete uređaj, provjerite je li on isključen iz strujne mreže.

- Nadalje: Jedan ciklus odgovara jednom podizanju i spuštanju tereta. Periodična kontrola nakon 100 ciklusa.
- Periodički provjeravajte funkcioniraju li granični prekidači dizalice pravilno. (provjerite bez tereta) Provjera se obavlja na sljedeći način: Kad sajla postigne maksimalnu visinu podizanja, aktivira se poluga automatskog mehanizma za zaustavljanje (5). Motor (14) se mora zaustaviti. Kad se čelična sajla (6) odmota do kraja, aktivira se poluga za maksimalnu dužinu sajle (4). Motor (14) se mora zaustaviti.
- Periodički provjeravajte mrežni (12) i upravljački kabel (13).
- Svakih 200 ciklusa morate podmazati čeličnu sajlu (6) i skretni kotur (15).
- Svakih 30 ciklusa morate u skladu sa slikom 4 kontrolirati, je li cijela čelična sajla (6) u dobrom stanju. Ako je ona oštećena, morate je zamijeniti novom u skladu s tehničkim karakteristikama.
- Svakih 1000 ciklusa provjerite jesu li vijci za pričvršćivanje petlji (1) i skretnog kotura (15) dobro pritegnuti.
- Svakih 1000 ciklusa provjerite jesu li kuka

(8/16) i skretni kotur (15) u dobrom stanju.

- Prije svakog korištenja dizalice provjerite jesu li sklopka za slučaj nuđe (9) i tipka (10) u besprijekornom stanju.
- Svakih 1000 ciklusa provjerite kočni sustav. Ako motor (14) stvara čudnu buku ili ne može podignuti nazivni teret, moguće je da se kočni sustav mora servisirati:
 - Zamijenite oštećene ili istrošene dijelove i vodite o tome pripadajuću dokumentaciju o održavanju.
 - Za neplanske popravke molimo da se obratite ovlaštenom servisnom centru.

8.3 Narudžba rezervnih dijelova:

Prilikom naručivanja rezervnih dijelova su potrebni slijedeći podaci:

- Tip uređaja
- Broj artikla uređaja
- Ident. broj uređaja

Aktualne cijene i informacije potražite na web-adresi www.isc-gmbh.info

9. Zbrinjavanje i recikliranje

Uređaj se nalazi u pakovanju koje ga štiti od oštećenja prilikom transporta. Ovo pakovanje je sirovina i zato se može ponovno upotrijebiti ili poslati na reciklažu.

Uređaj i njegov pribor izradjeni su od različitih materijala kao npr. metala i plastike.

Neispravne sastavne dijelove otpremite na mjesta za zbrinjavanje posebnog otpada.

Informacije potražite u specijaliziranoj trgovini ili nadležnoj općinskoj upravi.



Samo za zemlje članice EU

Elektroalate nemojte bacati u kućno smeće!

Prema europskoj odredbi 2002/96/EG o starim električnim i elektroničkim uređajima i njenim prijenosom u nacionalno pravo, istrošeni električni alati trebaju se posebno sakupljati i na ekološki način zbrinuti na mjestu za reciklažu.

Alternativa s recikliranjem nasuprot zahtjevu za povrat:

Vlasnik električnog uređaja alternativno je obvezan da umjesto povrata uređaja u slučaju odricanja vlasništva sudjeluje u stručnom zbrinjavanju uređaja. Stari uređaj može se u tu svrhu predati i mjestu za preuzimanje takvih uređaja koje provodi uklanjanje u smislu državnih zakona o otpadu i recikliranju. Zakonom nisu obuhvaćeni dijelovi pribora ugrađeni u stare uređaje i pomoćni materijali bez električnih elemenata.

HR**10. Izjava o usklađenosti****Einhell Germany AG · Wiesenweg 22 · D-94405 Landau/Isar****Konformitätserklärung**

- erklårt folgende Konformität gemäß EU-Richtlinie und Normen für Artikel
 explains the following conformity according to EU directives and norms for the following product
 déclare la conformité suivante selon la directive CE et les normes concernant l'article
 dichiara la seguente conformità secondo la direttiva UE e le norme per l'articolo
 verklaart de volgende overeenstemming conform EU richtlijn en normen voor het product
 declara la siguiente conformidad a tenor de la directiva y normas de la UE para el artículo
 declara a seguinte conformidade, de acordo com a directiva CE e normas para o artigo
 attesterer følgende overensstemmelse i medfør af EU-direktiv samt standarder for artikel
 förklarar följande överensstämmelse enl. EU-direktiv och standarder för artikeln
 vakuuttaa, että tuote täyttää EU-direktiivin ja standardien vaatimukset
 tëendab toote vastavust EL direktiivile ja standarditele
 vydává následující prohlášení o shodě podle směrnice EU a norem pro výrobek
 potrjuje sledečo skladnost s smernico EU in standardi za izdelek
 vydáva nasledujúce prehlásenie o zhode podľa smernice EÚ a noriem pre výrobok
 a cikkekhez az EU-irányvonal és Normák szerint a következő konformitást jelenti ki
 deklaruje zgodność wymienionego poniżej artykułu z następującymi normami na podstawie dyrektywy WE.
 декларира съответното съответствие съгласно Директива на ЕС и норми за артикул
 paskaidro šādu atbilstību ES direktīvai un standartiem
 apibūdina šj atitikamā EU reikalavimams ir prekės normoms
 declară următoarea conformitate conform directivei UE și normelor pentru articolul
 δηλώνει την ακόλουθη συμμόρφωση σύμφωνα με την Οδηγία ΕΚ και τα πρότυπα για το προϊόν
 potvrđuje sljedeću usklađenost prema smjernicama EU i normama za artikl
 potvrđuje sljedeću usklađenost prema smjernicama EU i normama za artikl
 potvrđuje sledeću usklađenost prema smernicama EZ i normama za artikla
 следующим удостоверяется, что следующие продукты соответствуют директивам и нормам ЕС
 проголошує про зазначену нижче відповідність виробу директивам та стандартам ЄС на виріб
 ja izjavuva slednata soobrznost согласно EU-direktivata i normite za artikli
 Ürünü ile ilgili AB direktifleri ve normları gereğince aşağıda açıklanan uygunluğu belirtir
 erklærer følgende samsvar i henhold til EU-direktivet og standarder for artikkel
 Lýsir uppfyllingu EU-reglna og annarra staðla vöru

Seilhebezug PSZ 250 A2 (Parkside)

- 87/404/EC_2009/105/EC
 2005/32/EC_2009/125/EC
 2006/95/EC
 2006/28/EC
 2004/108/EC
 2004/22/EC
 1999/5/EC
 97/23/EC
 90/396/EC_2009/142/EC
 89/686/EC_96/58/EC
 2006/42/EC
 Annex IV
 Notified Body:
 Notified Body No.:
 Reg. No.:
 2000/14/EC_2005/88/EC
 Annex V
 Annex VI
 Noise: measured L_{WA} = dB (A); guaranteed L_{WA} = dB (A)
 P = KW; L/O = cm
 Notified Body:
 2004/26/EC
 Emission No.:

**Standard references: EN 14492-2; EN 60204-32;
EN 55014-1; EN 55014-2; EN 61000-3-2; EN 61000-3-3**

Landau/Isar, den 18.04.2011


 Weichselgartner/General Manager


 Wentao/Product-Management

First CE: 09
Art.-No.: 22.551.25 I.-No.: 11021
Subject to change without notice

Archive-File/Record: NAPR003513
Documents registrar: Robert Mayn
Wiesenweg 22, D-94405 Landau/Isar

11. JAMSTVENI LIST

Poštovani kupče,

naši proizvodi podliježu strogoj kontroli kvalitete. Žao nam je ako bi ipak došlo do toga da uređaj ne funkcionira besprijekorno i zamolili bismo Vas da se u tom slučaju obratite na adresu naše servisne službe navedenu ispod ovog jamstva. Također smo Vam na raspolaganju na dolje navedenom telefonskom broju servisne službe. Za traženje jamstvenog zahtjeva vrijedi sljedeće:

1. Ovi jamstveni uvjeti reguliraju dodatne jamstvene usluge. Ovo jamstvo ne zadire u Vaše zakonsko pravo zahtjeva za ostvarenje jamstvenih usluga. Realizacija jamstvenih usluga je besplatna.
2. Jamstvena usluga obuhvaća isključivo nedostatke nastale zbog greške na materijalu ili tijekom proizvodnje i ograničen je na uklanjanje tih nedostataka odnosno zamjenu uređaja. Molimo da obratite pažnju na to da naši uređaji nisu konstruirani za korištenje u komercijalne svrhe niti u obrtu i industriji. Prema tome, ugovor o jamstvu ne može se ostvariti ako se uređaj koristi u obrtničkim ili industrijskim pogonima kao i u sličnim djelatnostima. Nadalje su iz jamstva isključene usluge zamjene proizvoda u slučaju transportnih oštećenja, šteta zbog nepridržavanja uputa za montažu ili zbog nestručne instalacije, nepridržavanja uputa za uporabu (kao npr. zbog priključka na pogrešni mrežni napon ili vrstu struje), zbog zlorababa ili nestručnih primjena (kao npr. preopterećenje uređaja ili korištenje nedopuštenih alata ili pribora), u slučaju nepridržavanja uputa za održavanje i sigurnosnih odredbi, zbog prodiranja stranih tijela u uređaj (npr. pijeska, kamenja ili prašine), nasilne primjene ili vanjskih utjecaja (kao npr. oštećenja zbog pada) kao i zbog uobičajenog trošenja tijekom korištenja. To naročito vrijedi za baterije za koje ipak dajemo jamstvo od 12 mjeseci.

Zahtjev za jamstvo prestaje biti valjan ako su na uređaju već izvršeni neki zahvati.

3. Jamstveni rok iznosi 3 godine a započinje s datumom kupnje uređaja. Jamstveni zahtjevi ostvaruju se prije isteka jamstvenog roka unutar dvije godine nakon što ste uočili kvar. Ostvarenje jamstvenog zahtjeva nakon isteka jamstvenog roka je isključeno. Popravkom ili zamjenom uređaja ne produljuje se jamstveni rok niti se tom uslugom ostvaruju novi jamstveni rok za uređaj ili ostale ugrađene rezervne dijelove. To također vrijedi i kod korištenja servisa na licu mjesta.
4. Da biste ostvarili svoj jamstveni zahtjev, molimo Vas da nam pošaljete neispravan uređaj bez plaćanja poštarine na dolje navedenu adresu. Priložite originalni račun za kupnju uređaja ili neki drugi dokaz o kupnji s datumom. Molimo Vas da zbog tog razloga dobro sačuvate račun kao dokaz! Što točnije opišite razlog reklamacije. Ako naša jamstvena usluga obuhvaća kvar nastao na Vašem uređaju, odmah ćemo Vam vratiti popravljenu ili novu uređaj.

Razumljivo je da ćemo za naknadu troškova ukloniti i kvarove koje jamstvena usluga ne obuhvaća. U tom slučaju pošaljite uređaj na adresu našeg servisa.

Einhell Croatia d.o.o.
Velika Ves 2
HR-49224 Lepajci
Tel. 049 342 444 · Fax 049 342 392

BG

Съдържание

страница

1. Увод	23
2. Указания за безопасна работа	23
3. Описание на уреда и обем на доставката	23-24
4. Целесъобразна употреба.....	24
5. Технически данни.....	24
6. Преди пускане в експлоатация	24-25
7. Обслужване	25-26
8. Почистване, поддръжка и поръчване на резервни части	26-27
9. Изхвърляне и преработване	27
10. Декларация за съответствие	28
11. Гаранционна карта	29

Препечатването или друг вид
размножаване на документация и
съпроводителни документи на продуктите,
също така на части е допустимо само с
изричното съгласие на ISC GmbH.

Запазено е правото за технически промени

1. Увод

⚠ Внимание!

При използване на уреда трябва да се спазват някои мерки за безопасност, за да се предотвратят наранявания и възникване на повреди. Прочетете внимателно ръководството за експлоатация. Съхранявайте го добре, за да разполагате с информацията при необходимост. Ако уредът се използва от други лица, трябва да им предадете ръководството за експлоатация. Ние не носим отговорност за злополуки или повреди, възникнали поради несъблюдаване на ръководството и на указанията за безопасна работа.

2. Указания за безопасна работа

⚠ ВНИМАНИЕ

Прочетете всички указания за безопасна работа и инструкциите.

Неспазването на указанията за безопасна работа и на инструкциите може да предизвика токов удар, пожар и/или тежки наранявания.

Съхранявайте всички указания за безопасна работа и инструкциите.

- Винаги проверявайте дали напрежението в мрежата съответства на напрежението, което е посочено на фирмената табелка на уреда. Ако напрежението в мрежата не е подходящо, това може да доведе до неправилна работа на машината и до наранявания.
- Електрозахранването трябва да има заземяване и да е защитено с диференциален прекъсвач.
- Забранено е повдигането на товари, които надвишават номиналния товар.
- Използвайте уреда само по предназначение. Никога не повдигайте хора с въжениа подежник.
- Не дърпайте кабела, за да изключите

щепсела от захранващата мрежа. Пазете кабела от нагряване, масла и от остри ръбове.

- Никога не се опитвайте да повдигате фиксирани или блокирани товари.
- Изключвайте щепсела от захранващата мрежа, когато не използвате въжениа подежник.
- Не допускайте до машината деца и други неоторизирани лица.
- Забранено е да се дърпат товари странично или от едната страна. Избягвайте люлеене на товара.
- Проверете дали куката се движи в същата посока, както е показано на командния превключвател.
- Редовно проверявайте въжениа подежник за повреди. Командният превключвател трябва да бъде в изправно състояние.
- Ремонтните работи и поддръжката трябва да се извършват само от електротехник в оторизирани сервиси. Ремонтните работи трябва да се извършват само от електротехник. В противен случай може да се стигне до наранявания на оператора.
- Избягвайте бързо включване и изключване (стъпков режим).
- Винаги бъдете внимателни при работа с въжениа подежник.
- Не застивайте под повдигнатия товар и не работете под него.
- Не се допуска повдигане на фиксирани или блокирани товари.

3. Описание на уреда и обем на доставката (фигура 1-2)

1. Стягащи скоби
2. Отвор за закачване на куката
3. Барабан
4. Лост за максимална дължина на въжето
5. Лост на автоматичния механизъм за спиране
6. Стоманено въже
7. Тежест
8. Кука

BG

9. Аварийен прекъсвач
10. Команден превключвател
11. Дистанционно управление
12. Захранващ кабел
13. Контролен проводник
14. Двигател
15. Направляваща ролка
16. Допълнителна кука

4. Целесъобразна употреба

Въженият подежник е предназначен за повдигане и спускане на товари в затворени помещения в съответствие с мощността на уреда.

Уредът трябва да се използва само по предназначение. Всяка друга употреба е нецелесъобразна. Отговорността за възникнали в следствие на това щети или наранявания от всякакъв вид се поема от потребителя/оператора, а не от производителя.

Имайте предвид, че нашите уреди не са конструирани за производствена, занаятчийска или промишлена употреба. Няма да уважим гаранцията, ако уредът се използва в производствени, занаятчийски или промишлени предприятия, както и при сходни дейности.

5. Технически данни

Напрежение (V)	230 V ~ 50 Hz
Номинален ток (A)	2,2
Необходима мощност (W)	500
Режим на работа	S3 20 % 10 min
Номинален товар (kg)	125/250
Височина на повдигане (m)	11,5/5,7
Номинална скорост (m/min)	8/4
Диаметър на стоманеното въже (mm)	3,0
Якост на опън на стоманеното въже (N/mm ²)	1870

24

Клас на изолация	B
Клас на защита	IP24
Клас на задвижване	M1
Нетно тегло (kg)	10,5

Режим на работа S3 – 20 % - 10 min: S3 = режим на работа с прекъсвания без влияние върху процеса на пускане. Това означава, че в рамките на 10 мин. максималната продължителност на работа е 20 % (2 мин.).

6. Преди пускане в експлоатация

- Преди включване на уреда проверете дали данните на фирмената табелка отговарят на данните на мрежата.
- Винаги изключвайте захранващия кабел, преди да извършвате настройки на уреда.
- Въженият подежник не е подходящ за пренасяне на горещи товари и/или на товари в разтопено състояние и не е пригоден за използване при ниски температури и в агресивна околна среда.
- Механичната група е M1.
- Продължителността на експлоатация на въженият подежник е около 8000 цикъла (с изключение на износващите се части). При достигане на 8000 цикъла всички механични части трябва да се проверят и да се приведат в изправност.
- Преди да използвате въженият подежник, трябва да прочетете ръководството за експлоатация и да го разберете.
- Проверете дали операторът знае как функционира машината и как трябва да работи с нея.
- Операторът винаги трябва да работи в съответствие с ръководството за експлоатация.
- Въженият подежник не е предвиден за продължителна употреба. Режимът на работа е: режим на работа с

прекъсвания без влияние върху процеса на пускане.

- Номиналната мощност на машината не се влияе от степента на натоварването.

6.1 Разопаковане

След отваряне на опаковката проверете уреда за евентуални щети при транспорта, също и стоманеното въже, куките, лоста за максималната дължина на въжето и лоста на автоматичния механизъм за спирание.

6.2 Монтаж (фигура 5)

Въженият подежник е оборудван с 2 стягащи скоби (1), с които може да се закрепва към тръби с правоъгълно сечение/шарнирни рамена. Размерите на тръбата с правоъгълно сечение/шарнирното рамо трябва да съответстват на размера на стягащите скоби (1) и тя трябва да може да издържи номиналния товар в двоен размер. Препоръчваме Ви да се обърнете към квалифициран техник. Всички винтове трябва да бъдат затегнати правилно. Преди пускане в експлоатация квалифициран техник трябва да провери фундаментното закрепване на тръбата/шарнирното рамо.

6.3 Функция на подежната макара (фигура 6-9)

Въженият подежник е оборудван с направляваща ролка (15) и с допълнителна кука (16). При правилна експлоатация въженият подежник може да повдигне двоен товар. Монтирайте направляващата ролка (15) и допълнителната кука (16), както е показано на фигура 6-8.

Монтираната кука (8) трябва да се закачи в отвора (2) (фигура 9). Товарът се повдига с помощта на две стоманени въжета, като въженият подежник може да повдигне двоен товар.

7. Обслужване

7.1 Пускане в експлоатация

- Преди първото пускане в експлоатация отстранете залепващата лента от барабана (3).
- Стойността на емисиите шум от клас „А” на работното място е по-ниска от 70 dB.
- Захранващо напрежение: 230 V \pm 10 %, 50 Hz \pm 1 %.
- Въженият подежник може да се използва при температура на околната среда от 0 °C до 40 °C при относителна влажност на въздуха под 85%. Надморска височина: до 1000 м.
- При транспортиране и складиране температурата трябва да бъде между -25 °C и 55 °C. Максималната допустима температура не трябва да надвишава 70 °C.
- Операторът трябва да повдига товара от земята с възможно най-ниската скорост. При повдигане на товара въжето трябва да бъде опънато.
- Двигателят (14) на въжения подежник е оборудван с термостатен прекъсвач. По време на работа на въжения подежник двигателят (14) може да изключи. Двигателят ще се включи отново автоматично, след като се охлади.
- Електрическият въжен подежник не е оборудван с ограничител за номинална мощност. Затова не се опитвайте повече да повдигате товара, ако защитата срещу прегряване ограничи работата на машината. В този случай товарът превишава номиналната мощност на въжения подежник.
- Не оставяйте без надзор висящи товари, без да сте взели съответните мерки по безопасност на труда.
- Подсигурете уреда с предпазител 10 A или с диференциален прекъсвач 10 A, за да защитите електрическата верига.
- Не използвайте лостове (4/5) като рутинно спиращо устройство. Те се използват като спиращо устройство само при авария.
- Преди да започнете работа, проверете

дали стоманеното въже (6) е навито правилно около барабана (3) и дали разстоянието между навивките е по-малко от стоманеното въже (фигура 3).

- Проверете дали товарът е закрепен правилно на куката (8) или на допълнителната кука (16) при използване на подемна макара и винаги стойте на разстояние от товара и от стоманеното въже (6).

7.2 Експлоатация (фигура 9-10)

- Проверете дали аварийният прекъсвач (9) е натиснат. Завъртете аварийния прекъсвач по посока на часовниковата стрелка, за да го освободите.
- Натиснете командния превключвател ▲ (10), за да повдигнете товара.
- Натиснете командния превключвател ▼ (10), за да свалите товара.
- Лост на автоматичния механизъм за спиране (5): При достигане на максималната височина на повдигане, тежестта (7) избутва лоста (5) нагоре. С това се задейства краен прекъсвач и товарът не може да се повдига по-нагоре.
- Лост за максимална дължина на въжето (4): Когато товарът е достигнал възможно най-ниското положение, се задейства краен прекъсвач, който не позволява товарът да се спуска по-надолу. Крайният прекъсвач може да предотврати работа на въжения подемник в неправилна посока (Куката се движи в противоположна посока на посоката, указана на командния превключвател).
- Когато се задейства аварийният прекъсвач (9), въженият подемник спира.
- При авария задействайте веднага аварийния прекъсвач (9), за да спрете подемника. Управлението на въжения подемник е невъзможно, когато е задействан аварийният прекъсвач.

8. Почистване, поддръжка и поръчване на резервни части

Изключвайте щепсела от захранващата мрежа, преди да извършвате работи по поддръжката.

8.1 Почистване

- Почиствайте редовно предпазителите, вентилационните прорези и корпуса на двигателя от прах и от замърсявания. Избърсвайте уреда с чиста кърпа или го почиствайте с въздух под ниско налягане.
- Почиствайте уреда веднага след всяка употреба.
- Почиствайте уреда периодично с влажна кърпа и малко мек сапун. Не използвайте почистващи препарати или разтворители, тъй като те могат да повредят пластмасовите части на уреда. Внимавайте вътре в уреда да не попада вода.

8.2 Поддръжка

Внимание! Винаги проверявайте дали машината не е включена в електрическата мрежа, когато извършвате работи по поддръжката.

- По-нататък в текста имайте предвид следното: Един цикъл включва едно издигане и едно спускане на товара. Периодичният преглед се извършва след 100 цикъла.
- Проверявайте периодично дали крайният прекъсвач на въжения подемник е в изправност (проверява се без товар). Проверката се извършва по следния начин: Когато въжето достигне максималната височина на повдигане, се задейства лостът на автоматичния механизъм за спиране (5). Двигателят (14) трябва да спре. Когато стоманеното въже (6) е развито докрай, се задейства лостът за максимална дължина на въжето (4). Двигателят (14) трябва да спре.
- Проверявайте периодично захранващия

кабел (12) и контролния проводник (13).

- Стоманеното въже (6) и направляващата ролка (15) трябва да се смазват на всеки 200 цикъла.
- На всеки 30 цикъла трябва да проверявате дали цялото стоманено въже (6) е в изправно състояние, както е показано на фигура 4. Ако въжето е повредено, то трябва да бъде заменено със стоманено въже, съответстващо на техническите данни.
- На всеки 1000 цикъла проверявайте дали винтовете на стягащите скоби (1) и на направляващата ролка (15) са добре затегнати.
- На всеки 1000 цикъла проверявайте дали куките (8/16) и направляващата ролка (15) са в изправно състояние.
- Преди всяка употреба на въжения подежник проверявайте дали аварийният прекъсвач (9) и командният превключвател (10) са в изправно състояние.
- На всеки 1000 цикъла проверявайте спирачната система. Ако двигателят (14) издава нетипични шумове или ако не може да повдигне номиналния товар, е възможно да се наложи ремонт на спирачната система:
 - Сменете повредените или износените части и запазете принадлежащите към тях документи за поддръжката.
 - За извънпланови ремонтни работи трябва да се обръщате към оторизиран сервис.

8.3 Поръчване на резервни части

Когато поръчвате резервни части, трябва да посочите следните данни:

- вид на уреда
 - артикулен номер на уреда
 - идентификационен номер на уреда.
- Актуални цени и информация ще намерите на www.isc-gmbh.info

9. Изхвърляне и преработване

Уредът е опакован с цел предотвратяване на повреди при транспортирането. Самата опаковка е суровина и може да се преработи или да се използва като суровина. Уредът и принадлежностите му се състоят от различни материали, например метал и пластмаса. Изхвърлете повредените части на специално предназначения за целта места. Допълнителна информация можете да получите в специализираните магазини или в общината!



Само за страни-членки на ЕС

Не изхвърляйте електроуредите заедно с домакинските отпадъци!

Съгласно европейската Директива 2002/96/ЕО относно отпадъци от електрическо и електронно оборудване и приложението ѝ в националното право употребяваните електроуреди трябва да се събират разделно и да се предоставят за природосъобразна преработка.

Алтернатива за рециклиране наред с изискването за връщане на уредите: В случай че собственикът не желае повече да използва електроуреда, вместо да върне уреда той е длъжен като алтернативен вариант да съдейства при целесъобразното му преработване. За целта старият уред може да бъде предоставен в приемен пункт, където уредът ще бъде унищожен по смисъла на националните закони за кръговрата в икономиката и за отпадъците. Това не се отнася за принадлежностите и за помощните елементи на старите уреди без електрически компоненти.

BG**10. Декларация за съответствие****Einhell Germany AG · Wiesenweg 22 · D-94405 Landau/Isar****Konformitätserklärung**

- | | |
|--|--|
| <p>Ⓔ erkl rt folgende Konformit t gem B EU-Richtlinie und Normen f r Artikel</p> <p>Ⓕ explains the following conformity according to EU directives and norms for the following product</p> <p>Ⓖ d clare la conformit  suivante selon la directive CE et les normes concernant l'article</p> <p>Ⓘ dichiara la seguente conformit  secondo la direttiva UE e le norme per l'articolo</p> <p>Ⓜ verklaart de volgende overeenstemming conform EU richtlijn en normen voor het product</p> <p>Ⓔ declara la siguiente conformidad a tenor de la directiva y normas de la UE para el art culo</p> <p>Ⓙ declara a seguinte conformidade, de acordo com a directiva CE e normas para o artigo</p> <p>Ⓝ attesterer f lgende  verensst mmelse i medf r af EU-direktiv samt standarder for artikkel</p> <p>Ⓔ f rklarar f ljande  verensst mmelse enl. EU-direktiv och standarder f r artikeln</p> <p>Ⓢ vakuuttaa, ett  tuote t ytt t  EU-direktiivin ja standardien vaatimukset</p> <p>Ⓔ t endab toote vastavust EL direktiivile ja standarditele</p> <p>Ⓕ vyd v  n sleduj c  prohl sen  o shod  podle sm rnice EU a norem pro v robek</p> <p>Ⓢ potvrjuje slede o skladnost s smernico EU in standardi za izdelek</p> <p>Ⓕ vyd v va nasleduj ce prehl senie o zhode podl'a smernice E  a noriem pre v robok</p> <p>Ⓕ a cikkekhez az EU-ir nyvonal  s Norm k szerint a k vetkez o konformit st jelenti ki</p> | <p>Ⓔ deklaruje zgodnos c wymienionego poniżej artykułu z nast puj cymi normami na podstawie dyrektywy WE.</p> <p>Ⓕ декларира съответното съответствие съгласно Директива на ЕС и норми за артикул</p> <p>Ⓕ paskaidro š du atbilst bu ES direkt vai un standartiem</p> <p>Ⓙ apib dina šj atitikim  EU reikalavimams ir prek s normoms</p> <p>Ⓕ declar  urm toarea conformitate conform directivei UE și normelor pentru articolul</p> <p>Ⓕ δηλ νει την ακ λουθη συμμ ρφωση σύμφωνα με την Οδηγία ΕΚ και τα πρ τυπα για το πρ ϊον</p> <p>Ⓢ potvrđuje sljedeću usklađenost prema smjernicama EU i normama za artiki</p> <p>Ⓢ potvrđuje sljedeću usklađenost prema smjernicama EU i normama za artiki</p> <p>Ⓢ potvrđuje sledeću usklađenost prema smernicama E  i normama za artikla</p> <p>Ⓕ следующим удостоверяется, что следующие продукты соответствуют директивам и нормам ЕС</p> <p>Ⓕ проголошує про зазначену нижче в дпов дність виробу директивам та стандартам Е  на вир б</p> <p>Ⓢ ja izjavuva slednata soobrznost согласно E -dирективата и нормите за артикли</p> <p>Ⓙ  r n  ile ilgili AB direktifleri ve normları geređince aŗađıda a ıklanan uygunluđu belirtir</p> <p>Ⓕ erkl rer f lgende samsvar i henhold til EU-direktivet og standarder for artikkel</p> <p>Ⓕ L ysir uppfyllingu EU-reglna og annarra sta la v ru</p> |
|--|--|

Seilhebezug PSZ 250 A2 (Parkside)

- | | |
|---|--|
| <input type="checkbox"/> 87/404/EC_2009/105/EC | <input checked="" type="checkbox"/> 2006/42/EC |
| <input type="checkbox"/> 2005/32/EC_2009/125/EC | <input type="checkbox"/> Annex IV
Notified Body:
Notified Body No.:
Reg. No.: |
| <input type="checkbox"/> 2006/95/EC | |
| <input type="checkbox"/> 2006/28/EC | |
| <input checked="" type="checkbox"/> 2004/108/EC | <input type="checkbox"/> 2000/14/EC_2005/88/EC |
| <input type="checkbox"/> 2004/22/EC | <input type="checkbox"/> Annex V |
| <input type="checkbox"/> 1999/5/EC | <input type="checkbox"/> Annex VI
Noise: measured L_{WA} = dB (A); guaranteed L_{WA} = dB (A)
P = KW; L/O = cm
Notified Body: |
| <input type="checkbox"/> 97/23/EC | |
| <input type="checkbox"/> 90/396/EC_2009/142/EC | <input type="checkbox"/> 2004/26/EC
Emission No.: |
| <input type="checkbox"/> 89/686/EC_96/58/EC | |

**Standard references: EN 14492-2; EN 60204-32;
EN 55014-1; EN 55014-2; EN 61000-3-2; EN 61000-3-3**

Landau/Isar, den 18.04.2011


 Weichselgartner/General Manager


 Wentao/Product-Management

First CE: 09
Art.-No.: 22.551.25 **I.-No.:** 11021
Subject to change without notice

Archive-File/Record: NAPR003513
Documents registrar: Robert Mayn
 Wiesenweg 22, D-94405 Landau/Isar

11. ДОКУМЕНТ ЗА ГАРАНЦИЯ

Уважаеми клиенти,

нашите продукти подлежат на строг качествен контрол. В случай, че въпреки това в даден момент този уред не работи безупречно, изказваме съжалението си и Ви молим, да се обърнете към нашата сервизна служба на посочения на тази гаранционна карта адрес. С удоволствие сме на Ваше разположение и по телефона на посочения телефонен номер в сервиза. За предявяването на претенциите по отношение на гаранцията е в сила следното:

1. Тези гаранционни условия уреждат допълнителни гаранционни услуги. Вашите законни права при недостатъци на престацията не биват засегнати от тази гаранция. Нашата гаранционна услуга е безплатна за Вас.
2. Гаранционната услуга се разпростира изключително върху дефекти, които се дължат на дефекти в суровината или производствени дефекти и се ограничава до отстраняване на тези дефекти, респ. до подмяна на уреда. Моля, обърнете внимание на това, че нашите уреди съгласно предназначението не са конструирани за промишлена, занаятчийска или индустриална употреба. Гаранционен договор при това не се сключва, когато уредът се използва в промишлени, занаятчийски или индустриални предприятия, както и при равностойни на тях дейности. От нашата гаранция се изключват също така допълнителни услуги за транспортни щети, щети поради не съблюдаване на упътването за монтажа или въз основа на не прецизна инсталация, не съблюдаване на упътването за употреба (като напр. поради свързване към неподходящо електрическо напрежение или вид ток), груби или неподходящи за целта приложения (като напр. претоварване на уреда или използване на не позволени инструменти за употреба или оборудване), не спазване на разпоредбите за поддръжка и безопасност, навлизане на чужди тела в уреда (като напр. пясък, камъни или прах), употреба на сила или чужди намеси (като напр. щети, получени чрез падане) както и поради обичайното изхабяване при употребата. Това важи по-специално за акумулатори, за които въпреки това осигуряваме гаранционен срок от 12 месеца.

Правото за гаранция изтича, когато по уреда вече са били извършени намеси.

3. Гаранционният период е 3 години и започва от датата на покупка на уреда. Гаранционните права трябва да се предявят преди изтичане на гаранционния период в рамките на две седмици, след като сте открили дефекта. Предявяването на гаранционните права след изтичане на гаранционния период е изключено. Поправката или подмяната на уреда не води до удължаване на гаранционния период, както и с тази услуга за уреда или за евентуални монтирани резервни части не започва нов гаранционен период. Това важи също и при използване на сервизни услуги на място.
4. За предявяването на Вашето гаранционно право, моля, изпратете дефектния уред на посочения по-долу адрес без заплащане на пощенска такса. Приложете квитанцията в оригинал или друг удостоверяващ покупката документ с дата. Моля, затова пазете добре касовия бон като доказателство! Моля, опишете ни причината за рекламацията възможно най-точно. Ако дефектът на уреда е включен в нашата гаранционна услуга, веднага ще получите обратно поправен или нов уред.

Разбира се, в замяна на възстановяването на разходите ние с удоволствие отстраняваме също и дефекти по уреда, които не са или вече не са включени в обхвата на гаранцията. За целта, моля, изпратете уреда на нашия адрес в сервиза.

Einhell Bulgaria LTD
Blvd. "Tzar Osvoboditel" № 331.
BG-9000 Varna
Tel. 00359 52 739 038

GR/
CY**Περιεχόμενα****Σελίδα**

1. Εισαγωγή	31
2. Υποδείξεις ασφαλείας	31
3. Περιγραφή της συσκευής και συμπαραδιδόμενα	31-32
4. Σωστή χρήση.....	32
5. Ενδεδειγμένη χρήση.....	32
6. Πριν από την πρώτη χρήση	32-33
7. Χειρισμός.....	33-34
8. Καθαρισμός, συντήρησης, παραγγελία ανταλλακτικών	34-35
9. Διάθεση στα απορρίμματα και επαναχρησιμοποίηση	35
10. Δήλωση Συμμόρφωσης	36
11. Εγγύηση.....	37

Η ανατύπωση ή άλλη αναπαραγωγή τεκμηριώσεων και συνοδευτικών φυλλαδίων των προϊόντων της εταιρείας, ακόμη και σε αποσπάσματα, επιτρέπεται μόνο μετά από ρητή έγκριση της εταιρείας ISC GmbH.

30

Ο κατασκευαστής διατηρεί το δικαίωμα τεχνικών αλλαγών

1. Εισαγωγή

⚠ Προσοχή!

Κατά τη χρήση των συσκευών πρέπει να λαμβάνονται ορισμένα μέτρα ασφαλείας προς αποφυγή τραυματισμών και ζημιών. Για το λόγο αυτό παρακαλούμε να διαβάσετε προσεκτικά αυτή την Οδηγία χρήσης. Φυλάξτε την καλά για να έχετε τις πληροφορίες στη διάθεσή σας ανά πάσα στιγμή. Εάν δώσατε τη συσκευή σε άλλα άτομα, παρακαλούμε να τους παραδώσετε και αυτή την Οδηγία χρήσης. Δεν αναλαμβάνουμε καμία ευθύνη για ατυχήματα που οφείλονται στη μη τήρηση αυτής της Οδηγίας και των υποδείξεων ασφαλείας.

2. Υποδείξεις ασφαλείας

⚠ ΠΡΟΣΟΧΗ!

Διαβάστε όλες τις Υποδείξεις ασφαλείας και τις Οδηγίες.

Εάν δεν ακολουθήσετε τις Υποδείξεις ασφαλείας και τις Οδηγίες δεν αποκλείονται ηλεκτροπληξία, πυρκαγιά και/ή σοβαροί τραυματισμοί.

Φυλάξτε προσεκτικά όλες τις Υποδείξεις ασφαλείας και τις Οδηγίες για το μέλλον.

- Να ελέγχετε πάντα εάν η τάση του δικτύου αντιστοιχεί στην τάση που αναγράφεται στην ετικέτα. Σε περίπτωση ακατάλληλης τάσης δικτύου, δεν αποκλείεται η όχι σωστή λειτουργία της μηχανής και η πρόκληση σωματικών βλαβών.
- Η παροχή ρεύματος να διαθέτει γείωση και να ασφαρίζεται με διακόπτη διαρροής έντασης.
- Απαγορεύεται η ανύψωση φορτίων που υπερρβαίνουν το ονομαστικό φορτίο.
- Να χρησιμοποιείτε τη συσκευή μόνο για το σκοπό για τον οποίο προορίζεται. Ποτέ μην μεταφέρετε άτομα με το παλάγκο.
- Πην τραβάτε απ'οτο καλώδιο για να βγ'αλετε το βύσμα από την πρ'ζια. Να

προστατεύετε το καλώδιο από ψηλές θερμοκρασίες, λάδι και αιχμηρές άκρες.

- Ποτέ μην προσπαθείτε να ανυψώσετε στερεά ή μπλοκαρισμένα φορτία.
- Να βγάζετε το βύσμα από την πρίζα, όταν χρησιμοποιείτε το παλάγκο.
- Να κρατάτε παιδιά και άλλα μη εξιουσιοδοτημένα άτομα μακριά από τη μηχανή.
- Απαγορεύεται να τραβάτε φορτία από το πλάϊ ή προς το πλάϊ. Να αποφεύγετε την ταλάντωση των φορτίων.
- Εξασφαλίστε την κίνηση του γάντζου προς την ίδια κατεύθυνση όπως εμφανίζεται στον διακόπτη χειρισμού.
- Να ελέγχετε το παλάγκο τακτικά για ενδεχόμενες βλάβες. Ο διακόπτης πρέπει να βρίσκεται σε καλή κατάσταση.
- Οι επισκευές και εργασίες συντήρησης να εκτελούνται πάντα μόνο σε συμβεβλημένα συνεργεία από ειδικευμένους ηλεκτρολόγους. Οι επισκευές επιτρέπεται να εκτελούνται μόνο από ειδικευμένους ηλεκτρολόγους, διαφορετικά δεν αποκλείονται τραυματισμοί του χειριστή.
- Να αποφεύγετε απότομη ενεργοποίηση και απενεργοποίηση (βηματική λειτουργία).
- Κατά τον χειρισμό του παλάγκου να είστε πάντα ιδιαίτερα προσεκτικοί.
- Μη στέκεστε και μην εργάζεστε κάτω από ανυψωμένο φορτίο.
- Δεν επιτρέπεται η ανύψωση σφηνωμένων ή μπλοκαρισμένων φορτίων.

3. Περιγραφή της συσκευής και συμπαραδιδόμενα (εικ. 1-2)

1. Βραχίονας στερέωσης
2. Τρύπα στερέωσης για το γάντζο
3. Κύλινδρος
4. Μοχλός για μέγιστο μήκος σχοινιού
5. Μοχλός του αυτόματου μηχανισμού στοπ
6. Ατσάλινο σχοινί
7. Βάρος απενεργοποίησης
8. Γάντζος
9. Διακόπτης ενεργοποίησης / απενεργοποίησης έκτακτης ανάγκης

GR/
CY

10. Διακόπτης πίεσης
11. Τηλεχειρισμός
12. Καλώδιο σύνδεσης με το δίκτυο
13. Αγωγός ελέγχου
14. Κινητήρας
15. Τροχός ανατροπής
16. Πρόσθετος γάντζος

4. Σωστή χρήση

Το παλάγκο προορίζεται για την ανύψωση και το χαμηλώνμα φορτίων σε κλειστούς χ'ρους ανάλογα με την ισχύ της συσκευής

Η μηχανή επιτρέπεται να χρησιμοποιηθεί μόνο για τον σκοπό για τον οποίο προορίζεται. Κάθε πέραν τούτου χρήση δεν ανταποκρίνεται στο σκοπό για τον οποίο προορίζεται. Για βλάβες που οφείλονται σε παρόμοια χρήση ή για τραυματισμούς παντός είδους ευθύνεται ο χρήστης/χειριστής και όχι ο κατασκευαστής.

Παρακαλούμε να προσέξετε πως οι συσκευές μας δεν προορίζονται και δεν έχουν κατασκευαστεί για επαγγελματική, βιοτεχνική ή βιομηχανική χρήση. Δεν αναλαμβάνουμε εγγύηση σε περίπτωση κατά την οποία η συσκευή χρησιμοποιήθηκε σε συνεργεία, βιοτεχνίες ή στη βιομηχανία ή σε εργασίες παρόμοιες με αυτές.

5. Ενδεδειγμένη χρήση

Τάση (V)	230 V ~ 50 Hz
Ονομαστικό ρεύμα (A)	2,2
Απορρόφηση ισχύος (W)	500
Είδος λειτουργίας	S3 20%:10 min
Ονομαστικό φορτίο (kg)	125 / 250
Ύψος ανύψωσης (m)	11,5 / 5,7
Ονομαστική ταχύτητα (m/min)	8 / 4
Διάμετρος του ατσάλινου σχοινιού (mm)	3,0
Αντοχή σε εφελκυσμό του ατσάλινου σχοινιού (N/mm ²)	1870
Κλάση μόνωσης	B
Κλάση προστασίας	IP24
Τάση προωστικού κινητήρα	M1
Καθαρό βάρος (kg)	10,5

Είδος λειτουργίας S3 - 20%-10min: S3 = λειτουργία διακοπής χωρίς επίδραση της διαδικασίας εκκίνησης Αυτό σημαίνει πως σε διάστημα 10 λεπτών η μέγιστη διάρκεια λειτουργίας ανέρχεται σε 20% (2 λεπτά).

6. Πριν από την πρώτη χρήση

- Πριν τη σύνδεση σιγουρευτείτε πως τα στοιχεία στην ετικέτα του συμφωνούν με τα στοιχεία του δικτύου.
- Πριν κάνετε ρυθμίσεις στη συσκευή να βγάζετε πάντα το βύσμα από την πρίζα.
- Το παλάγκο δεν είναι κατάλληλο για τη μεταφορά θερμών και/ή τηγμένων μαζών, επίσης δεν είναι κατάλληλο για τη χρήση σε χαμηλές θερμοκρασίες και σε περιβάλλον ιδιαίτερα εκτεθειμένο στις καιρικές συνθήκες.
- Μηχανική ομάδα είναι M1.
- Η διάρκεια χρήσης του παλάγκου είναι περ. 8000 κύκλοι (εξαιρουμένων των αναλώσιμων). Όταν έχουν εκτελεσθεί 8000 κύκλοι, πρέπει να ελεγχθούν και να επιθεωρηθούν όλα τα μηχανικά τμήματα.
- Να διαβάσετε και να καταλάβετε τις

Οδηγίες χρήσης πριν τη χρήση του παλάγκου.

- Εξασφαλίστε πως ο χειριστής γνωρίζει πώς λειτουργεί η μηχανή και πώς πρέπει να χειριστεί.
- Ο χρήστης να ακολουθεί τις οδηγίες στις Οδηγίες χρήσης.
- Το παλάγκο δεν προορίζεται για συνεχή χρήση. Το είδος λειτουργίας είναι: λειτουργία διακοπής χωρίς επίδραση της διαδικασίας εκκίνησης
- Η ονομαστική ισχύς της μηχανής δεν διαφέρει ανάλογα με τη θέση του φορτίου.

6.1 Ξεπακετάρισμα

Αφού ανοίξετε τη συσκευασία, ελέγχετε τη συσκευή, το συρματόσχοινο, τους γάντζους, τον μοχλό για μέγιστο μήκος του σχοινού και τον μοχλό του αυτόματου μηχανισμού stop για ενδεχόμενες βλάβες κατά την μεταφορά.

6.2 Συναρμολόγηση (εικ. 5)

Το παλάγκο ανύψωσης είναι εξοπλισμένο με 2 βραχίονες στερέωσης (1), με τους οποίους πρέπει να στερεωθεί σε σωλήνα ορθογώνιας διατομής / περιστρεφόμενο βραχίονα. Οι διαστάσεις του ορθογώνιου σωλήνα / περιστρεφόμενου βραχίονα πρέπει να ταιριάζουν στο μέγεθος των βραχιόνων στερέωσης (1) και να έχει την ικανότητα να φέρει το διπλάσιο του ονομαστικού φορτίου. Σας συνιστούμε να επικοινωνήσετε με ειδικευμένο τεχνικό. Όλες οι βίδες πρέπει να είναι καλά σφιγμένες. Πριν τη θέση σε λειτουργία πρέπει να ελέγξει ένας ειδικευμένος τεχνικός τη στερέωση του ορθογώνιου σωλήνα / περιστρεφόμενου βραχίονα.

6.3 Λειτουργία του παλάγκου (εικ. 6-9)

Το παλάγκο διαθέτει ένα τροχό ανατροπής (15) και ένα πρόσθετο γάντζο (16). Με σωστή χρήση το παλάγκο μπορεί να φέρει το διπλάσιο φορτίο.

Στερεώστε τον τροχό ανατροπής (15) και τον πρόσθετο γάντζο (16) όπως παριστάνεται στην εικόνα 6-8. Ο σταθερά τοποθετημένος γάντζος (8) πρέπει να κρεμαστεί στην τρύπα στερέωσης (2) (απεικ. 9).

Το φορτίο ανυψώνεται με τη βοήθεια δύο ατσάλινων σχοινιών, έτσι το παλάγκο μπορεί να σηκώσει το διπλό φορτίο.

7. Χειρισμός

7.1 Θέση σε λειτουργία

- Πριν την πρώτη χρήση αφαιρέστε την ταινία από τον κύλινδρο (3).
- Η τιμή της εκπομπής θορύβου A στη θέση του χειριστή είναι κάτω των 70dB.
- Τάση τροφοδοσίας: 230V ± 10%, 50Hz ± 1%.
- Το παλάγκο να χρησιμοποιείται σε θερμοκρασίες περιβάλλοντος μεταξύ 0°C και 40°C και σχετική υγρασία αέρα κάτω από 85%. Ύψος πάνω από το επίπεδο της θάλασσας: Μέγ. 1000 m.
- Για μεταφορά και αποθήκευση η θερμοκρασία να κυμαίνεται μεταξύ -25 °C και 55 °C. Η μέγιστη επιτρεπτή θερμοκρασία δεν επιτρέπεται να ανέρχεται πάνω από 70°C.
- Ο χρήστης να ανυψώνει το φορτίο από το δάπεδο με τη χαμηλότερη δυνατή ταχύτητα. Το σχοινί να είναι τεντωμένο, όταν ανυψώνεται το φορτίο.
- Ο κινητήρας (14) του παλάγκου είναι εξοπλισμένος με διακόπτη θερμοστάτη. Κατά τη διάρκεια της λειτουργίας του παλάγκου μπορεί να διακοπεί η λειτουργία του κινητήρα (14), ο οποίος ξαναλειτουργεί αυτόματα όταν κρυώσει.
- Το ηλεκτρικό παλάγκο δεν διαθέτει σύστημα περιορισμού της ονομαστικής ισχύος. Γιαυτό παρακαλούμε να μη προσπαθήτε να ανασηκώσετε το φορτίο, όταν το σύστημα προστασίας από υπερθέρμανσης περιορίζει τη λειτουργία. Στην περίπτωση αυτή το φορτίο υπερβαίνει την ονομαστική ισχύ του παλάγκου.
- Μην αφήνετε αιωρούμενα φορτία χωρίς επίβλεψη και χωρίς να έχετε λάβει τα απαιτούμενα μέτρα ασφαλείας.
- Ασφαλίστε τη συσκευή με ασφάλεια 10A ή με διακόπτη διαρροής έντασης 10A για να προστατέψετε το κύκλωμα.

GR/
CY

- Μη χρησιμοποιείτε τους μοχλούς (4/5) σαν σύστημα στοπ ρουτίνας. Οι μοχλοί αυτοί αποτελούν σύστημα διακοπής της λειτουργίας μόνο ια περίπτωση ανάγκης.
- Πριν αρχίσετε, σιγουρευτείτε πως το ατσάλινο σχοινί (6) έχει τυλιχτεί σωστά γύρω από τον κύλινδρο (3) και πως η απόσταση μεταξύ των περιελίξεων είναι μικρότερη από το ατσάλινο σχοινί (εικ. 3)
- Σιγουρευτείτε πως το φορτίο κρέμετε σωστά στο γάντζο (8) ή σε περίπτωση λειτουργίας σύσπαστου, πως το φορτίο είναι καλά ασφαλισμένο στον πρόσθετο γάντζο (16). Να τηρε΄τε πάντα απ΄σοταση προς το φορτίο και το ατσάλινο σχοινί (6).

7.2 Λειτουργία (εικ. 9-10)

- Ελέγξτε εάν είναι πιεσμένος ο διακόπτης έκτακτης ανάγκης (9). Στριψτε τον διακόπτη έκτακτης ανάγκης δεξιόστροφα για να τον απασφαλίσετε.
- Πιέστε τον διακόπτη πίεσης ▲ (10) για την ανύψωση του φορτίου.
- Πιέστε το διακόπτη πίεσης ▼ (10) για το χαμήλωμα του φορτίου.
- Μοχλός του αυτόματου μηχανισμού στοπ (5): Όταν επιτευχθεί το μέγιστο ύψος, το βάρος απενεργοποίησης (7) πιέζει το μοχλό (5) προς τα επάνω. έτσι ενεργοποιείται ο θερματικός διακόπτης και το φορτίο δεν μπορεί πλέον να ανασηκωθεί.
- Μοχλός για μέγιστο μήκος σχοινιού (4): Όταν το φορτίο φτάσει τη χαμηλότερη θέση, ενεργοποιείται ένας θερματικός διακόπτης, που δεν επιτρέπει το χαμήλωμα του φορτίου. Αυτός ο θερματικός διακόπτης θα εμπόδιζε και μία λειτουργία του παλάγκου προς τη λάθος κατεύθυνση (ο γάντζος κινείται αντίστροφα προς την κατεύθυνση που φαίνονται στο διακόπτη χειρισμού).
- Εάν ενεργοποιηθεί ο διακόπτης έκτακτης ανάγκης (9), διακόπτεται η κίνηση του παλάγκου.
- Σε περίπτωση κινδύνου, πιέστε αμέσως τον διακόπτη έκτακτης ανάγκης (9), για να διακόψετε την κίνηση του παλάγκου. Ο χειρισμός του παλάγκου δεν είναι

δυνατός, όταν έχει γίνει χειρισμός το διακόπτη έκτακτης ανάγκης.

8. Καθαρισμός, συντήρησης, παραγγελία ανταλλακτικών

Πριν από όλες τις εργασίες καθαρισμού να βγάξετε το φιν από τη πρίζα.

8.1 Καθαρισμός

- Να τηρείτε τα συστήματα ασφαλείας, τις σχισμές αερισμού και το περίβλημα του κινητήρα όσο πιο καθαρά από σκόνη γίνεται. Σκουπίστε τη συσκευή με καθαρό πανί ή φυσήξτε τη με πεπιεσμένο αέρα σε χαμηλή πίεση.
- Να καθαρίζετε τη συσκευή αμέσως μετά από κάθε χρήση.
- Να καθαρίζετε τη συσκευή μτακτικά με ένα υγρό πανί και λίγο μαλακό σαπούνι. Μη χρησιμοποιείτε καθαριστικά ή διαλύτες, διότι έτσι δεν αποκλείεται η διάβρωση της συσκευής. Να προσέχετε να μην εισέλθει νερό στο εσωτερικό της συσκευής.

8.2 Συντήρηση

Προσοχή! Να σιγουρευέστε πάντα πως η μηχανή δεν είναι συνδεδεμένη με το δίκτυο όταν περιποιήστε τη μηχανή.

- Προσοχή: Ένας κύκλος αντιστοιχεί στην κίνηση προς τα επάνω και προς τα κάτω ενός φορτίου. Έλεγχος κατά διαστήματα σημαίνει έλεγχος μετά από 100 κύκλους.
- Να ελέγχετε κατά διαστήματα, πως λειτουργούν άψογα οι θερματικοί διακόπτες του παλάγκου. (έλεγχος χωρίς φορτίο) Ο έλεγχος γίνεται ως εξής: Όταν το σχοινί φτάσει το μέγιστο ύψος, χειρίζεστε το μοχλό του αυτόματου μηχανισμού διακοπής λειτουργίας (5). Τώρα πρέπει να διακοπεί η λειτουργία του κινητήρα (14). Όταν ξετυλιχτεί το ατσάλινο σχοινί (6) μέχρι το τέρμα, γίνεται χειρισμός του μοχλού για μέγιστο μήκος σχοινιού (4). Τώρα πρέπει να διακοπεί η λειτουργία του κινητήρα (14).

- Παρακαλούμε να ελέγχετε κατά διαστήματα το καλώδιο (12) και τον αγωγό ελέγχου (13).
- Κάθε 200 κύκλους πρέπει να λιπαίνονται το ατσάλινο σχοινί (6) και ο τροχός ανατροπής (15).
- Κάθε 30 κύκλους πρέπει σύμφωνα με την εικόνα 4 να ελέγχετε, εάν είναι σε καλή κατάσταση όλο το ατσάλινο σχοινί (6). Εάν είναι ελαττωματικό, πρέπει να αντικατασταθεί από άλλο ατσάλινο σχοινί σύμφωνα με τα τεχνικά χαρακτηριστικά.
- Κάθε 1000 κύκλους να ελέγχετε εάν οι βίδες των βραχιόνων στερέωσης (1) και ο τροχός ανατροπής (15) είναι καλά σφικτές/οί.
- Κάθε 1000 κύκλους να ελέγχετε, εάν οι γάντζοι (8/16) και ο τροχός ανατροπής (15) είναι σε καλή κατάσταση.
- Να ελέγχετε πριν από κάθε χρήση του παλάγκου, εάν ο διακόπτης έκτακτης ανάγκης (9) και ο διακόπτης πίεσης (10) είναι σε άψογη κατάσταση.
- Κάθε 1000 κύκλους να ελέγχετε το σύστημα πέδησης. Όταν ο κινητήρας (14) κάνει ασυνήθιστους θόρυβους ή δεν είναι σε θέση να ανασηκώσει το ονομαστικό φορτίο, μπορεί να χρειάζεται έλεγχο το σύστημα πέδησης.
 - Να αντικαθίστανται τα ελαττωματικά ή φθαρμένα τμήματα και να φυλάγετε την τεκμηρίωση των εργασιών συντήρησης.
 - Για έκτακτες εργασίες επίσκευής, να επικοινωνείτε με συμβεβλημένο κέντρο σέρβις.

8.3 Παραγγελία ανταλλακτικών

Όταν παραγγέλλετε ανταλλακτικά να μη ξεχάσετε να αναφέρετε τα εξής στοιχεία:

- Τύπος συσκευής
- Αριθμός είδους της συσκευής
- Χαρακτηριστικός αριθμός (Ident Nr.) της συσκευής

Για ισχύουσες τιμές και πληροφορίες
www.isc-gmbh.info

9. Διάθεση στα απορρίμματα και επαναχρησιμοποίηση

Προς αποφυγή ζημιών κατά τη μεταφορά η συσκευή βρίσκεται σε μία συσκευασία. Η συσκευασία αυτή είναι πρώτη ύλη, μπορεί δηλαδή να επαναμεταχειριστεί ή να ανακυκλωθεί.

Ο συμπιεστής και τα εξαρτήματά του αποτελούνται από διαφορετικά υλικά, όπως π.χ. από μέταλλα και πλαστικά. Παρακαλούμε να διαθέσετε τα ελαττωματικά εξαρτήματα στα ειδικά και προβληματικά απορρίμματα. Εάν έχετε απορίες, ρωτήστε στο ειδικό σας κατάστημα ή στη διοίκηση του Δήμου σας.



Μόνο για κράτη μέλη της Ε.Ε.

Μην πετάτε τα ηλεκτρικά εργαλεία στα οικιακά απορρίμματα!

Σύμφωνα με την ευρωπαϊκή Οδηγία 2002/96/Εκγια τις μεταχειρισμένες ηλεκτρικές και ηλεκτρονικές συσκευές και την μετατροπή τους σε εθνικό δίκαιο πρέπει να συλλέγονται χωριστά οι παλιές ηλεκτρικές συσκευές και να προσάγονται σε φιλική για το περιβάλλον μεταχείριση αποβλήτων.

Εναλλακτική λύση ανακύκλωσης:

Ο ιδιοκτήτης της ηλεκτρικής συσκευής υποχρεούται εάν δεν επιστρέψει τη συσκευή να φροντίσει για σωστή απόσυρσή της όταν δεν την χρειάζεται πλέον. Η παλιά συσκευή μπορεί να παραδοθεί σε υπηρεσίες συγκέντρωσης παλιών συσκευών προ απόσυρση, όπου εκτελείται η απόσυρση σύμφωνα με τους εθνικούς νόμους ανακύκλωσης και αποβλήτων. Δεν συμπεριλαμβάνονται τα μη ηλεκτρικά εξαρτήματα και αξεσουάρ των συσκευών.

GR/
CY

10. Δήλωση Συμμόρφωσης

Einhell Germany AG · Wiesenweg 22 · D-94405 Landau/Isar

**Konformitätserklärung**

- erklårt folgende Konformität gemäß EU-Richtlinie und Normen für Artikel
 explains the following conformity according to EU directives and norms for the following product
 déclare la conformité suivante selon la directive CE et les normes concernant l'article
 dichiara la seguente conformità secondo la direttiva UE e le norme per l'articolo
 verklaart de volgende overeenstemming conform EU richtlijn en normen voor het product
 declara la siguiente conformidad a tenor de la directiva y normas de la UE para el artículo
 declara a seguinte conformidade, de acordo com a directiva CE e normas para o artigo
 attesterer følgende overensstemmelse i medfør af EU-direktiv samt standarder for artiklen
 förklarar följande överensstämmelse enl. EU-direktiv och standarder för artikeln
 vakuuttaa, että tuote täyttää EU-direktiivin ja standardien vaatimukset
 tëendab toote vastavust EL direktiivile ja standarditele
 vydává následující prohlášení o shodě podle směrnice EU a norem pro výrobek
 potrjuje sledečo skladnost s smernico EU in standardi za izdelke
 vydáva nasledujúce prehlásenie o zhode podľa smernice EÚ a noriem pre výrobok
 a cikkekhez az EU-irányvonal és Normák szerint a következő konformitást jelenti ki
 deklaruje zgodność wymienionego poniżej artykułu z następującymi normami na podstawie dyrektywy WE.
 декларира съответното съответствие съгласно Директива на ЕС и норми за артикул
 paskaidro šādu atbilstību ES direktīvai un standartiem
 apibūdina šj atitikamā EU reikalavimams ir prekės normoms
 declară următoarea conformitate conform directivei UE și normelor pentru articolul
 δηλώνει την ακόλουθη συμμόρφωση σύμφωνα με την Οδηγία ΕΚ και τα πρότυπα για το προϊόν
 potvrđuje sljedeću usklađenost prema smjernicama EU i normama za artikl
 potvrđuje sljedeću usklađenost prema smjernicama EU i normama za artikl
 potvrđuje sledeću usklađenost prema smernicama EZ i normama za artikla
 следующим удостоверяется, что следующие продукты соответствуют директивам и нормам ЕС
 проголошує про зазначену нижче відповідність виробу директивам та стандартам ЄС на виріб
 ja izjavуva slednata soobraznost согласно EU-direktivata i normite za artikli
 Ürünü ile ilgili AB direktifleri ve normları gereğince aşağıda açıklanan uygunluğu belirtir
 erklærer følgende samsvar i henhold til EU-direktivet og standarder for artikkel
 Lýsir uppfyllingu EU-reglna og annarra staðla vöru

Seilhebezug PSZ 250 A2 (Parkside)

- 87/404/EC_2009/105/EC
 2005/32/EC_2009/125/EC
 2006/95/EC
 2006/28/EC
 2004/108/EC
 2004/22/EC
 1999/5/EC
 97/23/EC
 90/396/EC_2009/142/EC
 89/686/EC_96/58/EC
 2006/42/EC
 Annex IV
 Notified Body:
 Notified Body No.:
 Reg. No.:
 2000/14/EC_2005/88/EC
 Annex V
 Annex VI
 Noise: measured L_{WA} = dB (A); guaranteed L_{WA} = dB (A)
 P = KW; L/O = cm
 Notified Body:
 2004/26/EC
 Emission No.:

Standard references: EN 14492-2; EN 60204-32;
EN 55014-1; EN 55014-2; EN 61000-3-2; EN 61000-3-3

Landau/Isar, den 18.04.2011

Weichselgartner/General Manager

Wentao/Product-Management

First CE: 09
 Art.-No.: 22.551.25 I.-No.: 11021
 Subject to change without notice

Archive-File/Record: NAPR003513
 Documents registrar: Robert Mayn
 Wiesenweg 22, D-94405 Landau/Isar

11. ΕΓΓΥΗΣΗ

Αξιότιμη πελάτισσα, αξιότιμε πελάτη,

Τα προϊόντα μας υπόκεινται σε αυστηρούς ελέγχους ποιότητας. Εάν παρ' όλα αυτά κάποτε δεν λειτουργήσουν άψογα, λυπούμαστε πολύ και σας παρακαλούμε να αποτανθείτε προς το τμήμαμα Εξυπηρέτησης Πελατών, στη διεύθυνση που αναφέρετε σε αυτή την εγγύηση. Ευχαρίστως σας βοηθούμε και τηλεφωνικώς στον αριθμό που αναφέρετε πιο κάτω. Για την κατίσχυση των αξιώσεων εγγύησης ισχύουν τα εξής:

1. Αυτοί οι όροι εγγύησης ρυθμίζουν πρόσθετες παροχές εγγύησης. Από την εγγύηση αυτή δεν θίγονται οι νόμιμες αξιώσεις σας για εγγύηση. Η παροχή της εγγύησής μας είναι για σας δωρεάν.
2. Η εγγύηση καλύπτει αποκλειστικά και μόνο βλάβες που οφείλονται σε ελαττώματα υλικών ή παραγωγής και περιορίζονται στην αποκατάσταση αυτών των ελαττωμάτων ή την αντικατάσταση της συσκευής. Παρακαλούμε να προσέξετε πως οι συσκευές μας δεν προορίζονται για τη βιομηχανία, τη βιοτεχνία και την επαγγελματική χρήση. Για το λόγο αυτό δεν υφίσταται σύμβαση εγγύησης σε περίπτωση χρήσης της συσκευής στη βιομηχανία, βιοτεχνία, για επαγγελματικό ή άλλο παρόμοιο σκοπό. Από την εγγύησή μας αποκλείονται πέραν τούτου αποζημιώσεις για βλάβες μεταφοράς, βλάβες οφειλόμενες σε μη τήρηση της Οδηγίας συναρμολόγησης, ή σε εσφαλμένη εγκατάσταση, μη τήρηση της Οδηγίας χρήσης (π.χ. σύνδεση σε λάθος τάση δικτύου ή είδος ρεύματος), καταχρηστική ή όχι ορθή χρήση (π.χ. υπερφόρτωση ή χρήση μη εγκεκριμένων ανταλλακτικών εργαλείων ή εξαρτημάτων), μη τήρηση των Υποδείξεων συντήρησης και ασφαλείας, είσοδος ξένων αντικειμένων στη συσκευή (όπως π.χ. άμμος ή σκόνη), χρήση βίας ή εξωτερική επίδραση (όπως π.χ. βλάβες από πτώση) καθώς και βλάβες που οφείλονται σε κοινή φθορά.

Η αξίωση εγγύησης εκπίπτει σε περίπτωση που έγιναν ήδη ξένες επεμβάσεις στη συσκευή.

3. Η διάρκεια της εγγύησης ανέρχεται σε 3 έτη και αρχίζει από την ημερομηνία αγοράς της συσκευής. Οι αξιώσεις εγγύησης πρέπει να κατισχυθούν πριν την πάροδο της προθεσμίας της εγγύησης εντός δύο εβδομάδων από την διαπίστωση του ελαττώματος. Αποκλείεται η κατίσχυση αξιώσεων εγγύησης μετά την πάροδο της προθεσμίας της εγγύησης. Η επισκευή ή η αντικατάσταση της συσκευής δεν συνεπάγεται ούτε την επέκταση της διάρκειας της εγγύησης ούτε την έναρξη νέας προθεσμίας εγγύησης για τη συσκευή ή τα ενδεχομένως τοποθετηθέντα εξαρτήματα. Το ίδιο ισχύει και σε περίπτωση σέρβις επί τόπου.
4. Για την κατίσχυση της αξίωσης της εγγύησης σας παρακαλούμε να μας αποστείλετε τη συσκευή, χωρίς επιβάρυνσή μας με ταχυδρομικά τέλη, στην πιο κάτω αναφερόμενη διεύθυνση. Μη ξεχάσετε να επισυνάψετε το πρωτότυπο της απόδειξης αγοράς ή άλλο ισχύον αποδεικτικό αγοράς. Για το λόγο αυτό σας παρακαλούμε να φυλάξετε καλά την απόδειξη του ταμείου! Παρακαλούμε επίσης να μας περιγράψετε την αιτία για την διαμαρτυρία σας όσο πιο αναλυτικά γίνεται. Εάν το ελάττωμα της συσκευής σας καλύπτεται από την εγγύησή μας, είτε θα σας επιστραφεί ταχύτατα η επισκευασμένη συσκευή σας, είτε θα λάβετε μία νέα συσκευή.

Φυσικά επισκευάζουμε ευχαρίστως έναντι αμοιβής και ελαττώματα στη συσκευή σας που δεν καλύπτονται ή δεν καλύπτονται πλέον από την εγγύηση. Για το σκοπό αυτό σας παρακαλούμε να αποστείλετε τη συσκευή σας στη διεύθυνση του τμήματος μας για Εξυπηρέτηση Πελατών.

EINHELL Hellas A. E.
Lasithiou Str. 4
14342 Nea Philadelphia
Tel. 0210 2776871 · Fax 0210 2776871

DE/AT/
CH

Inhaltsverzeichnis

Seite

1. Einleitung	39
2. Sicherheitshinweise	39
3. Gerätebeschreibung und Lieferumfang	39-40
4. Bestimmungsgemäße Verwendung.....	40
5. Technische Daten	40
6. Vor Inbetriebnahme	40-41
7. Bedienung.....	41-42
8. Reinigung, Wartung und Ersatzteilbestellung.....	42-43
9. Entsorgung und Wiederverwertung	43
10. Konformitätserklärung.....	44
11. Garantiekunde	45

Der Nachdruck oder sonstige Vervielfältigung von Dokumentation und Begleitpapieren der Produkte, auch auszugsweise ist nur mit ausdrücklicher Zustimmung der ISC GmbH zulässig.

Technische Änderungen vorbehalten

1. Einleitung

⚠ Achtung!

Beim Benutzen von Geräten müssen einige Sicherheitsvorkehrungen eingehalten werden, um Verletzungen und Schäden zu verhindern. Lesen Sie diese Bedienungsanleitung deshalb sorgfältig durch. Bewahren Sie diese gut auf, damit Ihnen die Informationen jederzeit zur Verfügung stehen. Falls Sie das Gerät an andere Personen übergeben sollten, händigen Sie diese Bedienungsanleitung bitte mit aus. Wir übernehmen keine Haftung für Unfälle oder Schäden, die durch Nichtbeachten dieser Anleitung und den Sicherheitshinweisen entstehen.

2. Sicherheitshinweise

⚠ WARNUNG

Lesen Sie alle Sicherheitshinweise und Anweisungen. Versäumnisse bei der Einhaltung der Sicherheitshinweise und Anweisungen können elektrischen Schlag, Brand und/oder schwere Verletzungen zur Folge haben.

Bewahren Sie alle Sicherheitshinweise und Anweisungen für die Zukunft auf.

- Kontrollieren Sie stets ob die Netzspannung der Spannung auf dem Typenschild entspricht. Für den Fall, dass die Netzspannung nicht geeignet ist, kann dies zu abnormalem Arbeiten der Maschine und zu Personenschäden führen.
- Die Stromversorgung muss eine Erdung besitzen und mit einem Fehlerstrom-Schutzschalter abgesichert sein.
- Es ist verboten, Lasten die die Nennlast überschreiten, anzuheben.
- Verwenden Sie das Gerät nur für den vorgesehenen Zweck. Nie Personen mit dem Seilhebezug anheben.
- Ziehen Sie nicht am Kabel, um den Stecker zu ziehen. Halten Sie das Kabel von Hitze, Öl und scharfen Kanten fern.
- Versuchen Sie nie, feste oder blockierte Lasten anzuheben.

- Ziehen Sie den Netzstecker, wenn der Seilhebezug nicht in Gebrauch ist.
- Halten Sie Kinder und andere nicht autorisierte Personen von der Maschine fern.
- Es ist verboten Lasten seitwärts oder von einer Seite zu ziehen. Vermeiden Sie ein Schwingen der Last.
- Stellen Sie sicher dass sich der Haken in die selbe Richtung wie auf dem Drucktaster angezeigt bewegt.
- Kontrollieren Sie den Seilhebezug regelmäßig auf Beschädigungen. Der Drucktaster muss in gutem Zustand sein.
- Lassen Sie Reparaturen und Wartungsarbeiten nur in autorisierten Fachwerkstätten durch einen Elektrofachmann durchführen. Reparaturen dürfen nur von einer Elektrofachkraft ausgeführt werden, andernfalls können Unfälle für den Betreiber entstehen.
- Vermeiden Sie schnelles An- und Abschalten (Tippbetrieb).
- Seien Sie bei der Bedienung des Seilhebezuges stets aufmerksam.
- Stehen oder arbeiten Sie nicht unter der gehobenen Last.
- Es ist unzulässig, festsitzende oder verklemmte Lasten anzuheben.

3. Gerätebeschreibung und Lieferumfang (Bild 1-2)

1. Befestigungsbügel
2. Befestigungsloch für Haken
3. Trommel
4. Hebel für maximale Seillänge
5. Hebel des automatischen Stoppmechanismus
6. Stahlseil
7. Abschaltgewicht
8. Haken
9. Not-Aus-Schalter
10. Drucktaster
11. Fernbedienung
12. Netzkabel
13. Steuerleitung
14. Motor

DE/AT/
CH

- 15. Umlenkrolle
- 16. Zusatzhaken

4. Bestimmungsgemäße Verwendung

Der Seilhebezug dient zum Heben und Absenken von Lasten in geschlossenen Räumen entsprechend der Geräteleistung.

Die Maschine darf nur nach ihrer Bestimmung verwendet werden. Jede weitere darüber hinausgehende Verwendung ist nicht bestimmungsgemäß. Für daraus hervorgerufene Schäden oder Verletzungen aller Art haftet der Benutzer/Bediener und nicht der Hersteller.

Bitte beachten Sie, dass unsere Geräte bestimmungsgemäß nicht für den gewerblichen, handwerklichen oder industriellen Einsatz konstruiert wurden. Wir übernehmen keine Gewährleistung, wenn das Gerät in Gewerbe-, Handwerks- oder Industriebetrieben sowie bei gleichzusetzenden Tätigkeiten eingesetzt wird.

5. Technische Daten

Spannung (V)	230 V ~ 50 Hz
Nennstrom (A)	2,2
Leistungsaufnahme (W)	500
Betriebsart	S3 20% 10 min
Nennlast (kg)	125 / 250
Hebehöhe (m)	11,5 / 5,7
Nenngeschwindigkeit (m/min)	8 / 4
Durchmesser des Stahlseiles (mm)	3,0
Zugfestigkeit des Stahlseils (N/mm ²)	1870
Isolationsklasse	B
Schutzklasse	IP24
Triebwerksklasse	M1
Nettogewicht (kg)	10,5

Betriebsart S3 - 20% - 10min: S3 = Aussetzbetrieb ohne Einfluss des Anlaufvorganges. Dies bedeutet, dass während eines Zeitraums von 10 min die max. Betriebszeit 20% (2 Min) beträgt.

6. Vor Inbetriebnahme

- Überzeugen Sie sich vor dem Anschließen, dass die Daten auf dem Typenschild mit den Netzdaten übereinstimmen.
- Ziehen Sie immer den Netzstecker, bevor Sie Einstellungen am Gerät vornehmen.
- Der Seilhebezug ist nicht für den Transport von heißen und/oder geschmolzenen Massen geeignet, des Weiteren ist der Seilhebezug nicht für den Einsatz bei niedrigen Temperaturen und in witterungsintensiver Umgebung geeignet.
- Mechanische Gruppe ist M1.
- Die Nutzungsdauer des Seilhebezuges ist ca. 8000 Zyklen (exkl. Verschleißteile). Wenn der Zug 8000 Zyklen durchlaufen hat, müssen alle mechanischen Teile kontrolliert und überholt werden.
- Lesen und verstehen Sie die Bedienungsanleitung, bevor Sie den Seilhebezug benutzen.
- Stellen Sie sicher, dass die Bedienperson weiß, wie die Maschine funktioniert, und wie sie betrieben werden sollte.
- Der Nutzer muss immer in Übereinstimmung mit der Bedienungsanleitung operieren.
- Der Hebezug ist nicht für den Dauereinsatz vorgesehen. Die Betriebsart ist: Aussetzbetrieb ohne Einfluss des Anlaufvorganges.
- Die Nennleistung der Maschine variiert nicht mit der Position der Belastung.

6.1 Auspacken

Nach dem Öffnen der Verpackung inspizieren Sie bitte das Gerät, das Stahlseil, die Haken, den Hebel für die maximale Seillänge und den Hebel des automatischen Stoppmechanismus auf mögliche Transportschäden.

6.2 Montage (Bild 5)

Der Seilhebezug ist mit 2 Befestigungsbügeln (1) ausgestattet, mit denen er an einem Vierkantrrohr / Schwenkarm befestigt werden muss. Die Abmessungen des Vierkantrrohrs / Schwenkarms müssen in Übereinstimmung mit der Größe der Befestigungsbügel (1) sein und er muss die zweifache Nennlast tragen können. Wir empfehlen Ihnen, Kontakt mit einem qualifizierten Techniker aufzunehmen. Alle Schrauben müssen richtig angezogen werden. Vor der Inbetriebnahme sollte ein qualifizierter Techniker die Verankerung des Vierkantrrohrs / Schwenkarms überprüfen.

6.3 Flaschenzugfunktion (Bild 6-9)

Der Seilhebezug ist mit einer Umlenkrolle (15) und einem Zusatzhaken (16) ausgestattet. Bei richtiger Verwendung kann der Seilhebezug die doppelte Last heben.

Montieren Sie Umlenkrolle (15) und Zusatzhaken (16) wie in Bild 6-8 dargestellt. Der fest montierte Haken (8) muss am Befestigungsloch (2) eingehängt werden (Bild 9).

Die Last wird nun mit Hilfe von zwei Stahlseilen angehoben, der Seilhebezug kann somit die doppelte Last anheben.

7. Bedienung

7.1 Inbetriebnahme

- Entfernen Sie vor der ersten Benutzung das Klebeband von der Trommel (3).
- Der Wert der A-bewerteten Lärmemission an der Betreiberposition ist niedriger als 70dB.
- Versorgungsspannung: 230V ± 10%, 50Hz ± 1%.
- Der Seilhebezug ist bei Umgebungstemperaturen zwischen 0 °C und 40 °C relative Luftfeuchtigkeit unter 85% zu betreiben. Höhe über dem Meeresspiegel: max. 1000 m.
- Für Transport und Lagerung darf die Temperatur zwischen -25 °C und 55 °C betragen. Die höchste zulässige Temperatur darf nicht über

70 °C betragen.

- Der Nutzer muss die Last vom Boden mit der geringsten möglichen Geschwindigkeit anheben. Das Seil muss gestrafft sein, wenn die Last angehoben wird.
- Der Motor (14) des Seilhebezuges ist mit einem Thermostatschalter ausgestattet. Während des Betriebes des Seilhebezuges kann es daher zum Stoppen des Motors (14) kommen, dieser läuft automatisch wieder an wenn er abgekühlt ist.
- Der elektrische Seilhebezug ist nicht mit einem Nennleistungsbegrenzer ausgestattet. Deshalb, nicht weiter Versuchen die Last anzuheben, wenn der Überhitzungsschutz den Betrieb begrenzt. Die Last überschreitet in diesem Fall die Nennleistung des Seilhebezuges.
- Lassen Sie keine hängenden Lasten unbeaufsichtigt ohne entsprechende Sicherheitsvorkehrungen getroffen zu haben.
- Sichern Sie das Gerät mit einer 10 A Sicherung oder einem 10 A Fehlerstrom-Schutzschalter ab um den Stromkreis zu schützen.
- Verwenden Sie die Hebel (4/5) nicht als Routine Stoppvorrichtung. Diese dienen nur als Stoppvorrichtung für den Notfall.
- Bevor Sie beginnen, stellen Sie sicher, dass das Stahlseil (6) korrekt um die Trommel (3) gewickelt ist und der Abstand zwischen den Windungen kleiner als das Stahlseil ist (Bild. 3)
- Stellen Sie sicher, dass die Ladung ordnungsgemäß am Haken (8) beziehungsweise bei Flaschenzugbetrieb dem Zusatzhaken (16) gesichert ist und halten Sie stets Abstand zur Last und dem Stahlseil (6).

7.2 Betrieb (Bild 9-10)

- Überprüfen Sie, ob der Not-Aus-Schalter (9) gedrückt ist. Drehen Sie den Not-Aus-Schalter im Uhrzeigersinn um ihn zu entriegeln.
- Drücken Sie den Drucktaster ▲ (10) zum Anheben der Last.
- Drücken Sie den Drucktaster ▼ (10) zum

Senken der Last.

- Hebel des automatischen Stoppmechanismus (5): Wenn die maximale Hebehöhe erreicht ist, drückt das Abschaltgewicht (7) den Hebel (5) nach oben. Dadurch wird ein Endschalter betätigt und die Last kann nicht weiter angehoben werden.
- Hebel für maximale Seillänge (4): Wenn die Last die niedrigste mögliche Position erreicht hat, wird ein Endschalter betätigt, der ein weiteres Absenken der Last nicht ermöglicht. Dieser Endschalter würde auch einen Betrieb des Seilhebezuges in falscher Richtung (Haken bewegt sich entgegengesetzt zur am Drucktaster angezeigten Richtung) verhindern.
- Wenn der Not-Aus-Schalter (9) betätigt wird, hält der Seilhebezug an.
- Im Falle eines Notfalls, sofort Not-Aus-Schalter (9) betätigen um den Seilhebezug anzuhalten. Die Bedienung des Seilhebezuges ist nicht möglich, wenn der Not-Aus-Schalter betätigt wurde.

8. Reinigung, Wartung und Ersatzteilbestellung

Ziehen Sie vor allen Reinigungsarbeiten den Netzstecker.

8.1 Reinigung

- Halten Sie Schutzvorrichtungen, Luftschlitze und Motorengehäuse so staub- und schmutzfrei wie möglich. Reiben Sie das Gerät mit einem sauberen Tuch ab oder blasen Sie es mit Druckluft bei niedrigem Druck aus.
- Das Gerät direkt nach jeder Benutzung reinigen.
- Reinigen Sie das Gerät regelmäßig mit einem feuchten Tuch und etwas Schmierseife. Verwenden Sie keine Reinigungs- oder Lösungsmittel; diese könnten die Kunststoffteile des Gerätes angreifen. Achten Sie darauf, dass kein Wasser in das Geräteinnere gelangen kann.

8.2 Wartung

Achtung! Stellen Sie stets sicher, dass die Maschine nicht mit dem Stromnetz verbunden ist, wenn Sie die Maschine pflegen.

- Nachstehend: Ein Zyklus entspricht einer Auf- und Abwärtsbewegung einer Last. Periodische Prüfung entspricht einer Prüfung nach 100 Zyklen.
- Überprüfen Sie periodisch, dass die Endschalter des Seilhebezugs ordnungsgemäß funktionieren. (ohne Last prüfen) Die Prüfung erfolgt folgendermaßen: Wenn das Seil die maximale Hebehöhe erreicht, wird der Hebel des automatischen Stoppmechanismus (5) betätigt. Der Motor (14) muss nun stoppen. Wenn das Stahlseil (6) so weit wie möglich abgewickelt ist, wird der Hebel für maximale Seillänge (4) betätigt. Der Motor (14) muss nun stoppen.
- Prüfen Sie periodisch das Netzkabel (12) und die Steuerleitung (13).
- Alle 200 Zyklen müssen Stahlseil (6) und Umlenkrolle (15) geschmiert werden.
- Alle 30 Zyklen muss entsprechend Bild 4 kontrolliert werden, ob das gesamte Stahlseil (6) in gutem Zustand ist. Falls es beschädigt ist, muss es durch ein den technischen Daten entsprechendes Stahlseil ersetzt werden.
- Alle 1000 Zyklen prüfen, ob die Schrauben der Befestigungsbügel (1) und Umlenkrolle (15) gut angezogen sind.
- Alle 1000 Zyklen prüfen, ob die Haken (8/16) und die Umlenkrolle (15) in gutem Zustand sind.
- Kontrollieren Sie vor jeder Benutzung des Seilhebezuges, ob Not-Aus-Schalter (9) und Drucktaster (10) in einwandfreiem Betriebszustand sind.
- Alle 1000 Zyklen das Bremssystem überprüfen. Wenn der Motor (14) ungewöhnliche Geräusche macht oder die Nennlast nicht anheben kann, ist es möglich, dass das Bremssystem überholt werden muss:
 - Ersetzen Sie beschädigte oder abgenutzte Teile, und bewahren Sie die

dazugehörige Wartungsdokumentation auf.
- Für außerplanmäßige
Instandhaltungsarbeiten wenden Sie sich
bitte an ein autorisiertes Servicecenter.

kann hierfür auch einer Rücknahmestelle
überlassen werden, die eine Beseitigung im
Sinne der nationalen Kreislaufwirtschafts-
und Abfallgesetze durchführt. Nicht betroffen
sind den Altgeräten beigefügte Zubehörteile
und Hilfsmittel ohne Elektrobestandteile.

8.3 Ersatzteilbestellung:

Bei der Ersatzteilbestellung sollten folgende
Angaben gemacht werden:

- Typ des Gerätes
- Artikelnummer des Gerätes
- Ident-Nummer des Gerätes

Aktuelle Preise und Infos finden Sie unter
www.isc-gmbh.info

9. Entsorgung und Wiederverwertung

Das Gerät befindet sich in einer Verpackung
um Transportschäden zu verhindern. Diese
Verpackung ist Rohstoff und ist somit wieder
verwendbar oder kann dem Rohstoffkreislauf
zurückgeführt werden. Das Gerät und dessen
Zubehör bestehen aus verschiedenen
Materialien, wie z.B. Metall und Kunststoffe.
Führen Sie defekte Bauteile der
Sondermüllentsorgung zu. Fragen Sie im
Fachgeschäft oder in der Gemeindeverwaltung
nach!



Nur für EU-Länder

Werfen Sie Elektrowerkzeuge nicht
in den Hausmüll!

Gemäß europäischer Richtlinie 2002/96/EG
über Elektro- und Elektronik-Altgeräte und
Umsetzung in nationales Recht müssen
verbrauchte Elektrowerkzeuge getrennt
gesammelt werden und einer umweltgerechten
Wiederverwertung zugeführt werden.

Recycling-Alternative zur Rücksendeauf-
forderung:

Der Eigentümer des Elektrogerätes ist alter-
nativ anstelle Rücksendung zur Mitwirkung bei
der sachgerechten Verwertung im Falle der
Eigentumsaufgabe verpflichtet. Das Altgerät

DE/AT/
CH

10. Konformitätserklärung

Einhell Germany AG · Wiesenweg 22 · D-94405 Landau/Isar

**Konformitätserklärung**

- (E)** erklart folgende Konformitat gema EU-Richtlinie und Normen fur Artikel
- (EN)** explains the following conformity according to EU directives and norms for the following product
- (F)** dclare la conformit suivante selon la directive CE et les normes concernant l'article
- (I)** dichiara la seguente conformit secondo la direttiva UE e le norme per l'articolo
- (NL)** verklaart de volgende overeenstemming conform EU richtlijn en normen voor het product
- (E)** declara la siguiente conformidad a tenor de la directiva y normas de la UE para el artculo
- (P)** declara a seguinte conformidade, de acordo com a directiva CE e normas para o artigo
- (DK)** attesterer flgende overensstemmelse i medfr af EU-direktiv samt standarder for artikkel
- (S)** frklarar fljande verensstammelse enl. EU-direktiv och standarder fr artikeln
- (FIN)** vakuuttaa, ett tuote tytta EU-direktiivin ja standardien vaatimukset
- (EE)** tendab toote vastavust EL direktiivile ja standarditele
- (CZ)** vydav nsledujc prohlsen o shod podle smrnice EU a norem pro vrobek
- (HU)** potrjuje sledeo skladnost s smernico EU in standardi za izdelek
- (SK)** vydava nasledujce prehlsenie o zhode podl'a smernice E a noriem pre vrobok
- (H)** a cikkekhez az EU-irnyvonal s Normk szerint a kvetkezo konformitst jelenti ki
- (PL)** deklaruje zgodnoc wymienionego ponizej artykuu z nastpujcymi normami na podstawie dyrektywy WE.
- (BG)** декларира съответното съответствие съгласно Директива на ЕС и норми за артикул
- (LV)** paskaidro šadu atbilstību ES direktīvai un standartiem
- (LT)** apibūdina šj atitikim EU reikalavimams ir preks normoms
- (RO)** declar urmtoarea conformitate conform directivei UE și normelor pentru articolul
- (GR)** δηλνει την ακλουθη συμμρφωση σύμφωνα με την Οδηγία ΕΚ και τα πρτυπα για το προϊόν
- (SI)** potrduje sljedeu uskladenost prema smjernicama EU i normama za artiki
- (CJ)** potrduje sljedeu uskladenost prema smjernicama EU i normama za artiki
- (HU)** potrduje sledeu uskladenost prema smernicama EZ i normama za artikal
- (RU)** следующим удостоверяется, что следующие продукты соответствуют директивам и нормам ЕС
- (UK)** проголошує про зазначену нижче вдповднсть виробу директивам та стандартам ЄС на вирб
- (B)** ja izjavuva slednata soobraznost согласно EU-direktivata i normite za artikli
- (TR)** rn ile ilgili AB direktifleri ve normlari gereince aaıda aıklanan uygunluu belirtir
- (I)** erklerer flgende samsvar i henhold til EU-direktivet og standarder for artikkel
- (IS)** Lsir uppfyllingu EU-reglna og annarra stala vru

Seilhebezug PSZ 250 A2 (Parkside)

- 87/404/EC_2009/105/EC
- 2006/42/EC
- 2005/32/EC_2009/125/EC
- Annex IV
Notified Body:
Notified Body No.:
Reg. No.:
- 2006/95/EC
- 2006/28/EC
- 2004/108/EC
- 2000/14/EC_2005/88/EC
- 2004/22/EC
- Annex V
- Annex VI
Noise: measured L_{WA} = dB (A); guaranteed L_{WA} = dB (A)
P = KW; L/O = cm
Notified Body:
- 1999/5/EC
- 97/23/EC
- 90/396/EC_2009/142/EC
- 2004/26/EC
Emission No.:
- 89/686/EC_96/58/EC

**Standard references: EN 14492-2; EN 60204-32;
EN 55014-1; EN 55014-2; EN 61000-3-2; EN 61000-3-3**

Landau/Isar, den 18.04.2011


 Weichselgartner/General Manager


 Wentao/Product-Management

First CE: 09
Art.-No.: 22.551.25 **I.-No.:** 11021
Subject to change without notice

Archive-File/Record: NAPR003513
Documents registrar: Robert Mayn
 Wiesenweg 22, D-94405 Landau/Isar

11. GARANTIEURKUNDE

Sehr geehrte Kundin, sehr geehrter Kunde,

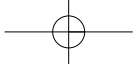
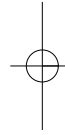
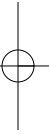
unsere Produkte unterliegen einer strengen Qualitätskontrolle. Sollte dieses Gerät dennoch einmal nicht einwandfrei funktionieren, bedauern wir dies sehr und bitten Sie, sich an unseren Servicedienst unter der auf dieser Garantiekarte angegebenen Adresse zu wenden. Gern stehen wir Ihnen auch telefonisch über die unten angegebene Servicrufnummer zur Verfügung. Für die Geltendmachung von Garantieansprüchen gilt Folgendes:

1. Diese Garantiebedingungen regeln zusätzliche Garantieleistungen. Ihre gesetzlichen Gewährleistungsansprüche werden von dieser Garantie nicht berührt. Unsere Garantieleistung ist für Sie kostenlos.
2. Die Garantieleistung erstreckt sich ausschließlich auf Mängel, die auf Material- oder Herstellungsfehler zurückzuführen sind und ist auf die Behebung dieser Mängel bzw. den Austausch des Gerätes beschränkt. Bitte beachten Sie, dass unsere Geräte bestimmungsgemäß nicht für den gewerblichen, handwerklichen oder industriellen Einsatz konstruiert wurden. Ein Garantievertrag kommt daher nicht zustande, wenn das Gerät in Gewerbe-, Handwerks- oder Industriebetrieben sowie bei gleichzusetzenden Tätigkeiten eingesetzt wird.
Von unserer Garantie sind ferner Ersatzleistungen für Transportschäden, Schäden durch Nichtbeachtung der Montageanleitung oder aufgrund nicht fachgerechter Installation, Nichtbeachtung der Gebrauchsanleitung (wie durch z.B. Anschluss an eine falsche Netzspannung oder Stromart), missbräuchliche oder unsachgemäße Anwendungen (wie z.B. Überlastung des Gerätes oder Verwendung von nicht zugelassenen Einsatzwerkzeugen oder Zubehör), Nichtbeachtung der Wartungs- und Sicherheitsbestimmungen, Eindringen von Fremdkörpern in das Gerät (wie z.B. Sand, Steine oder Staub), Gewaltanwendung oder Fremdeinwirkungen (wie z. B. Schäden durch Herunterfallen) sowie durch verwendungsgemäßen, üblichen Verschleiß ausgeschlossen. Dies gilt insbesondere für Akkus, auf die wir dennoch eine Garantiezeit von 12 Monaten gewähren.
Der Garantieanspruch erlischt, wenn an dem Gerät bereits Eingriffe vorgenommen wurden.
3. Die Garantiezeit beträgt 3 Jahre und beginnt mit dem Kaufdatum des Gerätes. Garantieansprüche sind vor Ablauf der Garantiezeit innerhalb von zwei Wochen, nachdem Sie den Defekt erkannt haben, geltend zu machen. Die Geltendmachung von Garantieansprüchen nach Ablauf der Garantiezeit ist ausgeschlossen. Die Reparatur oder der Austausch des Gerätes führt weder zu einer Verlängerung der Garantiezeit noch wird eine neue Garantiezeit durch diese Leistung für das Gerät oder für etwaige eingebaute Ersatzteile in Gang gesetzt. Dies gilt auch bei Einsatz eines Vor-Ort-Services.
4. Für die Geltendmachung Ihres Garantieanspruches übersenden Sie bitte das defekte Gerät portofrei an die unten angegebene Adresse. Fügen Sie den Verkaufsbeleg im Original oder einen sonstigen datierten Kaufnachweis bei. Bitte bewahren Sie deshalb den Kassenbon als Nachweis gut auf! Beschreiben Sie uns bitte den Reklamationsgrund möglichst genau. Ist der Defekt des Gerätes von unserer Garantieleistung erfasst, erhalten Sie umgehend ein repariertes oder neues Gerät zurück.

Selbstverständlich beheben wir gegen Erstattung der Kosten auch gerne Defekte am Gerät, die vom Garantieumfang nicht oder nicht mehr erfasst sind. Dazu senden Sie das Gerät bitte an unsere Serviceadresse.



A series of 20 horizontal lines spanning the width of the page, intended for handwritten text or calculations.





IAN: 66764 PSZ 250 A2

Einhell Germany AG

Wiesenweg 22

D-94405 Landau/Isar

Last Information Update · Stanje informacija

Състояние на информацията · Έκδοση των πληροφοριών

Stand der Informationen: 05/2011 Ident.-No.: 22.551.25 052011 - 7

7+