



PAINT & MORTAR MIXER PFMR 1400 A1

GB IE

PAINT & MORTAR MIXER

Operation and Safety Notes
Original operating instructions

DK

FARVE- OG MØRTELMIKSER

Brugs- og sikkerhedsanvisninger
Original betjeningsvejledning

DE AT CH

FARB- UND MÖRTELRÜHRER

Bedienungs- und Sicherheitshinweise
Originalbetriebsanleitung

SE

OMRÖRARE FÖR FÄRG- OCH MURBRUK

Bruksanvisning och säkerhetsanvisningar
Original-bruksanvisning

HR

MJEŠALICA ZA BOJE I MORT

Upute za posluživanje i za Vašu sigurnost
Originalne upute za uporabu

IAN 70714

SE DK HR



GB IE

Before reading, unfold the page containing the illustrations and familiarise yourself with all functions of the device.

SE

Vik ut bildsidan och ha den till hands när du läser igenom anvisningarna och gör dig bekant med apparatens / maskinens funktioner.

DK

Før du læser, vend siden med billeder frem og bliv bekendt med alle apparatets funktioner.

HR

Prije nego što pročitate tekst, otvorite stranicu sa slikama i upoznajte se na osnovu toga sa svim funkcijama uređaja.

DE AT CH

Klappen Sie vor dem Lesen die Seite mit den Abbildungen aus und machen Sie sich anschließend mit allen Funktionen des Gerätes vertraut.

GB/IE	Operation and Safety Notes	Page	5
SE	Bruksanvisning och säkerhetsanvisningar	Sidan	15
DK	Brugs- og sikkerhedsanvisninger	Side	25
HR	Upute za posluživanje i za Vašu sigurnost	Stranica	35
DE/AT/CH	Bedienungs- und Sicherheitshinweise	Seite	45

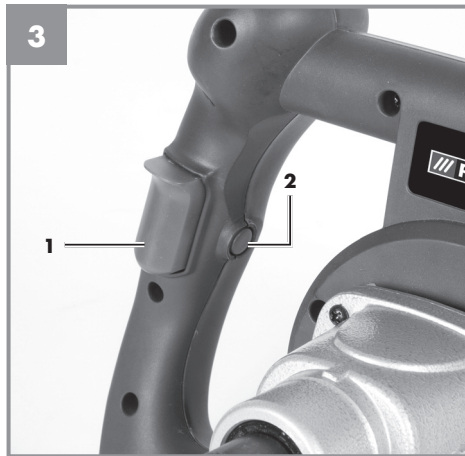
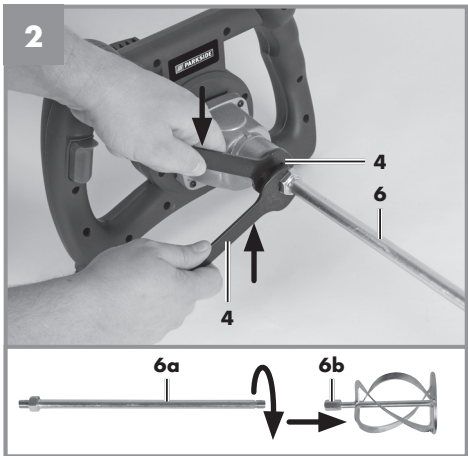
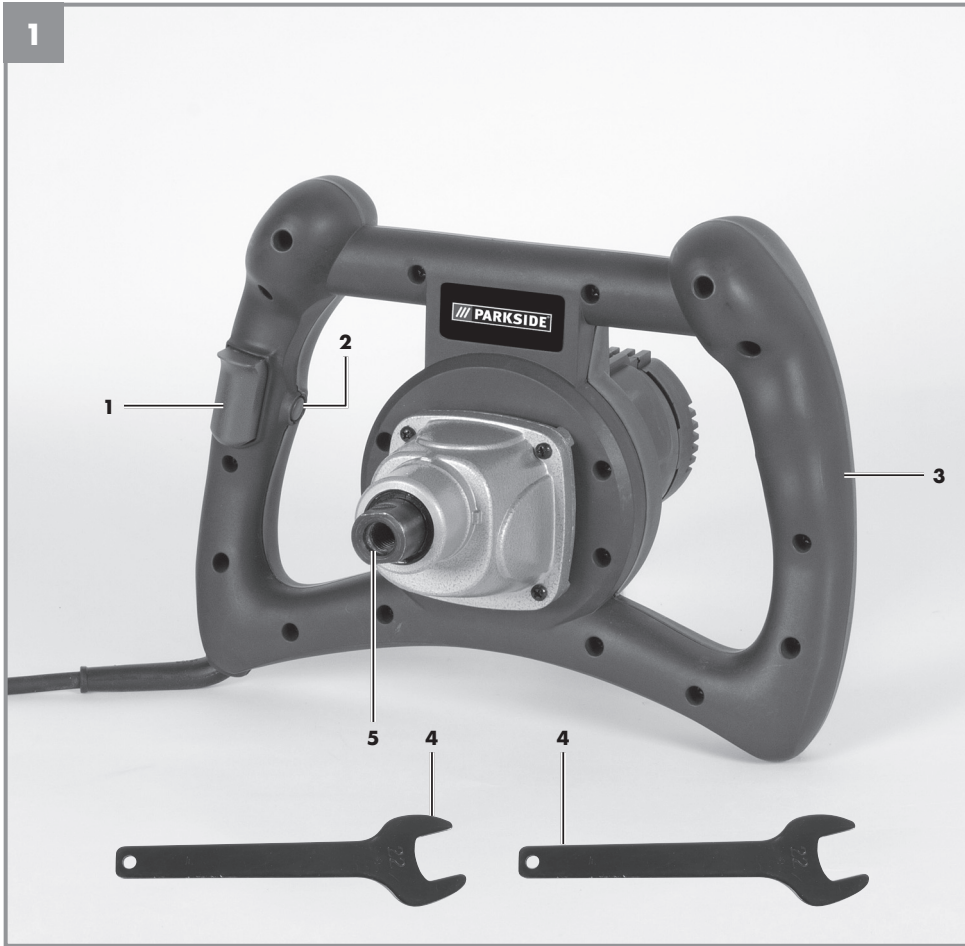




Table of contents

1. Introduction.....	7
2. Safety regulations	7
3. Layout and items supplied.....	9
4. Proper use.....	10
5. Technical data	10
6. Before starting the equipment	11
7. Operation	11
8. Replacing the power cable.....	11
9. Cleaning, maintenance and ordering of spare parts.....	11
10. Storage	12
11. Disposal and recycling	12
12. Declaration of conformity.....	13
13. Warranty certificate	14

The reprinting or reproduction by any other means, in whole or in part, of documentation and papers accompanying products is permitted only with the express consent of the iSC GmbH.

Subject to technical changes



Caution - Read the operating instructions to reduce the risk of injury



Wear ear-muffs. The impact of noise can cause damage to hearing.



Wear a breathing mask. Dust which is injurious to health can be generated when working on wood and other materials. Never use the device to work on any materials containing asbestos!



Wear safety goggles. Sparks generated during working or splinters, chips and dust emitted by the device can cause loss of sight.

1. Introduction

⚠ Important!

When using the equipment, a few safety precautions must be observed to avoid injuries and damage. Please read the complete operating instructions and safety regulations with due care. Keep this manual in a safe place, so that the information is available at all times. If you give the equipment to any other person, hand over these operating instructions and safety regulations as well. We cannot accept any liability for damage or accidents which arise due to a failure to follow these instructions and the safety instructions.

2. Safety regulations

⚠ Caution!

Read all safety regulations and instructions.

Any errors made in following the safety regulations and instructions may result in an electric shock, fire and/or serious injury.

Keep all safety regulations and instructions in a safe place for future use.

The term "electric tool" used in the safety instructions refers to electric tools operated from the mains power supply (with a power cable) and to battery operated electric tools (without a power cable).

1. Workplace safety

- a) **Keep your work area clean and well illuminated.** Untidy or unlit work areas can result in accidents.
- b) **Do not operate the electric tool in an environment where there is a risk of explosions and where there are inflammable liquids, gases or dust.** Electric tools produce sparks which could set the dust or vapours alight.
- c) **Keep the electric tool out of the reach of children and other persons.** If there is a distraction, you may lose control of the appliance.

2. Electrical safety

- a) **The connector plug from this electric tool must fit into the socket. The plug should never be altered in any way. Never use adapter plugs together with earthed electric tools.** Unaltered plugs and correct sockets reduce the risk of an electric shock.
- b) **Avoid bodily contact with earthed surfaces such as pipes, heating, ovens and fridges.** The risk of electric shock is increased if your body is earthed.
- c) **Keep the tool out of the rain and away from moisture.** The ingress of water into an electric tool increases the risk of an electric shock.
- d) **Do not use the cable to carry the electric tool, to hang it up or to pull it out of the socket. Keep the cable away from heat, oil, sharp edges and moving parts of the appliance.** Damaged or entangled cables increase the risk of an electric shock.
- e) **If you are working outdoors with an electric tool, only use extension cables which are designed specifically for this purpose.** Using specially designed outdoor extension cables, the risk of electric shock is reduced.
- f) **If operation of the electric tool in a damp environment can not be avoided, use a earth-leakage circuit-breaker.** The earth-leakage circuit-breaker reduces the risk of an electric shock.

3. Safety of persons

- a) **Be careful, watch what you are doing and use an electric tool sensibly. Do not use the tool if you are tired or under the influence of drugs, alcohol or medication.** A moment of inattention when using the electric tool can result in serious injuries.
- b) **Wear personal protection equipment and always wear safety goggles.** Wearing personal protection (such as dust masks, non-slip safety shoes, safety helmet or ear protection, depending upon the type

and use of the electric tool) reduces the risk of injury.

- c) **Make sure that the appliance cannot start up accidentally. Ensure that the electric tool is switched off before you connect it to the power supply and/or insert the battery, or pick up or carry the tool.** If your finger is on the switch whilst carrying the electric tool or if you connect the appliance to the mains when it is switched on, this can lead to accidents.
- d) **Remove keys and wrenches before switching on the electric tool.** A tool or key which comes into contact with rotating parts of the appliance can lead to injuries.
- e) **Avoid abnormal working postures. Make sure you stand squarely and keep your balance at all times.** In this way, you can control the electric tool better in unexpected circumstances.
- f) **Wear suitable work clothes. Do not wear loose clothing or jewellery. Keep hair, clothes and gloves away from moving parts.** Loose clothing, jewellery or long hair can get trapped in moving parts.
- g) **If vacuuming devices and draining devices can be fitted, make sure that these are correctly attached and correctly used.** The use of a dust extraction system can reduce the danger posed by dust.

4. Usage and treatment of the electric tool

- a) **Do not overload the appliance. Use the correct tool for your work.** You will be able to work better and more safely within the given performance boundaries.
- b) **Do not use an electric tool with a defective switch.** An electric tool that cannot be switched on or off is dangerous and must be repaired.
- c) **Pull the plug out of the socket and/or remove the battery before making any adjustments to the appliance, changing accessories or put the appliance down.** This safety measure prevents starting the electric tool unintentionally.

- d) **Keep unused electric tools out of the reach of children. Do not allow people who are not familiar with the appliance or who have not read these instructions to use the appliance.** Electric tools are dangerous if they are used by inexperienced people.
- e) **Clean your electric tool carefully. Check whether moving parts are functioning properly and not jamming, whether parts are broken or damaged enough that the functioning of this electric tool is affected. Have damaged parts repaired before using the appliance.** Many accidents are caused by badly maintained electric tools.
- f) **Keep your cutting tools sharp and clean.** Carefully maintained cutting tools with sharp cutting edges will jam less and are easier to control.
- g) **Make sure to use electric tools, accessories, attachments, etc. in accordance with these instructions. Take the conditions in your work area and the job in hand into account.** Using electric tools for any purpose other than the one for which they are intended can lead to dangerous situations.

5. Service

- a) **Have your electric tool repaired only by trained personnel using only genuine spare parts.** This will ensure that your electric tool remains safe to use.

Additional Safety rules

- **Hold the equipment by the insulated handles when carrying out work during which the plug-in tool could strike concealed power cables or its own mains lead.** Contact with a live cable may also make the metal parts of the equipment live and cause an electric shock.
- The equipment must never be used in surroundings where an explosive atmosphere exists. Never mix in solvents or substances containing solvent that have flashpoints below 21 °C.

- Do not let the cable touch any parts of your body.
- Only use the extension cable approved for use in the working area.
- The unit must only be started and stopped when it is inside a mixing vessel. Ensure that the mixing vessel is placed on a solid, secure base.
- Never reach into the mixing vessel with your hands or any other object during the mixing process.
- We recommend that you always wear industrial safety gloves and safety goggles when working with the mixer.
- Wearing close-fitting clothes is mandatory.
- Always allow for reaction torque
- The appliance is to be fused with a residual current protective device (RCD) with rated residual current of no more than 10mA, to avoid danger. Test this at regular intervals.

Residual risks

Even when the equipment is used properly, a certain residual hazard cannot be ruled out. The following potential dangers may arise in connection with the equipment's design and construction:

- Contact with the rotating tool (injuries through crushing)
- Reaching into the tool while it is rotating (injuries through cutting)
- Damage to hearing if the compulsory hearing protection is not used
- Electric shock upon contact with non-insulated electrical parts.

If the instructions listed in the operating instructions are not adhered to, improper handling of the equipment may result in other residual risks.

Do not lose these safety instructions

3. Layout and items supplied

3.1 Layout (Fig. 1/2)

1. On/Off switch
2. Locking knob
3. Handle
4. Open-ended wrench for changing the mixing tool
5. Mixer holder
6. Mixer

3.2 Items supplied

- Open the packaging and take out the equipment with care.
- Remove the packaging material and any packaging and/or transportation braces (if available).
- Check to see if all items are supplied.
- Inspect the equipment and accessories for transport damage.
- If possible, please keep the packaging until the end of the guarantee period.

Important!

The equipment and packaging material are not toys. Do not let children play with plastic bags, foils or small parts. There is a danger of swallowing or suffocating!

- Paint and Mortar Mixer PFMR 1400 A1
- Mixing tool
- 2 open-ended wrench for changing the mixing tool

4. Proper use

The machine has been designed to mix liquid and powder building materials such as paint, mortar, adhesive, plaster and similar substances. The relevant mixing action (which depends on the consistency of the materials and the quantity that has to be mixed) must be set up for the appropriate mixing tool.

The equipment is to be used only for its prescribed purpose. Any other use is deemed to be a case of misuse. The user / operator and not the manufacturer will be liable for any damage or injuries of any kind caused as a result of this.

Please note that our equipment has not been designed for use in commercial, trade or industrial applications. Our warranty will be voided if the machine is used in commercial, trade or industrial businesses or for equivalent purposes.

5. Technical data

Mains voltage: 230 V ~ 50 Hz
 Power input: 1400 W
 Idling speed: 0-750 min⁻¹
 Mixing tool mount: M 14
 Protection class: II/□
 Weight excluding mixing tool: 3.85 kg

Sound and vibration

Sound and vibration values were measured in accordance with EN 60745.

L_{pA} sound pressure level 84.5 dB(A)
 K_{pA} uncertainty 3 dB
 L_{WA} sound power level 95.5 dB(A)
 K_{WA} uncertainty 3 dB

Wear ear-muffs.

The impact of noise can cause damage to hearing.

Total vibration values (vector sum of three directions) determined in accordance with EN 60745.

Mixing of paint and mortar

Vibration emission value $a_h = 2.92 \text{ m/s}^2$
 K uncertainty = 1.5 m/s^2

Warning!

The specified vibration value was established in accordance with a standardized testing method. It may change according to how the electric equipment is used and may exceed the specified value in exceptional circumstances.

The specified vibration value can be used to compare the equipment with other electric power tools.

The specified vibration value can be used for initial assessment of a harmful effect.

Keep the noise emissions and vibrations to a minimum.

- Only use appliances which are in perfect working order.
- Service and clean the appliance regularly.
- Adapt your working style to suit the appliance.
- Do not overload the appliance.
- Have the appliance serviced whenever necessary.
- Switch the appliance off when it is not in use.
- Wear protective gloves.

Residual risks

Even if you use this electric power tool in accordance with instructions, certain residual risks cannot be ruled out. The following hazards may arise in connection with the equipment's construction and layout:

1. Lung damage if no suitable protective dust mask is used.
2. Damage to hearing if no suitable ear protection is used.
3. Health damage caused by hand-arm vibrations if the equipment is used over a prolonged period or is not properly guided and maintained.

6. Before starting the equipment

Before you connect the equipment to the mains supply make sure that the data on the rating plate are identical to the mains data.

Always pull the power plug before making adjustments to the equipment.

Assembly of the mixing tool (Fig. 2):

- Screw mixing tool part (6a) securely to mixing tool part (6b).
- Then screw the mixing tool (6) into the mount (5).
- Use 2 open ended wrenches to do this (4).
- With one open ended wrench, hold the mount (5) securely. With the other, tighten the mixing tool (6).
- In order to remove the mixing tool, proceed in reverse order.

7. Operation

7.1 ON/OFF switch (Fig. 3/Item 1)

- First fit a suitable mixing tool (6) to the appliance (see 6).
- Connect the mains plug to a suitable socket.

To switch on:

Press the ON/OFF switch (1)

To switch off:

Release the ON/OFF switch (1)

Switching on continuous operation:

Secure the ON/OFF switch (1) with the locking button (2).

Switching off continuous operation:

Press the ON/OFF switch (1) briefly.

7.2 Adjusting the speed (Fig. 3/Item 1)

- You can infinitely vary the speed whilst using the tool.
- Select the speed by applying a greater or lesser pressure to the ON/OFF switch (1).

7.3 Working with the mixer

Immerse the mixing tool carefully (with a reduced speed) into the material you want to mix and take equal care when you take it out again. You can increase the speed again once the mixing tool is fully immersed. Move the mixing tool through the container during the mixing operation and continue mixing until all the material has been thoroughly mixed. When you are finished with your mixing work, clean the mixing tool and the container. Use a dry rag to wipe splashes of material off of the equipment.

8. Replacing the power cable

If the power cable for this equipment is damaged, it must be replaced by the manufacturer or its after-sales service or similarly trained personnel to avoid danger.

9. Cleaning, maintenance and ordering of spare parts

Always pull out the mains power plug before starting any cleaning work.

9.1 Cleaning

- Keep all safety devices, air vents and the motor housing free of dirt and dust as far as possible. Wipe the equipment with a clean cloth or blow it with compressed air at low pressure.
- We recommend that you clean the device immediately each time you have finished using it.
- Clean the equipment regularly with a moist cloth and some soft soap. Do not use cleaning agents or solvents; these could attack the plastic parts of the equipment. Ensure that no water can seep into the device.

9.2 Carbon brushes

In case of excessive sparking, have the carbon brushes checked only by a qualified electrician. Important! The carbon brushes should not be replaced by anyone but a qualified electrician.



For EU countries only

9.3 Maintenance

There are no parts inside the equipment which require additional maintenance.

9.4 Ordering replacement parts:

Please quote the following data when ordering replacement parts:

- Type of machine
- Article number of the machine
- Identification number of the machine

For our latest prices and information please go to www.isc-gmbh.info

Never place any electric power tools in your household refuse.

To comply with European Directive 2002/96/EC concerning old electric and electronic equipment and its implementation in national laws, old electric power tools have to be separated from other waste and disposed of in an environment-friendly fashion, e.g. by taking to a recycling depot.

Recycling alternative to the return request:

As an alternative to returning the equipment to the manufacturer, the owner of the electrical equipment must make sure that the equipment is properly disposed of if he no longer wants to keep the equipment. The old equipment can be returned to a suitable collection point that will dispose of the equipment in accordance with the national recycling and waste disposal regulations. This does not apply to any accessories or aids without electrical components supplied with the old equipment.

10. Storage

Store the equipment and accessories out of children's reach in a dark and dry place at above freezing temperature. The ideal storage temperature is between 5 and 30 °C. Store the electric tool in its original packaging.

11. Disposal and recycling

The unit is supplied in packaging to prevent its being damaged in transit. This packaging is raw material and can therefore be reused or can be returned to the raw material system.

The unit and its accessories are made of various types of material, such as metal and plastic. Defective components must be disposed of as special waste. Ask your dealer or your local council.

12. Declaration of conformity

Einhell Germany AG · Wiesenweg 22 · D-94405 Landau/Isar



Konformitätserklärung

- | | |
|--|---|
| D erklärt folgende Konformität gemäß EU-Richtlinie und Normen für Artikel | PL deklaruje zgodność wymienionego poniżej artykułu z następującymi normami na podstawie dyrektywy WE. |
| GB explains the following conformity according to EU directives and norms for the following product | BG декларира съответното съответствие съгласно Директива на ЕС и норми за артикул |
| F déclare la conformité suivante selon la directive CE et les normes concernant l'article | LV paskaidro šādu atbilstību ES direktīvai un standartiem |
| I dichiara la seguente conformità secondo la direttiva UE e le norme per l'articolo | LT apibūdina šį atitikimą EU reikalavimams ir prekės normoms |
| NL verklaart de volgende overeenstemming conform EU richtlijn en normen voor het product | RO declară următoarea conformitate conform directivei UE și normelor pentru articolul |
| E declara la siguiente conformidad a tenor de la directiva y normas de la UE para el artículo | GR δηλώνει την ακόλουθη συμμόρφωση σύμφωνα με την Οδηγία ΕΚ και τα πρότυπα για το προϊόν |
| P declara a seguinte conformidade, de acordo com a directiva CE e normas para o artigo | HR potvrđuje sljedeću usklađenost prema smjernicama EU i normama za artikl |
| DK atstæterer følgende overensstemmelse i medfør af EU-direktiv samt standarder for artikel | Izjava o sukladnosti za ovaj proizvod dostupna je na internet stranici www.lidl.hr. |
| S förklarar följande överensstämmelse enl. EU-direktiv och standarder för artikeln | BIH potvrđuje sljedeću usklađenost prema smjernicama EU i normama za artikl |
| FIN vakuuttaa, että tuote täyttää EU-direktiivin ja standardien vaatimukset | RS potvrđuje sledeću usklađenost prema smernicama EZ i normama za artikla |
| EE tõendab toote vastavust EL direktiivile ja standarditele | RUS следующим удостоверяется, что следующие продукты соответствуют директивам и нормам ЕС |
| CZ vydává následující prohlášení o shodě podle směrnice EU a norem pro výrobek | UKR проголошує про зазначену нижче відповідність виробу директивам та стандартам ЄС на виріб |
| SLO potrjuje sledečo skladnost s smernico EU in standardi za izdelek | MK ja изјавува следната сообразност согласно ЕУ-директивата и нормите за артикли |
| SK vydáva nasledujúce prehlásenie o zhode podľa smernice EÚ a noriem pre výrobok | TR Ürünü ile ilgili AB direktifleri ve normları gereğince aşağıda açıklanan uygunluğu belirtir |
| H a cikkekez az EU-irányvonal és Normák szerint a következő konformitást jelenti ki | N erklærer følgende samsvar i henhold til EU-direktivet og standarder for artikkel |
| | IS Lýsir uppfyllingu EU-reglna og annarra staðla vöru |

Farb- und Mörtelrührer PFMR 1400 A1 (Parkside)

- | | |
|---|--|
| <input type="checkbox"/> 87/404/EC_2009/105/EC | <input checked="" type="checkbox"/> 2006/42/EC |
| <input type="checkbox"/> 2005/32/EC_2009/125/EC | <input type="checkbox"/> Annex IV
Notified Body:
Notified Body No.:
Reg. No.: |
| <input type="checkbox"/> 2006/95/EC | |
| <input type="checkbox"/> 2006/28/EC | <input type="checkbox"/> 2000/14/EC_2005/88/EC |
| <input checked="" type="checkbox"/> 2004/108/EC | <input type="checkbox"/> Annex V |
| <input type="checkbox"/> 2004/22/EC | <input type="checkbox"/> Annex VI |
| <input type="checkbox"/> 1999/5/EC | Noise measured: LWA = dB (A); guaranteed LWA = dB (A) |
| <input type="checkbox"/> 97/23/EC | P = KW; L/Ø = cm |
| <input type="checkbox"/> 90/396/EC_2009/142/EC | Notified Body: |
| <input type="checkbox"/> 89/686/EC_96/58/EC | <input type="checkbox"/> 2006/28/EC |
| <input checked="" type="checkbox"/> 2011/65/EC | Emission No.: |

**Standard references: EN 60745-1; EN 60745-2-1;
EN 55014-1; EN 55014-2; EN 61000-3-2; EN 61000-3-3**

Landau/Isar, den 14.09.2011

Weichselgartner/General-Manager

Unger/Product-Management

First CE: 11
Art.-No.: 42.585.91 I.-No.: 11011
Subject to change without notice

Archive-File/Record: NAPR001960
Documents registrar: Georg Riedel
Wiesenweg 22, D-94405 Landau/Isar

13. Warranty certificate

Dear Customer,

All of our products undergo strict quality checks to ensure that they reach you in perfect condition. In the unlikely event that your device develops a fault, please contact our service department at the address shown on this guarantee card. Of course, if you would prefer to call us then we are also happy to offer our assistance under the service number printed below. Please note the following terms under which guarantee claims can be made:

1. These guarantee terms cover additional guarantee rights and do not affect your statutory warranty rights. We do not charge you for this guarantee.
2. Our guarantee only covers problems caused by material or manufacturing defects, and it is restricted to the rectification of these defects or replacement of the device. Please note that our devices have not been designed for use in commercial, trade or industrial applications. Consequently, the guarantee is invalidated if the equipment is used in commercial, trade or industrial applications or for other equivalent activities. The following are also excluded from our guarantee: compensation for transport damage, damage caused by failure to comply with the installation/assembly instructions or damage caused by unprofessional installation, failure to comply with the operating instructions (e.g. connection to the wrong mains voltage or current type), misuse or inappropriate use (such as overloading of the device or use of non-approved tools or accessories), failure to comply with the maintenance and safety regulations, ingress of foreign bodies into the device (e.g. sand, stones or dust), effects of force or external influences (e.g. damage caused by the device being dropped) and normal wear resulting from proper operation of the device. This applies in particular to rechargeable batteries for which we nevertheless issue a guarantee period of 12 months. The guarantee is rendered null and void if any attempt is made to tamper with the device.
3. The guarantee is valid for a period of 3 years starting from the purchase date of the device. Guarantee claims should be submitted before the end of the guarantee period within two weeks of the defect being noticed. No guarantee claims will be accepted after the end of the guarantee period. The original guarantee period remains applicable to the device even if repairs are carried out or parts are replaced. In such cases, the work performed or parts fitted will not result in an extension of the guarantee period, and no new guarantee will become active for the work performed or parts fitted. This also applies when an on-site service is used.
4. In order to assert your guarantee claim, please send your defective device postage-free to the address shown below. Please enclose either the original or a copy of your sales receipt or another dated proof of purchase. Please keep your sales receipt in a safe place, as it is your proof of purchase. It would help us if you could describe the nature of the problem in as much detail as possible. If the defect is covered by our guarantee then your device will either be repaired immediately and returned to you, or we will send you a new device.

Of course, we are also happy offer a chargeable repair service for any defects which are not covered by the scope of this guarantee or for units which are no longer covered. To take advantage of this service, please send the device to our service address.

Innehållsförteckning

1. Inledning.....	17
2. Säkerhetsanvisningar.....	17
3. Beskrivning av maskinen samt leveransomfattning	19
4. Ändamålsenlig användning	20
5. Tekniska data.....	20
6. Före användning.....	21
7. Använda sågen.....	21
8. Byta ut nätkabeln	21
9. Rengöring, Underhåll och reservdelsbeställning	21
10. Förvaring	22
11. Skrotning och återvinning.....	22
12. Förklaring om överensstämmelse.....	23
13. Garantibevis.....	24

Eftertryck eller annan duplicering av dokumentation och medföljande underlag för produkterna, även utdrag, är endast tillåtet med uttryckligt tillstånd från iSC GmbH.

Med förbehåll för tekniska ändringar.



Varning - Läs igenom bruksanvisningen för att sänka risken för skador



Bär hörselskydd. Buller kan leda till att hörseln förstörs.



Bär dammskyddsmask. Vid bearbetning av trä och andra material finns det risk för att hälsovådligt damm uppstår. Asbesthaltiga material får inte bearbetas!



Använd skyddsglasögon. Medan du använder elverktyget finns det risk för att gnistor uppstår eller att splinter, spån och damm slungas ut ur verktyget. Dessa kan leda till att du blir blind.

1. Inledning

⚠ Obs!

Innan maskinen kan användas måste särskilda säkerhetsanvisningar beaktas för att förhindra olyckor och skador. Läs därför noggrant igenom denna bruksanvisning och dessa säkerhetsanvisningar. Förvara dem på ett säkert ställe så att du alltid kan hitta önskad information. Om maskinen ska överlätas till andra personer måste även denna bruksanvisning och dessa säkerhetsanvisningar medfölja. Vi övertar inget ansvar för olyckor eller skador som har uppstått om denna bruksanvisning eller säkerhetsanvisningarna åsidosätts.

2. Säkerhetsanvisningar

⚠ Varning!

Läs alla säkerhetsanvisningar och instruktioner. Försummelser vid iakttagandet av säkerhetsanvisningarna och instruktionerna kan förorsaka elstöt, brand och/eller svåra skador. **Förvara alla säkerhetsanvisningar och instruktioner för framtiden.**

Begreppet "elverktyg" som anges i säkerhetsanvisningarna gäller för såväl nätdrivna elverktyg (med nätkabel) som för batteridrivna elverktyg (utan nätkabel).

1. Arbetsplats säkerhet

- a) **Se till att din arbetsplats är ren och har tillräcklig belysning.** Dålig ordning samt otillräcklig belysning på arbetsplatsen kan leda till olycksfall.
- b) **Använd inte detta elverktyg i explosiv miljö där brännbara vätskor, gaser eller damm finns.** Elverktyg genererar gnistor som kan antända damm eller ångor.
- c) **Se till att barn och andra personer inte befinner sig i närheten av elverktyget när detta används.** Om du distraheras finns det risk för att du förlorar kontrollen över elverktyget.

2. Elektrisk säkerhet

- a) **Elverktygets stickkontakt måste passa i stickuttaget. Stickkontakten får aldrig ändras på något sätt. Använd inga adapter-stickkontakter till jordade elverktyg.** Riskerna för elektriska slag är lägre om stickkontaktarna inte har ändrats och om passande stickuttag används.
- b) **Undvik kroppskontakt med jordade ytor, t ex rör, radiatorer, spisar och kylskåp.** Det finns större risk för elektriska slag om din kropp är elektriskt jordad.
- c) **Se till att elverktygen inte utsätts för regn eller annan fukt.** Om vatten tränger in i ett elverktyg höjs risken för elektriska slag.
- d) **Använd endast kabeln till de syften den är avsedd för, dvs. använd inte kabeln till att bära eller hänga upp elverktyget, eller till att dra ut stickkontakten ur stickuttaget. Se till att kabeln inte kommer i närheten av värme, olja, skarpa kanter eller rörliga maskindelar.** Om kabeln har skadats eller snotts runt höjs risken för elektriska slag.
- e) **Om du jobbar med ett elverktyg utomhus, får du endast använda en förlängningskabel som är avsedd för utomhusbruk.** Med en förlängningskabel som är lämplig för utomhusbruk sänks risken för elektriska slag.
- f) **Om det inte går att undvika att använda elverktyget i fuktig omgivning, måste du använda en jordfelsbrytare.** Om en jordfelsbrytare används sänks risken för elektriska slag.

3. Säkerhet för personer

- a) **Var uppmärksam och var medveten om vilka arbetsuppgifter du vill utföra. Var försiktig när du hanterar elverktyget. Använd aldrig elverktyget om du är trött eller om du är påverkad av droger, alkohol eller läkemedel.** Ett ögonblicks ouppmärksamhet när du använder elverktyget kan leda till allvarliga personskador.
- b) **Bär personlig skyddsutrustning och alltid skyddsglasögon.** Om du bär

personlig skyddsutrustning, t ex ansiktsmask, halkfria skyddsskor, skyddshjälm eller hörselkydd, beroende på typ och användning av elverktyg, kan risken för personskador sänkas.

- c) **Undvik att starta upp elverktyget oavsiktligt. Kontrollera att elverktyget har slagits ifrån innan du ansluter det till elnätet eller batterier. Detsamma gäller om du ska lyfta upp eller bära elverktyget.** Det finns risk för olyckor om du håller ett finger på strömbrytaren medan du bär elverktyget, eller om strömbrytaren är tillslagen när du ansluter elverktyget till elnätet.
- d) **Ta bort inställningsverktygen eller nycklarna innan du slår på elverktyget.** Ett verktyg eller en nyckel som sitter i en roterande del kan leda till personskador.
- e) **Undvik onormala kroppshållningar. Se till att du står stabilt och håll alltid balansen.** Därigenom kan du bättre kontrollera elverktyget i en oväntad situation.
- f) **Bär lämpliga kläder. Bär aldrig löst sittande kläder eller smycken. Se till att hår, kläder och handskar inte befinner sig i närheten av rörliga delar.** Lösa kläder, smycken eller långt hår kan fastna i rörliga delar.
- g) **Om dammsugare och anläggningar för dammupptagning kan monteras måste du övertyga dig om att dessa har anslutits och används på föreskrivet sätt.** Med dammsugning är det möjligt att reducera personriskerna pga dammbildning.

4. Använda och hantera det elverktyget

- a) **Överbelasta inte elverktyget. Använd endast elverktyget till avsedda arbetsuppgifter.** Ett passande elverktyg fungerar bäst och säkrast inom det angivna effektområdet.
- b) **Använd aldrig elverktyget om strömbrytaren är defekt.** Ett elverktyg som inte längre kan slås på resp. ifrån är farligt och måste därför repareras.
- c) **Dra ut stickkontakten ur stickuttaget och/eller dra ut batteriet innan du**

gör några inställningar på elverktyget, byter tillbehör eller lägger undan elverktyget. Denna försiktighetsåtgärd förhindrar att elverktyget startar oavsiktligt.

- d) **När ett elverktyg inte används ska det förvaras utom räckhåll för barn. Låt endast sådana personer använda elverktyget som känner till det och som har läst igenom dessa anvisningar.** Elverktyg är farliga om de används av oerfarna personer.
- e) **Vårda dina elverktyg noggrant. Kontrollera att rörliga delar fungerar på avsett vis och inte kläms fast, om delar har brutits loss eller har skadats så svårt att elverktygets funktion är begränsad. Lämna in elverktyget för reparation av skadade delar innan du använder elverktyget.** Många olyckor kan härledas till dåligt underhåll på elverktyg.
- f) **Se till att skärverktygen är vassa och rena.** Skärverktyg som underhålls noggrant och som har vassa skär kläms inte fast så fort och underlättar dessutom arbetet.
- g) **Använd elverktyg, tillbehör, insatsverktyg osv enligt dessa instruktioner. Beakta arbetsvillkoren och vilka arbetsuppgifter som ska utföras.** Om elverktyg används till andra ändamål än de som är avsedda, finns det risk för att farliga situationer uppstår.

5. Service

- a) **Låt endast kvalificerad fackpersonal reparera ditt elverktyg. Endast original-reservdelar får användas.** Därmed kan man garantera att elverktyget fortfarande är säkert.

Särskilda säkerhetsanvisningar

- **Håll fast maskinen vid de isolerade handtagen när du jobbar om det finns risk för att insatsverktyget kommer i kontakt med dolda strömkablar eller den egna nätkabeln.** Kontakt med en spänningsförande ledning kan innebära att även maskinens metalldelar är under spänning vilket leder till elektriskt slag.

- Maskinen får inte användas i en omgivning som är utsatt för explosionsfarlig atmosfär. Blanda inga lösningsmedel eller lösningsmedelhaltiga ämnen med en flampunkt under 21 °C.
- Linda inte upp kablarna runt några kroppsdelar.
- Använd endast en förlängningskabel som är godkänd för aktuellt arbetsområde.
- Låt maskinen varva upp resp. ned endast i blandningsbehållaren. Se till att blandningsbehållaren står stabilt och säkert.
- Grip inte in i blandningsbehållaren med händer eller med föremål medan du blandar.
- Vi rekommenderar att du bär arbetshandskar och skyddsglasögon medan du använder omröraren.
- Bär åtsittande kläder enligt gällande föreskrifter.
- Var beredd på maskinens reaktionsvridmoment.
- För att undvika risker för personer ska maskinen kopplas till en jordfelsbrytare (FI) med en utlösningström på max 10 mA. Kontrollera detta med jämna mellanrum.

Kvarstående risker

Även om maskinen används på föreskrivet sätt finns alltid vissa kvarstående risker som inte kan uteslutas helt. Beroende på maskinens typ och konstruktion kan följande potentiella faror uppstå:

- Kontakt med det roterande verktyget (klämskador)
- Ingrepp i det roterande verktyget (skärskador)
- Risk för hörselskador om inget föreskrivet hörselskydd används
- Risk för elektriska slag om oisolerade elektriska komponenter rörs vid.

Om instruktionerna som anges i din bruksanvisning inte beaktas, finns det risk för andra kvarstående risker på grund av ej ändamålsenlig användning.

Förvara säkerhetsanvisningarna på ett säkert ställe.

3. Beskrivning av maskinen samt leveransomfattning

3.1 Beskrivning av maskinen (bild 1/2)

1. Strömbrytare
2. Låsknapp
3. Handtag
4. Gaffelnöckel för byte av blandningsverktyg
5. Fäste till blandningsverktyg
6. Blandningsverktyg

3.2 Leveransomfattning

- Öppna förpackningen och ta försiktigt ut produkten ur förpackningen.
- Ta bort förpackningsmaterialet samt förpacknings- och transportsäkringar (om förhanden).
- Kontrollera att leveransen är komplett.
- Kontrollera om produkten eller tillbehörsdelen har skadats i transporten.
- Spara om möjligt på förpackningen tills garanti tiden har gått ut.

Varning!

Produkten och förpackningsmaterialet är ingen leksak! Barn får inte leka med plastpåsar, folie eller smådelar! Risk för att barn sväljer delar och kvävs!

- Färg- och bruksomrörare PFMR 1400 A1
- Blandningsverktyg
- 2 gaffelnöcklar för byte av blandningsverktyg

4. Ändamålsenlig användning

Maskinen är avsedd för blandning av flytande och pulverformiga byggmaterial som färg, bruk, lim, puts och liknande material. Använd rätt blandningsverktyg med lämplig blandningsverkan beroende på blandningsmängden och materialets konsistens.

Maskinen får endast användas till sitt avsedda ändamål. Användningar som sträcker sig utöver detta användningsområde är ej ändamålsenliga. För materialskador eller personskador som resulterar av sådan användning ansvarar användaren/operatören själv. Tillverkaren påtar sig inget ansvar.

Tänk på att våra produkter endast får användas till ändamålsenligt syfte och inte har konstruerats för yrkesmässig, hantverksmässig eller industriell användning. Vi ger därför ingen garanti om produkten ska användas inom yrkesmässiga, hantverksmässiga eller industriella verksamheter eller vid liknande aktiviteter.

5. Tekniska data

Nätspänning 230 V ~ 50 Hz
 Effektförbrukning 1 400 W
 Tomgångsvarvtal 0-750 min⁻¹
 Fäste till blandningsverktyg M14
 Skyddsklass II/□
 Vikt utan blandningsverktyg 3,85 kg

Buller och vibration

Buller- och vibrationsvärden har bestämts enligt EN 60745.

Ljudtrycksnivå L_{pA} 84,5 dB(A)
 Osäkerhet K_{pA} 3 dB
 Ljudeffektnivå L_{WA} 95,5 dB(A)
 Osäkerhet K_{WA} 3 dB

Bär hörselskydd.

Buller kan leda till att hörseln förstörs.

Totala vibrationsvärden (vektorsumma i tre riktningar) har bestämts enligt EN 60745.

Omrörning av färg och bruk

Vibrationsemissionsvärde $a_h = 2,92 \text{ m/s}^2$
 Osäkerhet $K = 1,5 \text{ m/s}^2$

Varning!

Vibrationsemissionsvärdet som anges har mätts upp med en standardiserad provningsmetod och kan variera beroende på vilket sätt som elverktyget används. I undantagsfall kan det faktiska värdet avvika från det angivna värdet.

Vibrationsemissionsvärdet som anges kan användas om man vill jämföra olika elverktyg.

Vibrationsemissionsvärdet som anges kan även användas för en första bedömning av inverkan från elverktyget.

Begränsa uppkomsten av buller och vibration till ett minimum!

- Använd endast intakta maskiner.
- Underhåll och rengör maskinen regelbundet.
- Anpassa ditt arbetssätt till maskinen.
- Överbelasta inte maskinen.
- Lämna in maskinen för översyn vid behov.
- Slå ifrån maskinen om den inte används.
- Bär handskar.

Kvarstående risker

Kvarstående risker föreligger alltid även om detta elverktyg används enligt föreskrift. Följande risker kan uppstå på grund av elverktygets konstruktion och utförande:

1. Lungskador om ingen lämplig dammfiltermask används.
2. Hörselskador om inget lämpligt hörselskydd används.
3. Hälsoskador som uppstår av hand- och armvibrationer om maskinen används under längre tid eller om det inte hanteras och underhålls enligt föreskrift.

6. Före användning

Innan du ansluter maskinen måste du övertyga dig om att uppgifterna på typskylten stämmer överens med nätets data.

Dra alltid ut stickkontakten innan du gör några inställningar på maskinen.

Montera blandningsverktyget (bild 2)

- Skruva samman verktygets del (6a) och delen (6b).
- Skruva därefter in blandningsverktyget (6) i fästet (5).
- Använd två gaffelnnycklar (4).
- Håll fast fästet (5) till blandningsverktyget med den ena gaffelnnyckeln, och blandningsverktyget (6) med den andra.
- Gör på omvänt sätt för att lossa på blandningsverktyget.

7. Använda sägen

7.1 Strömbrytare (bild 3/pos. 1)

- Montera först ett lämpligt blandningsverktyg (6) i maskinen (se punkt 6).
- Anslut stickkontakten till ett lämpligt vägguttag.

Slå på:

Tryck på strömbrytaren (1).

Slå ifrån:

Släpp strömbrytaren (1).

Koppla in kontinuerlig drift:

Tryck på strömbrytaren (1) och spärra med lås-knappen (2).

Koppla ifrån kontinuerlig drift:

Tryck in strömbrytaren (1) kort.

7.2 Ställa in varvtalet (bild 3/pos. 1)

- Du kan ställa in varvtalet steglöst under användningen.
- Bestäm varvtalet genom att trycka in strömbrytaren (1) mer eller mindre kraftigt.

7.3 Arbeta med omröraren

Sänk försiktigt ned blandningsverktyget (med reducerat varvtal) i materialet. Var även försiktig när du lyfter upp verktyget ur materialet. Efter att blandningsverktyget har sänkts ned helt kan du höja hastigheten. Kör runt med blandningsverktyget i behållaren medan materialet blandas samman och blanda materialet tills det har blandats ordentligt. Rengör blandningsverktyget och behållaren när materialet har blandats färdigt. Använd en torr tygduk för att torka av materialstänk från maskinen.

8. Byta ut nätkabeln

Om nätkabeln till denna produkt har skadats måste den bytas ut av tillverkaren, kundtjänst eller av en annan person med liknande behörighet eftersom det annars finns risk för personskador.

9. Rengöring, Underhåll och reservdelsbeställning

Dra alltid ut stickkontakten inför alla rengöringsarbeten.

9.1 Rengöra maskinen

- Håll skyddsanordningarna, ventilationsöppningarna och motorkåpan i så damm- och smutsfritt skick som möjligt. Torka av maskinen med en ren duk eller blås av den med tryckluft med svagt tryck.
- Vi rekommenderar att du rengör maskinen efter varje användningstillfälle.
- Rengör maskinen med jämna mellanrum med en fuktig duk och en aning såpa. Använd inga rengörings- eller lösningsmedel. Dessa kan skada maskinens plastdelar. Se till att inga vätskor tränger in i maskinens inre.

9.2 Kolborstar

Vid överdrivning gnistbildning måste du låta en behörig elinstallatör kontrollera kolborstarna. Obs! Kolborstarna får endast bytas ut av en behörig elinstallatör.

9.3 Underhåll

I maskinens inre finns inga delar som kräver underhåll.



Endast för EU-länder

9.4 Reservdelsbeställning

Lämna följande uppgifter vid beställning av reservdelar:

- Maskintyp
- Maskinens artikel-nr.
- Maskinens ident-nr.

Aktuella priser och ytterligare information finns på www.isc-gmbh.info

Kasta inte elverktyg i hushållssoporna.

Enligt det europeiska direktivet 2002/96/EG om avfall som utgörs av eller innehåller elektriska eller elektroniska produkter och dess tillämpning i den nationella lagstiftningen, måste förbrukade elverktyg källsorteras och lämnas in för miljövänlig återvinning.

10. Förvaring

Förvara produkten och dess tillbehör på en mörk, torr och frostfri plats samt otillgängligt för barn. Den bästa förvaringstemperaturen är mellan 5 och 30 °C. Förvara elverktyget i originalförpackningen.

Återvinnings-alternativ till begäran om återsändning:

Som ett alternativ till returering är ägaren av elutrustningen skyldig att bidra till ändamålsenlig avfallshantering för det fall att utrustningen ska skrotas. Efter att den förbrukade utrustningen har lämnats in till en avfallsstation kan den omhändertas i enlighet med gällande nationella lagstiftning om återvinning och avfallshantering. Detta gäller inte för tillbehörsdelar och hjälpmedel utan elektriska komponenter vars syfte har varit att komplettera den förbrukade utrustningen.

11. Skrotning och återvinning

Produkten ligger i en förpackning som fungerar som skydd mot transportskador. Denna förpackning består av olika material som kan återvinnas. Lämna in förpackningen till ett insamlingsställe för återvinning. Produkten och tillbehören består av olika material som t ex metaller och plaster. Lämna in defekta komponenter till ett godkänt insamlingsställe i din kommun. Hör efter med din kommun eller med försäljaren i din specialbutik.

12.Förklaring om överensstämmelse

Einhell Germany AG · Wiesenweg 22 · D-94405 Landau/Isar



Konformitätserklaring

D	erklart folgende Konformitat gema EU-Richtlinie und Normen fur Artikel	PL	deklaruje zgodno wymienionego poniej artykuu z nastepujacymi normami na podstawie dyrektywy WE.
GB	explains the following conformity according to EU directives and norms for the following product	BG	декларира съответното съответствие съгласно Директива на ЕС и норми за артикул
F	dclare la conformit suivante selon la directive CE et les normes concernant l'article	LV	paskaidro adu atbilstību ES direktīvai un standartiem
I	dichiara la seguente conformit secondo la direttiva UE e le norme per l'articolo	LT	apibūdina i atitikim EU reikalavimams ir preks normoms
NL	verklaart de volgende overeenstemming conform EU richtlijn en normen voor het product	RO	declar urmtoarea conformitate conform directivei UE i normelor pentru articolul
E	declara la siguiente conformidad a tenor de la directiva y normas de la UE para el articulo	GR	hlwnei tyn aklouthei symmrfwsh symfwna me tyn Odhghia EK kai ta prtupta gia to prion
P	declara a seguinte conformidade, de acordo com a directiva CE e normas para o artigo	HR	potvrđuje sljedeću uskladenost prema smjernicama EU i normama za artikl
DK	attesterer folgende overensstemmelse i medfor af EU-direktiv samt standarder for artikel		Izjava o sukladnosti za ovaj proizvod dostupna je na internet stranici www.lidl.hr.
S	forklarar foljande overensstammelse enl. EU-direktiv och standarder for artikeln	BIH	potvrđuje sljedeću uskladenost prema smjernicama EU i normama za artikl
FIN	vakuaattaa, ett tuote tytt EU-direktiivin ja standardien vaatimukset	RS	potvrđuje sledeću uskladenost prema smernicama EZ i normama za artikla
EE	tendab toote vastavust EL direktiivile ja standarditele	RUS	следующим удостоверяется, что следующие продукты соответствуют директивам и нормам ЕС
CZ	vydav nsledující prohlsen o shod podle smrnice EU a norem pro vyrobek	UKR	проголошує про зазначену нижче вiдповiднiсть виробу директивам та стандартам ЄС на вирiб
SLO	potrjuje sledečo skladnost s smernico EU in standardi za izdelak	MK	ja izjavuva slednata soobraznost saglasno EU-direktivata i normite za artikli
SK	vydava nasledujuce prehlsenie o zhode poda smernice EU a noriem pre vyrobok	TR	rni ile ilgili AB direktifleri ve normlan geređince aađıda aıklanan uygunluđu belirtir
H	a cikkekhez az EU-irnyvonal s Normk szerint a kovetkezo konformitst jelenti ki	N	erklerer folgende samsvar i henhold til EU-direktivet og standarder for artikel
		IS	Lysir uppfyllingu EU-reglna og annarra stađla voru

Farb- und Mortelruhrer PFMR 1400 A1 (Parkside)

<input type="checkbox"/> 87/404/EC_2009/105/EC	<input checked="" type="checkbox"/> 2006/42/EC
<input type="checkbox"/> 2005/32/EC_2009/125/EC	<input type="checkbox"/> Annex IV
<input type="checkbox"/> 2006/95/EC	Notified Body:
<input type="checkbox"/> 2006/28/EC	Notified Body No.:
<input checked="" type="checkbox"/> 2004/108/EC	Reg. No.:
<input type="checkbox"/> 2004/22/EC	<input type="checkbox"/> 2000/14/EC_2005/88/EC
<input type="checkbox"/> 1999/5/EC	<input type="checkbox"/> Annex V
<input type="checkbox"/> 97/23/EC	<input type="checkbox"/> Annex VI
<input type="checkbox"/> 90/396/EC_2009/142/EC	Noise measured: LWA = dB (A); guaranteed LWA = dB (A)
<input type="checkbox"/> 89/686/EC_96/58/EC	P = KW; L/D = cm
<input checked="" type="checkbox"/> 2011/65/EC	Notified Body:
	<input type="checkbox"/> 2006/28/EC
	Emission No.:

**Standard references: EN 60745-1; EN 60745-2-1;
EN 55014-1; EN 55014-2; EN 61000-3-2; EN 61000-3-3**

Landau/Isar, den 14.09.2011

Weichselgartner/General-Manager

Unger/Product-Management

First CE: 11
Art.-No.: 42.585.91 I.-No.: 11011
Subject to change without notice

Archive-File/Record: NAPR001960
Documents registrar: Georg Riedel
Wiesenweg 22, D-94405 Landau/Isar

13. Garantibevis

Bästa kund,

Våra produkter genomgår en sträng kvalitetskontroll. Om denna produkt mot förmodan inte fungerar på rätt sätt, beklagar vi detta och ber dig att kontakta vår serviceavdelning under adressen som anges på garantikortet. Vi står även gärna till tjänst på telefon under servicenumret som anges nedan. Följande punkter gäller för att du ska kunna göra anspråk på garantin:

1. I dessa garantivillkor regleras extra garantitjänster. Garantianspråk som regleras enligt lag påverkas inte av denna garanti. Våra garantitjänster är gratis för dig.
2. Garantitjänsterna täcker endast in sådana brister som kan härledas till material- eller fabriktionsfel och är begränsade till arbetsuppgifter som syftar till att åtgärda dessa brister eller byta ut produkten. Tänk på att våra produkter endast får användas till ändamålsenligt syfte och inte har konstruerats för yrkesmässig, hantverksmässig eller industriell användning. Ett garantiavtal sluts därför ej om produkten ska användas inom yrkesmässiga, hantverksmässiga eller industriella verksamheter eller vid liknande aktiviteter. Vår garanti omfattar dessutom inte ersättning för transportskador, skador som kan härledas till missaktade monteringsanvisningar eller ej föreskriven installation, åsidosatt bruksanvisning (t ex anslutning till felaktig nätspänning eller strömart), missbruk eller ej ändamålsenliga användningar (t ex överbelastning av produkten eller användning av ej godkända insatsverktyg eller tillbehör), åsidosatta underhålls- och säkerhetsbestämmelser, främmande partiklar som har trängt in i produkten (t ex sand, sten eller damm), yttre våld eller yttre påverkan (t ex skador om produkten har fallit ned) samt normalt och användningsbundet slitage. Detta gäller särskilt för batterier som täcks av en 12 månaders garanti. Anspråk på garanti upphör att gälla om ingrepp redan har gjorts i produkten.
3. Garanti tiden uppgår till 3 år och gäller från datumet när produkten köptes. Medan garanti tiden fortfarande gäller ska anspråk på garanti ställas inom två veckor efter att defekten fastställdes. Det är inte möjligt att ställa anspråk på garanti efter att garanti tiden har löpt ut. Garanti tiden förlängs inte när produkten repareras eller byts ut, dessutom medför sådana arbeten inte att en ny garanti tid börjar gälla för produkten eller för ev. reservdelar som har monterats in. Detta gäller även vid hembesök.
4. För att du ska kunna ställa anspråk på garantin ska den defekta produkten skickas in i tillräckligt frakterat skick till adressen som anges nedan. Bifoga kvittot i original eller ett annat daterat köpebevis. Förvara därför kassakvittot på en säker plats! Beskriv orsaken till reklamationen så noggrant som möjligt. Om defekten i produkten täcks av våra garantitjänster, får du genast en reparerad eller ny apparat av oss.

Givetvis kan vi även, mot debitering, åtgärda skador som antingen inte täcks av garantin eller som har uppstått efter garanti tidens slut. Skicka in produkten till nedanstående serviceadress.

Svenska Einhell AB

Östergärde Industriområde 415

S-417 29 Göteborg

Tel.: +46 31 550 999 · Fax: +46 31 550 998

Indholdsfortegnelse

1. Indledning.....	27
2. Sikkerhedsanvisninger.....	27
3. Produktbeskrivelse og leveringsomfang	29
4. Formålsbestemt anvendelse	29
5. Tekniske data.....	30
6. Inden ibrugtagning	31
7. Betjening	31
8. Udskiftning af nettilslutningsledning	31
9. Rengøring, vedligeholdelse og reservedelsbestilling	31
10. Opbevaring.....	32
11. Bortskaffelse og genanvendelse.....	32
12. Overensstemmelseserklæring	33
13. Garantibevis.....	34

Genoptryk eller anden kopiering af dokumentation og følgedokumenter til produkter, også i uddrag, er kun tilladt med udtrykkelig tilladelse fra iSC GmbH.

Ret til tekniske ændringer forbeholdes



Advarsel Læs betjeningsvejledningen for at reducere risikoen for personskade



Brug høreværn. Støjudviklingen fra maskinen kan forårsage høretab.



Brug støvmaske. Ved bearbejdning af træ og andre materialer kan der dannes sundhedsskadeligt støv. Der må ikke arbejdes i asbestholdigt materiale!



Brug beskyttelsesbriller. Gnister, som opstår under arbejdet, eller splinter, spån og støv, som står ud fra maskinen, kan forårsage synstab.

1. Indledning

⚠️ **Vigtigt!**

Ved brug af el-værktøj er der visse sikkerhedsforanstaltninger, der skal respekteres for at undgå skader på personer og materiel. Læs derfor betjeningsvejledningen / sikkerhedsanvisningerne grundigt igennem. Opbevar betjeningsvejledningen et praktisk sted, så du altid kan tage den frem efter behov. Husk at lade betjeningsvejledningen / sikkerhedsanvisningerne følge med værktøjet, hvis du overdrager det til andre. Vi fraskriver os ethvert ansvar for skader på personer eller materiel, som måtte opstå som følge af, at anvisningerne i denne betjeningsvejledning, navnlig vedrørende sikkerhed, tilsidesættes.

2. Sikkerhedsanvisninger

⚠️ **Advarsel!**

Læs alle sikkerhedsanvisninger og øvrige anvisninger. Følges anvisningerne, navnlig sikkerhedsanvisningerne, ikke nøje som beskrevet, kan elektrisk stød, brand og/eller svære kvæstelser være følgen. **Alle sikkerhedsanvisninger og øvrige anvisninger skal gemmes.**

Begrebet „el-værktøj“, som anvendes i sikkerhedsanvisningerne, henfører til netdrevne elektriske værktøjer (med netledning) og batteridrevne elektriske værktøjer (uden netledning).

1. Sikkerhed på arbejdsstedet

- Hold arbejdsstedet rent og godt oplyst.** Rod eller manglende belysning kan medføre personskade.
- Brug ikke el-værktøjet i eksplosionsfarlige omgivelser, hvor der befinder sig brændbare væsker, gasser eller pulver.** El-værktøj frembringer gnister, som kan antænde pulver eller dampe.
- Hold børn og øvrige personer på afstand, mens du arbejder med værktøjet.** Hvis du distraheres i dit arbejde, kan du miste kontrollen over værktøjet.

2. Elektrisk sikkerhed

- El-værktøjets forbindelsesstik skal passe til stikkontakten. Stikket må under ingen omstændigheder ændres. Brug ikke adapterstik sammen med beskyttelsesjordet el-værktøj.** Uforandrede stik og brug af rigtige stikkontakter nedsætter risikoen for elektrisk stød.
- Undgå kropskontakt med jordede flader, såsom rør, varmeapparater, komfurer og køleskabe.** Risikoen for at få elektrisk stød er større, hvis din krop er i forbindelse med jord.
- El-værktøj må ikke udsættes for regn eller fugt.** Trænger der vand ind i et el-værktøj, øger det risikoen for elektrisk stød.
- Brug ikke ledningen til andre formål end det tiltænkte: El-værktøjet må ikke bæres i ledningen eller hænges op i den; tag fat i selve stikket, når du trækker stikket ud af stikkontakten. Hold ledningen væk fra høj varme, olie, skarpe kanter og bevægelige værktøjsdele.** Beskadigede eller omviklede ledninger øger risikoen for elektrisk stød.
- Ved arbejde med el-værktøj i det fri må der kun benyttes forlængerledninger, som er beregnet til udendørs brug.** Brug af forlængerledninger, som er beregnet til udendørs brug, vil nedsætte risikoen for elektrisk stød.
- Hvis brug af el-værktøjet i fugtige omgivelser ikke kan undgås, skal anvendes et fejlstrømsrelæ.** Et fejlstrømsrelæ nedsætter risikoen for elektrisk stød.

3. Personsikkerhed

- Vær hele tiden årvågen, vær opmærksom på, hvad du foretager dig, og brug din sunde fornuft, når du arbejder med el-værktøj. Arbejd ikke med el-værktøjet, hvis du er træt eller er påvirket af stoffer, alkohol eller medicin.** Et enkelt øjeblik uopmærksomhed kan medføre alvorlig kvæstelse.
- Brug personligt beskyttelsesudstyr og altid sikkerhedsbriller.** Brug af personligt beskyttelsesudstyr, såsom støvmaske, skrid-

sikre sikkerhedssko, sikkerhedshjelm og høreværn - alt efter el-værktøjets art og arbejdsituationen - nedsætter risikoen for kvæstelse.

- c) **Undgå utilsigtet start af el-værktøjet. Vær sikker på, at el-værktøjet er slukket, inden du slutter det til strømforsyningsnettet og/eller akkumulatorbatteriet, og inden du tager det op eller bærer det.** Hvis du har fingeren på afbryderknappen, når du bærer el-værktøjet, eller slutter du værktøjet til strømforsyningen, mens det er tændt, kan det medføre persons-kade.
- d) **Fjern indstillingsværktøj eller skruenøgler, inden du tænder for el-værktøjet.** Sidder der et stykke værktøj eller en nøgle i en roterende del af el-værktøjet, kan det medføre kvæstelse.
- e) **Undgå abnorme kropsholdninger. Sørg for at stå stabilt og hele tiden være i god balance.** Så vil du bedre kunne styre el-værktøjet, hvis der skulle opstå en uventet situation.
- f) **Bær egnet tøj. Bær ikke løstsiddende tøj eller smykker. Hår, tøj og handsker skal holdes væk fra bevægelige dele.** Løstsiddende tøj, smykker og langt hår kan blive trukket ind af bevægelige dele.
- g) **Hvis der er mulighed for montering af støvudsugnings- og støvopsamlingsudstyr, skal du tjekke, at disse er sluttet til og anvendes korrekt.** Brug af støvudsugning kan nedsætte faren for støvbe-tingede helbredsskader.

4. Brug og håndtering af el-værktøjet

- a) **Overbelast ikke el-værktøjet. Brug det el-værktøj, der passer til det pågældende arbejde.** Du arbejder mere sikkert og bedre inden for det angivne effektområde med det rigtige værktøj.
- b) **Brug ikke el-værktøj, hvor afbryderknappen er defekt.** El-værktøj, som ikke længere kan tændes og slukkes, er farligt og skal repareres.
- c) **Træk stikket ud af stikkontakten, og/eller tag akkumulatorbatteriet ud, inden du foretager indstillinger på el-**

værktøjet, skifter tilbehør, og inden du lægger el-værktøjet fra dig. Denne forholdsregel forhindrer, at el-værktøjet starter utilsigtet.

- d) **El-værktøj skal opbevares uden for børns rækkevidde, når det ikke bruges. Lad ikke personer arbejde med el-værktøjet, som ikke er fortrolige med det, eller som ikke har læst denne vejledning.** El-værktøj er farligt, hvis det benyttes af uerfarne personer.
- e) **El-værktøj skal vedligeholdes omhyggeligt. Kontroller, at bevægelige dele fungerer, som de skal, og ikke sidder i klemme, og at komponenter ikke er gået i stykker eller er så beskadigede, at el-værktøjets funktion er nedsat. Beskadigede dele skal repareres, inden el-værktøjet tages i brug igen.** Mange uheld skyldes dårlig vedligeholdelse.
- f) **Hold skæreenheden skarp og ren.** Velplejet skæreværktøj med skarp skæræg kommer sjældnere i klemme og er lettere at føre.
- g) **El-værktøj, tilbehør, hjælpeværktøj osv. skal anvendes i overensstemmelse med nærværende anvisninger. Du skal samtidig tage højde for de givne arbejdsforhold og den pågældende aktivitet.** Brug af el-værktøj til formål, det ikke er beregnet til, kan føre til farlige situationer.

5. Service

- a) **El-værktøj skal repareres af en fagmand under anvendelse af originale reservedele.** Herved sikres det, at el-værktøjets sikkerhedsniveau bevares.

Særlige sikkerhedshenvisninger

- **Når du udfører arbejder, der indebærer en risiko for, at indsatsværktøjet kan ramme skjulte strømledninger eller sin egen netledning, skal du holde fast i de isolerede greb.** Kontakt med en spændingsførende ledning kan også sætte maskinens metaldele under spænding og give elektrisk stød.

- Maskinen må ikke benyttes i omgivelser med eksplosionsfarlig atmosfære. Bland ingen opløsningsmidler eller opløsningsmiddelholdige stoffer ned et flammepunkt under 21 °C.
- Ledninger må ikke vikles rundt om kropsdele.
- Forlængerledningen skal være godkendt til formålet.
- Maskinen må kun startes og køres i bladingskarret. Sørg for at bladingskarret står fast og sikkert.
- Under blandingprocessen må der ikke med hænderne eller genstande gribes ind i bladingskarret.
- Det anbefales at bære arbejdshandsker og beskyttelsesbriller under arbejdet med røremaskinen.
- Tøjet skal sidde tæt på kroppen
- Tag højde for reaktionsdrejemomentet
- Røremaskinen skal sikres med en fejlstrømsbeskyttelsesanordning (HFI-relæ) med en dimensioneret udløsestrøm på ikke mere end 10mA, så farlige situationer med strømmen undgås. Kontroller med jævne mellemrum, at dette er tilfældet.

Tilbageværende risici

Også ved korrekt anvendelse af maskinen vil der stadig være en vis risiko, som ikke lader sig eliminere. Betinget af maskinens type og konstruktion eksisterer følgende potentielle farer:

- Kontakt med det roterende værktøj (klemlæsion)
- Indgriben i det roterende værktøj (snitlæsion)
- Høreskader ved manglende brug af høreværn
- Elektrisk stød ved berøring af ikke-isolerede elektriske maskindele.

Hvis vejledningens anvisninger ikke følges, kan øvrige tilbageværende risici gøre sig gældende grundet usagkyndig omgang med maskinen.

Gem vejledningen.

3. Produktbeskrivelse og leveringsomfang

3.1 Produktbeskrivelse (fig. 1/2)

1. Tænd-/slukknop
2. Låseknop
3. Håndtag
4. Gaffelnøgler til skift af omrører
5. Omrørerholder
6. Omrører

3.2 Leveringsomfang

- Åbn pakken, og tag forsigtigt maskinen ud af emballagen.
- Fjern emballagematerialet samt emballage- og transportsikringer (hvis sådanne forefindes).
- Kontroller, at der ikke mangler noget.
- Kontroller maskine og tilbehør for transportskader.
- Opbevar så vidt muligt emballagen indtil garantiperiodens udløb.

Vigtigt!

Maskinen og emballagematerialet er ikke legetøj! Børn må ikke lege med plastikposer, folier og smådele! Fare for indtagelse og kvælning!

- Farve- og mørtelrøremaskine PFMR 1400 A1
- Omrører
- 2 gaffelnøgler til skift af omrører

4. Formålsbestemt anvendelse

Maskinen er beregnet til blanding af flydende og pulverformede bygningsmaterialer, som farver, mørtel, bindemiddel, puds og lignende substanser. Den passende omrører med den rette blandingseffekt skal anvendes, alt efter materialets konsistens og blandingens mængde.

Saven må kun anvendes i overensstemmelse med dens tiltænkte formål. Enhver anden form for anvendelse er ikke tilladt. Vi fraskriver os ethvert ansvar for skader, det være sig på personer eller materiel, som måtte opstå som følge af, at

maskinen ikke er blevet anvendt korrekt. Ansvaret bæres alene af brugeren/ejeren.

Bemærk, at vore produkter ikke er konstrueret til erhvervsmæssig, håndværksmæssig eller industriel brug. Vi fraskriver os ethvert ansvar, såfremt produktet anvendes i erhvervsmæssigt, håndværksmæssigt, industrielt eller lignende øjemed.

5. Tekniske data

Netspænding: 230 V ~ 50 Hz
 Optagen effekt: 1400 W
 Omdrejningstal, ubelastet: 0-750 min⁻¹
 Rørerindtag: M 14
 Kapslingsklasse: II/□
 Vægt uden omrører: 3,85 kg

Støj og vibration

Støj- og vibrationstal er beregnet i henhold til EN 60745.

Lydtryksniveau L_{pA} 84,5 dB(A)
 Usikkerhed K_{pA} 3 dB
 Lydeffektniveau L_{WA} 95,5 dB(A)
 Usikkerhed K_{WA} 3 dB

Brug høreværn.

Støjudviklingen fra maskinen kan forårsage høretab.

Samlede svingningstal (vektorsum for tre retninger) beregnet i henhold til EN 60745.

Oprøring af farve og mørtel

Svingningsemissionstal $a_h = 2,92 \text{ m/s}^2$
 Usikkerhed $K = 1,5 \text{ m/s}^2$

Advarsel!

Det angivne svingningsemissionstal er målt ud fra en standardiseret prøvningsmetode og kan afhængig af den måde, el-værktøjet anvendes på - ændre sig og i undtagelsestilfælde ligge over den angivne værdi.

Det angivne svingningsemissionstal kan anvendes til at sammenligne et el-værktøj med et andet.

Det angivne svingningsemissionstal kan også anvendes til en indledende skønsmæssig vurdering af den negative påvirkning.

Støjudvikling og vibration skal begrænses til et minimum!

- Brug kun intakte og ubeskadigede maskiner.
- Vedligehold og rengør maskinen med jævne mellemrum.
- Tilpas arbejdsmåden efter maskinen.
- Overbelast ikke maskinen.
- Lad i givet fald maskinen underkaste et eftersyn.
- Sluk maskinen, når den ikke benyttes.
- Bær handsker.

Tilbageværende risici

Også selv om du betjener el-værktøjet forskriftsmæssigt, er der stadigvæk nogle risikofaktorer at tage højde for.

Følgende farer kan opstå, alt efter el-værktøjets type og konstruktionsmåde:

1. Lungeskader, såfremt der ikke bæres egnet støvmaske.
2. Høreskader, såfremt der ikke bæres egnet høreværn.
3. Helbredsskader, som følger af hånd-arm-vibration, såfremt værktøjet benyttes over et længere tidsrum eller ikke håndteres og vedligeholdes forskriftsmæssigt.

6. Inden ibrugtagning

Inden du slutter høvlen til strømforsyningsnettet, skal du kontrollere, at dataene på mærkepladen stemmer overens med netdataene.

Træk altid stikket ud af stikkontakten, inden du foretager indstillinger på høvlen.

- Skru den ene omrørerdel (6a) godt fast til den anden (6b).
- Bagefter skrues du omrøreren (6) ind i omrørerindtaget (5).
- Brug hertil to gaffelnøgler (4).
- Med den ene gaffelnøgle holder du fast i omrørerindtaget (5), mens du spænder omrøreren (6) fast med den anden gaffelnøgle.
- For at fjerne omrøreren er fremgangsmåden modsat.

7. Betjening

7.1 Tænd/Sluk-knap (fig. 3/pos. 1)

- Sæt først en egnet omrører (6) i maskinen (se 6).
- Sæt stikket i en stikkontakt.

Tænd:

Tryk på tænd/sluk-knappen (1)

Slukke maskinen:

Slip tænd/sluk-knappen (1).

Tilkobling af vedvarende drift:

Fikser tænd/sluk-knappen (1) med låseknappen (2)

Frakobling af vedvarende drift:

Tryk kortvarigt tænd/sluk-knappen (1) ind.

7.2 Indstilling af omdrejningstal (fig. 3/pos. 1)

- Omdrejningstallet kan styres trinløst under arbejdet.
- Omdrejningstallet bestemmes ud fra, hvor kraftigt du trykker ind på tænd/sluk-knappen (1).

7.3 Arbejde med røremaskinen

Sænk forsigtigt (med nedsat omdrejningstal) omrøreren ned i blandingsmaterialet, og udvis samme forsigtighed, når du tager den op. Når omrøreren er helt nedsænket, kan hastigheden øges. Før omrøreren gennem karret under blandingsprocessen, og bliv ved med at blande, indtil blandingsmaterialet er blandet helt igennem. Når arbejdet er færdigt, rengøres omrøreren og karret. Stænk af blandingsmateriale på maskinen tørres af med en tør klud.

8. Udskiftning af nettilslutningsledning

Hvis produktets nettilslutningsledning beskadiges, skal den skiftes ud af producenten eller dennes kundeservice eller af person med lignende kvalifikationer for at undgå fare for personskade.

9. Rengøring, vedligeholdelse og reservedelsbestilling

Træk stikket ud af stikkontakten inden vedligeholdelsesarbejde.

9.1 Rengøring

- Hold så vidt muligt beskyttelsesanordninger, luftsprækker og motorhuset fri for støv og snavs. Gnid maskinen ren med en ren klud, eller foretag trykluftudblæsning med lavt tryk.
- Vi anbefaler, at maskinen rengøres hver gang efter brug.
- Rengør af og til maskinen med en fugtig klud og lidt blød sæbe. Undgå brug af rengørings- eller opløsningsmiddel, da det vil kunne ødelægge maskinens kunststofdele. Pas på, at der ikke kan trænge vand ind i maskinens indvendige dele.

9.2 Kontaktkul

Ved for megen gnistdannelse skal kontaktkullet efterses af en fagmand. Vigtigt! Udskiftning af kontaktkul skal foretages af en fagmand.

9.3 Vedligeholdelse

Der findes ikke yderligere dele, som skal vedligeholdes inde i maskinen.

9.4 Reservedelsbestilling:

Ved bestilling af reservedele skal følgende oplyses:

- Savens type.
- Savens artikelnummer.
- Savens identifikationsnummer.

Aktuelle priser og øvrige oplysninger finder du på internetadressen www.isc-gmbh.info

10. Opbevaring

Maskinen og dens tilbehør skal opbevares på et mørkt, tørt og frostfrit sted uden for børns rækkevidde. Den optimale lagertemperatur ligger mellem 5 og 30 °C. Opbevar el-værktøjet i den originale emballage.

11. Bortskaffelse og genanvendelse

Maskinen er pakket ind for at undgå transportkader. Emballagen består af råmaterialer og kan således genanvendes eller indleveres på genbrugsstation. Maskinen og dens tilbehør består af forskellige materialer, f.eks. metal og plast. Defekte komponenter skal kasseres ifølge miljøforskrifterne og må ikke smides ud som almindeligt husholdningsaffald. Hvis du er i tvivl: Spørg din forhandler, eller forhør dig hos din kommune!



Kun for EU-lande

Smid ikke el-værktøj ud som almindeligt husholdningsaffald!

I medfør af Rådets direktiv 2002/96/EF om affald af elektrisk og elektronisk udstyr og dettes omsættelse i den nationale lovgivning skal brugt el-værktøj indsamles separat og indleveres til videreanvendende formål på miljømæssig forsvarlig vis.

Recycling-alternativ til tilbagesendelse:

Ejeren af el-værktøjet er – med mindre denne tilbagesender maskinen – forpligtet til at bortskaffe maskinen og dens dele ifølge miljøforskrifterne. Den brugte maskine kan indleveres hos en genbrugsstation – spørg evt. personalet her, eller forhør dig hos din kommune. Tilbehør og hjælpemidler, som følger med maskinen, og som ikke indeholder elektriske dele, er ikke omfattet af ovenstående.

12. Overensstemmelseserklæring

Einhell Germany AG · Wiesenweg 22 · D-94405 Landau/Isar



Konformitätserklæring

- D** erklæret følgende Konformität gemäß EU-Richtlinie und Normen für Artikel
- GB** explains the following conformity according to EU directives and norms for the following product
- F** déclare la conformité suivante selon la directive CE et les normes concernant l'article
- I** dichiara la seguente conformità secondo la direttiva UE e le norme per l'articolo
- NL** verklaart de volgende overeenstemming conform EU richtlijn en normen voor het product
- E** declara la siguiente conformidad a tenor de la directiva y normas de la UE para el artículo
- P** declara a seguinte conformidade, de acordo com a directiva CE e normas para o artigo
- DK** atstæterer følgende overensstemmelse i medfør af EU-direktiv samt standarder for artikel
- S** förklarar följande överensstämmelse enl. EU-direktiv och standarder för artikeln
- FIN** vakuuttaa, että tuote täyttää EU-direktiivin ja standardien vaatimukset
- EE** tõendab toote vastavust EL direktiivile ja standarditele
- CZ** vydává následující prohlášení o shodě podle směrnice EU a norem pro výrobek
- SLO** potrjuje sledečo skladnost s smernico EU in standardi za izdelek
- SK** vydáva nasledujúce prehlásenie o zhode podľa smernice EÚ a noriem pre výrobok
- H** a cikkekez az EU-irányvonal és Normák szerinti következő konformitást jelenti ki
- PL** deklaruje zgodność wymienionego poniżej artykułu z następującymi normami na podstawie dyrektywy WE.
- BG** декларира съответното съответствие съгласно Директива на ЕС и норми за артикул
- LV** paskaidro šādu atbilstību ES direktīvai un standartiem
- LT** apibūdina šį atitikimą EU reikalavimams ir prekės normoms
- RO** declară următoarea conformitate conform directivei UE și normelor pentru articolul
- GR** δηλώνει την ακόλουθη συμμόρφωση σύμφωνα με την Οδηγία ΕΚ και τα πρότυπα για το προϊόν
- HR** potvrđuje sljedeću usklađenost prema smjernicama EU i normama za artikl
Izjava o sukladnosti za ovaj proizvod dostupna je na internet stranici www.lidl.hr.
- BIH** potvrđuje sljedeću usklađenost prema smjernicama EU i normama za artikl
- RS** potvrđuje sledeću usklađenost prema smernicama EZ i normama za artikla
- RUS** следующим удостоверяется, что следующие продукты соответствуют директивам и нормам ЕС
- UKR** проголошує про зазначену нижче відповідність виробу директивам та стандартам ЄС на виріб
- MK** ja izjavува slednata soobraznost soglasno EU-direktivata i normite za artikli
- TR** Ürünü ile ilgili AB direktifleri ve normları gereğince aşağıda açıklanan uygunluğu belirtir
- N** erklærer følgende samsvar i henhold til EU-direktivet og standarder for artikkel
- IS** Lýsir uppfyllingu EU-reglna og annarra staðla vöru

Farb- und Mörtelrührer PFMR 1400 A1 (Parkside)

- 87/404/EC_2009/105/EC
- 2005/32/EC_2009/125/EC
- 2006/95/EC
- 2006/28/EC
- 2004/108/EC
- 2004/22/EC
- 1999/5/EC
- 97/23/EC
- 90/396/EC_2009/142/EC
- 89/686/EC_96/58/EC
- 2011/65/EC
- 2006/42/EC
- Annex IV
Notified Body:
Notified Body No.:
Reg. No.:
- 2000/14/EC_2005/88/EC
- Annex V
- Annex VI
Noise measured: LWA = dB (A); guaranteed LWA = dB (A)
P = KW; L/Ø = cm
Notified Body:
- 2006/28/EC
Emission No.:

**Standard references: EN 60745-1; EN 60745-2-1;
EN 55014-1; EN 55014-2; EN 61000-3-2; EN 61000-3-3**

Landau/Isar, den 14.09.2011

Weichselgartner/General-Manager

Unger/Product-Management

First CE: 11
Art.-No.: 42.585.91 I.-No.: 11011
Subject to change without notice

Archive-File/Record: NAPR001960
Documents registrar: Georg Riedel
Wiesenweg 22, D-94405 Landau/Isar

13. Garantibevis

Kære kunde!

Vore produkter er underlagt streng kvalitetskontrol. Hvis produktet alligevel på et tidspunkt skulle udvise fejl, beklager vi naturligvis dette og beder dig kontakte vores kundeservice på adressen, som står angivet på dette garantibevis. Du kan naturligvis også ringe til os på det nedenfor angivne servicenummer. For indfrielse af garantikrav gælder følgende:

1. Nærværende garanti fastsætter betingelserne for udvidede garantiydelse. Garantibestemmelser fastsat ved lov berøres ikke af nærværende garanti. Vores garantiydelse er gratis.
2. Garantiydelsen omfatter udelukkende mangler, som kan føres tilbage til materiale- eller produktionsfejl, og begrænser sig til afhjælpning af disse resp. levering af erstatningsprodukt. Bemærk, at vore produkter ikke er konstrueret til erhvervmæssig, håndværksmæssig eller industriel brug. Garantiaftale kan derfor ikke anses for indgået, såfremt produktet anvendes i erhvervmæssigt, håndværksmæssigt, industrielt eller lignende øjemed. Endvidere dækker garantien ikke erstatningsydelse for transportskader, skader som følge af tilsidesættelse af montagevejledningens anvisninger eller som følge af usagkyndig installation, tilsidesættelse af brugsanvisningen (f.eks. tilslutning til forkert netspænding eller strømtype), misbrug eller usagkyndig anvendelse (f.eks. overbelastning eller brug af værktøj eller tilbehør, som ikke er godkendt), tilsidesættelse af vedligeholdelses- og sikkerhedsforskrifter, indtrængen af fremmedlegemer i apparatet (f.eks. sand, sten eller støv), brug af vold eller eksterne påvirkninger udefra (f.eks. fordi produktet tabes) samt skader, der hidrører fra almindelig slitage. Dette gælder især batterier, som vi dog alligevel yder 12 måneders garanti på. Garantien mister sin gyldighed, hvis der allerede er blevet foretaget indgreb i apparatet.
3. Garantiperioden udgør 3 år at regne fra købsdatoen. Garantikrav skal gøres gældende inden for to uger, efter at defekten er blevet konstateret. Garantikrav kan ikke gøres gældende efter garantiperiodens udløb. Reparation eller udskiftning af apparatet medfører ikke forlængelse af garantiperioden, heller ikke for eventuelt indbyggede reservedele. Dette gælder også servicearbejder, der foretages på stedet.
4. For at kunne gøre garantikrav gældende skal du sende det defekte produkt portofrit til nedenstående adresse. Original købskvittering eller lignende dateret dokumentation skal vedsendes. Købskvitteringen skal gemmes som dokumentation! Beskriv venligst så nøjagtigt som muligt grunden til din reklamation. Er defekten omfattet af garantien, vil produktet omgående blive repareret og returneret, eller du vil modtage et helt nyt.

Mod betaling udbedrer vi naturligvis også gerne defekter på produktet, som ikke/ikke længere er omfattet af garantien. Du skal blot indsende produktet til vores serviceadresse.

Einhell Scandinavia Aps

A.C..Illumsvej 21 A-B
DK-8600 Silkeborg
Tel. 087 201200 · Fax 087 201203

Sadržaj

1. Uvod	37
2. Sigurnosne napomene	37
3. Opis uređaja i sadržaj isporuke	39
4. Namjenska uporaba	39
5. Tehnički podaci	40
6. Prije puštanja u pogon.....	40
7. Rukovanje	41
8. Zamjena mrežnog kabela.....	41
9. Čišćenje, održavanje i naručivanje rezervnih dijelova.....	41
10. Skladištenje	41
11. Zbrinjavanje u otpad i recikliranje.....	42
12. Izjava o usklađenosti	43
13. Jamstveni list	44

Kopiranje ili umnožavanje dokumentacije i popratnih materijala o proizvodu, čak i djelomično, dopušteno je samo uz izričito dopuštenje tvrtke iSC GmbH.

Zadržavamo pravo na tehničke izmjene



Upozorenje - pročitajte upute za uporabu kako bi se smanjio rizik od ozljeđivanja



Nosite zaštitu za sluh. Buka može utjecati na gubitak sluha.



Nosite masku za zaštitu od prašine. Kod obrade drva i drugih materijala može doći do stvaranja prašine štetne po zdravlje. Azbestni materijali ne smiju se obrađivati!



Nosite zaštitne naočale. Iskre koje nastaju za vrijeme rada, iverje, piljevina i prašina koji izlaze iz uređaja mogu izazvati gubitak vida.

1. Uvod

⚠ **Pozor!**

Prilikom uporabe uređaja morate se pridržavati sigurnosnih propisa kako biste spriječili nastanak ozljeda i šteta. Zato pažljivo pročitajte ove upute za uporabu/sigurnosne napomene. Dobro ih sačuvajte tako da vam informacije u svako doba budu na raspolaganju. Ako biste ovaj uređaj trebali predati drugim osobama, molimo da im prosljedite i ove upute za uporabu. Ne preuzimamo jamstvo za štete nastale zbog nepridržavanja ovih uputa za uporabu i sigurnosnih napomena.

2. Sigurnosne napomene

⚠ **Upozorenje!**

Pročitajte sve sigurnosne napomene i upute. Propusti kod pridržavanja sigurnosnih napomena i uputa mogu uzrokovati električni udar, požar i/ili teške povrede. **Sačuvajte sve sigurnosne napomene i upute za ubuduće.**

Pojam „električni alat“, koji se koristi u sigurnosnim napomenama, odnosi se na električne alate koji rade na strujni pogon (s mrežnim kabelom) i na akumulatorski pogon (bez mrežnog kabela).

1. Sigurnost radnog mjesta

- a) **Svoje radno područje održavajte čistim i radite pod dobrom rasvjetom.** Nered ili neosvijetljeno radno područje mogu dovesti do nesreće na radu.
- b) **Ne radite s električnim alatima u okolini gdje postoji opasnost od eksplozije i u kojoj se nalaze zapaljive tekućine, plinovi ili prašina.** Električni alati stvaraju iskre koje mogu zapaliti prašinu ili pare.
- c) **Djecu i druge osobe držite podalje za vrijeme uporabe električnih alata.** Prilikom promjene smjera možete izgubiti kontrolu nad uređajem.

2. Električna sigurnost

- a) **Priključni utikač električnog alata mora odgovarati utičnici. Na utikaču nije dopušteno obavljati bilo kakve preinake. Ne koristite adaptorski utikač zajedno s uzemljenim električnim alatima.** Originalni utikači i odgovarajuće utičnice smanjuju rizik od električnog udara.
- b) **Izbjegavajte tjelesni kontakt s uzemljenim površinama poput cijevi, radijatora, peći i hladnjaka.** Postoji povećan rizik od električnog udara, ako je vaše tijelo uzemljeno.
- c) **Držite električni alat podalje od kiše i vlage.** Prodiranje vode u električni uređaj povećava rizik od električnog udara.
- d) **Ne koristite kabel za nošenje ili vješanje električnog alata, ili za izvlačenje utikača iz utičnice. Držite kabel podalje od izvora topline, ulja, oštih rubova ili pokretnih dijelova uređaja.** Oštećeni ili zapetljani kabel povećava rizik od električnog udara.
- e) **Ako radite s električnim alatom na otvorenom, koristite samo produžne kabele koji su prikladni za uporabu na otvorenom.** Uporaba produžnog kabela prikladnog za rad na otvorenom smanjuje rizik od električnog udara.
- f) **Ako nije moguće izbjeći rad električnih alata u vlažnoj okolini, upotrijebite zaštitni strujni prekidač.** Uporabom zaštitnog strujnog prekidača smanjuje se rizik od električnog udara.

3. Sigurnost ljudi

- a) **Budite oprezni, pripazite što činite i radu s električnim alatom pristupite savjesno. Ne koristite električni alat ako ste umorni ili pod utjecajem droge, alkohola ili medikamena-ta.** Trenutak nepažnje za vrijeme uporabe električnog alata može dovesti do ozbiljnih povreda.
- b) **Nosite osobnu zaštitnu opremu i uvijek nosite zaštitne naočale.** Nošenje osobne zaštitne opreme kao što je maska za

prašinu, zaštitne cipele koje ne kližu, zaštitni šljem ili zaštita za sluh, ovisno o vrsti i načinu uporabe električnog alata, smanjuje rizik od ozljeđivanja.

- c) Izbjegavajte nekontrolirano puštanje u rad. Prije priključivanja električnog alata na napajanje strujom i/ili baterijom, i prije no što ćete ga skinuti ili nositi, provjerite je li isključen.** Ako prilikom nošenja električnog alata imate prst na prekidaču ili ako uključen uređaj priključite na mrežu, može doći do nezgode.
- d) Prije uključivanja uređaja, uklonite alate za podešavanje ili ključ za vijke.** Alat ili ključ koji bi se našao nalazi u rotirajućem dijelu uređaja može uzrokovati ozljeđivanja.
- e) Izbjegavajte nenormalne položaje tijela. Pobrinite se za stabilan položaj i u svakom trenutku držite ravnotežu.** Na taj način moći ćete uređaj bolje kontrolirati u neočekivanim situacijama.
- f) Nosite odgovarajuću radnu odjeću. Ne nosite široku odjeću ili nakit. Kosu, odjeću i rukavice ne približavajte pokretnim dijelovima.** Široku odjeću, nakit ili dugu kosu pokretni dijelovi mogu zahvatiti.
- g) Ako se mogu montirati naprave za odsisavanje i sakupljanje prašine, provjerite jesu li priključene i koriste li se pravilno.** Usisavanjem prašine možete smanjiti opasnosti koje nastaju zbog stvaranja prašine.

4. Uporaba i rukovanje električnim alatom

- a) Ne preopterećujte uređaj. Koristite alat koji je namijenjen za vaš posao.** Odgovarajućim električnim alatom radit ćete bolje i sigurnije u navedenom području snage.
- b) Ne koristite električni alat čiji je prekidač neispravan.** Električni alat koji se više ne može uključiti ili isključiti je opasan i mora se popraviti.
- c) Prije izvođenja podešavanja na uređaju, zamjene dijelova pribora ili odlaganja uređaja, izvucite utikač**

iz utičnice i/ili uklonite akumulator.

Spomenute mjere opreza sprječavaju nekontrolirano pokretanje električnog alata.

- d) Nekorišteni električni alat odložite na mjesto izvan dohvata djece. Ne dopustite uporabu uređaja osobama koje nisu upoznate s njegovim radom ili nisu pročitale ove upute.** Električni alati su opasni ako ih koriste osobe bez odgovarajućeg iskustva.
- e) Električne alate nježite s dužnom pažnjom. Provjerite funkcioniraju li pokretni dijelovi besprijekorno ili možda zapinju, jesu li slomljeni ili oštećeni tako da bi mogli ugroziti pravilan rad električnog alata. Prije uporabe uređaja, oštećene dijelove predajte na popravak.** Uzrok mnogih nezgoda je loše održavanje električnog alata.
- f) Alate za rezanje održavajte oštrima i čistima.** Pažljivo održavani alati za rezanje s nabrušenim oštricama manje zapinju i lakše ih je voditi.
- g) Električni alat, pribor i nastavke alata itd. koristite u skladu s ovim uputama. Pritom obratite pažnju na radne uvjete i aktivnost koju treba izvršiti.** Nenamjenska uporaba električnih alata može dovesti do opasnih situacija.

5. Servis

- a) Svoj uređaj predajte na popravak isključivo kvalificiranom stručnom osoblju uz uporabu originalnih rezervnih dijelova.** Na taj način omogućava se siguran rad uređaja.

Dodatne sigurnosne upute:

- **Kad izvodite radove kod kojih bi korišteni alat mogao dodirnuti skrivene strujne vodove ili vlastiti mrežni kabel, držite uređaj samo za izolirane površine ručki.** Kontakt sa strujnim kabelom može također staviti metalne dijelove uređaja pod napon i dovesti do udara električne struje.
- Radite s uređajem u okolini s eksplozivnom at-

mosferom. Ne miješajte otapala ili materijale koji sadrže otapala s temperaturom paljenja ispod 21 °C.

- Ne omatajte kabel ni oko kakvih dijelova tijela.
- Koristite samo produžni kabel koji je dopušten za to radno područje.
- Uređaj se smije pokretati/zaustavljati samo u posudi za miješanje. Pobrinite se da posuda za miješanje bude na čvrstom i stabilnom mjestu.
- Tijekom miješanja ne zahvaćajte rukama ili predmetima u posudu za miješanje.
- Kod radova s miješalicom preporučuje se da nosite zaštitne rukavice i naočale.
- Prema propisu potrebno je nositi pripijenu odjeću.
- Računajte s reakcijskim okretnim momentom.
- Da bi se izbjegle opasnosti, uređaj treba osigurati zaštitnom strujnom napravom (FI) s dimenzioniranom isklonnom strujom ne većom od 10 mA. Kontrolirajte ju u redovitim razmacima.

Ostali rizici

Čak i kod stručne uporabe uređaja uvijek postoji rizik ostalih opasnosti koji je nemoguće isključiti. Iz vrste i konstrukcije uređaja proizlaze sljedeće potencijalne opasnosti:

- kontakt s rotirajućim alatom (ozljeda prignječenjem)
- zahvaćanje u rotirajući alat (porezotina)
- oštećenje sluha ako se ne nosi propisana zaštita za sluh
- električni udar uslijed dodirivanja neizoliranih električnih sastavnih dijelova.

Ne pridržavate li se ovih uputa za uporabu, zbog nestručnog korištenja mogli bi nastati ostali rizici.

Dobro spremite ove sigurnosne napomene.

3. Opis uređaja i sadržaj isporuke

3.1 Opis uređaja (slika 1/2)

1. Sklopka za uključivanje/isključivanje
2. Gumb za podešavanje
3. Ručka
4. Viljuškasti ključ za zamjenu miješala
5. Prihvatnik miješalice
6. Miješalice

3.2 Sadržaj isporuke

- Otvorite pakovinu i pažljivo izvadite uređaj.
- Uklonite ambalažu kao i dijelove za sigurnost pakiranja / za sigurnost tijekom transporta (ako postoje).
- Provjerite je li sadržaj isporuke cjelovit.
- Prekontrolirajte postoje li na uređaju i dijelovima pribora transportna oštećenja.
- Po mogućnosti sačuvajte pakovinu do isteka jamstvenog roka.

Pozor!

Uređaj i materijal pakovine nisu igračke za djecu! Djeca se ne smiju igrati plastičnim vrećicama, folijama i sitnim dijelovima! Postoji opasnost da ih progutaju i tako se uguše!

- Miješalice za boju i žbuku PFMR 1400 A1
- Miješalo
- 2 viljuškasta ključa za zamjenu miješala

4. Namjenska uporaba

Stroj je namijenjen za pripremanje tekućih građevinskih materijala i građevinskih materijala u prahu, kao što su boje, mort, ljepila, žbuke i slične tvari. Ovisno o gustini materijala i količinu koju miješate, treba primijeniti prikladan mješač s odgovarajućim načinom miješanja.

Uređaj se smije koristiti samo namjenski. Svaka drugačija uporaba nije namjenska. Za štete ili ozljede svih vrsta nastale zbog nenamjenskog korištenja odgovoran je korisnik/rukovatelj a nikako proizvođač.

Molimo da obratite pozornost na to da naši uređaji nisu pogodni za korištenje u komercijalne, obrtničke ili industrijske svrhe. Ne preuzimamo jamstvo ako se uređaj koristi u komercijalne i industrijske svrhe kao i u sličnim djelatnostima.

5. Tehnički podaci

Mrežni napon: 230 V~ 50 Hz
 Snaga: 1400 W
 Broj okretaja u praznom hodu: 0-750 min⁻¹
 Prihvatnik miješala: M14
 Klasa zaštite: II/□
 Težina bez miješala: 3,85 kg

Buka i vibracije

Vrijednosti buke i vibracija određene su prema normi EN 60745.

Razina zvučnog tlaka L_{pA} 84,5 dB (A)
 Nesigurnost K_{pA} 3 dB
 Intenzitet buke L_{WA} 95,5 dB (A)
 Nesigurnost K_{WA} 3 dB

Nosite zaštitu za sluh.

Buka može utjecati na gubitak sluha.

Ukupne vrijednosti vibracija (vektorski zbroj triju pravaca) određene su prema normi EN 60745.

Miješanje boje i žbuke

Vrijednost emisije vibracija $a_h = 2,92 \text{ m/s}^2$
 Nesigurnost $K = 1,5 \text{ m/s}^2$

Upozorenje!

Navedena vrijednost emisije vibracija izmjerena je prema normiranom postupku ispitivanja i može se, ovisno o načinu korištenja elektroalata, promijeniti a u izuzetnim slučajevima može biti i veća od navedene vrijednosti.

Navedena vrijednost emisije vibracija može se koristiti u svrhu usporedbe elektroalata jedne tvrtke s elektroalatom neke druge tvrtke.

Navedena vrijednost emisije vibracija može se također koristiti za početnu procjenu ugrožavanja zdravlja.

Ograničite stvaranje buke i vibracija na minimum!

- Koristite samo besprijeke uređaje.
- Redovito čistite i održavajte uređaj.
- Svoj način rada prilagodite uređaju.
- Nemojte preopterećivati uređaj.
- Po potrebi predajte uređaj na kontrolu.
- Isključite uređaj kad ga ne koristite.
- Nosite zaštitne rukavice.

Ostali rizici

Čak i kad se ovi elektroalati koriste propisno, uvijek postoje neki drugi rizici. Sljedeće opasnosti mogu nastati vezi s izvedbom i konstrukcijom elektroalata:

1. Oštećenja pluća ako se ne nosi prikladna maska za zaštitu od prašine.
2. Oštećenja sluha ako se ne nosi prikladna zaštita za sluh.
3. Zdravstveni problemi koji nastaju kao posljedica vibracija na šaku-ruku u slučaju da se uređaj koristi tijekom dužeg vremena ili se nepropisno koristi i održava.

6. Prije puštanja u pogon

Prije uključivanja provjerite odgovaraju li podaci na tipskoj pločici podacima o mreži.

Prije nego počnete podešavati uređaj izvucite utikač iz utičnice.

Montaža miješala (sl. 2):

- Pričvrstite vijcima dio miješala (6a) s dijelom (6b).
- Zatim uvrnite miješalo (6) u njegov prihvatnik (5).
- Za to upotrijebite viljuškasti ključ (4).
- Viljuškastim ključem držite prihvatnik miješala (5) a drugim ključem pritegnite miješalo (6).
- Da biste uklonili miješalo, postupite obrnutim redoslijedom.

7. Rukovanje

7.1 Sklopka za uključivanje/isključivanje (slika 3/poz. 1)

- Prvo montirajte prikladno miješalo (6) na uređaj (vidi toč. 6.)
- Utaknite mrežni utikač u prikladnu utičnicu.

Uključivanje:

Pritisnite sklopku za uključivanje/isključivanje (1).

Isključivanje:

Nakratko pritisnite sklopku za uključivanje/isključivanje (1).

Isključivanje trajnog pogona:

Osigurajte sklopku za uključivanje/isključivanje (1) gumbom za fiksiranje (2).

Uključivanje trajnog pogona:

Pustite sklopku za uključivanje/isključivanje (1).

7.2 Podešavanje broja okretaja (slika 3/poz. 1)

- Za vrijeme pogona možete kontinuirano mijenjati broj okretaja.
- Broj okretaja mijenjate slabijim ili jačim pritiskom na sklopku za uključivanje/isključivanje (1).

7.3 Rad s miješalicom

Pazljivo uronite miješalo (sa smanjenim brojem okretaja) u smjesu koju miješate i budite naročito oprezni kad ga vadite van. Nakon što je miješalo potpuno uronjeno, možete povećavati brzinu. Za vrijeme miješanja vodite miješalo kroz posudu i miješajte tako dugo dok se smjesa potpuno ne promiješa. Nakon završetka miješanja očistite miješalo i posudu. Ostatke smjese na uređaju obrišite suhom krpom.

8. Zamjena mrežnog kabela

Ako se kabel za priključivanje ovog uređaja na mrežu ošteti, mora ga zamijeniti proizvođač ili njegova servisna služba ili slična kvalificirana osoba kako bi se izbjegle opasnosti.

9. Čišćenje, održavanje i naručivanje rezervnih dijelova

Prije svih radova čišćenja izvucite mrežni utikač.

9.1 Čišćenje

- Zaštitne naprave, prolaze za zrak i kućište motora treba uvijek očistiti od prašine i nečistoća. Istrljajte uređaj čistom krpom ili ga ispušite komprimiranim zrakom pod niskim tlakom.
- Preporučujemo da očistite uređaj odmah nakon svake uporabe.
- Redovito čistite uređaj mokrom krpom i s malo kalijevog sapuna. Ne koristite otapala ili sredstva za čišćenje; ona bi mogli oštetiti plastične dijelove uređaja. Pripazite na to da u unutrašnjost uređaja ne dospije voda.

9.2 Ugljene četkice

U slučaju prekomjernog iskrenja kontrolu ugljenih četkica prepustite električaru. Pozor! Ugljene četkice smije zamijeniti samo električar.

9.3 Održavanje

U unutrašnjosti uređaja nema dijelova koje bi trebalo održavati.

9.4 Naručivanje rezervnih dijelova:

Kod naručivanja rezervnih dijelova trebali biste navesti sljedeće podatke:

- Tip uređaja
- Kataloški broj uređaja
- Identifikacijski broj uređaja

Aktualne cijene nalaze se na web stranici www.isc-gmbh.info

10. Skladištenje

Uređaj i njegov pribor spremite na tamno i suho mjesto zaštićeno od smrzavanja, kojem djeca nemaju pristup. Optimalna temperatura skladištenja je između 5 i 30 °C. Elektroalat čuvajte u originalnoj pakovini.

11. Zbrinjavanje u otpad i recikliranje

Uređaj je zapakiran kako bi se tijekom transporta spriječila oštećenja. Ova pakovina je sirovina i može se ponovno upotrijebiti ili predati na reciklažu. Uređaj i njegov pribor sastavljeni su od raznih materijala, kao npr. metal i plastika. Neispravne sklopove odlažite u specijalni otpad. Raspitajte se u specijaliziranoj trgovini ili općinskoj upravi!



Samo za zemlje članice EU

Elektroalate nemojte bacati u kućno smeće!

Prema europskoj odredbi 2002/96/EG o starim električnim i elektroničkim uređajima i njenim prijenosom u nacionalno pravo, istrošeni električni alati trebaju se posebno sakupljati i na ekološki način zbrinuti na mjestu za reciklažu.

Alternativa s recikliranjem nasuprot zahtjevu za povrat:

Vlasnik električnog uređaja alternativno je obvezan da umjesto povrata uređaja u slučaju odricanja vlasništva sudjeluje u stručnom zbrinjavanju uređaja. Stari uređaj može se u tu svrhu predati i mjestu za preuzimanje takvih uređaja koje provodi uklanjanje u smislu državnih zakona o otpadu i recikliranju. Zakonom nisu obuhvaćeni dijelovi pribora ugrađeni u stare uređaje i pomoćni materijali bez električnih elemenata.

12. Izjava o usklađenosti

Einhell Germany AG · Wiesenweg 22 · D-94405 Landau/Isar



Konformitätserklärung

- D** erklärt folgende Konformität gemäß EU-Richtlinie und Normen für Artikel
- GB** explains the following conformity according to EU directives and norms for the following product
- F** déclare la conformité suivante selon la directive CE et les normes concernant l'article
- I** dichiara la seguente conformità secondo la direttiva UE e le norme per l'articolo
- NL** verklaart de volgende overeenstemming conform EU richtlijn en normen voor het product
- E** declara la siguiente conformidad a tenor de la directiva y normas de la UE para el artículo
- P** declara a seguinte conformidade, de acordo com a directiva CE e normas para o artigo
- DK** atstæterer følgende overensstemmelse i medfør af EU-direktiv samt standarder for artikel
- S** förklarar följande överensstämmelse enl. EU-direktiv och standarder för artikeln
- FIN** vakuuttaa, että tuote täyttää EU-direktiivin ja standardien vaatimukset
- EE** tõendab toote vastavust EL direktiivile ja standarditele
- CZ** vydává následující prohlášení o shodě podle směrnice EU a norem pro výrobek
- SLO** potrjuje sledečo skladnost s smernico EU in standardi za izdelak
- SK** vydáva nasledujúce prehlásenie o zhode podľa smernice EÚ a noriem pre výrobok
- H** a cikkekhez az EU-irányvonal és Normák szerinti következő konformitást jelenti ki
- PL** deklaruje zgodność wymienionego poniżej artykułu z następującymi normami na podstawie dyrektywy WE.
- BG** декларира съответното съответствие съгласно Директива на ЕС и норми за артикул
- LV** paskaidro šādu atbilstību ES direktīvai un standartiem
- LT** apibūdina šį atitikimą EU reikalavimams ir prekės normoms
- RO** declară următoarea conformitate conform directivei UE și normelor pentru articolul
- GR** δηλώνει την ακόλουθη συμμόρφωση σύμφωνα με την Οδηγία ΕΚ και τα πρότυπα για το προϊόν
- HR** potvrđuje sljedeću usklađenost prema smjernicama EU i normama za artikl
Izjava o sukladnosti za ovaj proizvod dostupna je na internet stranici www.lidl.hr.
- BIH** potvrđuje sljedeću usklađenost prema smjernicama EU i normama za artikl
- RS** potvrđuje sledeću usklađenost prema smernicama EZ i normama za artikla
- RUS** следующим удостоверяется, что следующие продукты соответствуют директивам и нормам ЕС
- UKR** проголошує про зазначену нижче відповідність виробу директивам та стандартам ЄС на виріб
- MK** ja izjavува slednata soobraznost согласно EU-direktivata i normite za artikli
- TR** Ürünü ile ilgili AB direktifleri ve normları gereğince aşağıda açıklanan uygunluğu belirtir
- N** erklærer følgende samsvar i henhold til EU-direktivet og standarder for artikkel
- IS** Lýsir uppfyllingu EU-reglna og annarra staðla vöru

Farb- und Mörtelrührer PFMR 1400 A1 (Parkside)

- 87/404/EC_2009/105/EC
- 2005/32/EC_2009/125/EC
- 2006/95/EC
- 2006/28/EC
- 2004/108/EC
- 2004/22/EC
- 1999/5/EC
- 97/23/EC
- 90/396/EC_2009/142/EC
- 89/686/EC_96/58/EC
- 2011/65/EC
- 2006/42/EC
- Annex IV
Notified Body:
Notified Body No.:
Reg. No.:
- 2000/14/EC_2005/88/EC
- Annex V
- Annex VI
Noise measured: LWA = dB (A); guaranteed LWA = dB (A)
P = KW; L/Ø = cm
Notified Body:
- 2006/28/EC
Emission No.:

**Standard references: EN 60745-1; EN 60745-2-1;
EN 55014-1; EN 55014-2; EN 61000-3-2; EN 61000-3-3**

Landau/Isar, den 14.09.2011

Weichselgartner/General-Manager

Unger/Product-Management

First CE: 11
Art.-No.: 42.585.91 I.-No.: 11011
Subject to change without notice

Archive-File/Record: NAPR001960
Documents registrar: Georg Riedel
Wiesenweg 22, D-94405 Landau/Isar

13. Jamstveni list

Poštovani kupče,

naši proizvodi podliježu strogoj kontroli kvalitete. Žao nam je ako bi ipak došlo do toga da uređaj ne funkcionira besprijekorno i zamolili bismo Vas da se u tom slučaju obratite na adresu naše servisne službe navedenu ispod ovog jamstva. Također smo Vam na raspolaganju na dolje navedenom telefonskom broju servisne službe. Za traženje jamstvenog zahtjeva vrijedi sljedeće:

1. Ovi jamstveni uvjeti reguliraju dodatne jamstvene usluge. Ovo jamstvo ne zadire u Vaše zakonsko pravo zahtjeva za ostvarenje jamstvenih usluga. Realizacija jamstvenih usluga je besplatna.
2. Jamstvena usluga obuhvaća isključivo nedostatke nastale zbog greške na materijalu ili tijekom proizvodnje i ograničen je na uklanjanje tih nedostataka odnosno zamjenu uređaja. Molimo da obratite pažnju na to da naši uređaji nisu konstruirani za korištenje u komercijalne svrhe niti u obrtu i industriji. Prema tome, ugovor o jamstvu ne može se ostvariti ako se uređaj koristi u obrtničkim ili industrijskim pogonima kao i u sličnim djelatnostima. Nadalje su iz jamstva isključene usluge zamjene proizvoda u slučaju transportnih oštećenja, šteta zbog nepridržavanja uputa za montažu ili zbog nestručne instalacije, nepridržavanja uputa za uporabu (kao npr. zbog priključka na pogrešni mrežni napon ili vrstu struje), zbog zlorabe ili nestručnih primjena (kao npr. preopterećenje uređaja ili korištenje nedopuštenih alata ili pribora), u slučaju nepridržavanja uputa za održavanje i sigurnosnih odredbi, zbog prodiranja stranih tijela u uređaj (npr. pijeska, kamenja ili prašine), nasilne primjene ili vanjskih utjecaja (kao npr. oštećenja zbog pada) kao i zbog uobičajenog trošenja tijekom korištenja. To naročito vrijedi za baterije za koje ipak dajemo jamstvo od 12 mjeseci. Zahtjev za jamstvo prestaje biti valjan ako su na uređaju već izvršeni neki zahvati.
3. Jamstveni rok iznosi 3 godine a započinje s datumom kupnje uređaja. Jamstveni zahtjevi ostvaruju se prije isteka jamstvenog roka unutar dvije godine nakon što ste uočili kvar. Ostvarenje jamstvenog zahtjeva nakon isteka jamstvenog roka je isključeno. Popravkom ili zamjenom uređaja ne produljuje se jamstveni rok niti se tom uslugom ostvaruju novi jamstveni rok za uređaj ili ostale ugrađene rezervne dijelove. To također vrijedi i kod korištenja servisa na licu mjesta.
4. Da biste ostvarili svoj jamstveni zahtjev, molimo Vas da nam pošaljete neispravan uređaj bez plaćanja poštarine na dolje navedenu adresu. Priložite originalni račun za kupnju uređaja ili neki drugi dokaz o kupnji s datumom. Molimo Vas da zbog tog razloga dobro sačuvate račun kao dokaz! Što točnije opišite razlog reklamacije. Ako naša jamstvena usluga obuhvaća kvar nastao na Vašem uređaju, odmah ćemo Vam vratiti popravljene ili novi uređaj.

Razumljivo je da ćemo za naknadu troškova ukloniti i kvarove koje jamstvena usluga ne obuhvaća. U tom slučaju pošaljite uređaj na adresu našeg servisa.

Einhell Croatia d.o.o.

Velika Ves 2

HR-49224 Lepajci

Tel. 049 342 444 · Fax 049 342 392

Inhaltsverzeichnis

1. Einleitung	47
2. Sicherheitshinweise	47
3. Gerätebeschreibung und Lieferumfang	50
4. Bestimmungsgemäße Verwendung	50
5. Technische Daten	50
6. Vor Inbetriebnahme	51
7. Bedienung	51
8. Austausch der Netzanschlussleitung	52
9. Reinigung, Wartung und Ersatzteilbestellung	52
10. Lagerung	52
11. Entsorgung und Wiederverwertung	52
12. Konformitätserklärung	54
13. Garantieurkunde	55

Der Nachdruck oder sonstige Vervielfältigung von Dokumentation und Begleitpapieren der Produkte, auch auszugsweise, ist nur mit ausdrücklicher Zustimmung der iSC GmbH zulässig.

Technische Änderungen vorbehalten



Warnung - Zur Verringerung des Verletzungsrisikos Bedienungsanleitung lesen



Tragen Sie einen Gehörschutz. Die Einwirkung von Lärm kann Gehörverlust bewirken.



Tragen Sie eine Staubschutzmaske. Beim Bearbeiten von Holz und anderer Materialien kann gesundheitsschädlicher Staub entstehen. Asbesthaltiges Material darf nicht bearbeitet werden!



Tragen Sie eine Schutzbrille. Während der Arbeit entstehende Funken oder aus dem Gerät heraus-tretende Splitter, Späne und Stäube können Sichtverlust bewirken.

1. Einleitung

⚠ Achtung!

Beim Benutzen von Geräten müssen einige Sicherheitsvorkehrungen eingehalten werden, um Verletzungen und Schäden zu verhindern. Lesen Sie diese Bedienungsanleitung / Sicherheitshinweise deshalb sorgfältig durch. Bewahren Sie diese gut auf, damit Ihnen die Informationen jederzeit zur Verfügung stehen. Falls Sie das Gerät an andere Personen übergeben sollten, händigen Sie diese Bedienungsanleitung / Sicherheitshinweise bitte mit aus. Wir übernehmen keine Haftung für Unfälle oder Schäden, die durch Nichtbeachten dieser Anleitung und den Sicherheitshinweisen entstehen.

2. Sicherheitshinweise

⚠ Warnung

Lesen Sie alle Sicherheitshinweise und Anweisungen. Versäumnisse bei der Einhaltung der Sicherheitshinweise und Anweisungen können elektrischen Schlag, Brand und/oder schwere Verletzungen verursachen. **Bewahren Sie alle Sicherheitshinweise und Anweisungen für die Zukunft auf.**

Der in den Sicherheitshinweisen verwendete Begriff „Elektrowerkzeug“ bezieht sich auf netzbetriebene Elektrowerkzeuge (mit Netzkabel) und auf akkubetriebene Elektrowerkzeuge (ohne Netzkabel).

1. Arbeitsplatzsicherheit

- a) **Halten Sie Ihren Arbeitsbereich sauber und gut beleuchtet.** Unordnung oder unbeleuchtete Arbeitsbereiche können zu Unfällen führen.
- b) **Arbeiten Sie mit dem Elektrowerkzeug nicht in explosionsgefährdeter Umgebung, in der sich brennbare Flüssigkeiten, Gase oder Stäube befinden.** Elektrowerkzeuge erzeugen Funken, die den Staub oder die Dämpfe entzünden können.
- c) **Halten Sie Kinder und andere Personen während der Benutzung des**

Elektrowerkzeuges fern. Bei Ablenkung können Sie die Kontrolle über das Gerät verlieren.

2. Elektrische Sicherheit

- a) **Der Anschlussstecker des Elektrowerkzeuges muss in die Steckdose passen. Der Stecker darf in keiner Weise verändert werden. Verwenden Sie keine Adapterstecker gemeinsam mit schutzgeerdeten Elektrowerkzeugen.** Unveränderte Stecker und passende Steckdosen verringern das Risiko eines elektrischen Schlages.
- b) **Vermeiden Sie Körperkontakt mit geerdeten Oberflächen, wie von Rohren, Heizungen, Herden und Kühlschränken.** Es besteht ein erhöhtes Risiko durch elektrischen Schlag, wenn Ihr Körper geerdet ist.
- c) **Halten Sie Elektrowerkzeuge von Regen oder Nässe fern.** Das Eindringen von Wasser in ein Elektrogerät erhöht das Risiko eines elektrischen Schlages.
- d) **Zweckentfremden Sie das Kabel nicht, um das Elektrowerkzeug zu tragen, aufzuhängen oder um den Stecker aus der Steckdose zu ziehen. Halten Sie das Kabel fern von Hitze, Öl, scharfen Kanten oder sich bewegenden Geräteteilen.** Beschädigte oder verwickelte Kabel erhöhen das Risiko eines elektrischen Schlages.
- e) **Wenn Sie mit einem Elektrowerkzeug im Freien arbeiten, verwenden Sie nur Verlängerungskabel, die auch für den Außenbereich geeignet sind.** Die Anwendung eines für den Außenbereich geeigneten Verlängerungskabels verringert das Risiko eines elektrischen Schlages.
- f) **Wenn der Betrieb des Elektrowerkzeuges in feuchter Umgebung nicht vermeidbar ist, verwenden Sie einen Fehlerstromschutzschalter.** Der Einsatz eines Fehlerstromschutzschalters vermindert das Risiko eines elektrischen Schlages.

3. Sicherheit von Personen

- a) **Seien Sie aufmerksam, achten Sie darauf, was Sie tun, und gehen Sie mit Vernunft an die Arbeit mit einem Elektrowerkzeug. Benutzen Sie kein Elektrowerkzeug, wenn Sie müde sind oder unter Einfluss von Drogen, Alkohol oder Medikamenten stehen.**
Ein Moment der Unachtsamkeit beim Gebrauch des Elektrowerkzeuges kann zu ernsthaften Verletzungen führen.
- b) **Tragen Sie persönliche Schutzausrüstung und immer eine Schutzbrille.** Das Tragen persönlicher Schutzausrüstung, wie Staubmaske, rutschfeste Sicherheitsschuhe, Schutzhelm oder Gehörschutz, je nach Art und Einsatz des Elektrowerkzeuges, verringert das Risiko von Verletzungen.
- c) **Vermeiden Sie eine unbeabsichtigte Inbetriebnahme. Vergewissern Sie sich, dass das Elektrowerkzeug ausgeschaltet ist, bevor Sie es an die Stromversorgung und/oder den Akku anschließen, es aufnehmen oder tragen.** Wenn Sie beim Tragen des Elektrowerkzeuges den Finger am Schalter haben oder das Gerät eingeschaltet an die Stromversorgung anschließen, kann dies zu Unfällen führen.
- d) **Entfernen Sie Einstellwerkzeuge oder Schraubenschlüssel, bevor Sie das Elektrowerkzeug einschalten.** Ein Werkzeug oder Schlüssel, der sich in einem drehenden Geräteteil befindet, kann zu Verletzungen führen.
- e) **Vermeiden Sie eine abnormale Körperhaltung. Sorgen Sie für einen sicheren Stand und halten Sie jederzeit das Gleichgewicht.** Dadurch können Sie das Elektrowerkzeug in unerwarteten Situationen besser kontrollieren.
- f) **Tragen Sie geeignete Kleidung. Tragen Sie keine weite Kleidung oder Schmuck. Halten Sie Haare, Kleidung und Handschuhe fern von sich bewegenden Teilen.** Lockere Kleidung, Schmuck oder lange Haare können von sich bewegenden Teilen erfasst werden.

- g) **Wenn Staubabsaugeinrichtungen und Staubauffangeinrichtungen montiert werden können, vergewissern Sie sich, dass diese angeschlossen sind und richtig verwendet werden.** Verwendung einer Staubabsaugung kann Gefährdungen durch Staub verringern.

4. Verwendung und Behandlung des Elektrowerkzeuges

- a) **Überlasten Sie das Gerät nicht. Verwenden Sie für Ihre Arbeit das dafür bestimmte Elektrowerkzeug.** Mit dem passenden Elektrowerkzeug arbeiten Sie besser und sicherer im angegebenen Leistungsbereich.
- b) **Benutzen Sie kein Elektrowerkzeug, dessen Schalter defekt ist.** Ein Elektrowerkzeug, das sich nicht mehr ein- oder ausschalten lässt, ist gefährlich und muss repariert werden.
- c) **Ziehen Sie den Stecker aus der Steckdose und/oder entfernen Sie den Akku, bevor Sie Geräteeinstellungen vornehmen, Zubehörteile wechseln oder das Gerät weglegen.** Diese Vorsichtsmaßnahme verhindert den unabsichtlichen Start des Elektrowerkzeuges.
- d) **Bewahren Sie unbenutzte Elektrowerkzeuge außerhalb der Reichweite von Kindern auf. Lassen Sie Personen das Gerät nicht benutzen, die mit diesem Gerät nicht vertraut sind oder diese Anweisungen nicht gelesen haben.** Elektrowerkzeuge sind gefährlich, wenn sie von unerfahrenen Personen benutzt werden.
- e) **Pflegen Sie Elektrowerkzeuge mit Sorgfalt. Kontrollieren Sie, ob bewegliche Teile einwandfrei funktionieren und nicht klemmen, ob Teile gebrochen oder so beschädigt sind, dass die Funktion des Elektrowerkzeuges beeinträchtigt ist. Lassen Sie beschädigte Teile vor dem Einsatz des Gerätes reparieren.** Viele Unfälle haben ihre Ursache in schlecht gewarteten Elektrowerkzeugen.

- f) **Halten Sie Ihre Schneidwerkzeuge scharf und sauber.** Sorgfältig gepflegte Schneidwerkzeuge mit scharfen Schneidkanten verklemmen sich weniger und sind leichter zu führen.
- g) **Verwenden Sie Elektrowerkzeug, Zubehör Einsatzwerkzeuge usw. entsprechend diesen Anweisungen. Berücksichtigen Sie dabei die Arbeitsbedingungen und die auszuführende Tätigkeit.** Der Gebrauch von Elektrowerkzeugen für andere als die vorgesehenen Anwendungen kann zu gefährlichen Situationen führen.

5. Service

- a) **Lassen Sie Ihr Elektrowerkzeug nur von qualifiziertem Fachpersonal und nur mit Original-Ersatzteilen reparieren.** Damit wird sichergestellt, dass die Sicherheit des Elektrowerkzeuges erhalten bleibt.

Spezielle Sicherheitshinweise

- **Halten Sie das Gerät an den isolierten Griffflächen, wenn Sie Arbeiten ausführen, bei denen das Einsatzwerkzeug verborgene Stromleitungen oder das eigene Netzkabel treffen kann.** Der Kontakt mit einer spannungsführenden Leitung kann auch metallene Geräteteile unter Spannung setzen und zu einem elektrischen Schlag führen.
- Das Gerät nicht in einer Umgebung mit explosionsgefährlicher Atmosphäre betreiben. Keine Lösungsmittel oder lösungsmittel-haltigen Stoffe mit einem Flammpunkt unter 21 °C mischen.
- Legen Sie keine Kabel um irgendwelche Körperteile.
- Nur ein für den Arbeitsbereich zugelassenes Verlängerungskabel verwenden.
- Das Gerät nur im Mischgefäß an-/ auslaufen lassen. Für festen und sicheren Stand des Mischgefäßes sorgen.
- Bei laufenden Mischarbeiten nicht mit den Händen, oder Gegenständen in das Mischgefäß greifen.

- Bei der Arbeit mit der Rührmaschine ist das Tragen von Arbeitshandschuhen und einer Schutzbrille empfohlen.
- Das Tragen von enganliegender Kleidung ist Vorschrift.
- Rechnen Sie mit Reaktionsdrehmoment.
- Das Gerät ist mit einer Fehlerstromschutzrichtung (FI) mit einem Bemessungsauslösestrom von nicht mehr als 10mA abzusichern, um Gefährdungen zu vermeiden. Prüfen Sie diese in regelmäßigen Abständen.

Restrisiken

Auch bei sachgemäßer Verwendung des Gerätes bleibt immer ein gewisses Restrisiko, das nicht ausgeschlossen werden kann. Aus der Art und Konstruktion des Gerätes können die folgenden potentiellen Gefährdungen abgeleitet werden:

- Kontakt mit dem drehenden Werkzeug (Quetschverletzung)
- Hineingreifen in das drehende Werkzeug (Schnittverletzung)
- Schädigung des Gehöres, wenn kein vorgeschriebener Gehörschutz getragen wird
- elektrischer Schlag bei Berühren von nicht isolierten elektrischen Bauteilen.

Werden die in Ihrer Gebrauchsanweisung enthaltenen Anweisungen nicht beachtet, können aufgrund unsachgemäßer Benutzung andere Restrisiken auftreten.

Bewahren Sie die Sicherheitshinweise gut auf.

3. Gerätebeschreibung und Lieferumfang

3.1 Gerätebeschreibung (Bild 1/2)

1. Ein-/Ausschalter
2. Feststellknopf
3. Handgriff
4. Gabelschlüssel für Rührerwechsel
5. Rühreraufnahme
6. Rührer

3.2 Lieferumfang

- Öffnen Sie die Verpackung und nehmen Sie das Gerät vorsichtig aus der Verpackung.
- Entfernen Sie das Verpackungsmaterial sowie Verpackungs- und Transportsicherungen (falls vorhanden).
- Überprüfen Sie, ob der Lieferumfang vollständig ist.
- Kontrollieren Sie das Gerät und die Zubehörteile auf Transportschäden.
- Bewahren Sie die Verpackung nach Möglichkeit bis zum Ablauf der Garantiezeit auf.

Achtung!

Gerät und Verpackungsmaterial sind kein Kinderspielzeug! Kinder dürfen nicht mit Kunststoffbeuteln, Folien und Kleinteilen spielen! Es besteht Verschluckungs- und Erstickungsgefahr!

- Farb- und Mörtelrührer PFMR 1400 A1
- Rührer
- 2 Gabelschlüssel für Rührerwechsel

4. Bestimmungsgemäße Verwendung

Die Maschine ist zum Anmischen von flüssigen und pulverförmigen Baustoffen wie Farben, Mörtel, Kleber, Putze und ähnlichen Substanzen bestimmt. Je nach Materialkonsistenz und Mischungsmenge, ist der passende Rührer mit entsprechender Mischwirkung einzusetzen.

Die Maschine darf nur nach ihrer Bestimmung verwendet werden. Jede weitere darüber hinausgehende Verwendung ist nicht bestimmungsgemäß. Für daraus hervorgerufene Schäden oder Verletzungen aller Art haftet der Benutzer/Bediener und nicht der Hersteller.

Bitte beachten Sie, dass unsere Geräte bestimmungsgemäß nicht für den gewerblichen, handwerklichen oder industriellen Einsatz konstruiert wurden. Wir übernehmen keine Gewährleistung, wenn das Gerät in Gewerbe-, Handwerks- oder Industriebetrieben sowie bei gleichzusetzenden Tätigkeiten eingesetzt wird.

5. Technische Daten

Netzspannung: 230 V ~ 50 Hz
 Leistungsaufnahme: 1400 W
 Leerlauf-Drehzahl: 0-750 min⁻¹
 Rühreraufnahme: M 14
 Schutzklasse: II/□
 Gewicht ohne Rührer: 3,85 kg

Geräusch und Vibration

Die Geräusch- und Vibrationswerte wurden entsprechend EN 60745 ermittelt.

Schalldruckpegel L_{pA} 84,5 dB(A)
 Unsicherheit K_{pA} 3 dB
 Schallleistungspegel L_{WA} 95,5 dB(A)
 Unsicherheit K_{WA} 3 dB

Tragen Sie einen Gehörschutz.

Die Einwirkung von Lärm kann Hörverlust bewirken.

Schwingungsgesamtwerte (Vektorsumme dreier Richtungen) ermittelt entsprechend EN 60745.

Anrühren von Farbe und Mörtel

Schwingungsemissionswert $a_h = 2,92 \text{ m/s}^2$
 Unsicherheit $K = 1,5 \text{ m/s}^2$

Warnung!

Der angegebene Schwingungsemissionswert ist nach einem genormten Prüfverfahren gemessen worden und kann sich, abhängig von der Art und Weise, in der das Elektrowerkzeug verwendet wird, ändern und in Ausnahmefällen über dem angegebenen Wert liegen.

Der angegebene Schwingungsemissionswert kann zum Vergleich eines Elektrowerkzeuges mit einem anderen verwendet werden.

Der angegebene Schwingungsemissionswert kann auch zu einer einleitenden Einschätzung der Beeinträchtigung verwendet werden.

Beschränken Sie die Geräusentwicklung und Vibration auf ein Minimum!

- Verwenden Sie nur einwandfreie Geräte.
- Warten und reinigen Sie das Gerät regelmäßig.
- Passen Sie Ihre Arbeitsweise dem Gerät an.
- Überlasten Sie das Gerät nicht.
- Lassen Sie das Gerät gegebenenfalls überprüfen.
- Schalten Sie das Gerät aus, wenn es nicht benutzt wird.
- Tragen Sie Handschuhe.

Restrisiken

Auch wenn Sie dieses Elektrowerkzeug vorschriftsmäßig bedienen, bleiben immer Restrisiken bestehen. Folgende Gefahren können im Zusammenhang mit der Bauweise und Ausführung dieses Elektrowerkzeuges auftreten:

1. Lungenschäden, falls keine geeignete Staubschutzmaske getragen wird.
2. Gehörschäden, falls kein geeigneter Gehörschutz getragen wird.
3. Gesundheitsschäden, die aus Hand-Arm-Schwingungen resultieren, falls das Gerät über einen längeren Zeitraum verwendet wird oder nicht ordnungsgemäß geführt und gewartet wird.

6. Vor Inbetriebnahme

Überzeugen Sie sich vor dem Anschließen, dass die Daten auf dem Typenschild mit den Netzdaten übereinstimmen.

Ziehen Sie immer den Netzstecker, bevor Sie Einstellungen am Gerät vornehmen.

Montage Rührer (Abb. 2):

- Rührerteil (6a) mit dem Rührerteil (6b) fest verschrauben.
- Anschließend schrauben Sie den Rührer (6) in die Rühreraufnahme (5) ein.
- Verwenden Sie dazu zwei Gabelschlüssel (4).
- Mit einem Gabelschlüssel die Rühreraufnahme (5) festhalten und mit dem zweiten Gabelschlüssel den Rührer (6) festziehen.
- Um den Rührer zu entfernen, gehen Sie in umgekehrter Reihenfolge vor.

7. Bedienung**7.1 Ein-/Ausschalter (Bild 3/Pos. 1)**

- Montieren Sie zuerst einen geeigneten Rührer (6) am Gerät (siehe 6.)
- Verbinden Sie den Netzstecker mit einer geeigneten Steckdose.

Einschalten:

Ein-/Ausschalter (1) drücken.

Ausschalten:

Ein-/Ausschalter (1) loslassen.

Dauerbetrieb einschalten:

Ein-/Ausschalter (1) mit Feststellknopf (2) sichern.

Dauerbetrieb ausschalten:

Ein-/Ausschalter (1) kurz eindrücken.

7.2 Drehzahl einstellen (Bild 3/Pos. 1)

- Sie können die Drehzahl während des Betriebes stufenlos steuern.
- Durch mehr oder wenig starkes Drücken des Ein-/Ausschalters (1) wählen Sie die Drehzahl.

7.3 Arbeiten mit dem Rührgerät

Tauchen Sie den Rührer vorsichtig (mit reduzierter Drehzahl) in das Mischgut und seien Sie ebenfalls vorsichtig beim Herausnehmen. Nach dem der Rührer vollständig eingetaucht ist, können Sie die Geschwindigkeit steigern. Führen Sie den Rührer während des Mischvorgangs durch das Gefäß und mischen Sie so lange, bis das Mischgut vollständig durchmischt ist.

Nach Beendigung der Mischarbeiten den Rührer und das Gefäß reinigen. Spritzer von Mischgut auf dem Gerät mit einem trockenen Lappen abwischen.

8. Austausch der Netzanschlussleitung

Wenn die Netzanschlussleitung dieses Gerätes beschädigt wird, muss sie durch den Hersteller oder seinen Kundendienst oder eine ähnlich qualifizierte Person ersetzt werden, um Gefährdungen zu vermeiden.

9. Reinigung, Wartung und Ersatzteilbestellung

Ziehen Sie vor allen Reinigungsarbeiten den Netzstecker.

9.1 Reinigung

- Halten Sie Schutzvorrichtungen, Luftschlitze und Motorengehäuse so staub- und schmutzfrei wie möglich. Reiben Sie das Gerät mit einem sauberen Tuch ab oder blasen Sie es mit Druckluft bei niedrigem Druck aus.
- Wir empfehlen, dass Sie das Gerät direkt nach jeder Benutzung reinigen.
- Reinigen Sie das Gerät regelmäßig mit einem feuchten Tuch und etwas Schmierseife. Verwenden Sie keine Reinigungs- oder Lösungsmittel; diese könnten die Kunststoffteile des Gerätes angreifen. Achten Sie darauf, dass kein Wasser in das Geräteinnere gelangen kann.

9.2 Kohlebürsten

Bei übermäßiger Funkenbildung lassen Sie die Kohlebürsten durch eine Elektrofachkraft überprüfen. Achtung! Die Kohlebürsten dürfen nur von einer Elektrofachkraft ausgewechselt werden.

9.3 Wartung

Im Geräteinneren befinden sich keine weiteren zu wartenden Teile.

9.4 Ersatzteilbestellung:

Bei der Ersatzteilbestellung sollten folgende Angaben gemacht werden;

- Typ des Gerätes
- Artikelnummer des Gerätes
- Ident-Nummer des Gerätes

Aktuelle Preise und Infos finden Sie unter www.isc-gmbh.info

10. Lagerung

Lagern Sie das Gerät und dessen Zubehör an einem dunklen, trockenen und frostfreiem sowie für Kinder unzugänglichem Ort. Die optimale Lagertemperatur liegt zwischen 5 und 30 °C. Bewahren Sie das Elektrowerkzeug in der Originalverpackung auf.

11. Entsorgung und Wiederverwertung

Das Gerät befindet sich in einer Verpackung um Transportschäden zu verhindern. Diese Verpackung ist Rohstoff und ist somit wieder verwendbar oder kann dem Rohstoffkreislauf zurückgeführt werden. Das Gerät und dessen Zubehör bestehen aus verschiedenen Materialien, wie z.B. Metall und Kunststoffe. Führen Sie defekte Bauteile der Sondermüllentsorgung zu. Fragen Sie im Fachgeschäft oder in der Gemeindeverwaltung nach!



Nur für EU-Länder

Werfen Sie Elektrowerkzeuge nicht in den Hausmüll!

Gemäß europäischer Richtlinie 2002/96/EG über Elektro- und Elektronik-Altgeräte und Umsetzung in nationales Recht müssen verbrauchte Elektrowerkzeuge getrennt gesammelt werden und einer umweltgerechten Wiederverwertung zugeführt werden.

Recycling-Alternative zur Rücksendeaufforderung:
Der Eigentümer des Elektrogerätes ist alternativ anstelle Rücksendung zur Mitwirkung bei der sachgerechten Verwertung im Falle der Eigentumsaufgabe verpflichtet. Das Altgerät kann hierfür auch einer Rücknahmestelle überlassen werden, die eine Beseitigung im Sinne der nationalen Kreislaufwirtschafts- und Abfallgesetze durchführt. Nicht betroffen sind den Altgeräten beigefügte Zubehörteile und Hilfsmittel ohne Elektrobestandteile.

12. Konformitätserklärung

Einhell Germany AG · Wiesenweg 22 · D-94405 Landau/Isar



Konformitätserklärung

- D** erklärt folgende Konformität gemäß EU-Richtlinie und Normen für Artikel
- GB** explains the following conformity according to EU directives and norms for the following product
- F** déclare la conformité suivante selon la directive CE et les normes concernant l'article
- I** dichiara la seguente conformità secondo la direttiva UE e le norme per l'articolo
- NL** verklaart de volgende overeenstemming conform EU richtlijn en normen voor het product
- E** declara la siguiente conformidad a tenor de la directiva y normas de la UE para el artículo
- P** declara a seguinte conformidade, de acordo com a directiva CE e normas para o artigo
- DK** attesterer følgende overensstemmelse i medfør af EU-direktiv samt standarder for artikel
- S** förklarar följande överensstämmelse enl. EU-direktiv och standarder för artikeln
- FIN** vakuuttaa, että tuote täyttää EU-direktiivin ja standardien vaatimukset
- EE** tõendab toote vastavust EL direktiivile ja standarditele
- CZ** vydává následující prohlášení o shodě podle směrnice EU a norem pro výrobek
- SLO** potrjuje sledečo skladnost s smernico EU in standardi za izdelak
- SK** vydáva nasledujúce prehlásenie o zhode podľa smernice EÚ a noriem pre výrobok
- H** a cikkekez az EU-irányvonal és Normák szerinti következő konformitást jelenti ki
- PL** deklaruje zgodność wymienionego poniżej artykułu z następującymi normami na podstawie dyrektywy WE.
- BG** декларира съответното съответствие съгласно Директива на ЕС и норми за артикул
- LV** paskaidro šādu atbilstību ES direktīvai un standartiem
- LT** apibūdina šį atitikimą EU reikalavimams ir prekės normoms
- RO** declară următoarea conformitate conform directivei UE și normelor pentru articolul
- GR** δηλώνει την ακόλουθη συμμόρφωση σύμφωνα με την Οδηγία ΕΚ και τα πρότυπα για το προϊόν
- HR** potvrđuje sljedeću usklađenost prema smjernicama EU i normama za artikl
Izjava o sukladnosti za ovaj proizvod dostupna je na internet stranici www.lidl.hr.
- BIH** potvrđuje sljedeću usklađenost prema smjernicama EU i normama za artikl
- RS** potvrđuje sledeću usklađenost prema smernicama EZ i normama za artikla
- RUS** следующим удостоверяется, что следующие продукты соответствуют директивам и нормам ЕС
- UKR** проголошує про зазначену нижче відповідність виробу директивам та стандартам ЄС на виріб
- MK** ja izjavува slednata сообразност согласно ЕУ-директивата и нормите за артикли
- TR** Ürünü ile ilgili AB direktifleri ve normları gereğince aşağıda açıklanan uygunluğu belirtir
- N** erklærer følgende samsvar i henhold til EU-direktivet og standarder for artikkel
- IS** Lýsir uppfyllingu EU-reglna og annarra staðla vöru

Farb- und Mörtelrührer PFMR 1400 A1 (Parkside)

- 87/404/EC_2009/105/EC
- 2005/32/EC_2009/125/EC
- 2006/95/EC
- 2006/28/EC
- 2004/108/EC
- 2004/22/EC
- 1999/5/EC
- 97/23/EC
- 90/396/EC_2009/142/EC
- 89/686/EC_96/58/EC
- 2011/65/EC
- 2006/42/EC
- Annex IV
Notified Body:
Notified Body No.:
Reg. No.:
- 2000/14/EC_2005/88/EC
- Annex V
- Annex VI
Noise measured: LWA = dB (A); guaranteed LWA = dB (A)
P = KW; L/Ø = cm
Notified Body:
- 2006/28/EC
Emission No.:

**Standard references: EN 60745-1; EN 60745-2-1;
EN 55014-1; EN 55014-2; EN 61000-3-2; EN 61000-3-3**

Landau/Isar, den 14.09.2011

Weichselgartner/General-Manager

Unger/Product-Management

First CE: 11
Art.-No.: 42.585.91 I.-No.: 11011
Subject to change without notice

Archive-File/Record: NAPR001960
Documents registrar: Georg Riedel
Wiesenweg 22, D-94405 Landau/Isar

13. Garantiekunde

Sehr geehrte Kundin, sehr geehrter Kunde,

unsere Produkte unterliegen einer strengen Qualitätskontrolle. Sollte dieses Gerät dennoch einmal nicht einwandfrei funktionieren, bedauern wir dies sehr und bitten Sie, sich an unseren Servicedienst unter der auf dieser Garantiekarte angegebenen Adresse zu wenden. Gern stehen wir Ihnen auch telefonisch über die unten angegebene Servicenummer zur Verfügung. Für die Geltendmachung von Garantieansprüchen gilt folgendes:

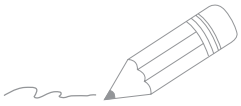
1. Diese Garantiebedingungen regeln zusätzliche Garantieleistungen. Ihre gesetzlichen Gewährleistungsansprüche werden von dieser Garantie nicht berührt. Unsere Garantieleistung ist für Sie kostenlos.
2. Die Garantieleistung erstreckt sich ausschließlich auf Mängel, die auf Material- oder Herstellungsfehler zurückzuführen sind und ist auf die Behebung dieser Mängel bzw. den Austausch des Gerätes beschränkt. Bitte beachten Sie, dass unsere Geräte bestimmungsgemäß nicht für den gewerblichen, handwerklichen oder industriellen Einsatz konstruiert wurden. Ein Garantievertrag kommt daher nicht zustande, wenn das Gerät in Gewerbe-, Handwerks- oder Industriebetrieben sowie bei gleichzusetzenden Tätigkeiten eingesetzt wird. Von unserer Garantie sind ferner Ersatzleistungen für Transportschäden, Schäden durch Nichtbeachtung der Montageanleitung oder aufgrund nicht fachgerechter Installation, Nichtbeachtung der Gebrauchsanleitung (wie durch z.B. Anschluss an eine falsche Netzspannung oder Stromart), missbräuchliche oder unsachgemäße Anwendungen (wie z.B. Überlastung des Gerätes oder Verwendung von nicht zugelassenen Einsatzwerkzeugen oder Zubehör), Nichtbeachtung der Wartungs- und Sicherheitsbestimmungen, Eindringen von Fremdkörpern in das Gerät (wie z.B. Sand, Steine oder Staub), Gewaltanwendung oder Fremdeinwirkungen (wie z. B. Schäden durch Herunterfallen) sowie durch verwendungsgemäßen, üblichen Verschleiß ausgeschlossen. Dies gilt insbesondere für Akkus, auf die wir dennoch eine Garantiezeit von 12 Monaten gewähren. Der Garantieanspruch erlischt, wenn an dem Gerät bereits Eingriffe vorgenommen wurden.
3. Die Garantiezeit beträgt 3 Jahre und beginnt mit dem Kaufdatum des Gerätes. Garantieansprüche sind vor Ablauf der Garantiezeit innerhalb von zwei Wochen, nachdem Sie den Defekt erkannt haben, geltend zu machen. Die Geltendmachung von Garantieansprüchen nach Ablauf der Garantiezeit ist ausgeschlossen. Die Reparatur oder der Austausch des Gerätes führt weder zu einer Verlängerung der Garantiezeit noch wird eine neue Garantiezeit durch diese Leistung für das Gerät oder für etwaige eingebaute Ersatzteile in Gang gesetzt. Dies gilt auch bei Einsatz eines Vor-Ort-Services.
4. Für die Geltendmachung Ihres Garantieanspruches übersenden Sie bitte das defekte Gerät portofrei an die unten angegebene Adresse. Fügen Sie den Verkaufsbeleg im Original oder einen sonstigen datierten Kaufnachweis bei. Bitte bewahren Sie deshalb den Kassenbon als Nachweis gut auf! Beschreiben Sie uns bitte den Reklamationsgrund möglichst genau. Ist der Defekt des Gerätes von unserer Garantieleistung erfasst, erhalten Sie umgehend ein repariertes oder neues Gerät zurück.

Selbstverständlich beheben wir gegen Erstattung der Kosten auch gerne Defekte am Gerät, die vom Garantiefumfang nicht oder nicht mehr erfasst sind. Dazu senden Sie das Gerät bitte an unsere Serviceadresse.



A series of horizontal lines for writing, starting from the top right of the pencil illustration and extending across the page.





Handwriting practice lines consisting of 20 horizontal lines. The first two lines are slightly indented from the left margin, while the remaining 18 lines span the full width of the page.





IAN: 70714 PFMR 1400 A1

Einhell Germany AG

Wiesenweg 22
D-94405 Landau/Isar

Last Information Update · Informationsstatus · Tilstand af information
Stanje informacija · Stand der Informationen: 11/2011
Ident.-No.: 42.585.91 112011 - SE DK HR

IAN 70714

