



User Manual

FERREX® ELECTRIC GRASS TRIMMER F-ERT 450-1 UK



Original instructions

Great care has gone into the manufacture of this product and it should therefore provide you with years of good service when used properly. In the event of product failure within its intended use over the course of the first 3 years after date of purchase, we will remedy the problem as quickly as possible once it has been brought to our attention. In the unlikely event of such an occurrence, or if you require any information about the product, please contact us via our helpline support services, details of which are to be found both in this manual and on the product itself.



PRODUCED IN CHINA FOR:

ALDI STORES LTD. PO BOX 26, ATHERSTONE
WARWICKSHIRE, CV9 2SH.

ALDI STORES (IRELAND) LTD.
PO BOX 726, NAAS, CO. KILDARE.
www.aldi.com

AFTER SALES SUPPORT 803998

GB 0044 151 649 1500 IE 0044 1890 946 244

www.einhell.co.uk

MODEL: F-ERT 450-1 UK 03/2021

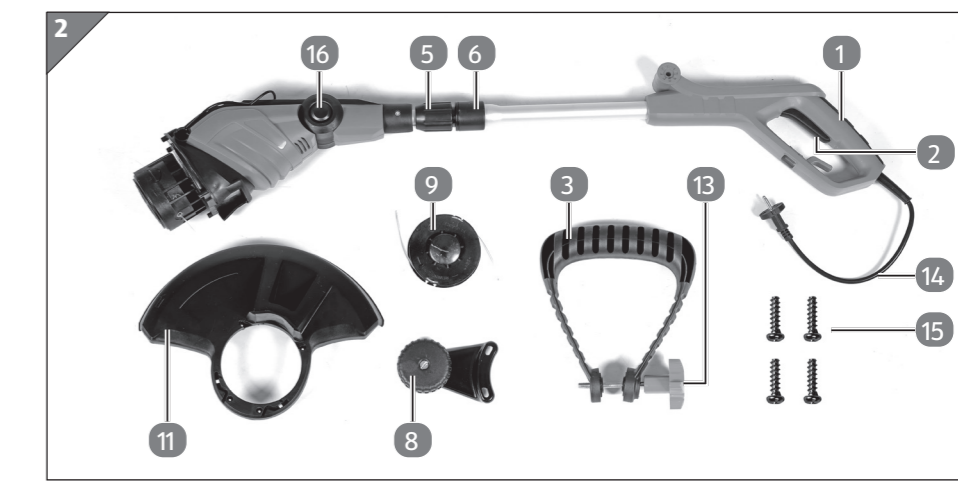
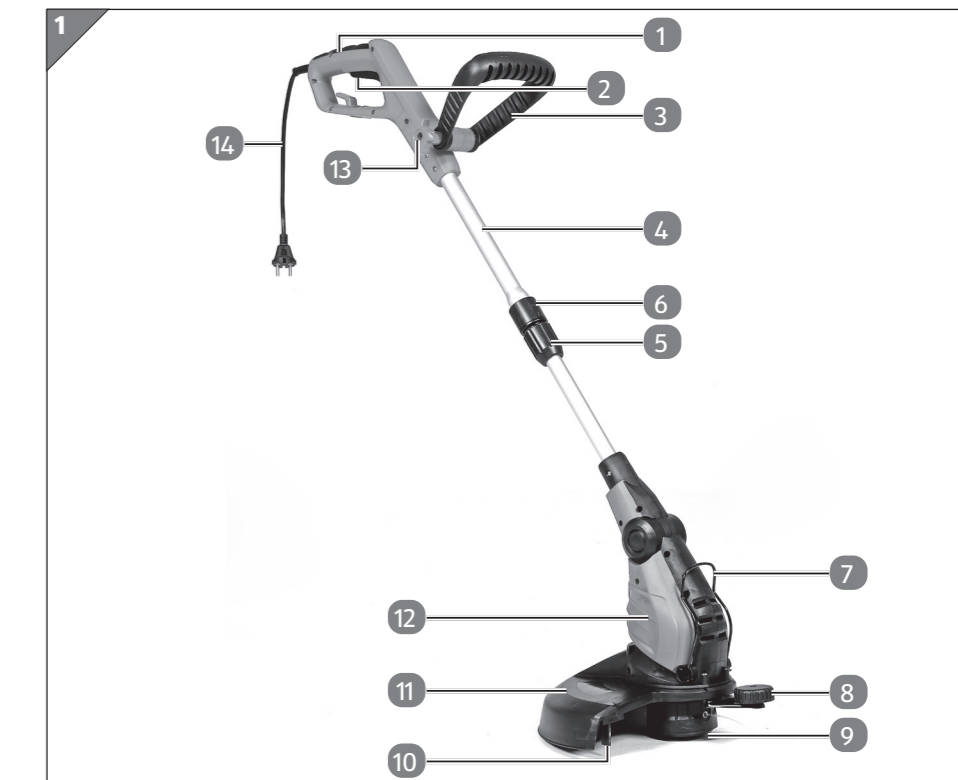
3
YEAR
WARRANTY

EH 11/2020 (01)

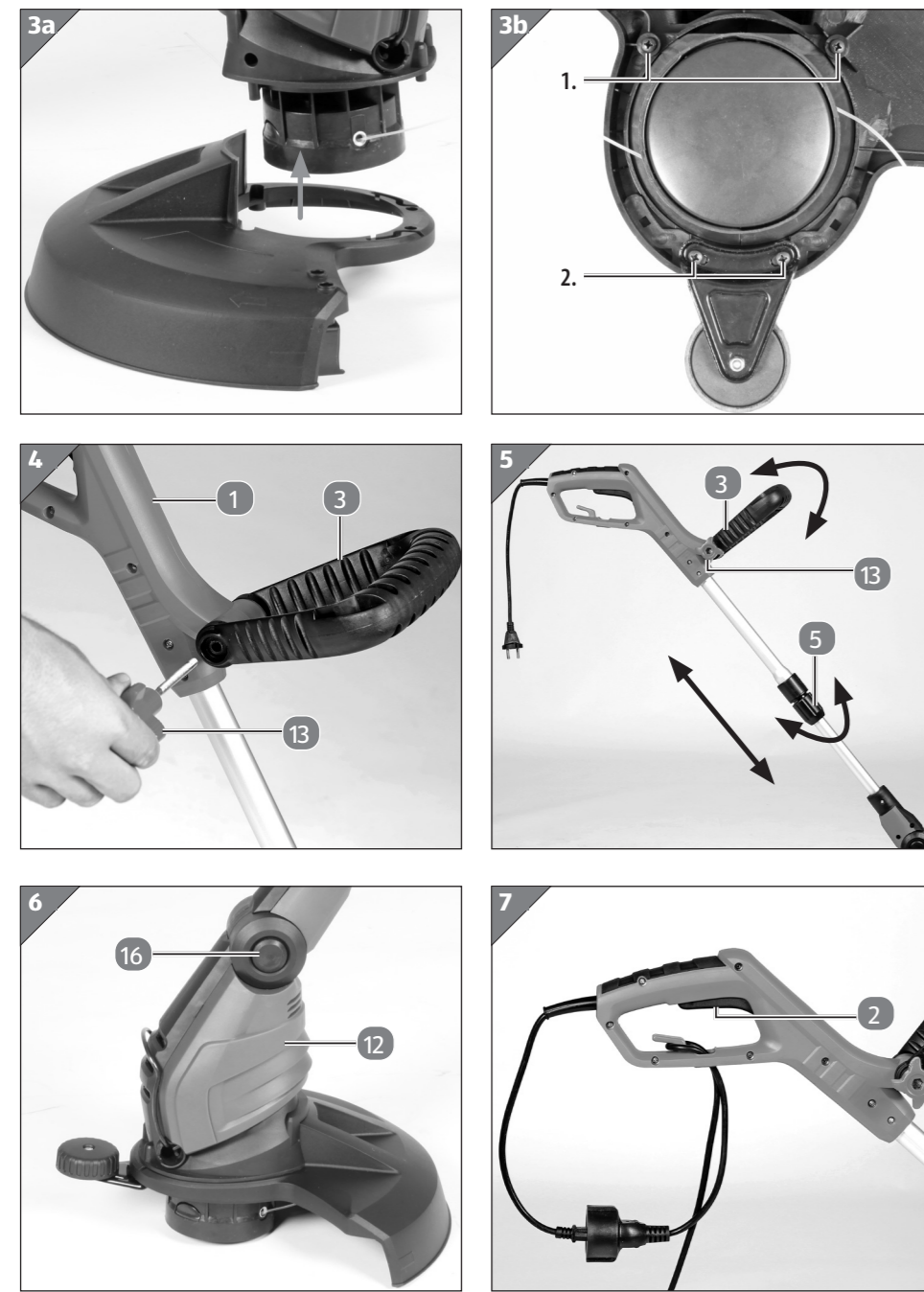
Contents

- Package contents..... 3**
- General information..... 8**
 - Reading and storing the user manual 8
 - Explanation of symbols 8
- Safety 11**
 - Intended use 11
 - Residual hazards..... 12
 - Safety information..... 13
- Using for the first time 23**
 - Checking the grass trimmer and items supplied 23
 - Before using for the first time 24
- Operation..... 26**
- Cleaning and maintenance..... 29**
 - Cleaning the grass trimmer 30
 - Replacing the line spool 30
 - Replacing the power cable 31
- Transport 31**
- Storage 32**
- Spare parts and accessories 32**
- Technical data 33**
- Noise/vibration information 34**
- Disposal..... 36**
 - Disposing of the packaging 36
 - Disposing of the grass trimmer 36
- Troubleshooting guide 37**
- Declaration of conformity 38**

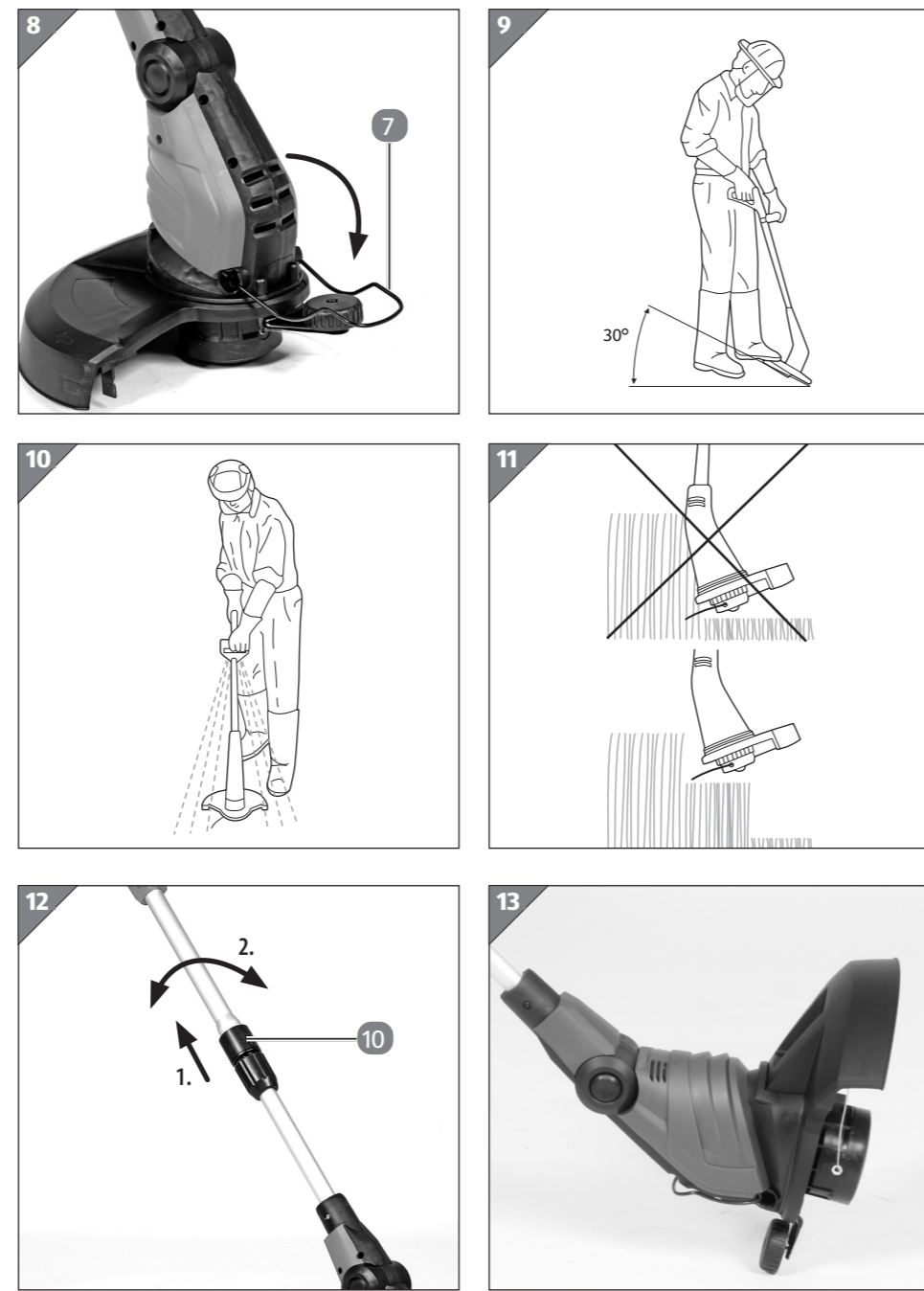
Package contents



Package contents



Package contents



Package contents

