

- ⓐ **Operating Instructions**
Diesel Generator
- ⓓⓃ **Betjeningsvejledning**
dieselgenerator
- Ⓢ **Bruksanvisning**
Dieseldriven strömgenerator
- Ⓕ **Käyttöohje**
Dieselläyttöinen sähkögeneraattori
- Ⓔ **Kasutusjuhend**
Diisलगeneraatori
- ⓁⓋ **Lietošanas instrukcija**
Dīzelģenerators
- ⓁⓉ **Naudojimo instrukcija**
Dyzelinis generatorius

Superior

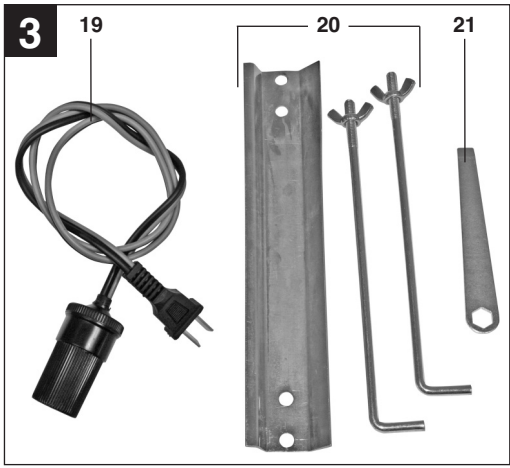
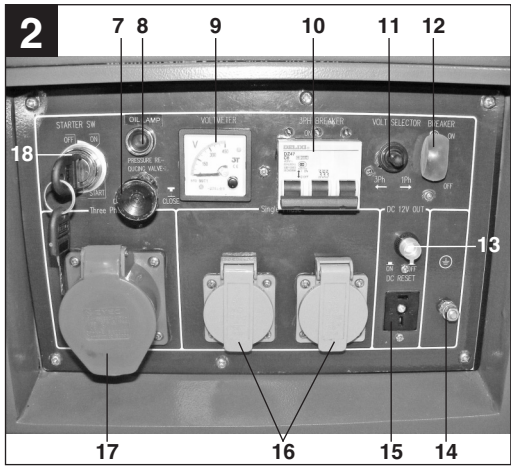
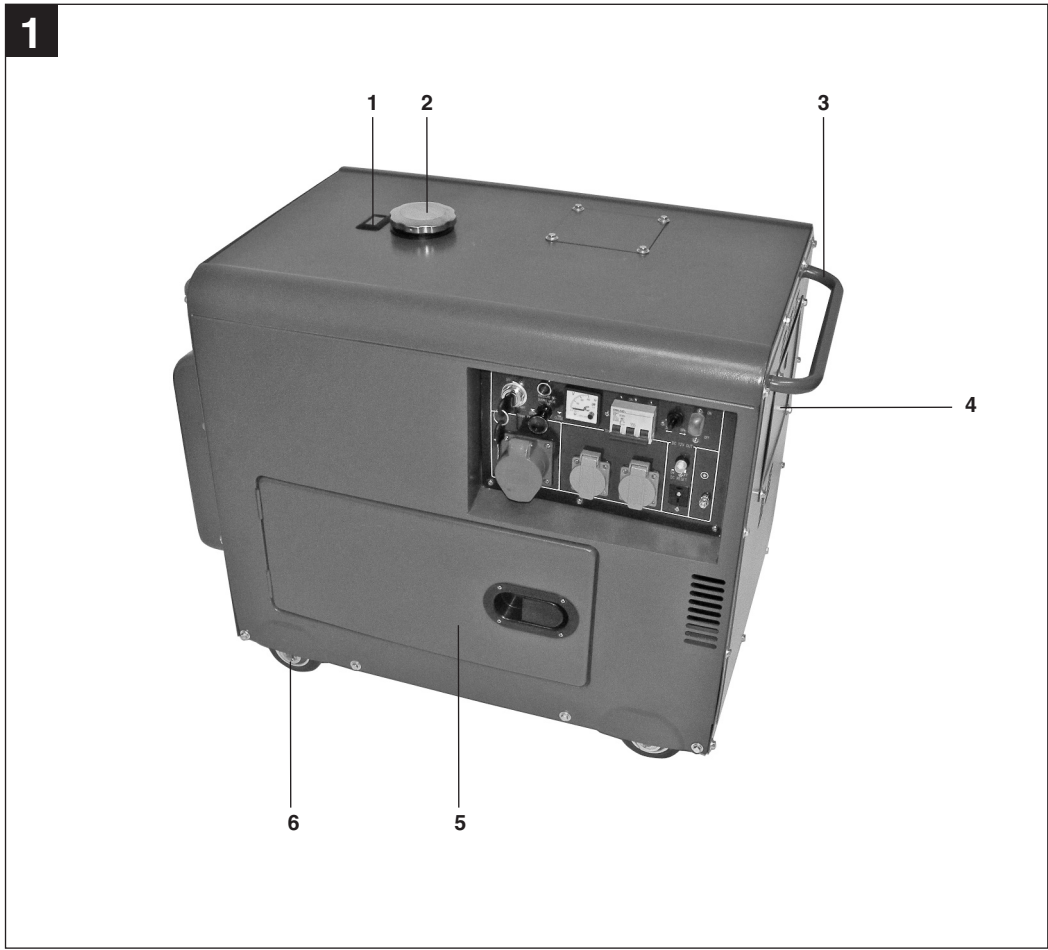
7

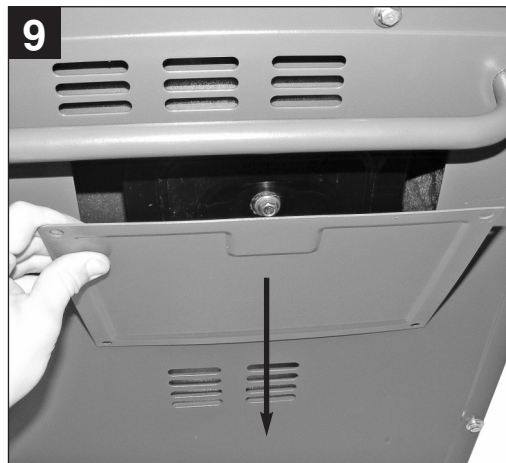
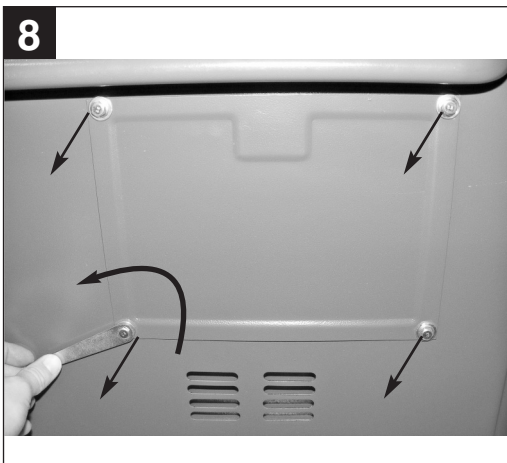
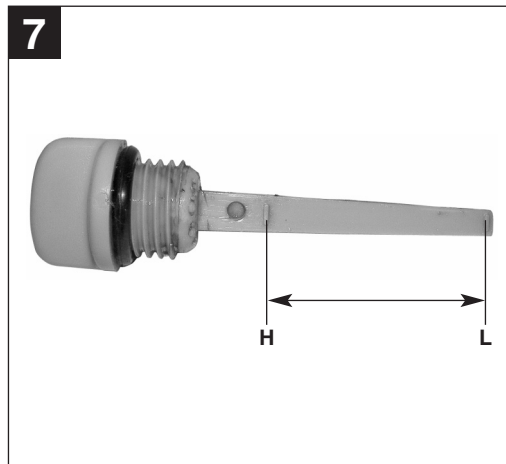
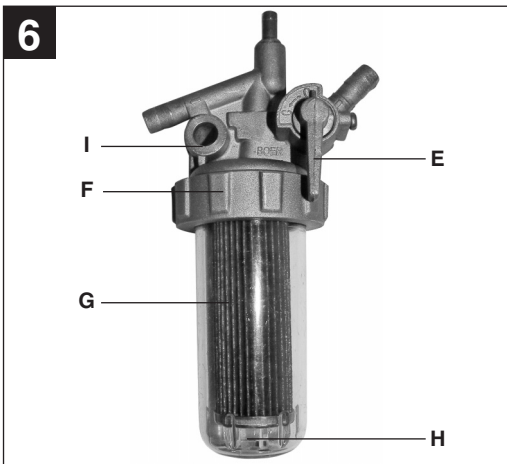
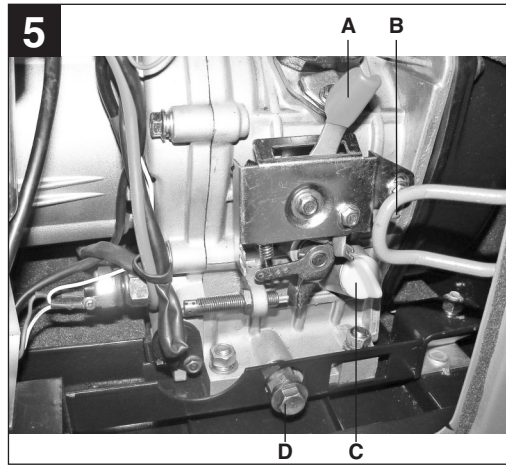
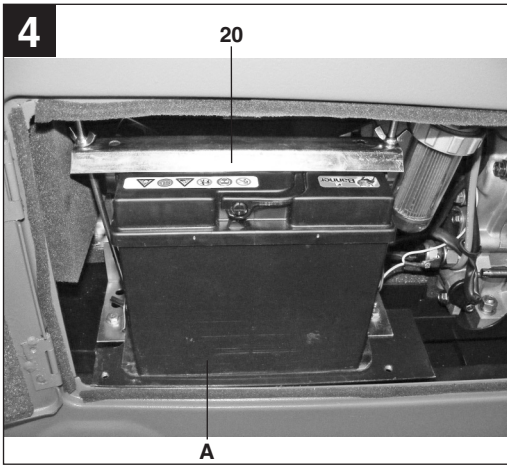
CE

Art.-Nr.: 41.523.55

I.-Nr.: 01018

5000 DD





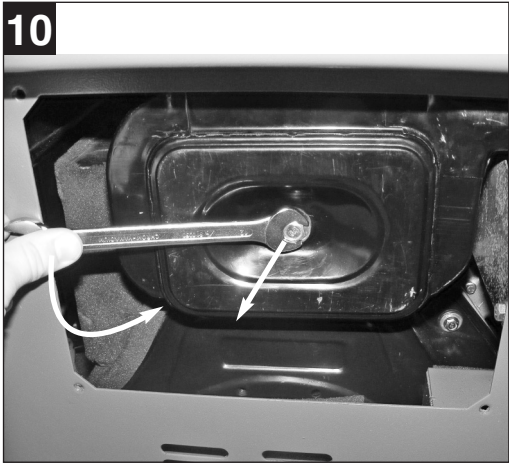


Table of contents

1. Safety regulations
2. Layout
3. Items supplied
4. Intended use
5. Technical data
6. Before starting the equipment
7. Operation
8. Maintenance
9. Winter operation
10. Ordering spare parts
11. Disposal and recycling
12. Troubleshooting guide

GB**⚠ Important!**

When using the equipment, a few safety precautions must be observed to avoid injuries and damage. Please read the complete operating instructions and safety regulations with due care. Keep this manual in a safe place, so that the information is available at all times. If you give the equipment to any other person, hand over these operating instructions and safety regulations as well. We cannot accept any liability for damage or accidents which arise due to a failure to follow these instructions and the safety instructions.

1. Safety regulations

The corresponding safety information can be found in the enclosed booklet.

⚠ CAUTION!**Read all safety regulations and instructions.**

Any errors made in following the safety regulations and instructions may result in an electric shock, fire and/or serious injury.

Keep all safety regulations and instructions in a safe place for future use.

2. Layout (Fig. 1/2)

1. Tank indicator
2. Tank cover
3. Push bar
4. Air filter cover
5. Servicing cover
6. Castors
7. Decompression cable
8. Warning light for oil pressure
9. Voltmeter
10. Safety trip 400V 3~
11. Selector switch for 230V~/400V 3~
12. Safety trip 230V~
13. 1x 12V DC safety trip
14. Earthing connection
15. 1x 12V DC connector
16. 2x 230V sockets
17. 1x 400V 3~ socket
18. Ignition lock

3. Items supplied (Fig. 1-3)

- Generator
- 12V adapter cable (Fig. 3/Item 19)
- Battery mounting kit (Fig. 3/Item 20)
- Ring spanner (Fig. 3/Item 21)

4. Proper use

The device is designed for all applications that require a 230V/400V alternating voltage or 12V direct voltage supply. Be sure to observe the restrictions in the additional safety instructions. The generator is intended to provide electric tools and light sources with electricity. When using the device with household appliances, please check their suitability in accordance with the relevant manufacturer's instructions. In case of doubt, ask an authorized dealer.

The machine is to be used only for its prescribed purpose. Any other use is deemed to be a case of misuse. The user / operator and not the manufacturer will be liable for any damage or injuries of any kind caused as a result of this.

Please note that our equipment has not been designed for use in commercial, trade or industrial applications. Our warranty will be voided if the machine is used in commercial, trade or industrial businesses or for equivalent purposes.

5. Technical data

Generator	Synchronous
Protection type	IP 23
Continuous power S1	4400 W/400 V; 3000 W/230 V
Maximum power S2 (max. 5 min)	5000W/400 V; 3300 W/230 V
Continuous power S1 (12 V d.c.)	100 W
Rated voltage	2x 230V~/1x 400V~/1x 12V d. c.
Rated current	13 A (230V~/) / 6.3 A (400V 3~/)
Frequency	50Hz
Displacement	418 ccm
Motor rating	7.36 kW / 10 hp
Fuel	Diesel
Tank capacity	16 liters
Engine oil:	1.65 l (15W40)
Weight	182 kg
Sound pressure level L_{pA} :	74.27 dB(A)
Sound power level L_{WA} /Uncertainty K:	94.27 dB (A)/1.73 dB(A)
Power factor $\cos \varphi$:	0.8
Power class:	G1
Max. altitude (above mean sea level):	1000 m

Operating mode S1 (continuous operation)

The machine can be continuously operated with the quoted power output.

Operating mode S2 (temporary operation)

The machine may be temporarily operated with the quoted power output. Afterwards the machine must be stopped for a while to prevent it from overheating.

6. Before starting the equipment

Important. The equipment must be filled with engine oil and diesel fuel before it is started.

- Prepare and connect the battery (**Important.** The battery is not included.) Secure the battery (Fig. 4/Item A) in the unit using the battery mounting kit (Fig. 3/Item 20). First connect the red cable (+) and then the black cable (-) to the battery.
- Check the diesel fuel level and top it up if necessary.
- Make sure that the device has sufficient ventilation.
- Inspect the immediate vicinity of the generator.
- Disconnect any electrical equipment which may already be connected to the generator.

6.1 Electrical safety:

- Electric supply cables and connected equipment must be in perfect condition.
- The generator is to be operated only with equipment whose voltage specifications conform with the generator's output voltage.
- Never connect the generator to the power supply (socket-outlet).
- Keep the cable length to the consumer as short as possible.

6.2 Environmental protection

- Dispose of soiled maintenance material and operating materials at the appropriate collection point.
- Recycle packaging material, metal and plastics.

6.3 Connecting to earth

The housing is allowed to be connected to earth in order to discharge static electricity. To do this, connect one end of a cable to the earth connection on the generator (Fig. 2/Item 14) and the other end to an external earth (for example an earthing rod).

GB

7. Operation

7.1 Starting the engine

- Check whether the mechanical switch (Fig. 5/Item A) is set to "RUN".
- Open the fuel cock (Fig. 6/Item E).
- Set the ON/OFF switch (Fig. 2/Item 18) to the "ON" position using the key.
- Pull the decompression cable (Fig. 2/Item 7) and turn the ON/OFF switch to "Start" using the key. Release the decompression switch after approx. 5 seconds and the engine will start.
- When the engine is running, turn the ON/OFF switch to "ON".
- If the engine does not start straight away (particularly if the tank was previously empty or after you have replaced the diesel filter), repeat the starting procedure by pulling the decompression cable again.

7.2 Connecting consumers to the generator

- Set the selector switch (Fig. 2/Item 11) to the left to use 230V~ sockets.
Important: Even though the continuous power (S1) of 3000 W is equally divided to the 2 sockets in this position, each individual socket may also be loaded with 3000 W. The total load of the two sockets may temporarily (S2) reach a maximum of 3300 W for 5 min.
- Set the selector switch (Fig. 2/Item 11) to the right to activate the 400V 3~ socket.
Important: This socket may be exposed to a continuous (S1) load of 4400W and temporarily (S2) for a maximum of 5 minutes to a load of 5000W.
- The generator is suitable for alternating voltage appliances for 230 V~ and 400 V 3~.
- The generator may also be exposed to a continuous load of 12 V DC 100 W (Fig. 2/Item 15).
- Do not connect the generator to the household mains system as this may result in damage to the generator itself or to other electrical appliances in your home.

Note: Some electrical appliances (power jigsaws, drills, etc.) may have a higher level of power consumption when used in difficult conditions

Some electrical appliances (for example televisions, computers, etc.) should not be powered by a generator. If in doubt, consult the manufacturer of your appliance.

7.3 Overload cut-out

The generator is fitted with an overload cut-out. This isolates the relevant sockets if an overload occurs.

Important. If this happens, reduce the electric power you are taking from the generator or remove any defective connected appliances.

Important. Defective overload cut-outs must be replaced only by overload cut-outs of identical design and with the same performance data. If repairs are necessary, please contact your customer service center.

12V DC connector

If an overload occurs, the 12V DC connector (Fig. 2/Item 15) will be isolated from the supply. The 12V DC connector can be reconnected by pressing the overload switch Fig. 2/Item 13).

230V~ sockets

If an overload occurs, the 230V~ sockets (Fig. 2/Item 16) will be isolated from the supply. You can restart the 230V~ sockets by pressing the overload switch (Fig. 2/Item 12).

400V 3~ socket

If an overload occurs, the 400V 3~ socket (Fig. 2/Item 17) will be isolated from the supply. You can restart the 400V 3~ sockets by pressing the overload switch (Fig. 2/Item 10).

7.4 Switching off the engine

- Before you switch off the generator, allow it to run briefly with no consumers so that it can "cool down".
- Move the ON/OFF switch (Fig. 2/Item 18) to position "OFF" using the key.
- Close the fuel cock.

Note: The engine can also be stopped by pressing the mechanical switch (Fig. 5/Item B). Before it is restarted in this case, the lever (Fig. 5/Item A) must be moved back to the right until it engages.

8. Maintenance

Shut down the engine before doing any cleaning and maintenance work on the unit.

Remove dust and dirt from the machine at regular intervals. Cleaning is best carried out with a fine brush or a cloth.

- Never use caustic agents to clean plastic parts.
- Take the diesel mixture out of the generator if you do not intend to use it for a lengthy period of time

Important: Switch off the machine immediately and contact your service station:

- In the event of unusual vibrations or noise.
- If the engine appears to be overloaded or runs unevenly.

8.1 Changing the oil and checking the oil level (before using the machine)

The engine oil should be changed for the first time when the engine is warm after approx. 20 hours of service. After this the engine oil must be changed every 150 hours of service when the engine is warm.

- Use only engine oil (15W40)
- Place the generator unit on a suitable flat surface
- Undo the oil filler screw (Fig. 5/Item C)
- Undo the oil drain screw (Fig. 5/Item D) and drain the warm engine oil through the drain channel into a container.
- After all the oil has drained out, tighten the oil drain screw and clean the drain channel with a cloth.
- Add engine oil up to the top mark on the oil dipstick.

Important: Do not screw the dipstick in to check the oil level, simply insert it up to the thread.

- Dispose of the waste oil properly.

8.2 Cleaning the air filter (see Fig. 8-13)

- Check the air filter before every use, clean or replace it if necessary.
- Do not use abrasive cleaning agents or petrol to clean the elements.
- Clean the elements by tapping them on a flat surface.

8.3 Cleaning the diesel filter (Fig. 6)

The diesel filter (Fig. 6/Item G) must be cleaned if impurities can be seen in the inspection window (Fig. 6/Item H). To clean the diesel filter you will need a funnel connected to a petrol/diesel-resistant fuel hose, petrol/diesel-resistant gloves and an empty diesel fuel canister (IMPORTANT: never mix petrol and diesel).

- Close the fuel cock (Fig. 6/Item E).
- Loosen the knurled nut (Fig. 6/Item F).
- Insert the fuel hose connected to the funnel into the diesel canister and hold the funnel under the inspection window (Fig. 6/Item H).
- Undo the knurled nut (Fig. 6/Item F) completely and drain the clean residual quantity of diesel from the inspection window into the funnel.
- Mop up the contaminated residual quantity of diesel using cleaning paper. Clean the inspection window.
- Pull the diesel filter downwards off the diesel filter holder, remove the remains of the dirt on the diesel filter with the cleaning paper using a little diesel fuel if necessary, or if it is damaged replace the diesel filter. Dispose of the cleaning paper.
- Assemble in reverse order.

8.4 Draining the tank

- To drain the tank, proceed initially as if you were cleaning the diesel filter.
- After removing the diesel filter, position the funnel under the diesel filter holder (Fig. 6/Item I) and open the fuel cock (Fig. 6/Item E).
- Drain the diesel fuel out of the tank through the funnel and into the diesel canister. (IMPORTANT: Ensure that the diesel canister is large enough to hold all the fuel left in the tank!).
- If necessary the draining process can be stopped by closing the fuel cock.
- After the draining process has been completed, re-assemble the device as described in point 8.3.

9. Winter operation

Since the generator is powered by a diesel engine, special precautions must be taken for using it in the winter.

Use "winter diesel" to operate the diesel generator in outdoor temperatures between -3°C to -10°C. The change to winter diesel takes place at different times depending on the country concerned, it is general around the end of October. You can ask at your filling station when this change should be made.

GB

- If you use the diesel generator regularly, you do not need to take any precautions since the change to winter diesel takes place automatically.
- If you do not use the generator for a lengthy period during autumn, but then wish to use it again in winter, we recommend that you keep the tank almost empty or drain it as described in point 8.4.
- Ask at your filling station when you should change to winter diesel and fill the tank with winter diesel before the onset of outdoor temperatures of between -3°C and -10°C.
- If the diesel fuel still freezes, you must move the diesel generator to a place where the temperature is approximately +10°C for a period of approximately 12 hours.
- If the tank is between halfway and full with normal diesel fuel, this should then be drain as described in point 8.4.
- Then fill the tank with winter diesel.
- If the tank is between empty and half-full, simply fill it up with winter diesel.

10. Ordering replacement parts

Please quote the following data when ordering replacement parts:

- Type of machine
- Article number of the machine
- Identification number of the machine
- Replacement part number of the part required

For our latest prices and information please go to www.isc-gmbh.info

11. Disposal and recycling

The unit is supplied in packaging to prevent its being damaged in transit. This packaging is raw material and can therefore be reused or can be returned to the raw material system.

The unit and its accessories are made of various types of material, such as metal and plastic.

Defective components must be disposed of as special waste. Ask your dealer or your local council.

12. Troubleshooting

Fault	Cause	Remedy
Engine does not start	<ul style="list-style-type: none"> - Oil pressure switch tripped (red LED (Fig. 2/Item 8)) - No diesel fuel - Mechanical switch (Fig. 5/Item A) set to "STOP" - Diesel filter blocked - Air filter dirty - Diesel filter frozen due to low out door temperature 	<ul style="list-style-type: none"> - Check oil level, top up with engine oil - Top up with diesel fuel - Set mechanical switch to "RUN" - Clean or replace the diesel filter - Clean or replace the air filter - Proceed as described in the point entitled "Winter operation"
Generator has too little or no voltage	<ul style="list-style-type: none"> - Controller or capacitor defective - Overcurrent circuit-breaker has tripped - Carbon brushes in generator worn 	<ul style="list-style-type: none"> - Contact authorized after-sales service outlet - Press the switch and reduce the consumers - Contact authorized after-sales service outlet

DK/N

Indholdsfortegnelse

1. Sikkerhedsanvisninger
2. Oversigt over generatoren
3. Pakkens indhold
4. Formålsbestemt anvendelse
5. Tekniske data
6. Før ibrugtagning
7. Betjening
8. Vedligeholdelse
9. Vinterdrift
10. Reservedelsbestilling
11. Bortskaffelse og genbrug
12. Fejlsøgningsskema

⚠ Vigtigt!

Ved brug af el-værktøj er der visse sikkerhedsforanstaltninger, der skal respekteres for at undgå skader på personer og materiel. Læs derfor betjeningsvejledningen / sikkerhedsanvisningerne grundigt igennem. Opbevar betjeningsvejledningen et praktisk sted, så du altid kan tage den frem efter behov. Husk at lade betjeningsvejledningen / sikkerhedsanvisningerne følge med værktøjet, hvis du overdrager det til andre. Vi fraskriver os ethvert ansvar for skader på personer eller materiel, som måtte opstå som følge af, at anvisningerne i denne betjeningsvejledning, navnlig vedrørende sikkerhed, tilsidesættes.

1. Sikkerhedshenvisninger

Sikkerhedsanvisninger findes i vedlagte hæfte

⚠ ADVARSEL!**Læs alle sikkerhedsanvisninger og øvrige anvisninger.**

Følges anvisningerne, navnlig sikkerhedsanvisningerne, ikke nøje som beskrevet, kan elektrisk stød, brand og/eller svære kvæstelser være følgen.

Alle sikkerhedsanvisninger og øvrige anvisninger skal gemmes.**2. Oversigt over generatoren (fig. 1/2)**

1. Tankindikator
2. Tankdæksel
3. Førehåndtag
4. Luftfilterdæksel
5. Servicedæksel
6. Styrehjul
7. Trækkabel til dekompression
8. Advarselslampe for olietryk
9. Voltmeter
10. Sikkerhedsudløser 400V 3~
11. Omskifter 230V~/400V 3~
12. Sikkerhedsudløser 230V~
13. 1x 12V d.c. sikkerhedsudløser
14. Jordtilslutning
15. 1x 12V d.c. tilslutning
16. 2x 230V stikdåse
17. 1x 400V 3~ stikdåse
18. Tændingslås

3. Pakkens indhold (fig. 1-3)

- Generator
- 12V adapterkabel (fig.3/pos.19)
- Sæt til batterifastgøring (fig.3/pos.20)
- Stjernenøgle (fig.3/pos.21)

4. Korrekt anvendelse

Generatoren er konstrueret til anvendelse i forbindelse med drift med 230V/ 400V-vekselspænding eller 12V-jævnspænding. Det er vigtigt, at du følger begrænsningsdataene ifølge supplerende sikkerhedsanvisninger. Generatorens formål er at levere energi til drift af el-værktøj og strøm til belysningskilder. Til brug i forbindelse med husholdningsapparater skal du kontrollere egnetheden i henhold til producentens oplysninger. Er du i tvivl, så spørg en autoriseret fagmand.

Saven må kun anvendes i overensstemmelse med dens tiltænkte formål. Enhver anden form for anvendelse er ikke tilladt. Vi fraskriver os ethvert ansvar for skader, det være sig på personer eller materiel, som måtte opstå som følge af, at maskinen ikke er blevet anvendt korrekt. Ansvaret bæres alene af brugeren/ejeren.

Bemærk, at vore produkter ikke er konstrueret til erhvervsmæssig, håndværksmæssig eller industriel brug. Vi fraskriver os ethvert ansvar, såfremt produktet anvendes i erhvervsmæssigt, håndværksmæssigt, industrielt eller lignende øjemed.

DK/N

5. Tekniske data

Generator:	Synkron
Kapslingsklasse:	IP 23
Kontinuerlig drift S1:	4400 W/400 V; 3000 W/230 V
Maksimal effekt S2 (maks. 5min):	5000 W/400 V; 3300 W/230 V
Kontinuerlig drift (12 V d.c.):	100 W
Mærkespænding:	2x 230V~/1x 400V~/1x 12V d.c.
Mærkestrøm:	13 A (230V~/) / 6,3 A (400V 3~/)
Frekvens:	50Hz
Kubikindhold:	418 ccm
Motorydelse:	7,36 kW / 10 PS
Brændstof:	Diesel
Tankvolumen:	16 liter
Motorolie:	1,65 l (15W40)
Vægt:	182 kg
Lydtryksniveau L_{pA} :	74,27 dB(A)
Lydtryksniveau L_{WA} /usikkerhed K	94,27 dB (A)/1,73 dB(A)
Effektfaktor $\cos \varphi$:	0,8
Effektklasse:	G1
Maks. installationshøjde (üNN):	1000 m

Driftsmodus S1 (vedvarende drift)

Maskinen kan køre konstant med den angivne effekt.

Driftsmodus S2 (kortvarig drift)

Maskinen kan køre kortvarigt med den angivne effekt. Herefter skal maskinen stå stille et stykke tid, så den ikke bliver for varm.

6. Før ibrugtagning

Vigtigt! Ved ibrugtagning første gang skal der fyldes motor- og dieselolie på.

- Gør batteriet klart, og kobl det på (**vigtigt!** Batteri følger ikke med). Sæt batteriet (fig.4/ pos. A) fast i generatoren (fig. 4) med sæt til batterifastgøring (fig.3/ pos.20). Kobl først det røde kabel (+) og dernæst det sorte kabel (-) på batteriet.
- Kontroller diesellojestanden, fyld mere på om nødvendigt
- Sørg for tilstrækkelig ventilering af generatoren.
- Tjek omgivelserne omkring generatoren.
- Et evt. tilsluttet el-apparat skal kobles fra generatoren.

6.1 Elektrisk sikkerhed:

- Elektriske fødeledninger og tilsluttede apparater skal være fuldstændig intakte.
- Apparater må kun tilsluttes, hvis spændingsangivelsen stemmer overens med generatorens udgangsspænding.
- Slut aldrig generatoren til strømforsyningsnettet (stikdåse).
- Længde på ledning til forbrugeren skal være så kort som mulig.

6.2 Miljøbeskyttelse

- Snavset materiale, som stammer fra vedligeholdelsesarbejde, og driftsstoffer skal indleveres på relevant miljødepot.
- Emballage, metal og kunststoffer skal bortskaffes som genanvendeligt affald.

6.3 Jording

Til afledning af statisk opladning kan huset jordes. Det gøres ved at forbinde et kabel på den ene side til generatorens jordtilslutning (fig. 2/pos. 14) og på den anden side til en ekstern stelforbindelse (f.eks. jordspyd).

7. Betjening

7.1 Start af motor

- Kontroller, om den mekaniske kontakt (fig.5/pos.A) står på „RUN“.
- Åbn for benzinhanen (fig. 6/pos. E).
- Sæt tænd/sluk-knappen (fig.2 / pos.18) i position „ON“ med nøgle.
- Træk i trækkablet til dekompression (fig.2/pos.7), og drej tænd/sluk-knappen hen på „Start“ med nøglen. Slip dekompressionskontakten efter ca. 5 sek., hvorefter motoren går i gang.
- Når motoren er gået i gang, drejes tænd/sluk-knappen tilbage i position „ON“.
- Hvis motoren ikke starter med det samme (særligt hvis tanken har været tom eller efter skift af dieselfilter), skal startproceduren gentages, idet trækkablet til dekompression trækkes ud igen.

7.2 Belastning af generatoren

- Hvis du flytter omskifteren (fig.2/pos.11) til venstre, kan du benytte 230V~ stikkontakterne.
Vigtigt: Selv om den kontinuerlige drift (S1) på 3000 W i denne stilling fordeles på de 2 stikkontakter, er det også muligt at belaste hver enkelt stikkontakt med 3000 W. Den samlede belastning af de to stikkontakter må kortvarigt (S2) maksimalt udgøre 3300 W i 5 min.
- Hvis du flytter omskifteren (fig.2/pos.11) til højre, er 400V 3~ stikkontakten aktiv.
Vigtigt: Denne stikkontakt må belastes vedvarende (S1) med 4400W og kortvarigt (S2) med 5000W i maks. 5 min.
- Generatoren er bygget til apparater med en vekselspænding på 230 V~ og 400 V 3~.
- Generatoren kan derudover belastes vedvarende med 12V d.c., 100W (fig.2/pos.15).
- Slut ikke generatoren til et husstrømnet, da det kan ødelægge generatoren eller andre elektriske apparater.

Bemærk: En del el-drevne maskiner (motordrevne stiksav, boremaskiner osv.) kan have et højere strømforbrug, hvis de anvendes under svære betingelser.

En del el-apparater (f.eks. fjernsyn, computere, ...) bør ikke drives af en generator. Er du i tvivl, så spørg producenten af apparatet.

7.3 Overbelastningssikring

Generatoren er udstyret med en overbelastningssikring. Denne kobler stikdåserne fra i tilfælde af overbelastning.

Vigtigt! Hvis overbelastningssikringen kobler fra, skal du nedsætte den elektriske effekt, som fremgår af generatoren, eller fjerne defekte apparater.

Vigtigt! Defekte overbelastningsafbrydere skal erstattes af overbelastningsafbrydere af samme konstruktion og med samme elektriske specifikationer. Kontakt kundeservice.

12V d.c. tilslutning:

Ved overbelastning kobles 12V d.c. tilslutningen (fig.2/pos.15) fra. 12V d.c. tilslutningen kan tages i brug igen, efter at du har trykket på overbelastningsafbryderen (fig.2/ pos.13)

230V~ stikdåser:

Ved overbelastning kobles 230V~ stikdåserne (fig.2/pos.16) fra. 230V~stikdåserne kan tages i brug igen, efter at du har aktiveret overbelastningsafbryderen (fig.2/ pos.12).

400V 3~ stikdåse:

I tilfælde af overbelastning kobles 400V 3~ stikdåsen (fig.2/pos.17) fra. 400V 3~ stikdåsen kan tages i brug igen, efter at du har aktiveret overbelastningsafbryderen (fig.2/ pos.10).

7.4 Slukning af motor

- Lad generatoren køre et kort stykke tid uden belastning, inden du slukker den, så aggregatet kan "køle af".
- Sæt tænd/sluk-knappen (fig.2/pos.18) på position "OFF" med nøglen
- Luk for brændstoffhanen.

Bemærk: Motoren kan også standses ved at trykke på den mekaniske kontakt (fig.5/pos. B). I så fald skal armen (fig.5/pos.A) skubbes til højre igen, så den går i indgreb, før generatoren kan startes påny.

DKN

8. Vedligeholdelse

Sluk motoren, inden rengørings- og vedligeholdelsesarbejde påbegyndes. Støv og snavs skal fjernes fra generatoren med jævne mellemrum. Generatoren rengøres bedst med en fin børste eller en klud.

- Undgå brug af ætsende midler, når du rengør kunststofdelene.
- Diesel skal fjernes fra generatoren ved længerevarende driftspauser.

Vigtigt: Sluk omgående generatoren, og kontakt din forhandler:

- I tilfælde af usædvanlig vibration eller støj.
- Hvis motoren virker overbelastet eller kører uregelmæssigt.

8.1 Olieskift, oliestandskontrol (hver gang før brug)

Skift af motorolie første gang skal foretages med driftsvarm motor efter ca. 20 driftstimer. Herefter skal motorolien skiftes i intervaller à 150 timer med driftsvarm motor.

- Brug kun motorolie (15W40)
- Stil generatoraggregatet på et egnet, plant underlag.
- Åbn oliepåfyldningsskruen (fig.5/pos.C)
- Åbn olieaftapningsskruen (fig.5/pos.D), og lad den varme motorolie løbe ud i en opsamlingsbeholder via udløbskanalen.
- Når den brugte olie er løbet ud, lukkes olieaftapningsskruen, og udløbskanalen rengøres med en klud.
- Fyld motorolie på op til oliepindens øverste mærke.

Vigtigt: Oliepinden til kontrol af oliestanden må ikke skrues i, men skal blot stikkes ned til kanten af gevindet.

- Den brugte olie skal bortskaffes ifølge miljøforskrifterne.

8.2 Rensning af luftfilter (se fig. 8-13)

- Kontroller, og rens evt. luftfiltret hver gang før brug; skift det ud om nødvendigt.
- Undgå brug af skrappe rengøringsmidler eller benzin til rengøring af elementerne.
- Rengør elementerne ved at banke dem ud på en jævn overflade.

8.3 Rensning af dieselfilter (fig.6)

Dieselfiltret (fig. 6/pos. G) skal renses, når urenheder bliver synlige i skueglasset (fig. 6/pos. H). Til rensning af dieselfiltret skal du bruge en tragt forbundet med en benzin/diesel-resistent brændstofslange, benzin/diesel-resistente handsker samt en tom dieselloledunk (**VIGTIGT:** Bland aldrig benzin og diesellole ukontrolleret!).

- Luk for brændstofhanen (fig. 6/pos. E).
- Løsn fingermøtrikken (fig. 6/pos. F).
- Før brændstofslangen fra tragten ned i dieseldunken, og hold tragten under skueglasset (fig. 6/pos. H).
- Skru fingermøtrikken helt løs (fig. 6/pos. F), og tøm den rene dieselrestmængde i skueglasset ud i tragten.
- Den snavsede dieselrestmængde suges op med en renseserviet. Rens skueglasset.
- Træk dieselfiltret af dieselfilterholderen i retning nedad, fjern smudsrester på dieselfiltret med renseservietten, rens evt. med lidt diesellole, eller skift dieselfiltret ud, hvis det er beskadiget. Smid renseservietten ud.
- Samling sker i modsat rækkefølge.

8.4 Tømning af tank

- Inden du tømmer tanken, skal du gennemgå proceduren til rensning af dieselfilter.
- Når du har taget dieselfiltret af, sætter du tragten under dieselfilterholderen (fig. 6/pos. I) og åbner brændstofhanen (fig. 6/pos. E).
- Led dieselbrændstoffet ud af tanken og ned i dieseldunken via tragten. (**VIGTIGT:** Sørg for, at dieseldunken er stor nok til at rumme restmængden i tanken!).
- Om nødvendigt kan tømningen af tanken afbrydes ved at lukke for brændstofhanen.
- Efter udtømningen foretages samling som beskrevet under punkt 8.3.

9. Vinterdrift

Da generatoren drives af en dieselmotor, skal der træffes særlige forholdsregler ved drift om vinteren. Hvis dieselgeneratoren skal køre under udetemperaturer på -3° til -10° C, er brug af "vinterdiesel" påkrævet. Omstillingen fra dieselolie til „vinterdiesel“ varierer fra land til land; det er oftest i slutningen af oktober. Tidspunktet for omstilling til "vinterdiesel" kan du få oplyst på din tankstation.

- Hvis du bruger dieselgeneratoren regelmæssigt, behøver du ikke at træffe særlige forholdsregler, da omstillingen til "vinterdiesel" sker automatisk.
- Hvis du ikke bruger generatoren over en længere periode om efteråret, men vil bruge den igen om vinteren, anbefales det at lade tanken stå næsten tom eller, som beskrevet under punkt 8.4, at tømme den.
- Spørg om tidspunktet for omstilling til „vinterdiesel“ på din tankstation, og fyld tanken op med "vinterdiesel", inden udetemperaturen når ned på -3° til -10° C.
- Hvis det alligevel skulle ske, at dieselolien "grøder til", skal du stille dieselgeneratoren i et rum med en temperatur på ca. $+10^{\circ}$ C i 12 timer.
- Er tanken mellem halv og hel fyldt med almindelig dieselolie skal den tømmes, som beskrevet under punkt 8.4.
- Herefter skal tanken så fyldes op med "vinterdiesel".
- Er tanken næsten tom eller højst halv fuld kan du blot fylde op med "vinterdiesel".

10. Reservedelsbestilling

Ved bestilling af reservedele skal følgende oplyses:

- Savens type.
- Savens artikelnummer.
- Savens identifikationsnummer.
- Nummeret på den nødvendige reservedel.

Aktuelle priser og øvrige oplysninger finder du på internetadressen www.isc-gmbh.info

11. Bortskaffelse og genanvendelse

Maskinen er pakket ind for at undgå transportskader. Emballagen består af råmaterialer og kan således genanvendes eller indleveres på genbrugsstation. Maskinen og dens tilbehør består af forskellige materialer, f.eks. metal og plast. Defekte komponenter skal kasseres ifølge miljøforskrifterne og må ikke smides ud som almindeligt husholdningsaffald. Hvis du er i tvivl: Spørg din forhandler, eller forhør dig hos din kommune!

DK/N**12. Afhjælpning af driftsforstyrrelser**

Fejl	Årsag	Handlingsprocedure
Motor kan ikke startes	<ul style="list-style-type: none"> - Olietrykkontakt triggles (rød LED (fig.2/pos. 8)) - Ingen dieselolie - Mekanisk afbryder (fig.5/pos.A) står på „STOP“ - Dieselfilter stoppet til - Luffilter snavset - Dieselolie "grødet" pga. lav udetemperatur 	<ul style="list-style-type: none"> - Kontroller oliestanden, fyld motorolie på - Fyld mere dieselolie på - Sæt mekanisk afbryder på „RUN“ - Rens eller skift dieselfilter - Rens eller skift luffilter - Fremgangsmåde som beskrevet under punktet "vinterdrift"
Generator har for lidt eller ingen spænding	<ul style="list-style-type: none"> - Regulator eller kondensator defekt - Kontakt for overstrømsbeskyttelse triggles - Generatorens kontaktkul er slidt ned 	<ul style="list-style-type: none"> - Kontakt autoriseret kundeservice - Aktiver kontakten, og reducer for brugerne - Kontakt autoriseret kundeservice

Innehållsförteckning

1. Säkerhetsanvisningar
2. Beskrivning av generatorm
3. Leveransomfattning
4. Ändamålsenlig användning
5. Tekniska data
6. Innan du använder generatorm
7. Använda generatorm
8. Underhåll
9. Vinterdrift
10. Reservdelsbeställning
11. Skrotning och återvinning
12. Felsökning

S**⚠ Obs!**

Innan maskinen kan användas måste särskilda säkerhetsanvisningar beaktas för att förhindra olyckor och skador. Läs därför noggrant igenom denna bruksanvisning och dessa säkerhetsanvisningar. Förvara dem på ett säkert ställe så att du alltid kan hitta önskad information. Om maskinen ska överlätas till andra personer måste även denna bruksanvisning och dessa säkerhetsanvisningar medfölja. Vi övertar inget ansvar för olyckor eller skador som har uppstått om denna bruksanvisning eller säkerhetsanvisningarna åsidosätts.

1. Säkerhetsanvisningar

Gällande säkerhetsanvisningar finns i det bifogade häftet.

⚠ WARNING!**Läs alla säkerhetsanvisningar och instruktioner.**

Försummelse vid iakttagandet av säkerhetsanvisningarna och instruktionerna kan försaka elstöt, brand och/eller svåra skador.

Förvara alla säkerhetsanvisningar och instruktioner för framtiden.**2. Beskrivning av generatoren (bild 1/2)**

1. Bränslemätare
2. Tanklock
3. Skjutbygel
4. Luftfilterlock
5. Underhållslucka
6. Hjul
7. Snörstart för dekompression
8. Varningslampa för oljetryck
9. Voltmeter
10. Säkerhetsutlösare 400 V 3~
11. Omkopplare 230 V~ / 400 V 3~
12. Säkerhetsutlösare 230 V~
13. 1 st 12 V DC säkerhetsutlösare
14. Jordanslutning
15. 1 st 12 V DC anslutning
16. 2 st 230 V stickuttag
17. 1 st 400 V 3~ stickuttag
18. Tändningslås

3. Leveransomfattning (bild 1-3)

- Strömgenerator
- 12 V adapterkabel (bild 3/pos. 19)
- Batterimonteringsset (bild 3/pos. 20)
- Ringnyckel (bild 3/pos. 21)

4. Ändamålsenlig användning

Utrustningen är lämplig för alla användningar som kräver drift med 230 V / 400 V växelspanning eller 12 V likspänning. Beakta tvunget begränsningarna som anges i de extra säkerhetsanvisningarna. Generatoren används till att driva elverktyg och säkerställa strömförsörjningen till belysningsutrustning. Om hushållsapparater ska anslutas måste du först se efter i tillverkarens uppgifter om detta är lämpligt. Fråga en behörig återförsäljare om du är osäker.

Maskinen får endast användas till sitt avsedda ändamål. Användningar som sträcker sig utöver detta användningsområde är ej ändamålsenliga. För materialskador eller personskador som resulterar av sådan användning ansvarar användaren/operatören själv. Tillverkaren påtar sig inget ansvar.

Tänk på att våra produkter endast får användas till ändamålsenligt syfte och inte har konstruerats för yrkesmässig, hantverksmässig eller industriell användning. Vi ger därför ingen garanti om produkten ska användas inom yrkesmässiga, hantverksmässiga eller industriella verksamheter eller vid liknande aktiviteter.

5. Tekniska data

Generator:	Synkron
Kapslingsklass:	IP 23
Kontinuerlig effekt S1: 4400 W/400 V; 3000 W/230 V	
Maximal effekt S2 (max. 5 min):	5000 W/400 V; 3300 W/230 V
Kontinuerlig effekt (12 V d.c.):	100 W
Nominell spänning:	2 st 230 V~/1 st 400 V~/1 st 12 V DC
Nominell ström:	13 A (230V~/) / 6,3 A (400V 3~/)
Frekvens:	50 Hz
Cylindervolym:	418 ccm
Motoreffekt:	7,36 kW / 10 hk
Bränsle:	Diesel
Tankvolym:	16 liter
Motorolja	1,65 l (15W40)
Vikt:	182 kg
Ljudtrycksnivå L_{pA} :	74,27 dB(A)
Ljudeffektnivå L_{WA} / Osäkerhet K	94,27 dB(A) / 1,73 dB(A)
Effektfaktor $\cos \varphi$	0,8
Effektclass	G1
Max. uppställningshöjd (m.ö.h.)	1 000 m

Driftslag S1 (kontinuerlig drift)

Maskinen kan köras kontinuerligt med angiven effekt.

Driftslag S2 (korttidsdrift)

Maskinen får köras under kort tid med angiven effekt (5 min). Därefter måste maskinen stå still under en viss tid (5 min) för att den inte ska värmas upp till en otillåten temperatur.

6. Innan du använder generatoren

Obs! Fyll på motorolja och dieselbränsle inför första driftstart.

- Förbered batteriet och anslut det därefter (**Obs!** Batteriet medföljer ej). Fäst batteriet (bild 4/pos. A) i generatoren (bild 4) med batterimonteringssetet (bild 3/pos. 20). Anslut först den röda kabeln (+) och därefter den svarta kabeln (-) till batteriet.
- Kontrollera dieselbränslets nivå i tanken. Fyll på vid behov.
- Se till att ventilationen runt om generatoren är tillräcklig.

- Kontrollera omgivningen runt om strömgeneratoren.
- Åtskilj all elektrisk utrustning som ev. har anslutits till strömgeneratoren.

6.1 Elektrisk säkerhet

- Elektriska tilliedningar och ansluten utrustning måste vara i fullgott skick.
- Anslut endast sådan utrustning vars spänningsvärde överensstämmer med strömgenerators utgångsspänning.
- Anslut aldrig strömgeneratoren till elnätet (stickuttag).
- Se till att kabellängden till den förbrukande enheten är så kort som möjligt.

6.2 Miljöskydd

- Lämna in nedsmutsat underhållsmaterial och driftvätskor till ett godkänt insamlingsställe.
- Lämna in förpackningsmaterial, metaller och plaster för återvinning.

6.3 Jordning

För att förhindra elektriska stötar från elektrisk utrustning måste generatoren vara jordad. Anslut en kabel mellan jordanslutningen på generatoren (bild 2/ pos. 14) och en extern jordpunkt (t ex en jordstav).

7. Använda generatoren

7.1 Starta motorn

- Kontrollera att den mekaniska brytaren (bild 5/ pos. A) står på "RUN".
- Öppna bränslekranen (bild 6/pos. E).
- Ställ strömbrytaren (bild 2/pos. 18) i läge "ON" med hjälp av nyckeln.
- Dra ut snörstarten för dekompression (bild 2/pos. 7) och vrid strömbrytaren till "Start" med hjälp av nyckeln. Släpp dekompressionsbrytaren efter ca 5 sekunder. Motorn startar därefter.
- När motorn kör kan strömbrytaren vridas tillbaka till läget "ON".
- Om motorn inte startar genast (kan inträffa om tanken hade tömts helt innan den fylldes på igen, eller om dieselfiltret har bytts ut) måste du försöka starta igen genom att dra ut snörstarten för dekompression.

S**7.2 Belasta strömgeneratoren**

- Om du ställer omkopplaren (bild 2/pos. 11) åt vänster, kan du använda stickkuttagen som avger 230 V ~.

Varning! Fastän detta omkopplarläge innebär att den kontinuerliga effekten (S1) 3 000 W delas upp på två stickkuttag, kan även varje enstaka stickkuttag belastas med 3 000 W. Den totala belastningen för båda stickkuttag får under kort tid (S2), dvs. 5 minuter, maximalt uppgå till 3 300 W.

- Om du ställer omkopplaren (bild 2/pos. 11) åt höger, är stickkuttaget med 400 V trefas ~ aktivt.
Varning! Detta stickkuttag får endast belastas kontinuerligt (S1) med 4400 W och under kort tid (S2) med max. 5000 W under max. 5 minuter.
- Strömgeneratoren är avsedd för utrustningar som kräver 230 V~ och 400 V trefas ~.
- Strömgeneratoren kan dessutom belastas kontinuerligt med 12 V DC, 100 W (bild 2/pos. 15).
- Anslut inte generatoren till husets elnät. Det finns risk för att generatoren eller annan elektrisk utrustning som finns i huset skadas.

Obs! Vissa elutrustningar (motorsticksågar, bormaskiner osv) uppvisar en högre strömförbrukning om de måste användas under krävande villkor.

Viss elektrisk utrustning (t ex tv-apparater, datorer) bör inte drivas av en generator. Hör efter med tillverkaren av utrustningen om du är osäker.

7.3 Överbelastningsskydd

Strömgeneratoren är utrustad med ett överbelastningsskydd. Detta skydd kopplar ifrån resp. stickkuttag vid en överbelastning.

Obs! Om detta inträffar ofta måste du reducera den elektriska effekten som tas från strömgeneratoren eller koppla ifrån defekta apparater.

Obs! Defekta överlastbrytare får endast bytas ut mot nya överlastbrytare med samma effektdata. Kontakta vår kundtjänst.

12 V DC anslutning

12 V DC anslutningen (bild 2/pos. 15) har kopplats ifrån vid en överbelastning. Tryck in överlastbrytaren (bild 2/pos. 13) för att 12 V DC anslutningen ska avge ström på nytt.

230 V~ stickkuttag

230 V~ stickkuttagen (bild 2/pos. 16) har kopplats ifrån vid en överbelastning. Tryck in överlastbrytaren (bild 2/pos. 12) för att 230 V stickkuttagen ska avge ström på nytt.

400 V 3~ stickkuttag

400 V 3~ stickkuttaget (bild 2/pos. 17) har kopplats ifrån vid en överbelastning. Tryck in överlastbrytaren (bild 2/pos. 10) för att 400V 3~ stickkuttaget ska avge ström på nytt.

7.4 Stänga av motorn

- Låt strömgeneratoren köra en kort stund utan belastning innan du stänger av den. Detta är nödvändigt för att aggregatet ska "efterkylas".
- Ställ strömbrytaren (bild 2/pos. 18) i läge "OFF" med nyckel.
- Stäng bränslekranen.

Obs! Motorn kan även stängas av genom att den mekaniska brytaren (bild 5/pos. B) trycks in. Innan motorn startas igen måste då spaken (bild 5/pos. A) skjutas åt höger tills den hakar fast.

8. Underhåll

Slå alltid ifrån motorn före alla rengörings- och underhållsarbeten.

Ta bort damm och smuts från maskinen i regelbundna intervaller. Rengör helst med en fin borste eller med en tygduk.

- Använd inga frätande medel när du rengör plastdelarna.
- Tappa av dieselbränslet om du inte ska använda strömgeneratoren under längre tid.

Varning! Slå genast ifrån generatoren och kontakta din service-station:

- Vid ovanliga vibrationer eller ljud.
- Om motorn verkar vara överbelastad eller kör ojämnt.

8.1 Byta olja, kontrollera oljenivån (före varje användning)

Motoroljan ska bytas ut för första gången efter ca 20 drifttimmar. Tänk på att motorn måste vara driftvarm. Därefter ska motoroljan bytas ut var 150:e drifttimme medan motorn är driftvarm.

- Använd endast motorolja (15W40).
- Ställ strömgeneratoren på ett lämpligt underlag.
- Öppna oljepåfyllningspluggen (bild 5/pos. C).
- Öppna oljeavtappningspluggen (bild 5/pos. D) och tappa av den varma motoroljan via utloppskanalen i en uppsamlingsbehållare.
- Efter att den förbrukade oljan har tappats av, stäng till oljeavtappningspluggen och rengör utloppskanalen med en trasa.

- Fyll på motorolja upp till den översta markeringen på oljestickan.

Obs! Skruva inte in oljestickan för att mäta oljenivån, utan skjut endast in den till gängorna.

- Avfallshantera den förbrukade oljan enligt gällande föreskrifter.

8.2 Rengöra luftfiltret (se bild 8-13)

- Rengör luftfiltret före varje användning, rengör eventuellt, byt ut vid behov.
- Använd inte bensin eller aggressiva rengöringsmedel för att rengöra elementen.
- Rengör elementen genom att slå dem mot en plan yta.

8.3 Rengöra dieselfiltret (bild 6)

Dieselfiltret (bild 6/pos. G) måste rengöras om föroreningar syns i synglaset (bild 6/pos. H). För att rengöra dieselfiltret behövs en tratt som har anslutits till en bensin-/dieselbeständig bränsleslang, bensin-/dieselbeständiga handskar samt en tom dieseldunk (**Obs!** Blanda aldrig bensin och diesel under okontrollerade former!)

- Stäng bränslekranen (bild 6/pos. E).
- Lossa på räffelmuttern (bild 6/pos. F).
- För in trattens bränsleslang i dieseldunken och håll tratten under synglaset (bild 6/pos. H).
- Lossa helt på räffelmuttern (bild 6/pos. F) och töm synglasets rena dieselrestmängd i tratten.
- Använd rengöringspapper för att suga upp den smutsiga dieselrestmängden. Rengör synglaset.
- Dra av dieselfiltret nedåt från dieselfilterhållaren, ta bort smutsrester på dieselfiltret med rengöringspapper, rengör ev. med en aning dieselbränsle eller byt ut dieselfiltret om det har skadats. Avfallshantera rengöringspappret.
- Montera samman i omvänd ordningsföljd.

8.4 Tömma tanken

- För att tömma tanken krävs samma arbetssteg som för rengöring av dieselfiltret..
- Efter att dieselfiltret har tagits av, positionera tratten under dieselfilterhållaren (bild 6/pos. I) och öppna sedan bränslekranen (bild 6/pos. E).
- Led dieselbränsle ur tanken, via tratten och vidare till dieseldunken. (**OBS!** Se till att dieseldunken är tillräckligt stor för att rymma restmängden som fortfarande finns i tanken!)
- Om nödvändigt kan tömningen av tanken avbrytas genom att bränslekranen stängs.
- Efter att tömningen har avslutats kan utrustningen monteras samman enligt beskrivningen under punkt 8.3.

9. Vinterdrift

Eftersom generatoren drivs av en dieselmotor krävs särskilda åtgärder inför drift under vintertid.

Om dieselgeneratoren tas i drift vid utomhustemperaturer mellan -3°C och -10°C krävs "vinterdiesel". Omställningen av dieselbränslet till "vinterdiesel" sker vid olika datum i olika länder, dock oftast i slutet av oktober. Fråga personalen på din bensinstation för att ta reda på lämpligt datum för omställningen till "vinterdiesel".

- Om dieselgeneratoren används regelbundet behöver du inte tilltaga några åtgärder eftersom omställningen till "vinterdiesel" då sker automatiskt.
- Om du inte använder generatoren under längre tid under hösten, men vill använda generatoren på nytt under vintern, rekommenderar vi att du håller tanken nästintill tom eller, se beskrivningen under punkt 15, tömmer tanken helt.
- Fråga personalen på din bensinstation för att ta reda på lämpligt datum för omställning till "vinterdiesel" och fyll på tanken med "vinterdiesel" innan utomhustemperaturen sjunker till intervallet -3°C till -10°C.
- Om dieselbränslet ändå skulle "paraffinera" måste dieselgeneratoren förvaras under ca 12 timmar i ett utrymme med en temperatur på ca +10°C.
- Om tanken är halvfyllt till helt fylld med normalt dieselbränsle måste den tömmas enligt beskrivningen under punkt 8.4.
- Fyll sedan tanken med "vinterdiesel".
- Om tanken är nästintill tom eller maximalt halvfylld är det tillräckligt att fylla på "vinterdiesel".

10. Reservdelsbeställning

Lämna följande uppgifter vid beställning av reservdelar:

- Maskintyp
 - Maskinens artikel-nr.
 - Maskinens ident-nr.
 - Reservdelsnummer för erforderlig reservdel
- Aktuella priser och ytterligare information finns på www.isc-gmbh.info

S

11. Skrotning och återvinning

Produkten ligger i en förpackning som fungerar som skydd mot transportskador. Denna förpackning består av olika material som kan återvinnas. Lämna in förpackningen till ett samlingsställe för återvinning.

Produkten och tillbehören består av olika material som t ex metaller och plaster. Lämna in defekta komponenter till ett godkänt samlingsställe i din kommun. Hör efter med din kommun eller med försäljaren i din specialbutik.

12. Felsökning

Störning	Orsak	Åtgärder
Motorn kan inte startas	<ul style="list-style-type: none"> – Oljetryckställaren löser ut (röd lysdiod (bild 2/pos. 8)) – Inget dieselbränsle. – Mekanisk brytare (bild 5/pos. A) står på "STOP" – Dieselfiltret tilltäppt – Luftfiltret nedsmutsat – Dieselbränslet har paraffinerat pga. alltför låg utomhustemperatur 	<ul style="list-style-type: none"> – Kontrollera oljenivån, fyll på motorolja – Fyll på dieselbränsle – Ställ den mekaniska brytaren på "RUN" – Rengör eller byt ut dieselfiltret – Rengör eller byt ut luftfiltret – Gå tillväga enligt beskrivningen under punkten "Vinterdrift"
Generatorn avger för låg eller ingen spänning alls	<ul style="list-style-type: none"> – Regleringen eller kondensatorn är defekt – Överströmsutlösaren har löst ut – Generatorns kolborstar är slitna 	<ul style="list-style-type: none"> – Kontakta behörig kundtjänst – Tryck på knappen och anslut färre antal förbrukande enheter – Kontakta behörig kundtjänst

FIN

Sisällysluettelo

1. Turvallisuusmääräykset
2. Laitteen kuvaus
3. Toimituksen laajuus
4. Määräysten mukainen käyttö
5. Tekniset tiedot
6. Ennen käyttöönottoa
7. Käyttö
8. Huolto
9. Talvikäyttö
10. Varaosatilaukset
11. Käytöstäpoisto ja uusiokäyttö
12. Vianhakukaavio

△ Huomio!

Laitteita käytettäessä tulee noudattaa tiettyjä turvallisuusvaroitointia tapaturmien ja vaurioiden välttämiseksi. Lue sen vuoksi tämä käyttöohje / nämä turvallisuusmääräykset huolellisesti läpi. Säilytä käyttöohje hyvin, jotta siinä olevat tiedot ovat myöhemminkin milloin vain käytettävissäsi. Jos luovutat laitteen muille henkilöille, ole hyvä ja anna heille myös tämä käyttöohje / nämä turvallisuusmääräykset laitteen mukana. Emme ota mitään vastuuta tapaturmista tai vaurioista, jotka ovat aiheutuneet tämän käyttöohjeen tai turvallisuusohjeiden noudattamisen laiminlyönnistä.

1. Turvallisuusmääräykset

Laitetta koskevat turvallisuusmääräykset löydät oheistetusta vihkosesta.

△ VAROITUS!**Lue kaikki turvallisuusmääräykset ja ohjeet.**

Jos turvallisuusmääräyksiä tai muita ohjeita ei noudateta, saattaa tästä aiheutua sähköiskuja, tulipaloja ja/tai vaikeita vammoja.

Säilytä kaikki turvallisuusmääräykset ja ohjeet myöhempiä tarvetta varten.**2. Laitteen kuvaus (kuva 1/2)**

1. Polttoainemittari
2. Polttoainesäiliön kansi
3. Työntösanka
4. Ilmansuodattimen kansi
5. Huoltoluukku
6. Juoksupyörät
7. Dekompressiovaijeri
8. Öljynpaineen varoitusvalo
9. Volttimittari
10. Suojakatkaisin 400V 3~
11. Vaihtokytkin 230V~/400V 3~
12. Suojakatkaisin 230V~
13. 1 x 12 V tasavirta-suojakatkaisin
14. Maadoitusliitäntä
15. 1 x 12 V tasavirtaliitäntä
16. 2 x 230V pistorasiaa
17. 1 x 400V 3~ pistorasia
18. Virtalukko

3. Toimituksen laajuus (kuvat 1 - 3)

- Sähkögeneraattori
- 12V sovitinjohto (kuva 3/nro 19)
- Akun kiinnityssarja (kuva 3/nro 20)
- Rengasavain (kuva 3/nro 21)

4. Määräysten mukainen käyttö

Laite on tarkoitettu käytettäväksi kaikissa sovellutuksissa, joiden käytössä tarvitaan 230V/400V vaihtovirtajännitettä tai 12V tasavirtajännitettä. Noudata ehdottomasti erityisissä turvallisuusmääräyksissä annettuja rajoituksia. Generaattorin käyttötarkoitus on sähkötyökalujen käyttö ja valonlähteiden virransyöttö. Kotitalouslaitteiden sopivuus tulee tarkastaa kunkin valmistajan antamien tietojen perusteella. Epäselvissä tapauksissa kysy neuvoa alan erikoisliikkeestä.

Konetta saa käyttää ainoastaan sille määrättyyn tarkoitukseen. Kaikkinainen tämän ylittävä käyttö ei ole määräysten mukaista. Kaikista tästä aiheutuvista vahingoista tai loukkaantumisista on vastuussa laitteen omistaja/käyttäjä eikä suinkaan sen valmistaja.

Ole hyvä ja ota huomioon, että laitteitamme ei ole suunniteltu ja valmistettu käytettäväksi pienteollisuus- tai teollisuustarkoituksiin. Emme siksi ota mitään vastuuta vaurioista, jos laitetta käytetään pienteollisuus-, käsityöläis- tai teollisuustyöpaikoilla tai näihin verrattavissa olevissa toimissa.

FIN

5. Tekniset tiedot

Generaattori:	synkronoitu
Suojalaji:	IP 23
Jatkuva teho S1:	4400 W/400 V; 3000 W/230 V
Suurin teho S2 (kork. 5 min):	5000 W/400 V; 3300 W/230 V
Jatkuva teho (12 V d.c.):	100 W
Nimellisjännite:	2x 230V~/1x 400V~/1x 12V tasavirta
Nimellisvirta:	13 A (230V~/) / 6,3 A (400V 3~/)
Taajuus:	50Hz
Tilavuus:	418 ccm
Moottorin teho:	7,36 kW / 10 HV
Polttoaine:	diesel
Polttoainesäiliön tilavuus:	16 litraa
Moottoriöljy:	1,65 l (15W40)
Paino:	182 kg
Äänen painetaso L_{pA} :	74,27 dB(A)
Äänen tehotaso L_{WA} / mittausepävarmuus K	94,27 dB(A) / 1,73 dB(A)
Tehokerroin $\cos \varphi$:	0,8
Teholuokka:	G1
Suurin sijoituskorkeus (merenpinnan yläpuolella):	1.000 m

Käyttötapa S1 (jatkuva käyttö)

Konetta voidaan käyttää jatkuvasti ilmoitetulla teholla.

Käyttötapa S2 (lyhytaikainen käyttö)

Konetta saa käyttää lyhytaikaisesti ilmoitetulla teholla (5 minuutin ajan). Sen jälkeen tulee koneen seistä jonkun aikaa, jotta se ei kuumene liikaa (5 minuutin ajan).

6. Ennen käyttöönottoa

Huomio! Ensimmäisessä käyttöönotossa tulee koneeseen täyttää moottoriöljyä ja dieselpolttoainetta.

- Valmistele akku ja liitä se (**Huomio!** akku ei kuulu toimitukseen). Kiinnitä akku (kuva 4/kohta A) akun kiinnityssarjalla (kuva 3/nro 20) laitteeseen (kuva 4). Liitä ensin punainen johto (+) ja sitten musta johto (-) akkuun.
- Tarkasta dieselpolttoaineen määrä, lisää tarvittaessa.
- Huolehdi laitteen riittävästä tuuletuksesta.
- Tarkasta generaattorin välitön ympäristö.
- Irroita siihen mahdollisesti liitetty sähkölaite generaattorista.

6.1 Sähköturvallisuus

- Sähköjohtojen ja liitettyjen laitteiden tulee olla moitteettomassa kunnossa.
- Vain sellaisten laitteiden liittäminen on sallittu, joiden jännitetiedot vastaavat generaattorin antojännitettä.
- Älä koskaan liitä generaattoria virtaverkkoon (pistorasiaan).
- Kuluttajaan vievät johdot tulee pitää mahdollisimman lyhyinä.

6.2 Ympäristönsuojelu

- Toimita likaantuneet huolto- ja käyttömateriaalit niille tarkoitettuun keräyspisteeseen
- Toimita pakkausmateriaalit, metalli ja muovit kierrätykseen.

6.3 Maadoitus

Jotta vältät sähkölaitteiden antamat sähköiskut, tulee generaattori maadoittaa. Tätä varten liitetään johdon (väh. 4 mm²) yksi pää generaattorin maadoitusliitäntään (kuva 2/kohta 14) ja toinen pää ulkoiseen massaan (esim. sauvamaadoitukseen).

7. Käyttö

7.1 Moottorin käynnisty

- Tarkasta, onko mekaaninen katkaisin (kuva 5/ kohta A) asennossa „RUN“.
- Avaa polttoainehana (kuva 6/kohta E).
- Aseta päälle-/pois-katkaisin (kuva 2/kohta 18) asentoon "ON".
- Vedä dekompressiovetonuurasta (kuva 2/kohta 7) ja käännä päälle-/pois-katkaisin avaimella asentoon „Start“. Päästä dekompressiokatkaisin n. 5 sekunnin kuluttua irti, ja moottori käynnistyy.
- Kun moottori käy, käännä päälle-/pois-katkaisin takaisin asentoon „ON“.
- Jos moottori ei käynnisty heti (erityisesti jos polttoainesäiliö oli tyhjä tai polttoainesuodattimen vaihdon jälkeen), toista käynnistäminen vetämällä uudelleen dekompression vetonuurasta.

7.2 Sähkögeneraattorin kuormitus

- Kun käännät vaihtokytkimen (kuva 2/kohta 11) vasemmalle, voit käyttää 230V~ pistorasioita.
Huomio: Vaikka tässä asennossa 3000 watin jatkuva teho (S1) jaetaan 2 pistorasiaan, voit kuitenkin kuormittaa jokaista pistorasiaa erikseen 3000 watilla. Molempien pistorasioiden yhteenlaskettu kuormitus saa lyhytaikaisesti (S2) ylittää 5 minuutin ajan 3300 watin enimmäistehon.
- Kun käännät vaihtokytkimen (kuva 2/kohta 11) oikealle, voit käyttää 400V 3~ pistorasiaa.
Huomio: Tätä pistorasiaa saa kuormittaa jatkuvasti (S1) 4400 watilla ja lyhytaikaisesti (S2) kork. 5 minuutin ajan 5000 watilla.
- Generaattori soveltuu käytettäväksi 230 V~ ja 400 V 3~ vaihtovirtalaitteiden kanssa.
- Generaattoria voi lisäksi kuormittaa jatkuvasti 12V tasavirralla, 100 watilla (kuva 2/kohta 15).
- Älä liitä generaattoria kotitalousverkkoon, tästä saattaa aiheutua generaattorin tai talossa olevien muiden sähkölaitteiden vahingoittuminen.

Viite: Monet sähkölaitteet (moottoripistosahat, porakoneet jne.) saattavat ottaa enemmän virtaa, kun niitä käytetään vaikeammissa olosuhteissa.

Monia sähkölaitteita (esim. televisioita, tietokoneita jne.) ei tule käyttää generaattorin avulla. Tiedustele asiaa epäselvissä tapauksissa laitteesi valmistajalta.

7.3 Ylikuormitussuoja

Generaattori on varustettu ylikuormitussuojalla. Se kytkee kulloisenkin pistorasian pois päältä ylikuormituksen sattuessa.

Huomio! Jos näin tapahtuu, vähennä generaattorista ottamaasi sähkövirtaa tai poista siihen liitetyt vialliset laitteet.

Huomio! Viallisen ylikuormitussuojakytkimen tilalle saat liittää vain ylikuormitussuojakytkimen, jonka tehotiedot ovat samat. Ota tätä varten yhteyttä tekniseen asiakaspalveluun.

12 V d.c. tasavirtaliitäntä:

Ylikuormituksen sattuessa 12V d.c. tasavirtaliitäntä (kuva 2/nro 15) kytketään pois. 12 V tasavirtaliitäntä voidaan ottaa jälleen käyttöön painamalla ylikuormituskytkintä (kuva 2/nro 13)

230V~ pistorasiat:

Ylikuormituksen sattuessa 230V~ pistorasiat (kuva 2/nro 16) kytketään pois. Painamalla ylikuormituskytkintä (kuva 2/nro 12) voit kytkeä 230V~pistorasiat jälleen päälle.

400V 3~ pistorasia:

Ylikuormituksen sattuessa 400V 3~ pistorasia (kuva 2/nro 17) kytketään pois. Painamalla ylikuormituskytkintä (kuva 2/nro 10) voit kytkeä 400V 3~pistorasian jälleen päälle.

7.4 Moottorin sammuttaminen

- Anna generaattorin käydä lyhyen aikaa kuormittamatta, ennen kuin sammutat sen, jotta laite voi "jäähdyä" hieman.
- Aseta päälle-/pois-katkaisin (kuva 2/kohta 18) avaimella asentoon "OFF".
- Sulje polttoainehana.

Viite: Moottorin voi sammuttaa myös painamalla mekaanista katkaisinta (kuva 5/kohta B). Ennen uudelleenkäynnistämistä tulee tässä tapauksessa kääntää vipu (kuva 5/kohta A) jälleen oikealle, kunnes se lukkiutuu paikalleen.

8. Huolto

Sammuta moottori ennen kaikkia puhdistus- ja huoltotoimia.

Pöly ja lika tulee poistaa koneesta säännöllisin väliajoin. Suorita puhdistus parhaiten hienolla harjalla tai rievulla.

- Älä käytä syövyttäviä aineita muoviosien puhdistukseen.
- Dieselpolttoaine tulee poistaa generaattorista, jos sitä ei käytetä pitempään aikaan.

Huomio: Sammuta laite heti ja ota yhteyttä valtuutettuun myyjään, jos:

- käytössä esiintyy epätavallista tärinää tai melua.
- moottori tuntuu olevan ylikuormitettu tai se käy epätasaisesti.

8.1 Öljyvaihto / öljymäärän tarkistus (ennen joka käyttöä)

Moottoriöljyn 1. vaihto tulee suorittaa käyttölämpöiseen moottoriin n. 20 käyttötunnin jälkeen. Sen jälkeen tulee moottoriöljyn vaihto tehdä 150 tunnin välein käyttölämpöiseen moottoriin.

- Käytä ainoastaan (15W40) moottoriöljyä
- Aseta generaattori sopivalle, tasaiselle alustalle.
- Avaa öljyntäyttöruuvi (kuva 5/kohta C)
- Avaa öljynlaskuruuvi (kuva 5/kohta D) ja laske lämmin moottoriöljy laskukanavan kautta keräysastiaan.
- Kun käytetty öljy on valunut pois, sulje öljynlaskuruuvi ja puhdista laskukanava rievulla.
- Täytä moottoriöljyä öljyn mittatikun ylemmän merkkiin asti.

Huomio: älä ruuvaa öljyn mittatikua paikalleen öljymäärän tarkistamiseksi, vaan työnnä se aukkoon kierteisiin asti.

- Käytetty öljy tulee hävittää määräysten mukaisesti.

8.2 Ilmansuodattimen puhdistus (katso kuvia 8-13)

- Tarkasta ilmansuodatin ennen joka käyttöä, puhdista, vaihda tarvittaessa uuteen.
- Patruunan puhdistamiseen ei saa käyttää vahvoja puhdistusaineita tai bensiiniä.
- Puhdista patruunat koputtelemalla niitä tasaisen pinnan päällä.

8.3 Polttoainesuodattimen puhdistus (kuva 6)

Dieselsuodatin (kuva 6/kohta G) täytyy puhdistaa, kun tarkastuslasissa (kuva 6/kohta H) näkyy epäpuhtauksia. Polttoainesuodattimen puhdistamiseen tarvitsen suppilon, jossa on bensiinin-/dieselinkestävä polttoaineletku, bensiinin-/dieselinkestävät käsineet sekä tyhjän dieselpolttoainekanisterin (**HUOMIO:** älä koskaan sekoita bensiiniä ja dieselöljyä harkitsematta!).

- Sulje polttoainehana (kuva 6/kohta E).
- Löysennä pykälämutteria (kuva 6/kohta F).
- Vie suppilon polttoaineletku dieselőljykanisteriin ja pidä suppiloa tarkastuslasin (kuva 6/kohta H) alla.
- Irroita pykälämutteri (kuva 6/kohta F) kokonaan ja laske tarkastuslasin puhdas dieselőljy suppilon.
- Ime likaantunut dieselőljyn jäännös paperipyyhkeellä pois. Puhdista tarkastuslasi.
- Vedä dieselőljynsuodatin öljynsuodattimen pidikkeestä alaspäin pois, pyyhi loppu lika suodattimesta paperipyyhkeellä pois, puhdista tarvittaessa pienellä määrällä dieselőljyä tai vaihda vahingoittunut öljysuodatin uuteen. Hävitä käytetyt paperipyyhkeet.
- Kokoaminen tehdään päinvastaisessa järjestyksessä.

8.4 Polttoainesäiliön tyhjennys

- Tyhjennä polttoainesäiliö alussa kuten dieselőljysuodatinta puhdistessaasi.
- Kun olet ottanut dieselőljysuodattimen pois, aseta suppilo öljysuodattimen pidikkeen (kuva 6/kohta I) alle ja avaa polttoainehana (kuva 6/kohta E).
- Johdata säiliössä oleva dieselpolttoaine suppilon kautta dieselőljykanisteriin. (**HUOMIO:** huolehdi siitä, että dieselőljykanisteri on riittävän suuri, jotta siihen mahtuu säiliössä oleva polttoainemäärä!)
- Tarvittaessa voi polttoainesäiliön tyhjentämisen keskeyttää sulkemalla polttoainehana.
- Tahjennyksen jälkeen kootaan laite kuten kohdassa 8.3 neuvotaan.

9. Talvikäyttö

Koska generaattorin käyttövoimana on dieselmoottori, tulee talvikäyttöä varten ryhtyä erityisiin varotoimenpiteisiin.

Kun dieselgeneraattoria käytetään -3° - -10°C ulkolämpötilassa, niin "talvidieselőljyn" käyttö on pakollista. Dieselpolttoaineen vaihto "talvidieselőljyyn" tapahtuu eri maissa eri aikaan, mutta useimmiten lokakuun lopussa. "Talvidieselőljyn" vaihtoajankohdan saat tietoosi huoltoasemaltasi.

- Jos käytät dieselgeneraattoria säännöllisesti, ei ole tarpeen tehdä mitään erityistä, koska vaihto "talvidieselöljyyn" tapahtuu automaattisesti.
- Jos et käytä generaattoria syksyllä pitempään aikaan, mutta aiot käyttää sitä talvella, on suositeltavaa pitää polttoainesäiliö lähes tyhjänä tai tyhjentää se, kuten kohdassa 8.4 on kuvattu.
- Selvitä "talvidieselöljyn" vaihtoajankohta huoltoasemaltasi ja täytä polttoainesäiliöön "talvidieselöljyä" ennen kuin ulkolämpötila laskee -3° - -10°C-alueelle.
- Jos dieselpolttoaine kuitenkin joskus "paakkuuntuu", täytyy dieselgeneraattori tuoda n. 12 tunnin ajaksi tilaan, jonka lämpötila on n. +10°C.
- Jos polttoainesäiliö on puoliksi tai kokonaan täynnä normaalia dieselpolttoainetta, tulee se tyhjentää, kuten kohdassa 8.4 selitetään.
- Sen jälkeen polttoainesäiliö täytetään "talvidieselöljyllä".
- Jos säiliö on puoliksi tai melkein tyhjä, riittää, kun se täytetään "talvidieselöljyllä".

10. Varaosatilaus

Varaosia tilatessasi anna seuraavat tiedot:

- Laitteen tyyppi
- Laitteen tuotenumero
- Laitteen tunnusnumero
- Tarvittavan varaosan varaosnumero.

Ajankohtaiset hinnat ja muut tiedot löydät osoitteesta www.isc-gmbh.info

11. Käytöstäpoisto ja uusiokäyttö

Laite on pakattu kuljetuspakkaukseen, jotta vältetään kuljetusvauriot. Tämä pakkaus on raaka-ainetta ja sitä voi siksi käyttää uudelleen tai sen voi toimittaa kierrätyksen kautta takaisin raaka-ainekiertoon. Laite on ja sen varusteet on valmistettu eri materiaaleista, kuten esim. metallista ja muoveista. Toimita vialliset rakenneosat oneglmajätehävitykseen. Tiedustele asiaa alan ammattiliikkeestä tai kunnanhallitukselta!

FIN**12. Vianhakukaavio**

Häiriö	Syy	Toimenpide
Mooottori ei käynnisty	<ul style="list-style-type: none"> – öljynpaineatkaisin päällä (punainen valodiodei (kuva 2/kohta 8)) – ei polttoainetta – mekaaninen keskeytin (kuva 5/kohta A) on asennossa „STOP“ – dieselsuodatin tukossa – ilmansuodatin liikainen – dieselpolttoaine “paakkuuntunut” alhaisen lämpötilan vuoksi 	<ul style="list-style-type: none"> – tarkasta öljymäärä, lisää öljyä – lisää dieselpolttoainetta – kytke mekaaninen keskeytin asentoon „RUN“ – puhdista dieselsuodatin tai vaihda uuteen – puhdista ilmansuodatin tai vaihda uuteen – menettele kuten kohdassa “Talvikäyttö” neuvotaan
Generaattorissa on liian vähän tai ei lainkaan jännitettä	<ul style="list-style-type: none"> – säädin tai kondensaattori viallinen – ylijännitesuojakytkin lauennut – generaattorin hiiliharjat kuluneet 	<ul style="list-style-type: none"> – ota yhteyttä valtuutettuun korjaamoon – toimenna kytkin ja vähennä kulutusta – ota yhteyttä valtuutettuun korjaamoon

Sisukord

1. Ohutusjuhised
2. Seadme kirjeldus
3. Tarnekomplekt
4. Sihipärane kasutamine
5. Tehnilised andmed
6. Enne kasutuselevõttu
7. Käsitsemine
8. Hooldus
9. Talvine režiim
10. Varuosade tellimine
11. Jäätmete äravedu ja taaskasutamine
12. Veaotsinguplaan

EE**⚠ Tähelepanu!**

Vigastuste ja kahjustuste vältimiseks tuleb seadme kasutamisel mõningaid ohutusabinõusid tarvitusele võtta. Seepärast lugege kasutusjuhend / ohutusjuhised hoolikalt läbi. Hoidke see alles, et informatsioon oleks Teil igal ajal käepärast. Kui Te peaksite seadme teisele isikule üle andma, siis andke talle ka kasutusjuhend / ohutusjuhised. Me ei võta mingit vastutust õnnetuste või kahjude eest, mis tekivad käesoleva juhendi ja ohutusjuhiste mittejärgimisel.

1. Ohutusjuhised

Vastavad ohutuseeskirjad leiata kaasasolevast brošüürist.

⚠ HOIATUS!**Lugege kõiki ohutusjuhiseid ja juhendeid.**

Ohutusjuhiste ja juhendite eiramine võib põhjustada elektrilöögi, põletuse ja/või raskeid vigastusi.

Hoidke kõik ohutusjuhised ja juhendid alles.**2. Seadme kirjeldus (joonised 1/2)**

1. Paaginäidik
2. Paagikork
3. Juhtraud lükkamiseks
4. Õhufiltri kaas
5. Hoolduskaas
6. Rattad
7. Dekompressiooninöör
8. Õlirõhu hoiatuslamp
9. Voltmeeter
10. Turvalüliti 400 V 3~
11. Ümberüliti 230 V~/400 V 3~
12. Turvalüliti 230 V~
13. 1x 12 V DC turvalüliti
14. Maandusühendus
15. 1 x 12 V DC ühendus
16. 2 x 230 V pistikupesa
17. 1 x 400 V ~ pistikupesa
18. Süütelukk

3. Tarnekomplekt (joonised 1–3)

- Generaator
- 12V adapteriga kaabel (joonis 3/19)
- Aku kinnituskomplekt (joonis 3/20)
- Silmusvõti (joonis 3/21)

4. Sihipärane kasutamine

Seade sobib kõigiks rakendusteks, mis on ettenähtud kasutamiseks 230V/ 400V vahelduvvooluga või 12V alalisvooluga. Järgige kindlasti piiranguid täiendavates ohutusjuhistes. Generaator on mõeldud elektritööriistade käitamiseks ja valgusallikate vooluvarustuseks. Majapidamisseadmete sobivust kontrollige tootja andmete alusel. Kahtluse korral küsige volitatud edasimüüjalt.

Masinat võib kasutada ainult sihipärasel otstarbel. Igasugune teisel otstarbel kasutamine ei ole sihipärane. Kõigi sellest tulenevate kahjude või vigastuste eest vastutab kasutaja/käitaja ja mitte tootja.

Võtke palun arvesse, et meie seadmed ei ole konstrueeritud ettevõtluses, käsitööstuses ega tööstuses kasutamise otstarbel. Me ei anna mingit garantiid, kui seadet kasutatakse ettevõtluses, käsitööstuses või tööstuses jt sarnastel tegevusaladel.

5. Tehnilised andmed

Generaator:	sünkroon
Kaitseklass:	IP 23
Püsivõimsus S1:	4400 W/400 V; 3000 W/230 V
Maksimumvõimsus S2 (max 5 min):	5000 W/400 V; 3300 W/230 V
Püsivõimsus (12 V d.c.):	100 W
Nimipinge:	2x 230V~/1x 400V~/1x 12V DC
Nimivool:	13 A (230V~/) / 6,3 A (400V 3~/)
Sagedus:	50Hz
Töömaht:	418 ccm
Mootori võimsus:	7,36 kW / 10 hj
Kütus:	diislikütus
Paagi maht:	16 liitrit
Mootoriõli:	1,65 l (15W40)
Kaal:	182 kg
Helirõhu tase L_{pA} :	74,27 dB(A)
Müratase L_{WA} /Hälbepiir K	94,27 dB(A) / 1,73 dB(A)
Võimsustegur $\cos \varphi$:	0,8
Võimsusklass:	G1
Max rakenduskõrgus (üNN):	1000 m

Režiim S1 (Pidev režiim)

Masinat võib käitada antud võimsusega pidevalt.

Režiim S2 (Lühiajaline režiim)

Masinat võib käitada antud võimsusega lühiajaliselt (5 min). Seejärel peab masin mõne aja seisma (5 min), et mitte lubamatult kuumeneda.

6. Enne kasutuselevõttu

Tähelepanu! Enne esimest kasutuselevõttu tuleb masinasse panna mootoriõli ja diislikütust.

- Valmistage aku ette ja ühendage (**Tähelepanu!** aku ei ole tarnekomplektis). Kinnitage aku (joonis 4/A) seadmesse (joonis 3/20) aku kinnitusvahendite komplekti abil (joonis 4). Ühendage aku külge kõigepealt punane juhe (+) ja seejärel must juhe (-).
- Kontrollige diislikütuse taset, vajadusel lisage kütust.
- Tagage seadmele piisav õhutus.
- Kontrollige generaatori vahetut lähedust hoolikalt
- Vajadusel ühendage elektriseade generaatorist lahti.

6.1 Elektriohutus

- Elektrijuhtmed ja ühendatud seadmed peavad olema laitmatu seisukorras.
- Võib ühendada ainult selliseid seadmeid, mille pingeadmed vastavad generaatori väljundpingele.
- Ärge ühendage generaatorit vooluvõrku (pistikupessa).
- Juhtme pikkus tarbijani peaks olema võimalikult lühike.

6.2 Keskkonnakaitse

- Määratud hooldusmaterjal ja käitusained viige selleks ettenähtud kogumiskohta.
- Pakend, metall ja plastmass viige taaskasutusse.

6.3 Maandus

Generaator peab olema maandatud, et vältida elektriseadmelt elektrilöögi saamist. Selleks ühendage juhtme üks ots generaatori maandusühendusega (joonis 2/14) ja teine eemalasuva maandusega (nt maandusvardaga).

7. Käsitsemine**7.1 Mootori käivitamine**

- Kontrollige, kas mehhaaniline lüliti (joonis 5/A) on asendis „RUN“.
- Avage kütusekraan (joonis 6/E).
- Keerake toitelüliti (joonis 2/18) võtmega asendisse „ON“.
- Tõmmake dekompressiooninööri (joonis 2/7) ja keerake toitelüliti võtmega asendisse „Start“. Umbes 5 sekundi pärast vabastage dekompressioonilüliti ja mootor hakkab tööle.
- Kui mootor töötab, keerake toitelüliti tagasi asendisse „ON“.
- Juhul kui mootor ei käivitu kohe (eriti siis, kui enne on paak tühi olnud või pärast kütusefiltri vahetamist), korrake käivitusprotsessi dekompressiooninööri veelkordse tõmbamisega.

7.2 Generaatori koormamine

- Kui Te keerate ümberüliti (joonis 2/11) vasakule, võite kasutada 230V~ pistikupesa.
Tähelepanu: Kuigi selles asendis jaotatakse 3000 W püsivõimsus (S1) kahe pistikupesa vahel, võite ka iga pistikupesale eraldi anda 3000 W koormust. Mõlema pistikupesa kogukoormus võib lühiajaliselt (S2) olla maksimaalselt 3300 W.
- Kui Te keerate ümberüliti (joonis 2/11) paremale, on aktiveeritud 400V 3~ pistikupesa.
Tähelepanu: Seda pistikupesa või pidevalt (S1) koormata 4400 vatiga ja lühiajaliselt (S2) maksimaalselt 5 minutit 5000 vatiga.
- Generaator sobib 230 V~ ja 400 V 3~ vahelduvvooluseadmetele.
- Lisaks võib generaatorit koormata pidevalt 12VDC 100 vatiga (joonis 2/15).
- Ärge ühendage generaatorit majapidamise elektrivõrku, see võib põhjustada generaatori või teiste majas asuvate elektriseadmete kahjustusi.

EE

Märkus: Mõnedel elektriseadmetel (tikksaad, puurmasinad jms) võib olla suurem voolutarve, kui neid kasutatakse raskemates tingimustes.

Mõnesid elektriseadmeid (nt telerid, arvutid, ...) ei või generaatoriga käitada. Kahtluse korral uurige seadme tootjalt järele.

7.3 Ülekoormuskaitse

Generaator on varustatud ülekoormuskaitsega. See lülitab vastavad pistikupesad ülekoormuse puhul välja.

Tähelepanu! Kui see peaks juhtuma, vähendage elektrivõimsust, mida generaatorilt tarbite, või eemaldage ühendatud defektseid seadmeid.

Tähelepanu! Vigased ülekoormuslülitid võib asendada ainult samasuguste võimsusandmetega ja samasuguse ehitusega ülekoormuslülititega. Selleks pöörduge klienditeenindusse.

12V DC ühendus:

Ülekoormuse korral lülitub 12V DC ühendus välja (joonis 2/15). Ülekoormuskaitse lüliti (joonis 2/13) vajutamise saab 12V DC ühenduse jälle kasutusse võtta.

230V ~ pistikupesad:

Ülekoormuse korral lülituvad 230V~ pistikupesad välja (joonis 2/16). Ülekoormuskaitse lüliti (joonis 2/12) sisselülitamisega saab 230V~ pistikupesad jälle kasutusse võtta.

400 V 3~ pistikupesa:

Ülekoormuse korral lülitub 400V 3~ ühendus välja (joonis 2/17). Ülekoormuskaitse lüliti (joonis 2/10) sisselülitamisega saab 400V 3~ pistikupesad jälle kasutusse võtta.

7.4 Mootori seiskamine

- Enne generaatori seiskamist laske sel lühidalt ilma koormuseta töötada, et seade saaks maha jahtuda.
- Keerake toitelüliti (joonis 2/18) võtmega asendisse "OFF".
- Sulgege kütusekraan.

Märkus: Mootori võib seisata ka mehhaanilise lüliti (joonis 5/B) vajutamise sa. Sellisel juhul tuleb enne järgmist käivitamist tõmmata hoob (joonis 5/A) tagasi paremale, kuni see fikseerub.

8. Hooldus

Pange enne iga puhastus- ja hooldustööd mootor seisma.

Eemaldage masinalt regulaarselt tolm ja mustus. Kõige parem on kasutada puhastamiseks peenikest harja või lappi.

- Ärge kasutage plastmassdetailide puhastamiseks söövitavaid vahendeid.
- Kui generaatorit pikemat aega ei kasutata, tuleb diislikütus välja võtta.

Tähelepanu: seisake seade kohe ja pöörduge teenindustöökotta:

- ebatavalise vibratsiooni või müra korral.
- kui mootor tundub olevat ülekoormatud või töötab ebaühtlaselt.

8.1 Õlivahetus, õlitaseme kontrollimine (enne iga kasutamist)

Esimene mootoriõlivahetus tuleb teostada pärast umbes 20 töötundi töösooja mootoriga. Seejärel tuleb mootoriõli vahetada iga 150 töötundi järel töösooja mootoriga.

- Kasutage ainult (15W40) mootoriõli.
- Seadke elektrigeneraator sobivale tasasele pinnale.
- Avage õlitäitekork (joonis 5/C).
- Avage õli väljalaskekrugi (joonis 5/D) ja laske soe mootoriõli väljavoolukanali kaudu spetsiaalsesse anumasse.
- Pärast vanaõli väljavoolamist sulgege õli väljalaskekrugi ning puhastage väljavoolukanal lapiga.
- Valage mootoriõli sisse kuni õlimõõtevarda ülemise märgini.

Tähelepanu: Õlitaseme kontrollimiseks ärge keerake õlimõõtevarrast kinni, vaid pistke ainult kuni keermeni sisse.

- Vanaõli tuleb korralikult kasutada.

8.2 Õhufiltri puhastamine (vt joonised 8–13)

- Enne iga kasutamist kontrollige ja vajadusel puhastage õhufiltrit, kui vaja, vahetage.
- Elementide puhastamiseks ei tohi kasutada tugevatoimelist puhastusvahendit ega bensiini.
- Puhastage elemendid tasasel pinnal koputamisega.

8.3 Diislikütusefiltri puhastamine (joonis 6)

Diislikütusefiltrit (joonis 6/G) tuleb puhastada, kui vaateavast (joonis 6/H) on mustust näha.

Diislikütusefiltri puhastamiseks on Teil vaja bensiini-/diislikütuse-kindla kütusevoolikuga lehtrit, bensiini-/diislikütuse-kindlaid kindaid ja tühja diislikütusekanistrit (TÄHELEPANU: ärge segage kunagi kontrollimatult bensiini ja diislikütust!).

- Sulgege kütusekraan (joonis 6/E).
- Keerake rihvelmutter (joonis 6/F) vabamaks.
- Juhtige lehtri kütusevoolik diislikütusekanistrisse ja hoidke lehtrit vaateava (joonis 6/H) all.
- Keerake rihvelmutter (joonis 6/F) päris lahti ja laske vaateava puhas diislikütus lehtrisse.
- Laske määrdunud diislikütusejäägil puhastuspaberisse imbuda. Puhastage vaateava.
- Tõmmake diislikütusefilter filtrihoidikust allapoole, eemaldage mustusejäägid diislikütusefiltrist puhastuspaberiga, vajadusel puhastage vähese diislikütusega või kahjustuste korral vahetage diislikütusefilter. Uutiliseerige puhastuspaber.
- Kokkupanek toimub vastupidises järjekorras.

8.4 Paagi tühjendamine

- Paagi tühjendamiseks toimige alguses nii, nagu diislikütusefiltri puhastamisel.
- Pärast diislikütusefiltri äravõtmist seadke lehter filtrihoidiku (joonis 6/I) alla ja avage kütusekraan (joonis 6/E).
- Laske diislikütusel paagist lehtri kaudu diislikütusekanistrisse voolata. (TÄHELEPANU: pange tähele, et diislikütusekanister oleks piisavalt suur, mahutamaks paaki jäänud kogust!).
- Vajadusel saab paagi tühjendamise kütuskraani sulgemisega katkestada.
- Pärast tühjendamist pange masin kokku, nagu on kirjeldatud punktis 8.3.

9. Talvine režiim

Kuna generaator töötab diiselmootoriga, tuleb talviseks kasutamiseks võtta tarvitusele spetsiaalsed abinõud.

Diisलगeneraatori kasutamisel välistemperatuuridel –3 kuni –10 °C peab kasutama talvist diislikütust. Üleminek talvisele diislikütusele toimub riigiti erinevalt, enamasti oktoobri lõpus. Diislikütusele üleminemise aega võite küsida tanklast.

- Kui Te kätate diisलगeneraatorit korrapäraselt, ei ole Teil vaja mingeid meetmeid tarvitusele võtta, sest talvisele diislikütusele üleminek toimub automaatselt.
- Juhul kui Te generaatorit sügisel pikemat aega ei kasuta, kuid soovite talvel jälle kasutama hakata, on soovitatav hoida paaki tühjana või tühjendada, nagu on kirjeldatud punktis 8.4.
- Uurige talvisele diislikütusele ülemineku aega tanklast ning täitke paak enne välistemperatuuridel –3 kuni –10 °C kasutamist talvise diislikütusega.
- Kui diislikütus peaks siiski „paksuks minema“, peate diisलगeneraatori umbes 12 tunniks tooma u +10 °C temperatuuriga ruumi.
- Kui paak on täis või poolenisti täis tavalist diislikütust, tuleb see tühjendada, nagu on kirjeldatud punktis 8.4.
- Seejärel tuleb paak täita talvise diislikütusega.
- Peaaegu tühja või vähem kui pooltäis paagi korral piisab talvise diislikütuse lisamisest.

10. Varuosade tellimine

Varuosade tellimisel on vajalikud järgmised andmed:

- Seadme tüüp
 - Seadme artiklinumber
 - Seadme identifitseerimisnumber
 - Vajamineva varuosaga number
- Kehtivad hinnad ja info leiate aadressilt www.isc-gmbh.info

EE

11. Utiliseerimine ja taaskasutus

Transpordikahjustuste vältimiseks on seade pakendis. See pakend on tooraine ja seega taaskasutatav või uuesti ringlusse suunatav. Transpordikahjustuste ja selle tarvikud koosnevad erinevatest materjalidest, nagu nt metall ja plastmass. Viige katkised detailid spetsiaalsesse kogumiskohta. Uurige järele erikauplustest või kohalikust omavalitsusest!

12. Veotsinguplaan

Tõrge	Põhjus	Abinõu
Mootorit ei saa käivitada	<ul style="list-style-type: none"> - õilirõhulüliti rakendub (punane LED-lamp (joonis 2/8)) - diislikütust ei ole - mehhaaniline lüliti (joonis 5/A) on asendis "STOP" - diislikütusefilter on ummistunud - õhufilter on määrdunud - diislikütus on madala välistemperaatuuri tõttu "paksuks läinud" 	<ul style="list-style-type: none"> - kontrollige õlitaset, lisage mootoriõli - lisage diislikütust - seadke mehhaaniline lüliti asendisse „RUN“ - puhastage või vahetage diislikütusefilter - puhastage või vahetage õhufilter - toimige nii, nagu on kirjeldatud punktis "Talvine režiim"
Generaatori pinge on väike või pinge puudub	<ul style="list-style-type: none"> - regulaatori või kondensaatori viga - ülepingekaitse on rakendunud - generaatori süsiharjad on kulunud 	<ul style="list-style-type: none"> - pöörduge volitatud klienditeenindusse - vajutage lüliti ja vähendage tarbijaid - pöörduge volitatud klienditeenindusse

LV

Satura rādītājs

1. Drošības norādījumi
2. Ierīces apraksts
3. Piegādes komplekts
4. Noteikumiem atbilstoša lietošana
5. Tehniskie rādītāji
6. Darbības pirms ekspluatācijas uzsākšanas
7. Lietošana
8. Apkope
9. Ekspluatācija ziemā
10. Rezerves daļu pasūtīšana
11. Utilizācija un otrreizējā izmantošana
12. Trūkumu noteikšanas plāns

⚠ Uzmanību!

Lietojot ierīces, jāievēro vairāki drošības pasākumi, lai novērstu savainojumus un bojājumus. Tāpēc rūpīgi izlasiet šo lietošanas instrukciju/drošības norādījumus. Saglabājiet to, lai šī informācija katrā laikā Jums būtu pieejama. Gadījumā, ja ierīce ir jānodod citai personai, lūdzu, iedodiet līdzi arī šo lietošanas instrukciju/drošības norādījumus. Mēs neuzņemamies nekādu atbildību par negadījumiem vai zaudējumiem, kas rodas, neievērojot šo instrukciju un drošības norādījumus.

1. Drošības norādījumi

Ar atbilstošajiem drošības norādījumiem iepazīstieties pievienotajā burtnīcīnā.

⚠ BRĪDINĀJUMS!

Izlasiet visus drošības norādījumus un instrukcijas.

Neievērojot drošības norādījumus un instrukcijas, var gūt elektrisko triecienu, apdegumus un/vai smagas traumas.

Uzglabājiet visus drošības norādījumus un instrukcijas, lai tos nepieciešamības gadījumā varētu izmantot nākotnē.

2. Ierīces apraksts (1./2. attēls)

1. Degvielas tvertnes rādītājs
2. Degvielas tvertnes vāks
3. Rokturis
4. Gaisa filtra vāks
5. Apkopes vāks
6. Ritentiņi
7. Dekompresijas vadības trose
8. Eļļas spiediena brīdinājuma signāllampiņa
9. Voltmetrs
10. Drošības relejs 400 V 3~
11. Pārslēdzējs 230 V~/400 V 3~
12. Drošības relejs 230 V~
13. 1 x 12 V līdzstrāvas drošības relejs
14. Zemējuma pieslēgums
15. 1 x 12 V līdzstrāvas pieslēgvietā
16. 2 x 230 V kontaktligzda
17. 1 x 400 V 3~ kontaktligzda
18. Aizdedzes slēdzis

3. Piegādes komplekts (1.-3. attēls)

- Elektroģenerators
- 12 V adaptera kabelis (3. attēls/19. poz.)
- Akumulatora stiprināšanas komplekts (3. attēls/20. poz.)
- Uzliekamā uzgriežņu atslēga (3. attēls/21. poz.)

4. Noteikumiem atbilstoša lietošana

Ierīce ir piemērota visa veida lietošanai, kas paredz ekspluatāciju no 230 V~ / 400 V 3~ un 12 V līdzstrāvas avota. Noteikti ievērojiet papildu drošības norādījumus minētos ierobežojumos. Ģenerators ir paredzēts elektroinstrumentu ekspluatācijai un strāvas piegādei gaismas avotiem. Lietojot mājsaimniecības ierīces, pārbaudiet atbilstību ražotāja norādītajai informācijai. Šaubu gadījumā jautājiet pilnvarotam tirdzniecības pārstāvim.

Ierīci drīkst lietot tikai tai paredzētajiem mērķiem. Ierīces izmantošana, kas neatbilst minētajiem mērķiem, nav noteikumiem atbilstoša. Par visa veida bojājumiem vai savainojumiem ir atbildīgs lietotājs/operators, nevis ražotājs.

Ievērojiet, ka mūsu ierīces atbilstoši noteikumiem nav konstruētas komerciālai, amatnieciskai vai rūpnieciskai izmantošanai. Mēs neuzņemsimies nekādu garantiju, ja ierīce tiek izmantota komerciālos, amatniecības vai rūpniecības uzņēmumos, kā arī tamlīdzīgos papilddarbos.

LV

5. Tehniskie rādītāji

Generators:	sinhrons
Aizsardzības veids:	IP23
Jauda ilglaicīgā darbības režīmā, P_{nom} (S1):	4400 W/400 V 3~; 3000 W/230 V~
Maksimālā jauda, P_{max} (S2 5 min.):	5000 W/400 V 3~; 3300 W/230 V~
Jauda ilglaicīgā darbības režīmā, P_{nom} (12 V	
līdzstrāva):	100 W
Nominālais spriegums, U_{nom} :	2 x 230 V~/1x 400 V 3~/1x 12 V
līdzstrāva Nominālā strāva, I_{nom} :	13 A (230 V~/) / 6,3 A (400 V 3~/)
Frekvence, F_{nom} :	50 Hz
Darba apjoms:	418 cm ³
Motora jauda:	7,36 kW / 10 ZS
Degviela:	dīzeļdegviela
Degvielas tvertnes tilpums:	16 l
Motoreļļa:	1,65 l (15W40)
Svars:	182 kg
Skaņas spiediena līmenis L_{pA} :	74,27 dB(A)
Skaņas jaudas līmenis $L_{WA}/kļūda K$	94,27 dB (A)/1,73 dB(A)
Jaudas koeficients, $\cos \varphi$:	0,8
Jaudas klase:	G1
Maks. uzstādīšanas augstums (v.j.l.):	1000 m

Darbības režīms S1 (ilglaicīga darbība)

Ierīci ilgstoši var ekspluatēt ar norādīto jaudu.

Darbības režīms S2 (īslaicīga darbība)

Ierīci īslaicīgi var ekspluatēt ar norādīto jaudu (5 min.). Pēc tam ierīcei kādu brīdi nav jādarbojas, lai novērstu nepieļaujamu sasilšanu (5 min.).

6. Darbības pirms ekspluatācijas uzsākšanas

Uzmanību! Pirms ekspluatācijas uzsākšanas ierīcē ir jāiepilda motoreļļa un dīzeļdegviela.

- Sagatavojiet un pievienojiet akumulatoru (**Uzmanību!** Akumulators nav iekļauts piegādes komplektā). Nostipriniet akumulatoru (4. attēls/A poz.) ierīcē (4. attēls), izmantojot akumulatora stiprināšanas komplektu (3. attēls/20. poz.). Vispirms pie akumulatora pieslēdziet sarkano vadu (+), pēc tam melno vadu (-).
- Pārbaudiet dīzeļdegvielas līmeni, vajadzības gadījumā papildiniet.
- Gādājiet par ierīces pietiekamu ventilāciju.
- Novērtējiet ģenerators tiešo apkārtni.
- Atvienojiet no ģenerators iespējami pieslēgto elektrisko ierīci.

6.1. Elektriskā drošība

- Elektriskajām barošanas līnijām un pieslēgtajām ierīcēm jābūt nevainojamā stāvoklī.
- Drikst pieslēgt tikai tādas ierīces, kuru norādītais spriegums sakrīt ar ģenerators izejas spriegumu.
- Nekad nesavienojiet ģenerators ar strāvas tīklu (kontaktligzdu).
- Līnijas garumam līdz patērētājam jābūt pēc iespējas īsam.

6.2. Vides aizsardzība

- Netīrus apkopes materiālus, degvielu un eļļu nododiet tiem paredzētā savākšanas vietā.
- Iepakojuma materiālu, metālu un plastmasu nododiet pārstrādei.

6.3. Iezemēšana

Statisko lādiņu novadīšanai ir nepieciešama korpusa iezemēšana. Šim nolūkam vadu vienā ģenerators zemējuma pieslēguma pusē (2. attēls/14. poz.) savienojiet ar ārēju zemējumu (piem., stieņa zemētāju) otrajā pusē.

7. Lietošana

7.1. Motora iedarbināšana

- Pārbaudiet, vai mehāniskais slēdzis (5. attēls/A poz.) ir nofiksēts labajā pozīcijā.
- Atveriet degvielas krānu (6. attēls/E poz.).
- Ieslēgšanas/izslēgšanas slēdzi (2. attēls/18. poz.) ar atslēgu novietojiet pozīcijā „ON”.
- Izvelciet dekompresijas vadības trosi (2. attēls/7. poz.) un ieslēgšanas/izslēgšanas slēdzi ar atslēgu pagrieziet pozīcijā „Start”. Pēc apm. 5 sek. atlaidiet dekompresijas slēdzi un motors sāks darboties.
- Kad motors darbojas, pagrieziet atpakaļ ieslēgšanas/izslēgšanas slēdzi pozīcijā „ON”.
- Ja motors uzreiz neiedarbinās (īpaši, ja pirms tam ir bijusi tukša degvielas tvertne, vai pēc dīzeļdegvielas filtra maiņas), mēģiniet iedarbināt vēlreiz, atkārtoti velkot aiz dekompresijas vadības troses.

7.2. Elektroģenerators noslogošana

- Novietojot pārslēdzēju (2. attēls/11. poz.) pa labi, varat lietot 230 V ~ kontaktligzdas. **Uzmanību!** Lai gan šajā pozīcijā 3000 W jauda ilglaicīgā darbības režīmā (S1) tiek sadalīta uz 2 kontaktligzdām, ar 3000 W lielu jaudu varat noslogot tikai vienu kontaktligzdu. Abu kontaktligzdu kopējā slodze īslaicīgi (S2) uz 5 minūtēm drīkst sasniegt maksimāli 3300 W.
- Novietojot pārslēdzēju (2. attēls/11. poz.) pa kreisi, varat aktīvi lietot 400 V 3~ kontaktligzdu. **Uzmanību!** Šo kontaktligzdu ilgstoši (S1) drīkst noslogot ar 4400 W un īslaicīgi (S2) maksimāli 5 minūtes – ar 5000 W lielu jaudu.
- Elektroģenerators ir piemērots 230 V~ un 400 V 3~ maiņstrāvas ierīcēm.
- Elektroģeneratoru papildus ilgstoši var noslogot ar 12 V līdzstrāvu, 100 W (2. attēls/15. poz.). Šim nolūkam izmantojiet klātpievienoto adaptera kabeli (3. attēls/19. poz.).
- Nepieslēdziet ģeneratoru mājāsaimniecības tīklā, tādējādi var rasties ģeneratora vai citu mājas elektroierīču bojājumi.

Norādījums: dažām elektroierīcēm (elektriskajiem figūrzāģiem, urbjmašīnām utt.) var būt augstāks strāvas patēriņš, ja tās tiek lietotas smagākos apstākļos. Dažas elektroierīces (piem., televīzijas ierīces, datoru utt.) nedrīkst darbināt, izmantojot ģeneratoru.

Šaubu gadījumā jautājiet ierīces ražotājam.

7.3. Pārslodzes aizsardzība

Ģenerators ir aprīkots ar drošinātāju pret pārslodzi. Tas pārslodzes gadījumā atslēdz attiecīgās kontaktligzdas.

Uzmanību! Ja notiek šāds gadījums, samaziniet elektrisko jaudu, kuru jūs patērējat no elektroģeneratora, vai atvienojiet bojātās, pievienotās ierīces.

Uzmanību! Bojātos pārslodzes slēdžus drīkst nomainīt tikai ar analogiskas konstrukcijas pārslodzes slēdžiem (ar analogiskiem darba raksturlielumiem). Šim nolūkam vērsieties attiecīgajā apkalpošanas dienestā.

12 V līdzstrāvas pieslēgvietā

Pārslodzes gadījumā tiek atslēgta 12 V līdzstrāvas pieslēgvietā (2. attēls/15. poz.). Nospiežot pārslodzes slēdzi (2. attēls/13. poz.), var atkārtoti sākt lietot 12 V līdzstrāvas pieslēgvietu.

230 V~ kontaktligzdas

Pārslodzes gadījumā tiek atslēgtas 230 V~ kontaktligzdas (2. attēls/16. poz.). Ieslēdzot pārslodzes slēdzi (2. attēls/12. poz.), var atkārtoti sākt lietot 230 V~ kontaktligzdas.

400 V 3~ kontaktligzda

Pārslodzes gadījumā tiek atslēgta 400 V 3~ kontaktligzda (2. attēls/17. poz.). Ieslēdzot pārslodzes slēdzi (2. attēls/10. poz.), var atkārtoti sākt lietot 400 V 3~ kontaktligzdu.

7.4. Motora izslēgšana

- Pirms izslēgšanas ļaujiet elektroģeneratoram darboties bez noslodzes, lai agregāts varētu „papildu atdzist”.
- Ieslēgšanas/izslēgšanas slēdzi (2. att./18. poz.) ar atslēgu novietojiet pozīcijā “OFF”.
- Aizgrieziet degvielas krānu.

Norādījums: motoru var izslēgt arī, nospiežot mehānisko slēdzi (5. attēls/B poz.). Šajā gadījumā pirms atkārtotas iedarbināšanas svira (5. attēls/A poz.) atkal jāpabīda pa labi, kamēr tā nofiksējas.

LV

8. Apkope

Pirms visiem tīrīšanas un apkopes darbiem izslēdziet motoru.

No ierīces regulāri jānotīra putekļi un netīrumi. Vislabāk tīrīšanu veikt ar smalku suku vai lupatu.

- Plastmasas detaļu tīrīšanai nelietojiet nekādus kodīgus līdzekļus.
- Ja elektroģeneratoru nelietojat ilgāku laiku, izlejiet no ģeneratora dīzeļdegvielu.

Uzmanību! Nekavējoties apstādiniet ierīci un vērsieties savā apkopes stacijā:

- neparastu vibrāciju vai trokšņu gadījumā;
- ja motors izskatās pārslogots vai darbojas neregulāri.

8.1. Eļļas maiņa, eļļas līmeņa pārbaude (pirms katras lietošanas)

Pirmā motoreļļas maiņa būtu jāveic, kad motors ir iesildīts, pēc apm. 20 darbības stundām. Pēc tam motoreļļas maiņa jāveic ik pēc 150 stundām, kad motors ir iesildīts.

- Izmantojiet tikai motoreļļu (15W40).
- Novietojiet elektroģeneratoru uz piemērota līdzena paliktņa.
- Atskrūvējiet eļļas iepildīšanas atveres aizgriezni (5. attēls/C poz.).
- Atskrūvējiet eļļas notecināšanas atveres aizgriezni (5. attēls/D poz.) un pa izplūdes kanālu, kas atrodas zem tā, noteciniet silto motoreļļu savākšanas traukā.
- Pēc atstrādātās eļļas izplūdes aizgrieziet eļļas notecināšanas atveres aizgriezni un notīriet izplūdes kanālu ar drānu.
- Iepildiet motoreļļu līdz eļļas mērstieņa augšējai atzīmei (7. attēls).

Uzmanību! Lai pārbaudītu eļļas līmeni, eļļas mērstieni neieskrūvējiet, bet ielieciet tikai līdz vītnei. Atstrādātā eļļa atbilstīgi jāutilizē.

8.2. Gaisa filtra tīrīšana (sk. 8.-13. attēlu)

- Pirms katras lietošanas pārbaudiet gaisa filtru, iespējams iztīriet, nepieciešamības gadījumā nomainiet.
- Elementu tīrīšanai nedrīkst izmantot kodīgus tīrīšanas līdzekļus vai benzīnu.
- Tīriet elementus, izdauzot uz līdzenas virsmas.

8.3. Dīzeļdegvielas filtra tīrīšana (6. attēls)

Dīzeļdegvielas filtrs (6. attēls/G poz.) jātīra, ja netīrumi kļūst redzami līmeņrādītājā (6. attēls/H poz.). Dīzeļdegvielas filtra tīrīšanai nepieciešama piltuve, kas savienota ar benzīna/dīzeļdegvielas izturīgu degvielas šļūteni, benzīna/dīzeļdegvielas izturīgi cimdi, kā arī tukša dīzeļdegvielas kanna (**UZMANĪBU!** Nekad nekontrolēti nesajauciet benzīnu un dīzeļdegvielu!).

- Aizgrieziet degvielas krānu (6. attēls/E poz.).
- Palaidiet vaļīgāk rievoto uzgriezni (6. attēls/F poz.).
- Piltuves degvielas šļūteni ievadiet dīzeļdegvielas kannā un piltuvi turiet zem līmeņrādītāja (6. attēls/H poz.).
- Pilnīgi atskrūvējiet rievoto uzgriezni (6. attēls/F poz.) un nolejiet līmeņrādītāja tīrās dīzeļdegvielas atlikušo daudzumu piltuvē.
- Netīrās dīzeļdegvielas atlikušo daudzumu uzsūciet ar tīrīšanas papīru. Iztīriet līmeņrādītāju.
- Dīzeļdegvielas filtru pavelciet uz leju no dīzeļdegvielas filtra turētāja, pie dīzeļdegvielas filtra ar tīrīšanas papīru notīriet netīrumu paliekas, vajadzības gadījumā tīriet ar mazu daudzumu dīzeļdegvielas vai bojājumu gadījumā nomainiet dīzeļdegvielas filtru. Utilizējiet tīrīšanas papīru.
- Montāžu veiciet apgriezātā secībā.

8.4. Degvielas tvertnes iztukšošana

- Lai iztukšotu degvielas tvertni, vispirms rīkojieties tāpat, kā pirms dīzeļdegvielas filtra tīrīšanas.
- Pēc dīzeļdegvielas filtra noņemšanas novietojiet piltuvi zem dīzeļdegvielas filtra turētāja (6. attēls/I poz.) un atveriet degvielas krānu (6. att./E poz.).
- Caur piltuvi novadiet dīzeļdegvielu no degvielas tvertnes dīzeļdegvielas kannā. (**UZMANĪBU!** Ievērojiet, lai dīzeļdegvielas kannā būtu pietiekami liela, lai tajā varētu ietilpt degvielas tvertne atlikušais daudzums!).
- Vajadzības gadījumā degvielas tvertnes iztukšošanu var pārtraukt, aizgriežot degvielas krānu.
- Pēc iztukšošanas pabeigšanas veiciet montāžu, kā aprakstīts 8.3. punktā.

9. Eksploatācija ziemā

Tā kā ģeneratoru darbina dīzeļmotors, eksploatācijai ziemā jāveic īpaši pasākumi.

Darbinot dīzeļģeneratoru, kad āra temperatūra ir no -3 līdz -10 °C, jālieto „ziemas dīzeļdegviela”. Pāreja no parastās dīzeļdegvielas uz „ziemas dīzeļdegvielu” dažādās valstīs notiek atšķirīgi, lielākoties oktobra beigās. Par pārejas uz „ziemas dīzeļdegvielu” brīdi varat pajautāt degvielas uzpildes stacijā.

- Ja dīzeļģeneratoru darbināt regulāri, nav nepieciešams veikt īpašus pasākumus, jo pāreja uz „ziemas dīzeļdegvielu” notiek automātiski.
- Ja rudenī ģeneratoru nelietojat ilgāku laiku, bet ziemā gribat to atkal darbināt, iesakām turēt degvielas tvertni gandrīz tukšu vai iztukšot, kā aprakstīts 8.4. punktā.
- Jautājiet par pārejas uz „ziemas dīzeļdegvielu” brīdi degvielas uzpildes stacijā un uzpildiet degvielas tvertni ar „ziemas dīzeļdegvielu”, pirms āra temperatūra noslid no -3 līdz -10 °C.
- Ja tomēr dīzeļdegviela „sarec”, ienesiet dīzeļģeneratoru uz apm. 12 stundām telpā, kuras temperatūra ir apm. +10 °C.
- Ja degvielas tvertne ir pustukša vai pilna ar parastu dīzeļdegvielu, tā jāiztukšo, kā norādīts 8.4. punktā.
- Pēc tam tvertne jāuzpilda ar „ziemas dīzeļdegvielu”.
- Ja degvielas tvertne ir gandrīz tukša vai gandrīz līdz pusei pilna, pietiek to uzpildīt ar „ziemas dīzeļdegvielu”.

10. Rezerves daļu pasūtīšana

Pasūtot rezerves daļas, jānorāda šādi dati:

- Ierīces tips
- Ierīces artikula numurs
- Ierīces identifikācijas numurs
- Rezerves daļas numurs nepieciešamajai rezerves daļai

Aktuālās cenas un informāciju atradīsiet tīmekļa vietnē www.iscgbmh.info

11. Pārstrāde un atkārtota izmantošana

Ierīce atrodas iepakojumā, lai izvairītos no transportēšanas bojājumiem. Šis iepakojums ir izejmateriāls un līdz ar to ir izmantojams otrreiz vai var tikt atgriezts izejvielu aprītē.

Ierīce un tā piederumi sastāv no dažādiem materiāliem, piem., metāla un plastmasas. Nododiet defektīvās detaļas īpašo atkritumu pārstrādei. Jautājiet specializētā veikalā vai pašvaldībā!

LV**12. Trūkumu noteikšanas plāns**

Traucējums	Cēlonis	Pasākums
Motoru nevar iedarbināt	<p>Nostrādā eļļas atslēgšanas automātika (sarkanā gaismas diode (2. attēls/8. poz.)).</p> <p>Nav dīzeļdegvielas.</p> <p>Mehāniskais pārtraucējs (5. attēls/A poz.) atbloķēts.</p> <p>Aizsprostots dīzeļdegvielas filtrs.</p> <p>Aizsprostots gaisa filtrs.</p> <p>Dīzeļdegviela zemas temperatūras dēļ ir „sarecējusi”.</p>	<p>Pārbaudiet eļļas līmeni, uzpildiet motoreļļu.</p> <p>Papildiniet dīzeļdegvielu.</p> <p>Pavirziet pa labi mehānisko pārtraucēju.</p> <p>Iztīriet vai nomainiet dīzeļdegvielas filtru.</p> <p>Iztīriet vai nomainiet gaisa filtru.</p> <p>Rīkojieties tā, kā norādīts sadaļā „Ekspluatācija ziemā”.</p>
Ģeneratoram ir par maz vai nav sprieguma	<p>Regulatora vai kondensatora defekts.</p> <p>Nostrādājis pārslodzes strāvas aizsardzības slēdzis.</p> <p>Nodilušas ģeneratora ogļu sukas.</p>	<p>Vērsieties pilnvarotā apkopes dienestā.</p> <p>Ieslēdziet slēdzi un samaziniet patēriņu.</p> <p>Iztīriet vai nomainiet filtru.</p>

Turinys

1. Saugos nurodymai
2. Prietaiso aprašymas
3. Tiekimo apimtis
4. Naudojimo paskirtis
5. Techniniai duomenys
6. Prieš pradendant eksploatuoti
7. Valdymas
8. Techninė priežiūra
9. Eksploatavimas žiemą
10. Atsarginių dalių užsakymas
11. Utilizavimas ir antrinis panaudojimas
12. Gedimų paieškos planas

LT

⚠ Dėmesio!

Naudojant prietaisus, būtina laikytis keleto saugumo užtikrinimo priemonių – nesusižalosite ir nepatirsite nuostolių. Atidžiai perskaitykite šią naudojimo ir saugos reikalavimų instrukciją. Saugokite ją, kad visada galėtumėte pasinaudoti joje pateikiama informacija. Perduodami prietaisą kitiems asmenims, kartu perduokite ir šią naudojimo ir saugos reikalavimų instrukciją. Mes neatsakome už nelaimingus atsitikimus ar žalą, patirtą nesilaikant šios instrukcijos saugos nurodymų.

1. Saugos nurodymai

Atitinkamus saugos nurodymus rasite pridedamoje knygelėje.

⚠ ĮSPĖJIMAS!

Perskaitykite visus saugos nurodymus.

Nesilaikydami saugos nurodymų galite gauti elektros smūgį, sukelti gaisrą arba sunkiai susižaloti.

Visus saugos nurodymus išsaugokite ateičiai.

2. Prietaiso aprašymas (1 / 2 pav.)

1. Bako indikatorius
2. Bako dangtis
3. Stūmimo rankena
4. Oro filtro dangtis
5. Techninės priežiūros sekcijos dangtis
6. Ritinėliai
7. Sankabos lynas dekompresijai
8. Įspėjamoji alyvos slėgio lemputė
9. Voltmetras
10. Apsaugos jungiklis 400 V 3~
11. Perjungiklis 230 V~/400 V 3~
12. Apsaugos jungiklis 230 V~
13. 1 x 12 V d. c. apsaugos jungiklis
14. Įžeminimo gnybtas
15. 1 x 12 V d. c. jungtis
16. 2 x 230 V kištukinis lizdas
17. 1 x 400 V 3~ kištukinis lizdas
18. Užvedimo spyna

3. Tiekimo apimtis (1-3 pav.)

- Elektros generatorius
- 12 V adapterio kabelis (3 pav., 19 padėtis)
- Akumuliatoriaus pritvirtinimo komplektas (3 pav., 20 padėtis)
- Žiedinis raktas (3 pav., 21 padėtis)

4. Naudojimo paskirtis

Prietaisas naudotinas dirbant 230 V~/ 400 V 3~ arba 12 V d. c. režimu. Būtinai laikykitės papildomais saugumo nurodymais išreikštų apribojimų.

Generatorius varo elektros prietaisus ir apšvietimo šaltinius aprūpina elektra. Naudodami buitinius prietaisus, remdamiesi gamintojo nurodymais, patikrinkite, ar jie yra tinkami. Jei abejojate, kreipkitės į įgaliotą prekybininką.

Įrenginį naudokite tik pagal paskirtį. Jį galima naudoti tik pagal paskirtį. Už pažeidimus, atsiradusius netinkamai naudojant prietaisą, atsako naudotojas arba operatorius, o ne gamintojas.

Atkreipkite dėmesį į tai, kad mūsų prietaisai dėl savo konstrukcijos nepritaikyti naudoti gamyboje, amatuose ar pramonėje. Mes negarantuojame, kad prietaisas gerai veiks, jeigu jis bus naudojamas gamybos, amatų, pramonės ar pan. įmonėse.

5. Techniniai duomenys

Generatorius:	„Synchron“
Apsaugos rūšis:	IP23
Nuolatinis galingumas P_{nenn} (S1):	4400 W/400 V 3~; 3000 W/230 V~
Didžiausias galingumas P_{max} (S2 5 min.):	5000 W/400 V 3~; 3300 W/230 V~
Nuolatinis galingumas P_{nenn} (12 V d. c.):	100 W
Vardinė įtampa U_{nenn} :	2 x 230 V~/1x 400 V 3~/1x 12 V d.c.
Vardinė srovė I_{nenn} :	13 A (230 V~/) / 6,3 A (400 V 3~/)
Dažnis F_{nenn} :	50 Hz
Darbinis cilindro tūris:	418 cm ³
Variklio galingumas:	7,36 kW / 10 PS
Kuras:	Dyzelis
Bako talpa:	16 l
Variklio tepalas:	1,65 l (15W40)
Svoris:	182 kg
Garso slėgio lygis L_{pA} :	74,27 dB (A)
Garso galios lygis L_{WA} / Nesandarumas K	94,27 dB (A)/1,73 dB(A)
Galios koeficientas $\cos \varphi$:	0,8
Galios klasė:	G1
Didžiausias pastatymo aukštis (virš NN):	1000 m

Darbo režimas S1 (nuolatinis režimas)

Mašina nuolatos galima dirbti su nurodyta galia.

Darbo režimas S2 (trumpalaikis režimas)

Mašina trumpai galima dirbti su nurodyta galia (5 min.). Po to mašiną kuriam laikui reikia išjungti, kad ji per daug neįkaistų (5 min).

6. Prieš pradėdant eksploatuoti

Dėmesio! Prieš pradėdant dirbti reikia įpilti variklio tepalo ir dyzelinio kuro.

- Paruošti ir prijungti akumuliatorių (**Dėmesio!** Akumuliatorius į tiekimo apimtį neįeina). Akumuliatorių (4 pav., A padėtis) prietaise (4 pav.) pritvirtinkite naudodami akumuliatoriaus pritvirtinimo komplektą (3 pav., 20 padėtis). Pirmiausia prie akumuliatoriaus prijunkite raudoną kabelį (+), tada – juodą kabelį (-).
- Patikrinkite dyzelinio kuro kiekį, jei reikia, papildykite.
- Prietaisas turi būti gerai vėdinamas.
- Įvertinkite tiesioginę generatoriaus aplinką.
- Nuo generatoriaus atjunkite galbūt prijungtą elektros prietaisą.

6.1. Elektros sauga

- Elektros laidai ir prijungti prietaisai turi būti nepriekaištingos būklės.
- Galima prijungti tik tokius prietaisus, kurių įtampa sutampa su generatoriaus išėjimo įtampa.
- Draudžiama generatorių jungti prie tinklo (į kištukinį lizdą).
- Kabeliai iki naudotojo turi būti kuo trumpesni.

6.2. Aplinkosauga

- Nešvarią techninės priežiūros medžiagą ir darbinės priemonės reikia atiduoti tokias medžiagas surenkančiai įstaigai.
- Pakavimo medžiagą, metalą ir plastiką reikia perduoti antrą kartą panaudoti.

6.3. Įžeminimas

Statinių įkrovų nuotėkiui reikia įžeminti korpusą. Dėl to vienoje pusėje kabelį prijungti prie generatoriaus įžeminimo gnybto (2 pav., 14 padėtis), o kitoje pusėje – prie išorinio įžeminimo gnybto (pvz., strypinio įžemiklio).

LT

7. Valdymas

7.1. Variklio paleidimas

- Patikrinkite, ar mechaninis jungiklis (5 pav., A padėtis) užsifiksavo dešinėje padėtyje.
- Atsukite kuro čiaupą (6 pav., E padėtis).
- Įjungimo (išjungimo) jungiklį (2 pav., 18 padėtis) raktu nustatykite ant „ON“.
- Traukite dekompresijos sankabos lyną (2 pav., 7 padėtis) ir įjungimo (išjungimo) jungiklį raktu sukite ant „Start“. Dekompresijos jungiklį po maždaug 5 sek. atleiskite ir variklis pradės veikti.
- Jei variklis veikia, įjungimo (išjungimo) jungiklį atsukite atgal ant „ON“.
- Jei variklis užsiveda ne iš karto (po prieš tai buvusio tuščio bako ar pakeitus dyzelio filtrą), paleidimo procesą traukdami dekompresijos lyną pakartokite dar kartą.

7.2. Generatoriaus apkrovimas

- Jei perjungiklį (2 pav., 11 padėtis) pasuksite į dešinę, galite naudoti 230 V~ kištukinį lizdą. Dėmesio! Nors šioje padėtyje nuolatinis 3000 W galingumas (S1) padalytas per 2 lizdus, su 3000 W taip pat galite apkrauti tik vieną kištukinį lizdą. Bendra abiejų lizdų apkrova trumpam laikui (S2) ne ilgiau kaip 5 min. gali siekti 3300 W.
- Jei perjungiklį (2 pav., 11 padėtis) pasuksite į kairę, aktyvus 400 V 3~ kištukinis lizdas. Dėmesio! Šis lizdas nuolat (S1) gali būti apkrautas 4400W, o trumpą laiką (S2) - ne ilgiau kaip 5 min. 5000W apkrova.
- Generatorius yra tinkamas 230 V~ ir 400 V 3~ kintamosios įtampos prietaisams.
- Generatorių papildomai ilgam galima apkrauti 12 V d. c., 100 W apkrova (2 pav., 15 padėtis). Tam naudokite pridėtą adapterio kabelį (3 pav., 19 padėtis).
- Generatoriaus negalima jungti į buitinį tinklą, nes gali sugesti generatorius arba kiti buitiniai elektros prietaisai.

Nuoroda: gali padidėti kai kurių elektros prietaisų (motorinių siaurapjūklių, grąžtų ir kt.) elektros sąnaudos, jei jie naudojami apsunkintomis sąlygomis. Negalima naudoti kai kurių elektros prietaisų (pvz., TV prietaisų, kompiuterių) su generatoriumi. Jei abejojate, kreipkitės į prietaiso gamintoją.

7.3. Apsauga nuo perkrovos

Generatorius apsaugotas nuo perkrovos. Įvykus perkrovai, jis išjungia atitinkamus kištukinius lizdus.

Dėmesio! Jei taip nutiktų, sumažinkite elektrinę galią, ją sumažindami generatoriuje arba pašalindami sugedusius prijungtus prietaisus.

Dėmesio! Sugedusius perkrovos jungiklius galima pakeisti tik tos pačios konstrukcijos jungikliais su tokiais pačiais galios duomenimis. Norėdami jų įsigyti, kreipkitės į savo klientų aptarnavimo centrą.

12 V d. c. jungtis:

Įvykus perkrovai 12 V d. c. jungtis (2 pav., 15 padėtis) išjungžiama. Spaudžiant perkrovos jungiklį (2 pav., 13 padėtis) 12 V d. c. jungtį galima vėl įjungti.

230 V~ kištukiniai lizdai:

Įvykus perkrovai, 230 V~ kištukiniai lizdai (2 pav., 16 padėtis) išjungžiami. Įjungus perkrovos jungiklį (2 pav., 12 padėtis) 230 V~ kištukinius lizdus galima vėl įjungti.

400 V 3~ kištukinis lizdas:

Įvykus perkrovai, 400 V 3~ kištukinis lizdas (2 pav., 17 padėtis) išjungžiamas. Įjungus perkrovos jungiklį (2 pav., 10 padėtis) 400 V 3~ kištukinį lizdą galima vėl įjungti.

7.4. Variklio išjungimas

- Prieš generatorių išjungdami, leiskite jam trumpai paveikti be apkrovos, kad agregatas „atvėstų“.
- Įjungimo (išjungimo) jungiklį (2 pav., 18 padėtis) raktu nustatykite ant „OFF“.
- Užsukite kuro kraną.

Nuoroda: variklį taip pat galima išjungti paspaudus mechaninį jungiklį (5 pav., B padėtis). Tokiu atveju prieš įjungiant reikia į dešinę vėl pastumti svirtą (5 pav., A padėtis), kol jis užsifiksuos.

8. Techninė priežiūra

Prieš atlikdami visus valymo ir techninės priežiūros darbus, išjunkite variklį.

Nuo mašinos reguliariai reikia valyti dulkes ir nešvarumus. Valyti geriausia smulkiu šepečiu arba šluoste.

- Plastikinių dalių nevalykite esdinamosiomis priemonėmis.
- Jei generatorius nenaudojamas ilgesnį laiką, iš jo reikia pašalinti dyzelį.

Dėmesio! Nedelsdami išjunkite prietaisą ir kreipkitės į savo techninės priežiūros centrą:

- atsiradus neįprastiems svyravimams ar triukšmui;
- jei variklis atrodo perkrautas arba netolygiai veikia.

8.1. Tepalo keitimas, jo lygio patikrinimas (prieš kiekvieną naudojimą)

Pašildžius variklį pirmą kartą variklio tepalą reiktu keisti praėjus maždaug 20 darbo valandų. Po to variklio tepalą reikia keisti kas 150 valandų prieš tai pašildžius variklį.

- Naudoti tik variklio tepalą (15W40).
- Generatorių pastatyti ant tinkamo lygaus pagrindo.
- Atsukti tepalo įpylimo varžtą (5 pav., C padėtis).
- Atsukti tepalo išleidimo varžtą (5 pav., D padėtis) ir šiltą variklio tepalą per apačioje esantį išbėgimo kanalą išleisti į surinkimo indą.
- Išleidus seną tepalą, tepalo išleidimo varžtą užsukti ir išleidimo kanalą išvalyti šluoste.
- Variklio tepalo įpilti iki tepalo matuoklio (7 pav.) viršutinės žymos.

Dėmesio! Tikrindami tepalo lygį, tepalo matuoklio neprisukite, bet tik įkiškite iki sriegio.

Seną tepalą reikia tinkamai utilizuoti.

8.2. Oro filtro valymas (žr. 8-13 pav.)

- Oro filtrą reikia tikrinti prieš kiekvieną panaudojimą, jei būtina, jį išvalyti ar pakeisti.
- Elementų nevalyti aštriais valikliais ar benzinu. Valyti išimtus ir padėtus ant plokščio paviršiaus elementus.

8.3. Dyzelio filtro valymas (6 pav.)

Dyzelio filtrą (6 pav., G padėtis) reikia valyti tada, kai per langelį (6 pav., H padėtis) matoma nešvarumų. Valant dyzelio filtrą, reikės piltuvo, sujungto su dyzeliui (benzinui) atsparia kuro žarna, benzinui (dyzeliui) atsparių pirštinių ir tuščio kuro bako (**DĖMESIO:** nekontroliuojamai draudžiama maišyti benziną ir dyzelinį kurą!).

- Užsukite kuro čiaupą (6 pav., E padėtis).
- Atsukite veržlę (6 pav., F padėtis).
- Piltuvo kuro žarną įkiškite į dyzelio baką ir piltuvą laikykite žemiau langelio (6 pav., H padėtis).
- Visai atsukite veržlę (6 pav., F padėtis) ir likusį švarų dyzelio kiekį išpilkite į piltuvą.
- Likusį nešvaraus dyzelio kiekį surinkite valymo popieriumi. Nuvalykite langelį.
- Dyzelio filtrą iš jo laikiklio ištraukti iš apačios, ant dyzelio filtro esančius nešvarumų likučius nuvalykite valymo popieriumi, jei reikia, nuvalyti su trupučiu dyzelinio kuro arba, jei dyzelio filtras sugadintas, jį pakeisti. Valymo popierių utilizuokite.
- Sumontuojama atvirkštine tvarka.

8.4. Kuro bako ištuštinimas

- Norėdami baką ištuštinti, pirmiausia atlikite visus veiksmus, kurie atliekami valant dyzelio filtrą.
- Nuėmę dyzelio filtrą, piltuvą nustatykite po dyzelio filtro laikikliu (6 pav., I padėtis) ir atsukite kuro kraną (6 pav., E padėtis).
- Iš bako per piltuvą į dyzelio baką leiskite dyzelinį kurą. (**DĖMESIO:** dyzelio bakas turi būti pakankamo dydžio, kad jį tilptų bako likęs kiekis!).
- Jei reikia, užsukus kuro čiaupą kuro išleidimą iš bako galima sustabdyti.
- Ištuštinę baką, surinkite taip, kaip nurodyta 8.3 punkte.

9. Eksploatavimas žiemą

Kadangi generatorių varo dyzelinis variklis, dirbant žiemos metu reikia imtis specialių priemonių. Dyzeliniu generatoriumi dirbant, kai aplinkos temperatūra yra nuo -3 °C iki -10 °C, reikia naudoti „žeminių dyzelį“. Dyzelinis kuras „žeminiu dyzeliu“ dažniausiai pakeičiamas kiekvienoje šalyje skirtingai spalio mėn. pabaigoje. Degalinėje pasiteiraukite, kada reikia keisti į „žeminių dyzelį“.

- Jei dyzeliniu generatoriumi dirbate reguliariai, tada nereikia imtis jokių priemonių, nes pakeitimas į „žeminių dyzelį“ įvyksta automatiškai.

LT

- Jei rudenį generatoriaus nenaudojate ilgesnį laiką, bet žiemą vėl norite juo pasinaudoti, rekomenduotina kuro baką laikyti beveik tuščią arba, kaip aprašyta 8.4 punkte, visai jį ištuštinti.
- Kada reikia keisti į „žieminį dyzelį“, teiraukitės degalinėje, ir prieš pradėdami generatoriui veikti nuo -3 °C iki -10 °C temperatūroje, baką pripildykite „žieminiu dyzeliu“.
- Tačiau kad kartais dyzelinį kurą „sumaišytumėte“, dyzelinį generatorių turite apie 12 valandų palikti patalpoje, kurioje būtų apie + 10 °C temperatūra.
- Jei bakas pusiau ar visiškai pripildytas normaliu dyzeliniu kuru, tada jį reikia, kaip nurodyta 8.4 punkte, išleisti.
- Tada baką reikia pripildyti „žieminiu dyzeliu“. Jei bakas pusiau tuščias ar nepripiltas iki pusės, pakanka pripilti „žieminio dyzelio“.

10. Atsarginių dalių užsakymas:

Užsakant atsargines dalis, būtina nurodyti tokias duomenis;

- Prietaiso tipą
 - Prietaiso artikulo numerį
 - Prietaiso tapatybės numerį
 - Reikiamos dalies atsarginės dalies numerį.
- Dabartines kainas ir naujausią informaciją rasite tinklalapyje www.isc-gmbh.info

11. Utilizavimas ir antrinis panaudojimas

Prietaisas yra įpakotas, kad nebūtų sugadintas pervežant. Ši pakuotė - tai žaliavinė medžiaga, tinkama antriniam panaudojimui arba perdirbimui. Prietaisas ir jo priedai yra iš įvairių medžiagų, pavyzdžiui: metalo ir plastiko. Defektines konstrukcines dalis utilizuokite kaip specialias atliekas. Teiraukitės specialioje parduotuvėje ar komunaliniame ūkyje!

12. Gedimų paieškos planas

Gedimas	Priežastis	Priemonė
Variklis neužsiveda	<p>Suveikia tepalo lygio kontrolės automatika (raudonas šviesos diodas (2 pav., 8 padėtis))</p> <p>Nėra dyzelinio kuro</p> <p>Mechaninis pertraukiklis (5 pav., A padėtis) atfiksuotas</p> <p>Užsikimšęs dyzelio filtras</p> <p>Užsikimšęs oro filtras</p> <p>Dėl žemos aplinkos temperatūros „sumaišytas“ dyzelinis kuras</p>	<p>Patikrinti tepalo lygi, papildyti variklio tepalą</p> <p>Įpilti dyzelinio kuro</p> <p>Mechaninį pertraukiklį stumti į dešinę</p> <p>Dyzelio filtrą išvalyti ar pakeisti</p> <p>Oro filtrą išvalyti ar pakeisti</p> <p>Elgtis taip, kaip aprašyta punkte „Eksploatavimas žiemą“</p>
Per maža generatoriaus įtampa arba jos visa nėra	<p>Sugedęs reguliatorius arba kondensatorius</p> <p>Suveikė maksimalios srovės apsaugos jungiklis</p> <p>Nudilę generatoriaus anglies šepečiai</p>	<p>Kreiptis į įgaliotą klientų aptarnavimo skyrių</p> <p>Paspausti jungiklį ir sumažinti naudotojų</p> <p>Filtrą išvalyti ar pakeisti</p>



Konformitätserklärung

ISC-GmbH · Eschenstraße 6 · D-94405 Landau/Isar

D erklärt folgende Konformität gemäß EU-Richtlinie und Normen für Artikel
GB declares conformity with the EU Directive and standards marked below for the article
F déclare la conformité suivante selon la directive CE et les normes concernant l'article
NL verklaart de volgende conformiteit in overeenstemming met de EU-richtlijn en normen voor het artikel
E declara la siguiente conformidad a tenor de la directiva y normas de la UE para el artículo
P declara a seguinte conformidade de acordo com a directiva CE e normas para o artigo
S förklarar följande överensstämmelse enl. EU-direktiv och standarder för artikeln
FIN ilmoittaa seuraavaa Euroopan unionin direktiivien ja normien mukaista yhdenmukaisuutta tuotteelle
N erklærer herved følgende samsvar med EU-direktiv og standarder for artikkel
HR заявляє о соответствии товара следующим директивам и нормам EC
HR izjavljuje sljedeću uskladenost s odredbama i normama EU za artikl.
RO declară următoarea conformitate cu linia directoare CE și normele valabile pentru articolul.
TR ürün ile ilgili olarak AB Yönetmelikleri ve Normları gereğince aşağıdaki uygunluk açikla masını sunar.
GR δηλώνει την ακόλουθη συμφώνία σύμφωνα με την Οδηγία ΕΕ και τα πρότυπα για το προϊόν

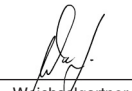
I dichiara la seguente conformità secondo la direttiva UE e le norme per l'articolo
DK attesterer følgende overensstemmelse i henhold til EU-direktiv og standarder for produkt
CZ prohlašuje následující shodu podle směrnice EU a norem pro výrobek.
H a következő konformitást jelenti ki a termékerekre vonatkozó EU-irányvonalak és normák szerint
SK pojednává sledečo skladnost po smernici EU in normah za artikel.
PL deklaruje zgodność wymienionego poniżej artykułu z następującymi normami na podstawie dyrektywy WE.
SK vydáva nasledujúce prehlásenie o zhode podľa smernice EÚ a noriem pre výrobok.
BG декларира следното съответствие съгласно директивите и нормите на ЕС за продукта.
UA заявляє про відповідність згідно з Директивою ЄС та стандартами, чинними для даного товару
ES deklareerib vastavuse järgnevalele EL direktiivi dele ja normidele
LT deklaruoja atitiktį pagal ES direktyvas ir normas straipsniui
RS izjavljuje sledeći konformitet u skladu s odredbom EZ i normama za artikl
LV Atbilstības sertifikāts apliecina zemāk minēto preču atbilstību ES direktīvām un standartiem
IS Samræmisýfirlýsing staðfestir eftirfarandi samræmi samkvæmt reglum Evrópubandalagsins og stöðlum fyrir vörur

Diesel-Stromerzeuger Superior 5000 DD

<input checked="" type="checkbox"/> 98/37/EC	<input type="checkbox"/> 87/404/EEC
<input checked="" type="checkbox"/> 2006/95/EC	<input type="checkbox"/> R&TTED 1999/5/EC
<input type="checkbox"/> 97/23/EC	<input checked="" type="checkbox"/> 2000/14/EC_2005/88/EC: $L_{WM} = 94,27 \text{ dB}$; $L_{WA} = 96 \text{ dB}$ $P = 7,36 \text{ kW}$;
<input checked="" type="checkbox"/> 2004/108/EC	<input type="checkbox"/> 95/54/EC:
<input type="checkbox"/> 90/396/EEC	<input type="checkbox"/> 97/68/EC:
<input type="checkbox"/> 89/686/EEC	

EN 12601; EN 55014-1; EN 55012; EN 61000-6-1;
TÜV Süd Industrie Service GmbH; KBV VI

Landau/Isar, den 21.02.2008


Weichselgartner
General-Manager


Yu Feng Qing
Product-Management

Art.-Nr.: 41.523.55 I.-Nr.: 01018
Subject to change without notice

Archivierung: 4152350-19-4155050

GB

The reprinting or reproduction by any other means, in whole or in part, of documentation and papers accompanying products is permitted only with the express consent of ISC GmbH.

DK/N

Eftertryk eller anden form for mangfoldiggørelse af skriftligt materiale, ledsagepapirer indbefattet, som omhandler produkter, er kun tilladt efter udtrykkelig tilladelse fra ISC GmbH.

S

Eftertryck eller annan duplicering av dokumentation och medföljande underlag för produkter, även utdrag, är endast tillåtet med uttryckligt tillstånd från ISC GmbH.

FIN

Tuotteiden dokumentaatioiden ja muiden mukaanliitettyjen asiakirjojen vain osittainenkin kopiointi tai muunlainen monistaminen on sallittu ainoastaan ISC GmbH:n nimenomaisella luvalla.

EE

Tootedokumentatsiooni ja kaasasolevate dokumentide kordustrükk või muul viisil paljundamine, ka osaliselt, on lubatud ainult ISC GmbH loal.

LV

Ražojuma dokumentācijas un pavaddokumentu pārdrukāšana vai citāda izplatīšana, arī fragmentāri ir atļauta tikai ar skaidru ISC GmbH piekrišanu.

LT

Perspaušdinimas ar bet koks visų gaminių dokumentų visas ar dalinis dauginimas leidžiamas tik gavus aiškų ISC GmbH leidimą.

- GB Technical changes subject to change
- DK/N Der tages forbehold for tekniske ændringer
- S Förbehåll för tekniska förändringar
- FIN Oikeus teknisiin muutoksiin pidätetään
- EE Tehniliste muudatuste õigus reserveeritud
- LV Paturētas tiesības veikt tehniskas izmaiņas
- LT Teisę atlikti techninius pakeitimus pasilieka sau.



Ⓞ For EU countries only

Never place any electric tools in your household refuse.

To comply with European Directive 2002/96/EC concerning old electric and electronic equipment and its implementation in national laws, old electric tools have to be separated from other waste and disposed of in an environment-friendly fashion, e.g. by taking to a recycling depot.

Recycling alternative to the demand to return electrical devices:

As an alternative to returning the electrical device, the owner is obliged to cooperate in ensuring that the device is properly recycled if ownership is relinquished. This can also be done by handing over the used device to a returns center, which will dispose of it in accordance with national commercial and industrial waste management legislation. This does not apply to the accessories and auxiliary equipment without any electrical components which are included with the used device.

Ⓞ Gælder kun EU-lande

Ⓝ Smid ikke el-værktøj ud som almindeligt husholdningsaffald.

I henhold til EF-direktiv 2002/96 om elektroaffald og dets omsættelse til national lovgivning skal brugt el-værktøj indsamles adskilt og indleveres på genbrugsstation.

Recycling-alternativ til tilbagesendelse af brugt vare:

Ejeren af det elektroniske apparat er forpligtet til – som et alternativ i stedet for tilbagesendelse – at medvirke til, at relevante dele af apparatet genanvendes ifølge miljøforskrifterne i tilfælde af overdragelse af ejerskab til tredjeperson. Det brugte apparat kan også overdrages til et deponeringssted, som vil varetage bortskaffelsen af apparatets dele i overensstemmelse med nationale bestemmelser vedrørende skrotning og genbrug. Ikke omfattet heraf er tilbehørsdele og hjælpemidler, som ikke indeholder elektroniske komponenter.

Ⓞ Endast för EU-länder

Kasta inte elverktyg i hushållssoporna.

Enligt det europeiska direktivet 2002/96/EG om avfall som utgörs av eller innehåller elektriska eller elektroniska produkter och dess tillämpning i den nationella lagstiftningen, måste förbrukade elverktyg källsorteras och lämnas

Återvinnings-alternativ till begäran om återsändning:

Som ett alternativ till återsändning är ägaren av elutrustningen skyldig att bidra till ändamålsenlig avfallshantering för det fall att utrustningen ska skrotas. Efter att den förbrukade utrustningen har lämnats in till en avfallsstation kan den omhändertas i enlighet med gällande nationella lagstiftning om återvinning och avfallshantering. Detta gäller inte för tillbehörsdelar och hjälpmedel utan elektriska komponenter vars syfte har varit att komplettera den förbrukade utrustningen.

☉ Koskee ainoastaan EU-jäsenmaita

Älä heitä sähkötyökaluja kotitalousjätteisiin.

Sähkökäyttöisiä ja elektronisia vanhoja laitteita koskevan Euroopan direktiivin 2002/96/EY mukaan, joka on sisällytetty kansallisiin lakeihin, tulee loppuun käytetyt sähkökäyttöiset työkalut kerätä erikseen ja toimittaa ympäristöystävälliseen kierrätykseen uusiokäyttöä varten.

Kierrätys vaihtoehtona takaisinlähettämislle:

Sähkölaitteen omistajan velvollisuus on takaisinlähettämisen vaihtoehtona avustaa laitteen asianmukaisesti hävittämistä kierrätyksen kautta, kun laite poistetaan käytöstä. Laitteen voi toimittaa myös kierrätyspisteeseen, joka suorittaa laitteen hävittämisen paikallisten kierrätys- ja jätteenpoistomääräysten mukaisesti hyödyntäen käyttökelpoiset raaka-aineet. Tämä ei koske käytöstä poistettaviin laitteisiin kuuluvia lisävarusteita tai apulaitteita, joissa ei ole sähköosia.

☉ Ainult Euroopa Liidu riikidele

Ärge visake elektrilisi tööriistu olmeprügi hulka!

Euroopa Liidu direktiiviga 2002/96/EÜ elektri- ja elektroonikaseadmete jäätmete kohta ja siseriiklikele kohaldamistele tuleb kasutatud elektrilised tööriistad koguda kokku eraldi ja leida neile keskkonnasäästlik taaskasutus.

Taaskasutusalternatiiv tagasisaatmisnõudele:

Elektriseadme omanik on kohustatud omandisuhte lõppemisel alternatiivina tagasisaatmisele kaasa aitama sobivale taaskasutusele. Seega võib vana seadme loovutada ka tagasivõtukohta, mis korraldab selle kõrvaldamise riikliku ringlusmajanduse ja jäätmeseadusandluse tähenduses. Asjasse ei puutu vanade seadmete elektrikomponentideta lisaseadmed ja abivahendid.

☉ Tikai ES valstīm

Neizmetiet elektroierīces sadzīves atkritumos!

Saskaņā ar Eiropas direktīvu 2002/96/EK par nolietotajām elektriskajām un elektroniskajām ierīcēm un tās transponēšanu nacionālajā likumdošanā nolietotās elektroierīces ir jāsavāc atsevišķi un jānodod atkārtotai izmantošanai atbilstoši apkārtējās vides prasībām.

Otrreizējā izmantošana kā alternatīva atpakaļnosūtīšanas prasībai:

Tā vietā, lai nosūtītu atpakaļ nolietoto elektroierīci, tās īpašniekam kā alternatīva ir uzlikts pienākums sadarboties pienācīgas izmantošanas ietvaros īpašuma tiesību nodošanas gadījumā. Nolietoto ierīci šajā gadījumā var nodot arī atpakaļpieņemšanas uzņēmumā, kas veic tās likvidēšanu atbilstoši nacionālajam likumam par cirkulācijas saimniecību un atkritumiem. Tas neattiecas uz nolietotajām ierīcēm pievienoto piederumu detaļām un palīgīdzekļiem bez elektriskajām sastāvdaļām.

☉ Tik ES šalims

Elektros prietaisų neišmeskite kartu su buitinėmis atliekomis!

Remiantis ES elektros ir elektronikos atliekų direktyva 2002/96/EB ir jos perkėlimu į nacionalinę teisinę bazę, panaudotus elektros prietaisus reikia surinkti ir perduoti nekenkiant aplinkai.

Perdirbimas - grąžinimo alternatyva:

Elektros prietaiso savininkas įpareigotas negrąžinti pasirinktą prietaisą, bet tinkamai jį utilizuoti. Tuo tikslu elektros ir elektronikos atliekos gali būti perduotos atliekų tvarkymo užsiimančioms įmonėms, kurios jas utilizuoja remdamiesi nacionaliniu atliekų perdirbimo pramonės ir atliekų tvarkymo įstatymu. Šis reikalavimas netaikomas elektros prietaisuose panaudotiems priedams ir pagalbinėms priemonėms, kurių sudėtyje nėra elektros dalių.

GUARANTEE CERTIFICATE

Dear Customer,

All of our products undergo strict quality checks to ensure that they reach you in perfect condition. In the unlikely event that your device develops a fault, please contact our service department at the address shown on this guarantee card. Of course, if you would prefer to call us then we are also happy to offer our assistance under the service number printed below. Please note the following terms under which guarantee claims can be made:

1. These guarantee terms cover additional guarantee rights and do not affect your statutory warranty rights. We do not charge you for this guarantee.
2. Our guarantee only covers problems caused by material or manufacturing defects, and it is restricted to the rectification of these defects or replacement of the device. Please note that our devices have not been designed for use in commercial, trade or industrial applications. Consequently, the guarantee is invalidated if the equipment is used in commercial, trade or industrial applications or for other equivalent activities. The following are also excluded from our guarantee: compensation for transport damage, damage caused by failure to comply with the installation/assembly instructions or damage caused by unprofessional installation, failure to comply with the operating instructions (e.g. connection to the wrong mains voltage or current type), misuse or inappropriate use (such as overloading of the device or use of non-approved tools or accessories), failure to comply with the maintenance and safety regulations, ingress of foreign bodies into the device (e.g. sand, stones or dust), effects of force or external influences (e.g. damage caused by the device being dropped) and normal wear resulting from proper operation of the device.

The guarantee is rendered null and void if any attempt is made to tamper with the device.

3. The guarantee is valid for a period of 2 years starting from the purchase date of the device. Guarantee claims should be submitted before the end of the guarantee period within two weeks of the defect being noticed. No guarantee claims will be accepted after the end of the guarantee period. The original guarantee period remains applicable to the device even if repairs are carried out or parts are replaced. In such cases, the work performed or parts fitted will not result in an extension of the guarantee period, and no new guarantee will become active for the work performed or parts fitted. This also applies when an on-site service is used.
4. In order to assert your guarantee claim, please send your defective device postage-free to the address shown below. Please enclose either the original or a copy of your sales receipt or another dated proof of purchase. Please keep your sales receipt in a safe place, as it is your proof of purchase. It would help us if you could describe the nature of the problem in as much detail as possible. If the defect is covered by our guarantee then your device will either be repaired immediately and returned to you, or we will send you a new device.

Of course, we are also happy offer a chargeable repair service for any defects which are not covered by the scope of this guarantee or for units which are no longer covered. To take advantage of this service, please send the device to our service address.

DK N GARANTIBEVIS

Kære kunde!

Vore produkter er underlagt streng kvalitetskontrol. Hvis produktet alligevel på et tidspunkt skulle udvise fejl, beklager vi naturligvis dette og beder dig kontakte vores kundeservice på adressen, som står angivet på dette garantibevis. Du kan naturligvis også ringe til os på det nedenfor angivne servicenummer. For indfrielse af garantikrav gælder følgende:

1. Nærværende garanti fastsætter betingelserne for udvidede garantiydelse. Garantibestemmelser fastsat ved lov berøres ikke af nærværende garanti. Vores garantiydelse er gratis.
2. Garantiydelsen omfatter udelukkende mangler, som kan føres tilbage til materiale- eller produktionsfejl, og begrænser sig til afhjælpning af disse resp. levering af erstatningsprodukt. Bemærk, at vore produkter ikke er konstrueret til erhvervsmæssig, håndværksmæssig eller industriel brug. Garantiaftale kan derfor ikke anses for indgået, såfremt produktet anvendes i erhvervsmæssigt, håndværksmæssigt, industrielt eller lignende øjemed. Endvidere dækker garantien ikke erstatningsydelse for transportskader, skader som følge af tilsidesættelse af montagevejledningens anvisninger eller som følge af usagkyndig installation, tilsidesættelse af brugsanvisningen (f.eks. tilslutning til forkert netspænding eller strømtype), misbrug eller usagkyndig anvendelse (f.eks. overbelastning eller brug af værktøj eller tilbehør, som ikke er godkendt), tilsidesættelse af vedligeholdelses- og sikkerhedsforskrifter, indtrængen af fremmedlegemer i apparatet (f.eks. sand, sten eller støv), brug af vold eller eksterne påvirkninger udefra (f.eks. fordi produktet tabes) samt skader, der hidrører fra almindelig slitage.

Garantien mister sin gyldighed, hvis der allerede er blevet foretaget indgreb i apparatet.

3. Garantiperioden udgør 2 år at regne fra købsdatoen. Garantikrav skal gøres gældende inden for to uger, efter at defekten er blevet konstateret. Garantikrav kan ikke gøres gældende efter garantiperiodens udløb. Reparation eller udskiftning af apparatet medfører ikke forlængelse af garantiperioden, heller ikke for eventuelt indbyggede reservedele. Dette gælder også servicearbejder, der foretages på stedet.
4. For at kunne gøre garantikrav gældende skal du sende det defekte produkt portofrit til nedenstående adresse. Original købskvittering eller lignende dateret dokumentation skal vedsendes. Købskvitteringen skal gemmes som dokumentation! Beskriv venligst så nøjagtigt som muligt grunden til din reklamation. Er defekten omfattet af garantien, vil produktet omgående blive repareret og returneret, eller du vil modtage et helt nyt.

Mod betaling udbedrer vi naturligvis også gerne defekter på produktet, som ikke/ikke længere er omfattet af garantien. Du skal blot indsende produktet til vores serviceadresse.

S GARANTIBEVIS

Bästa kund,

Våra produkter genomgår en sträng kvalitetskontroll. Om denna produkt mot förmodan inte fungerar på rätt sätt, beklagar vi detta och ber dig att kontakta vår serviceavdelning under adressen som anges på garantikortet. Vi står även gärna till tjänst på telefon under servicenumret som anges nedan. Följande punkter gäller för att du ska kunna göra anspråk på garantin:

1. I dessa garantivillkor regleras extra garantitjänster. Garantianspråk som regleras enligt lag påverkas inte av denna garanti. Våra garantitjänster är gratis för dig.
2. Garantitjänsterna täcker endast in sådana brister som kan härledas till material- eller fabrikationsfel och är begränsade till arbetsuppgifter som syftar till att åtgärda dessa brister eller byta ut produkten. Tänk på att våra produkter endast får användas till ändamålsenligt syfte och inte har konstruerats för yrkesmässig, hantverksmässig eller industriell användning. Ett garantiavtal sluts därför ej om produkten ska användas inom yrkesmässiga, hantverksmässiga eller industriella verksamheter eller vid liknande aktiviteter. Vår garanti omfattar dessutom inte ersättning för transportskador, skador som kan härledas till missaktade monteringsanvisningar eller ej föreskriven installation, åsidosatt bruksanvisning (t ex anslutning till felaktig nätspänning eller strömart), missbruk eller ej ändamålsenliga användningar (t ex överbelastning av produkten eller användning av ej godkända insatsverktyg eller tillbehör), åsidosatta underhålls- och säkerhetsbestämmelser, främmande partiklar som har trängt in i produkten (t ex sand, sten eller damm), yttre våld eller yttre påverkan (t ex skador om produkten har fallit ned) samt normalt och användningsbundet slitage.

Anspråk på garanti upphör att gälla om ingrepp redan har gjorts i produkten.

3. Garantitiden uppgår till 2 år och gäller från datumet när produkten köptes. Medan garantitiden fortfarande gäller ska anspråk på garanti ställas inom två veckor efter att defekten fastställdes. Det är inte möjligt att ställa anspråk på garanti efter att garantitiden har löpt ut. Garantitiden förlängs inte när produkten repareras eller byts ut, dessutom medför sådana arbeten inte att en ny garantitid börjar gälla för produkten eller för ev. reservdelar som har monterats in. Detta gäller även vid hembesök.
4. För att du ska kunna ställa anspråk på garantin ska den defekta produkten skickas in i tillräckligt frankerat skick till adressen som anges nedan. Bifoga kvittot i original eller ett annat daterat köpebevis. Förvara därför kassakvittot på en säker plats! Beskriv orsaken till reklamationen så noggrant som möjligt. Om defekten i produkten täcks av våra garantitjänster, får du genast en reparerad eller ny apparat av oss.

Givetvis kan vi även, mot debitering, åtgärda skador som antingen inte täcks av garantin eller som har uppstått efter garantitidens slut. Skicka in produkten till nedanstående serviceadress.

 **TAKUUTODISTUS****Arvoisa asiakas,**

tuotteemme läpikäyvät erittäin tiukan laadunvalvontatarkastuksen. Mikäli tämä laite ei kuitenkaan toimi moitteettomasti, valitamme tapahtunutta suuresti ja pyydämme sinua kääntymään teknisen asiakaspalvelumme puoleen käyttäen tässä takuukortissa annettua osoitetta. Voit halutessasi myös ottaa yhteyttä puhelimitse allaolevaan palvelunumeroon. Takuuvaateiden esittämistä koskevat seuraavat säädökset:

1. Nämä takuumääräykset koskevat laajennettuja takuusuorituksia. Ne eivät vaikuta lakimääräisiin takuusuoritusvaateisiin millään tavalla. Takuumme on sinulle maksuton.
2. Takuusuoritus kattaa ainoastaan sellaiset puutteellisuudet, jotka aiheutuvat materiaali- tai valmistusvirheistä, ja se on rajattu ainoastaan näiden puutteellisuuksien korjaamiseen tai laitteen korvaamiseen uudella. Ole hyvä ja ota huomioon, että laitteitamme ei ole suunniteltu ja valmistettu käytettäväksi pienteollisuus-, käsityöläis- tai teollisuustarkoituksiin. Takuusopimusta ei siksi synny, jos laitetta käytetään pienteollisuus-, käsityöläis- tai teollisuustyöpaikoilla tai näihin verrattavissa olevissa toimissa. Takuumme ei myöskään sisällä kuljetusvaurioiden tai sellaisten vaurioiden korvaussuorituksia, jotka ovat aiheutuneet asennusohjeen noudattamatta jättämisestä tai asiantuntemattomasta asennuksesta, käyttöohjeen noudattamatta jättämisestä (esim. liitäntä väärytyypiseen verkkovirtaan), väärinkäytöstä tai virheellisestä käytöstä (esim. laitteen ylikuormittaminen tai hyväksymättömien työkalujen tai lisävarusteiden käyttäminen), huolto- ja turvallisuusmääräysten noudattamatta jättämisestä, vieraiden esineiden (esim. hiekan, kivien tai pölyjen) pääsystä laitteen sisään, väkivaltaisesta käsittelystä tai ulkopuolisista tekijöistä (esim. putoamisesta aiheutuneet vauriot) sekä käytöstä aiheutuvasta tavallisesta kulumisesta.

Takuuvaateet raukeavat, jos laitteelle on jo tehty jotain toimenpiteitä.

3. Takuuajaksi on 2 vuotta ja se alkaa laitteen ostopäivästä. Takuuvaateet tulee esittää ennen takuuajan päättymistä kahden viikon kuluessa siitä, kun olet havainnut vian. Takuuvaateiden esittäminen takuuajan päätyttyä ei ole mahdollista. Laitteen korjaus tai vaihto ei johda takuuajan pitenemiseen tai laitteen tai siihen mahdollisesti asennettujen varaosien takuuajan alkamiseen uudelleen alusta. Tämä koskee myös paikan päällä suoritettuja palveluja.
4. Takuuvaateesi esittämiseksi tulee viallinen laite lähettää postikulut maksettuna allaolevaan osoitteeseen. Ole hyvä ja liitä mukaan alkuperäinen maksukuitti tai muu päiväyksellä varustettu ostotosite. Säilytä tämän vuoksi kassakuitti huolella tositteenä! Ole hyvä ja kuvaa valituksen syy meille mahdollisimman tarkoin. Jos takuumme kattaa laitteessa olevan vian, saat korjatun tai uuden laitteen välittömästi takaisin.

Tietysti korjaamme mielellämme korvausta vastaan myös sellaiset laitteiden viat, jotka eivät kuulu tai eivät enää kuulu takuumme piiriin. Lähetä tätä varten laite tekniseen asiakaspalveluumme allaolevalla osoitteella.

Kauppahuone Harju Oy
Korjaamonkatu 2
FI-33840 TAMPERE
Tel. +358 207 431338, Fax +358 207 431320

GARANTIITUNNISTUS

Lugupeetud klient,

meie tooted läbivad range kvaliteedikontrolli. Kui käesolev seade ei peaks siiski korralikult töötama, vabandame sellepärast väga ja palume Teil pöörduda meie klienditeenindusse selle garantiitunnistuse lõpus toodud aadressil. Oleme meelsasti Teie teenistuses ka telefoni teel alltoodud teeninduse telefoninumbritel. Garantiinõuete esitamisel kehtib järgnev:

1. Täiendavat garantiid reguleerivad need garantiitingimused. See garantii ei puuduta Teie seaduslikke garantiinõudeid. Meie garantii on Teile tasuta.
2. Garantii hõlmab ainult neid puudusi, mis tulenevad materjali- või tootmisvigadest ning piirneb nende puuduste kõrvaldamise või seadme vahetamisega. Võtke palun arvesse, et meie seadmed ei ole konstrueeritud ettevõtluses, käsitööstuses ega tööstuses kasutamise otstarbel. Sellepärast garantiileping ei kehti, kui seadet kasutatakse ettevõtluses, käsitööstuses või tööstuses jt sarnastel tegevusaladel. Meie garantii puhul on hüvitamine välistatud transpordikahjustuse korral, kahjustuste korral, mis tulenevad montaažijuhendi mittejärgimisel või asjatundmatu installatsiooni tagajärjel, kasutusjuhendi mittejärgimisel (nt vale võrgupinge või vooluliigiga ühendamisel), vale või mitteotstarbeka kasutamise korral (nt seadme ülekoormus või mittelubatud tööriistade ja tarvikute kasutamine), hooldus- ja ohutusnõuete mittejärgimisel, võõrkehade (nt liiv, kivid või tolmu) seadmesse tungimisel, jõu kasutamisel või välisjõudude mõju korral (nt kahjustused mahakukkumise tagajärjel) ning kasutamisest tuleneva tavapärase kulumise korral.

Garantiinõue kaotab kehtivuse, kui seadet on juba lahti võetud.

3. Garantii aeg on kaks aastat ning see algab seadme ostmise kuupäevaga. Garantiinõuded tuleb esitada garantiiajal kahe nädala jooksul pärast defekti tuvastamist. Garantiinõuete esitamine pärast garantiiaja kestvuse lõppu on välistatud. Seadme remont või väljavahetamine pikendab garantiiaega või antakse nõude tõttu seadmele ja võimalikele paigaldatud varuosadele uus garantiiaeg. See kehtib ka kliendi juures kohapeal teostatud teeninduse korral.
4. Garantiinõude esitamiseks saatke defektne seade saatekuludeta alltoodud aadressile. Pange kaasa ostutšeki originaal või muu kuupäevaga ostmist tõendav dokument. Sel põhjusel hoidke kassatšekk ostmist tõendava dokumendina alles! Kirjeldage meile võimalikult täpselt reklamatsiooni põhjust. Kui seadme defekt käib meie garantii alla, saate esimesel võimalusel tagasi remonditud või uue seadme.

Enesestmõistetavalt kõrvaldame hea meelelega seadmel ka neid defekte, mis ei käi garantii alla või kui garantiiaeg on läbi, sel juhul tuleb Teil kulud tasuda. Selleks saatke seade meie teeninduse aadressil.

Simson OÜ
Suur Ameriika 37
EE-10122 Tallinn
Tel. +372 6453347, Fax. +372 646033

LV GARANTIJAS TALONS

Augsti cienītā kliente, augsti godātais klient,

mūsu ražojumi ir pakļauti stingrai kvalitātes kontrolei. Ja šī ierīce tomēr kādreiz nedarbojas nevainojami, mēs to ļoti nožēlojam un lūdzam jūs griezties mūsu apkalpošanas dienestā, kura adrese norādīta uz šī garantijas talona. Jūs varat arī zvanīt mums pa norādīto tālruna numuru. Lai iesniegtu garantijas prasības, jāievēro šādi nosacījumi:

1. Šie garantijas noteikumi reglamentē papildu garantijas pakalpojumus. Jūsu likumīgās garantijas prasības šī garantija neskar. Mūsu garantijas pakalpojumi jums ir bez maksas.
 2. Garantijas pakalpojumi izplatās vienīgi uz defektiem, kas ir izskaidrojami ar materiāla vai ražošanas kļūdām un ir ierobežoti ar šo defektu novēršanu vai ierīces apmaiņu. Lūdzu ņemiet vērā, ka mūsu ierīces atbilstoši priekšrakstam nav konstruētas komerciālai, amatnieciskai vai rūpnieciskai izmantošanai. Tādēļ garantijas līgumu nenoslēdz, ja ierīci izmanto komerciālos, amatniecības un rūpniecības uzņēmumos, kā arī tamlīdzīgās darbībās. Bez tam no mūsu garantijas ir izslēgta zaudējumu atlīdzināšana par bojājumiem, kas radušies transportēšanas laikā, bojājumiem, kas radušies saistībā ar montāžas instrukcijas neievērošanu vai tehniski nepareizu montāžu, lietošanas instrukcijas neievērošanu (kā piemēram, pieslēdzot nepareizam tīkla spriegumam vai strāvas veidam), ļaunprātīgu vai nelietpratīgu izmantošanu (kā piemēram, ierīces pārslogošana vai nepieļautu ievietojamu instrumentu vai piederumu izmantošana), apkopes un drošības noteikumu neievērošanu, svešķermeņu iekļūšanu ierīcē (kā piemēram, smilts, akmeņi vai putekļi), spēka pielietošanu vai ārējām iedarbībām (kā piemēram, nokrītot), kā arī izmantošanai atbilstošu, parastu nodilumu.
- Garantijas prasība zaudē spēku, ja ierīcei jau tikušas veiktas kādas iejaukšanās darbības.
3. Garantijas termiņš ir 2 gadi un tas sākas ar ierīces pirkuma datumu. Garantijas prasības ir jāiesniedz pirms garantijas termiņa izbeigšanās divu nedēļu laikā, no brīža, kad esat atklājuši defektu. Garantijas prasību iesniegšana pēc garantijas termiņa izbeigšanās ir izslēgta. Ierīces remonta vai apmaiņas rezultātā garantijas termiņš netiek ne pagarināts, ne arī noteikts jauns garantijas termiņš saistībā ar šo darbību ierīcei vai iespējamām iemontētajām rezerves daļām. Tas pats ir spēkā arī, izmantojot apkalpošanu uz vietas.
 4. Lai iesniegtu garantijas prasību, lūdzu, pārsūtiet bojāto ierīci bez maksas uz apakšā norādīto adresi. Pievienojiet pārdošanas dokumenta oriģinālu vai citu pirkuma pierādījumu ar datumu. Tādēļ, lūdzu, labi uzglabājiet kases čeku kā pierādījumu! Lūdzu, iespējami precīzāk aprakstiet pretenzijas iemeslu. Ja ierīces defekts ir iekļauts mūsu garantijas pakalpojumos, jūs nekavējoties saņemsiet saremontētu vai jaunu ierīci.

Pats par sevi saprotams, ka mēs par maksu labprāt novēršam ierīces defektus, kas nav vispār vai vairs nav iekļauti garantijas apjomā. Šim nolūkam, lūdzu, nosūtiet ierīci uz mūsu apkalpošanas dienesta adresi.

GARANTINIS RAŠTAS

Gerbiamas kliente,

mūsų gaminiams taikoma griežta kokybės kontrolė. Jeigu šis prietaisas kada nors visgi sugestų, labai dėl to apgailėstaujame ir prašome kreiptis į mūsų aptarnavimo servisą šiame garantiniame rašte nurodytu adresu. Mielai į Jūsų klausimus atsakysime ir telefonu skambinant žemiau nurodytu aptarnavimo serviso numeriu. Garantinių reikalavimų pareiškimui galioja tokia tvarka:

1. Šios garantijos sąlygos reguliuoja papildomų garantijų teikimą. Šioje garantijoje apie Jūsų teisėtų garantijų teikimo reikalavimus nekalbama. Mūsų garantijas teikiame Jums nemokamai.
2. Garantija taikoma tik esant trūkumams, kurie yra susiję su medžiagos ar gamybos klaidomis bei apsiriboja tokių trūkumų šalinimu ir prietaiso pakeitimu. Prašome atkreipti dėmesį į tai, kad mūsų prietaisai nėra skirti naudojimui gamybos, amatų ir pramonės srityse. Garantinė sutartis nevykdoma, jei prietaisas naudojamas gamybos, amatų ar pramonės įmonėse bei įmonėse, užsiimančioms panašia veikla. Be to, mes neatsakome už transportavimo metu padarytą žalą, už žalą, atsiradusią dėl montavimo instrukcijos nesilaikymo ar netinkamos instaliacijos, dėl naudojimo instrukcijos nesilaikymo (kaip pvz., prijungimas prie netinkamos tinklo įtampos ar srovės rūšies), dėl netinkamo panaudojimo arba naudojimo ne pagal paskirtį (kaip pvz., prietaiso perkrova arba naudojimas su neleistiniais įrankiais ar priedais), dėl techninės priežiūros ir saugumo nurodymų nesilaikymo, dėl svetimkūnių patekimo į prietaisą (kaip pvz., smėlis, akmenys ar dulkės), dėl naudojimo per prievartą ar dėl išorinių poveikių (kaip pvz., po nukritimo atsiradusi žala) bei už įprastinį, naudojant pagal paskirtį atsiradusį nusidėvėjimą.

Garantiniai reikalavimai nustoja galioti, jeigu prie prietaiso jau buvo atlikti kokie nors darbai.

3. Garantija galioja 2 metus ir jos galiojimo laikas prasideda prietaiso pirkimo dieną. Atsiradus defektams, garantinius reikalavimus reikia pareikšti 2 savaitių bėgyje prieš pasibaigiant garantiniam terminui. Pasibaigus garantiniam terminui garantiniai reikalavimai nebegalioja. Dėl prietaiso remonto ar pakeitimo garantinis terminas nei pratęsiamas nei prietaisui ar kuriai nors sumontuotai jo daliai suteikiamas naujas garantinis terminas. Tas pats galioja ir kai tokie darbai atliekami tiesiogiai pas klientą.
4. Pasinaudojant savo garantiniu reikalavimu sugedusį prietaisą prašome siųsti žemiau nurodyti adresu be pašto mokesčio. Pridėkite pirkimo kvito originalą arba kitą prietaiso pirkimo įrodymą, ant kurio būtų nurodyta data. Todėl kaip pirkimo įrodymą prašome saugokite kasos čekį! Kaip galima tiksliau prašome nurodyti reklamacijos priežastį. Jei prietaiso gedimui taikoma mūsų garantija, iš mūsų nedelsdami gausite sutaisytą arba naują prietaisą.

Savaime suprantama, kad už atlygį mielai šaliname prietaiso gedimus, kuriems mūsų garantija negalioja arba jau pasibaigus galiojimo terminui. Tokiu atveju prietaisą prašome siųsti į mūsų servisą žemiau nurodytu adresu.