

## FBK 120 A

### Double Cold frame – standard fold-up type

Art.-No.: **36.806.60**

Bar code: **4006825506396**

Sales unit: **4 pcs**

The double fold-up cold frame consists of strong and highly transparent 4 mm polycarbonate sheets supported by sturdy aluminium profiles. Because of its pre-assembly it can be set up easily within a few minutes by simply unfolding (via aluminium-articulation profiles) of the walls and the top lid (see arrows). Just as easily it can be stored away until the next season and requiring very little storage space.

Opening and/or airing is achieved due to the special click-system and the foldable top-lid (see arrows).

#### Features:

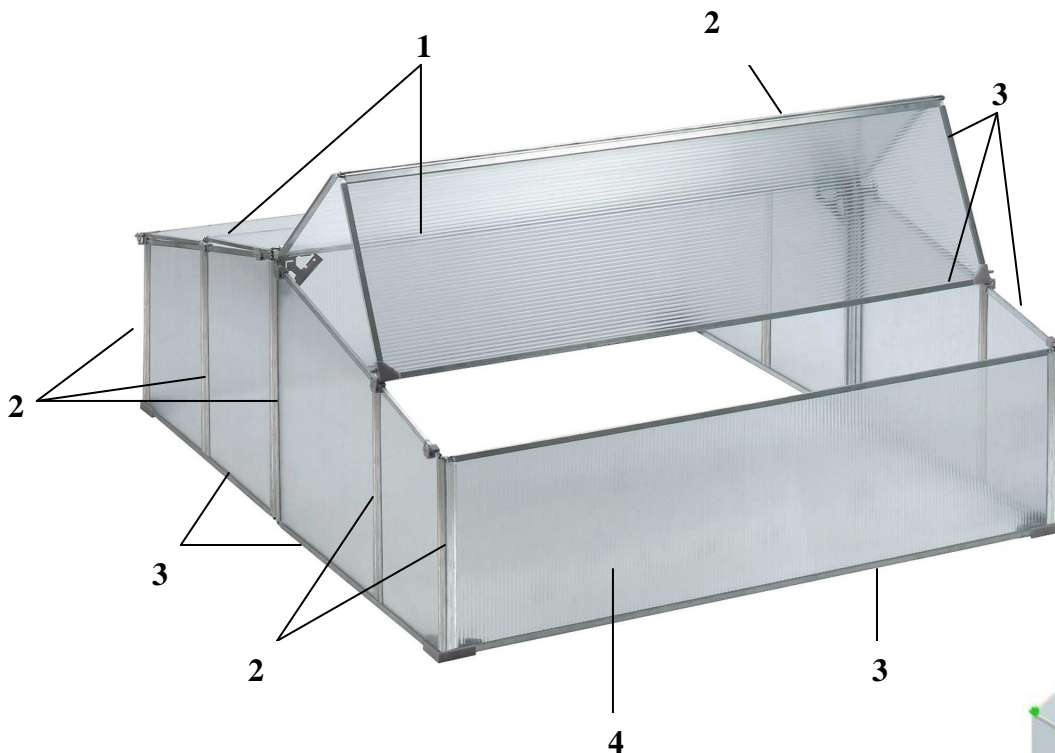
- 2 pcs folding lids – individual opening possible (1)
- aluminium-articulation profiles for cutting the walls and cover (2)
- Sturdy and corrosion-free aluminium profiles (3)
- Impact resistant, weather proof, heat retaining, 4 mm hollow chamber panels (4) of polycarbonate
- Easy assembly by pre-set, unfolding polycarbonate sheets and detailed instruction.
- Complete with ground anchors

#### Technical data:

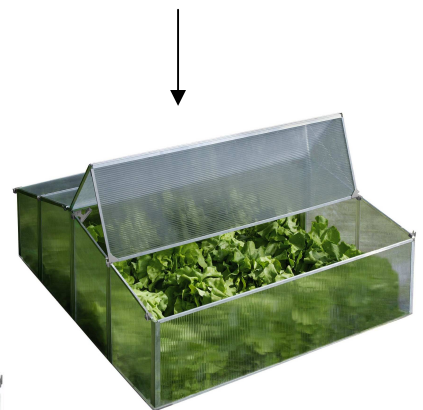
- Planting space approx. 1,1 m<sup>2</sup>
- Dimensions approx. 955 x 1190 x 285 x 420 mm
- Weight: 6,0 kg
- Packing dimensions approx 1005 x 435 x 82 mm

#### Supplied with:

- 4 mm strong polycarbonate wall with assembled aluminium profiles.
- 4 mm polycarbonate lid with pre- assembled aluminium profiles, ground anchor, fixing material



#### Planting example



#### Functional diagram

