



User Manual



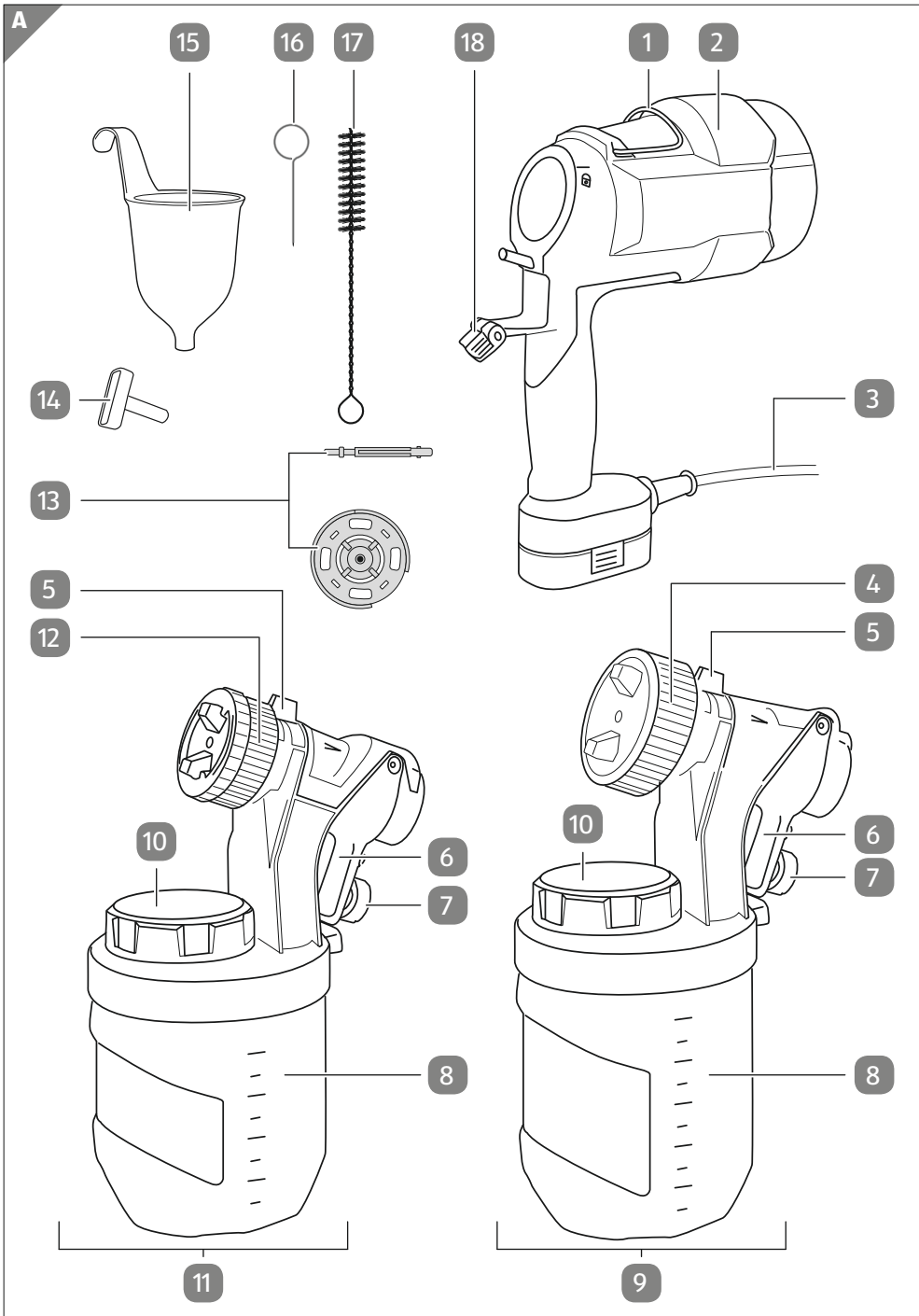
PAINT SPRAY SYSTEM

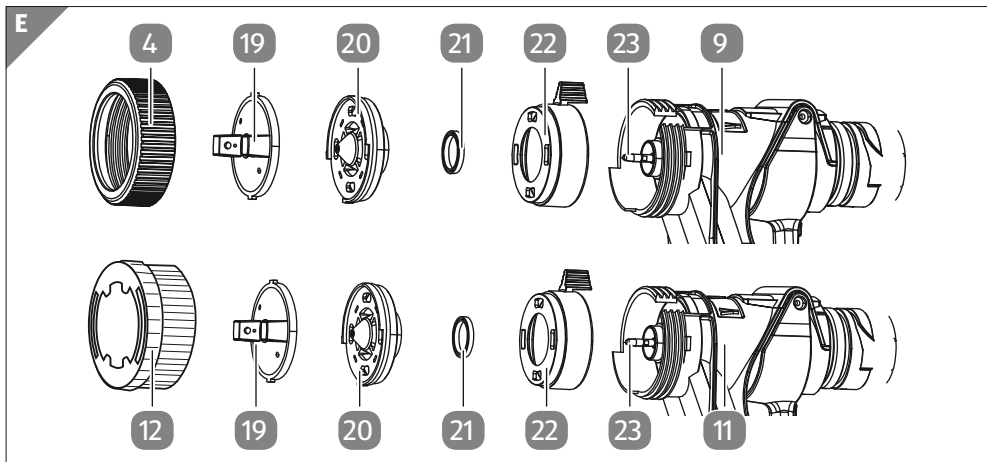
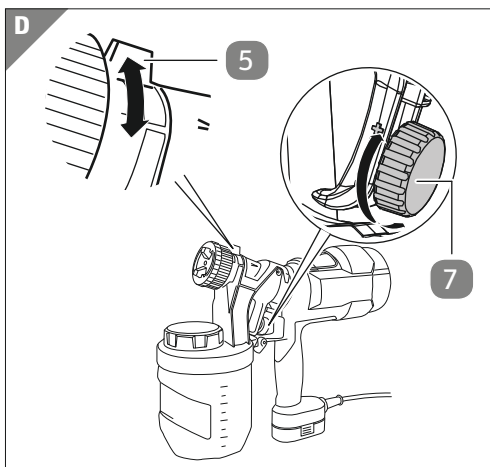
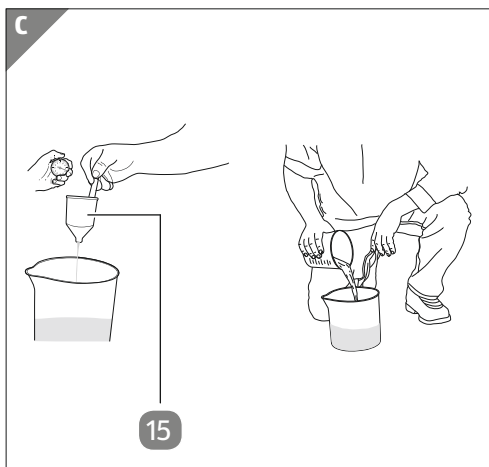
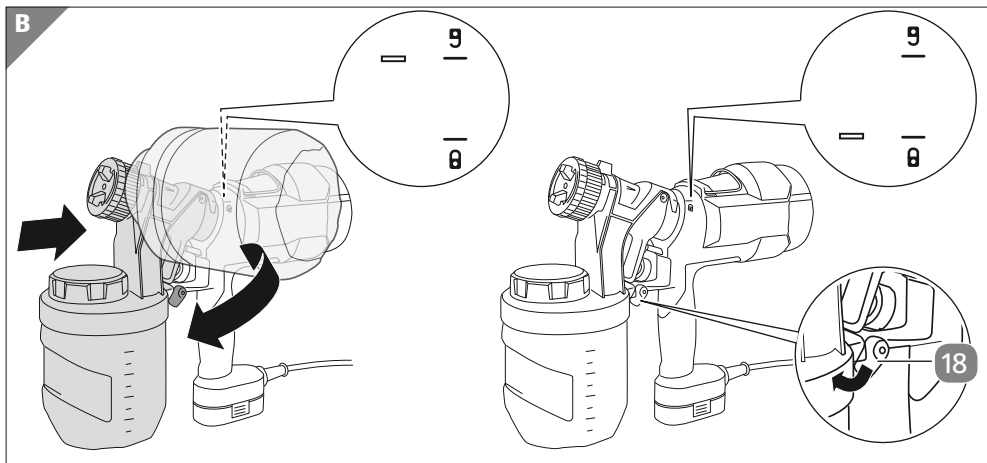


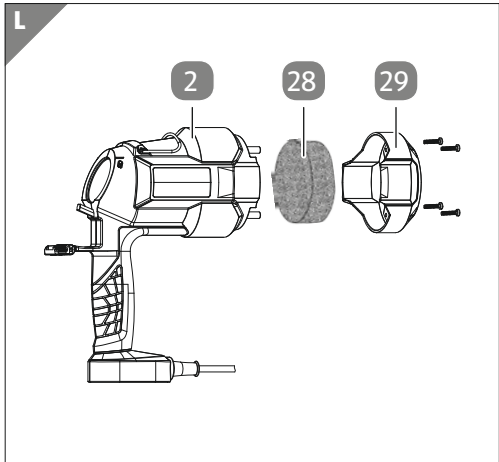
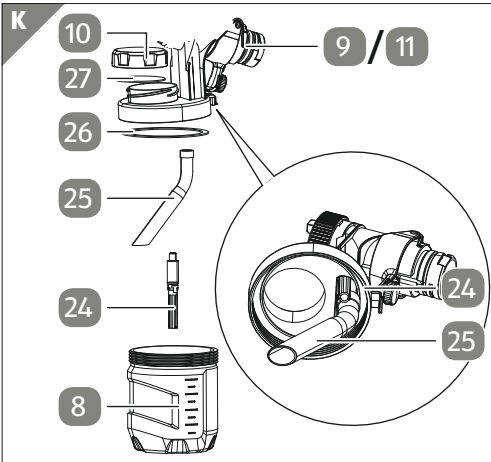
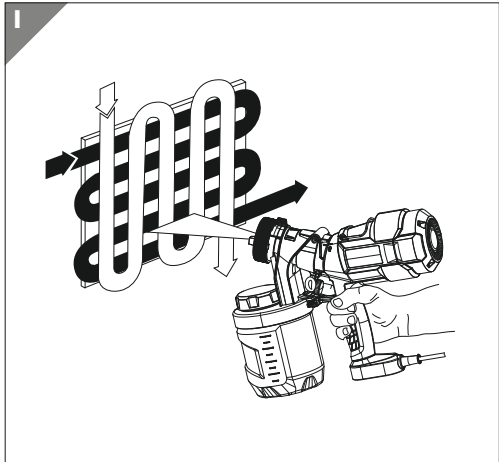
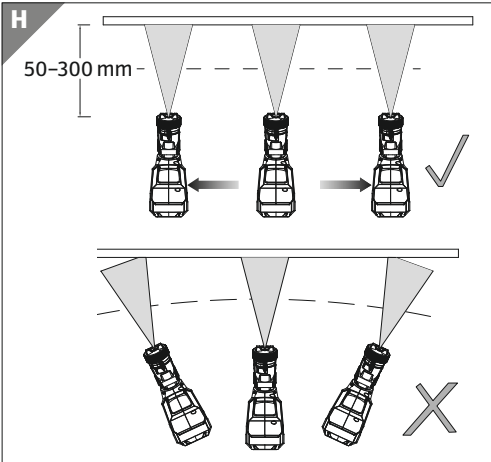
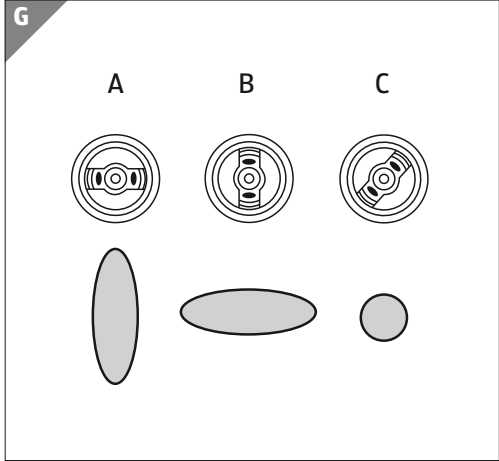
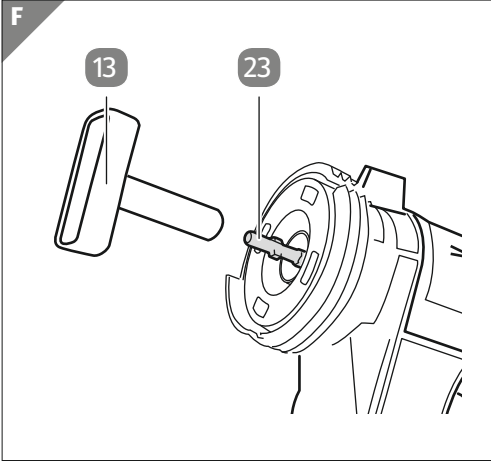
Original instructions

Contents

Overview	3
Use.....	4
Package contents/part list	6
General information.....	7
Reading and storing the user manual	7
Explanation of symbols	7
Safety	8
Proper use.....	8
Residual risks.....	8
General power tool safety instructions.....	9
Special safety instructions for spray guns.....	12
Supplementary safety instructions.....	12
Start-up.....	13
Checking the paint spray system and package contents.....	13
Selecting the material and spray unit.....	14
Adding material	15
Fitting/changing the spray unit.....	16
Operation.....	17
Switching the paint spray system on and off.....	17
Adjusting the spray pattern.....	18
Controlling the flow of material.....	18
Setting the spraying width	19
Replacing the nozzle set.....	19
Application information	20
Maintenance and care.....	21
Cleaning the spray unit.....	21
Cleaning the motor unit.....	23
Changing the air filters	24
Storage	24
Troubleshooting.....	25
Spare parts and accessories	26
Technical data	26
Noise/vibration information	27
Disposal.....	29
Disposing of the packaging	29
Disposing of the paint spray system.....	29
Declaration of conformity.....	30







Package contents/part list

- | | | | |
|----|---|----|--|
| 1 | Suspension device | 16 | Cleaning needle |
| 2 | Motor unit | 17 | Cleaning brush |
| 3 | Connection cable | 18 | Locking handle |
| 4 | Union nut
(spray unit for interior wall paints) | 19 | Air cap (1× per spray unit) |
| 5 | Lever for spraying width setting
(1× per spray unit) | 20 | Nozzle (1× per spray unit) |
| 6 | Trigger (1× per spray unit) | 21 | Nozzle seal (1× per nozzle) |
| 7 | Adjusting screw for material
quantity control (1× per spray unit) | 22 | Rotating cap (1× per spray unit) |
| 8 | Paint container (1× per spray unit) | 23 | Needle (1× per spray unit) |
| 9 | Spray unit for interior wall paints | 24 | Ventilation tube (multiple parts) |
| 10 | Lid (1× per paint container) | 25 | Suction tube |
| 11 | Spray unit for lacquers and glazes | 26 | Lid seal (1× per cover) |
| 12 | Union nut with adjusting ring
(spray unit for lacquers and glazes) | 27 | Container seal
(1× per paint container) |
| 13 | Nozzle set 3.5 mm
(needle and nozzle) | 28 | Air filter (motor unit) |
| 14 | Tool for needle removal | 29 | Filter cover (motor unit) |
| 15 | Container for viscosity testing | | |

General information

Reading and storing the user manual



This user manual is part of the paint spray system. It contains important information on safety, usage and care.

Before using the paint spray system, read the user manual carefully. Pay particular attention to the safety instructions and warnings.

Failure to follow the instructions in this user manual may result in serious injury or damage to the paint spray system or individual parts of it.

You must comply with applicable local or national regulations concerning the use of this product. Keep this user manual in a safe place for future reference. If you pass the paint spray system on to a third party, please ensure that you include this user manual.

Explanation of symbols

The following symbols and signal words are used in this user manual, on the paint spray system and on the packaging.



Indicates a hazardous situation that may result in death or serious injury if not avoided.



Designates a dangerous situation that may result in minor or moderate injury if not avoided.



Warns of possible damage to property.



This symbol provides you with useful supplementary information on assembly or use.



Declaration of conformity (see chapter “Declaration of conformity”): Products marked with this symbol meet all applicable Community regulations for the European Economic Area.



This symbol identifies the paint spray system as a device of protection class II.

Safety

Proper use

The paint spray system is designed only for private users in connection with hobby and DIY projects. The paint spray system is suitable for spraying:

- solvent-based and water-based interior wall paints
- lacquers
- glazes
- wood preservatives
- wood stains or similar substances.

Any other applications are expressly prohibited and are deemed improper use.

Neither the manufacturer nor the retailer can accept any responsibility for injury, loss or damage caused by misuse of this product of any kind. Examples of misuse are given in the following non-exhaustive list:

- Using the paint spray system for purposes other than those intended;
- Failure to observe the safety notes and warnings as well as the assembly, operating, maintenance and cleaning instructions contained in this user manual;
- Failure to comply with any regulations relating to accident prevention, occupational health or safety, which specifically and/or generally apply to the use of the paint spray system;
- Use of accessories and spare parts that are not intended for the paint spray system;
- Modifications to the paint spray system;
- Repair of the paint spray system by anyone other than the manufacturer or a qualified professional;
- Commercial, trade or industrial use of the paint spray system;
- Operation or maintenance of the paint spray system by persons not familiar with using the paint spray system and/or who are not aware of the related risks.

Residual risks

Despite proper use, inconspicuous residual risks cannot be completely ruled out.

The following risks may arise due to the design of the paint spray system:

- Lung injury if a suitable dust mask is not worn;
- Hearing loss if suitable ear protection is not worn;
- Damage to health as a result of hand-arm vibration if the paint spray system is used over a prolonged period or is not operated and maintained properly;
- Skin irritation/allergies if suitable protective clothing is not worn.

General power tool safety instructions

⚠ WARNING Read all the safety notes, instructions, illustrations and technical details supplied with this power tool. Failure to follow the safety notices and instructions may result in an electric shock, fire and/or severe injury.

Save all warnings and instructions for future reference.

The term “power tool” used in the safety instructions refers to mains-operated power tools (corded) and battery-powered power tools (cordless).

Work area safety

- a) **Keep your work area clean and well lit.** *Cluttered or dark areas invite accidents.*
- b) **Do not operate power tools in explosive atmospheres, such as in the presence of flammable liquids, gases or dust.** *Power tools create sparks which may ignite the dust or fumes.*
- c) **Keep children and bystanders away while operating a power tool.** *If you are distracted, you could lose control of the power tool.*

Electrical safety

- a) **Power tool plugs must match the outlet. Never modify the plug in any way. Do not use any adapter plugs with earthed (grounded) power tools.** *Unmodified plugs and matching outlets will reduce risk of electric shock.*
- b) **Avoid body contact with earthed or grounded surfaces, such as pipes, radiators, ranges and refrigerators.** *There is an increased risk of electric shock if your body is earthed or grounded.*
- c) **Do not expose power tools to rain or wet conditions.** *Water entering a power tool will increase the risk of electric shock.*
- d) **Do not use the connection cable for improper purposes such as for carrying the power tool, for hanging it up or for pulling or unplugging it from the socket. Keep connection cable away from heat, oil, sharp edges and moving parts.** *Damaged or entangled connection cables increase the risk of electric shock.*
- e) **When operating a power tool outdoors, use only extension cords that are suitable for outdoor use.** *Use of a cord suitable for outdoor use reduces the risk of electric shock.*

- f) **If operating a power tool in a damp location is unavoidable, use a residual current device (RCD) protected supply.** *Use of an RCD reduces the risk of electric shock.*

Personal safety

- a) **Stay alert, watch what you are doing and use common sense when operating a power tool. Do not use a power tool while you are tired or under the influence of drugs, alcohol or medication.** *A moment of inattention while operating power tools may result in serious personal injury.*
- b) **Use personal protective equipment. Always wear eye protection.** *Protective equipment such as dust mask, non-skid safety shoes, hard hat, or hearing protection used for appropriate conditions will reduce personal injuries.*
- c) **Prevent unintentional starting. Ensure the switch is in the off-position before connecting to power source and/or battery pack, picking up or carrying the tool.** *Carrying power tools with your finger on the switch or connecting the power tool to a power supply while the switch is set to “on” may lead to accidents.*
- d) **Remove any adjusting key or wrench before turning the power tool on.** *A wrench or a key left attached to a rotating part of the power tool may result in personal injury.*
- e) **Do not overreach. Keep proper footing and balance at all times.** *This enables better control of the power tool in unexpected situations.*
- f) **Dress properly. Do not wear loose clothing or jewellery. Keep your hair and clothing away from moving parts.** *Loose clothes, jewellery or long hair can be caught in moving parts.*
- g) **If there is an option for installing dust suction devices and dust containers, these should be attached and used correctly.** *Use of dust collection can reduce dust-related hazards.*
- h) **Do not be lulled into a false sense of security and ignore the safety rules for power tools, even if you are well acquainted with power tools, having used them frequently.** *Using power tools without due care and attention can cause serious injuries in a split second.*

Power tool use and care

- a) **Do not overload the power tool. Use the correct power tool for your application.** *The correct power tool will do the job better and safer at the rate for which it was designed.*
- b) **Do not use the power tool if the switch does not turn it on and off.** *Any power tool that cannot be controlled with the switch is dangerous and must be repaired.*
- c) **Disconnect the plug from the power source and/or remove the rechargeable battery from the power tool before making any adjustments, changing insertion tools or storing the power tool.** *Such preventive safety measures reduce the risk of starting the power tool accidentally.*
- d) **Store idle power tools out of the reach of children. Do not let any individual who is not familiar with the power tool or who has not read these instructions operate this power tool.** *Power tools are dangerous in the hands of untrained users.*
- e) **Maintain power tools and insertion tools with care. Check for misalignment or binding of moving parts, breakage of parts and any other condition that may affect the power tool's operation. If any parts of the power tool are damaged, have them repaired before use.** *Many accidents are caused by poorly maintained power tools.*
- f) **Keep cutting tools sharp and clean.** *Properly maintained cutting tools with sharp cutting edges are less likely to bind and are easier to control.*
- g) **Use the power tool, accessories and fitted tools etc. in accordance with these instructions, taking into account the working conditions and the work to be performed.** *Use of the power tool for operations different from those intended could result in a hazardous situation.*
- h) **Keep handles and handle surfaces dry, clean and free from oil and grease.** *Slippery handles and handle surfaces will prevent you from operating and controlling the power tools safely in unforeseen situations.*

Service

- a) **Have your power tool serviced by a qualified repair person using only identical replacement parts.** *This will ensure that the safety of the power tool is maintained.*

Special safety instructions for spray guns

- Do not use the spray gun for spraying flammable substances.
- Take note of any risks associated with the substance being sprayed and also observe the labels on the corresponding containers or the notes provided by the manufacturer of the substance.
- Do not spray any substances if you are not aware of the risks associated with them.
- Wear suitable protective equipment like a dust mask.
- Do not use flammable solvents to clean the spray gun.

Supplementary safety instructions

- Paint mist and the solvent vapours are harmful to health. Only work in well ventilated rooms or with artificial ventilation. Wear work clothing, protective goggles, ear protection and gloves.
- Never point the spray jet at people or animals; there is a risk of injury.
- Never operate the paint spray system if the nozzle seal is damaged or missing. If the nozzle seal is missing or damaged, liquid could infiltrate the device and increase the risk of electric shock. Check the nozzle seal each time before you use the device.
- Be absolutely sure to tape over sockets and switches. There is a risk of electric shock if the spray material infiltrates them.
- Do not use the paint spray system on industrial premises that fall under the explosion protection ordinance.
- Make sure there is adequate natural or artificial ventilation to rule out any risk of explosion when spraying.
- When spraying, keep away from ignition sources such as open flames, burning cigarettes, sparks, glowing wires and hot surfaces.
- Ensure that no solvent fumes are sucked in by the paint spray system.
- The paint spray system is not a toy. Do not allow children to tamper or play with the paint spray system.
- Keep the packaging material as well as the foils and foil bags away from children. There is a risk of explosion.
- Connect the paint spray system only to a properly installed socket with an earthing contact.

- Connect the paint spray system only if the mains voltage of the socket corresponds to the type plate specification.
- Connect the paint spray system only to an easily accessible socket so that you can quickly disconnect it from the mains supply in case of a fault.
- Never touch the paint spray system or the mains plug with damp hands.
- Lay the connection cable so that it does not pose a tripping hazard.
- Do not kink the connection cable and do not lay it over sharp edges.
- Before working on the paint spray system, pull the mains plug out of the socket.
- Cover all surfaces and objects you do not intend to spray or remove them from the work area. When working with the paint spray gun, please note that e.g. wind can blow paint mist over considerable distances and inflict damage as a result.
- Only use the spray adapter with a functional valve.
- Stop operating the paint spray system if the paint rises into the ventilation hose. Remove the ventilation hose, valve and membrane, clean them and replace the membrane if necessary.
- If the mains connection cable of this paint spray system is damaged, it must be replaced by the manufacturer, its After Sales Support or a similarly qualified person in order to prevent risks.

Start-up

Checking the paint spray system and package contents

NOTICE!

Risk of damage!

If you open the packaging with a sharp knife or other pointed object without due care, you can easily damage the paint spray system.

- Be very careful when opening the package.
 1. Remove the individual parts of the paint spray system from the packaging.
 2. Check that all parts are included (see **Fig. A** and **E**).
 3. Check for damage to the paint spray system or the individual parts. If there are any signs of damage, do not use the paint spray system. Contact the manufacturer at the service address specified on the warranty card.

Selecting the material and spray unit

NOTICE!

Risk of damage!

Materials that are not permitted for use may damage the paint spray system.

- Take note of the list of materials that are permitted and not permitted for use.

Permissible materials	Impermissible materials
<ul style="list-style-type: none"> • Indoor wall paint (dispersions etc.) • Solvent-based and water-based paints • Glazes, primers • 2-component lacquers, clear coats • Vehicle top coats • Stains and wood preservatives 	<ul style="list-style-type: none"> • Lyes, acid-containing coating agents • Flammable coating agents

NOTICE!

Risk of damage!

Improper handling of the paint spray system can cause damage.

- Thin the paint if necessary. Refer to the information from the manufacturer regarding sprayable thinners.
- Perform a trial with the paint spray gun to determine the best level of thinning.
- Refer to the reference values provided in the table if you are unable to find corresponding manufacturer information.
- If the flow rate is too low, gradually add thinner in an amount of 5 – 10 % until you reach the necessary flow rate. Observe the maximum permissible level of thinning according to the information provided by the manufacturer.
- Stir the material thoroughly and thin it in the paint container based on the recommended level of thinning.

Spray material	Recommended level of thinning	Nozzle diameter
Interior wall paint	thin by approx. 5–10 % (max. 100 DIN-sec)	2.5 mm
Glazes, wood preservatives, stains, oils, disinfectants	undiluted (max. 40 DIN-sec)	1.0 mm
solvent-containing or water-dilutable lacquers, priming coats, vehicle top coats, 2-component lacquers, clear coats	thin by approx. 0–10 % (max. 40 DIN-sec)	1.0 mm
All other viscous materials	max. 150 Din-sec	3.5 mm

1. Use the container **15** for viscosity testing to establish whether your paint has the viscosity (“fluidity”) required (see **Fig. C**).
Completely fill the viscosity testing container with the spraying material you intend to use.
2. Allow the spraying material to run out through the opening in the base of the container and measure the time it takes for all of the spraying material to run out.
The time measurement is the viscosity of the spraying material in the unit DIN-sec.
3. If you are unsure about the material for your project, ask an appropriate authority such as a specialist paint shop.

Adding material

1. If necessary, remove the spray unit **9** / **11** from the motor unit **2** as described in the section “Fitting/changing the spray unit”.
2. Open the paint container **8** by unscrewing the lid **10** anticlockwise (see **Fig. A**).
3. Pour the prepared material into the paint container. Use an appropriate funnel to avoid spilling the material if necessary.
4. Screw the lid clockwise onto the paint container to close the paint container.
Ensure that the lid is not screwed on at an angle and that the paint container is completely sealed.

Fitting/changing the spray unit





Risk of injury!


Improper handling of the paint spray system can cause injury.

- Only connect the paint spray system to a socket when it has been completely assembled and filled with paint.

Fitting the spray unit to the motor unit

1. Fold the locking handle **18** on the motor unit **2** as far down as it will go (see **Fig. A**).
2. Place the spray unit required **9** or **11** in the holder of the motor unit in such a way that the line marking on the spray unit points to the line marking next to the  symbol on the motor unit (see **Fig. B**).
3. Turn the motor unit 90° clockwise until it stops.
The line marking on the spray unit must be pointing to the line marking next to the  symbol on the motor unit.
4. Fold the locking handle back up so that it engages audibly in the hooks on the spray unit.

Removing the spray unit from the motor unit

1. Fold the locking handle **18** on the motor unit **2** as far down as it will go (see **Fig. A**).
2. Rotate the motor unit 90° anticlockwise so that the line marking on the spray unit points to the line marking next to the  symbol on the motor unit (see **Fig. B**).
3. Remove the spray unit from the motor unit from the front.

Operation



Risk of injury!

Improper handling of the paint spray system can cause injury.

- Ensure that the connection cable does not pose a tripping hazard before you start work.
- Always wear the required protective equipment such as respiratory protection and make sure there is adequate ventilation.

NOTICE!

Risk of damage!

Improper handling of the paint spray system can cause damage.

- Test the settings and the behaviour of the spray material on a test specimen.
- Adjust the setting as described below before you start your work.

Switching the paint spray system on and off

Switching the paint spray system on

1. Connect the paint spray system to the power supply by plugging the mains plug into a suitable socket.
2. Point the paint spray system towards the object you intend to spray.
3. Pull the trigger **6** to start spraying.

Switching the paint spray system off

1. Release the trigger **6** of the paint spray system.
2. Disconnect the paint spray system from the power supply by pulling the mains plug out of the socket.

Adjusting the spray pattern



Risk of injury!

Improper handling of the paint spray system can cause injury.

- Never depress the trigger when adjusting the air cap.
- Before each adjustment, ensure that the paint spray system has been switched off.

You can set three different spray patterns on the paint spray system to suit the application and object (see **Fig. G**):

Position	Property	Application
A	Vertical flat jet	Horizontal surfaces
B	Horizontal flat jet	Vertical surfaces
C	Round jet	Corners, edges, hard-to-reach surfaces

Setting the spray pattern for the spray unit for lacquers and glazes



When turning the adjusting ring, ensure that you do not loosen the union nut or unscrew it from the spray unit. If necessary, re-tighten the union nut after the spray pattern required has been set by turning it clockwise.

- Turn the adjusting ring **12** on the union nut clockwise or anticlockwise to move the air cap **19** to the spray pattern position required (see **Fig. G**).

Setting the spray pattern for the spray unit for interior wall paints

1. Loosen the union nut **4** slightly by turning it anticlockwise.
2. Turn the air cap **19** to the spray pattern position required (see **Fig. G**).
3. Hold the air cap firmly and tighten the union nut by turning it clockwise.

Controlling the flow of material

The flow of material can be controlled as required using the adjusting screw **7** for material flow control on the trigger **6** (see **Fig. D**). A scale is provided on the trigger as a guide.

- Turn the adjusting screw anticlockwise (–) to reduce the quantity of material.
- Turn the adjusting screw clockwise (+) to increase the quantity of material.

Setting the spraying width

The spraying jet can be widened or narrowed by means of the lever **5** for spraying width adjustment (see **Fig. D**).

- Push the spraying width adjustment lever up or towards position Ψ to widen the spraying jet (Ψ position = maximum width).
- Push the spraying width adjustment lever to the Υ position to narrow the spraying jet (Υ position = narrowest spray jet width).

Replacing the nozzle set



A 2.5 mm nozzle set (pre-fitted) and a 3.5 mm nozzle set are supplied in the package contents for the spray unit **9** with a 1200 ml container volume.

The manufacturer recommends using the spray unit **11** with the 1.0 mm nozzle set and 900 ml container volume for thinner spraying materials and the 2.5 mm or 3.5 mm nozzle set for thicker spraying materials.

1. Turn the union nut **4** on the spray unit **9** for interior wall paints anticlockwise (see **Fig. A** and **E**).
2. Remove the air cap **19**, the fitted nozzle **20** with the nozzle seal **21** and the rotating cap **22** from the spray unit towards the front. Note while doing so that the lever **5** for the spraying width setting on the rotating cap must be in position Υ so that the rotating cap can be pulled off the spray unit.
3. Guide the needle removal tool **14** from the front over the fitted needle **23** as far as it will go (see **Fig. F**). Ensure that the hooks on the side of the needle slide into the guide grooves inside the tool.
4. Rotate the tool a quarter turn (90°).
5. Use the tool to pull the needle forward and out of the lock in the spray unit.
6. Rotate the tool another quarter turn (90°) to remove the tool from the needle. Ensure that the hooks on the side of the needle run along the guide grooves inside the tool. It should be possible to remove the tool without feeling any resistance.
7. Place the needle of the nozzle set you wish to use into the holder inside the spray unit. Ensure that the needle is positioned correctly so that the side grooves on the end of the needle engage in the corresponding slots in the holder inside the spray unit. The needle engages audibly in the holder.
If the needle does not engage in the holder and can be pulled out again easily, rotate the needle slightly clockwise or anticlockwise and try to insert the needle again.
8. Attach the rotating cap so that the lever for the spraying width setting on the rotating cap is in position Υ and runs through the corresponding slot in the spray unit.

9. Push the nozzle of the selected nozzle set with the nozzle seal in place onto the spray unit. Ensure in doing so that you align the nozzle in such a way that the edge of the spray unit engages in the corresponding slot in the nozzle edge and the inserted needle sits in the centre of the nozzle opening.
10. Place the air cap on the spray unit so that the two side hooks on the air cap lie in the corresponding slots on the edge of the nozzle.
11. Screw the union nut onto the spray unit in a clockwise direction.

Application information

NOTICE!

Risk of damage!

Improper handling of the paint spray system can cause damage.

- Handle the surface you intend to spray carefully and keep it free of dust. The spray pattern depends on how smooth and clean the surface is before spraying.
- Cover the thread on the paint spray system and any surfaces you do not intend to spray.
- Set the paint spray system down on a level, clean surface only. Thus, you prevent the suction of dust and dirt particles.



Carry out a spraying test on cardboard or a similar surface to familiarise yourself with the paint spray system and determine the best settings for the material.

- Start spraying outside of the spraying area. Avoid interruptions once inside the spraying area.
- **Correct:** Always hold the paint spray system at a uniform distance of approx. 5–15 cm (20–30 cm for interior wall paint) from the object you are spraying (see **Fig. H**).
- **Incorrect:** If you do not maintain a uniform distance, the paint mist will be too intense and the surface quality will not be uniform (see **Fig. H**).
- Move the paint spray gun evenly crosswise or up and down depending on the spray pattern set. Guiding the paint spray system evenly will produce consistent surface quality.
- When using indoor wall paints with intense colour tones, apply at least two coats. Let the first coat of paint dry before you apply the second coat. This will ensure that the coat is opaque.

- For paints that do not cover well or highly absorbent surfaces, spray in “cross-wise” direction (see **Fig. I**).
- Clean the nozzle and the air cap as described in the section “Cleaning the nozzle” if the paint material accumulates and the spray pattern deteriorates.

Maintenance and care

NOTICE!

Risk of short circuit and damage!

Damaged switches, mains plugs and power cables can cause a short-circuit. Improper handling of the paint spray system can cause damage.

- Check the switch, mains plug and power cable regularly for damage.
- Never immerse the motor unit in water.
- Make sure that no water penetrates the housing.
- Before cleaning, pull the mains plug out of the socket.
- Do not use flammable materials for cleaning.

Cleaning the spray unit

NOTICE!

Risk of damage!

Dried spraying material can block the spray unit so that it cannot be used for the next spraying project.

- Clean the spray unit after each use before the spray material dries.

Cleaning the paint container, suction tube and ventilation tube


1. Before cleaning, pull the mains plug out of the socket.
2. If necessary, remove the spray unit **9** / **11** from the motor unit **2** as described in the section “Fitting/changing the spray unit”.
3. Unscrew the paint container **8** from the spray unit (see **Fig. A** and **K**).
4. Empty the rest of the material back into the material canister or dispose of it properly.
5. Pull the suction tube **25** and the ventilation tube **24** down and out of their respective fittings on the spray unit. Ensure that you pull out the ventilation tube completely (in one piece), as it has several parts.

6. Remove heavier dirt and paint residues from the paint container with a cloth.
7. Use the cleaning brush **17** to remove heavier dirt and blockages inside the suction and ventilation tubes and in the corresponding holders on the spray unit.
8. Replace the suction and ventilation tubes in the corresponding holders in the spray unit from below. Ensure that the suction tube is positioned correctly: the hook at the top of the suction tube must run inside the guide groove on the corresponding holder so that the suction tube sits in the correct position.
9. Fill solvent or water in the paint container.
10. Screw the paint container back onto the spray unit from underneath.
11. Refit the spray unit on the motor unit as described in the section "Fitting/changing the spray unit".
12. Plug the mains plug into a properly installed socket.
13. Depress the trigger **6** and spray the solvent or water into a container or cloth.
14. Repeat the process until only clear solvent or water is dispensed.
15. Pull the mains plug out of the socket.
16. Completely empty the paint container.
17. Keep the paint container seal **27** free of material and check it for damage.
18. Clean the outside and inside of the spray unit and the paint container with a cloth soaked in solvent or water.
19. Let all parts dry thoroughly.

Cleaning the nozzle




1. Unscrew the union nut **4** or union nut **12** with adjusting ring from the spray unit **9** / **11** (see **Fig. A** and **E**).
2. Remove the air cap **19**, the nozzle **20** with the nozzle seal **21** and the rotating cap **22** from the spray unit at the front. Note while doing so that the lever **5** for the spraying width setting on the rotating cap must be in position **Y** so that the rotating cap can be pulled off the spray unit.
3. Guide the needle removal tool **14** from the front over the needle **23** as far as it will go. Ensure that the hooks on the side of the needle slide into the guide grooves inside the tool.
4. Rotate the tool a quarter turn (90°).
5. Use the tool to pull the needle forward and out of the lock in the spray unit.
6. Rotate the tool another quarter turn (90°) to remove the tool from the needle. Ensure that the hooks on the side of the needle run along the guide grooves inside the tool. It should be possible to remove the tool without feeling any resistance.
7. Clean the air cap and nozzle with a brush and solvent or water. Use the cleaning needle **16** to clean blocked openings, as necessary.

8. Clean the needle thoroughly with a lint free cloth and solvent or water.
9. Check the nozzle seal for damage.
10. Let all parts dry thoroughly.
11. Insert the needle back into the holder inside the spray unit. Ensure that the needle is positioned correctly so that the side grooves on the end of the needle engage in the corresponding slots in the holder inside the spray unit. The needle engages audibly in the holder.

If the needle does not engage in the holder and can be pulled out again easily, rotate the needle slightly clockwise or anticlockwise and try to insert the needle again.
12. Attach the rotating cap so that the lever for the spraying width setting on the rotating cap is in position  and runs through the corresponding slot in the spray unit.
13. Push the nozzle of the selected nozzle set with the nozzle seal in place onto the spray unit. Ensure in doing so that you align the nozzle in such a way that the edge of the spray unit engages in the corresponding slot in the nozzle edge and the inserted needle sits in the centre of the nozzle opening.
14. Place the air cap on the spray unit so that the two side hooks on the air cap lie in the corresponding slots on the edge of the nozzle.
15. Screw the union nut or union nut with adjusting ring onto the spray unit in a clockwise direction.

When screwing on the union nut with adjusting ring, ensure that the two caps sit in the indentations in the adjusting ring, otherwise it will not be possible to set the spraying pattern with the adjusting ring.

Cleaning the motor unit

1. Before cleaning, pull the mains plug out of the socket.
2. If necessary, remove the spray unit  /  from the motor unit  as described in the section "Fitting/changing the spray unit".
3. Wipe off the outside of the motor unit with a dry cloth, or a damp cloth that has been well wrung out. Ensure that no liquid reaches the inside of the motor unit.

Changing the air filters

NOTICE!

Risk of damage!

Improper handling of the paint spray system can cause damage.

- Never operate the paint spray system without the air filter. Without an air filter, dust and dirt will be suctioned up affecting the spray result.
- Check the air filter for dirt, dust accumulations, etc. at regular intervals.
- Check the air filter especially if you notice a decline in spraying performance or dust accumulates visibly on the vent openings.
- Change the air filter if it is very dirty.



The air filter provides protection against construction dust, etc., and can be cleaned several times before it has to be replaced. Always try to clean the air filter first, to avoid unnecessary replacement.

You can clean the air filter in various ways:

- vacuum away dust using a vacuum cleaner with the filter cover in place.
- or**
- remove the filter cover and take out the air filter as described below. Then knock or blow the dust deposits off the air filter and replace the air filter as described below.

1. Remove the four screws that attach the filter cover by turning them anticlockwise (see **Fig. L**).
2. Remove the filter cover from the back of the motor unit.
3. Remove the air filter and replace it with a corresponding replacement filter.
4. Replace the filter cover on the motor unit.
5. Fix the filter cover to the motor unit with the four screws removed previously.

Storage

1. Clean the paint spray system thoroughly before storing it (see section “Maintenance and care”).
2. Store the paint system in a location that is protected against moisture and out of the reach of children.
3. Use the suspension device **1** to hang up the paint spray system if you wish. You then have the paint spray system readily to hand if you use it regularly.

4. Protect the paint spray system when storing it (e.g. in the original packaging or in a box) if you do not use it regularly or will not be using it over an extended period.

Troubleshooting

Problem	Possible cause	Solution
No material in the nozzle.	<ul style="list-style-type: none"> • Nozzle plugged. • Suction tube plugged. • Adjusting screw for material flow control turned too far to the left (-). • Suction tube loose. • Pressure does not build up in the paint container. 	<ul style="list-style-type: none"> • Clean the nozzle. • Clean the suction tube. • Turn the adjusting screw for material flow control to the right (+). • Insert the suction tube. • Screw the paint container firmly in place.
Material drips out of the nozzle.	<ul style="list-style-type: none"> • Nozzle loose. • Nozzle worn out. • Nozzle seal worn out. • Build-up of material in the air cap and nozzle. 	<ul style="list-style-type: none"> • Tighten the nozzle. • Change the nozzle. • Change the nozzle seal. • Clean the air cap and nozzle.
Spray not fine enough.	<ul style="list-style-type: none"> • Material viscosity too great. • Adjusting screw for material flow control turned too far to the right (+). • Nozzle dirty. • Air filter very dirty. • Not enough pressure built-up in the paint container. 	<ul style="list-style-type: none"> • Thin the material. • Turn the adjusting screw for material flow control to the left (-). • Clean the nozzle. • Clean or change the air filter. • Screw the paint container firmly in place.
Spray jet cuts out.	<ul style="list-style-type: none"> • Material in the paint container almost out. • Air filter very dirty. 	<ul style="list-style-type: none"> • Top up material. • Clean or change the air filter.
Paint runs.	<ul style="list-style-type: none"> • Too much material applied. 	<ul style="list-style-type: none"> • Turn the adjusting screw for material flow control to the left (-).

Problem	Possible cause	Solution
Extensive paint mist (overspray).	<ul style="list-style-type: none"> • Not close enough to the object being sprayed. • Too much material applied. 	<ul style="list-style-type: none"> • Reduce the spraying distance. • Turn the adjusting screw for material flow control to the left (-).
Poor coverage on the wall.	<ul style="list-style-type: none"> • Material too cold. • Highly absorbent substrate or paint has poor coverage. • Too far away. 	<ul style="list-style-type: none"> • Wait until the material has reached room temperature. • Apply a cross coat. • Go closer to the object.

Spare parts and accessories

You can order suitable spare parts and accessories for your paint spray system online: www.einhell.co.uk.

You will find current prices and information here. You should provide the following data when ordering spare parts:

- Model: DS-FSS 500
- Article number (Einhell): 42.600.33
- Identification no: 11018
- Spare part number of the spare part required (can be found at www.einhell.co.uk)

Technical data

Model:	DS-FSS 500
Article number:	97513
Supply voltage:	220–240 V~ / 50 Hz
Nominal output:	500 W
Protection class:	II
Weight:	2 kg
Container volume:	900 / 1200 ml
∅ Nozzles:	1.0 / 2.5 / 3.5 mm
Max. flow rate:	1000 ml/min
Max. viscosity	150 DIN-sec

Noise/vibration information



Health hazard!

Working without ear protection and suitable protective clothing poses a health hazard.

- Wear ear protection and suitable protective clothing when working with the device.

Measured in accordance with EN 60745-1 and EN 50580. The noise at your workplace may exceed 85 dB(A); protective measures are necessary for the user in this case (suitable ear protection).

- Sound pressure level L_{pA} : 84.8 dB(A)
- Sound power level L_{wA} : 95.8 dB(A)
- Uncertainty K: 3.0 dB(A)

The aforementioned values are noise emission values and therefore, do not necessarily represent safe values for the workplace at the same time. The correlation between emission and immission levels cannot reliably provide for a conclusion as to whether additional cautionary measures are necessary or not.

Factors that could affect the respective emission level present at the workplace include the specifications of the work area, the surrounding area, the duration of exposure, other noise sources etc.

You must also observe any divergences in national regulations with respect to the permissible workplace levels. The aforementioned information does, however, allow the user to better assess dangers and risks.

- Vibration level a_h : < 2.5 m/s²
- Uncertainty K: 1.5 m/s²

ATTENTION!

The above vibration emission level (vibration value) has been measured in accordance with a test method standardised in EN 60745-1 and EN 50580 and can be used to compare one power tool with another. It is also suited for preliminary estimation of loading by vibration. The actual vibration emission value can, as described below, differ by type of application:

- The condition of the paint spray system and proper maintenance of it;
- The type of material and use of the paint spray system;

- Use of the right accessories and whether they are in good condition;
- A firm grip of the paint spray system by the operator;
- Proper use of the paint spray system as described in this user manual.

Improper use of the paint spray system can cause vibration-related ailments.

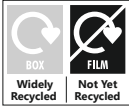
ATTENTION!

Depending on the type of use or conditions of use, the following safety measures must be taken to protect the user:

- Avoid exposure to vibrations as much as possible.
- Only use accessories in perfect working order.
- Wear vibration-proof gloves when using the paint spray system.
- Maintain and service the paint spray system in accordance with this user manual.
- Avoid using the paint spray system at temperatures below 10°C.
- Plan your work steps so as not to use devices that vibrate heavily over several consecutive days.

Disposal

Disposing of the packaging



Dispose of the packaging separated into single type materials. Dispose of cardboard and carton as waste paper and film via the recyclable material collection service.

Disposing of the paint spray system

- Dispose of the paint spray system in accordance with the applicable disposal regulations for your country.



Old devices must not be disposed of with household waste!

This symbol indicates that this product must not be disposed of together with domestic waste in compliance with the Directive (2012/19/EU) pertaining to waste electrical and electronic equipment (WEEE). This product must be handed in at a collection point intended for the purpose. This can occur, for example, by handing it in at an authorised collecting point for the recycling of waste electrical and electronic equipment. Owing to potentially hazardous substances that are frequently contained in waste electronic equipment, incorrect handling of waste equipment may have a negative impact on the environment and on the health of human beings. By disposing of this product correctly, you are also contributing towards an efficient use of natural resources. Information on collecting points for waste equipment can be obtained from your municipal authorities, the public law disposal authorities, an authorised institution for the disposal of waste electrical and electronic equipment or the waste collection services.

Einhell Germany AG · Wiesenweg 22 · D-94405 Landau/Isar



Konformitätserklärung

D erklårt folgende Konformität gemäß EU-Richtlinie und Normen für Artikel
GB explains the following conformity according to EU directives and norms for the following product
F déclare la conformité suivante selon la directive CE et les normes concernant l'article
I dichiara la seguente conformità secondo la direttiva UE e le norme per l'articolo
NL verklaart de volgende overeenstemming conform EU richtlijn en normen voor het product
E declara la siguiente conformidad a tenor de la directiva y normas de la UE para el artículo
P declara a seguinte conformidade, de acordo com as diretiva CE e normas para o artigo
DK attesterer følgende overensstemmelse i medfør af EU-direktiv samt standarder for artikel
S förklarar följande överensstämmelse enl. EU-direktiv och standarder för artikeln
FIN vakuuttaa, että tuote täyttää EU-direktiivin ja standardien vaatimukset
EE tõendab toote vastavust EL direktiivile ja standarditele
CZ vydává následující prohlášení o shodě podle směrnice EU a norem pro výrobek
SLO potrjuje sledečo skladnost s smernico EU in standardi za izdelek
SK vydáva nasledujúce prehlásenie o zhode podľa smernice EÚ a noriem pre výrobok
H a cikkekhez az EU-irányvonal és Normák szerint a következő konformitást jelenti ki

PL deklaruje zgodność wymienionego poniżej artykułu z następującymi normami na podstawie dyrektywy WE.
BG декларира съответното съответствие съгласно Директива на ЕС и норми за артикул
LV paskaidro šādu atbilstību ES direktīvai un standartiem
LT apibūdina šį atitikimą EU reikalavimams ir prekės normoms
RO declară următoarea conformitate conform directivei UE și normelor pentru articolul
GR δηλώνει την ακόλουθη συμμόρφωση σύμφωνα με την Οδηγία ΕΚ και τα πρότυπα για το προϊόν
HR potvrđuje sljedeću usklađenost prema smjernicama EU i normama za artikl
BIH potvrđuje sljedeću usklađenost prema smjernicama EU i normama za artikl
RS potvrđuje sledeću usklađenost prema smernicama EZ i normama za artikl
RUS следующим удостоверением, что следующие продукты соответствуют директивам и нормам ЕС
UKR проголошує про зазначену нижче відповідність виробу директивам та стандартам ЄС на виріб
MK ja izjavуva slednata soobrznost согласно EU-директивата и нормите за артикли
TR Ürünü ile ilgili AB direktifleri ve normları gereğince aşağıda açıklanan uygunluğu belirtir
N erklærer følgende samsvar i henhold til EU-direktivet og standarder for artikkel
IS Lýsir uppfyllingu EU-reglna og annarra staða vöru

Paint spray system DS-FSS 500 (DECO STYLE)

- 2014/29/EU
- 2005/32/EC_2009/125/EC
- 2014/35/EU
- 2006/28/EC
- 2014/30/EU
- 2014/32/EU
- 2014/53/EC
- 2014/68/EU
- 90/396/EC_2009/142/EC
- 89/686/EC_96/58/EC
- 2011/65/EU
- 2006/42/EC
- Annex IV
Notified Body:
Notified Body No.:
Reg. No.:
- 2000/14/EC_2005/88/EC
- Annex V
- Annex VI
Noise: measured L_{WA} = dB (A); guaranteed L_{WA} = dB (A)
P = KW; L/Ø = cm
Notified Body:
- 2012/46/EU
Emission No.:

**Standard references: EN 60745-1: 2009 + A11; EN 50580: 2012 + A1;
 EN 55014-1: 2006 + A1 + A2; EN 55014-2: 2015; EN 61000-3-2: 2014; EN 61000-3-3: 2013**

Landau/Isar, den 19.09.2018


 Weichselgartner/General-Manager


 Liu Zhenlei/Product-Management

First CE: 18
 Art.-No.: 42.600.33 I.-No.: 11018
 Subject to change without notice

Archive-File/Record: NAPR019626
 Documents registrar: Patrick Willnecker
 Wiesenweg 22, D-94405 Landau/Isar



Great care has gone into the manufacture of this product and it should therefore provide you with years of good service when used properly. In the event of product failure within its intended use over the course of the first 3 years after date of purchase, we will remedy the problem as quickly as possible once it has been brought to our attention. In the unlikely event of such an occurrence, or if you require any information about the product, please contact us via our helpline support services, details of which are to be found both in this manual and on the product itself.



PRODUCED IN CHINA FOR:

ALDI STORES LTD. PO BOX 26, ATHERSTONE
WARWICKSHIRE, CV9 2SH.

ALDI STORES (IRELAND) LTD.
PO BOX 726, NAAS, CO. KILDARE.
Visit us at www.aldi.com

AFTER SALES SUPPORT

97513



0044 151 649 1500



0044 1890 946 244



www.einhell.co.uk

MODEL:
DS-FSS 500

03/2019

3
YEAR
WARRANTY