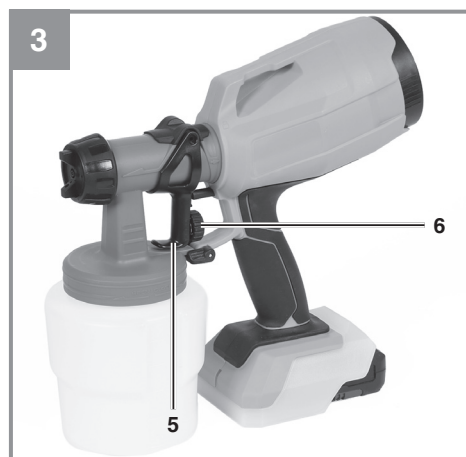
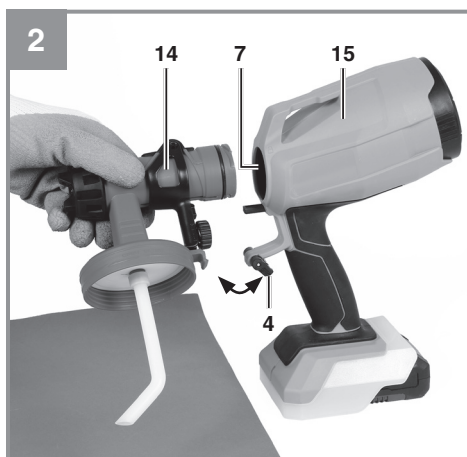
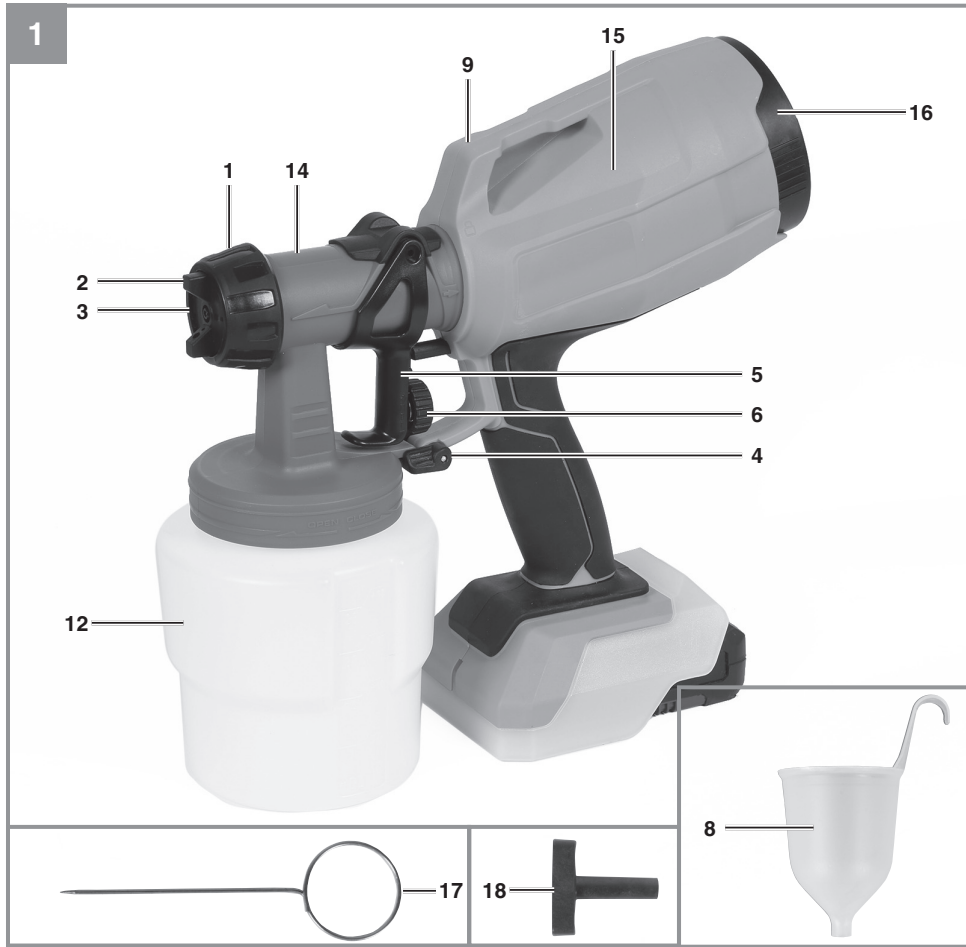


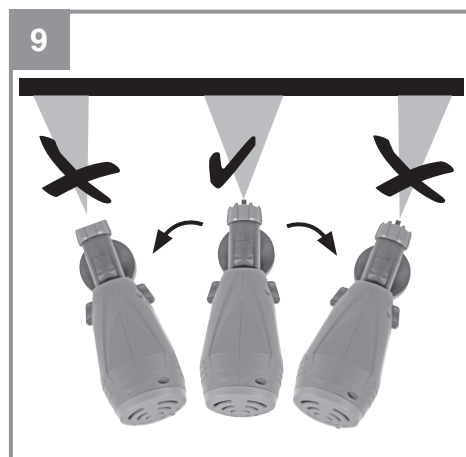
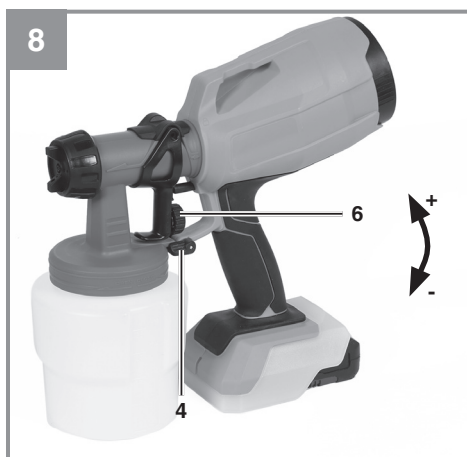
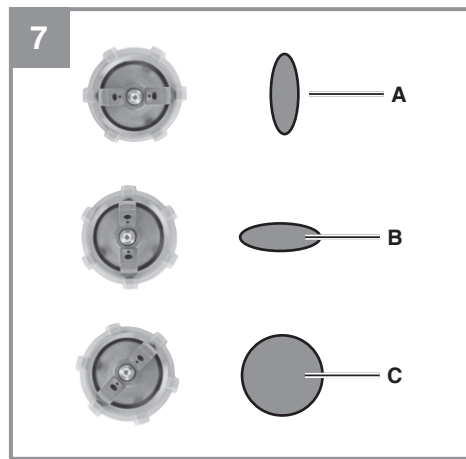
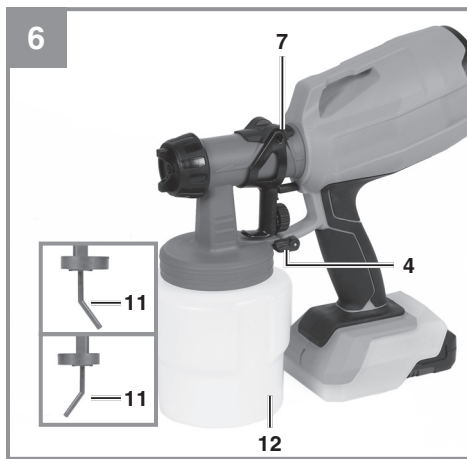
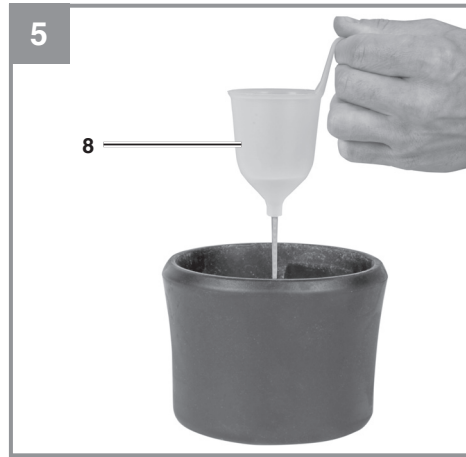
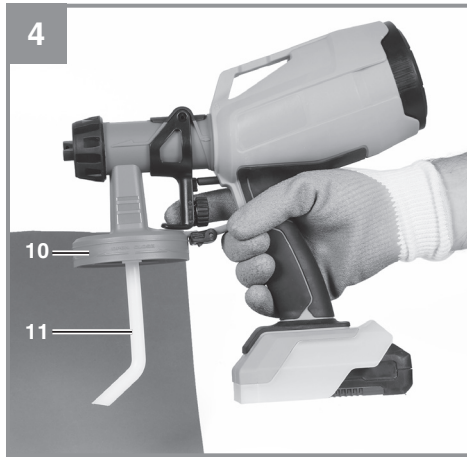
- EN** Operating instructions
Cordless HVLP Handheld Paint
Sprayer
- FR** Mode d'emploi
Pistolet à peindre HVLP sans fil
- SP** Manual de instrucciones
Rociadora de pintura inalámbrica

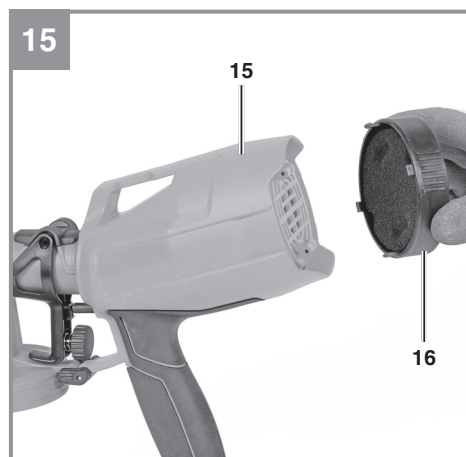
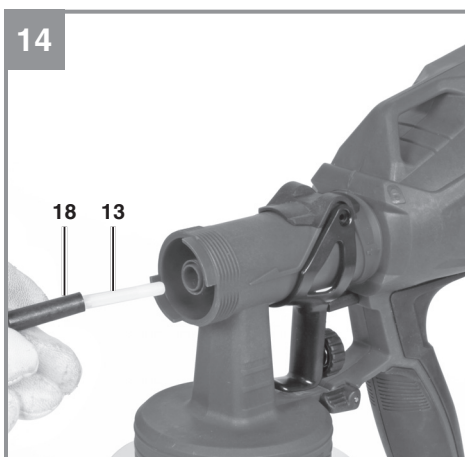
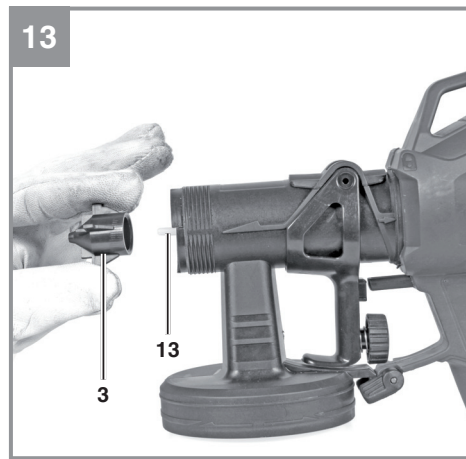
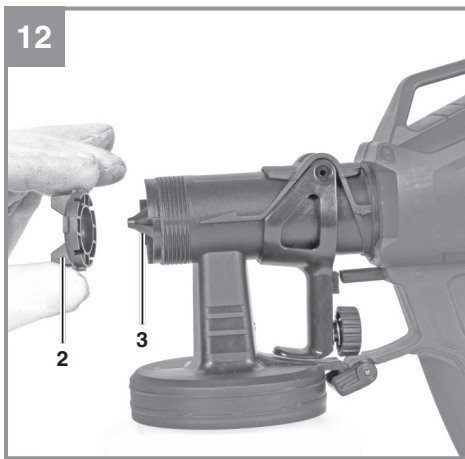
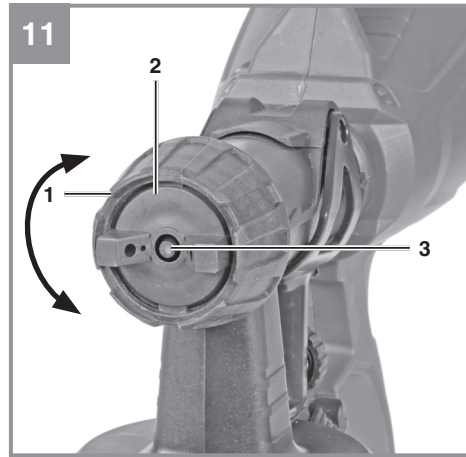
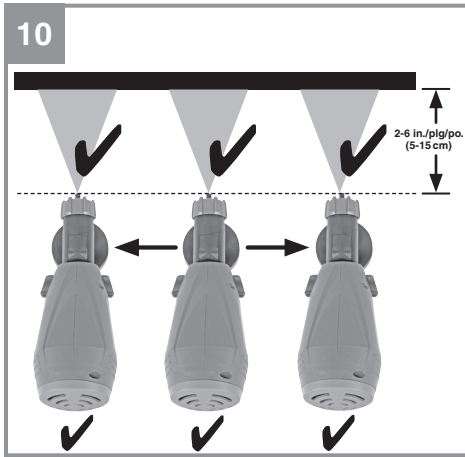


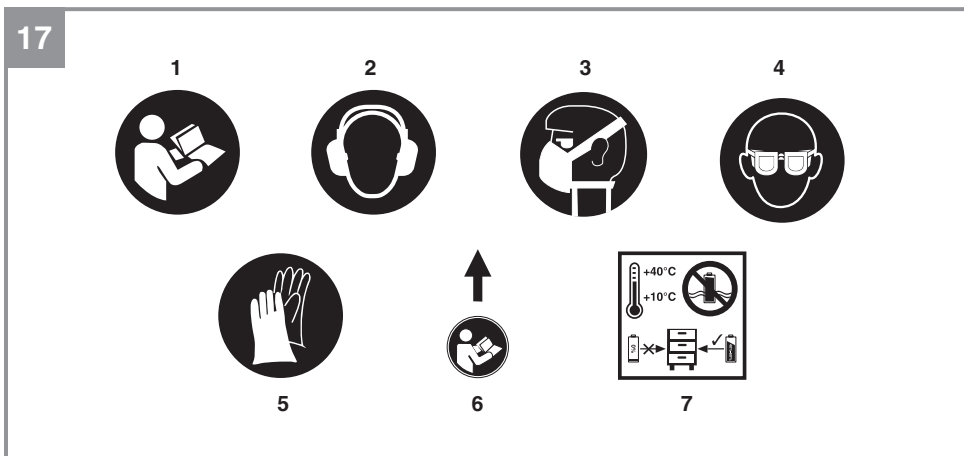
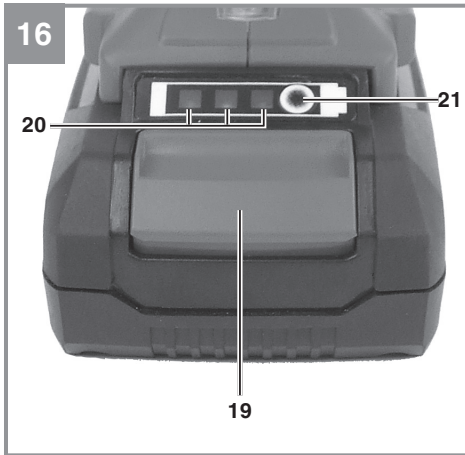
Art.-Nr.: 4260027

I.-Nr.: 21022









DANGER!

When using the equipment, a number of safety precautions must be observed to avoid injuries and damage. Please read the complete operating instructions and safety information with due care. Keep these operating instructions in a safe place so that the information is available at all times. If you give the equipment to any other person, hand over these operating instructions and the safety information as well. We cannot accept any liability for damage or accidents which arise due to failure to follow these instructions and the safety information.

1. Safety information**DANGER!**

Read all the safety information and instructions. Failure to adhere to the safety information and instructions set out below may result in electric shock, fire and/or serious injury. **Keep all the safety information and instructions in a safe place for future use.**

General safety information for power tools

The term "power tool" used in the safety regulations refers to power tools operated from the mains power supply (with a power cable) and to battery operated power tools (without a power cable).

1) Work area safety

- a) **Keep work area clean and well lit.**
Cluttered and dark areas invite accidents.
- b) **Do not operate power tools in explosive atmospheres, such as in the presence of flammable liquids, gases or dust.** *Power tools create sparks which may ignite the dust or fumes.*
- c) **Keep children and bystanders away while operating a power tool.** *Distractions can cause you to lose control.*

2) Electrical safety

- a) **Power tool plugs must match the outlet. Never modify the plug in any way. Do not use any adapter plugs with earthed (grounded) power tools.** *Unmodified plugs and matching outlets will reduce risk of electric shock.*
- b) **Avoid body contact with earthed or grounded surfaces such as pipes, radiators, ranges and refrigerators.** *There*

is an increased risk of electric shock if your body is earthed or grounded.

- c) **Do not expose power tools to rain or wet conditions.** *Water entering a power tool will increase the risk of electric shock.*
 - d) **Do not abuse the cord. Never use the cord for carrying, pulling or unplugging the power tool. Keep cord away from heat, oil, sharp edges or moving parts.** *Damaged or entangled cords increase the risk of electric shock.*
 - e) **When operating a power tool outdoors, use an extension cord suitable for outdoor use.** *Use of a cord suitable for outdoor use reduces the risk of electric shock.*
 - f) **If operating a power tool in a damp location is unavoidable, use a ground fault circuit interruptor (GFCI) protected supply.** *Use of an GFCI reduces the risk of electric shock.*
- 3) Personal safety**
- a) **Stay alert, watch what you are doing and use common sense when operating a power tool. Do not use a power tool while you are tired or under the influence of drugs, alcohol or medication.** *A moment of inattention while operating power tools may result in serious personal injury.*
 - b) **Use personal protective equipment. Always wear eye protection.** *Protective equipment such as dust mask, non-skid safety shoes, hard hat, or hearing protection used for appropriate conditions will reduce personal injuries.*
 - c) **Prevent unintentional starting. Ensure the switch is in the Off-position before connecting to power source and/or BATTERY pack, picking up or carrying the tool.** *Carrying power tools with your finger on the switch or energizing power tools that have the switch on invites accidents.*
 - d) **Remove any adjusting key or wrench before turning the power tool on.** *A wrench or a key left attached to a rotating part of the power tool may result in personal injury.*
 - e) **Do not overreach. Keep proper footing and balance at all times.** *This enables better control of the power tool in unexpected situations.*
 - f) **Dress properly. Do not wear loose clothing or jewellery. Keep your hair, clothing and gloves away from moving parts.** *Loose clothes, jewelry or long hair*

- can be caught in moving parts.
- g) **If devices are provided for the connection of dust extraction and collection facilities, ensure these are connected and properly used.** *Use of these devices can reduce dust related hazards.*
- h) **Do not let familiarity gained from frequent use of tools allow you to become complacent and ignore tool safety principles.** *A careless action can cause severe injury within a fraction of a second.*
- 4) Power tool use and care**
- a) **Do not force the power tool. Use the correct power tool for your application.** *The correct power tool will do the job better and safer at the rate for which it was designed.*
- b) **Do not use the power tool if the switch does not turn it on and off.** *Any power tool that cannot be controlled with the switch is dangerous and must be repaired.*
- c) **Disconnect the plug from the power source and/or remove the battery pack, if detachable, from the power tool before making any adjustments, changing accessories, or storing power tools.** *Such preventive safety measures reduce the risk of starting the power tool accidentally.*
- d) **Store idle power tools out of the reach of children and do not allow persons unfamiliar with the power tool or these instructions to operate the power tool.** *Power tools are dangerous in the hands of untrained users.*
- e) **Maintain power tools and accessories. Check for misalignment or binding of moving parts, breakage of parts and any other condition that may affect the power tool's operation. If damaged, have the power tool repaired before use.** *Many accidents are caused by poorly maintained power tools.*
- f) **Keep cutting tools sharp and clean.** *Properly maintained cutting tools with sharp cutting edges are less likely to bind and are easier to control.*
- g) **Use the power tool, accessories and tool bits etc., in accordance with these instructions and in the manner intended for the particular type of power tool, taking into account the working conditions and the work to be performed.** *Use of the power tool for operations different from intended could result in a hazardous situation.*
- h) **Keep handles and grasping surfaces dry, clean and free from oil and grease.** *Slippery handles and grasping surfaces do not allow for safe handling and control of the tool in unexpected situations.*
- 5) Battery tool use and care**
- a) **Recharge only with the charger specified by the manufacturer.** *A charger that is suitable for one type of battery pack may create a risk of fire when used with another battery pack.*
- b) **Use power tools only with specifically designated battery packs.** *Use of any other battery packs may create a risk of injury and fire.*
- c) **When battery pack is not in use, keep it away from other metal objects, like paper clips, coins, keys, nails, screws or other small metal objects that can make a connection from one terminal to another.** *Shorting the battery terminals together may cause burns or a fire.*
- d) **Under abusive conditions, liquid may be ejected from the battery; avoid contact. If contact accidentally occurs, flush with water. If liquid contacts eyes, additionally seek medical help.** *Liquid ejected from the battery may cause irritation or burns.*
- e) **Do not use a BATTERY pack or tool that is damaged or modified.** *Damaged or modified batteries may exhibit unpredictable behavior resulting in fire, EXPLOSION or risk of injury.*
- f) **Do not expose a BATTERY pack or tool to fire or excessive temperature.** *Exposure to fire or temperature above 266°F (130°C) may cause explosion.*
- g) **Follow all charging instructions and do not charge the BATTERY pack or tool outside the temperature range specified in the instructions.** *Charging improperly or at temperatures outside the specified range may damage the BATTERY and increase the risk of fire.*
- 6) Service**
- a) **Have your power tool serviced by a qualified repair person using only identical replacement parts.** *This will ensure that the safety of the power tool is maintained.*
- b) **Never service damaged BATTERY packs.** *Service of BATTERY packs should only be*

performed by the manufacturer or authorized service providers.

Additional safety instructions

We pay a great deal of attention to the design of every battery pack to ensure that we supply you with batteries which feature maximum power density, durability and safety. The battery cells have a wide range of safety devices. Each individual cell is initially formatted and its electrical characteristic curves are recorded. These data are then used exclusively to be able to assemble the best possible battery packs.

Despite all the safety precautions, caution must always be exercised when handling batteries. The following points must be obeyed at all times to ensure safe use. Safe use can only be guaranteed if undamaged cells are used. Incorrect handling can cause cell damage.

Caution! Analyses confirm that incorrect use and poor care are the main causes of the damage caused by high performance batteries.

Information about the battery

1. The battery pack supplied with your cordless tool is not charged. The battery pack has to be charged before you use the tool for the first time.
2. For optimum battery performance avoid low discharge cycles. Charge the battery pack frequently.
3. Store the battery pack in a cool place, ideally at 59°F (15°C) and charged to at least 40%.
4. Lithium-Ion batteries are subject to a natural ageing process. The battery pack must be replaced at the latest when its capacity falls to just 80% of its capacity when new. Weakened cells in an aged battery pack are no longer capable of meeting the high power requirements and therefore pose a safety risk.
5. Do not throw battery packs into an open fire. There is a risk of explosion!
6. Do not ignite the battery pack or expose it to fire.
7. **Do not exhaustively discharge batteries.** Exhaustive discharge will damage the battery cells. The most common cause of deep discharge is lengthy storage or non-use of partly discharged batteries. Stop working as soon as the performance of the battery falls noticeably or the electronic protection system triggers. Place the battery pack in storage only after it has been fully charged.

8. **Protect batteries and the tool from overloads.** Overloads will quickly result in overheating and cell damage inside the battery housing without this overheating actually being apparent externally.
9. **Avoid damage and shocks.** Replace batteries which have been dropped from a height of more than one meter or which have been exposed to violent shocks without delay, even if the housing of the battery pack appears to be undamaged. The battery cells inside the battery may have suffered serious damage. In this respect, please also read the waste disposal information.
10. If the battery pack suffers overloading and overheating, the integrated protective cut-off will switch off the equipment for safety reasons. Caution! Do not press the ON/OFF switch any more if the protective cut-off has actuated. This may damage the battery.
11. Use only original battery packs. The use of other batteries may result in injuries, explosion and a fire risk.
12. **Protect your rechargeable battery against moisture, rain and high humidity.** Moisture, rain and high humidity can cause dangerous cell damage. Never charge or work with batteries which have been exposed to moisture, rain or high humidity – replace them immediately.
13. If your equipment is fitted with a detachable battery, remove the battery for safety reasons after you have finished your work.

Information on chargers and the charging process

1. Please check the data marked on the rating plate of the battery charger. Be sure to connect the battery charger to a power supply with the voltage marked on the rating plate. Never connect it to a different mains voltage.
2. Protect the battery charger and its cable from damage and sharp edges. Have damaged cables repaired without delay by a qualified electrician.
3. Keep the battery charger, batteries and the cordless tool out of children's reach.
4. Do not use damaged battery chargers.
5. Do not use the supplied battery charger to charge other cordless tools.
6. In heavy use the battery pack will become warm. Allow the battery pack to cool to room temperature before commencing with the charging.
7. **Do not over-charge batteries.** Do not

exceed the maximum charging times. These charging times apply only to discharged batteries. Frequent insertion of a charged or partly charged battery pack will result in over-charging and cell damage. Do not leave batteries in the charger for more than 48 hours.

8. **Never use or charge batteries if you suspect that the last time they were charged was more than 12 months previously.** There is a high probability that the battery pack has already suffered dangerous damage (exhaustive discharge).
9. Charging batteries at a temperature below 50°F (10°C) will cause chemical damage to the cell and may cause a fire.
10. Do not use batteries which have heated during the charging process, as the battery cells may have suffered dangerous damage.
11. Do not use batteries which have suffered curvature or deformation during the charging process or which show other non-typical symptoms (gassing, hissing, cracking,...)
12. Never fully discharge the battery pack (recommended depth of discharge max. 80%) A complete discharge of the battery pack will lead to premature ageing of the battery cells.
13. Never charge the batteries unsupervised.

Protection from environmental influences

1. Wear suitable work clothes. Wear safety goggles.
2. **Protect your cordless tool and the battery charger from moisture and rain.** Moisture and rain can cause dangerous cell damage.
3. Do not use the cordless tool or the battery charger near vapors and inflammable liquids.
4. Use the battery charger and cordless tools only in dry conditions and an ambient temperature of 50°F to 104°F (10°C to 40°C).
5. Do not keep the battery charger in places where the temperature is liable to reach over 104°F (40°C). In particular, do not leave the battery charger in a car that is parked in the sunshine.
6. **Protect batteries from overheating.** Overloads, over-charging and exposure to direct sunlight will result in overheating and cell damage. Never charge or work with batteries which have been overheated – replace them immediately if possible.
7. **Storage of batteries, battery chargers and cordless tools.** Store the charger and your cordless tool only in dry places with an

ambient temperature of 50°F to 104°F (10°C to 40°C). Store the Lithium-Ion rechargeable battery in a cool and dry place at 50°F to 68°F (10°C to 20°C). Protect them from humidity and direct sunlight! Place only fully charged batteries in storage (charged at least 40%).

8. Prevent the Lithium-Ion battery pack from freezing. Battery packs which were stored below 32°F (0°C) for more than 60 minutes must be disposed of.
9. When handling batteries beware of electrostatic charge: Electrostatic discharges cause damage of the electronic protection system and the battery cells. Avoid electrostatic charging and never touch the battery poles.

Battery Caution + Disposal

Disposal

Should your appliance need replacement after extended use, do not dispose of it with the household refuse, but in an environmentally safe way.



Waste produced by electrical machine items should not be handled like normal household rubbish. Please recycle where recycle facilities exist. Check with your local authority or retailer for recycling advice.

Always dispose of your battery pack according to federal, state, provincial and local regulations. Contact a recycling agency in your area for recycling locations.

⚠ CAUTION! Even discharged battery packs contain some energy. Before disposing, use electrical tape to cover the terminals to prevent the battery pack from shorting, which could cause a fire or explosion.

⚠ WARNING! To reduce the risk of injury or explosion, never burn or incinerate a battery pack even if it is damaged, dead, or completely discharged. When burned, toxic fumes and materials are emitted into the surrounding atmosphere.

1. Batteries vary according to device. Consult your manual for specific information.
2. Install only new batteries of the same type in your product (where applicable).
3. Failure to insert batteries in the correct polarity, as indicated in the battery compartment or manual, may shorten the life of the batteries or cause batteries to leak.
4. Do not mix old and new batteries.
5. Do not mix Alkaline, Standard (Carbon-Zinc),

- or Rechargeable (Nickel Cadmium, Nickel Metal Hydride, or Lithium-Ion) batteries.
- 6. Do not dispose of batteries in fire.
- 7. Batteries should be recycled or disposed of as per state, provincial and local guidelines.

When shipping or disposing of batteries and cordless tools, always ensure that they are packed individually in plastic bags to prevent short circuits and fires.

Special safety information

- Always remove the battery before doing any work on the paint spray gun.
- You may only spray materials such as paint, lacquer, varnish, etc. which have a flash point above 131 °F (55°C), without additional heating. (Hazard Class A II or A III, refer to material tin)
- Be aware of the hazards associated with the material you are spraying. Read the hazard information on the tin or the information provided by the manufacturer.
- Follow the manufacturer's safety precautions when working with the material you are spraying.
- Do not spray any materials if you do not know how hazardous they are.
- Use personal protective equipment (face mask) which filters the air to avoid inhalation of spray mist.
- Wear gloves and protective clothing to avoid skin contact with the paint.
- Wear suitable eye protection (goggles).
- The work area must exceed 1060 cu ft (30 m³), and sufficient ventilation must be ensured during spraying and drying.
- Be aware that paint and lacquer can be highly inflammable and potentially explosive. There must be no ignition sources such as fireplaces, open flames, burning cigarettes or machines that generate sparks.
- The paint spray gun may not be used in premises where the explosion protection directive applies.
- When you are spraying, there must be no ignition sources nearby such as open flames, cigarette smoking, sparks, hot glowing wires, hot surfaces, etc.
- The paint spray gun must not be used to spray flammable substances.
- Flammable solvents must not be used to clean the paint spray gun.
- **INJURY RISK!** Never point the paint spray gun at yourself, other people or animals.

- Properly dispose of residual paint and cleaning agents in accordance with local laws and regulations.
- Residual paint must be taken to a suitable collection point. If you are not sure, ask the local council where the nearest collection point is.
- When you are working with the paint spray gun indoors or outdoors, the gun must not suck in any solvent fumes.
- When you are working outdoors, pay attention to the wind direction. The wind can distribute the material over long distances and cause damage.
- Do not allow children to handle the gun.
- Never open the gun to carry out electrical repairs.
- Spraying into the skin can introduce toxins into the body. Call a doctor immediately if the jet causes a skin injury or penetrates the skin.
- Children are not allowed to use this equipment. Children should be supervised so that they do not play with the equipment. Children are not allowed to carry out cleaning or maintenance.
- This equipment must not be used by persons with reduced physical, sensory or mental capacities or those with a lack of experience and knowledge.

SAVE THESE INSTRUCTIONS

Explanation of the symbols used (see Fig. 17)

1. **Danger!** - Read the operating instructions to reduce the risk of injury.
2. **Caution! Wear ear-muffs.** The impact of noise can cause damage to hearing.
3. **Caution! Wear a breathing mask.** Dust which is injurious to health can be generated when working on wood and other materials. Never use the device to work on any materials containing asbestos!
4. **Caution! Wear safety goggles.** Sparks generated during working or splinters, chips and dust emitted by the device can cause loss of sight.
5. **Caution! Wear gloves.**
6. **Note!** Disassemble and clean the equipment immediately after each use. This is the only way to keep the wetted parts clean and prevent clogging. Parts that are not cleaned can become clogged, causing an equipment fault.

2. Layout and items supplied

2.1 Layout

1. Air cap retaining ring
2. Air cap
3. Nozzle
4. Locking lever
5. Trigger
6. Max. paint volume control
7. Pistol mounting
8. Viscosity cup
9. Wall storage hook
10. Material tube connection
11. Material tube
12. Container
13. Fluid needle
14. Trigger unit
15. Drive unit
16. Filter cap with filter
17. Cleaning needle
18. Adapter for fluid needle
19. Pushlock button
20. Battery capacity indicator
21. Battery capacity indicator button

2.2 Items supplied

Please check that the article is complete as specified in the scope of delivery. If parts are missing, please contact our service center or the store where you made your purchase at the latest within 5 work days after purchasing the article and upon presentation of a valid bill of purchase.

- Open the packaging and take out the equipment with care.
- Remove the packaging material and any packaging and/or transportation braces (if present).
- Check to see if all the items are supplied.
- Inspect the equipment and accessories for transport damage.
- If possible, keep the packaging until the end of the guarantee period.

Danger!

The equipment and packaging material are not toys. Do not let children play with plastic bags, plastic sheets and small parts. There is a risk of choking and suffocating!

- Container
- Cleaning brush (not shown)
- Cleaning needle
- Viscosity cup
- Cap

- 2.5 mm nozzle, mounted on the pistol (black)
- Replacement nozzle, 2 mm (red)
- Original operating instruction with safety information

Separately available accessories

- 18V 1.5Ah PXC Lithium-Ion battery
- 18V 2.0Ah PXC Lithium-Ion battery
- 18V 2.5Ah PXC Lithium-Ion battery
- 18V 3.0Ah PXC Lithium-Ion battery
- 18V 4.0Ah PXC Lithium-Ion battery
- 18V 3.0Ah PXC Plus Lithium-Ion battery
- 18V 4.0Ah PXC Plus Lithium-Ion battery
- 18V 5.2Ah PXC Plus Lithium-Ion battery
- 18V 4.0Ah/6.0Ah PXC Plus Lithium-Ion battery
- 18V 5.0Ah/8.0Ah PXC Plus Lithium-Ion battery
- 18V PXC Dual Port Fast Charger
- 18V PXC Fast Charger

Contact your local retailer for more specific models of batteries and charger available in your area. You can also explore battery + charger options at Einhell.com.


3. Intended use

The machine is suitable for spraying solvent-borne and water-borne paint, varnish, primers, transparent lacquer, vehicle basecoats and clearcoats, stains and wood preservatives. It must not be used for alkaline solutions, acidic solutions, particle-containing spraying substances, latex paints, and paints containing spray or drip inhibitors.

The equipment is allowed to be used only for its prescribed purpose. Any other use is deemed to be a case of misuse. The user/operator and not the manufacturer will be liable for any damage or injuries of any kind resulting from such misuse.

Please note that our equipment has not been designed for use in commercial, trade or industrial applications. Our warranty will be voided if the equipment is used in commercial, trade or industrial businesses or for equivalent purposes.

4. Technical data

Motor power supply: 18 V 
 Max flow per minute: 22 fl. oz. (0.65 l/min)
 Nozzle size: 2.0 mm / 2.5 mm
 Max viscosity: 60 DIN-s
 Paint container capacity: 27 fl. oz. (800 ml)
 Weight (Paint sprayer alone): 2.65 lbs (1.2 kg)

Wear ear-muffs.

The impact of noise can cause damage to hearing.

Reduce noise generation and vibration to a minimum!

- Use only equipment that is in perfect condition.
- Maintain and clean the equipment regularly.
- Adapt your way of working to the equipment.
- Do not overload the equipment.
- Have the equipment checked if necessary.
- Switch off the equipment when not in use.

CAUTION!

Residual risks

Even if you use this electric power tool in accordance with the instructions, certain residual risks cannot be eliminated. The following hazards may arise in connection with the equipment's construction and layout:

1. Lung damage if no suitable protective dust mask is used.
2. Damage to hearing if no suitable ear protection is applied.
3. Health damage caused by hand-arm vibrations if the equipment is used over a longer period or is not properly guided and maintained.

5. Before starting the equipment

5.1 Spray gun assembly (Fig. 2/3/4)

- The trigger unit (14) is attached to the drive unit (15) by a bayonet connector on the gun mounting (7).
- Open the locking lever (4).
- Insert the trigger unit (14) into the gun mounting (7) with a twist.
- Close the locking lever.
- Insert the material tube (11) into the material tube connection (10)

- Screw the container into the trigger unit.

5.2 Charging the Lithium-Ion battery (not included)

The corresponding instructions can be found in the original operating instructions for your charger.

5.3 Battery capacity indicator (Fig. 16 / item 20)

Press the battery capacity indicator switch (21). The battery capacity indicator (20) shows the charge status of the battery using 3 LEDs.

All 3 LEDs lit:

The battery is fully charged.

2 or 1 LED(s) lit:

The battery has an adequate remaining charge.

1 LED flashing:

The battery is empty, recharge the battery.

All LEDs flashing:

The temperature of the battery is too low. Remove the battery from the device and leave it at room temperature for a day. If the error occurs again, this means that the battery has been completely depth-discharged and is defective. Remove the battery from the device. Never use or charge a defective battery.

6. Operation

Warning!

Follow the safety precautions provided by the manufacturer of the material you want to spray. Use suitable face masks, gloves and protective clothing.

6.1 Material preparation

The paint usually has to be thinned before it can be used in the spray gun. Instructions on how to thin the paint for spraying are not always printed on the paint tin. You should use the viscosity table as a guide (viscosity = consistency of the paint).

6.1.1 Measuring the viscosity (Fig. 5)

1. Mix the material thoroughly before measuring.
2. Completely immerse the viscosity cup (8) into the material.
3. Then lift the viscosity cup (8) out of the mixture and use a stopwatch to measure the time it

takes for all of the material to flow through the cup. As soon as the continuous flow out of the bottom is interrupted, stop the timer. Repeat until you have the viscosity you need.

This is the "**Draining time in seconds**". (See 10. Viscosity Table)

6.1.2 Nozzle diameter

The size of the nozzle and fluid needle to be used depends on the viscosity of the material. Depending on the viscosity, use the 2.0 mm dia. nozzle (colour: red, for lower viscosity) or the 2.5 mm dia. nozzle (colour: black, for higher viscosity). The fluid needle in the gun is suitable for both nozzle diameters.

6.2 Working with the paint spray gun (Fig. 6)

Important! Cover all surfaces which must be protected from the spray, even areas which are further away from the place where you are working. A fine mist from the spray gun can spread to areas in the wider surroundings indoors and outdoors, and the material will be deposited on surfaces there.

- Unscrew the container (12) from the paint spray gun.
- Align the material tube (11) for the object you are working on.
- Spraying on horizontal objects: Rotate the material tube (11) towards the front.
- Spraying on raised objects: Rotate the material tube (11) towards the rear.
- Never continue spraying until the container is completely empty. If the material tube no longer reaches the spray material, the spray flow will be interrupted and the coverage on the surface will be uneven.
- Once you have performed the viscosity measurement as described in 6.1.1, place the container (12) on some paper, pour in the material you have prepared and tightly screw the container (12) back into the paint spray gun.
- The paint spray gun is allowed to be placed only on a clean, even surface. Otherwise it might tip over.
- After each cleaning (see 7.1) or change of fan pattern (see 6.3), tighten the air cap retaining ring (1) to prevent material from leaking out between the air cap retaining ring and the air cap (2).

6.3 Adjusting the fan pattern (Fig. 7)

You can set the paint spray gun to produce three different fan patterns to suit your needs.

Loosen the air cap retaining ring (1) and rotate the air cap (2) to the desired position. Re-tighten the air cap retaining ring.

Selecting the fan pattern:

A: Vertical fan

-> for horizontal surfaces

B: Horizontal fan

-> for vertical surfaces

C: Round cone

-> for corners, edges and surfaces that are difficult to access

Risk of injury!

Never press the trigger while you are adjusting the jet.

6.4 Adjusting the material flow (Fig. 8)

You can rotate the max. paint volume control (6) to regulate the material flow.

- Direction -> lower material flow

+ Direction -> higher material flow

6.5 Spraying techniques

- The results you get depend on how smooth and clean the surface is. The surface must be carefully prepared and free of dust.
- Surfaces, threads, etc. which should not be sprayed must be covered.
- Always set the spray gun down on cardboard or something similar. You can use the cardboard as a target to properly adjust the spray gun.

Important:

Always begin spraying outside of the area to be sprayed and avoid interrupting spraying inside the area to be sprayed.

- Wrong (Fig. 9): If you only rotate the spray gun from side to side, the gun will produce a heavy mist and the coverage will be uneven.
- Right (Fig. 10): Always hold the spray gun at the same distance (about 2-6") from the surface you are working on.
- Move the spray gun uniformly laterally or up and down depending on the fan pattern.
- Uniform motion of the spray gun produces uniform finish quality.
- If material residue remains on the nozzle

(3) and the air cap (2), clean both parts with solvent or water.

6.6 Disconnecting and cleaning the gun (Fig. 1-2, 11-15)

Danger!

Always pull out the battery pack before starting any cleaning work.

1. Press the trigger (5), so that the residual material flows back into the container (12).
2. Unscrew the container (12) and empty the residual material back into the material tin.
3. Clean the container (12) and the material tube (11) with a bristle brush.
4. Pour solvent or water into the container. Depending on the base of the material you are using. Screw the container back on. Solvents with a flash point above 131° F (55°C) are not allowed to be used.
5. Reinsert the battery and turn on the paint spray gun. Set the max. paint volume control (6) to the maximum flow setting. Spray the solvent or water into a container or rag, but never into the surroundings.
6. Repeat the procedure above until the clear solvent or water exits from the nozzle (3).
7. Then switch off the paint spray gun and remove the battery.
8. Completely empty the container (12). Always keep the container (12) free of residue and check it for damage.
9. Use a rag soaked in solvent or water to clean the outside of the paint spray gun and the container (12).
10. Unscrew the air cap retaining ring (1) and then remove the air cap (2). Remove the nozzle (3). Push the fluid needle adapter (18) onto the fluid needle (13). Twist and pull to remove the fluid needle. Clean the air cap retaining ring, the air cap, the nozzle and the fluid needle with a bristle brush and solvent or water.
11. Remove the filter cap (16) to clean the air inlet filter. Remove the filter and clean it by blowing out with air. Then reinsert the filter and screw the filter cap onto the gun. Do not operate the gun without the filter.
12. Reinsert the fluid needle. Pull the trigger and insert the nozzle on the fluid needle. While inserting, ensure that the pins on the sides of the fluid needle point up/down and not right/left. Pull the trigger while placing the air cap on the nozzle and fastening the air cap with the air cap retaining ring.

13. Ensure that the paint spray gun is completely dry before storing it.
14. Properly dispose of residual paint and cleaning agents in accordance with local laws and regulations. Residual paint and solvents must be taken to a suitable collection point. If you are not sure, ask the local council where the nearest collection point is.

Warning!

Never immerse the paint spray gun in water or other liquids. Clean the housing only with a dampened rag.

Note: If you use 2-component paint, you must clean the gun immediately. Otherwise the paint might dry inside the gun, causing an equipment fault.

7. Cleaning and maintenance

HAZARD!

Always take the battery out of the equipment before starting any cleaning work.

7.1 Cleaning

- Keep all safety devices, air vents and the motor housing free of dirt and dust as far as possible. Wipe the equipment with a clean cloth or blow it down with compressed air at low pressure.
- We recommend cleaning the equipment immediately each time after use.
- Clean the equipment regularly with a damp cloth and some soft soap. Do not use cleaning agents or solvents; these may be aggressive to the plastic parts in the equipment. Ensure that no water can get into the interior of the equipment. The ingress of water into an electric power tool increases the risk of an electric shock.

7.2 Maintenance

There are no other parts inside the equipment which require maintenance.

8. Disposal and recycling

The equipment is supplied in packaging to prevent it from being damaged in transit. The raw materials in this packaging can be reused or recycled. The equipment and its accessories are made of various types of material, such as metal and plastic. Never place defective equipment in your household refuse. The equipment should be taken to a suitable collection center for proper disposal. If you do not know the whereabouts of such a collection point, you should ask in your local council offices.

9. Storage

Store the equipment and its accessories out of children's reach in a dark and dry place at above freezing temperature. The ideal storage temperature is between 41°F and 86°F (5°C and 30°C). Keep the electric tool in its original packaging.

The reprinting or reproduction by any other means, in whole or in part, of documentation and papers accompanying the products is strictly subject to the express consent of Einhell Germany AG.

Subject to technical changes.

10. Viscosity Table

Examples of spray materials. Follow the manufacturer's instructions!	Draining time in seconds (DIN-sec)
Solvent-borne primers	25-30
Solvent-borne paint	15-30
Water-borne primers	25-30
Water-borne paint	20-25
Wood preservatives, stains, oils	undiluted
Disinfectants	undiluted
Vehicle topcoats	20-25

11. Troubleshooting Guide

Fault	Possible cause	Remedy
No material exits from the nozzle.	<ul style="list-style-type: none"> - Nozzle clogged. - Material tube clogged. - Max. paint volume control rotated too far anti-clockwise (-). - Material tube is loose. - No pressure build-up in the container. - Consistency of the material is too thick. 	<ul style="list-style-type: none"> - Clean. - Clean. - Turn clockwise (+). - Insert. - Tighten container. - Dilute.
Material drips from nozzle after spraying.	<ul style="list-style-type: none"> - Nozzle is loose. - Nozzle is worn. - Nozzle seal is worn. - Solids in the air cap or nozzle. 	<ul style="list-style-type: none"> - Tighten. - Replace. - Replace. - Clean.
Atomization too coarse.	<ul style="list-style-type: none"> - Material viscosity too high. - Material volume too high. - Max. paint volume control turned too far clockwise (+). - Dirty nozzle. - Insufficient pressure build-up in the container. 	<ul style="list-style-type: none"> - Dilute. - Turn the max. paint volume control anti-clockwise (-). - Clean. - Tighten the container.
Intermittent ("fluttering") spray.	<ul style="list-style-type: none"> - Almost all of the material in the container has been used up. 	<ul style="list-style-type: none"> - Add more.
Coating pattern is too light and uneven.	<ul style="list-style-type: none"> - You moved the paint spray gun too fast across the surface you are working on. 	<ul style="list-style-type: none"> - Move the gun more slowly.
The paint runs.	<ul style="list-style-type: none"> - You applied too much material. 	<ul style="list-style-type: none"> - Turn the max. paint volume control anti-clockwise (-).
Excessive spray mist.	<ul style="list-style-type: none"> - The gun is too far away from the object you are working on. 	<ul style="list-style-type: none"> - Hold the gun closer - Turn the max. paint volume control anti-clockwise (-).

Danger !

Certaines mesures de sécurité doivent être respectées pendant l'utilisation des appareils pour empêcher les blessures et les dommages. Par conséquent, lisez attentivement le présent mode d'emploi / les consignes de sécurité. Conservez-les bien pour avoir les informations toujours à la portée de la main. Si vous devez passer l'appareil à d'autres personnes, veuillez leur remettre également le présent mode d'emploi / les consignes de sécurité. Nous ne sommes pas tenus des accidents ou dommages survenus à cause de non-respect du présent mode d'emploi et des consignes de sécurité.

1. Consignes de sécurité**Danger !**

Lisez toutes les consignes de sécurité et instructions. Le non-respect des consignes de sécurité et des instructions peut causer une électrocution, un incendie et / ou de graves blessures. **Conservez toutes les consignes de sécurité et instructions pour l'avenir.**

Consignes générales de sécurité pour les outils électriques

Le terme « outil électrique » utilisé dans les consignes de sécurité se réfère à des outils électriques alimentés par le secteur (avec câble d'alimentation) et à des outils électriques alimentés par la batterie (sans câble d'alimentation).

1. Sécurité du lieu de travail

- a) **Maintenez votre espace de travail propre et bien éclairé.** *Le désordre ou les espaces de travail non éclairés peuvent provoquer des accidents.*
- b) **Ne travaillez pas avec l'outil électrique dans une atmosphère explosible contenant des liquides, des gaz ou des poussières combustibles.** *Les appareils électriques génèrent des étincelles pouvant enflammer la poussière ou les vapeurs.*
- c) **Tenez à distance les enfants et autres personnes lors de l'utilisation de l'appareil électrique.** *En cas de distraction, vous pouvez perdre le contrôle de l'appareil.*

2. Sécurité électrique

- a) **La fiche de raccordement de l'appareil électrique doit être adaptée à la prise. La fiche ne doit être modifiée en aucune façon. N'utilisez pas de fiche d'adaptateur avec les outils électriques mis à la terre.** *Les fiches non modifiées et les prises adaptées diminuent le risque d'une électrocution.*
 - b) **Évitez le contact physique avec les surfaces mises à la terre, comme celles de conduits, des chauffages, des cuisinières et des réfrigérateurs.** *Il existe un risque élevé d'électrocution lorsque votre corps est mis à la terre.*
 - c) **Gardez les appareils électriques à l'abri de la pluie ou de l'humidité.** *La pénétration de l'eau dans un appareil électrique augmente le risque d'une électrocution.*
 - d) **Ne détournez pas le câble de sa fonction pour porter ou pour accrocher l'appareil électrique ou pour retirer la fiche de la prise. Gardez le câble à l'abri de la chaleur, de l'huile, des bords coupants ou des éléments mobiles de l'appareil.** *Les câbles endommagés ou enchevêtrés augmentent le risque d'une électrocution.*
 - e) **Si vous travaillez avec un appareil électrique dehors, utilisez uniquement une rallonge adaptée à l'usage à l'extérieur.** *L'utilisation d'une rallonge adaptée à l'usage à l'extérieur diminue le risque d'une électrocution.*
 - f) **Si l'appareil électrique doit être utilisé dans un environnement humide, utilisez un Disjoncteur de fuite à la terre.** *L'utilisation d'un disjoncteur de fuite à la terre diminue le risque d'une électrocution.*
- 3. Sécurité des personnes**
- a) **Soyez attentif, prenez garde à ce que vous faites et soyez raisonnable en travaillant avec un outil électrique. N'utilisez pas un appareil électrique si vous êtes fatigué ou si vous vous trouvez sous l'effet de drogues, d'alcool ou de médicaments.** *Un instant d'inattention lors de l'utilisation de l'appareil électrique peut entraîner de graves blessures.*
 - b) **Utilisez l'équipement de protection individuelle. Porter toujours une protection des yeux.** *L'équipement de protection, tel que le masque anti-poussière, les chaussures de sécurité antidérapantes, le casque protecteur ou la protection auditive utilisés dans des conditions appropriées, permet de réduire les*

- dommages corporels.*
- c) **Évitez tout démarrage non intentionnel. S'assurer que le bouton marche-arrêt est en position Arrêt (Off) avant de connecter la source de courant et/ou la BATTERIE, de prendre et de transporter l'outil.** *Transporter des outils électriques avec votre doigt sur le bouton marche-arrêt ou mettre sous tension des outils électriques dont le bouton marche-arrêt est position Marche (On) peut causer des accidents.*
- d) **Avant d'allumer l'outil électrique, retirez les outils de réglage ou les clés.** *Un outil ou une clé se trouvant dans un élément tournant de la machine peut entraîner des blessures.*
- e) **Évitez une posture anormale. Ayez un appui stable et gardez l'équilibre en permanence.** *Vous pouvez ainsi mieux contrôler l'outil électrique dans des situations imprévues.*
- f) **Portez des vêtements appropriés. Ne portez pas de vêtements amples ni de bijoux. Gardez les cheveux, les vêtements et les gants à distance des éléments mobiles.** *Des vêtements amples, bijoux ou longs cheveux peuvent être happés par les éléments mobiles.*
- g) **Si des dispositifs d'aspiration ou de récupération des poussières peuvent être montés, assurez-vous qu'ils sont connectés et peuvent être utilisés correctement.** *L'utilisation d'une aspiration des poussières peut diminuer les risques causés par la poussière.*
- h) **La familiarité acquise par l'utilisation fréquente des outils ne doit pas laisser place à la complaisance et à l'ignorance des principes de sécurité de l'outil.** *Une action imprudente peut causer de graves blessures en une fraction de seconde.*
- 4. Utilisation et traitement de l'outil électrique**
- a) **Ne surchargez pas l'appareil.** *Utilisez l'outil électrique adapté à votre application. Vous travaillez mieux et de manière plus sûre avec un outil électrique approprié dans la gamme de puissance indiquée.*
- b) **N'utilisez pas un outil électrique avec un interrupteur défectueux.** *Un outil électrique qui ne peut plus être allumé ou éteint est dangereux et doit être réparé.*
- c) **Débranchez la fiche de la source électrique et / ou retirez la batterie de l'outil électrique, si elle est amovible, avant de procéder à des ajustements, remplacer des accessoires ou ranger les outils électriques.** *De telles mesures préventives réduisent le risque de démarrage accidentel de l'outil électrique.*
- d) **Conservez les outils électriques non utilisés hors la portée des enfants. Ne permettez pas aux personnes qui ne sont pas familiarisées avec cet appareil ou qui n'ont pas lu ces instructions de l'utiliser.** *Les outils électriques sont dangereux lorsqu'ils sont utilisés par des personnes inexpérimentées.*
- e) **Entretenez les outils électriques et les accessoires. Vérifiez la dérive d'alignement ou l'attache des pièces mobiles, la rupture des pièces et s'assurer qu'aucun autre problème peut affecter le bon fonctionnement de l'outil électrique. Faire réparer l'outil endommagé avant l'utilisation.** *De nombreux accidents sont dus au mauvais entretien des outils électriques.*
- f) **Maintenez vos outils de coupe aiguisés et propres.** *Les outils de coupe aux bords tranchants bien soignés se coincent moins et sont plus aisés à guider.*
- g) **Utilisez l'outil électrique, les accessoires, les outils utilisés, etc. conformément au présent mode d'emploi. Tenez compte des conditions de travail et de l'activité à réaliser.** *L'utilisation des outils électriques pour des usages autres que prévus peut entraîner des situations dangereuses.*
- h) **Gardez les poignées et les surfaces de prise sèches, propres et exemptes d'huile et de graisse.** *Les poignées et surfaces de prise glissantes ne permettent pas d'effectuer une manipulation et un contrôle de l'outil en toute sécurité dans des situations imprévues.*
- 5. Utilisation et traitement de l'outil sans fil**
- a) **Chargez les batteries uniquement dans les chargeurs recommandés par le fabricant.** *L'utilisation d'un chargeur pour des batteries non appropriées présente un risque d'incendie.*
- b) **Utilisez dans les outils électriques uniquement les batteries prévues à cet effet.** *L'utilisation d'autres batteries peut entraîner des blessures et le risque d'incendie.*
- c) **Conservez la batterie non utilisée à distance des trombones, pièces de monnaie, clés, clous, vis ou autres menus objets en métal susceptibles de provoquer un**

pontage des contacts. *Un court-circuit entre les contacts de la batterie peut entraîner des brûlures ou le feu.*

- d) **En cas d'utilisation incorrecte, un liquide peut s'échapper de la batterie. Ne le touchez pas. Rincez à l'eau en cas de contact fortuit. Si le liquide entre en contact avec les yeux, consultez également le médecin.** *Le liquide s'échappant de la batterie peut causer des irritations cutanées ou des brûlures.*
- e) **Ne pas utiliser une BATTERIE ou un outil endommagé(e) ou modifié(e).** *Les batteries endommagées ou modifiées peuvent agir de manière imprévisible et donner lieu à un incendie, une EXPLOSION ou un risque de blessure.*
- f) **Ne pas exposer une BATTERIE ou un outil au feu ou à une température excessive.** *Une exposition au feu ou à une température supérieure à 266°F (130°C) peut causer une explosion.*
- g) **Suivre toutes les instructions de charge et ne pas charger la BATTERIE ou l'outil en dehors de la gamme de température spécifiée dans les instructions.** *Un mauvais chargement ou un chargement à des températures en dehors de la gamme spécifiée peut endommager la BATTERIE et augmenter les risques d'incendie.*
- 6. Service**
- a) **Faites réparer votre outil électrique uniquement par des spécialistes qualifiés et uniquement avec des pièces de rechange d'origine.** *Cela garantit le maintien de la sécurité de l'outil électrique.*
- b) **Ne jamais entretenir des BATTERIES endommagées.** *L'entretien des BATTERIES doit être effectué uniquement par le fabricant ou par des prestataires de service autorisés.*

Consignes spécifiques de sécurité

Nous construisons chaque batterie avec le plus grand soin possible pour pouvoir vous transmettre les batteries avec la densité énergétique, la durabilité et la sécurité maximales. Les cellules de batterie sont munies de dispositifs de sécurité de plusieurs niveaux. Chaque cellule individuelle est d'abord formatée, et leurs courbes caractéristiques sont enregistrées. Ensuite, ces données sont utilisées pour pouvoir regrouper les meilleures batteries possible.

Malgré toutes les mesures de sécurité, il faut toujours être prudent en maniant les

batteries. Les points suivants doivent être impérativement respectés pour assurer le fonctionnement sûr.

Le fonctionnement sûr n'est possible qu'avec des cellules intactes ! Une manipulation incorrecte endommage les cellules.

Attention ! Des analyses confirment que l'utilisation gravement inappropriée et des soins incorrects constituent la cause principale des dommages dus aux batteries haute performance.

Consignes concernant les batteries

1. La batterie de l'appareil sans fil n'est pas chargée à la livraison. Par conséquent, la batterie doit être chargée avant la première mise en service.
2. Évitez des cycles de décharge à plat pour garantir la performance maximale de la batterie ! Chargez souvent votre batterie.
3. Conservez votre batterie au frais, au mieux à 59 °F (+15 °C), et chargée d'au moins à 40%.
4. Les batteries Lithium-Ion sont sujettes au vieillissement naturel. La batterie doit être remplacée au plus tard lorsque la capacité de la batterie ne correspond plus qu'à 80 % de l'état neuf. Les cellules affaiblies dans une batterie vieillie ne tiennent plus la tête aux exigences élevées en terme de performance et présentent ainsi un risque de sécurité.
5. Ne jetez pas les batteries usées dans le feu ouvert. Risque d'explosion !
6. Ne pas allumer la batterie et ne pas l'exposer à la combustion.
7. **Ne pas décharger complètement la batterie !** La décharge complète endommage les cellules de la batterie. La cause la plus fréquente de la décharge complète de la batterie constitue un stockage ou non-utilisation prolongés des batteries à moitié chargées. Terminez l'opération dès que la puissance diminue visiblement ou la protection électronique réagit. Ne conservez la batterie que complètement chargée.
8. **Protéger les batteries et l'appareil contre la surcharge !** Une surcharge provoque rapidement la surchauffe et l'endommagement des cellules à l'intérieur du boîtier de batterie, sans que cela puisse se voir de l'extérieur.
9. **Évitez les détériorations et les chocs !** Remplacez sur-le-champ les batteries ayant chuté d'une hauteur de plus d'un mètre ou ayant été exposées à des coups violents, même si le boîtier de la batterie semble intact.

Les cellules de la batterie peuvent être sérieusement endommagées à l'intérieur. Respectez à cet égard également les consignes d'élimination.

10. En cas de surcharge et de surchauffe, le circuit de protection intégré éteint l'appareil pour des raisons de sécurité.
Attention ! N'actionnez plus l'interrupteur marche / arrêt lorsque le circuit de protection a éteint l'appareil. Cela peut endommager la batterie.
11. N'utilisez que des batteries d'origine. L'utilisation d'autres batteries peut entraîner des blessures, une explosion et le risque d'incendie.
12. **Protégez votre batterie de l'humidité, de la pluie et de l'humidité de l'air élevée.** L'humidité, la pluie et l'humidité de l'air élevée peuvent endommager dangereusement les cellules. En aucun cas, ne chargez ni ne travaillez avec la batterie qui a été exposée à l'humidité, à la pluie ou à l'humidité de l'air élevée – remplacez-les immédiatement !
13. Si votre appareil est équipé d'une batterie amovible, retirez-la de votre appareil à la fin de votre travail pour des raisons de sécurité.

Consignes concernant le chargeur et la charge

1. Tenez compte des informations indiquées sur la plaque signalétique du chargeur. Raccordez le chargeur uniquement à la tension d'alimentation indiquée sur la plaque signalétique.
2. Protégez le chargeur et le fil contre l'endommagement et les bords coupants. Les câbles endommagés doivent être immédiatement remplacés par un électricien.
3. Protéger le chargeur, les batteries et l'appareil sans fil contre les enfants.
4. Ne pas utiliser des chargeurs endommagés.
5. N'utilisez pas le chargeur fourni pour charger d'autres appareils sans fil.
6. En cas de forte sollicitation, la batterie se réchauffe. Laissez refroidir la batterie à la température ambiante avant le chargement.
7. **Ne pas surcharger les batteries !** Respectez les durées maximales du chargement. Ces durées de chargement s'appliquent uniquement aux batteries déchargées. Le branchement répété d'une batterie chargée ou partiellement chargée entraîne la surcharge et l'endommagement des cellules. Ne pas laisser les batteries insérées dans le chargeur pendant plus que 48 heures.

8. **N'utilisez ni chargez pas les batteries que vous supposez avoir été chargées pour la dernière fois depuis plus de 12 mois.** Il est hautement probable que la batterie est déjà dangereusement endommagée (déchargement complet).
9. Un chargement à une température inférieure à 50 °F (10 °C) entraîne une détérioration chimique de la cellule et peut provoquer un incendie.
10. N'utilisez pas de batteries qui se sont réchauffées pendant le chargement, car les cellules de la batterie pourraient être dangereusement endommagées.
11. N'utilisez plus les batteries qui se sont bombées ou déformées pendant le chargement ou qui présentent des symptômes inhabituels (dégazage, sifflement, grésillement, ...).
12. Ne déchargez pas complètement la batterie (déchargement maximal recommandé max. 80 %). Le déchargement complet entraîne un vieillissement précoce des cellules de la batterie.
13. Ne chargez jamais les batteries sans surveillance !

Protection contre l'impact environnemental

1. Portez des vêtements de travail appropriés. Porter des lunettes de protection.
2. **Protégez votre appareil sans fil et le chargeur contre l'humidité et la pluie.** L'humidité et la pluie peuvent entraîner des endommagements dangereux des cellules.
3. Ne pas utiliser l'appareil sans fil et le chargeur dans un espace contenant des vapeurs et des liquides combustibles.
4. Utilisez le chargeur et les appareils sans fil uniquement en état sec et à une température ambiante de 50-104 °F (10-40 °C).
5. Ne conservez pas la batterie dans des endroits où la température peut être supérieure à 104 °F (40 °C), en particulier dans un véhicule garé au soleil.
6. **Protégez les batteries contre la surchauffe !** Une surcharge, un chargement excessif ou le rayonnement solaire entraînent la surchauffe et détériorent les cellules. Ne chargez ni travaillez en aucun cas avec les batteries qui ont été surchauffées, remplacez-les sans tarder.
7. **Conservation des batteries, des chargeurs et de l'appareil sans fil.** Conservez le chargeur et votre appareil sans fil uniquement dans des locaux secs à une température ambiante de 50-104 °F (10-40 °C).

Conservez la batterie Lithium-Ion au frais et au sec à 50-68 °F (10-20 °C). Protégez contre l'humidité de l'air et le rayonnement solaire direct ! Conservez les batteries uniquement en état chargé (au moins 40 % de charge).

8. Empêchez que la batterie Lithium-Ion gèle. Les batteries qui ont été conservées plus de 60 minutes au-dessous de 32 °F (0 °C) doivent être éliminées.
9. Attention lors de la manipulation des batteries en rapport avec la charge électrostatique : les décharges électrostatiques endommagent la protection électronique et les cellules de la batterie ! Par conséquent, évitez les décharges électrostatiques et ne touchez jamais les pôles de la batterie !

Mise en garde concernant les batteries et informations sur leur élimination

Élimination

Si votre outil doit être remplacé après une période d'utilisation prolongée, ne le jetez pas avec les ordures ménagères, mais éliminez-le d'une manière respectueuse pour l'environnement.



Les déchets produits par les éléments d'un outil ou d'une machine électrique ne doivent pas être traités comme des déchets ménagers. Veuillez les recycler dans les installations prévues à cet effet.

Pour obtenir des conseils sur le recyclage, communiquez avec les services publics locaux ou avec votre revendeur.

Éliminez toujours les batteries en vous conformant aux réglementations fédérales, provinciales ou territoriales et locales.

Communiquez avec un organisme de recyclage de votre région pour obtenir la liste des sites de recyclage.

⚠ MISE EN GARDE! Même déchargée, une batterie emmagasine une certaine énergie. Avant de l'éliminer, utilisez du ruban isolant pour couvrir les bornes et empêcher ainsi la batterie de provoquer un court-circuit, ce qui pourrait causer un incendie ou une explosion.

⚠ AVERTISSEMENT! Pour réduire le risque de blessure ou d'explosion, ne jamais brûler ou incinérer une batterie, même si elle est endommagée, à plat ou complètement déchargée. En brûlant, des vapeurs et des matières toxiques sont émises dans l'atmosphère environnante.

1. Les batteries varient selon le type d'outils ou de machines. Consulter le manuel pour des

renseignements spécifiques.

2. Le cas échéant, insérez uniquement des batteries neuves de même type dans l'outil ou la machine.
3. Si, en l'insérant, la polarité de la batterie n'est pas respectée, comme indiqué dans le compartiment à batterie ou dans le manuel, sa durée de vie pourrait être réduite ou elle pourrait fuir.
4. Ne pas mélanger des batteries anciennes et des neuves.
5. Ne pas mélanger des batteries alcalines, standard (carbone/zinc) ou rechargeables (au nickel-cadmium, au nickel-métal-hydrure ou au lithium-ion).
6. Ne jeter aucune batterie au feu. Les cellules de batterie peuvent exploser.
7. Les batteries doivent être recyclées ou éliminées en observant les directives provinciales ou territoriales et locales.

Pour expédier ou éliminer les batteries ou l'appareil sans fil, veillez à ce qu'ils soient emballés individuellement dans un sachet en plastique pour empêcher les courts-circuits ou les incendies !

Consignes de sécurité spéciales

- Retirez l'accumulateur avant tous travaux sur le pistolet à peinture.
- Vous devez pulvériser uniquement des matériaux tels que les peintures, les laques, les lasures, etc. avec un point d'inflammation supérieur à 131°F (55°C) sans qu'elles aient été chauffées en supplément. (Matériaux de la classe de risque A II ou A III, cf. emballage du matériau)
- Veillez aux dangers qui émanent du matériau lorsque vous le pulvérisiez. Veuillez respecter pour ce faire les inscriptions sur les emballages ou les consignes indiquées par le fabricant du matériau.
- Veillez respecter les consignes du fabricant en matière de mesures de protection pour les liquides utilisés.
- Ne pulvérisiez aucun matériau dont vous ne connaissez pas la dangerosité.
- Utilisez des dispositifs filtrants (masques pour le visage) pour vous protéger et éviter d'inhaler le brouillard de peinture.
- Utilisez des gants appropriés et des vêtements de protection pour éviter tout contact de la peinture avec la peau.
- Utilisez une protection des yeux appropriée (lunettes de protection).

- L'espace de travail doit être supérieur à 1060 pi³ (30 m³) et un renouvellement de l'air suffisant doit être garanti lors de la pulvérisation et du séchage.
- Veuillez tenir compte du fait que les laques et peintures utilisées peuvent être facilement inflammables et explosibles. Il ne doit pas y avoir de sources de combustion comme p. ex. les foyers, les flammes nues, les cigarettes allumées ou les machines dégageant des étincelles à proximité.
- Il est interdit d'utiliser le pistolet à peinture sur les sites d'exploitation qui sont soumis à la réglementation de prévention des explosions.
- Toute source d'inflammation comme p. ex. les flammes nues, le fait de fumer une cigarette, les étincelles, les fils incandescents, les surfaces brûlantes etc. sont interdites à proximité.
- Le pistolet à peinture ne doit pas être utilisé pour la pulvérisation de matériaux inflammables.
- Le pistolet à peinture ne doit pas être utilisé avec des solvants inflammables.
- **RISQUE DE BLESSURE !** Ne jamais diriger le pistolet à peinture sur soi-même, les personnes ou les animaux.
- Veuillez respecter les réglementations locales et légales avant d'éliminer les résidus de peinture et les produits nettoyants.
- Les résidus de peinture doivent être remis au centre de collecte approprié. Si vous ne connaissez pas de centre de collecte, veuillez-vous renseigner auprès de l'administration de votre commune.
- Lors du travail avec le pistolet à peinture dans des pièces ou à l'air libre, veillez à qu'aucune vapeur de solvant ne soit aspirée par l'appareil.
- Veuillez faire attention au sens du vent lorsque vous êtes à l'air libre. Le vent peut répartir le matériau sur de plus grandes distances et causer des dommages.
- Ne laissez pas les enfants manipuler l'appareil.
- N'ouvrez jamais l'appareil vous-même pour procéder à des réparations du dispositif électrique !
- Des substances toxiques peuvent pénétrer dans le corps si vous dirigez le jet de pulvérisation sur la peau. Veuillez immédiatement consulter un médecin si le jet de pulvérisation blesse la peau ou la pénètre.
- Cet appareil ne doit pas être utilisé par les enfants. Surveillez les enfants pour vous as-

surer qu'ils ne jouent pas avec l'appareil. Le nettoyage et l'entretien ne doivent pas être effectués par des enfants.

- Cet appareil ne doit pas être utilisé par des enfants ainsi que par des personnes ayant des capacités physiques, sensorielles ou mentales diminuées ou manquant d'expérience et de connaissances.

CONSERVER CES INSTRUCTIONS

Explication des symboles utilisés (voir figure 17)

1. **Danger!** - Lisez ce mode d'emploi pour diminuer le risque de blessures.
2. **Prudence! Portez une protection de l'ouïe.** L'exposition au bruit peut entraîner une perte de l'ouïe.
3. **Prudence! Portez un masque anti-poussière.** Lors de travaux sur le bois et autres matériaux, de la poussière nuisible à la santé peut être dégagée. Ne travaillez pas sur du matériau contenant de l'amiante !
4. **Prudence! Portez des lunettes de protection.** Les étincelles générées pendant travail ou les éclats, copeaux et la poussière sortant de l'appareil peuvent entraîner une perte de la vue.
5. **Attention ! Portez des gants !**
6. **Remarque !** Démontez et nettoyez l'appareil immédiatement après chaque utilisation. C'est la seule manière pour que les pièces de l'appareil en contact avec la peinture restent propres sans coller. Les composants non nettoyés peuvent coller et entraîner le dysfonctionnement de l'appareil.
7. Entreposez les batteries uniquement dans des pièces sèches à une température ambiante de +10 °C à +40 °C. Ne pas entreposer les batteries que lorsqu'elles sont chargées (charge min. 40 %).

2. Description de l'appareil et contenu de l'emballage

2.1 Description de l'appareil

1. Écrou-raccord
2. Clapet d'air
3. Buse
4. Levier de fermeture
5. Levier de détente
6. Régulation max. quantité de peinture
7. Logement du pistolet

8. Verre mesureur de viscosité
9. Crochet pour l'entreposage mural
10. Raccord tuyau ascendant
11. Tuyau ascendant
12. Réservoir
13. Aiguille de buse
14. Unité de détente
15. Unité d'entraînement
16. Bouchon de filtre avec filtre
17. Aiguille de nettoyage
18. Adaptateur pour aiguille de buse
19. Touche à crans
20. Témoin de charge de la batterie
21. Bouton de témoin de charge de la batterie

2.2 Contenu d'emballage

Veillez contrôler l'intégralité de l'article au moyen du contenu d'emballage décrit. En cas de pièces manquantes, veuillez contacter notre centre de service à la clientèle ou le point de vente où vous avez acheté l'appareil au plus tard dans les 5 jours ouvrables à compter de l'achat de l'article en présentant un ticket de caisse valable.

- Ouvrez l'emballage et retirez prudemment l'appareil.
- Enlevez le matériau d'emballage ainsi que les sécurités d'emballage et de transport (le cas échéant).
- Vérifiez l'intégralité du contenu d'emballage.
- Vérifiez si l'appareil et les accessoires présentent des dommages dus au transport.
- Si possible, conservez l'emballage jusqu'à l'expiration de la durée de garantie.

Danger !

L'appareil et le matériau d'emballage ne sont pas un jouet ! Les enfants ne doivent pas jouer avec des sachets en plastique, des films ou de petites pièces ! Il existe le risque d'ingestion et de suffocation !

- Pistolet à peindre
- Récipient
- Brosse de nettoyage (sans illustration)
- Aiguille de nettoyage
- Verre mesureur de viscosité
- Capuchon obturateur
- Buse 2,5 mm, montée sur l'appareil (noire)
- Buse de remplacement 2 mm (rouge)
- Mode d'emploi d'origine avec consignes de sécurité

Accessoires disponibles séparément

- 18V 1,5Ah PXC batterie Lithium-Ion
- 18V 2,0Ah PXC batterie Lithium-Ion
- 18V 2,5Ah PXC batterie Lithium-Ion
- 18V 3,0Ah PXC batterie Lithium-Ion
- 18V 4,0Ah PXC batterie Lithium-Ion
- 18V 3,0Ah PXC Plus batterie Lithium-Ion
- 18V 4,0Ah PXC Plus batterie Lithium-Ion
- 18V 5,2Ah PXC Plus batterie Lithium-Ion
- 18V 4,0Ah/6,0Ah PXC Plus batterie Lithium-Ion
- 18V 5,0Ah/8,0Ah PXC Plus batterie Lithium-Ion
- 18V PXC chargeur rapide à double raccord
- 18V PXC chargeur rapide

Contactez votre détaillant pour les modèles plus spécifiques de batteries et de chargeurs disponibles dans votre région. Vous pouvez également explorer les options de batterie + chargeur sur Einhell.com.


3. Utilisation conforme

La machine sert à pulvériser les peintures-laques à base de solvants et diluables à l'eau, les lasures, les couches primaires, les vernis, les couches de finition pour véhicules, les produits décapants et les produits de protection du bois. Il est interdit de pulvériser les matériaux à base de soude et d'acide, les matériaux de pulvérisation contenant des particules, les peintures à base de latex, les peintures anti-projections/anti-gouttes.

La machine ne doit être utilisée que conformément à sa destination. Toute autre utilisation dépassant ce cadre n'est pas conforme. C'est l'utilisateur / l'opérateur qui est responsable de tous les dommages ou blessures de toute nature en résultant et non pas le fabricant.

Veillez noter que nos appareils n'ont pas été conçus pour une utilisation commerciale, artisanale ou industrielle. Nous n'accordons aucune garantie si l'appareil est utilisé dans des entreprises commerciales, artisanales ou industrielles ou pour des activités équivalentes.

4. Caractéristiques techniques

Alimentation électrique du moteur: 18 V 
 Max débit par minute: 0,65 l/min (22 fl. oz.)
 Dimensions des buses: 2,0 mm / 2,5 mm
 Viscosité max: 60 DIN/sec
 Capacité du réservoir
 de peinture: 800 ml (27 fl. oz.)
 Poids (pistolet seul): 1,2 kg (2,65 lb)

Portez une protection auditive.

Le bruit peut provoquer une perte d'acuité auditive.

Limitez à un minimum l'émission de bruit et les vibrations !

- Utilisez uniquement des appareils irréprochables.
- Entretenez et nettoyez l'appareil régulièrement.
- Adaptez votre méthode de travail à l'appareil.
- Ne surchargez pas l'appareil.
- Faites examiner l'appareil le cas échéant.
- Éteignez l'appareil lorsqu'il n'est plus utilisé.

Attention !

Risques résiduels

Il existe toujours des risques même si vous vous servez correctement de cet outil électrique. Les risques suivants peuvent se produire en rapport avec la structure et la réalisation de cet outil électrique :

1. Lésions pulmonaires, si vous ne portez pas de masque anti-poussières approprié.
2. Lésions auditives, si vous ne portez pas de protection auditive appropriée.
3. Dommages pour la santé résultant des vibrations mains-bras, si votre appareil est utilisé d'une manière prolongée ou tenu et entretenu de manière incorrecte.

5. Avant la mise en service

5.1 Montage du pistolet à peindre (fig. 2/3/4)

- L'unité de détente (14) est raccordée à l'unité d'entraînement (15) par la fermeture à baïonnette du logement du pistolet (7).
- Ouvrez le levier de fermeture (4).
- Insérez l'unité de détente (14) dans le logement du pistolet (7) par un mouvement rotatif.
- Fermez le levier de fermeture.

- Enfichez le tuyau ascendant (11) sur le raccord du tuyau ascendant (10).
- Vissez le récipient sur l'unité de détente

5.2 Chargement de la batterie au Lithium-Ion (non inclus)

Vous trouverez les instructions correspondantes dans le mode d'emploi d'origine de votre chargeur.

5.3 Affichage de la capacité de la batterie (image 16/Pos. 20)

Appuyez sur l'interrupteur de l'affichage de la capacité de la batterie (21). L'affichage de la capacité de la batterie (20) signale l'état de charge de la batterie au moyen de 3 DEL.

Les 3 DEL s'allument:

La batterie est complètement chargée.

2 ou 1 DEL s'allument:

La batterie a une charge résiduelle suffisante.

1 DEL clignote:

La batterie est déchargée, chargez la batterie.

Tous les voyants clignent :

La température de la batterie est trop basse. Retirez la batterie de l'appareil, laissez-la à température ambiante pendant une journée. Si le défaut se reproduit, cela signifie que la batterie rechargeable a subi une décharge complète et est défectueuse. Retirez la batterie de l'équipement. N'utilisez ou ne chargez jamais une batterie défectueuse.

6. Fonctionnement

Avertissement !

Veillez respecter les consignes du fabricant en matière de mesures de protection pour les liquides utilisés. Utilisez des masques pour visage, gants et vêtements de protection adaptés.

6.1 Préparation du matériau

Pour être utilisées avec le pistolet à peindre, les peintures doivent être souvent diluées. Les consignes de dilution pour la pulvérisation ne figurent pas toujours sur l'emballage du matériau. Veuillez donc également consulter le tableau des viscosités. (viscosité = viscosité du matériau)

6.1.1 Mesure de la viscosité (fig. 5)

1. Mélangez bien le matériau avant la mesure.
2. Le verre mesureur de viscosité (8) doit être complètement plongé dans le matériau.
3. Sortez ensuite le verre mesureur de viscosité (8) du mélange et chronométrez le temps dont le liquide a besoin pour s'écouler complètement. Dès que le fil s'interrompt, arrêtez le chronomètre. Effectuez cette procédure jusqu'à ce que vous ayez atteint la viscosité nécessaire.

C'est le « **temps d'écoulement en secondes** ».
(cf. 10. Tableau des viscosités)

6.1.2 Diamètre des buses

La taille des buses et des aiguilles de buse à utiliser dépend de la viscosité des matériaux. Selon la viscosité, utilisez la buse de 2,0 mm de Ø (couleur : rouge, pour faible viscosité) ou la buse de 2,5 mm de Ø (couleur : noir, pour viscosité élevée). L'aiguille de buse de l'appareil convient pour le diamètre des deux buses.

6.2 Travail avec le pistolet à peindre (fig. 6)

Remarque ! Couvrez toutes les surfaces qui doivent être protégées de la peinture/du matériau pulvérisé avec du matériel couvrant, en prenant en compte également l'environnement du poste de travail. Un brouillard fin de peinture/matériau à pulvériser peut se répandre dans les pièces et plus loin à l'air libre et se déposer sur les surfaces.

- Dévissez le réservoir (12) du pistolet à peindre.
- Ajustez le tuyau ascendant (11) selon le mode de travail.
- Pulvérisation d'objets couchés : tournez le tuyau ascendant (11) vers l'avant.
- Pulvérisation d'objets surélevés : tournez le tuyau ascendant (11) vers l'arrière.
- Ne videz jamais complètement le récipient de matériau. Si le tuyau ascendant n'est plus plongé dans le matériau, le jet s'interrompt et une surface inégale apparaît.
- Lorsque vous avez procédé à la mesure de la viscosité comme au point 6.1.1, placez le récipient (12) sur un support papier et remplissez le récipient de matériau, puis vissez le récipient (12) sur le pistolet à peindre.
- Le pistolet à peindre doit être uniquement déposé sur une surface plane et propre. Dans le cas contraire, il existe un risque de basculement !
- Serrez l'écrou-raccord (1) après chaque net-

toyage (cf. 7.1) ou changement de forme de jet (cf. 6.3) afin d'éviter un écoulement de la peinture entre l'écrou-raccord et le capuchon d'air (2).

6.3 Réglage du mode de pulvérisation souhaité (fig. 7)

Selon l'utilisation trois formes de jet différentes peuvent être réglées sur le pistolet à peinture. Desserrez l'écrou-raccord (1) et tournez le capuchon d'air (2) dans la position désirée. Resserrez ensuite l'écrou-raccord.

Sélection du mode de pulvérisation :

A : Jet plat vertical

-> pour les surfaces horizontales

B : Jet plat horizontal

-> pour les surfaces verticales

C : Jet rond

-> pour les coins et les bords ainsi que les surfaces difficiles d'accès

Risque de blessure !

N'actionnez jamais le levier de détente pendant que vous procédez au réglage du jet.

6.4 Réglage de la quantité de matériau (fig. 8)

La quantité de matériau peut être réglée en tournant le bouton de régulation de la quantité (6).

Sens - -> moins de matériau

Sens + -> plus de matériau

6.5 Techniques de pulvérisation

- Le résultat de pulvérisation dépend fortement de la régularité de la surface et de sa propreté. C'est pourquoi, la surface doit être soigneusement nettoyée au préalable et être exempte de poussière.
- Couvrez les surfaces, filetages ou autres qui ne doivent pas être pulvérisés.
- Veillez à utiliser un carton ou tout autre matériel semblable comme support. Vous pourrez procéder à un essai de pulvérisation sur celui-ci afin de déterminer le réglage adapté.

Important :

Commencez la pulvérisation en dehors de la surface de pulvérisation et évitez toute interruption à l'intérieur de la surface de pulvérisation.

- Incorrect (fig. 9) : si vous ne faites qu'incliner le pistolet à peindre, un brouillard de peinture dense se forme et la qualité de la surface est irrégulière.

- Correct (fig. 10) : maintenez impérativement le pistolet à peindre à une distance régulière de 5 à 15 cm (2-6") de la surface à traiter.
- Déplacez le pistolet à peindre régulièrement et de façon transversale ou en va et vient, selon le réglage de la pulvérisation.
- Lorsque l'on manie le pistolet à peindre avec régularité, la qualité de la surface obtenue est homogène.
- Si des résidus de matériau restent sur la buse (3) et le capuchon d'air (2), nettoyez les deux pièces avec du solvant ou de l'eau.

6.6 Mise hors circuit et nettoyage (fig. 1-2, 11-15)

Danger !

Débranchez la batterie avant tous travaux de nettoyage.

1. Appuyez ensuite sur le levier de détente (5) afin que le matériau restant retourne dans le récipient (12).
2. Dévissez le récipient (12) et versez le reste du matériau dans l'emballage du matériau.
3. Nettoyez ensuite le récipient (12) et le tuyau ascendant (11) à l'aide d'un pinceau.
4. Remplissez ensuite le récipient de solvant ou d'eau. Revissez le récipient. Utilisez uniquement du solvant avec un point d'inflammation supérieur à 131° F (55 °C).
5. Réinsérez la batterie et allumez le pistolet à peindre. Pour ce faire, réglez la régulation de la quantité (6) sur débit maximum. Pulvérisez le solvant ou l'eau dans un récipient ou sur un chiffon, jamais dans votre environnement.
6. La procédure mentionnée ci-dessus doit être répétée aussi souvent que possible jusqu'à ce que du solvant ou de l'eau clair(e) s'écoule de la buse (3).
7. Éteignez ensuite le pistolet à peindre et retirez la batterie.
8. Videz ensuite le récipient (12) entièrement. Gardez le récipient (12) toujours exempt de résidus de matériau et vérifiez qu'il n'est pas endommagé.
9. Nettoyez l'extérieur du pistolet à peindre et du récipient (12) à l'aide d'un chiffon trempé dans du solvant ou de l'eau.
10. Dévissez l'écrou-raccord (1) retirez ensuite le capuchon d'air (2). Retirez ensuite la buse (3). Enfichez l'adaptateur pour aiguille de buse (18) sur l'aiguille de buse (13). Tournez et tirez ensuite pour retirer l'aiguille de buse. Nettoyez l'écrou-raccord, le capuchon d'air, la buse et l'aiguille de buse avec un pinceau et

du solvant ou de l'eau.

11. Retirez le capuchon de filtre (16) pour nettoyer le filtre d'aspiration d'air. Retirez le filtre et nettoyez celui-ci en soufflant dessus. Insérez ensuite le filtre et vissez le capuchon de filtre sur l'appareil. N'utilisez jamais l'appareil sans filtre.
12. Insérez à nouveau l'aiguille de buse. Tirez ensuite sur la détente et placez la buse sur l'aiguille de buse. Veillez lors de l'insertion à ce que les goupilles latérales de l'aiguille de buse soient orientées vers le haut/bas, et non pas vers la droite/gauche. Tirez sur la gâchette pendant que vous placez le capuchon d'air sur la buse et que vous serrez le capuchon d'air à l'aide de l'écrou-raccord.
13. Assurez-vous que le pistolet à peindre soit complètement sec avant l'entreposage.
14. Veuillez respecter les réglementations locales et légales avant d'éliminer les résidus de peinture et les produits nettoyants suivant les règles. Les résidus de peinture et les produits nettoyants doivent être déposés à un centre de collecte approprié. Si vous ne connaissez pas de centre de collecte, veuillez vous renseigner auprès de l'administration de votre commune.

Avertissement !

Ne maintenez jamais les pistolets à peindre sous l'eau et ne les plongez pas dans le liquide. Nettoyez le carter uniquement avec un chiffon mouillé.

Remarque : Nettoyez immédiatement l'appareil après avoir utilisé une peinture à deux composants. Si vous ne le faites pas, la peinture risque de durcir entraînant ainsi le dysfonctionnement de l'appareil.

7. Nettoyage et entretien

Danger !

Avant tout travail de nettoyage, retirez la batterie de l'appareil.

7.1 Nettoyage

- Maintenez les dispositifs de protection, les fentes d'aération et les carters de moteur aussi exempt de poussières et de saletés que possible. Frottez l'appareil avec un linge propre et net-toyez-le à l'air comprimé à basse pression.
- Nous recommandons de nettoyer l'appareil directement après chaque utilisation.
- Nettoyez l'appareil régulièrement avec un linge humide et un peu de savon doux. N'utilisez pas de détergeant ni de solvants ; ils peuvent détériorer les éléments en plastique de l'appareil. Veil-lez à ce que l'eau ne puisse pas pénétrer à l'intérieur de l'appareil. La pénétration de l'eau dans un appareil électrique augmente le risque d'une électrocution.

7.2 Entretien

L'intérieur de l'appareil ne contient pas de pièces exigeant un entretien.

8. Élimination et recyclage

L'appareil se trouve dans un emballage pour empêcher les dommages dus au transport. Cet emballage constitue une matière première et peut par conséquent être réutilisé ou peut être recyclé. L'appareil et ses accessoires sont fabriqués à partir de différents produits, comme par exemple le métal et les matières plastiques. Ne jetez pas les appareils défectueux dans les déchets ménagers. Pour être éliminé de façon appropriée, l'appareil devrait être déposé à un lieu de collecte approprié. Si vous ne connaissez aucun lieu de collecte, informez-vous auprès de l'administration municipale.

9. Entreposage

Entreposez l'appareil et ses accessoires dans un endroit sombre, sec et exempt de gel ainsi que hors la portée des enfants. La température d'entreposage optimale se situe entre 41 °F et 86 °F (5 °C et 30 °C). Entreposez l'outil électrique dans l'emballage d'origine.

Une réimpression ou toute autre reproduction de la documentation et des documents accompagnant les produits, même par extraits, ne sont autorisées qu'avec accord exprès d'Einhell Germany AG.

Sous réserve des modifications techniques.

10. Tableau des viscosités

Exemples de matériau de pulvérisation. Respectez les indications du fabricant !	Temps d'écoulement en secondes (DIN-sec)
Couches primaires diluables à l'aide de solvant	25-30
Peintures diluables à l'aide de solvant	15-30
Couches primaires diluables à l'eau	25-30
Peintures diluables à l'eau	20-25
Produits de protection du bois, décapants, huiles	non dilué
Produits désinfectants	non dilué
Couches de finition pour les véhicules	20-25

11. Plan de recherche des erreurs

Dérangement	Cause probable	Élimination
Pas d'écoulement de matériau au niveau de la buse.	<ul style="list-style-type: none"> - Buse bouchée. - Tuyau ascendant bouché. - Réglage de la quantité de matériau trop vers la gauche (-). - Tuyau ascendant desserré - Pas de pression dans le récipient. - Matériau trop épais. 	<ul style="list-style-type: none"> - Nettoyez. - Nettoyez. - Tournez vers la droite (+). - Enfichez. - Resserrez le récipient. - Diluez.
Le matériau coule au niveau de la buse.	<ul style="list-style-type: none"> - Buse desserrée. - Buse usée. - Joint de buse usé. - Du matériau solide se trouve au niveau du capuchon d'air ou de la buse. 	<ul style="list-style-type: none"> - Resserrez. - Remplacez. - Remplacez. - Nettoyez.
Pulvérisation trop grossière.	<ul style="list-style-type: none"> - Le matériau a une viscosité trop élevée. - Quantité de matériau trop importante. - Régulation de la quantité trop vers la droite (+). - Buse encrassée. - Pas assez de pression dans le récipient. 	<ul style="list-style-type: none"> - Diluez. - Tournez la régulation de la quantité vers la gauche (-). - Nettoyez. - Resserrez le récipient.
Le jet sort par saccades.	<ul style="list-style-type: none"> - Le récipient de matériau est bientôt vide. 	<ul style="list-style-type: none"> - Remplissez.
L'aspect de la couche est très clair et très irrégulier.	<ul style="list-style-type: none"> - Le pistolet à peindre est déplacé trop rapidement sur la surface à traiter. 	<ul style="list-style-type: none"> - Réduisez la vitesse de déplacement.
La peinture coule le long de l'objet.	<ul style="list-style-type: none"> - Quantité de matériau appliquée trop importante. 	<ul style="list-style-type: none"> - Tournez la régulation de la quantité vers la gauche (-).
Brouillard de peinture trop important.	<ul style="list-style-type: none"> - Distance par rapport à l'objet de pulvérisation trop importante. 	<ul style="list-style-type: none"> - Réduisez la distance de pulvérisation - Tournez la régulation de la quantité vers la gauche (-).

Peligro!

Al usar aparatos es preciso tener en cuenta una serie de medidas de seguridad para evitar lesiones o daños. Por este motivo, es preciso leer atentamente este manual de instrucciones/advertencias de seguridad. Guardar esta información cuidadosamente para poder consultarla en cualquier momento. En caso de entregar el aparato a terceras personas, será preciso entregarles, asimismo, el manual de instrucciones/advertencias de seguridad. No nos hacemos responsables de accidentes o daños provocados por no tener en cuenta este manual y las instrucciones de seguridad.

1. Instrucciones de seguridad**Peligro!**

Lea todas las instrucciones de seguridad e indicaciones. El incumplimiento de dichas instrucciones e indicaciones puede provocar descargas, incendios y/o daños graves. **Guarde todas las instrucciones de seguridad e indicaciones para posibles consultas posteriores.**

Instrucciones generales de seguridad para herramientas eléctricas

El término de "herramienta eléctrica" que se usa en las instrucciones de seguridad se refiere a las herramientas que funcionan en red (con cable de conexión) y con batería (sin cable de conexión).

1. Seguridad en el lugar de trabajo

- a) **Mantener limpia y bien iluminada la zona de trabajo.** *Las zonas de trabajo desordenadas o sin luz pueden conllevar accidentes.*
- b) **No trabajar con este aparato eléctrico en un entorno explosivo en el que se hallen líquidos, gases o polvos inflamables.** *Las herramientas eléctricas generan chispas que pueden inflamar el polvo o los vapores.*
- c) **Mantener alejados a niños y a otras personas fuera del alcance de la herramienta eléctrica.** *Las distracciones pueden hacer perder el control sobre el aparato.*

2. Seguridad eléctrica

- a) **El enchufe del aparato eléctrico debe ser el adecuado para la toma de corriente. El enchufe no debe ser modificado de ningún modo. No emplear adaptadores de enchufe con aparatos eléctricos puestos a tierra.** *Los enchufes sin modificar y las*

tomas de corriente adecuadas reducen el riesgo de una descarga eléctrica.

- b) **Evitar el contacto corporal con superficies con toma de tierra como tubos, calefacciones, fogones y frigoríficos.** *Existe un gran riesgo de descarga eléctrica si su cuerpo se halla puesto a tierra.*
 - c) **Mantener los aparatos eléctricos alejados de la lluvia o la humedad.** *Si entra agua en el aparato eléctrico existirá mayor riesgo de una descarga eléctrica.*
 - d) **No utilizar el cable de forma inadecuada, no utilizarlo para transportar el aparato, colgarlo o retirarlo de la toma de corriente. Mantener el cable alejado del calor, aceites, cantos afilados o partes del aparato en movimiento.** *Los cables dañados o mal enrollados aumentan el riesgo de descarga eléctrica.*
 - e) **Si se trabaja con una herramienta eléctrica al aire libre, emplear sólo alargaderas que también sean adecuadas para el exterior.** *El empleo de una alargadera apropiada para trabajos en el exterior reduce el riesgo de descarga eléctrica.*
 - f) **Si no se puede evitar tener que utilizar la herramienta eléctrica en un entorno húmedo, utilizar un dispositivo de protección diferencial.** *El uso de un dispositivo de protección diferencial reduce el riesgo de sufrir una descarga eléctrica.*
- 3. Seguridad de personas**
- a) **Prestar atención al trabajo, comprobar lo que se está haciendo y proceder de forma razonable durante el trabajo de una herramienta eléctrica. No emplear la herramienta eléctrica si se está cansado o bajo la influencia de drogas, alcohol o medicamentos.** *Una mínima falta de atención durante el uso de la herramienta eléctrica puede causar lesiones graves.*
 - b) **Llevar equipo de protección personal. Llevar siempre gafas protectoras.** *El equipo de protección (como mascarilla antipolvo, calzado de seguridad antideslizante, casco o protección auditiva) usado en las condiciones adecuadas sirve para reducir las lesiones personales.*
 - c) **Prevenir un arranque no intencionado. Asegurarse de que el interruptor se encuentre en la posición OFF antes de conectar la herramienta a la fuente eléctrica y/o BATERÍA, alzarla o transportarla.** *El transporte de herramientas eléctricas con el*

dedo en el interruptor o la activación de herramientas eléctricas con el interruptor en ON puede provocar accidentes.

- d) **Retirar las herramientas de ajuste o la llave antes de conectar la herramienta eléctrica.** *Una herramienta o llave que se haya olvidado en partes giratorias del aparato puede producir lesiones.*
 - e) **Evitar trabajar en una posición corporal inadecuada. Adoptar una posición segura y mantener en todo momento el equilibrio.** *Ello permite controlar mejor la herramienta eléctrica en situaciones inesperadas.*
 - f) **Llevar ropa de trabajo adecuada. No llevar ropa holgada ni joyas durante el trabajo. Mantener el cabello, la ropa y los guantes alejados de las piezas en movimiento.** *La ropa holgada, las joyas o los cabellos largos pueden ser atrapados por las piezas en movimiento.*
 - g) **Si el aparato permite instalar dispositivos de aspiración y recogida del polvo, es preciso asegurarse de que estén conectados y se empleen de forma correcta.** *La utilización de un aspirador de polvo puede reducir los peligros provocados por el mismo.*
 - h) **A pesar de estar muy familiarizado con el uso de las herramientas, no confiarse en exceso ni ignorar las normas de seguridad de la herramienta.** *Un descuido puede conllevar una lesión grave en milésimas de segundo.*
- 4. Empleo y tratamiento de la herramienta eléctrica**
- a) **No sobrecargar el aparato. Usar la herramienta eléctrica específica para cada trabajo.** *Con la herramienta eléctrica adecuada se trabaja mejor y con más seguridad permaneciendo dentro de la potencia indicada.*
 - b) **No usar ninguna herramienta eléctrica cuyo interruptor esté defectuoso.** *Una herramienta eléctrica que ya no pueda conectarse o desconectarse conlleva peligros y debe repararse.*
 - c) **Desconectar el enchufe de la toma de corriente y/o retirar la batería, si es desmontable, de la herramienta eléctrica antes de realizar cualquier ajuste, cambiar accesorios o almacenarla.** *Este tipo de medidas de seguridad preventivas sirve para reducir el riesgo de poner en marcha la herramienta eléctrica de manera involuntaria.*
 - d) **Guardar las herramientas eléctricas que no se usen fuera del alcance de los niños.**

No permitir el uso del aparato a personas que no estén familiarizadas con él o no hayan leído estas instrucciones. *Las herramientas eléctricas son peligrosas si las usan personas sin experiencia.*

- e) **Realizar el mantenimiento de las herramientas eléctricas y los accesorios. Comprobar que las piezas móviles no estén desajustadas ni atascadas, que las piezas no presenten rotura ni otras condiciones que puedan afectar al funcionamiento de la herramienta eléctrica.** *En caso de que la herramienta eléctrica esté dañada, es preciso que sea reparada antes de utilizarla de nuevo.* *Muchos accidentes se provocan a causa de un mantenimiento deficiente de la herramienta eléctrica.*
 - f) **Mantener limpias y afiladas las herramientas de corte.** *Las herramientas de corte bien cuidadas con cantos afilados se bloquean con menor frecuencia y pueden manejarse de forma más sencilla.*
 - g) **Respetar estas instrucciones cuando se desee utilizar la herramienta eléctrica, los accesorios, piezas de recambio, etc. Para ello, tener en cuenta las condiciones de trabajo y la tarea a ejecutar.** *El uso de herramientas eléctricas para otros fines diferentes a los previstos puede originar situaciones peligrosas.*
 - h) **Mantener asas y empuñaduras secas, limpias y libres de aceite y grasa.** *Las asas y empuñaduras resbaladizas impiden manejar con seguridad y controlar la herramienta en situaciones inesperadas.*
- 5. Empleo y tratamiento de la herramienta eléctrica**
- a) **Cargar la batería sólo en cargadores recomendados por el fabricante.** *Existe el peligro de incendio si se utiliza un cargador, indicado sólo para un tipo concreto de baterías, para otro tipo de baterías.*
 - b) **Utilizar sólo las baterías indicadas para la herramienta eléctrica en cuestión.** *El uso de otras baterías puede provocar daños y conllevar peligro de incendio.*
 - c) **Mantener cualquier batería que no se esté utilizando alejada de grapas, monedas, llaves, clavos, tornillos u otros objetos metálicos pequeños que podrían provocar un puenteo de los contactos.** *Un cortocircuito entre los contactos de la batería puede tener como consecuencia quemaduras o provocar fuego.*

- d) **Si se utiliza incorrectamente podría salir líquido de la batería. Evitar el contacto con el líquido. En caso de tocar accidentalmente el líquido, lavar la zona afectada con agua. Si el líquido penetra en los ojos, acudir a un médico. El líquido de la batería puede provocar irritaciones en la piel o quemaduras.**
- e) **No utilizar BATERÍAS ni herramientas que estén dañadas o modificadas. Las baterías dañadas o modificadas pueden manifestar comportamientos impredecibles que pueden dar lugar a incendio, EXPLOSIÓN o riesgo de lesión.**
- f) **No exponer una BATERÍA ni herramienta al fuego o a una temperatura excesiva. La exposición al fuego o a una temperatura superior a los 266°F (130°C) puede provocar una explosión.**
- g) **Seguir todas las instrucciones de carga y no cargar la BATERÍA ni herramienta fuera del margen de temperatura especificado en las instrucciones. Una carga inadecuada o a temperaturas fuera del margen especificado puede dañar la batería e incrementar el riesgo de incendio.**
- 6. Servicio**
- a) **Sólo especialistas cualificados deben reparar la herramienta eléctrica, empleando para ello únicamente piezas de repuesto originales. Esta forma de proceder garantiza la seguridad de la herramienta eléctrica.**
- b) **No reparar nunca BATERÍAS dañadas. La reparación de las BATERÍAS dañadas solo la puede llevar a cabo el fabricante o un distribuidor autorizado.**

Instrucciones de seguridad especiales

Con el fin de ofrecerte baterías con la máxima densidad de energía, larga duración y seguridad, prestamos el mayor cuidado en su montaje. Las celdas de la batería disponen de dispositivos de seguridad de varios niveles. En primer lugar se asigna el formato a cada celda y se registran sus características eléctricas. A continuación, estos datos se utilizan para agrupar las celdas y crear la mejores baterías. **A pesar de todas las medidas de seguridad, siempre es necesario tener precaución al utilizar baterías. Para un funcionamiento seguro es obligatorio tener en cuenta los siguientes puntos.**
¡El funcionamiento seguro sólo está garantizado si las celdas no están dañadas! Un manejo inadecuado puede dañar las celdas.

¡Atención! Los análisis confirman que un uso y un cuidado inadecuados son la principal causa de los daños provocados por baterías de alta potencia.

Advertencias sobre la batería

1. La batería del aparato no se suministra cargada. Antes de la primera puesta en marcha, es preciso recargarla por completo.
2. ¡Para que la batería trabaje de forma óptima evitar ciclos de descarga prolongados! Recargar la batería con frecuencia.
3. Guardar la batería en un lugar fresco, lo ideal son 59°F (15°C), y como mínimo cargada al 40%.
4. Las baterías de iones de litio están sujetas a un desgaste natural. ¡La batería debe ser sustituida como muy tarde cuando su rendimiento sea menor al 80% respecto a su estado cuando era nueva! Las celdas deterioradas de un conjunto de baterías envejecido no cumplen con los altos requisitos de rendimiento, representando un riesgo para la seguridad.
5. No tirar las baterías usadas al fuego. ¡Peligro de explosión!
6. No prender la batería ni exponerla al fuego.
7. **¡Evitar una descarga total de las baterías!** Este tipo de descarga daña las celdas de la batería. La causa más frecuente de la descarga total de la batería es el largo almacenamiento o la no utilización de baterías parcialmente descargadas. Terminar el trabajo en cuanto se aprecie que la potencia disminuye o se activa el sistema electrónico de protección. Almacenar la batería sólo tras haberla cargado completamente.
8. **¡Proteger las baterías y el aparato contra sobrecarga!** La sobrecarga conduce rápidamente a un sobrecalentamiento y daño de las celdas del interior de la carcasa de batería, sin que el sobrecalentamiento se perciba externamente.
9. **¡Evitar daños y golpes!** Sustituir inmediatamente las baterías que hayan caído desde una altura superior a un metro o que hayan sufrido golpes fuertes, incluso aunque la carcasa de la batería no parezca dañada. Las celdas que se encuentren en su interior podrían estar gravemente dañadas. Tener en cuenta también las indicaciones de eliminación.
10. En caso de sobrecarga y sobrecalentamiento, el circuito de protección integrado desconecta el aparato por motivos de seguridad.

¡Atención! Dejar de pulsar el interruptor On/Off cuando el circuito de protección haya desconectado el aparato. Podría dañar la batería.

11. Utilizar exclusivamente baterías originales. El uso de otras baterías puede provocar daños, así como explosión y peligro de incendio.
12. **Proteger la batería de la humedad, la lluvia y la humedad ambiental elevada.** La humedad, la lluvia y la humedad ambiental elevada pueden provocar daños peligrosos en las celdas. No cargar ni trabajar nunca con baterías que hayan estado expuestas a la humedad, la lluvia o humedad ambiental elevada, ¡reemplazarlas de inmediato!
13. Si el aparato está dotado de una batería extraíble, por motivos de seguridad será preciso extraerla una vez finalizado el trabajo.

Advertencias sobre el cargador y el proceso de carga

1. Observar los datos indicados en la placa de identificación del cargador. Conectar el cargador sólo a la tensión nominal indicada en la placa de características.
2. Proteger el cargador y el cable de daños y cantos afilados. Los cables dañados deben ser cambiados exclusivamente por un electricista profesional.
3. Mantener el cargador, las baterías y el aparato fuera del alcance de niños.
4. No emplear cargadores dañados.
5. No emplear el cargador suministrado para cargar otros aparatos a batería.
6. La batería se calienta bajo condiciones extremas de aplicación. Dejar que la batería se enfríe hasta alcanzar la temperatura ambiental antes de empezar a cargar.
7. **¡No cargar demasiado las baterías!** Respetar los tiempos de carga máximos. Estos tiempos de carga se aplican únicamente a baterías descargadas. Si una batería cargada o parcialmente cargada se conecta varias veces al cargador se produce una sobrecarga y un daño de las celdas. No deje las baterías en el cargador por más de 48 horas.
8. **No utilizar ni cargar nunca baterías si se tiene la sospecha de que la última carga de la batería puede haberse realizado hace más de 12 meses.** Existe una alta probabilidad de que la batería ya esté gravemente dañada (descarga total).
9. Cargar la batería a una temperatura de menos de 50°F (10°C) provoca daños químicos en las celdas y puede conllevar peligro de

incendio.

10. No utilizar baterías que se hayan calentado durante la carga, ya que sus celdas podrían dañarse peligrosamente.
11. Dejar de usar baterías que se hayan deformado o abombado durante la carga, o aquellas que presenten síntomas inusuales (desprendimiento de gases, zumbidos, chasquidos,...)
12. No descargar la batería por completo (nivel de descarga recomendado: máx. 80%). La descarga total provoca un envejecimiento prematuro de las celdas de la batería.
13. ¡No cargar nunca las baterías sin supervisión!

Protección contra influencias ambientales

1. Ponerse ropa de trabajo adecuada. Ponerse gafas de protección.
2. **Proteger el aparato y el cargador de la humedad y la lluvia.** Éstas podrían provocar daños peligrosos en las celdas.
3. No utilizar el aparato y el cargador cerca de vapores y líquidos inflamables.
4. Utilizar el cargador y el aparato a batería sólo si están secos y a una temperatura ambiente de 50°F-104°F (10-40 °C).
5. No guardar la batería en lugares que puedan alcanzar una temperatura superior a 104°F (40 °C), especialmente no en un vehículo aparcado al sol.
6. **¡Proteger las baterías contra un sobrecalentamiento!** La sobrecarga, carga excesiva o la radiación solar conducen a un sobrecalentamiento y al daño de las celdas. No cargar ni trabajar en ningún caso con baterías que se hayan sobrecalentado. Sustituirlas inmediatamente.
7. **Almacenamiento de baterías, cargadores y del aparato.** Guardar siempre el cargador y el aparato en habitaciones secas con una temperatura ambiente de 50°F-104°F (10-40°C). Guardar la batería de iones de litio en un lugar fresco y seco a 50°F-68°F (10-20°C). ¡Proteger de la humedad ambiental y de la radiación solar! Guardar las baterías únicamente cuando estén cargadas (mín. al 40%).
8. Evitar que la batería de iones de litio se hiele. Deshacerse de las baterías que hayan estado guardadas a 32°F (0°C) durante más de 60 minutos.
9. Llevar cuidado con la carga electrostática al manipular baterías: las descargas electrostáticas provocan daños en el sistema electrónico de protección y las celdas de la batería. ¡Evitar por ello la carga electrostática y no tocar nunca los polos de la batería!

Precaución y eliminación de la batería

Eliminación

Si su artefacto necesita ser reemplazado luego de un uso prolongado, no lo arroje a la basura doméstica. Hágalo de una forma ecológica y segura.



Los desechos producidos por máquinas eléctricas no deben ser manipulados como basura doméstica común. Recícelos donde hayan emplazamientos de reciclaje.

Consulte con las autoridades o tienda minorista de su localidad para obtener información sobre reciclaje.

Deshágase de su batería de acuerdo con los reglamentos federales, estatales y locales. Para encontrar lugares de reciclaje, comuníquese con un servicio de reciclaje en su localidad.

⚠ ¡PRECAUCIÓN! Incluso las baterías descargadas contienen algo de energía. Antes de deshacerse de éstas, use cinta aislante para cubrir los terminales y evitar que la batería haga cortocircuito, lo cual puede causar una explosión o incendio.

⚠ ¡ADVERTENCIA! Para reducir el riesgo de lesiones personales o explosión, nunca queme o incinere una batería incluso si está dañada, inservible o completamente descargada. Al ser quemada, los humos y materiales tóxicos son emitidos a la atmósfera circundante.

1. Las baterías varían de acuerdo al dispositivo. Consulte su manual para obtener la información específica.
2. Instale solo nuevas baterías del mismo tipo en su producto (donde corresponda).
3. No insertar las baterías con la polaridad correcta, tal como se indica en el compartimiento de la batería o en el manual, puede reducir el ciclo de vida útil de las baterías o causar fugas en las baterías.
4. No combine baterías nuevas con antiguas.
5. No combine baterías alcalinas, estándar (de zinc-carbono) o recargables (de níquel-cadmio, de níquel-hidruro metálico o de iones de litio).
6. No arroje las baterías al fuego. Pueden llegar a explotar.
7. Las baterías deben ser recicladas o desechadas según los reglamentos locales y estatales.

Para el envío o la eliminación de baterías o del aparato, estos deben embalsarse por separado en bolsas de plástico para evitar cortocircuitos o incendios.

Instrucciones especiales de seguridad

- Retirar la batería antes de realizar cualquier trabajo en la pistola pulverizadora.
- Solo se pueden pulverizar materiales como pinturas, barnices, esmaltes, etc. con un punto de inflamación por encima de los 131°F (55°C) sin calentamiento adicional. (Materiales de la clase de peligros A II o A III, ver lata del material.)
- Tener cuidado de los peligros que pueden originar los materiales que se pulverizan. Tener en cuenta para ello el etiquetado de los recipientes o las instrucciones indicadas por el fabricante del material.
- Tener en cuenta las instrucciones del fabricante sobre las medidas de protección de los líquidos a procesar.
- No pulverizar materiales de los que se desconozcan sus riesgos.
- Protegerse con filtros (mascarillas) para evitar aspirar niebla de pintura.
- Utilizar guantes adecuados y ropa de protección para evitar que la pintura entre en contacto con la piel.
- Utilizar protección ocular adecuada (gafas de protección).
- La sala de trabajo deberá tener más de 1060 pies cúbicos (30 m³) y se debe garantizar una buena ventilación al pulverizar y secar.
- Tener en cuenta que las pinturas y los barnices utilizados pueden ser fácilmente inflamables y explosivos. No deben existir fuentes de ignición como, p. ej., fogones, lumbre directa, cigarrillos encendidos o máquinas que generen chispas.
- No utilizar la pistola pulverizadora de pintura en las plantas que aparecen en el reglamento de protección contra explosiones.
- A la hora de pulverizar es preciso asegurar que en el entorno no exista ninguna fuente de ignición como, por ejemplo lumbre directa, humo de cigarrillos, chispas, alambres incandescentes, superficies calientes, etc.
- No utilizar la pistola pulverizadora de pintura para rociar materiales combustibles.
- No limpiar la pistola pulverizadora de pintura con disolventes combustibles.
- **¡PELIGRO DE SUFRIR LESIONES!** No apuntar la pistola pulverizadora de pintura a uno mismo, otras personas o animales.

- Observar los reglamentos y la legislación locales para eliminar correctamente los restos de pintura y productos de limpieza.
- Entregar los restos de pintura a una entidad recolectora adecuada. En caso de no conocer ninguna, será preciso informarse en el organismo responsable del municipio.
- A la hora de trabajar con la pistola pulverizadora de pintura tanto en recintos cerrados como al aire libre es preciso asegurarse de no aspirar vapores generados por el disolvente del aparato.
- Al aire libre es preciso pues tener en cuenta la dirección del viento. El viento puede hacer que el material se distribuya por grandes distancias y provocar así daños.
- No permitir que los niños manipulen el aparato.
- No abrir nunca el aparato ni realizar reparaciones eléctricas en el mismo.
- Si se pulveriza en la piel, a través del chorro pueden penetrar sustancias nocivas en el cuerpo. Consultar inmediatamente a un médico si el chorro pulverizador daña o penetra en la piel.
- Los niños no deben usar el aparato. Vigilar a los niños para asegurarse de que no jueguen con el aparato. Los niños no pueden limpiar ni realizar trabajos de mantenimiento en el aparato.
- Este aparato no deberá ser utilizado por personas cuyas capacidades estén limitadas física, sensorial o psíquicamente o que no dispongan de la experiencia o los conocimientos necesarios.

GUARDE ESTAS INSTRUCCIONES

Explicación de los símbolos empleados (véase fig. 17)

1. **Peligro!** - Leer el manual de instrucciones para reducir cualquier riesgo de sufrir daños.
2. **Cuidado! Usar protección para los oídos.** La exposición al ruido puede ser perjudicial para el oído.
3. **Cuidado! Es preciso ponerse una mascarilla de protección.** Puede generarse polvo dañino para la salud cuando se realicen trabajos en madera o en otros materiales. ¡Está prohibido trabajar con material que contenga asbesto!
4. **Cuidado! Llevar gafas de protección.** Durante el trabajo, la expulsión de chispas, astillas, virutas y polvo por el aparato pueden provocar pérdida de vista.

5. **¡Cuidado! Llevar guantes!**
6. **¡Advertencia!** Desmontar y limpiar el aparato justo después de cada uso. Solo así se podrá asegurar que las piezas del aparato portadoras de pintura se mantengan limpias y no pegajosas. Los componentes sucios pueden quedar pegajosos y causar defectos.
7. Almacenamiento de las baterías sólo en espacios secos con una temperatura ambiente entre +10 °C y +40 °C. Guardar las baterías únicamente cuando estén cargadas (mín. al 40 %).

2. Descripción del aparato y volumen de entrega

2.1 Descripción del aparato

1. Tuerca retén
2. Válvula de aire
3. Boquilla
4. Palanca de cierre
5. Disparador
6. Regulación volumen máx. pintura
7. Alojamiento de la pistola
8. Medidor de viscosidad
9. Gancho para colgar en la pared
10. Conexión del tubo ascendente
11. Tubo ascendente
12. Recipiente
13. Aguja de la boquilla
14. Unidad del disparador
15. Unidad motriz
16. Caperuza del filtro con filtro
17. Aguja de limpieza
18. Adaptador para aguja de la boquilla
19. Dispositivo de retención
20. Indicador de capacidad de batería
21. Pulsador para indicar la capacidad de batería

2.2 Volumen de entrega

Sirviéndose de la descripción del volumen de entrega, comprobar que el artículo esté completo. Si faltase alguna pieza, dirigirse a nuestro Service Center o a la tienda especializada más cercana en un plazo máximo de 5 días laborales tras la compra del artículo presentando un recibo de compra válido.

- Abrir el embalaje y extraer cuidadosamente el aparato.
- Retirar el material de embalaje, así como los dispositivos de seguridad del embalaje y para el transporte (si existen).
- Comprobar que el volumen de entrega esté

- completo.
- Comprobar que el aparato y los accesorios no presenten daños ocasionados durante el transporte.
- Si es posible, almacenar el embalaje hasta que transcurra el periodo de garantía.

Peligro!

¡El aparato y el material de embalaje no son un juguete! ¡No permitir que los niños jueguen con bolsas de plástico, láminas y piezas pequeñas! ¡Riesgo de ingestión y asfixia!

- Recipiente
- Cepillo de limpieza (sin figura)
- Aguja de limpieza
- Medidor de viscosidad
- Caperuza de cierre
- Boquilla 2,5mm, montada en el aparato (negro)
- Boquilla de repuesto 2 mm (roja)
- Manual de instrucción original con instrucción de seguridad

Accesorios disponibles por separado

18V 1.5Ah PXC batería Li-Ion
 18V 2.0Ah PXC batería Li-Ion
 18V 2.5Ah PXC batería Li-Ion
 18V 3.0Ah PXC batería Li-Ion
 18V 4.0Ah PXC batería Li-Ion
 18V 3.0Ah PXC Plus batería Li-Ion
 18V 4.0Ah PXC Plus batería Li-Ion
 18V 5.2Ah PXC Plus batería Li-Ion
 18V 4.0Ah/6.0Ah PXC Plus batería Li-Ion
 18V 5.0Ah/8.0Ah PXC Plus batería Li-Ion
 18V PXC cargador rápido de doble Puerto
 18V PXC cargador rápido

Comuníquese con su distribuidor local para obtener modelos más específicos de baterías y cargadores disponibles en su área. Explorar las opciones de batería y cargador en einhell.com


3. Uso adecuado

La máquina solo ha sido concebida para pulverizar pinturas, esmaltes, imprimaciones, barnices, barnices protectores para vehículos, decapados y protectores de madera con disolventes y solubles en agua. No está permitido pulverizar materiales alcalinos ni ácidos, materiales pulverizadores que contengan partículas, pinturas de látex ni pinturas que no goteen/salpiquen.

Utilizar la máquina sólo en los casos que se indican explícitamente como de uso adecuado. Cualquier otro uso no será adecuado. En caso de uso inadecuado, el fabricante no se hace responsable de daños o lesiones de cualquier tipo; el responsable es el usuario u operario de la máquina.

Tener en consideración que nuestro aparato no está indicado para un uso comercial, industrial o en taller. No asumiremos ningún tipo de garantía cuando se utilice el aparato en zonas industriales, comerciales o talleres, así como actividades similares.

4. Características técnicas

Alimentación de tensión de motor: 18 V 
 Máximo flujo por minuto:..... 22 fl. oz. (0.65 l/min)
 Tamaño de boquilla:..... 2.0 mm / 2.5 mm
 Viscosidad máxima:..... 60 DIN-s
 Capacidad de contenedor:..... 27 fl. oz. (800 ml)
 Peso (solo rociadora): 2.65 lb (1.2 kg)

Usar protección para los oídos.

La exposición al ruido puede ser perjudicial para el oído.

¡Reducir la emisión de ruido y las vibraciones al mínimo!

- Emplear sólo aparatos en perfecto estado.
- Realizar el mantenimiento del aparato y limpiarlo con regularidad.
- Adaptar el modo de trabajo al aparato.
- No sobrecargar el aparato.
- En caso necesario dejar que se compruebe el aparato.
- Apagar el aparato cuando no se esté utilizando.

Cuidado!

Riesgos residuales

Incluso si esta herramienta se utiliza adecuadamente, siempre existen riesgos residuales. En función de la estructura y del diseño de esta herramienta eléctrica pueden producirse los siguientes riesgos:

1. Lesiones pulmonares en caso de que no se utilice una mascarilla de protección antipolvo.
2. Lesiones auditivas en caso de que no se utilice una protección para los oídos adecuada.
3. Daños a la salud derivados de las vibraciones de las manos y los brazos si el aparato

se utiliza durante un largo periodo tiempo, no se sujeta del modo correcto o si no se realiza un mantenimiento adecuado.

5. Antes de la puesta en marcha

5.1 Montaje de la pistola pulverizadora (fig. 2/3/4)

- La unidad del disparador (14) está conectada a la unidad motriz (15) a través de un cierre de bayoneta del alojamiento de la pistola (7).
- Abrir la palanca de cierre (4).
- Introducir la unidad del disparador (14) girándola en el alojamiento de la pistola (7).
- Cerrar la palanca de cierre.
- Introducir el tubo ascendente (11) en la conexión prevista para ello (10)
- Atornillar el recipiente a la unidad del disparador

5.2 Cómo cargar la batería de litio (no incluido en el volumen de entrega)

Las instrucciones correspondientes se encuentran en el manual de instrucciones original del cargador.

5.3 Indicador de capacidad de batería (fig. 16/pos. 20)

Pulsar el interruptor para acceder al indicador de capacidad de la batería (21). El indicador de capacidad de batería (20) le indica el estado de carga de la batería sirviéndose de 3 LEDs.

Los 3 LED están iluminados:

La batería está completamente cargada.

2 o 1 LED están iluminados

La batería dispone de suficiente carga residual.

1 LED parpadea:

La batería está vacía, es preciso cargarla.

Si todos los LED parpadean:

La temperatura de la batería es demasiado baja. Quitar la batería del aparato y dejarla durante un día a temperatura ambiente. Si vuelve a aparecer el fallo, la batería se ha descargado completamente y está defectuosa. Quitar la batería del aparato. Está prohibido emplear o cargar una batería defectuosa.

6. Manejo

¡Aviso!

Tener en cuenta las instrucciones del fabricante sobre las medidas de protección de los líquidos a procesar. Utilizar mascarillas, guantes y ropa de protección adecuados.

6.1 Preparación del material

Para procesarlas con la pistola pulverizadora de pintura, será preciso normalmente diluir las pinturas. Las latas del material no siempre incluyen la información necesaria para disolverlo de manera que sea apto para el pulverizado. Por lo tanto, orientarse por la tabla de viscosidad. (Viscosidad = consistencia del material)

6.1.1 Medición de la viscosidad (fig. 5)

1. Antes de proceder a la medición es preciso remover bien el material.
2. El medidor de viscosidad (8) se debe de insertar completamente en el material.
3. A continuación, elevar el medidor de viscosidad (8) de la mezcla y parar el tiempo que el líquido necesita para pasar completamente. En cuanto el hilo se desprenda es preciso detener el tiempo. Repetir este proceso hasta lograr la viscosidad necesaria.

Esto es el „**Tiempo de derrame en segundos**“ (ver 10. Tabla de viscosidades)

6.1.2 Diámetro de las boquillas

El tamaño de la boquilla y de la aguja de la boquilla a utilizar depende de la viscosidad del material. En función de la viscosidad, utilizar la boquilla de Ø 2,0 mm (color rojo, para poca viscosidad) o la boquilla de Ø 2,5 mm (color negro, para mayo viscosidad). La aguja de la boquilla en el aparato está indicada para los dos diámetros.

6.2 Cómo trabajar con la pistola pulverizadora de pintura (fig. 6)

¡Advertencia! Cubrir con material aislante todas las superficies que no se desean pulverizar, también más allá de las inmediaciones del lugar de trabajo. Cabe la posibilidad de que se produzca una nube de pintura que se desplace por el entorno y se deposite en las superficies.

- Enroscar el recipiente (12) de la pistola pulverizadora de pintura.
- En función del procesado, el tubo ascendente (11) se deberá orientar.
- Pulverizado en objetos tumbados: Girar el

- tubo ascendente (11) hacia delante.
- Pulverizado en objetos elevados: Girar hacia atrás el tubo ascendente (11).
 - No pulverizar nunca hasta que el recipiente se quede totalmente vacío. Cuando el tubo ascendente ya no esté inmerso en el material de pulverizado, se detiene el chorro y el resultado es una superficie no uniforme.
 - Si se ha realizado la medición de la viscosidad según lo indicado en el apartado 6.1.1, poner el recipiente (12) sobre un papel y rellenarlo del material preparado, a continuación, enroscar el recipiente (12) a la pistola pulverizadora de pintura.
 - Depositar la pistola pulverizadora de pintura solo sobre una superficie plana y limpia. De lo contrario, se podría volcar.
 - Después de cada limpieza (ver 7.1) o cambio en la forma del chorro (ver 6.3), apretar la tuerca retén (1) para evitar que se derrame la pintura entre dicha tuerca y la caperuza de aire (2).

6.3 Ajuste del aspecto deseado del pulverizado (fig. 7)

En la pistola pulverizadora de pintura se pueden ajustar tres formatos distintos de pulverización. Aflojar la tuerca retén (1) y girar la caperuza de aire (2) a la posición deseada. A continuación, volver a apretar de tuerca retén.

Selección aspecto del pulverizado:

A: chorro en abanico vertical
-> para superficies horizontales

B: chorro en abanico horizontal
-> para superficies verticales

C: chorro vertical
-> para esquinas y aristas, así como para superficies de difícil acceso

¡Peligro de accidente!

No activar nunca el disparador mientras se esté ajustando el chorro.

6.4 Ajuste de la cantidad de material (fig. 8)

La cantidad de material se puede ajustar en la regulación de volumen (6) simplemente girándola.

Dirección - -> menos cantidad
Dirección + -> más cantidad

6.5 Técnicas de pulverizado

- El resultado de pulverizado depende principalmente de lo lisa y limpia que esté la superficie. Por este motivo es preciso preparar cuidadosamente la superficie y estar libre de polvo.
- Cubrir las superficies, roscas o similares que no se deseen pulverizar.
- Utilizar un cartón o similar como base. En dicho cartón se puede también realizar una prueba de pulverizado para fijar el ajuste adecuado.

Importante:

Empezar pulverizando fuera de la superficie deseada y evitar interrupciones dentro de la superficie que se desea pulverizar.

- Incorrecto (fig. 9): si solo inclina la pistola pulverizadora de pintura se genera una niebla de pintura y la calidad de la superficie no será homogénea.
- Corrector (fig. 10): mantener la pistola pulverizador a una distancia constante de 2-6" (5-15 cm) con respecto de la superficie a pulverizar.
- Mover la pistola de manera homogénea hacia arriba y abajo en función del ajuste del pulverizado.
- Si se mueve la pistola de manera homogénea se obtendrá una calidad uniforme de la superficie.
- Si quedan restos de material en la boquilla (3) o en la caperuza de aire (2), limpiar las dos piezas con disolvente o agua.

6.6 Puesta fuera de servicio y limpieza (fig. 1-2, 11-15)

¡Peligro!

Quitar la batería antes de realizar cualquier trabajo de limpieza.

1. Presionar a continuación el disparador (5) para que el resto de contenido en el recipiente (12) retroceda.
2. Desenroscar el recipiente (12) y devolver el resto de material a su lata.
3. Limpiar a continuación el recipiente (12) y el tubo ascendente (11) con un pincel.
4. Vierta el disolvente o el agua en el recipiente. Dependiendo de la base del material que esté utilizando. Volver a enroscar el recipiente. Utilizar exclusivamente disolventes con un punto de ignición superior a los 131° F (55°C).
5. Volver a introducir la batería y encender la pistola pulverizadora de pintura. Ajustar la

- regulación de volumen (6) al máximo. Pulverizar el disolvente o agua en un recipiente o paño, nunca en el entorno.
6. Repetir el proceso anterior hasta que de la boquilla (3) solo salga agua o disolvente limpio.
 7. Apagar primero la pistola pulverizadora de pintura y retirar la batería.
 8. A continuación, vaciar completamente el recipiente (12). Mantener el recipiente (12) siempre libre de restos de material y controlar que no presente daños.
 9. Limpiar la pistola pulverizadora de pintura y el recipiente (12) por fuera con un paño impregnado en disolvente o agua.
 10. Desenroscar la tuerca retén (1) y quitar la caperuza de aire (2). Sacar a continuación la boquilla (3). Poner el adaptador de la aguja de la boquilla (18) en la aguja (13). Girarlo luego y sacar así la aguja. Limpiar la tuerca retén, la caperuza de aire, la boquilla y la aguja de la boquilla con un pincel y disolvente o agua.
 11. Para limpiar el filtro de aspiración de aire es preciso retirar la caperuza del filtro (16). Quitar el filtro y limpiarlo soplándolo. Volver a colocar el filtro y atornillar la caperuza del filtro en el aparato. No utilizar nunca el aparato sin filtro.
 12. Volver a colocar la aguja de la boquilla. Apretar el disparador y poner la boquilla en la aguja de la boquilla. Al colocarlas, asegurarse de que las personas en los laterales de la aguja miren hacia arriba/abajo y no hacia la derecha e izquierda. Apretar el disparador mientras se coloca la caperuza de aire en la boquilla y apretarla con la tuerca retén.
 13. Asegurarse de que la pistola pulverizadora de pintura esté bien seca antes de guardarla.
 14. Observar los reglamentos y la legislación locales para eliminar correctamente los restos de pintura y productos de limpieza. Entregar los restos de pintura y de productos de limpieza a una entidad recolectora adecuada. En caso de no conocer ninguna, será preciso informarse en el organismo responsable del municipio.

¡Aviso!

No mantener la pistola pulverizadora de pintura nunca debajo del agua ni sumergirla en líquido. Limpiar la carcasa solo con un paño impregnado.

Advertencia: Si se trabaja con pinturas de 2 componentes, limpiar el aparato de inmediato. De lo contrario, se podrían endurecer las pinturas en el aparato y, con ello, provocar defectos.

7. Mantenimiento y limpieza

Peligro!

Desenchufar la batería antes de realizar trabajos de limpieza.

7.1 Limpieza

- Reducir al máximo posible la suciedad y el polvo en los dispositivos de seguridad, las rendijas de ventilación y la carcasa del motor. Frotar el aparato con un paño limpio o soplarlo con aire comprimido manteniendo la presión baja.
- Se recomienda limpiar el aparato tras cada uso.
- Limpiar el aparato con regularidad con un paño húmedo y un poco de jabón blando. No utilizar productos de limpieza o disolventes ya que se podrían deteriorar las piezas de plástico del aparato. Es preciso tener en cuenta que no entre agua en el interior del aparato. Si entra agua en el aparato eléctrico existirá mayor riesgo de una descarga eléctrica.

7.2 Mantenimiento

No hay que realizar el mantenimiento a más piezas en el interior del aparato.

8. Eliminación y reciclaje

El aparato está protegido por un embalaje para evitar daños producidos por el transporte. Este embalaje es materia prima y, por eso, se puede volver a utilizar o llevar a un punto de reciclaje. El aparato y sus accesorios están compuestos de diversos materiales, como, p. ej., metal y plástico. Los aparatos defectuosos no deben tirarse a la basura doméstica. Para su eliminación adecuada, el aparato debe entregarse a una entidad recolectora prevista para ello. En caso de no conocer ninguna, será preciso informarse en el organismo responsable del municipio.

9. Almacenamiento

Guardar el aparato y sus accesorios en un lugar oscuro, seco, protegido de las heladas e inaccesible para los niños. La temperatura de almacenamiento óptima se encuentra entre los 41°F y 86°F (5 y 30 °C). Guardar la herramienta eléctrica en su embalaje original.

Sólo está permitido copiar la documentación y documentos anexos del producto, o extractos de los mismos, con autorización expresa de Einhell Germany AG.

Nos reservamos el derecho a realizar modificaciones técnicas

10. Tabla de viscosidades

Ejemplos de material a pulverizar. ¡Tener en cuenta los datos del fabricante!	Tiempo de derrame en segundos (DIN-s)
Imprimaciones solubles en disolvente	25-30
Pinturas solubles en disolventes	15-30
Imprimaciones solubles en agua	25-30
Pinturas solubles en agua	20-25
Protector de madera, decapados, aceites	sin diluir
Desinfectante	sin diluir
Barnices protectores para vehículos	20-25

11. Plan para localización de averías

Avería	Posibles causas	Solución
No sale material por la boquilla	<ul style="list-style-type: none"> - Boquilla atascada. - Tubo ascendente atascado. - Ajuste del volumen de material excesivo o girado hacia la izquierda (-). - Tubo ascendente suelto. - No hay presión en el recipiente. - Material demasiado viscoso 	<ul style="list-style-type: none"> - Limpiar - Limpiar - Girar a la derecha (+) - Introducir - Apretar el recipiente - Diluir
El material gotea de la boquilla	<ul style="list-style-type: none"> - Boquilla suelta. - Boquilla desgastada. - Junta de la boquilla desgastada. - Hay material seco en la caperuza de aire o en la boquilla. 	<ul style="list-style-type: none"> - Apretar - Cambiar - Cambiar - Limpiar
Nebulización demasiado gruesa	<ul style="list-style-type: none"> - El material es muy viscoso. - Cantidad de material excesiva. - Regulación de volumen girada en exceso hacia la derecha (+). - Boquilla sucia. - Insuficiente presión en el recipiente. 	<ul style="list-style-type: none"> - Diluir - Girar la regulación de volumen hacia la izquierda (-). - Limpiar - Apretar el recipiente
El chorro pulverizador circula con pulsaciones	<ul style="list-style-type: none"> - El material del recipiente se está acabando. 	<ul style="list-style-type: none"> - Rellenar
La prueba de recubrimiento es demasiado clara e irregular	<ul style="list-style-type: none"> - La pistola pulverizadora de pintura se mueve con demasiada rapidez sobre la superficie a pulverizar. 	<ul style="list-style-type: none"> - Reducir la velocidad de los movimientos
La pintura se oscurece del objeto	<ul style="list-style-type: none"> - Se ha aplicado demasiado material 	<ul style="list-style-type: none"> - Girar la regulación de volumen hacia la izquierda (-).
Niebla de pintura excesiva	<ul style="list-style-type: none"> - Distancia al objeto excesiva 	<ul style="list-style-type: none"> - Reducir la distancia de pulverización - Girar la regulación de volumen hacia la izquierda (-).



A series of horizontal lines for writing, starting from the second line of the ruled page and continuing down to the bottom of the page.



www.Einhell.com

EH 04/2022 (01)