

## Laser – Circular Hand Saw PS-HKS 1600 - Laser

Art.-No.: **44.710.63**

Bar code: 4006825512915

Sales unit: 2 pcs

Handy and powerful **Laser**- circular saw just right for heavy duty. The PS-HKS 1600 Laser is the ideal power tool by laser beam for precise ripping- and cross-cuts of boards, wooden lumber, hardboard- and chipboards panels. The housing is made of impact resistant plastics. The saw blade – protection hood is made of aluminium. The circular hand saw is equipped with a soft start drive for soft start. With the additional spindle lock you can change the saw blade trouble-free. You need only an Allen key

### Features:

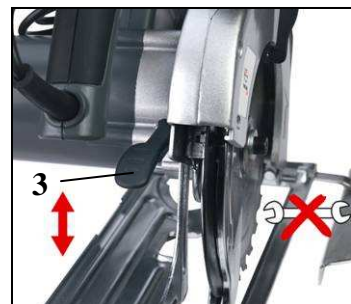
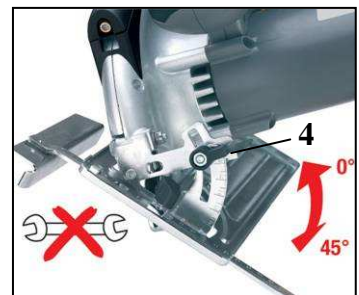
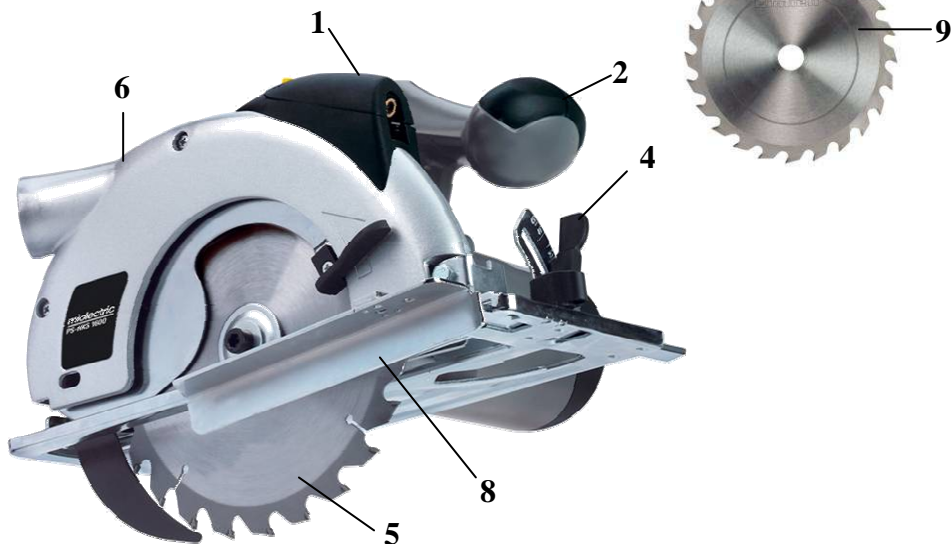
- **Laser module (1)**
- Softstart
- Ergonomical handle (2)
- Tool-less cutting depth adjustment (3)
- Tool-less saw table adjustment (4)
- Carbide tipped saw blade (5)
- Saw blade protection housing made of aluminium (6)
- Spindle lock (7)
- Parallel stop (8)
- **Soft-painted housing surface**

### Technical data:

- |                         |                                 |
|-------------------------|---------------------------------|
| - Mains:                | 230 V ~ 50 Hz                   |
| - Power:                | 1600 watts                      |
| - Idle speed:           | 4.500 min <sup>-1</sup>         |
| - Cutting depth at 90°: | 66 mm                           |
| - Cutting depth at 45°: | 47 mm                           |
| - Saw blade:            | Ø 190 x Ø 20 x 2,5 mm, 24 teeth |
| - Laser class:          | II                              |
| - Main cable length:    | 3 m                             |
| - Weight:               | 8.7 kg                          |
| - Packing dimension:    | 520 x 300 x 385 mm              |

### Standard Accessories:

- 2 batteries for laser module
- Additional carbide tipped saw blade, 24 teeth (9)
- transport and storage case



As special accessory available:

**Carbide tipped saw blade**  
Ø 190 x Ø 20 x 2,8mm; 24 teeth

Art.-no.: **45.020.86**  
bar-code: 4006825 506792

Abbildungen können nicht im Serien-Lieferumfang enthaltenes Zubehör darstellen / Illustrations can contain accessories, which are not included in standard extent of delivery.

Abbildungen ähnlich, produktionsbedingte Abweichung vorbehalten / Illustration similar (in design), production-wise modifications reserved

File: G:\Webshop\T-Produktbeschreibung\60\Originale\_Englisch\_PA04\4471063\_01015.doc

Erstelldatum / create date: 28.07.2005 10:28

Aktualisiert / up dated: 24.08.2005