

Small size, big performance!

**Einhell**®

**NEW GENERATION**



The SB 501/1 precision pillar drill is equipped with a V-belt drive, a continuously height-adjustable, tilting and laterally pivoting drilling table, a ball-raced drill spindle, an adjustable bottom stop, an ON/OFF switch with no-load function, a contact switch in the V-belt housing, and a folding eye shield.

**Drilling speed can be adjusted to meet the requirements of any material thanks to the 9-fold rotation speed graduation.**



## SB 501/1 Pillar Drill

Available as special accessory:

Vice:

Art. No.: 42.257.06

Ident. No.: 00010

Bar Code: 4006825 421002



### Logistic Information:

<b>Type:</b>	<b>SB 501/1</b>	<b>Sales unit:</b>	1 pc
<b>Art. No.:</b>	42.505.30	<b>20`:</b>	540 pcs
<b>Ident. No.:</b>	01027	<b>40`:</b>	-- pcs
<b>Bar Code:</b>	4006825 505030	<b>40`HC:</b>	-- pcs
<b>Packing:</b>	515x385x245 mm	<b>Weight:</b>	22.5 kgs (gross)



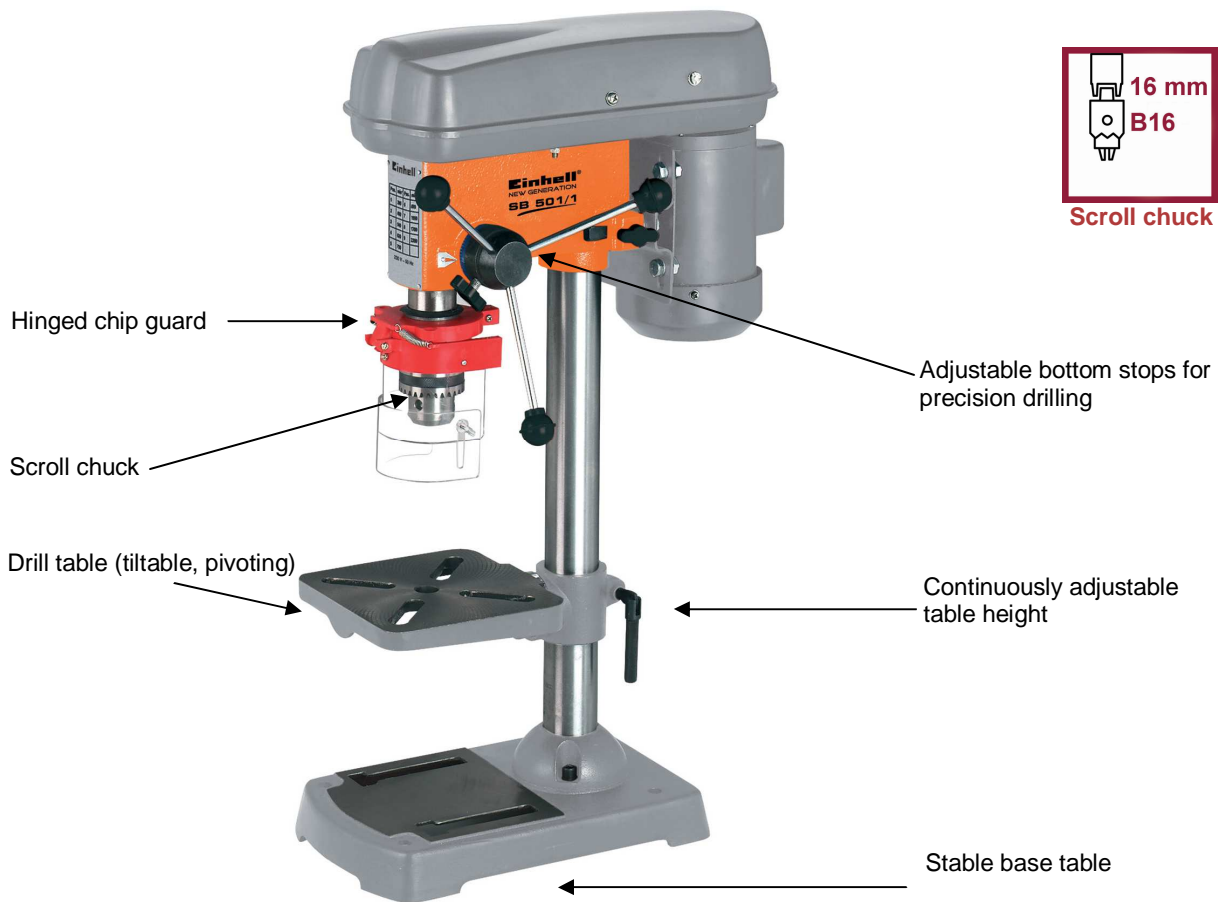
Abbildungen können nicht im Serien-Lieferumfang enthaltenes Zubehör darstellen / Illustrations may contain accessories not included in the standard scope of delivery. Abbildungen ähnlich, produktionsbedingte Abweichung vorbehalten / Illustrations will be similar (in design), production-related modifications reserved without prior notice.

File: S:\shared-pool\Product-Dokumentation\T-Produktbeschreibung\30\_n0\Originale\_Englisch\_PA04\4250530\_01027.doc  
 Erstelldatum/create date: 12.12.2007 15:44:00Aktualisiert/up dated: 12.12.2007

Small size, big performance!

**Einhell**®

**NEW GENERATION**



**Features:**

- Adjustable bottom stops for precision drilling
- 9-fold speed graduation 280 – 2,350 min<sup>-1</sup>
- Ball-raced drill spindle
- ON/OFF switch with zero voltage-releasing
- Continuously adjustable table height
- Scroll chuck
- Hinged chip guard
- Drill table (tiltable, pivoting)

**Technical Data:**

- Mains: 230V ~ 50 Hz
- Power: 500 watts (S2 15 min.)
- Motor speed: 1,400 min<sup>-1</sup>
- Spindle speed: 9 step 280 – 2,350 min<sup>-1</sup>
- Drill table tilt: -45° to + 45
- Scroll chuck: Ø 3 to 16 mm
- Drill chuck mount: B16
- Throat: 115 mm
- Max. drill depth: 50 mm
- Pillar diameter: 46 mm
- Size of base table: 315 x 195 mm
- Size of drill table: 170 x 170 mm
- Height: 650 mm

**Logistic Information:**

<b>Type:</b>	<b>SB 501/1</b>	<b>Tool:</b>	<b>Pillar Drill</b>
<b>Art. No.:</b>	42.505.30	<b>Sales unit:</b>	1 pc
<b>Ident. No.:</b>	01027	<b>20`:`:</b>	540 pcs
<b>Bar Code:</b>	4006825 505030	<b>40`:`:</b>	-- pcs
<b>Packing:</b>	515x385x245 mm	<b>40```HC:</b>	-- pcs
		<b>Weight:</b>	22.5 kgs (gross)



Abbildungen können nicht im Serien-Lieferumfang enthaltenes Zubehör darstellen / Illustrations may contain accessories not included in the standard scope of delivery. Abbildungen ähnlich, produktionsbedingte Abweichung vorbehalten / Illustrations will be similar (in design), production-related modifications reserved without prior notice.

File: S:\shared-pool\Product-Dokumentation\T-Produktbeschreibung\30\_n0\Originale\_Englisch\_PA04\4250530\_01027.doc  
 Erstelldatum/create date: 12.12.2007 15:44:00Aktualisiert/up dated: 12.12.2007