

Radial Tile Cutting Machine YPL 201

Art.-No.: **43.012.56**

Bar code: 4006825531312

Sales unit: 1 pc

The radial tile cutting machine can be mounted quickly on the serial type support stand and is therefore suitable for mobile as well as stationary service.

With its unit one can cut wall- and floor tile, split tiles etc. Angle and double mitre cuts are possible and also Jolly cuts.

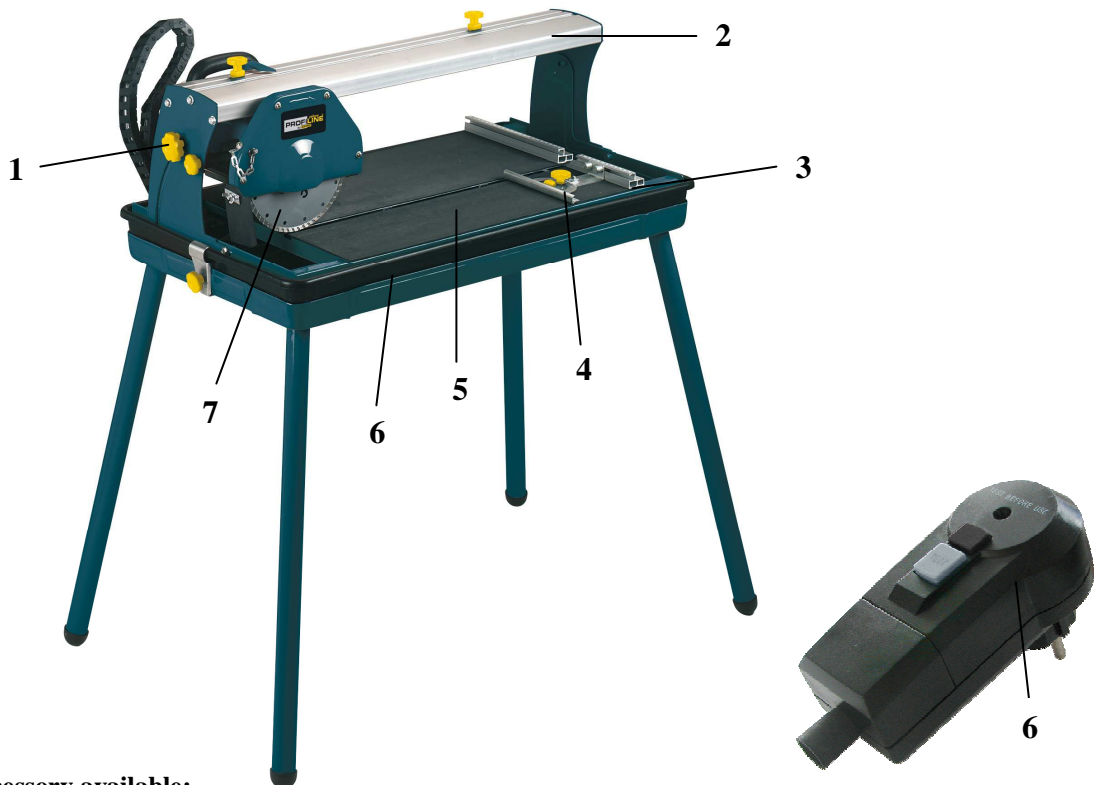
The diamond cutting disc is cooled with the integrated pump for cooling liquids and an almost dust free operation is possible.

Features:

- Motor guidance settings 0° - 45° and tilting (1)
- Motor setting 4-fold ball bearings (2)
- Sturdy aluminium guide rail (3)
- Angle stop with scale for exact cuts (4)
- Working table with rubber mat (5)
- Large water pan (6)
- Diamond disc
- Integrated water pump (7)
- **RCD-Plug (6)**

Technical Data:

- | | |
|------------------------|---------------------------|
| - Mains: | 230 V ~ 50 Hz |
| - Power: | 800 watts |
| - Idle speed n_0 : | 3000 min ⁻¹ |
| - Working table: | 570 x 385 mm |
| - Working height: | 700 mm |
| - Cutting depth max.: | 90° - 30 mm / 45° - 25 mm |
| - Cutting length max.: | 520 mm |
| - Mitre cuts: | 0° - 45° |
| - Diamond disc: | Ø 200 x Ø 25.4 mm |
| - Insulation class: | IP 54 |
| - Weight: | 33.35 kg |
| - Packing dimensions: | 890 x 490 x 370 mm |



As special accessory available:

Diamond Disc
Ø 200 x Ø 25.4 mm

Art.-No.: **43.011.75**
Bar code: 4006825434361



Abbildungen können nicht im Serien-Lieferumfang enthaltenes Zubehör darstellen // Illustrations can contain accessories, which are not included in standard extent of delivery.

Abbildungen ähnlich, produktionsbedingte Abweichung vorbehalten // Illustration similar (in design), production-wise modifications reserved

File: S:\shared-pool\Product-Dokumentation\T-Produktbeschreibung\30_n0t\Originale_Englisch_PA04\4301256_01016.doc

Erstelldatum / create date: 05.07.2006 08:50:00

Aktualisiert / up dated: 05.09.2006