

GARDENLINE®

25cc Petrol Brush Cutter

User Guide



After Sales Support

Now you have purchased a Gardenline® product you can rest assured in the knowledge that as well as your 1 year parts and labour guarantee you have the added peace of mind of dedicated helplines and web support.



GARDENLINE®

25cc Petrol Brush Cutter

Warranty Details

The product is guaranteed to be free from defects in workmanship and parts for a period of 12 months from the date of purchase. Defects that occur within this warranty period, under normal use and care, will be repaired, replaced or refunded at our discretion. There will be no returns accepted with products containing fuel. The benefits conferred by this warranty are in addition to all rights and remedies in respect of the product that the consumer has under the Competition and Consumer Act and similar state and territory laws.

Our goods come with guarantees that cannot be excluded under the Australian Consumer Law. You are entitled to a replacement or refund for a major failure and for compensation for any other reasonably foreseeable loss or damage. You are also entitled to have the goods repaired or replaced if the goods fail to be acceptable quality and the failure does not amount to a major failure.

Please note: No returns to stores will be accepted with products containing fuel.

After Sales Support

Telephone: 1300 922 271

Email: service.australia@einhell.com



AFTER SALES SUPPORT



1300 922 271



service.australia@einhell.com

Contents

10	Safety Information
10	Layout
10	Items Supplied
13	Intended Use
13	Technical Data
13	Before Starting The Equipment
15	Operations
16	Cleaning, Maintenance and Ordering Spare Parts
17	Storage and Transport
18	Disposal and Recycling
19	Troubleshooting

What your 1 year warranty means

Congratulations on choosing to buy a Gardenline® product. By doing so you now have the assurance and peace of mind that comes with purchasing a product made by one of Australia's leading suppliers.

All products brought to you by Gardenline® are manufactured to the highest standards of performance and safety, and, as part of our philosophy of customer service and satisfaction, are backed by our comprehensive 1 Year Guarantee.

Please fill in and return the Guarantee Card to the address provided.

We hope you will enjoy using your purchase for many years to come.

AFTER SALES SUPPORT

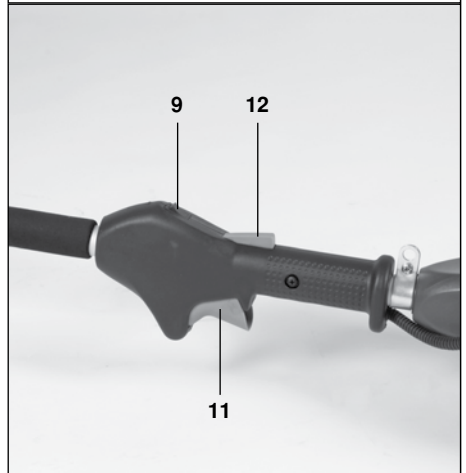
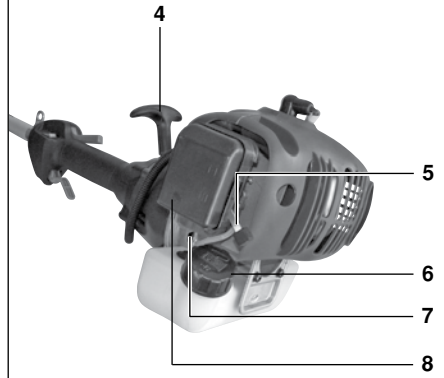
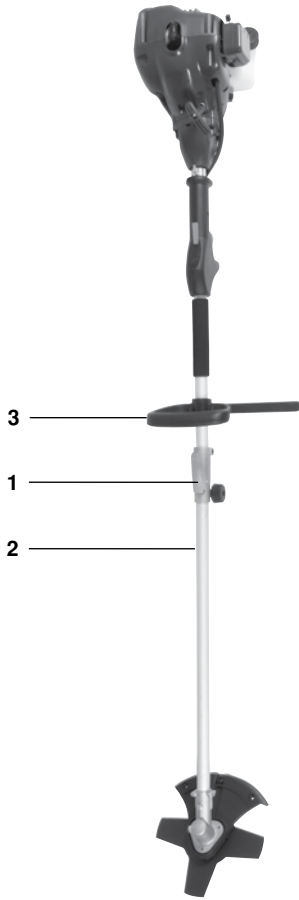


1300 922 271

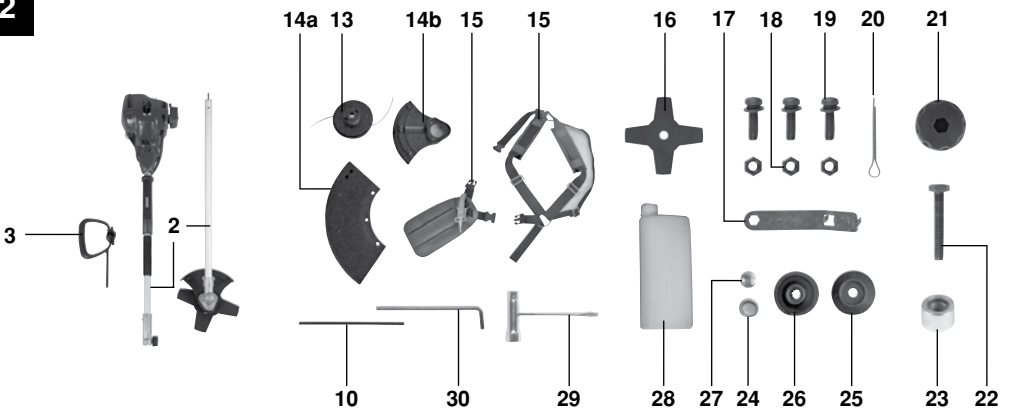


service.australia@einhell.com

1



2



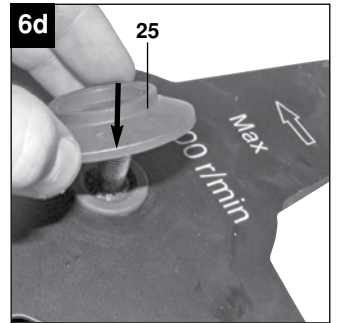
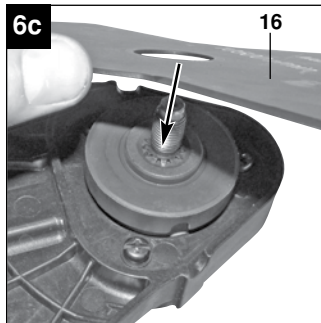
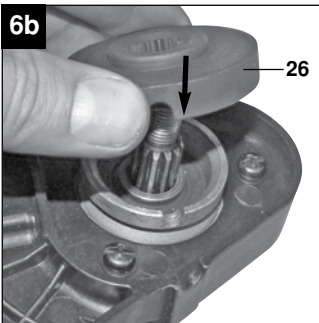
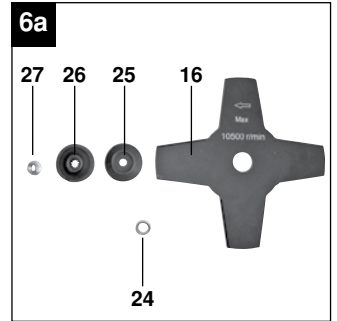
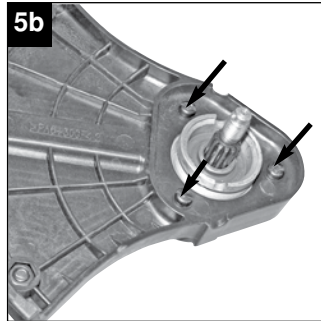
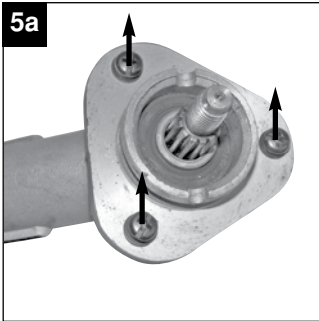
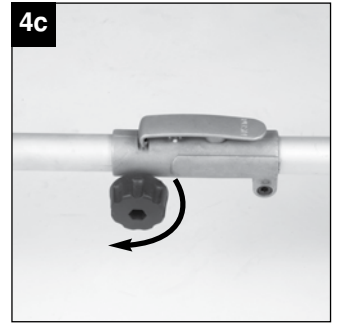
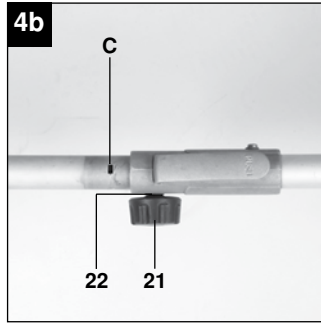
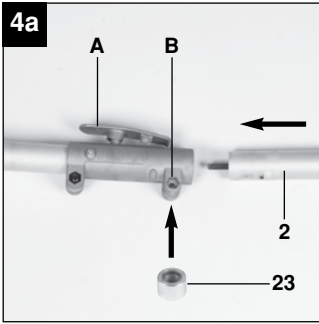
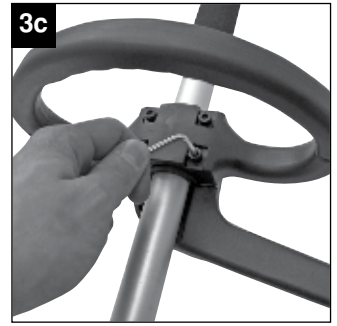
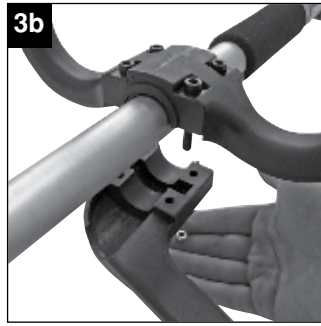
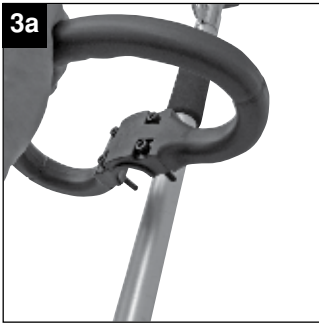
AFTER SALES SUPPORT



1300 922 271



service.australia@einhell.com



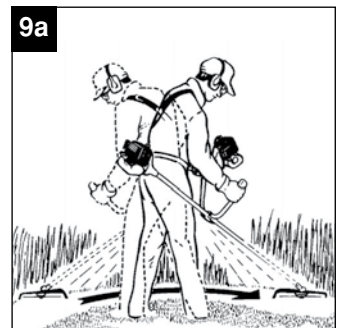
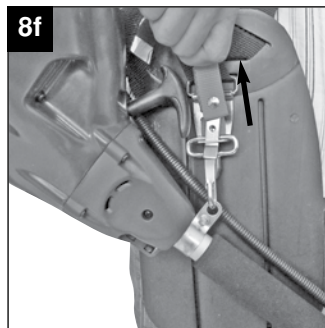
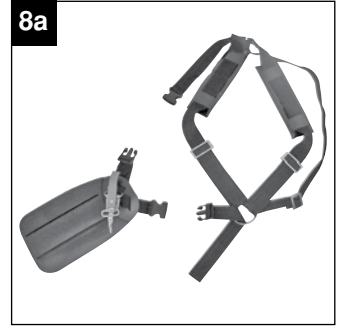
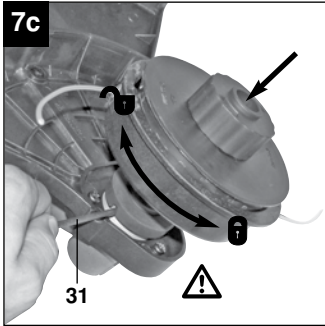
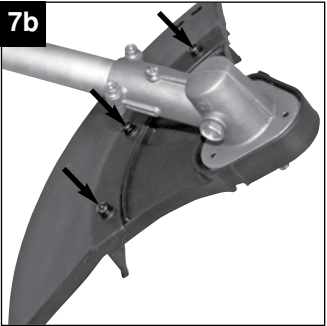
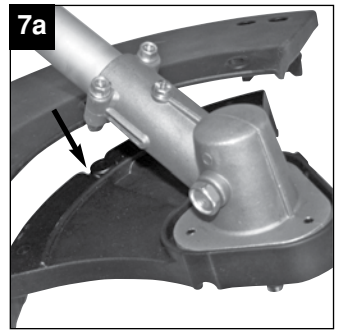
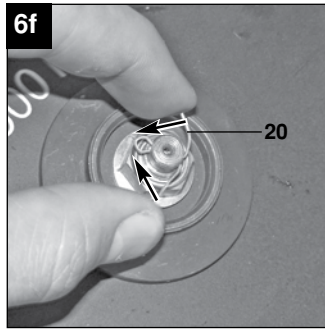
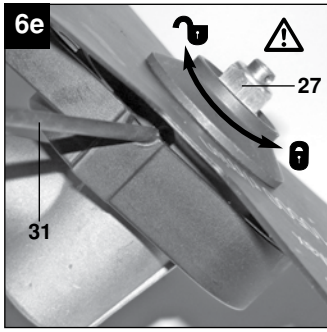
AFTER SALES SUPPORT



1300 922 271



service.australia@einhell.com



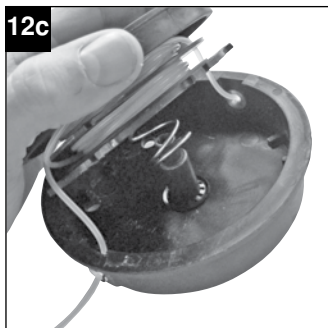
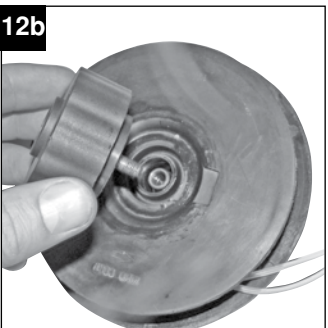
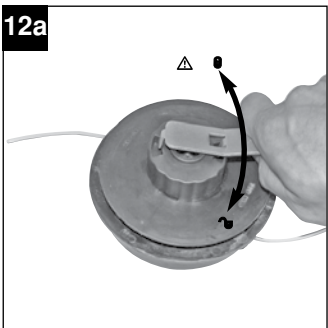
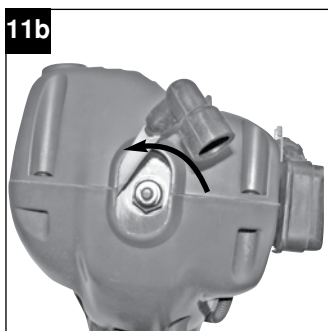
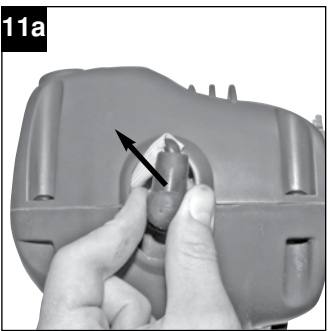
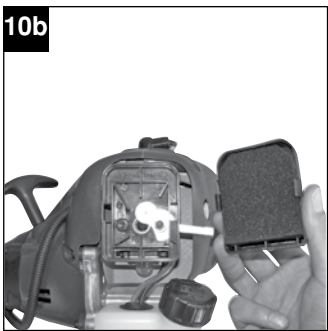
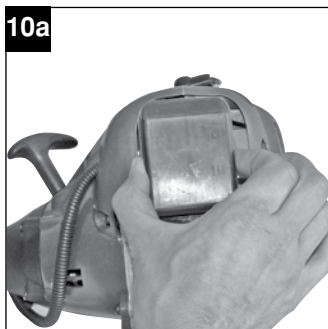
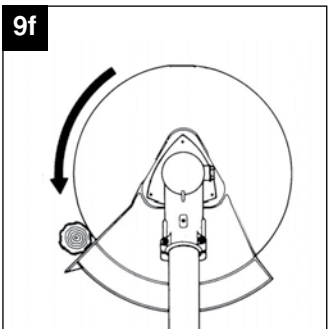
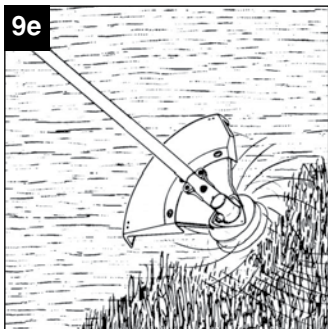
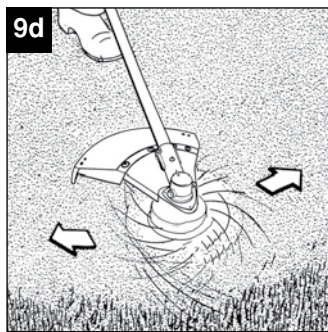
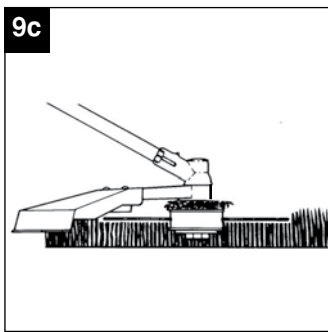
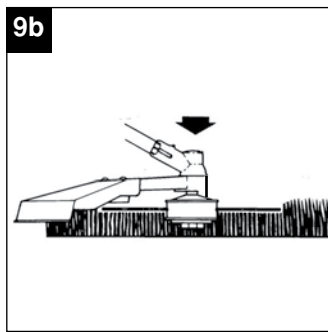
AFTER SALES SUPPORT



1300 922 271



service.australia@einhell.com



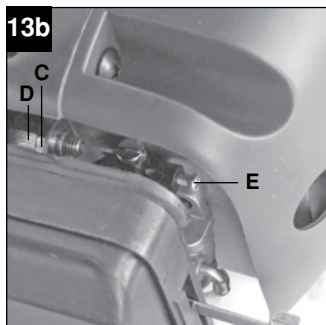
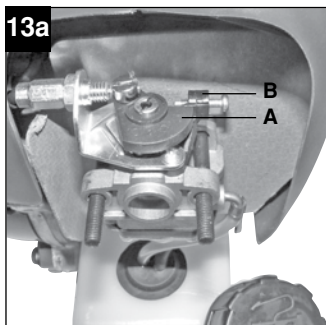
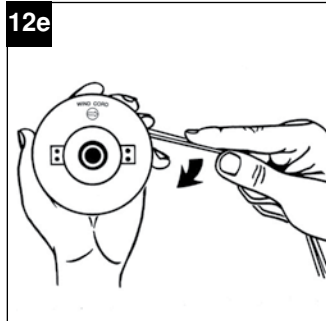
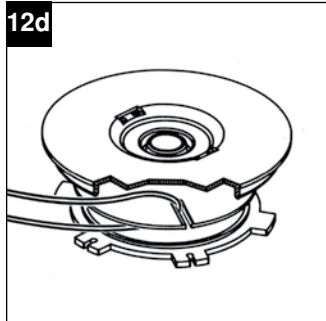
AFTER SALES SUPPORT



1300 922 271



service.australia@einhell.com





1



2



3



4



5



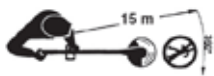
6



7



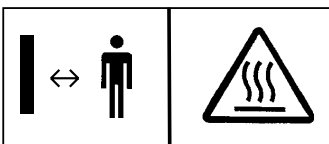
8



9



10



11

AFTER SALES SUPPORT



1300 922 271



service.australia@einhell.com

Important!

When using equipment, a few safety precautions must be observed to avoid injuries and damage. Please read the complete operating manual with due care. Keep this manual in a safe place, so that the information is available at all times. If you give the equipment to any other person, give them these operating instructions as well. We accept no liability for damage or accidents which arise due to non-observance of these instructions and the safety information.

Safety Information

1

CAUTION!

Read all safety regulations and instructions. Any errors made in following the safety regulations and instructions may result in an electric shock, fire and/or serious injury.

Keep all safety regulations and instructions in a safe place for future use.

Safety Devices

When working with the equipment, the appropriate plastic guard hood for cutting blade mode or cutting line mode must be fitted to prevent objects being thrown out by the equipment. The integrated blade in the cutting line guard hood automatically cuts the line to the optimum length.

Explanation of the information signs on the equipment:

1. **Warning:**
2. Read the directions for use before operating the equipment.
3. Wear safety goggles, a face guard and ear protection.
4. Wear sturdy, non-slip footwear.
5. Wear safety gloves.
6. Protect the equipment from rain and damp.
7. Be careful of objects being thrown out!
8. Always switch off the equipment and pull out the spark boot plug before carrying out any maintenance work.
9. All bystanders must be kept at least 15m from the equipment.
10. The tool continues to rotate!
11. Caution: Hot equipment parts. Keep your distance.

Safety Information

1. Read the directions with due care. Familiarise yourself with the settings and proper operation of the machine.
2. Never allow children or other persons who are not familiar with the operating instructions to use the petrol power scythe. Contact your local

governmental agency for information regarding minimum age requirements for operating the petrol power scythe.

3. Never mow in the direct vicinity of persons - especially children - or animals.

Warning:

Maintain a safety distance of 15m. If approached, switch off the appliance immediately.

Always keep in mind that the machine operator or user is responsible for accidents involving other persons and/or their property.

Preliminary measures

1. Always wear sturdy, non-slip footwear and long trousers when mowing.
2. Check the grounds on which the machine will be used and remove all objects that could be caught up and violently flung out.
3. **Warning: Petrol is highly flammable!** Therefore:
 - Only store petrol in containers designed to hold petroleum-based liquids.
 - Only refuel out in the open and do not smoke during the refueling process.
 - Always refuel before starting the engine. Do not open fuel tank cap and do not refuel when the engine is running or when the scythe is hot.
 - If petrol has overflowed, do not under any circumstances attempt to start the engine. Instead, remove the machine from the affected area. Avoid starting the engine until the petrol fumes have completely evaporated.For safety reasons, the petrol tank and other tank closures must be replaced if they are damaged.
4. Replace defective mufflers.
5. Before using the scythe, visually inspect it to ensure that the blade, mounting bolts and the entire cutting apparatus are in good working order (i.e. not worn out or damaged). To prevent any imbalance, replace worn out or damaged blades and mounting bolts as a set only (if applicable).
6. The powered equipment will create toxic exhaust fumes as soon as the engine is started. Never work in enclosed rooms or in rooms with poor ventilation.

Handling

1. **Wear close fitting, tough work clothing** that will provide protection, such as long slacks or trousers, safety work shoes, heavy duty work gloves, hard hat, a safety face shield, or safety glasses for eye protection and a good grade of ear plugs or other sound barriers for hearing protection.

AFTER SALES SUPPORT



1300 922 271



service.australia@einhell.com

2. **Store in a safe place.** Open fuel cap slowly to release any pressure which may have formed in the fuel tank. To prevent a fire hazard, move at least 10 feet (3 meters) from fueling area before starting.
3. **Turn unit off** before setting it down.
4. **Always hold unit firmly with both hands,** the thumb and fingers encircling the handles.
5. **Keep all screws and fasteners tight.** Never operate your equipment when it is improperly adjusted or not completely and securely assembled.
6. **Keep handles dry,** clean and free of fuel mixture.
7. **Keep stringhead as close to ground as practical.** Avoid hitting small objects with stringhead. When cutting on a slope, stand below ringhead. NEVER cut or trim on a hill or slope, etc. if there is the slightest chance of slipping, sliding or losing firm footing.
8. **Check area you will be trimming for debris** that may be struck or thrown during operation.
9. **Keep all parts of your body and clothing away from stringhead** when starting or running engine. Before starting engine, make sure stringhead will not come in contact with any obstacle.
10. **Stop engine** before examining cutting line.
11. **Store equipment away from possible flammable materials,** such as gas-powered water heaters, clothes dryers, or oil-fired furnaces, portable heaters, etc.
12. **Always keep** the debris shield, stringhead, and engine free of debris build-up.
13. **Operation of equipment** should always be restricted to mature and properly instructed individuals.
14. **If unfamiliar with trimming** techniques, practice the procedures with engine in "OFF" position.
15. **Always clear work area** of debris such as cans, bottles, rocks, etc. Striking objects can cause serious injury to operator or bystanders and also damage equipment. If an object is accidentally hit, immediately turn engine off and examine equipment. Never operate unit with damaged or defective equipment.
16. **Always trim or cut at high engine speeds.** Do not run engine slowly at start or during trimming operations.
17. **Do not** use equipment for purposes other than trimming or mowing weeds.
18. **Never** raise stringhead above knee height during operation.
19. **Do not** operate unit with other people or animals in the immediate vicinity. Allow a minimum of 50 feet (15 meters) between operator and other people and animals when trimming or mowing. Allow a distance of 100 feet (30 meters) between operator and other people and animals when scalping with stringhead cutter.
20. **If operating unit on a slope,** stand below the cutting attachment. Do not operate on a slope or hilly incline if there is the slightest chance of slipping or losing your footing.
21. **In case of equipment with a coupling,** make sure the cutting tool does not turn in idling mode.

Additional instructions

1. **DO NOT USE ANY OTHER FUEL** than that recommended in your user guide. Always follow instructions in the Fuel and Lubrication section of this manual. Never use petrol unless it is properly mixed with 2-cycle engine lubricant. Permanent damage to engine will result, voiding manufacturer's warranty.
2. **DO NOT SMOKE** while refueling or operating equipment.
3. **DO NOT OPERATE UNIT WITHOUT A MUFFLER** and properly installed muffler shield.
4. **DO NOT TOUCH** or let your hands or body come in contact with the muffler. Hold unit with thumbs and fingers encircling the handles.
5. **DO NOT OPERATE UNIT IN AWKWARD POSITIONS,** off balance, outstretched arms, or one-handed. Always use two hands when operating unit with thumbs and fingers encircling the handles.
6. **DO NOT RAISE STRINGHEAD** above ground level while unit is operating. Injury to operator could result.
7. **DO NOT USE UNIT FOR ANY PURPOSES OTHER** than trimming lawn or garden areas.
8. **DO NOT OPERATE UNIT FOR PROLONGED PERIODS.** Rest periodically.
9. **DO NOT OPERATE UNIT WHILE UNDER THE INFLUENCE OF ALCOHOL OR DRUGS.**
10. **DO NOT OPERATE UNIT UNLESS DEBRIS SHIELD AND/OR GUARD IS INSTALLED AND IN GOOD CONDITION.**
11. **DO NOT ADD, REMOVE OR ALTER ANY COMPONENTS OF THIS PRODUCT.** Doing so could cause personal injury and/or damage the unit voiding the manufacturer's warranty.
12. **DO NOT** operate your unit near or around flammable liquids or gases whether in or out of doors. An explosion and/or fire may result.
13. **DO NOT USE ANY OTHER CUTTING TOOLS.** For your own safety only use the accessories and additional equipment specified in the operating manual or recommended or specified by the manufacturer. The use of tools or accessories other than those recommended in the operating manual or catalogue may place you in danger of personal injury.

AFTER SALES SUPPORT



1300 922 271



service.australia@einhell.com

Safety when handling the blade

- 1. FOLLOW ALL WARNINGS** and instructions for using the machine and for installing the blade.
- 2. The blade may suddenly jump away out of control if it comes up against objects which cannot cut through. This may result in the amputation of arms or legs.** Keep onlookers and animals at least 15m away from where you are working. If the machine strikes a foreign body, stop the engine immediately and bring the blade to a standstill. Check the blade for signs of damage. Always replace the blade if it is bent or torn.
- 3. THE BLADE WILL THROW UP OBJECTS AT HIGH SPEED:** This may cause blinding injuries. Always wear eye, face and leg protection. Remove all objects from the working area before using the blade. Keep other people and animals at least 15m away from the machine in all directions.
- 4. Check your machine and other equipment carefully for signs of damage.** Do not use the machine unless all the blade mountings have been installed correctly.
- 5. THE BLADE WILL SLOW DOWN AND STOP IF YOU RELEASE THE THROTTLE VALVE** (petrol lever). While it is slowing down, the blade can still cut you or onlookers. Before you carry out any work on the blade, switch off the engine and make sure that the blade has stopped.
- 6. DANGER ZONE WITH A DIAMETER OF 15 METERS.** Onlookers may suffer blindness or injuries. Keep onlookers and animals at least 15m away from where you are working.

15. Comfort carrying belt
16. Cutting blade
17. Key for changing the spool
18. Nut for guard hood (3x)
19. Screw for guard hood (3x)
20. Safety split pin
21. Handle screw
22. Connecting screw
23. Spacer sleeve
24. Spacer bush (already assembled)
25. Fastening ring
26. Carrier plate
27. Nut
28. Oil/petrol mixing bottle
29. Spark plug wrench
30. Allen key

Items Supplied

3

- Open the packaging and take out the equipment with care.
- Remove the packaging material and any packaging and/or transportation braces (if available).
- Check to see if all items are supplied.
- Inspect the equipment and accessories for transport damage.
- If possible, please keep the packaging until the end of the guarantee period.

Important!

The equipment and packaging material are not toys. Do not let children play with plastic bags, foils or small parts. There is a danger of swallowing or suffocating!

- Petrol power brush cutter
- Line spool with cutting line (2x)
- Cutting blade
- Guard hood (2 parts)
- Comfort carrying belt
- Oil/petrol mixing bottle
- Spark plug wrench
- Screw for cutting hood (3x) Nut for cutting hood (3x)
- Split pin
- Allen key
- Locking pin
- Key for changing the spool
- Nut
- Carrier plate
- Fastening ring
- Spacer bush

Layout (Fig. 1/2)

2

1. Connecting piece for long handle
2. Long handle
3. Steady grip
4. Starter cable
5. Choke lever
6. Tank
7. Fuel pump "primer"
8. Air filter housing cover
9. ON/OFF switch
10. Locking pin
11. Throttle lever
12. Throttle lever lock
13. Line spool with cutting line
- 14a. Cutting line guard hood
- 14b. Cutting blade guard hood

AFTER SALES SUPPORT



1300 922 271



service.australia@einhell.com

12

MODEL NUMBER: GL-BC 25S, 08/13

- Handle screw
- Original operating instructions

Intended Use

4

The equipment is designed for cutting lawns and grassed areas. The operating instructions as supplied by the manufacturer must be kept and referred to in order to ensure that the equipment is properly used and maintained. Any use which is not expressly permitted in the user guide may result in damage to the equipment and place the user in serious danger. Be sure to observe the restrictions in the safety instructions.

Please note that our equipment has not been designed for use in commercial, trade or industrial applications. Our warranty will be voided if the equipment is used in commercial, trade or industrial businesses or for equivalent purposes.

Important!

Due to the high risk of bodily injury to the user, the petrol brush cutter must not be used to carry out the following work: to clean dirt and debris off walkways, or to chop up tree or hedge clippings. Moreover, the petrol brush cutter may not be used to level out high areas such as molehills. For safety reasons, the petrol brush cutter may not be used as a drive unit for other work tools or toolkits of any kind.

The equipment is to be used only for its prescribed purpose. Any other use is deemed to be a case of misuse. The user/operator and not the manufacturer will be liable for any damage or injuries of any kind caused as a result of this.

Technical Data

5

Engine type	2-stroke engine, air cooled chrome cylinder
Engine power (max.)	0.75 kW (1 HP)
Displacement	25 cc
Idle speed of engine	3,000 min ⁻¹
Max. engine speed	10,500 min ⁻¹
Max. torque Brush cutter:	9,500 min ⁻¹
Trimmer:	8,000 min ⁻¹
Ignition	Electronic

Drive	Centrifugal Clutch
Weight (with empty tank)	6.0 kg
Long handle length	134 cm
Cutting width double line	43 cm
Cutting width knife	23 cm
Cutting line length	4.5 m
Cutting line diameter	2.5 mm
Tank capacity	0.45 L
Spark plug	L8RTC

Sound and Vibration

Sound pressure level LpA	98.2 dB(A)
Uncertainty KpA	3 dB
Sound power level LWA	112 dB(A)
Uncertainty KWA	3 dB

Wear ear-muffs.

The impact of noise can cause damage to hearing.

Functions

Vibration emission value ah:

Front-handle: 8.97 m/s²

Back-handle: 9.78 m/s²

K uncertainty = 1.5 m/s²

Reduce noise generation and vibration to a minimum!

- Use only equipment that is in perfect condition.
- Maintain and clean the equipment regularly.
- Adopt your way of working to the equipment.
- Do not overload the equipment.
- Have the equipment checked if necessary.
- Switch off the equipment when not in use.
- Wear gloves.

Before starting the equipment

6

6.1 Assembly

6.1.1 Fitting the steady grip

Install the steady grip (Fig. 1/Item 3) as shown in Figs. 3a-3c. Do not tighten the screws until you have set the perfect working position with the comfort carrying belt. The steady grip should be aligned as shown in Fig. 1/Item 3. To dismantle, proceed in reverse order.



6.1.2 Fitting the long handle

The fitting of the long handle (Fig. 1/Item 2) is shown in Fig. 4a-4c.

Slide the spacer sleeve (Fig. 4a / Item 23) between the two screw holes (Fig. 4a/Item B). Insert the connecting screw (Fig. 4b/Item 22) through the holes and the spacer sleeve as shown in Figure 4b. Screw the handle screw (Fig. 4b /Item 21) onto the connecting screw (Fig. 4b/Item 22). However, do not tighten. Now press the locking lever (Fig. 4a/Item A) and push the long handle (Fig. 4a/Item 2) carefully into the connecting piece for the long handle (Fig. 4a/Item A). While doing so, make sure that the drive shafts on the inside of the long handle slide into each other (turn the spool head gently, if required) and that the front lug of the locking lever latches into the relevant hole (Fig. 4b/Item C) on the long handle. Now tighten the handle screw as shown in Fig. 4c. After this initial assembly, you will only have to loosen the handle screw and activate the lever to dismantle the long handle.

6.1.3 Fitting the blade guard hood

Important! The cutting blade guard hood (Fig. 2/Item 14b) must be fitted if you wish to work with the cutting blade. The guard hood for the cutting blade must be installed as shown in Figs. 5a/5b.

6.1.4 Fitting/Replacing the cutting blade

The fitting of the cutting blade (Fig. 6a/Item 16) is shown in Figs. 6a – 6f. To dismantle, proceed in reverse order.

- Fit the carrier plate (26) onto the spline shaft (Fig. 6b).
- Securely fit the cutting blade (16) on the cover ring (Fig. 6c).
- Slide the fastening ring (25) over the thread (Fig. 6d).
- Look for the hole in the carrier plate, line up with the notch beneath it, lock with the supplied locking pin (31), and tighten the nut (27).

- Important!** Left-hand screw thread (Fig. 6e)
- Slide the safety split pin (20) through the hole in the drive shaft and bend the lugs around the shaft as shown in Fig. 6f.

6.1.5 Fitting the cutting line guard hood

Important! The cutting line guard hood (Fig. 2/Item 14b) must be additionally fitted if you want to work with the cutting line.

- Place the cutting line guard hood onto the blade guard hood (Fig. 7a)
- Fasten the cutting line guard hood using the screws for the guard hood (Fig. 7b).

6.1.6 Fitting/Replacing the line spool

The fitting of the line spool (Fig. 2/Item 13) is shown

in Fig. 7c. To dismantle, proceed in reverse order. Look for the hole in the carrier plate, line up with the notch beneath it, lock with the supplied locking pin (31), and screw the line spool onto the thread.

Important! Left-hand screw thread (Fig. 7c).

6.2 Setting the cutting height

- Fit the comfort carrying belt (Fig. 2/Item 15) as shown in Figures 8a-8c.
- Hook the equipment to the carrying belt (Fig. 8d).
- Adjust the perfect working and cutting position using the various strap adjusters on the carrying belt (Fig. 8e).
- In order to establish the optimum length of the carrying belt, you should then make a few swinging movements without starting the engine (Fig. 9a).

The carrying belt is fitted with a quick-release mechanism. Pull the red strap section (Fig. 8f) if you need to remove the belt quickly.

Important! Always use the belt when working with the equipment. Attach the belt as soon as you have started the engine and it is running in idle mode. Switch off the engine before you take off the carrying belt.

Check the equipment for the following each time before use:

- That there are no leaks in the fuel system.
- That the equipment is in perfect condition and that the safety devices and cutting devices are complete.
- That all screws are securely fastened.
- That all moving parts move smoothly.

6.3 Fuel and oil

Recommended fuels

Use only a mixture of unleaded petrol and special 2-stroke engine oil. Mix the fuel mixture as indicated on the fuel mixing table.

Important! Do not use a fuel mixture which has been stored for longer than 90 days.

Important! Never use 2-stroke oil with a recommended mixing ratio of 100:1. The manufacturer's warranty will be voided in case of engine damage due to inadequate lubrication.

Important! Only use containers designed and approved for the purpose to transport and store fuel. Pour the correct quantities of petrol and 2-stroke oil into the oil/petrol mixing bottle (Fig. 2/Item 28) (see scale printed on the bottle). Then shake the bottle well.

6.4 Fuel mixture table

Mixing procedure: 40 parts petrol to 1 part oil.



Petrol	2-stroke oil
1 litre	25 ml
5 litres	125 ml

Operations

7

Please note that the statutory regulations governing noise abatement may differ from town to town.

7.1 Starting the engine when cold

Fill the tank (Fig.1 / Item 6) with the required amount of oil/petrol mix.

See "Fuel and oil".

1. Set the equipment down on a hard, level surface.
2. Set the choke lever (Fig. 1/Item 5) to "I".
3. Press the fuel pump "primer" (Fig. 1/ Item 7) 10 times.
4. Move the ON/OFF switch (Fig. 1/Item 9) to "I". Secure the throttle lever (Fig. 1/Item 11). To do this, press the throttle lever lock (Fig. 1/ Item 12).
5. Hold the equipment firmly and pull out the starter cable (Fig. 1/Item 4) until you feel it start to resist. Then tug sharply on the starter cable 4 times. The equipment should start.
6. **Important!** Never allow the starter cable to snap back. This may damage the equipment.
7. Once the engine has started, move the choke lever immediately to "I" and allow the equipment to warm up for approx. 3 seconds. **Important!** Since the throttle lever (Fig. 1/Item 11) is secured, the cutting tool starts to operate when the engine is started. Then release the throttle lever by simply actuating it (the engine then returns to running in idle mode).
8. If the engine does not start up, repeat steps 6-7 above.

Note: If the engine does not start up even after several attempts, read the section "Troubleshooting".

Note: Always pull the starter cable (Fig.1 /Item 4) out in a straight line. If it is pulled out at an angle, then friction will occur on the eyelet. As a result of this friction, the cable will become frayed and will wear away faster. Always hold the starter handle when the cable retracts. Never allow the cable to snap back when it has been pulled out.

7.2 Starting the engine when warm

(The equipment has been in idle mode for less than 15-20 min.)

1. Set the equipment down on a hard, level

surface.

2. Switch the ON/OFF switch (Fig. 1/Item 9) to "I".
3. Secure the throttle lever (Fig. 1/Item 11) (in the same way as described in "Starting the engine when cold" Section 7.1).
4. Hold the equipment firmly and pull out the starter cable (Fig. 1/Item 4) until you feel it start to resist. Then tug sharply on the starter cable. The equipment should start after 1-2 tugs. If the equipment does not start after 6 pulls, repeat steps 1 – 7 of the procedure for "starting the engine from cold," Section 7.1.

7.3 Switching off the engine

Emergency Stop procedure:

If it becomes necessary to stop the equipment immediately, set the ON/OFF switch (Fig. 1/Item 9) to "Stop" or "0".

Normal procedure:

Let go of the throttle lever (Fig. 1/Item 11) and wait until the engine has changed to idling speed. Then set the ON/OFF switch (Fig. 1/Item 9) to "Stop" or "0".

7.4 Practical tips

Practice all operating techniques with the engine switched off before you start to use the equipment.

Extending the cutting line

Warning! Do not use any kind of metal wire or metal wire encased in plastic in the line spool. This may cause serious injuries to the user.

To extend the cutting line run the engine at full speed and tap the line spool on the ground. This will automatically extend the line. **Important!** Do not tap the line spool too hard on the ground as this will damage the line spool. The blade on the safety shield will cut the line to the appropriate length (Fig. 9b).

Important! Remove all grass and weed remains at regular intervals to prevent the shaft tube overheating. Grass and weed remains become trapped under the safety shield (Fig. 9c) and they prevent the shaft tube receiving adequate ventilation. Remove the remains carefully using a screwdriver or the like.

Different cutting methods

If the equipment is correctly assembled it will cut weeds and long grass in places with difficult access, for example along fences, walls and foundations and also around trees. It can also be used for mowing work to remove vegetation to allow the better preparation of a garden or to clear a certain area down to the soil.

Note: Even if it is used carefully, cutting around foundations, stone or concrete walls, etc. will result in the line suffering above normal wear.

AFTER SALES SUPPORT



1300 922 271



service.australia@einhell.com

Trimming/mowing

Swing the trimmer from side to side in a scything motion. Always keep the line spool parallel to the ground. Check the site and decide what cutting height you require. Guide and hold the line spool at the required height to ensure that you cut evenly (Fig. 9d).

Low trimming

Hold the trimmer right in front of you at a slight angle so that the underside of the line spool is above the ground and the line strikes the correct target. Always cut away from yourself. Never draw the trimmer towards yourself.

Cutting along fences/foundations

When cutting approach wire mesh fences, lath fences, natural stone walls and foundations slowly so that you can cut close to them without striking the obstacle with the line. If for example the line strikes stones, stone walls or foundations, it will wear or fray. If the line strikes wire fencing it will break.

Trimming around trees

When trimming around tree trunks, approach slowly so that the line does not strike the bark. Walk around the tree, cutting from left to right. Approach grass or weeds with the tip of the line and tilt the line spool forwards slightly.

Warning: Take extreme care during mowing work. When doing such work keep a distance of 30 meters between yourself and other people or animals.

Mowing

For mowing you want to cut all the vegetation down to the ground. To do this, set the line spool at an angle of 30° to the right. Place the handle in the required position. Remember the increased risk of injury to the user, watchers and animals and the danger of damaging other items due to objects (for example stones) being thrown out (Fig. 9e).

Warning: Do not remove any objects from footpaths, etc. using the equipment. The equipment is a powerful tool and can throw small stones and other objects a distance of 15 meters or more, causing injuries and damage to cars, houses and windows.

Sawing

The equipment is not suitable for sawing.

Jamming

If the cutting blade jams as a result of attempting to cut vegetation that is too dense, switch off the engine immediately. Remove the grass and scrub from the equipment before you restart it.

Preventing recoil

When you work with the blade there is a risk of recoil if it strikes solid objects such as tree trunks, branches, tree stumps, stones or the like. This will throw the equipment backwards in the direction opposite to the rotation of the tool. This can cause you to lose control of the equipment. Do not use the blade near fences, metal posts, boundary stones or foundations. For cutting dense stalks, position it as shown in Figure 9f to prevent recoil.

Cleaning, Maintenance and Ordering Spare Parts

8

Always switch off the equipment and pull out the spark boot plug before carrying out any maintenance work.

8.1 Replacing the line spool/cutting line

1. Undo the line spool using the supplied key (Fig. 2/Item 17) and remove the line spool screw (Fig. 12a/12b).
Important! Left-hand thread.
2. Take the line spool out of the line spool housing (Fig. 12c).
3. Remove any remaining cutting line.
4. Place the new cutting line in the center and attach the resulting loop to the recess in the spool splitter (Fig. 12d).
5. Wind the line onto the spool counter-clockwise with tension (Fig. 12e). The spool splitter will separate the two halves of the nylon line (Fig. 12f).
6. Hook the last 15cm of the two ends of the line to the line holders opposite the line spool (Fig. 12f).
7. Thread the two ends of the line through the metal eyelets in the line spool housing (Fig. 12c).
8. Press the line spool into the line spool housing.
9. Secure the line spool with the line spool screw (Fig. 12a/12b). **Important!** Do not overtighten the line spool screw.
10. Pull the two line ends briefly and powerfully to release them from the line holders in the line spool.
11. Cut the excess line to a length of around 13cm. This will reduce the load on the engine when starting up and warming up.
12. If you are replacing the complete line spool, ignore points 3-6 of this section. To dismantle and fit the line spool to the brush cutters, refer to Section 6.1.6.

8.2 Servicing the air filter

Soiled air filters reduce the engine output by supplying too little air to the carburetor. Regular checks are therefore essential. The air filter should be checked after every 25 hours of use and cleaned if



necessary. If the air contains a lot of dust, the air filter should be checked more frequently.

1. Remove the air filter cover (Fig. 10a).
2. Remove the filter element (Fig. 10b).
3. Clean the filter element by tapping it or blowing it.
4. Assemble in reverse order.

Important! Never clean the air filter with petrol or inflammable solvents.

8.3 Maintenance of the spark plug

Spark plug electrode gap = 0.6mm. Tighten the spark plug with a torque of 12 to 15 Nm. Check the spark plug for dirt and grime after 10 hours of operation and if necessary clean it with a copper wire brush. Thereafter service the spark plug after every 50 hours of operation.

1. Pull off the spark plug boot (Fig. 11a) by twisting.
2. Remove the spark plug (Fig. 11b) with the supplied spark plug wrench (Fig. 2/Item 29).
3. Assemble in reverse order.

8.4 Grinding the safety hood blade

The safety hood blade can become blunt over time. When you notice this, undo the two screws holding the safety hood blade to the safety hood. Clamp the blade in a vise. Sharpen the blade with a flat file and make sure that the angle of the cutting edge is not altered in the process. File in one direction only.

8.5 Carburetor settings

Important! Settings on the carburetor may only be made by authorised customer service personnel. Please call the After Sales Support on 1300 922 271. The air filter cover must be removed before any work on the carburetor, as shown in Figs. 10a and 10b.

Setting the throttle cable

If the maximum speed of the equipment falls over time and you have ruled out all the other causes listed in section 11 "Troubleshooting," it may be necessary to adjust the throttle cable.

First of all check whether the carburetor opens fully when the throttle lever (Fig. 1/Item 11) is pressed fully. This is the case if the carburetor slide (Fig. 13a/Item A) rests against the stop (Fig. 13a/Item B) when the throttle is fully open. Fig. 13a shows the correct setting. If the carburetor slide does not touch the stop, it must be adjusted.

The following work is required to adjust the throttle cable:

- Undo the lock nut (Fig. 13b/Item C) a few turns.
- Undo the adjusting screw (Fig. 13b/Item D) until the carburetor slide rests against the stop when the throttle is fully open, as shown in Fig. 13a.
- Retighten the lock nut.

Setting the idling speed

Important! Set the idling speed when the

equipment is warm.

If the engine stalls when the throttle lever (Fig. 1/Item 11) is not pressed and you have ruled out all the other causes listed in Section 11 "Troubleshooting," the idling speed must be adjusted. To do this turn the idling speed screw (Fig. 13b/Item E) clockwise until the equipment runs smoothly at idling speed. If the idling speed is so fast that the cutting accessory turns as well, it has to be reduced by turning the idling speed screw counter-clockwise for as long as is required for the cutting accessory to stop turning as well.

8.6 Environmental protection

Dispose of soiled maintenance material and operating materials at the appropriate collection point. Recycle packaging material, metal and plastics.

8.7 Ordering spare parts

Contact our After Sales Support on 1300 922 271 and quote the following data when ordering replacement parts:

- Model/type of the equipment
- Article number of the equipment
- ID number of the equipment
- Spare part number of the required spare part

Storage and Transport

9

9.1 Storage

Important! Never put the equipment into storage for longer than 30 days without carrying out the following steps.

Storing the equipment

If you intend to store the equipment for longer than 30 days, the equipment must be prepared accordingly. Otherwise the fuel still remaining in the carburetor will evaporate and leave a rubbery sediment. This can cause problems when starting up the equipment and may require expensive repairs.

1. Slowly remove the fuel tank cap to release any pressure that may have formed in the tank. Carefully empty the tank.
2. Start the engine and let it run until the equipment stops in order to remove any fuel from the carburetor.
3. Leave the engine to cool (approx. 5 minutes).
4. Remove the spark plug (Section 8.3).
5. Add one teaspoon of 2-stroke engine oil into the combustion chamber. Slowly pull the starter cable several times to apply a layer of oil to all internal components. Fit the spark plug again.

Note: Store the equipment in a dry place and far away from possible ignition sources such as an oven,



a gas-fired hot water boiler, a gas-fired dryer, etc.

Putting the equipment back into operation

1. Remove the spark plug (Section 8.3).
2. Quickly tug on the starter cable to remove excess oil from the combustion chamber.
3. Clean the spark plug and check that the electrode gap (0.6 mm) is correct.
4. Prepare the equipment for operation.
5. Fill the tank with the relevant mixture of fuel and oil. (Section 6.3/6.4)

9.2 Transport

To transport the equipment, empty the tank as described in section 9.1. Clean coarse dirt off the equipment with a brush or hand brush. Dismantle the steady grip as described in section 6.1.1.

Disposal and Recycling

10

The equipment is supplied in packaging to prevent it from being damaged in transit. The raw materials in this packaging can be reused or recycled. The equipment and its accessories are made of various types of material, such as metal and plastic. Defective components must be disposed of as special waste. Ask your local council.



Fault	Possible Cause	Troubleshooting
The machine does not start.	Correct starting procedure not followed.	Follow the instructions for starting, Section 7.1/7.2, p.12.
	Sooted or damp spark plug.	Clean the spark plug or replace it with a new one, Section 8.3, p.14.
	Incorrect carburetor setting.	Contact our After Sales Support on 1300 922 271.
The machine starts but does not develop its full output.	Incorrect choke lever setting.	Set choke lever to “ \uparrow ”
	Soiled air filter.	Clean the air filter, Section 8.2, p.13.
	Incorrect carburetor setting.	Contact our After Sales Support on 1300 922 271.
The engine does not run smoothly.	Incorrect electrode gap on the spark plug.	Clean the spark plug and adjust the electrode gap or fit a new spark plug (Type: L8RTC), Section 8.3, p.14.
	Incorrect carburetor setting.	Contact our After Sales Support on 1300 922 271.
Engine smokes excessively.	Incorrect fuel mix.	Use the correct fuel mix (see fuel mixing table), Section 6.4, p. 12.
	Incorrect carburetor setting.	Contact our After Sales Support on 1300 922 271.

GARDENLINE® is a registered trademark of ALDI Stores.

ALDI Guarantee

Specially made for ALDI Stores to our stringent quality specifications. If you are not entirely satisfied with this product, please return it to your nearest ALDI Store, within 60 days from the date of purchase, for a full refund or replacement, or take advantage of our after sales support by calling the Customer Service Hotline.

ALDI STORES
1 SARGENTS ROAD
MINCHINBURY NSW 2770
www.aldi.com.au

AFTER SALES SUPPORT



1300 922 271



service.australia@einhell.com

08/2013
Art.Nr: 34.019.44-11013

AFTER SALES SUPPORT



1300 922 271



service.australia@einhell.com

20

MODEL NUMBER: GL-BC 25S, 08/13