

## Impact Drill PS-SB 1100 E

Art.-No.: **44.710.83**

Bar code: 4006825512878

Sales unit: 3 pcs

The 2-gear impact drill is well designed and excellent qualified for drilling, hammer drilling, screwing in wood, metal and concrete. The quiet running of the unit, the electronic speed control and the ergonomic design allow fatigueless work. The impact drill is equipped with a special additional handle which can be adjusted for every working position. The 2-gear change make an optimal choice of working speed.

### Features:

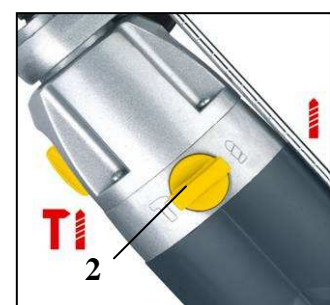
- Electronic speed control with pre-selection settings (1)
- Reverse-switch drilling/hammer drilling (2)
- Reverse-switch right/left-rotation (3)
- Drilling/Depth stop (4)
- Additional handle (5)
- Quick chuck consisting of metal (6)
- Two gears (7)
- Metal gear housing (8)
- **Housing surface „softpainted”**

### Technical data:

- Mains: 230 V ~ 50 Hz
- Power: 1100 watts
- Drilling capacity: concrete 16 mm  
metal 13 mm  
wood 32 mm
- No-load speed: 1. gear: 0 - 1.100 min<sup>-1</sup>  
2.gear: 0 – 2.900 min<sup>-1</sup>
- Main cabel length: 3 m
- Weight: 5.7 kg
- Packing dimension: 515 x 140 x 315 mm

### Standard accessories:

- Drill bit for stone 5, 6, 8, 10,12 mm (9)
- Drill bit for metal 5, 6, 8, 10, 12 mm (10)
- Transport and storage case



Abbildungen können nicht im Serien-Lieferumfang enthaltenes Zubehör darstellen / Illustrations can contain accessories, which are not included in standard extent of delivery.

Abbildungen ähnlich, produktionsbedingte Abweichung vorbehalten / Illustration similar (in design), production-wise modifications reserved

File: G:\Webshop\T-Produktbeschreibung\60\Originale\_Englisch\_PA04\4471083\_01015.doc

Erstelldatum / create date: 27.07.2005 11:15

Aktualisiert / up dated: 24.08.2005