

/// PARKSIDE®

PSE 2800 A1



GB IE CY

GENERATOR

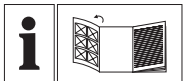
Operation and Safety Notes
Original operating instructions

GR CY

ΓΕΝΗΤΡΙΑ

Υποδείξεις χειρισμού και ασφαλείας
Πρωτότυπες Οδηγίες χρήσης

GB IE CY



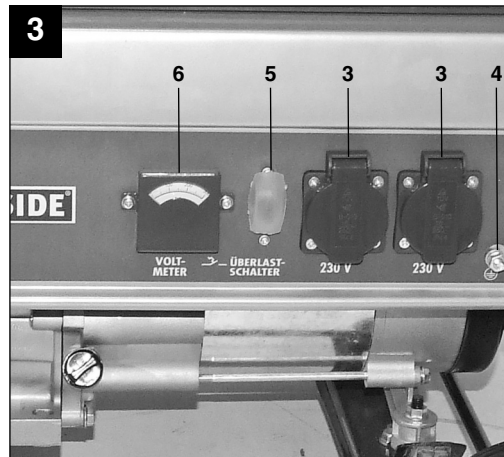
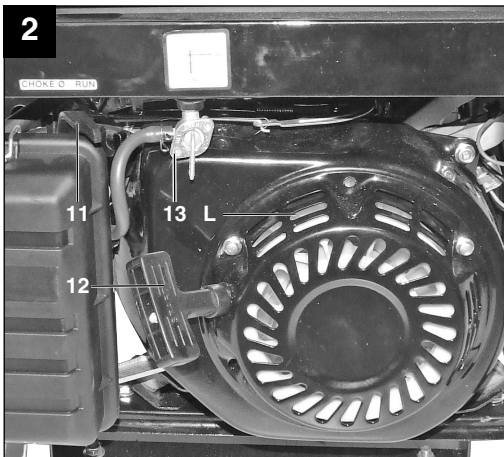
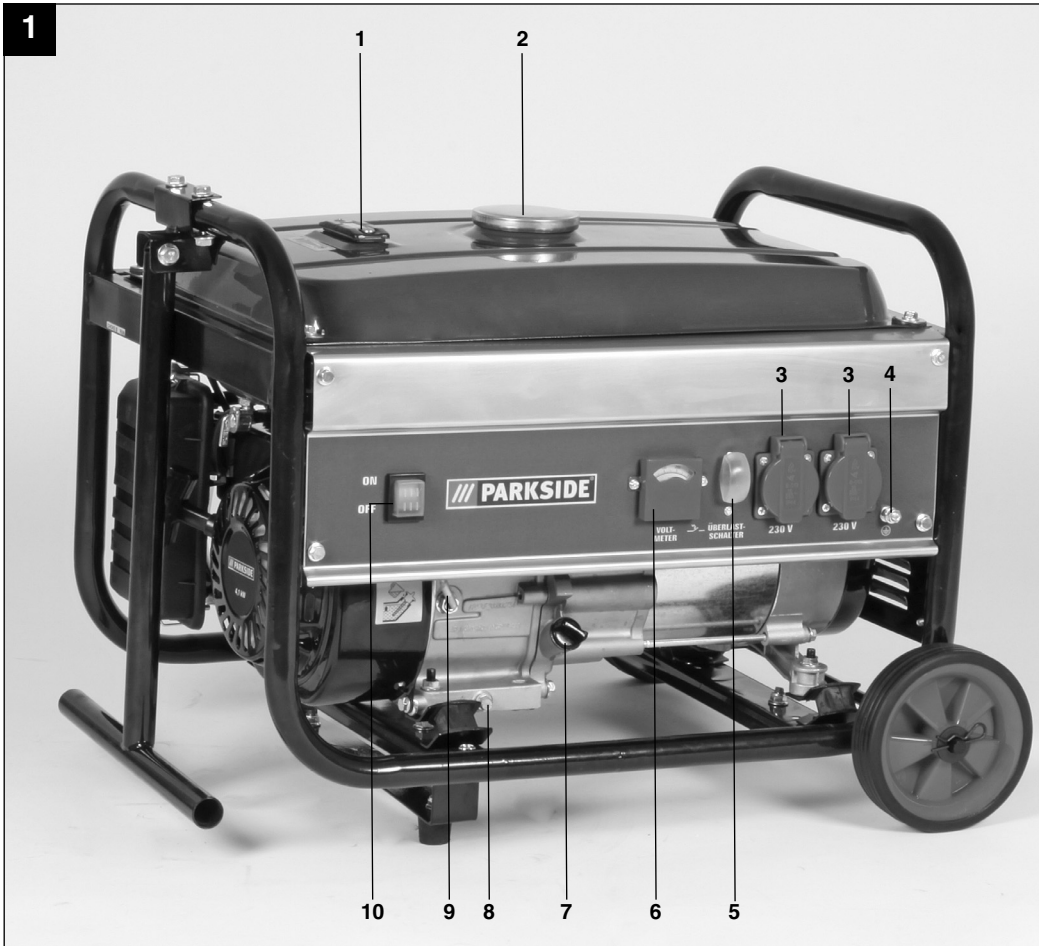
GB IE CY

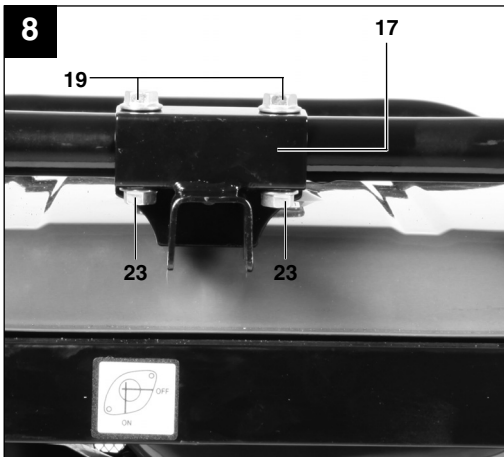
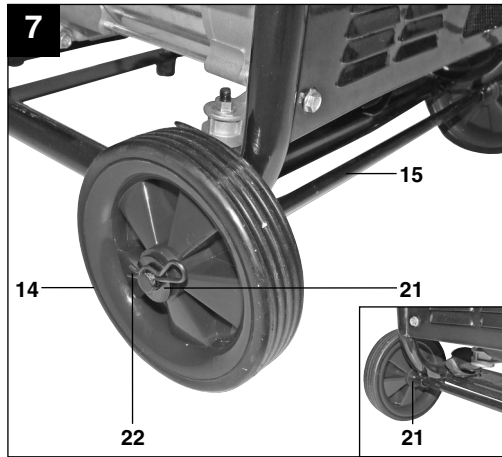
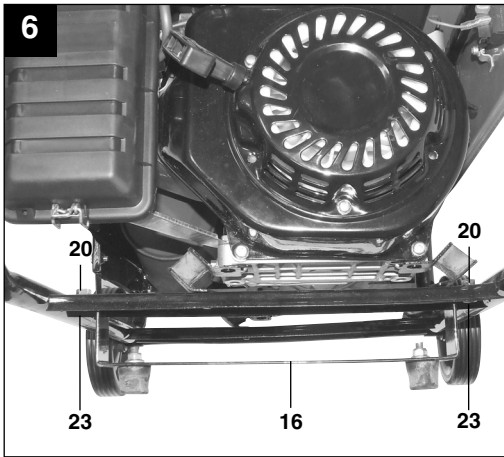
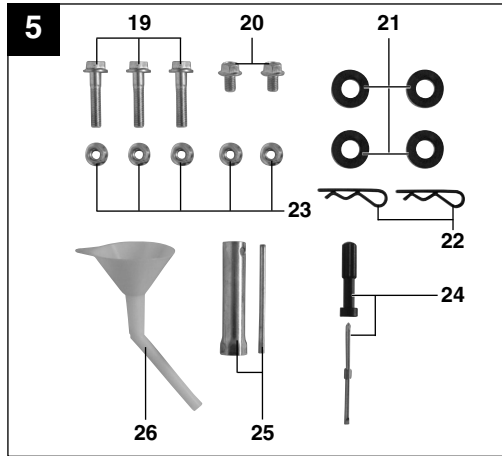
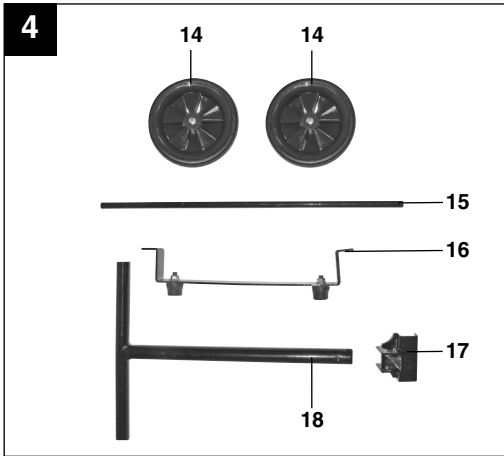
Before reading, unfold the page containing the illustrations and familiarise yourself with all functions of the device.

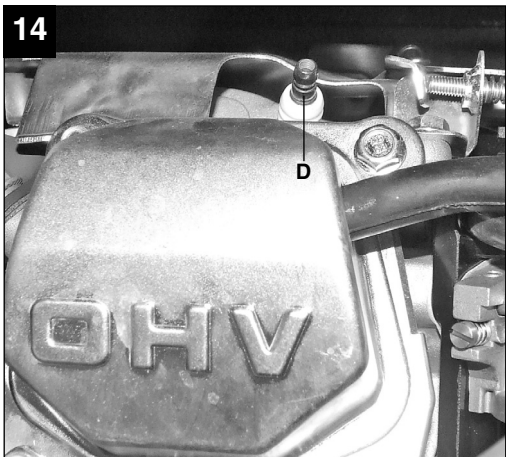
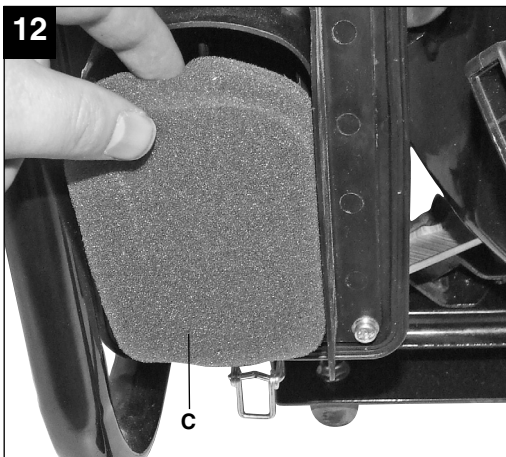
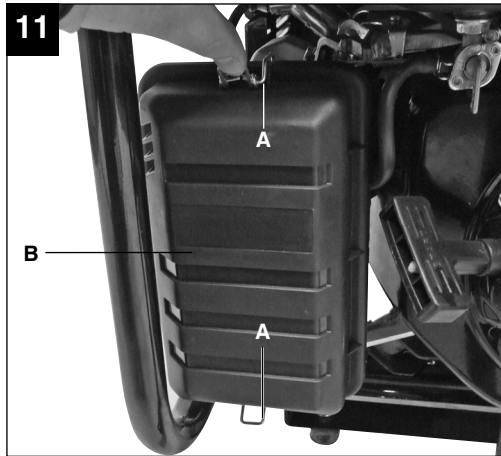
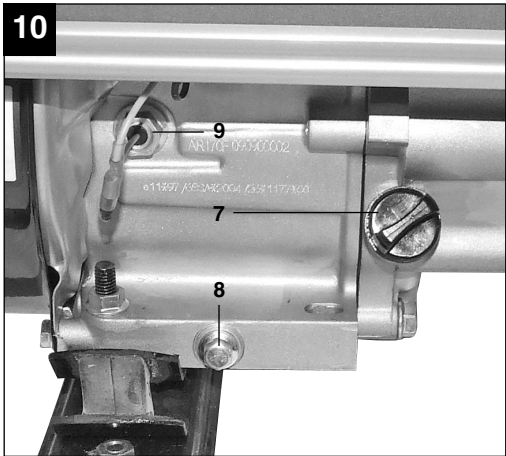
GR CY

Πριν ξεκινήσετε την ανάγνωση, ανοίξτε τη σελίδα με τις εικόνες και εξοικειωθείτε με όλες τις λειτουργίες της συσκευής.

GB/IE/CY	Operation and Safety Notes	Page	7
GR/CY	Υποδείξεις χειρισμού και ασφαλείας	Σελίδα	18



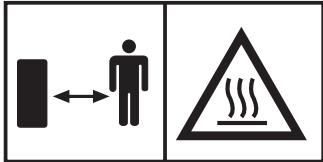




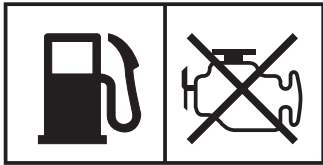
15



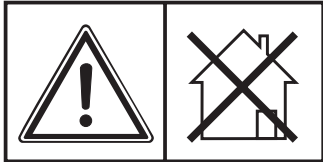
1



2



3



4

Table of contents	Page
1. Introduction	8
2. Safety Information	8-9
3. Layout	9
4. Intended use	9
5. Technical data.....	10
6. Before starting the equipment	10
7. Operation	11
8. Cleaning, maintenance, storage, transport and ordering of spare parts	12-13
9. Disposal and recycling	13
10. Troubleshooting guide	14
11. Maintenance schedule	15
12. Declaration of conformity	16
13. Guarantee certificate	17

The reprinting or reproduction by any other means, in whole or in part, of documentation and papers accompanying products is permitted only with the express consent of ISC GmbH.

Technical changes subject to change

GB/IE/
CY

1. Introduction

⚠ Important.

When using the equipment, a few safety precautions must be observed to avoid injuries and damage. Please read the complete operating instructions and safety information with due care. Keep this manual in a safe place so that the information is available at all times. If you give the equipment to any other person, hand over these operating instructions and the safety information as well. We cannot accept any liability for damage or accidents which arise due to a failure to follow these instructions and the safety information.

2. Safety Information

- No changes may be made to the generator.
- Only original parts may be used for maintenance and accessories.
- Important: Danger of poisoning. Emissions, fuels and lubricants are toxic. Do not inhale emissions.
- Children are to be kept away from the generator.
- Important: Risk of burns. Do not touch the exhaust system or drive unit.
- Wear suitable ear protection when in the vicinity of the equipment.
- Important: Petrol and petrol fumes are highly combustible or explosive.
- Never operate the generator in non-ventilated rooms or in a highly inflammable environment. If you intend to operate the generator in rooms with good ventilation, the exhaust gases must be channeled directly outdoors through an exhaust hose. Important: Toxic exhaust gases can escape despite the exhaust hose. Due to the fire hazard, never direct the exhaust hose towards inflammable materials.
- Risk of explosion: Never operate the generator in rooms with combustible materials.
- The speed preset by the manufacturer is not allowed to be changed. The generator or connected equipment may be damaged.
- Secure the generator against shifting and toppling during transport.
- Place the generator at least 1 m away from walls and equipment connected to them.
- Place the generator in a secure, level position. Do not turn, tip or change the generator's position while it is working.
- Always switch off the engine when transporting and refueling the generator.
- Make sure that when you refuel the generator no fuel is spilt on the engine or exhaust pipe.
- Never operate the generator in rain or snow.
- Never touch the generator with wet hands.
- Guard against electric danger.
- When working outdoors, use only extension cables that are approved for outdoor use and which are marked accordingly (H07RN..).
- The overall length of the extension cables used is not allowed to exceed 50 m for 1.5 mm² and 100 m for 2.5 mm².
- No changes may be made to the settings of the motor or generator.
- Repairs and adjustment work may only be carried out by authorized trained personnel.
- Do not refuel or empty the tank near open lights, fire or sparks. Do not smoke!
- Do not touch any mechanically driven or hot parts. Do not remove the safety guards.
- Do not expose the equipment to damp or dust. Permissible ambient temperature -10 to +40°, altitude: 1000 m above sea level, relative humidity: 90 % (non-condensing)
- The generator is driven by a combustion engine, which produces heat in the range of the exhaust (on the opposite side of the socket) and exhaust outlet. You should therefore avoid coming near these surfaces because of risk of skin burns.
- The values quoted in the technical data under sound power level (LWA) and sound pressure level (LpA) are emission values and not necessarily reliable workplace values. As there is a correlation between emission and immission levels, the values cannot be taken to reliably determine the possible need for additional precautions. Factors influencing the current immission level of the user/operator include the

properties of the work area, other sound sources etc., e.g. the number of machines and other neighboring processes, and the time span over which the user/operator is subjected to the noise. Also, the permitted immission level can vary from country to country. Nevertheless, this information makes it possible for the user to be able to make a better assessment of the dangers and risks involved.

Important: Use only normal, unleaded petrol as fuel.

⚠ CAUTION

Read all the safety regulations and instructions. Any errors made in following the safety regulations and instructions may result in an electric shock, fire and/or serious injury.
Keep all safety regulations and instructions in a safe place for future use.

Explanation of the warning signs on the equipment (Fig. 15)

1. **Important.** Read the operating instructions.
2. **Important.** Hot parts. Keep your distance.
3. **Important.** Switch off the engine before refueling.
4. **Important.** Never operate in non-ventilated rooms.

3. Layout (Fig. 1-5)

- 1 Tank indicator
- 2 Tank cover
- 3 2 x 230 V~ socket-outlets
- 4 Earth connection
- 5 Overload cut-out
- 6 Voltmeter
- 7 Oil filler screw
- 8 Oil drainage screw
- 9 Oil shortage cut-out
- 10 On/Off switch
- 11 Choke lever
- 12 Reversing starter
- 13 Petrol cock
- 14 Wheels
- 15 Axle

- 16 Foot
- 17 Push bar holder
- 18 Push bar
- 19 Screws size M8 x 40
- 20 Screws size M8 x 16
- 21 Washers for wheels
- 22 Securing split pins for wheels
- 23 Nuts M8
- 24 Screwdriver
- 25 Spark plug wrench
- 26 Oil filler funnel

4. Intended use

The device is designed for applications operated with a 230 V alternating current source.

Be sure to observe the restrictions in the safety instructions. The generator is intended to provide electric power tools and light sources with electricity. When using the device with household appliances, please check their suitability in accordance with the relevant manufacturer's instructions. In case of doubt, ask an authorized dealer of the respective equipment.

The equipment is to be used only for its prescribed purpose. Any other use is deemed to be a case of misuse. The user/operator and not the manufacturer will be liable for any damage or injuries of any kind caused as a result of this.

Please note that our equipment has not been designed for use in commercial, trade or industrial applications. Our warranty will be voided if the equipment is used in commercial, trade or industrial businesses or for equivalent purposes.

GB/IE/
CY

5. Technical data

Generator:	Synchronous
Protection type:	IP23
Continuous rated power P_{rated} (S1):	2600 W
Maximum power P_{max} (S2 2 min):	2800 W
Rated voltage U_{rated} :	2 x 230V~
Rated current I_{rated} :	11.3 A
Frequency F_{rated} :	50 Hz
Drive engine design:	4-stroke, air-cooled
Displacement:	207.7 cm ³
Fuel:	Petrol
Tank capacity:	15 l
Engine oil:	approx. 0.6 l (15W40)
Consumption at 2/3 load:	approx. 1.36 l/h
Weight:	42 kg
L_{pA} sound pressure level:	76 dB(A)
L_{WA} sound power level	96 dB(A)
K uncertainty:	2.07 dB(A)
Power factor $\cos \varphi$:	1
Power class:	G1
Max. temperature:	40°C
Max. altitude (above mean sea level):	1,000 m
Spark plug:	F7 RTC

Operating mode S1 (continuous operation)

The equipment can be continuously operated with the quoted power output.

Operating mode S2 (temporary operation)

The equipment may be temporarily operated with the quoted power output (2 min).

6. Before starting the equipment

6.1 Assembly

The installation of the equipment requires two open-ended wrenches (size 12).

- Assemble the foot (16), wheels (14) and push bar (18) as shown in Figures 6-9.
- Assemble all parts before filling in fuel and oil in order to prevent the fluids from leaking out.
- To mount the wheels, first slide the axle (15) through the mountings on the bottom of the generator and fit the wheels (14) as shown on Figure 7.
- When fitting the push bar (18) check that the angled side (Fig. 9/Item E) is pointing outwards to ensure that the swing up function works properly.

6.2 Electrical safety

- Electric supply cables and connected equipment must be in perfect condition.
- The generator is to be operated only with equipment whose voltage specifications conform to the generator's output voltage.
- Never connect the generator to the power supply (socket-outlet).
- Keep the cable length to the consumer as short as possible.

6.3 Environmental protection

- Dispose of soiled maintenance material and operating materials at the appropriate collection point.
- Recycle packaging material, metal and plastics.

6.4 Connecting to earth

The housing must be connected to earth in order to discharge static electricity. To do this, connect one end of a cable to the earth connection on the generator (Fig. 3/Item 4) and the other end to an external earth.

7. Operation

Important. You must fill up with engine oil (approx. 0.6 l) and fuel before you can start the engine.

- Check the fuel and engine oil levels and top up if necessary.
- Make sure that the generator has sufficient ventilation
- Make sure that the ignition cable is secured to the spark plug.
- Inspect the immediate vicinity of the generator.
- Disconnect any electrical equipment which may already be connected to the generator.

7.1 Starting the engine

Important.

When starting with the reserve starter (12), the motor may recoil suddenly as it starts up, resulting in hand injuries. Wear protective gloves when starting the equipment.

- Open the petrol cock (13) by turning it down
- Set the ON/OFF switch (10) to the "ON" position
- Move the choke lever (11) to position I Ø I.
- Start the engine with the reversing starter (12), by pulling forcefully on the handle. If the engine does not start, pull the handle again.
- Push the choke lever (11) back after the engine has started.

7.2 Connecting consumers to the generator

- Connect the equipment you want to use to the 230 V~sockets (3).

Important: These sockets may be loaded continuously (S1) with 2600W and temporarily (S2) for a maximum of 2 minutes with 2800W.

- The generator is suitable for 230 V~ AC appliances only.
- Do not connect the generator to the household mains system as this may result in damage to the generator itself or to other electrical appliances in your home.

Note: Some electrical appliances (power jigsaws, drills, etc.) may have a higher level of power consumption when used in difficult conditions

7.3 Switching off the engine

- Before you switch off the generator, allow it to run briefly with no consumers so that it can "cool down".
- Set the ON/OFF switch (10) to the "OFF" position.
- Close the petrol cock (13).

7.4 Overload cut-out 2 x 230 V socket-outlets

Important. The generator is fitted with an overload cut-out.

This shuts down the sockets (3). You can restart the sockets (3) by pressing the overload cut-out (5).

Important. If this happens, reduce the electric power you are taking from the generator or remove any defective connected appliances.

Important. Defective overload cut-outs must be replaced only by overload cut-outs of identical design and with the same performance data. If repairs are necessary, please contact your customer service center.

GB/IE/
CY

8. Cleaning, maintenance, storage, transport and ordering of spare parts

Switch off the motor and pull the spark plug boot from the spark plug before doing any cleaning and maintenance work on the equipment.

Important: Switch off the equipment immediately and contact your service station:

- In the event of unusual vibrations or noise
- If the engine appears to be overloaded or misfires

8.1 Cleaning

- Keep all safety devices, air vents (Fig. 2/Item L) and the motor housing free of dirt and dust as far as possible. Wipe the equipment with a clean cloth or blow it down with compressed air at low pressure.
- We recommend that you clean the equipment immediately after you use it.
- Clean the equipment regularly with a damp cloth and some soft soap. Do not use cleaning agents or solvents; these may be aggressive to the plastic parts in the equipment. Ensure that no water can get into the interior of the equipment.

8.2 Air filter

In this connection, please also read the service information.

- Clean the air filter at regular intervals, and replace it if necessary.
- Open both clips (Fig. 11/A) and remove the air filter cover (Fig. 11/B).
- Remove the filter elements (Fig. 12/C)
- Do not use abrasive cleaning agents or petrol to clean the elements.
- Clean the elements by tapping them on a flat surface. In cases of stubborn dirt first clean with soapy water, then rinse with clear water and air-dry.
- Assemble in reverse order.

8.3 Spark plug (Fig. 13-14)

Check the spark plug for dirt and grime after 20 hours of operation and if necessary clean it with a copper wire brush. Thereafter service the spark plug after every 50 hours of operation.

- Pull off the spark plug boot (Fig. 13) by twisting.
- Remove the spark plug (Fig. 14/D) with the supplied spark plug wrench (25).
- Assemble in reverse order.

8.4 Changing the oil and checking the oil level (before using the equipment)

The motor oil is best changed when the motor is at working temperature.

- Only use motor oil (15W40).
- Place the generator on a slightly inclined surface so that the oil drainage screw (8) is at the lower end.
- Open the oil filler screw (7).
- Open the oil drainage screw and let the hot engine oil drain out into a drip tray.
- After the old oil has drained out, close the oil drainage screw and place the generator on a level surface again
- Fill in engine oil up to the top mark on the oil dip stick (approx. 0.6 liters).
- Important: Do not screw the dipstick (oil filler screw) in to check the oil level, simply insert it up to the thread.
- Dispose of the waste oil properly.

8.5 Automatic oil cut-out

The automatic oil cut-out responds if there is too little oil in the engine. In this case it will not be possible to start the engine or it will cut out automatically after a short period of time. It cannot be started again until the engine oil has been topped up (see point 8.4).

8.6 Preparing the equipment for long-term storage

Warning: Do not empty the petrol tank in enclosed areas, near fire or when smoking. Petrol fumes can cause explosions and fire.

- Empty the petrol tank using a petrol suction pump.
- Start the engine and run it until the tank and fuel line are completely empty and the engine stalls.
- Change the oil after each season. To do so, remove the used engine oil when the engine is warm and refill new oil.
- Remove the spark plug (Fig. 14/Item D). Use an oil can to fill the cylinder with approx. 20 ml of oil. Slowly pull back the starter cord, which will bathe the cylinder wall with oil. Screw the spark plug back in.
- Be sure to clean the entire equipment to protect the paint.
- Store the equipment in a well-ventilated place or location.

8.7 Preparing the equipment for transport

- Empty the petrol tank using a petrol suction pump.
- Always let the engine run until it has used up the remainder of petrol in the tank.
- Empty the engine oil from the warm engine.
- Remove the spark plug boot (Fig. 13) from the spark plug.
- Secure the equipment, e.g. with straps, against shifting.

8.8 Ordering replacement parts

Please provide the following information on all orders for spare parts:

- Model/type of the equipment
- Article number of the equipment
- ID number of the equipment

For our latest prices and information please go to www.isc-gmbh.info

9. Disposal and recycling

The equipment is supplied in packaging to prevent it from being damaged in transit. The raw materials in this packaging can be reused or recycled. The equipment and its accessories are made of various types of material, such as metal and plastic. Defective components must be disposed of as special waste. Ask your dealer or your local council.



For EU countries only

Never place any electric power tools in your household refuse.

To comply with European Directive 2002/96/EC concerning old electric and electronic equipment and its implementation in national laws, old electric power tools have to be separated from other waste and disposed of in an environment-friendly fashion, e.g. by taking to a recycling depot.

Recycling alternative to the return request: Instead of returning the equipment to the manufacturer, the owner of the electrical equipment is obliged to ensure that the equipment is properly disposed of if he abandons ownership. The old equipment can be returned to a suitable collection point, that will dispose of the equipment in accordance with the national recycling and waste disposal regulations. This does not apply to any accessories or aids without electrical components supplied with the old equipment.

**GB/IE/
CY**

10. Troubleshooting guide

Fault	Cause	Remedy
Engine does not start	Automatic oil cut-out has not responded	Check oil level, top up engine oil
	Spark plug fouled	Clean or replace spark plug (electrode spacing 0.6 mm)
	No fuel	Refuel / have the petrol cock checked
Generator has too little or no voltage	Controller or capacitor defective	Contact your dealer
	Overcurrent circuit-breaker has triggered	Actuate the circuit-breaker and reduce the consumers
	Air filter dirty	Clean or replace the filter

11. Maintenance schedule

Please adhere to the following maintenance periods in order to ensure a failure-free operation.

Important. The equipment must be filled with engine oil and fuel before it is started.

	Before each use	After an operating period of 20 hours	After an operating period of 50 hours	After an operating period of 100 hours	After an operating period of 300 hours
Checking the engine oil	X				
Changing the engine oil		For the first time, then every 50 hours	X		
Checking the air filter	X				Change the filter insert if necessary
Cleaning the air filter			X		
Cleaning the petrol filter				X	
Visual inspection of the equipment	X				
Cleaning the spark plug			Distance: 0.6 mm, replace if necessary		
Checking and readjusting the throttle valve on the carburetor					X*
Cleaning the cylinder head					X*
Set the valve play					X*

Important: The positions marked with "x*" should only be carried out by an authorized dealer.

GB/IE/
CY

12. Declaration of conformity

Einhell Germany AG · Wiesenweg 22 · D-94405 Landau/Isar



Konformitätserklärung

- erklärt folgende Konformität gemäß EU-Richtlinie und Normen für Artikel
 explains the following conformity according to EU directives and norms for the following product
 déclare la conformité suivante selon la directive CE et les normes concernant l'article
 dichiara la seguente conformità secondo la direttiva UE e le norme per l'articolo
 verklaart de volgende overeenstemming conform EU richtlijn en normen voor het product
 declara la siguiente conformidad a tenor de la directiva y normas de la UE para el artículo
 declara a seguinte conformidade, de acordo com a directiva CE e normas para o artigo
 atterer følgende overensstemmelse i medfør af EU-direktiv samt standarder for artikel
 förklarar följande överensstämmelse enl. EU-direktiv och standarder för artikeln
 vakuuttaa, että tuote täyttää EU-direktiivin ja standardien vaatimukset
 töendab toote vastavust EL direktiivile ja standarditele
 vydává následující prohlášení o shodě podle směrnice EU a norem pro výrobek
 potrjuje sledečo skladnost s smernico EU in standardi za izdelek
 vydáva nasledujúce prehlásenie o zhode podľa smernice EÚ a noriem pre výrobok
 a cikkekez az EU-irányvonal és Normák szerint a következő konformitást jelenti ki
 deklaruje zgodność wymienionego poniżej artykułu z następującymi normami na podstawie dyrektywy WE.
 декларира съответното съответствие съгласно Директива на ЕС и норми за артикул
 paskaidro šādu atbilstību ES direktīvai un standartiem
 aribūdina šj atitikimą EU reikalavimams ir prekės normoms
 declară următoarea conformitate conform directivei UE și normelor pentru articolul
 δηλώνει την ακόλουθη συμμόρφωση σύμφωνα με την Οδηγία ΕΚ και τα πρότυπα για το προϊόν
 potvrđuje sljedeću usklađenost prema smjernicama EU i normama za artikl
 Izjava o sukladnosti za ovaj proizvod dostupna je na internet stranici www.lidl.hr.
 potvrđuje sljedeću usklađenost prema smjernicama EU i normama za artikl
 potvrđuje sledeću usklađenost prema smernicama EZ i normama za artikal
 следующим удостоверяется, что следующие продукты соответствуют директивам и нормам ЕС
 проголошує про зазначену нижче відповідність виробу директивам та стандартам ЄС на виріб
 Ürünü ile ilgili AB direktifleri ve normları gereğince aşağıda açıklanan uygunluğu belirtir
 erklærer følgende samsvar i henhold til EU-direktivet og standarder for artikkel
 Lýsir uppfyllingu EU-reglna og annarra staða vöru

Stromerzeuger PSE 2800 A1 (Parkside)

- | | |
|---|---|
| <input type="checkbox"/> 87/404/EC_2009/105/EC | <input checked="" type="checkbox"/> 2006/42/EC |
| <input type="checkbox"/> 2005/32/EC_2009/125/EC | <input type="checkbox"/> Annex IV
Notified Body:
Notified Body No.:
Reg. No.: |
| <input type="checkbox"/> 2006/95/EC | |
| <input type="checkbox"/> 2006/28/EC | |
| <input checked="" type="checkbox"/> 2004/108/EC | <input checked="" type="checkbox"/> 2000/14/EC_2005/88/EC |
| <input type="checkbox"/> 2004/22/EC | <input type="checkbox"/> Annex V |
| <input type="checkbox"/> 1999/5/EC | <input checked="" type="checkbox"/> Annex VI
Noise: measured $L_{WA} = 93,93$ dB (A); guaranteed $L_{WA} = 96$ dB (A)
P = KW; L/Ø = cm
Notified Body: TÜV SÜD Industrie Service GmbH, Westendstrasse 199,
80686 München, Deutschland (Notified Body 0036) |
| <input type="checkbox"/> 97/23/EC | |
| <input type="checkbox"/> 90/396/EC_2009/142/EC | |
| <input type="checkbox"/> 89/686/EC_96/58/EC | <input checked="" type="checkbox"/> 2004/26/EC
Emission No.: e11*97/68SA*2004/26*1338*00 |
| <input type="checkbox"/> 2011/65/EC | |

Standard references: EN 12601; EN 55012; EN 61000-6-1

Landau/Isar, den 14.09.2011

Weichselgartner/General Manager

Frank/Product-Management

First CE: 11
 Art.-No.: 41.524.14 I.-No.: 11031
 Subject to change without notice

Archive-File/Record: NAPR003981
 Documents registrar: Markus Jehl
 Wiesenweg 22, D-94405 Landau/Isar

13. GUARANTEE CERTIFICATE

Dear Customer,

All of our products undergo strict quality checks to ensure that they reach you in perfect condition. In the unlikely event that your device develops a fault, please contact our service department at the address shown on this guarantee card. Of course, if you would prefer to call us then we are also happy to offer our assistance under the service number printed below. Please note the following terms under which guarantee claims can be made:

1. These guarantee terms cover additional guarantee rights and do not affect your statutory warranty rights. We do not charge you for this guarantee.
2. Our guarantee only covers problems caused by material or manufacturing defects, and it is restricted to the rectification of these defects or replacement of the device. Please note that our devices have not been designed for use in commercial, trade or industrial applications. Consequently, the guarantee is invalidated if the equipment is used in commercial, trade or industrial applications or for other equivalent activities. The following are also excluded from our guarantee: compensation for transport damage, damage caused by failure to comply with the installation/assembly instructions or damage caused by unprofessional installation, failure to comply with the operating instructions (e.g. connection to the wrong mains voltage or current type), misuse or inappropriate use (such as overloading of the device or use of non-approved tools or accessories), failure to comply with the maintenance and safety regulations, ingress of foreign bodies into the device (e.g. sand, stones or dust), effects of force or external influences (e.g. damage caused by the device being dropped) and normal wear resulting from proper operation of the device. This applies in particular to rechargeable batteries for which we nevertheless issue a guarantee period of 12 months.

The guarantee is rendered null and void if any attempt is made to tamper with the device.
3. The guarantee is valid for a period of 3 years starting from the purchase date of the device. Guarantee claims should be submitted before the end of the guarantee period within two weeks of the defect being noticed. No guarantee claims will be accepted after the end of the guarantee period. The original guarantee period remains applicable to the device even if repairs are carried out or parts are replaced. In such cases, the work performed or parts fitted will not result in an extension of the guarantee period, and no new guarantee will become active for the work performed or parts fitted. This also applies when an on-site service is used.
4. In order to assert your guarantee claim, please send your defective device postage-free to the address shown below. Please enclose either the original or a copy of your sales receipt or another dated proof of purchase. Please keep your sales receipt in a safe place, as it is your proof of purchase. It would help us if you could describe the nature of the problem in as much detail as possible. If the defect is covered by our guarantee then your device will either be repaired immediately and returned to you, or we will send you a new device.

Of course, we are also happy offer a chargeable repair service for any defects which are not covered by the scope of this guarantee or for units which are no longer covered. To take advantage of this service, please send the device to our service address.

Einhell UK Ltd
Morpeth Wharf
Twelve Quays
Birkenhead, Wirral
CH41 1LF
Tel. 0151 6491500, Fax 0151 6491501

GR/
CY**Περιεχόμενα****Σελίδα**

1. Εισαγωγή	19
2. Υποδείξεις ασφαλείας	19-20
3. Περιγραφή της συσκευής	20
4. Ενδεδειγμένη χρήση	21
5. Τεχνικά χαρακτηριστικά	21
6. Πριν τη θέση σε λειτουργία	22
7. Χειρισμός	22-23
8. Καθαρισμός, συντήρηση, αποθήκευση, μεταφορά και παραγγελία ανταλλακτικών	23-25
9. Διάθεση στα απορρίμματα και επαναχρησιμοποίηση	25
10. Πίνακας αναζήτησης αιτίας βλάβης	26
11. Συντήρηση	27
12. Δήλωση συμμόρφωσης	28
13. Εγγύηση	29

Η ανατύπωση ή οποιασδήποτε άλλης μορφής αναπαραγωγή της τεκμηρίωσης ή άλλων δικαιολογητικών που αναφέρονται στα προϊόντα, ακόμη και αποσπασματικά, επιτρέπεται μόνο με ρητή συγκατάθεση της ISC GmbH.

Με επιφύλαξη τεχνικών τροποποιήσεων

1. Εισαγωγή

⚠ Προσοχή!

Κατά τη χρήση των συσκευών πρέπει, προς αποφυγή τραυματισμών, να τηρούνται και να λαμβάνονται ορισμένα μέτρα ασφαλείας. Διαβάστε για το λόγο αυτό προσεκτικά τις Οδηγίες χρήσης / Υποδείξεις ασφαλείας. Φυλάξτε τις καλά για να έχετε τις πληροφορίες πάντα στη διάθεσή σας. Εάν παραδώσετε τη συσκευή σε άλλα άτομα, δώστε μαζί και αυτές τις Οδηγίες χρήσης / Υποδείξεις ασφαλείας. Δεν αναλαμβάνουμε καμία ευθύνη για ατυχήματα ή βλάβες που οφείλονται σε μη τήρηση αυτών των Οδηγιών χρήσης και των Υποδείξεων ασφαλείας.

2. Υποδείξεις ασφαλείας

- Δεν επιτρέπονται μεταβολές της γεννήτριας.
- Για συντήρηση και αξεσουάρ επιτρέπεται μόνο η χρήση γνήσιων ανταλλακτικών.
- Προσοχή: Κίνδυνος δηλητηρίασης, τα απαέρια, τα καύσιμα και τα λιπαντικά είναι τοξικά, δεν επιτρέπεται η εισπνοή απαερίων.
- Να κρατάτε τα παιδιά μακριά απ'οτη γεννήτρια.
- Προσοχή: Κίνδυνος εγκαύματος, μην αγγίζετε το σύστημα απαερίων και τη μονάδα μετάδοσης κίνησης
- Να χρησιμοποιείτε κατάλληλη ηχοπροστασία όταν βρίσκεστε κοντά στη συσκευή.
- Προσοχή: Η βενζίνη και οι ατμοί της βενζίνης είναι εύφλεκτοι ή και εκρηκτικοί.
- Μη χρησιμοποιείτε τη γεννήτρια σε μη αεριζόμενους χώρους ή σε εύφλεκτο περιβάλλον. Όταν χρησιμοποιείτε τη γεννήτρια σε καλά αεριζόμενους χώρους, πρέπει τα απέρια να οδηγηθούν με σωλήνα απευθείας στο ύπαιθρο. Προσοχή: Ακόμη και με χρήση σωλήνα απαερίων δεν αποκλείεται η διαφυγή τοξικών απαερίων. Λόγω του κινδύνου πυρκαγιάς δεν επιτρέπεται ποτέ να κατευθυνθεί ο σωλήνας απαερίων προς εύφλεκτα υλικά.

- Κίνδυνος έκρηξης: Η γεννήτρια να μη λειτουργεί ποτέ σε χώρους με εύφλεκτα υλικά.
- Ο από τον κατασκευαστή προρυθμισμένος αριθμός στροφών δεν επιτρέπεται να αλλαχτεί. Μπορεί να υποστούν βλάβη η γεννήτρια ή οι συνδεδεμένες συσκευές.
- Κατά τη διάρκεια της μεταφοράς να ασφαρίζετε τη γεννήτρια κατά ολίσθησης και πτώσης.
- Να τοποθετείτε τη γεννήτρια τουλάχιστον 1 μέτρο μακριά από τοίχους ή συνδεδεμένες συσκευές.
- Να τοποθετείτε τη γεννήτρια σε ασφαλή, επίπεδη θέση. Απαγορεύεται η περιστροφή ή η κλίση της ή η αλλαγή της θέσης της κατά τη διάρκεια της λειτουργίας.
- Κατά τη μεταφορά και την πλήρωση με καύσιμο
- Προσέξτε να μη χυθεί καύσιμο πάνω στον κινητήρα ή την εξάτμιση.
- Μη λειτουργείτε την γεννήτρια ποτέ στη βροχή ή στο χιόνι.
- Ποτέ μη πιάνετε τη γεννήτρια με υγρά χέρια.
- Προστατευθείτε από ηλεκτροπληξία.
- Στο ύπαιθρο να χρησιμοποιείτε μόνο τα για το σκοπό αυτό εγκεκριμένες μπαλαντέζες με την ανάλογη σήμανση (H07RN..)
- Εάν χρησιμοποιείτε μπαλαντέζες, το μήκος τους δεν επιτρέπεται να είναι πάνω από 50m για 1,5mm² και 100m για 2,5mm².
- Δεν επιτρέπονται οποιεσδήποτε μεταβολές στις ρυθμίσεις του κινητήρα ή της γεννήτριας.
- Επισκευές και εργασίες ρύθμισης να εκτελούνται μόνο από εξειδικευμένο προσωπικό συμβεβλημένου συνεργείου.
- Μη συμπληρώνετε ή μην εκκενώνετε καύσιμο κοντά σε ανοικτή πηγή φωτός, κοντά σε φωτιά ή σε σημεία σπινθηροβολίας. Μη καπνίζετε!
- Μην αγγίζετε μηχανικά κινούμενα ή καυτά τμήματα. Αφαιρέστε τα προστατευτικά καλύμματα.
- Οι συσκευές δεν επιτρέπεται να εκτίθενται σε υγρασία ή σκόνη. Επιτρεπτή θερμοκρασία περιβάλλοντος -10 έως +40°,

GR/
CY

ύψος: 1000 m άνω NN, σχ. υγρασία: 90% (χωρίς σχηματισμό συμπυκνώματος)

- Η γεννήτρια κινείται με κινητήρα καύσης, ο οποίος δημιουργεί θερμότητα στην περιοχή της εξάτμισης (στην άλλη πλευρά, απέναντι από την πρίζα) και της εξόδου της εξάτμισης. Να αποφεύγετε να πλησιάζετε τις επιφάνειες αυτές λόγω του κινδύνου δερματικών εγκαυμάτων.
- Στα τεχνικά χαρακτηριστικά αναφέρονται τιμές εκπομπής θορύβων για στάθμη ηχητικής πίεσης (LWA) και στάθμη ακουστικής ισχύος (LpA) που δεν παριστάνουν οπωσδήποτε ασφαλείς τιμές στάθμης στον τόπο εργασίας. Επειδή σχετίζονται οι τιμές εκπομπής θορύβου και οι τιμές εισροής θορύβου, η τιμή αυτή δεν μπορεί να αποτελέσει αξιόπιστη βάση για τον προσδιορισμό ενδεχόμενων απαραίτητων πρόσθετων μέτρων προστασίας. Παράγοντες που επιδρούν στην επικρατούσα στάθμη εισροής θορύβων κατά την εργασία περιλαμβάνουν τις ιδιότητες του χώρου εργασίας, άλλες πηγές θορύβων, κλπ. όπως π.χ. τον αριθμό των μηχανών και άλλων γειτονικών διαδικασιών, και το χρονικό διάστημα έκθεσης του χειριστή στο θόρυβο. Επίσης μπορεί η επιτρεπτή τιμή εισροής θορύβων να διαφέρει από χώρα σε χώρα. Παρ'όλα αυτά η πληροφορία αυτή παρέχει στην επιχείρηση, στην οποία λειτουργεί η μηχανή, τη δυνατότητα καλύτερης εκτίμησης των κινδύνων.

Προσοχή: Να χρησιμοποιείτε μόνο αμόλυβδη βενζίνη σαν καύσιμο.

⚠ ΠΡΟΕΙΔΟΠΟΙΗΣΗ

Διαβάστε όλες τις Υποδείξεις ασφαλείας και τις Οδηγίες. Σε περίπτωση παραλείψεων κατά την τήρηση των Υποδείξεων ασφαλείας η συνέπεια μπορεί να είναι ηλεκτροπληξία, πυρκαγιά και/ή σοβαροί τραυματισμοί.

Φυλάξτε για μελλοντική χρήση όλες τις Υποδείξεις ασφαλείας και τις οδηγίες.

Εξήγηση των πινακίδων με υποδείξεις επάνω στη συσκευή (εικ. 15)

- 1. Προσοχή!** Διαβάστε τις Οδηγίες χρήσης.
- 2. Προσοχή!** Καυτά τμήματα. Να κρατάτε απόσταση.
- 3. Προσοχή!** Όταν βάζετε βενζίνη να σβήνετε τον κινητήρα.
- 4. Προσοχή!** Μη χρησιμοποιείτε τη γεννήτρια σε μη αεριζόμενους χώρους.

3. Περιγραφή της συσκευής (εικ. 1-5)

- 1 Ένδειξη ντεπόζιτου
- 2 Καπάκι ντεπόζιτου
- 3 2 x 230 V~ πρίζες
- 4 Σύνδεση γείωσης
- 5 Ασφάλεια υπερφόρτωσης
- 6 Βολτόμετρο
- 7 Βίδα πλήρωσης λαδιού
- 8 Βίδα εκκένωσης λαδιού
- 9 Ασφάλεια έλλειψης λαδιού
- 10 Διακόπτης ενεργοποίησης/απενεργοποίησης
- 11 Μοχλός τσοκ
- 12 Σύστημα σχοινού εκκίνησης
- 13 Βαλβίδα βενζίνης
- 14 Τροχοί
- 15 Άξονας τροχού
- 16 Βάση
- 17 Στήριγμα βραχίονα ώθησης
- 18 Βραχίονας ώθησης
- 19 Βίδες M8x40
- 20 Βίδες M8x16
- 21 Ροδέλες για τροχούς
- 22 Ασφαλιστικές περόνες για τροχούς
- 23 Παξιμάδια M8
- 24 Κατσαβίδι
- 25 Κλειδί για μπουζί
- 26 Χωνί πλήρωσης λαδιού

4. Ενδεδειγμένη χρήση

Η συσκευή είναι κατάλληλη για τις χρήσεις που προβλέπουν λειτουργία σε πηγή εναλλασσόμενης τάσης 230V.

Να προσέχετε οπωσδήποτε τους περιορισμούς στις υποδείξεις ασφαλείας. Σκοπός της γεννήτριας είναι η κίνηση ηλεκτρικών εργαλείων και η τροφοδότηση φωτιστικών πηγών. Στις οικιακές συσκευές παρακαλούμε να ελέγχετε πρώτα την καταλληλότητα βάσει των στοιχείων του κατασκευαστή. Σε περίπτωση αμφιβολιών ρωτήστε το για την εκάστοτε συσκευή ειδικό συμβεβλημένο κατάστημα.

Η μηχανή να χρησιμοποιείται μόνο για το σκοπό για τον οποίο προορίζεται. Κάθε πέραν τούτου χρήση δεν είναι ενδεδειγμένη. Για ζημιές ή τραυματισμούς παντός είδους που οφείλονται σε μη ενδεδειγμένη χρήση ευθύνεται ο χρήστης / χειριστής και όχι ο κατασκευαστής.

Παρακαλούμε να προσέξετε, πως οι συσκευές μας δεν έχουν κατασκευαστεί για επαγγελματική, βιοτεχνική και βιομηχανική χρήση. Δεν αναλαμβάνουμε καμία εγγύηση, εάν η συσκευή χρησιμοποιηθεί σε βιοτεχνίες ή βιομηχανίες ή σε παρόμοιες εργασίες.

5. Τεχνικά χαρακτηριστικά

Γεννήτρια:	σύγχρονη
Είδος προστασίας:	IP23
Διαρκής ισχύς P_{nenn} (S1):	2600 W
Μέγιστη ισχύς P_{max} (S2 2 min):	2800 W
Ονομαστική τάση U_{nenn} :	2 x 230V~
Ονομαστικό ρεύμα: I_{nenn} :	11,3 A
Συχνότητα F_{nenn} :	50 Hz
Είδος κατασκευής κινητήριας μηχανής: κινητήρας τετράχρονος, υδρόψυκτος	
Κυβισμός:	207,7 cm ³
Καύσιμο:	Βενζίνη
Χωρητικότητα ντεπόζιτου:	15 l
Λάδι κινητήρα:	περ. 0,6 l (15W40)
Κατανάλωση σε 2/3 φορτίου:	περ. 1,36 l/h
Βάρος:	42 kg
Στάθμη ηχητικής πίεσης L_{pA} :	76 dB (A)
Στάθμη ακουστικής ισχύος L_{WA} :	96 dB (A)
Αβεβαιότητα K	2,07 dB (A)
Συντελεστής ισχύος $\cos \varphi$:	1
Κλάση ισχύος:	G1
Μέγιστη θερμοκρασία:	40°C
Μέγ. ύψος τοποθέτησης (υψόμετρο):	1000 m
Μπουζί:	F7 RTC

Είδος λειτουργίας S1 (συνεχής λειτουργία)

Η μηχανή μπορεί να λειτουργήσει συνεχώς με την αναφερόμενη ισχύ.

Είδος λειτουργίας S2 (σύντομη λειτουργία)

Η μηχανή επιτρέπεται να λειτουργήσει μόνο για ένα σύντομο χρονικό διάστημα με την αναφερόμενη ισχύ (2 λεπτά).

6. Πριν τη θέση σε λειτουργία

6.1. Συναρμολόγηση

Για την συναρμολόγηση της συσκευής χρειάζεστε δύο διπλά κλειδιά (μέγεθος κλειδιού 12)

- Συναρμολογήστε το πόδι (16), τους τροχούς (14) και τον βραχίονα ώθησης (18) όπως παριστάνεται στις απεικονίσεις 6-9.
- Συναρμολογήστε όλα τα τμήματα πριν γεμίσετε καύσιμο και λάδι για να αποφύγετε την εκροή υγρών.
- Για τη συναρμολόγηση των τροχών σπρώξτε πρώτα τον άξονα του τροχού (15) από τα στηρίγματα στην κάτω πλευρά της γεννήτριας και συναρμολογήστε τους τροχούς (14) όπως φαίνεται στην εικόνα 7.
- Προσέξτε κατά τη συναρμολόγηση του βραχίονα (18) να δείχνει η λοξή πλευρά (εικ. 9/αρ. Ε) προς τα έξω, ώστε να μπορεί να αναδιπλωθεί σωστά.

6.2 Ηλεκτρική ασφάλεια:

- Τα ηλεκτρικά καλώδια και οι συνδεδεμένες συσκευές πρέπει να είναι σε άψογη κατάσταση.
- Επιτρέπεται μόνο η σύνδεση συσκευών των οποίων συμφωνεί η τάση με την τάση εξόδου της γεννήτριας.
- Ποτέ μη συνδέετε τη γεννήτρια με το δίκτυο (πρίζα).
- Τα καλώδια προς τον καταναλωτή να είναι όσο λιγότερο μακριά γίνεται.

6.3 Προστασία περιβάλλοντος

- Να παραδίδετε ακάθαρτα υλικά εργασιών συντήρησης και βοηθητικές ύλες στα για το σκοπό αυτό λειτουργούντα κέντρα συλλογής.
- Να παραδίδετε τα υλικά συσκευασίας, μέταλλα και πλαστικά υλικά για ανακύκλωση.

6.4 Γείωση

Για την απαγωγή στατικού ηλεκτρισμού επιβάλλεται η γείωση του περιβλήματος. Για το σκοπό αυτό συνδέστε ένα καλώδιο στη μία πλευρά στη σύνδεση γείωσης της γεννήτριας (εικ. 3/αρ. 4) και στην άλλη πλευρά με εξωτερική γείωση.

7. Χειρισμός

Προσοχή! Κατά την πρώτη θέση σε λειτουργία πρέπει να γεμίσετετε λάδι κινητήρα (περ. 0,6 λίτρα) και καύσιμο.

- Να ελέγχετε τη στάθμη καυσίμου και λαδιού κινητήρα και ενδεχομένως να συμπληρώνετε
- Να φροντίζετε για επαρκή αερισμό της συσκευής.
- Σιγουρευτείτε πως το καλώδιο έναυσης έχει στερεωθεί στο μπουζί.
- Να παρατηρείτε τον χώρο κοντά στη γεννήτρια.
- Αποσυνδέστε από τη γεννήτρια ενδεχομένως συνδεδεμένες ηλεκτρικές συσκευές.

7.1 Εκκίνηση κινητήρα

Προσοχή!

Κατά την εκκίνηση με το κορδόνι (12) μπορεί να προκληθεί δυνατή αντίκρουση από τον εκκινούμενο κινητήρα και να προκληθούν έτσι τραυματισμοί στο χέρι. Κατά την εκκίνηση να φοράτε πάντα προστατευτικά γάντια.

- Ανοίξτε τη βαλβίδα της βενζίνης (13) στρίβοντας την προς τα κάτω.
- Φέρτε τον διακόπτη ενεργοποίησης/απενεργοποίησης (10) στη θέση „ON“.
- Βάλτε το τσοκ (11) στη θέση I Ø I.
- Βάλτε μπροστά τον κινητήρα με το κορδόνι (12) τραβώντας δυνατά από τη λαβή. Εάν δεν πάρει μπροστά η μηχανή, ξανατραβήξτε από τη λαβή.
- Σπρώξτε το τσοκ (11) πάλι πίσω μετά την εκκίνηση του κινητήρα.

7.2 Φόρτωση της γεννήτριας

- Συνδέστε τις συσκευές στις πρίζες 230 V~ (3)

Προσοχή: Για αυτές τις πρίζες επιτρέπεται συνεχές φορτίο (S1) 2600 W και για περιορισμένο χρονικό διάστημα (S2) επί μέγιστου 2 λεπτά με 2800W.

- Η γεννήτρια προορίζεται για συσκευές εναλλασσόμενης τάσης 230 V~
- Μη συνδέετε τη γεννήτρια σε οικιακό δίκτυο, διότι έτσι μπορεί να προκληθεί η βλάβη της γεννήτριας ή άλλων ηλεκτρικών συσκευών στο σπίτι.

Υπόδειξη: Μερικές ηλεκτρικές συσκευές (πριόνια, τρυπάνια κλπ.) μπορεί να καταναλώνουν περισσότερο ρεύμα, όταν λειτουργούν υπό δυσχερείς συνθήκες.

7.3 Σβήστε τον κινητήρα

- Αφήστε τη γεννήτρια να λειτουργήσει σύντομα χωρίς φορτίο πριν την απενεργοποιήσετε, για να κρυώσει λίγο το μηχανήμα.
- Βάλτε τον διακόπτη ενεργοποίησης/απενεργοποίησης (10) στη θέση „OFF“.
- Κλείστε τη βάνα για τη βενζίνη (13).

7.4 Προστασία υπερφόρτωσης πρίζες 2x 230 V

Προσοχή! Η συσκευή είναι εξοπλισμένη με σύστημα προστασίας από υπερφόρτωση.

Το σύστημα αυτό απενεργοποιεί τις πρίζες (3). Με πίεση του συστήματος προστασίας από υπερφόρτωση (5) μπορούν να επαναλειτουργήσουν οι πρίζες (3).

Προσοχή! Στην περίπτωση αυτή μειώστε την ηλεκτρική ισχύ που απορροφάτε από τη γεννήτρια ή απομακρύντε τις ελαττωματικές συνδεδεμένες συσκευές.

Προσοχή! Οι ελαττωματικοί διακόπτες προστασίας από υπερφόρτωση επιτρέπεται να αντικατασταθούν μόνο

από διακόπτες με τα ίδια στοιχεία ισχύος. Σε περίπτωση αποριών να αποτανθείτε προς το τμήμα εξυπηρέτησης.

8. Καθαρισμός, συντήρηση, αποθήκευση, μεταφορά και παραγγελία ανταλλακτικών

Πριν από όλες τις εργασίες καθαρισμού και συντήρησης να σβήνετε τον κινητήρα και να βγάζετε το βύσμα του μπουζί από το μπουζί.

Προσοχή: Απενεργοποιήστε αμέσως τη συσκευή και αποτανθείτε προς το συνεργείο οσέρβις:

- Σε περίπτωση πριέργων δονήσεων ή θορύβων
- Εάν νομίζετε πως υπερφορτώνεται ο κινητήρας ή παρουσιάζει αστοχίες

8.1 Καθαρισμός

- Να διατηρείτε τα συστήματα προστασίας, τις σχισμές αερισμού (εικ. 2/αρ. L) και το κέλυφος του κινητήρα όσο πιο καθαρά και ελεύθερα από σκόνη γίνονται. Σκουπίζετε τη συσκευή με ένα καθαρό πανί, ή καθαρίστε το με πεπαισμένο αέρα σε χαμηλή πίεση.
- Συνιστούμε να καθαρίζετε τη συσκευή αμέσως μετά από κάθε χρήση.
- Να καθαρίζετε τη συσκευή τακτικά με ένα νωπό πανί και λίγο μαλακό σαπούνι. Μη χρησιμοποιείτε καθαριστικά ή διαλύτες, γιατί δεν αποκλείεται να καταστρέψουν την επιφάνεια της συσκευής. Προσέξτε να μην περάσει νερό στο εσωτερικό της συσκευής.

8.2 Φίλτρο αέρα

Προσέξτε τις πληροφορίες σέρβις.

- Να καθαρίζετε τακτικά το φίλτρο του αέρα, εάν χρειαστεί να το αντικαταστήσετε.
- Ανοίξτε και τους δύο συνδετήρες (εικ. 11/A) και αφαιρέστε το καπάκι του φίλτρου του αέρα (εικ. 11 /B).
- Αφαιρέστε τα στοιχεία του φίλτρου (εικ. 12/C)

- Για τον καθαρισμό των στοιχείων δεν επιτρέπεται να χρησιμοποιηθούν διαβρωτικά καθαριστικά ή βενζίνη.
- Καθαρίστε τα στοιχεία με ελαφρό κτύπημα σε επίπεδη επιφάνεια. Σε περίπτωση επίμονων ακαθαρσιών να πλυθούν με σαπουνόνερο, κατόπιν να ξεπλυθούν με καθαρό νερό και να τα αφήσετε να στεγνώσουν στον αέρα.
- Η συναρμολόγηση εκτελείται στην αντίστροφη σειρά.

8.3 Μπουζί (εικ. 13-14)

Να ελέγξετε για πρώτη φορά το μπουζί μετά από 20 ώρες λειτουργίας για ακαθαρσίες και καθαρίστε το ενδεχομένως με χάλκινη σφραματόβουρτσα. Κατόπιν η συντήρηση του μπουζί να γίνεται κάθε 50 ώρες λειτουργίας.

- Για το σκοπό αυτό τραβήξτε το βύσμα του μπουζί (εικ. 13) με περιστροφική κίνηση.
- Απομακρύντε το μπουζί (εικ. 14/D) με το συμπαραδιδόμενο κλειδί για το μπουζί (25).
- Η συναρμολόγηση εκτελείται στην αντίστροφη σειρά.

8.4 Αλλαγή λαδιού, έλεγχος στάθμης λαδιού (πριν από κάθε χρήση)

Η αλλαγή του λαδιού του κινητήρα να εκτελείται σε θερμό κινητήρα.

- Να χρησιμοποιείτε μόνο λάδι για κινητήρες (15W40)
- Τοποθετήστε τη γεννήτρια σε κατάλληλη επιφάνεια, ελαφριά λοξά προς τη βίδα εκκένωσης λαδιού (8).
- Ανοίξτε τη βίδα πλήρωσης λαδιού (7)
- Ανοίξτε τη βίδα εκκένωσης λαδιού και εκκενώστε το θερμό λάδι σε δοχείο περισυλλογής.
- Αφού εκκενωθεί το μεταχειρισμένο λάδι, κλείστε τη βίδα εκκένωσης λαδιού και επαναστήστε τη γεννήτρια στα ίσια.
- Γεμίστε λάδι κινητήρα μέχρι το επάνω σημάδι της ράβδου μέτρησης λαδιού (περ. 0,6 l).
- Προσοχή: Μη βιδώνετε το μπαστούνακι μέτρησης λαδιού (βίδα στομίου πλήρωσης λαδιού) για τον έλεγχο της στάθμης του λαδιού, αλλά να το βάζετε μέσα μέχρι το σπειρώμα.

- Το μεταχειρισμένο λάδι πρέπει να διατεθεί στα απορρίμματα σύμφωνα με τις ισχύουσες διατάξεις.

8.5 Αυτόματο σύστημα απενεργοποίησης σε χαμηλή στάθμη λαδιού

Το αυτόματο σύστημα απενεργοποίησης ενεργοποιείται σε περίπτωση χαμηλής στάθμης λαδιού στον κινητήρα. Στις περιπτώσεις αυτές δεν μπορεί να εκκινηθεί ο κινητήρας ή σβήνει μετά από σύντομο χρονικό διάστημα. Η εκκίνηση του κινητήρα είναι δυνατή μόνο αφού γεμιστεί πάλι λάδι (βλέπε εδάφιο 8.4).

8.6 Προετοιμασία για την αποθήκευση

Προειδοποίηση: Μην αφαιρείτε τη βενζίνη σε κλειστούς χώρους, κοντά σε φωτιά ή όταν καπνίζετε. Οι ατμοί του αερίου μπορεί να προκαλέσουν εκρήξεις ή πυρκαγιά.

- Να αδειάζετε το ρεζερβουάρ βενζίνης με αντλία για αναρρόφηση βενζίνης.
- Βάλτε μπροστά τον κινητήρα και αφήστε τον να λειτουργήσει μέχρι να καταναλωθεί η υπόλοιπη βενζίνη.
- Σε κάθε σαιζόν να κάνετε αλλαγή λαδιού. Για το σκοπό αυτό αφαιρείτε το παλιό λάδι από τον θερμό κινητήρα και γεμίστε νέο λάδι.
- Απομακρύντε το μπουζί (εικ. 14/αρ. D). Γεμίστε με μία κανάτα λαδιού περ. 20ml λάδι κινητήρα στον κύλινδρο. Τραβήξτε αργά τη λαβή εκκίνησης, έτσι ώστε το λάδι να προστατεύει εσωτερικά τον κύλινδρο. Επαναβιδώστε το μπουζί.
- Καθαρίστε όλη τη συσκευή για να προστατέψετε το βερνίκι.
- Να φυλάγετε τη μηχανή πάντα σε καλά αεριζόμενο μέρος.

8.7 Προετοιμασία για μεταφορά

- Να αδειάζετε το ρεζερβουάρ βενζίνης με αντλία για αναρρόφηση βενζίνης.
- Αφήστε τον κινητήρα να λειτουργήσει μέχρι να καταναλωθεί η υπόλοιπη βενζίνη.
- Αδειάστε το λάδι από τον θερμό κινητήρα.
- Για το σκοπό αυτό τραβήξτε το βύσμα του μπουζί (εικ. 13) από το μπουζί.
- Ασφαλίστε τη συσκευή, για παράδειγμα με

ζώνες σύσφιξης, κατά ενδεχόμενης ολίσθησης.

8.8 Παραγγελία ανταλλακτικών:

Κατά την παραγγελία ανταλλακτικών να αναφέρετε τα εξής:

- Τύπος της συσκευής
- Αριθμός είδους της συσκευής
- Αριθμός ταύτισης της συσκευής

Θα βρείτε τις ισχύουσες τιμές και πληροφορίες στην ιστοσελίδα www.isc-gmbh.info

περίπτωση που δεν συνεχίζει να χρησιμοποιεί τη συσκευή. Η παλιά συσκευή μπορεί να παραχωρηθεί σε κέντρο επιστροφής ηλεκτρικών συσκευών με την έννοια των εθνικών νόμων ανακύκλωσης και διαχείρισης αποβλήτων. Δεν συμπεριλαμβάνονται τα τμήματα παλιών συσκευών και τα βοηθητικά στοιχεία χωρίς ηλεκτρικά εξαρτήματα.

9. Διάθεση στα απορρίμματα και επαναχρησιμοποίηση

Η συσκευή βρίσκεται σε μία συσκευασία προς αποφυγή ζημιών κατά τη μεταφορά. Αυτή η συσκευασία αποτελείται από πρώτες ύλες και έτσι μπορεί να επαναχρησιμοποιηθεί ή να ανακυκλωθεί. Η συσκευή και τα εξαρτήματά της αποτελούνται από διάφορα υλικά, όπως π.χ. μέταλλο και πλαστικά υλικά. Να παραδίδετε τα ελαττωματικά εξαρτήματα σε κέντρα συλλογής ειδικών απορριμμάτων. Ενημερωθείτε στα ειδικά καταστήματα ή στην διοίκηση της κοινότητας!



Μόνο για κράτη-μέλη της Ε.Ε.

Μη πετάτε τις ηλεκτρικές συσκευές στα οικιακά απορρίμματα!

Σύμφωνα με την ευρωπαϊκή Οδηγία 2002/96/ΕΚ για απόβλητα ειδών ηλεκτρικού και ηλεκτρονικού εξοπλισμού και την ενσωμάτωσή της σε εθνικό δίκαιο, πρέπει η παλιές ηλεκτρικές συσκευές να συγκεντρώνονται και να παραδίδονται για ανακύκλωση φιλική για το περιβάλλον.

Εναλλακτική λύση ανακύκλωσης αντί για επιστροφή

Ο ιδιοκτήτης της ηλεκτρικής συσκευής υποχρεούται αντί της επιστροφής να συμβάλει στη σωστή ανακύκλωση σε

GR/
CY**10. Πίνακας αναζήτησης αιτίας βλάβης**

Βλάβη	Αιτία	Αποκατάσταση
Δεν παίρνει μπροστά ο κινητήρας	Αποκρίνεται το σύστημα απενεργοποίησης σε χαμηλή στάθμη λαδιού Καπνισμένο μπουζί δεν υπάρχει καύσιμο	Έλεγχος στάθμης λαδιού, συμπλήρωση λαδιού κινητήρα Καθαρισμός του μπουζί, ή αντικατάστασή του. Απόσταση ηλεκτροδίων 0,6mm Συμπληρώστε καύσιμο / να ελεγχθεί η βαλβίδα βενζίνης
Η γεννήτρια έχει πολύ χαμηλή ή καθόλου τάση	Ελαττωματικός ρυθμιστής ή συμπυκνωτής Αποκρίθηκε ο διακόπτης ασφαλείας Ακάθαρτο φίλτρο αέρα	Συμβουλευθείτε ειδικό κατάστημα Πιέστε το διακόπτη και μειώστε τους καταναλωτές Καθαρίστε ή αντικαταστήστε το

11. Συντήρηση

Να τηρούνται οπωσδήποτε οι επόμενες προθεσμίες συντήρησης ώστε να εξασφαλιστεί μία ομαλή λειτουργία. **Προσοχή! Κατά την πρώτη θέση σε λειτουργία πρέπει να γεμίσετε λάδι κινητήρα και καύσιμο.**

	Πριν από κάθε χρήση	Μετά από λειτουργία 20 ωρών	Μετά από λειτουργία 50 ωρών	Μετά από λειτουργία 100 ωρών	Μετά από λειτουργία 300 ωρών
Έλεγχος λαδιού του κινητήρα	X				
Αλλαγή λαδιού του κινητήρα		Πρώτη φορά μετά κάθε 50 ώρες	X		
Έλεγχος του φίλτρου αέρα	X				Ενδεχ. αλλά στοιχείου φίλτρου
Καθαρισμός του φίλτρου του αέρα			X		
Καθαρισμός του φίλτρου της βενζίνης				X	
Οπτικός έλεγχος της συσκευής	X				
Καθαρισμός του μπουζί			Απόσταση 0,6 mm, ενδεχ. αντικατάσταση		
Έλεγχος και επαναρύθμιση της στραγγαλιστικής βαλβίδας στο καρμπυρατέρ					X*
Καθαρισμός της κυλινδροκεφαλής					X*
Ρύθμιση ανοχής βαλβίδας					X*

Προσοχή: Οι εργασίες που σημειώνονται με „X*“ πρέπει να εκτελούνται από συμβεβλημένο συνεργείο.

GR/
CY

12. Δήλωση Συμμόρφωσης

Einhell Germany AG · Wiesenweg 22 · D-94405 Landau/Isar



Konformitätserklärung

- erklärt folgende Konformität gemäß EU-Richtlinie und Normen für Artikel
 explains the following conformity according to EU directives and norms for the following product
 déclare la conformité suivante selon la directive CE et les normes concernant l'article
 dichiara la seguente conformità secondo la direttiva UE e le norme per l'articolo
 verklaart de volgende overeenstemming conform EU richtlijn en normen voor het product
 declara la siguiente conformidad a tenor de la directiva y normas de la UE para el artículo
 declara a seguinte conformidade, de acordo com a directiva CE e normas para o artigo
 atterer følgende overensstemmelse i medfør af EU-direktiv samt standarder for artikel
 förklarar följande överensstämmelse enl. EU-direktiv och standarder för artikeln
 vakuuttaa, että tuote täyttää EU-direktiivin ja standardien vaatimukset
 tõendab toote vastavust EL direktiivile ja standarditele
 vydává následující prohlášení o shodě podle směrnice EU a norem pro výrobek
 potrjuje sledečo skladnost s smernico EU in standardi za izdelek
 vydáva nasledujúce prehlásenie o zhode podľa smernice EÚ a noriem pre výrobok
 a cikkekez az EU-irányvonal és Normák szerint a következő konformitást jelenti ki
 deklaruje zgodność wymienionego poniżej artykułu z następującymi normami na podstawie dyrektywy WE.
 декларира съответното съответствие съгласно Директива на ЕС и норми за артикул
 paskaidro šādu atbilstību ES direktīvai un standartiem
 aribūdina šj atitikimą EU reikalavimams ir prekės normoms
 declară următoarea conformitate conform directivei UE și normelor pentru articolul
 δηλώνει την ακόλουθη συμμόρφωση σύμφωνα με την Οδηγία ΕΚ και τα πρότυπα για το προϊόν
 potvrđuje sljedeću usklađenost prema smjernicama EU i normama za artikl
 Izjava o sukladnosti za ovaj proizvod dostupna je na internet stranici www.lidl.hr.
 potvrđuje sljedeću usklađenost prema smjernicama EU i normama za artikl
 potvrđuje sledeću usklađenost prema smernicama EZ i normama za artikal
 следующим удостоверяется, что следующие продукты соответствуют директивам и нормам ЕС
 проголошує про зазначену нижче відповідність виробу директивам та стандартам ЄС на виріб
 Ürünü ile ilgili AB direktifleri ve normları gereğince aşağıda açıklanan uygunluğu belirtir
 erklærer følgende samsvar i henhold til EU-direktivet og standarder for artikkel
 Lýsir uppfyllingu EU-reglna og annarra staða vöru

Stromerzeuger PSE 2800 A1 (Parkside)

- 87/404/EC_2009/105/EC
 2005/32/EC_2009/125/EC
 2006/95/EC
 2006/28/EC
 2004/108/EC
 2004/22/EC
 1999/5/EC
 97/23/EC
 90/396/EC_2009/142/EC
 89/686/EC_96/58/EC
 2011/65/EC
 2006/42/EC
 Annex IV
 Notified Body:
 Notified Body No.:
 Reg. No.:
 2000/14/EC_2005/88/EC
 Annex V
 Annex VI
 Noise: measured $L_{WA} = 93,93$ dB (A); guaranteed $L_{WA} = 96$ dB (A)
 P = KW; L/Ø = cm
 Notified Body: TÜV SÜD Industrie Service GmbH, Westendstrasse 199,
 80686 München, Deutschland (Notified Body 0036)
 2004/26/EC
 Emission No.: e11*97/68SA*2004/26*1338*00

Standard references: EN 12601; EN 55012; EN 61000-6-1

Landau/Isar, den 14.09.2011

Weichselgartner/General Manager

Frank/Product-Management

First CE: 11
 Art.-No.: 41.524.14 I.-No.: 11031
 Subject to change without notice

Archive-File/Record: NAPR003981
 Documents registrar: Markus Jehl
 Wiesenweg 22, D-94405 Landau/Isar

13. ΕΓΓΥΗΣΗ

Αξιότιμη πελάτισσα, αξιότιμε πελάτη,

Τα προϊόντα μας υπόκεινται σε αυστηρούς ελέγχους ποιότητας. Εάν παρ'όλα αυτά κάποτε δεν λειτουργήσουν άψογα, λυπούμαστε πολύ και σας παρακαλούμε να αποτανθείτε προς το τμήμα Εξυπηρέτησης Πελατών, στη διεύθυνση που αναφέρετε σε αυτή την εγγύηση. Ευχαρίστως σας βοηθήσουμε και τηλεφωνικώς στον αριθμό που αναφέρετε πιο κάτω. Για την κατίσχυση των αξιώσεων εγγύησης ισχύουν τα εξής:

1. Αυτοί οι όροι εγγύησης ρυθμίζουν πρόσθετες παροχές εγγύησης. Από την εγγύηση αυτή δεν τίγονται οι νόμιμες αξιώσεις σας για εγγύηση. Η παροχή της εγγύησής μας είναι για σας δωρεάν.
 2. Η εγγύηση καλύπτει αποκλειστικά και μόνο βλάβες που οφείλονται σε ελαττώματα υλικών ή παραγωγής και περιορίζονται στην αποκατάσταση αυτών των ελαττωμάτων ή την αντικατάσταση της συσκευής. Παρακαλούμε να προσέξετε πως οι συσκευές μας δεν προορίζονται για τη βιομηχανία, τη βιοτεχνία και την επαγγελματική χρήση. Για το λόγο αυτό δεν υφίσταται σύμβαση εγγύησης σε περίπτωση χρήσης της συσκευής στη βιομηχανία, βιοτεχνία, για επαγγελματικό ή άλλο παρόμοιο σκοπό. Από την εγγύησή μας αποκλείονται πέραν τούτου αποζημιώσεις για βλάβες μεταφοράς, βλάβες οφειλόμενες σε μη τήρηση της Οδηγίας συναρμολόγησης, ή σε εσφαλμένη εγκατάσταση, μη τήρηση της Οδηγίας χρήσης (π.χ. σύνδεση σε λάθος τάση δικτύου ή είδος ρεύματος), καταχρηστική ή όχι ορθή χρήση (π.χ. υπερφόρτωση ή χρήση μη εγκεκριμένων ανταλλακτικών εργαλείων ή εξαρτημάτων), μη τήρηση των Υποδείξεων συντήρησης και ασφαλείας, είσοδος ξένων αντικειμένων στη συσκευή (όπως π.χ. άμμος ή σκόνη), χρήση βίας ή εξωτερική επίδραση (όπως π.χ. βλάβες από πτώση) καθώς και βλάβες που οφείλονται σε κοινή φθορά.
- Η αξίωση εγγύησης εκπίπτει σε περίπτωση που έγιναν ήδη ξένες επεμβάσεις στη συσκευή.
3. Η διάρκεια της εγγύησης ανέρχεται σε 3 έτη και αρχίζει από την ημερομηνία αγοράς της συσκευής. Οι αξιώσεις εγγύησης πρέπει να κατισχυθούν πριν την πάροδο της προθεσμίας της εγγύησης εντός δύο εβδομάδων από την διαπίστωση του ελαττώματος. Αποκλείεται η κατίσχυση αξιώσεων εγγύησης μετά την πάροδο της προθεσμίας της εγγύησης. Η επισκευή ή η αντικατάσταση της συσκευής δεν συνεπάγεται ούτε την επέκταση της διάρκειας της εγγύησης ούτε την έναρξη νέας προθεσμίας εγγύησης για τη συσκευή ή τα ενδεχομένως τοποθετηθέντα εξαρτήματα. Το ίδιο ισχύει και σε περίπτωση σέρβις επί τόπου.
 4. Για την κατίσχυση της αξίωσης της εγγύησης σας παρακαλούμε να μας αποστείλετε τη συσκευή, χωρίς επιβάρυνσή μας με ταχυδρομικά τέλη, στην πιο κάτω αναφερόμενη διεύθυνση. Μη ξεχάσετε να επισυνάψετε το πρωτότυπο της απόδειξης αγοράς ή άλλο ισχύον αποδεικτικό αγοράς. Για το λόγο αυτό σας παρακαλούμε να φυλάξετε καλά την απόδειξη του ταμείου! Παρακαλούμε επίσης να μας περιγράψετε την αιτία για την διαμαρτυρία σας όσο πιο αναλυτικά γίνεται. Εάν το ελάττωμα της συσκευής σας καλύπτεται από την εγγύησή μας, είτε θα σας επιστραφεί ταχύτατα η επισκευασμένη συσκευή σας, είτε θα λάβετε μία νέα συσκευή.

Φυσικά επισκευάζουμε ευχαρίστως έναντι αμοιβής και ελαττώματα στη συσκευή σας που δεν καλύπτονται ή δεν καλύπτονται πλέον από την εγγύηση. Για το σκοπό αυτό σας παρακαλούμε να αποστείλετε τη συσκευή σας στη διεύθυνση του τμήματος μας για Εξυπηρέτηση Πελατών.

EINHELL Hellas A. E.
Lasithiou Str. 4
14342 Nea Philadelphia
Tel. 0210 2776871 · Fax 0210 2776871



IAN: 70382 PSE 2800 A1

Einhell Germany AG

Wiesenweg 22

D-94405 Landau/Isar

Last Information Update · Έκδοση των πληροφοριών : 10/2011

Ident.-No.: 41.524.14 102011 - GB IE CY

