

/// PARKSIDE®

PASS 3.6 A1



GB CY

CORDLESS SCREWDRIVER

Operation and Safety Notes
Original operating instructions

HR

AKU-ŠTAPNI ODVIJAČ

Upute za posluživanje i za Vašu sigurnost
Originalne upute za uporabu

RO

MAȘINĂ DE ÎNȘURUBAT TIP PISTOL CU ACUMULATOR

Indicații de siguranță și de folosire
Instrucțiunile de utilizare originale

BG

АКУМУЛАТОРЕН ВИНТОВЕРТ

Указания за обслужване и безопасност
Оригинална работна инструкция

GR CY

ΚΑΤΣΑΒΙΔΙ ΜΠΑΤΑΡΙΑΣ

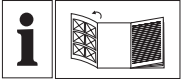
Υποδείξεις χειρισμού και ασφαλείας
Πρωτότυπες Οδηγίες χρήσης

DE AT CH

AKKU-STABSCHRAUBER

Bedienungs- und Sicherheitshinweise
Originalbetriebsanleitung

HR RO BG GR



GB CY

Before reading, unfold the page containing the illustrations and familiarise yourself with all functions of the device.

HR

Prije nego što pročitate tekst, otvorite stranicu sa slikama i upoznajte se na osnovu toga sa svim funkcijama uređaja.

RO

Înainte de a citi instrucțiunile, deschideți pagina cu figuri și apoi familiarizați-vă cu toate funcțiile aparatului.

BG

Преди прочита отворете страницата с изображенията и се запознайте след това с всички функции на уреда.

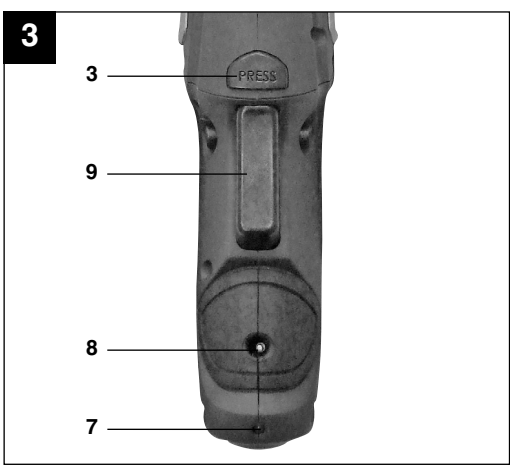
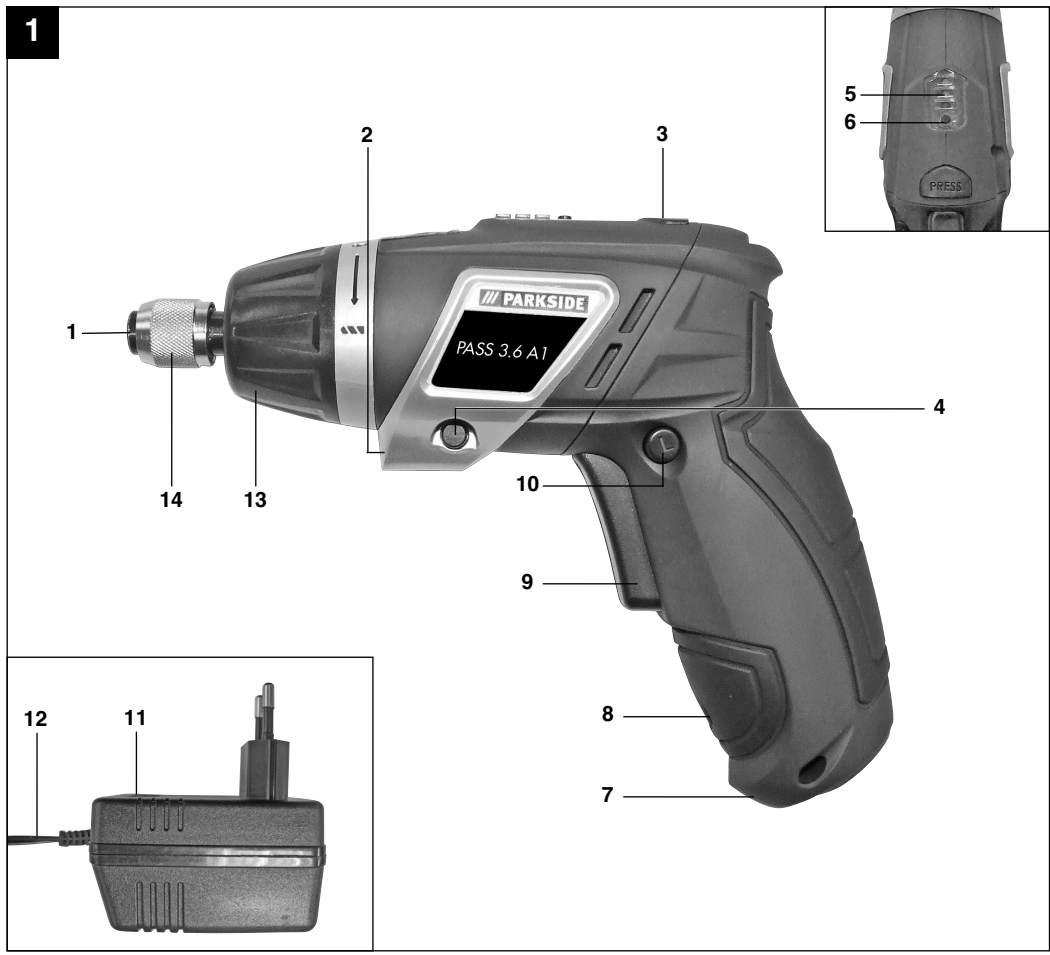
GR CY

Πριν ξεκινήσετε την ανάγνωση, ανοίξτε τη σελίδα με τις εικόνες και εξοικειωθείτε με όλες τις λειτουργίες της συσκευής.

DE AT CH

Klappen Sie vor dem Lesen die Seite mit den Abbildungen aus und machen Sie sich anschließend mit allen Funktionen des Gerätes vertraut.

GB/CY	Operation and Safety Notes	Page	5
HR	Upute za posluživanje i za Vašu sigurnost	Stranica	18
RO	Indicații de siguranță și de folosire	Pagina	31
BG	Указания за обслужване и безопасност	Страница	45
GR/CY	Υποδείξεις χειρισμού και ασφαλείας	Σελίδα	59
DE/AT/CH	Bedienungs- und Sicherheitshinweise	Seite	73



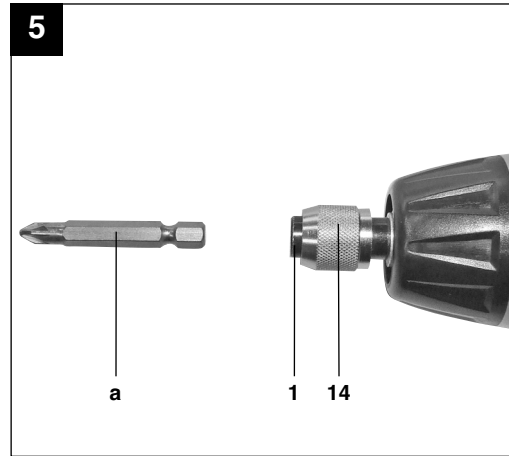
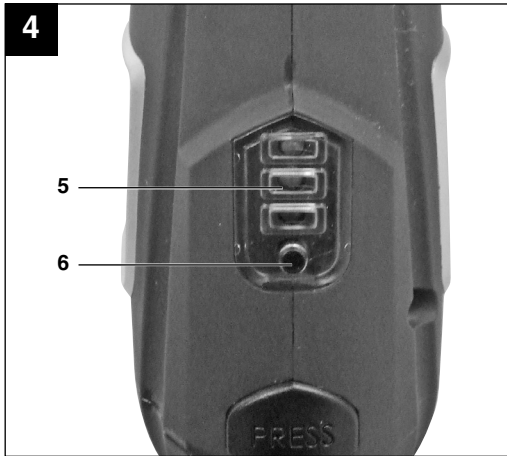




Table of contents:	Page
1. Introduction	7
2. Safety regulations	7-11
3. Layout	11
4. Items supplied	11
5. Intended use	12
6. Technical data	12-13
7. Before starting the equipment	13
8. Operation	13-14
9. Cleaning, maintenance and ordering of spare parts	15
10. Disposal and recycling	15
11. Declaration of conformity	16
12. Guarantee Certificate	17

The reprinting or reproduction by any other means, in whole or in part, of documentation and papers accompanying products is permitted only with the express consent of ISC GmbH.

Technical changes subject to change

GB/
CY



“Caution - Read the operating instructions to reduce the risk of injury”

1. Introduction

⚠ Important!

When using equipment, a few safety precautions must be observed to avoid injuries and damage. Please read the complete operating manual with due care. Keep this manual in a safe place, so that the information is available at all times. If you give the equipment to any other person, give them these operating instructions as well. We accept no liability for damage or accidents which arise due to non-observance of these instructions and the safety information.

2. Safety regulations

General safety instructions for electric tools

⚠ CAUTION!

Read all safety regulations and instructions.

Any errors made in following the safety regulations and instructions may result in an electric shock, fire and/or serious injury.

Keep all safety regulations and instructions in a safe place for future use.

The term "electric tool" used in the safety regulations refers to electric tools operated from the mains power supply (with a power cable) and to battery operated electric tools (without a power cable).

1. Workplace safety

- **Keep your work area clean and well illuminated.** Untidy or unlit work areas can result in accidents.
- **Do not use this tool in a potentially explosive environment containing combustible liquids, gases or dust.** Electric tools generate sparks, which can in turn ignite dust or vapors.
- **Keep children and other persons away from the electric tool while it is being used.** Allowing yourself to get distracted can

cause you to lose control of the tool.

2. ELECTRICAL SAFETY

- **The tool's connector plug must be able to fit into the socket outlet. Do not modify the plug in any way! Do not use adapter plugs in conjunction with electrically grounded tools.** Unmodified plugs and matching socket outlets reduce the risk of an electric shock.
 - **Avoid touching grounded surfaces, such as those of pipes/tubes, heaters, cookers and refrigerators.** There is an increased risk of getting an electric shock if you are electrically grounded.
 - **Keep the tool away from rain and moisture/wet conditions.** Penetration of water into an electric tool increases the risk of an electric shock.
 - **Do not use the cable to carry the tool, hang it up or pull the plug out of the socket. Keep the cable away from sources of heat, oil, sharp edges and moving tool parts.** Damaged or tangled cable increases the risk of an electric shock.
 - **If you intend to use an electric tool outdoors, ensure that you only use extension cable that is approved for outdoor applications.** Using extension cable that is approved for outdoor applications reduces the risk of an electric shock.
 - **If operation of the electric tool in a damp environment can not be avoided, use a earth-leakage circuit-breaker.** The earth-leakage circuit-breaker reduces the risk of an electric shock.
- ## 3. PERSONAL SAFETY
- **Be alert, work conscientiously and exercise appropriate caution when using the electric tool. Do not use the tool if you are tired or are under the influence of drugs/medication or alcohol.** One moment of carelessness or lack of attention when using the electric tool can cause serious bodily injury!
 - **Always wear personal protective**

GB/
CY**equipment (PPE), including safety goggles.**

Wearing personal protective equipment such as a dust mask, non-slip footwear, protective headgear and ear muffs (depending upon the type of electric tool and the particular application) reduces the risk of sustaining injury.

- **Make sure that the tool cannot start up accidentally. Ensure that the electric tool is switched off before you connect the tool to the power supply and/or insert the battery, or pick up or carry the tool.**

Physically touching the switch with your finger when carrying the tool or connecting the tool to the power supply switched on can lead to accidents.

- **Remove adjusting tools/wrench(es) prior to switching on the power tool.**

A tool or wrench that is positioned inside a rotating power tool part can cause injury.

- **Avoid abnormal working postures. Make sure you stand squarely and keep your balance at all times.**

This way, you will be able to have better control over the tool in unexpected situations.

- **Wear suitable clothes. Never wear loose fitting clothes or jewelry. Keep hair, clothes and gloves away from moving parts.**

Loose clothing, dangling jewelry and long hair can be caught by moving parts.

- **If dust extraction and dust collection devices can be mounted, ensure that these are connected and are properly used.**

The use of a dust extraction system can reduce the danger posed by dust.

4. Using the treatment of electric tools

- **Do not overload your tool. Only use suitable electric tools to perform your work.**

Using the right electric tool allows you to work better and safer within the tool's quoted capacity range.

- **Do not use an electric tool whose switch is defective.**

An electric tool that no longer can be switched on or off is dangerous and must be repaired.

- **Pull the plug out of the socket and/or remove the battery before making any adjustments to the tool, changing accessories or put the tool down.**

This precaution eliminates the possibility of inadvertently starting the tool.

- **When not in use, store electric tools out of the reach of children. Do not allow those persons to use this tool who are unfamiliar with it or who have not read these instructions.**

Electric tools are dangerous when they are used by inexperienced persons.

- **Take good care of your tool. Check that moving parts properly function and do not jam, that parts are not broken off or damaged in any way and that the tool can be used to its full capacity. Have damaged parts repaired prior to using the tool.**

The cause of many accidents can be traced back to poorly maintained electric tools.

- **Keep your blades sharp and clean.** Properly maintained blades with sharp edges jam less frequently and are easier to use.

- **Make sure to use electric tools, accessories, attachments, etc. in accordance with these instructions. Take the conditions in your work area and the job in hand into account.**

Using electric tools for applications other than those intended can lead to dangerous situations.

5. Usage and treatment of battery powered electric tools

- **Only charge the batteries in chargers that are recommended by the manufacturer.** A charger that is designed for a certain type of batteries may pose a fire risk if it is used with other types of batteries.

- **Use only the correct batteries in the electric tools.** The use of other batteries may result in injuries and a fire risk.

- **Keep unused batteries away from paper**

clips, coins, keys, nails, screws and other metallic objects that could cause a short circuit between the contacts. A short circuit between the battery contacts may cause burns or a fire.

- **In case of incorrect use, fluid may escape from the battery. Avoid contact with it. If you touch it by mistake, rinse the affected area with water. If you get the fluid in your eyes, also seek medical advice.** Leaking battery fluid can cause skin irritation or burns.

6. SERVICE

- **Have your tool repaired only by authorized specialists using original replacement parts.**

This will ensure that your tool remains safe to use.

Hold the equipment by the insulated handles when carrying out work during which the screw or the plug-in tool could strike concealed power cables. Contact with a live cable may also make the metal parts of the equipment live and cause an electric shock.

Additional safety instructions

We pay a great deal of attention to the design of every battery pack to ensure that we supply you with batteries which feature maximum power density, durability and safety. The battery cells have a wide range of safety devices. Each individual cell is initially formatted and its electrical characteristic curves are recorded. These data are then used exclusively to be able to assemble the best possible battery packs. **Despite all the safety precautions, caution must always be exercised when handling batteries. The following points must be obeyed at all times to ensure safe use.**

Safe use can only be guaranteed if undamaged cells are used. Incorrect handling can cause cell damage.

Important: Analyses confirm that incorrect use and poor care are the main causes of the damage caused by high performance batteries.

Information about the battery

- The battery pack supplied with your cordless tool is not charged. The battery pack has to be charged before you use the tool for the first time.
- For optimum battery performance avoid low discharge cycles. Charge the battery pack frequently.
- Store the battery pack in a cool place, ideally at 15°C and charged to at least 40%.
- Lithium-ion batteries are subject to a natural ageing process. The battery pack must be replaced at the latest when its capacity falls to just 80% of its capacity when new. Weakened cells in an aged battery pack are no longer capable of meeting the high power requirements and therefore pose a safety risk.
- Do not throw battery packs into an open fire. There is a risk of explosion!
- Do not ignite the battery pack or expose it to fire.
- **Do not exhaustively discharge batteries.** Exhaustive discharge will damage the battery cells. The most common cause of exhaustive discharge is lengthy storage or non-use of partly discharged batteries. Stop working as soon as the performance of the battery falls noticeably or the electronic protection system triggers. Place the battery pack in storage only after it has been fully charged.
- **Protect batteries and the tool from overloads.** Overloads will quickly result in overheating and cell damage inside the battery housing without this overheating actually being apparent externally.
- **Avoid damage and shocks.** Replace batteries which have been dropped from a height of more than one meter or which have been exposed to violent shocks without delay, even if the housing of the battery pack appears to be undamaged. The battery cells inside the battery may have suffered serious damage. In this respect,

GB/
CY

please also read the waste disposal information.

- If the battery pack suffers overloading and overheating, the integrated protective cut-off will switch off the equipment for safety reasons. **Important.** Do not press the ON/OFF switch any more if the protective cut-off has actuated. This may damage the battery pack.
- Use only original battery packs. The use of other batteries may result in injuries, explosion and a fire risk.

Information on chargers and the charging process

- Do not use the supplied battery charger to charge non-rechargeable batteries.
- Please check the data marked on the rating plate of the battery charger. Be sure to connect the battery charger to a power supply with the voltage marked on the rating plate. Never connect it to a different mains voltage.
- Protect the battery charger and its cable from damage and sharp edges. Have damaged cables repaired without delay by a qualified electrician.
- This battery charger is not designed to be used by people (including children) with limited physical, sensory or mental capacities or those with no experience and/or knowledge unless they are supervised by a person who is responsible for their safety or they have received instructions from such a person in how to use the equipment safely.
- Children must always be supervised in order to ensure that they do not play with the equipment.
- Do not use damaged battery chargers.
- Do not use the supplied battery charger to charge other cordless tools.
- In heavy use the battery pack will become warm. Allow the battery pack to cool to room temperature before commencing with the charging.
- **Do not over-charge batteries.** Do not exceed the maximum charging times. These charging times only apply to discharged batteries. Frequent insertion of a

charged or partly charged battery pack will result in over-charging and cell damage. Do not leave batteries in the charger for days on end.

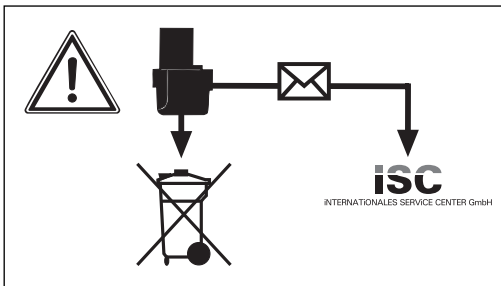
- **Never use or charge batteries if you suspect that the last time they were charged was more than 12 months previously.** There is a high probability that the battery pack has already suffered dangerous damage (exhaustive discharge).
- Charging batteries at a temperature below 10°C will cause chemical damage to the cell and may cause a fire.
- Do not use batteries which have heated during the charging process, as the battery cells may have suffered dangerous damage.
- Do not use batteries which have suffered curvature or deformation during the charging process or which show other non-typical symptoms (gassing, hissing, cracking,...)
- Never fully discharge the battery pack (recommended depth of discharge max. 80%) A complete discharge of the battery pack will lead to premature ageing of the battery cells.
- Never charge the batteries unsupervised.

Protection from environmental influences

- Wear suitable work clothes. Wear safety goggles.
- **Protect your cordless tool and the battery charger from moisture and rain.** Moisture and rain can cause dangerous cell damage.
- Do not use the cordless tool or the battery charger near vapors and inflammable liquids.
- Use the battery charger and cordless tools only in dry conditions and an ambient temperature of 10-40°C.
- Do not keep the battery charger in places where the temperature is liable to reach over 40°C. In particular, do not leave the battery charger in a car that is parked in the sunshine.
- **Protect batteries from overheating.** Overloads, over-charging and exposure to direct sunlight will result in overheating and

cell damage. Never charge or work with batteries which have been overheated – replace them immediately if possible.

- **Storage of batteries, battery chargers and cordless tools.** Store the charger and your cordless tool only in dry places with an ambient temperature of 10-40°C. Store your lithium-ion battery pack in a cool, dry place at a temperature of 10-20°C. Protect them from humidity and direct sunlight. Only place fully charged batteries in storage (charged at least 40%).
- Prevent the lithium-ion battery pack from freezing. Battery packs which were stored below 0°C for more than 60 minutes must be disposed of.
- When handling batteries beware of electrostatic charge: Electrostatic discharges cause damage of the electronic protection system and the battery cells. Avoid electrostatic charging and never touch the battery poles.



Rechargeable batteries and cordless electric machines and tools contain materials that are potentially harmful to the environment. Never place any cordless electric machines or tools in your household refuse. When cordless electric machines or tools become defective or worn, remove the rechargeable batteries and return them to iSC GmbH (address: Eschenstrasse 6, D-94405, Germany). If the rechargeable batteries cannot be removed, return the complete cordless machine or tool. You can then be sure that the equipment will be correctly disposed of by the manufacturer.

When shipping or disposing of batteries and cordless tools, always ensure that they are packed individually in plastic bags to prevent short circuits and fires.

Do not lose this safety information.

3. Layout (Fig. 1)

1. Bit chuck
2. LED lamp
3. Locking button
4. ON/OFF switch for lamp
5. Battery capacity indicator
6. Button for battery capacity indicator
7. Charging control lamp
8. Charging connection
9. ON/OFF switch
10. Clockwise/Counter-clockwise selector switch
11. Battery charger
12. Charging cable
13. Torque selector
14. Locking sleeve

4. Items supplied

Take all parts out of the packaging and check that they are complete.

- Cordless Screwdriver PASS 3.6 A1
- Battery charger
- 26 Bits
- Bit holder
- Case
- Operating Instructions

GB/
CY

5. Intended use

The cordless screwdriver is designed for tightening and loosening screws.

The equipment is to be used only for its prescribed purpose. Any other use is deemed to be a case of misuse. The user/operator and not the manufacturer will be liable for any damage or injuries caused as a result thereof.

Please note that our equipment has not been designed for use in commercial, trade or industrial applications. Our warranty will be voided if the equipment is used in commercial, trade or industrial businesses or for equivalent purposes.

6. Technical data

Motor power supply:	3.6 V DC
Idling speed:	200 rpm
Clockwise/Counter-clockwise:	Yes
Battery charger output voltage:	6,8 V DC
Battery charger output current:	550 mA
Battery charger supply voltage:	230V ~ 50 Hz
Charging time:	3 hours
Battery type:	Li-Ion/1.5 Ah
Weight:	0.4 kg
LED Class	1

Sound and vibration

Sound and vibration values were measured in accordance with EN 60745.

Sound pressure level L_{pA}	62 dB(A)
Uncertainty K_{pA}	3 dB
Sound power level L_{WA}	73 dB(A)
Uncertainty K_{WA}	3 dB

Wear ear-muffs.

The impact of noise can cause damage to hearing.

Total vibration values (vector sum of three directions) determined in accordance with EN 60745.

Screws without hammer action

Vibration emission value $a_h \leq 2.5 \text{ m/s}^2$

Tolerance $K = 1.5 \text{ m/s}^2$

Warning!

The specified vibration value was established in accordance with a standardized testing method. It may change according to how the electric equipment is used and may exceed the specified value in exceptional circumstances.

The specified vibration value can be used to compare the equipment with other electric power tools.

The specified vibration value can be used for initial assessment of a harmful effect.

Keep the noise emissions and vibrations to a minimum.

- Only use appliances which are in perfect working order.
- Service and clean the appliance regularly.
- Adapt your working style to suit the appliance.
- Do not overload the appliance.
- Have the appliance serviced whenever necessary.
- Switch the appliance off when it is not in use.

- Wear protective gloves.

7. Before starting the equipment

⚠ Caution:

Be sure to read the following information before you use your cordless screwdriver for the first time:

1. Only charge the battery pack using the charger (11) supplied.
2. Only use screwdriver bits which are in perfect working order and appropriate.
3. When screwing into walls or partitions, test these for electrical, gas or water connections.

8. Operation

8.1 Charging the battery pack (Fig. 1)

The battery pack is protected from exhaustive discharge. An integrated protective circuit automatically switches off the equipment when the battery pack is flat. In this case the bit chuck (1) will cease to turn.

⚠ Caution:

Do not press the ON/OFF switch (9) any more, if the protective circuit has actuated. This may damage the battery pack.

1. Check that your mains voltage is the same as that marked on the rating plate of the battery charger. Plug the battery charger (11) in the plug socket and connect the charging cable (12) to the charging connection (8). The charging process starts as soon as the charging cable is connected to the charging connection.
2. The charging control lamp (7) indicates that the battery is being charged.
3. The charging control lamp (7) goes out when charging is completed.

⚠ Caution:

The handle may become a little warm during the charging process. This is normal.

If the battery pack fails to charge, please check

- whether there is voltage at the socket-outlet.
- whether there is good contact at the charging contacts of the battery charger (11).

If the battery still fails to charge, send

- the battery charger (11)
- and the screwdriver

to our customer services department.

Timely recharging of the battery pack will help to prolong its lifespan. You must recharge the battery pack when you notice that the power of the screwdriver drops.

8.2 Clockwise/Counter-clockwise changeover switch (Fig. 2/Item 10)

The clockwise/counter-clockwise changeover switch (10) above the ON/OFF switch (9) is for setting the direction of rotation of the cordless screwdriver and for preventing the cordless screwdriver from being switched on inadvertently. You can select between clockwise and counter-clockwise rotation.

⚠ Important.

Change the direction of rotation only when the equipment is at a standstill. If you fail to observe this point, the gearing may become damaged. When the clockwise/counter-clockwise changeover switch (10) is in the middle position, the ON/OFF switch (9) is blocked.

Direction	Switch position
Clockwise	"R" pressed
Counter-clockwise	"L" pressed

8.3 ON/OFF switch (Fig. 2/Item 9)

Press the ON/OFF switch (9) to switch the cordless screwdriver on. Release the ON/OFF switch to switch off the tool.

8.4 LED lamp (Fig. 1/Item 2)

The LED lamp (2) can be used in poor lighting conditions to illuminate the area where you want to screw. To switch ON, press the switch (4) and to switch OFF, press the switch (4) again.

GB/
CY**8.5 Handle adjustment (Fig. 1.2/Item 3)**

The screwdriver can be locked into 2 different angle settings. To do so, press the locking button (3) and move the screwdriver into the desired position. Then release the locking button (3).

⚠ Caution:

Before you switch on the screwdriver, make sure that it is correctly locked in the required angle position.

8.6 Battery capacity indicator (Fig. 4/Item. 5)

Press the button for the battery capacity indicator (6). The battery capacity indicator (5) indicates the charge state of the battery on 3 coloured LEDs.

All LEDs are lit:

The battery is fully charged.

The yellow and red LED illuminate:

The battery has an adequate remaining charge.

Red LED:

The battery is discharged, it requires charging.

8.7 Changing the tool (Fig. 5)**⚠ Important.**

Set the clockwise/counter-clockwise changeover switch (10) to its centre position whenever you carry out any work (for example changing the tool, maintenance work, etc.) on the cordless screwdriver.

- Pull back and hold the locking sleeve (14).
- Insert the bit (a) into the bit chuck (1) and let go of the locking sleeve (14)
- Check that it is properly secure by pulling the tool.
- For removal of bits (a), pull back the locking sleeve (14) and hold it firmly.
- Remove the bit (a) and let go of the locking sleeve.

8.8 Torque Setting (Fig. 1/Item 13)**⚠ Caution:**

Only adjust the torque when the appliance is at a standstill.

The cordless screwdriver is fitted with a mechanical torque selector.

The torque for each particular screw size is adjustable at the torque selector (13). The required torque is dependent upon several factors:

- the type and hardness of the material to be worked with.
- the type and length of the screws used.
- the physical burden placed on the screw connection.

When the torque is reached, this is indicated by the clutch being released.

8.9 Screws

It is advisable to use self-centering screws (e.g. Torx, Philips head screws) as these will enable you to work safely and reliably. Always make sure that the bit used is of the same size and shape as the screw.

8.10 Screwdriver overloaded

If the screwdriver is overloaded, the automatic safety switch turns the device off. After a few seconds the screwdriver can be used again.

9. Cleaning, maintenance and ordering of spare parts

⚠ Caution:

Always pull out the mains power plug before starting any cleaning work.

9.1 Cleaning

- Keep all safety devices, air vents and the motor housing free of dirt and dust as far as possible. Wipe the appliance with a clean cloth or blast it with compressed air at low pressure.
- We recommend cleaning the appliance immediately after every use.
- Clean the appliance regularly with a damp cloth and some soft soap. Do not use cleaning agents or solvents; these may be aggressive to the plastic parts in the appliance. Ensure that no water can get into the interior of the tool.

9.2 Maintenance

There are no other parts inside the equipment which require additional maintenance.

9.3 Ordering replacement parts:

Please provide the following information on all orders for spare parts:

- Model/type of the equipment
- Article number of the equipment
- ID number of the appliance

For our latest prices and information please go to www.isc-gmbh.info

10. Disposal and recycling

The equipment is supplied in packaging to prevent it from being damaged in transit. The raw materials in this packaging can be reused or recycled. The appliance and its accessories are made of various types of material, such as metal and plastic. Defective components must be disposed of as special waste. Ask your dealer or your local council.



For EU countries only

Never place any electric tools in your household refuse.

To comply with European Directive 2002/96/EC concerning old electric and electronic equipment and its implementation in national laws, old electric tools have to be separated from other waste and be disposed of in an environment-friendly fashion, e.g. by taking to a recycling depot.

Recycling alternative to returning the electrical equipment:

The owner of the electrical equipment is obligated to arrange for its proper disposal if he no longer wants to keep the equipment in his possession and does not want to return it. In this case the old equipment can be taken to a recycling depot where it is disposed of in accordance with national recycling and waste disposal laws. This does not apply to accessory parts and aids which supplement the old equipment and contain no electrical parts.

GB/
CY

11. Declaration of conformity

Einhell Germany AG · Wiesenweg 22 · D-94405 Landau/Isar



Konformitätserklärung

- erklärt folgende Konformität gemäß EU-Richtlinie und Normen für Artikel
 explains the following conformity according to EU directives and norms for the following product
 déclare la conformité suivante selon la directive CE et les normes concernant l'article
 dichiara la seguente conformità secondo la direttiva UE e le norme per l'articolo
 verklaart de volgende overeenstemming conform EU richtlijn en normen voor het product
 declara la siguiente conformidad a tenor de la directiva y normas de la UE para el artículo
 declara a seguinte conformidade, de acordo com a directiva CE e normas para o artigo
 attesterer følgende overensstemmelse i medfør af EU-direktiv samt standarder for artikel
 förklarar följande överensstämmelse enl. EU-direktiv och standarder för artikeln
 vakuuttaa, että tuote täyttää EU-direktiivin ja standardien vaatimukset
 tõendab toote vastavust EL direktiivile ja standarditele
 vydává následující prohlášení o shodě podle směrnice EU a norem pro výrobek
 potrjuje sledeću skladnost s smernico EU in standardi za izdelek
 vydáva nasledujúce prehlásenie o zhode podľa smernice EÚ a noriem pre výrobok
 a cikkekhez az EU-irányvonal és Normák szerint a következő konformitást jelenti ki
 deklaruje zgodność wymienionego poniżej artykułu z następującymi normami na podstawie dyrektywy WE.
 декларира съответното съответствие съгласно Директива на ЕС и норми за артикул
 paskaidro šādu atbilstību ES direktīvai un standartiem
 arībūdina šj atitikimą EU reikalavimams ir prekės normoms
 declară următoarea conformitate conform directivei UE și normelor pentru articolul
 δηλώνει την ακόλουθη συμμόρφωση σύμφωνα με την Οδηγία ΕΚ και τα πρότυπα για το προϊόν
 potvrđuje sljedeću usklađenost prema smjernicama EU i normama za artikl
 Izjava o sukladnosti za ovaj proizvod dostupna je na internet stranici www.lidl.hr.
 potvrđuje sljedeću usklađenost prema smjernicama EU i normama za artikl
 potvrđuje sledeću usklađenost prema smernicama EZ i normama za artikal
 следующим удостоверяется, что следующие продукты соответствуют директивам и нормам ЕС
 проголошує про зазначену нижче відповідність виробу директивам та стандартам ЄС на виріб
 Ürünü ile ilgili AB direktifleri ve normları gereğince aşağıda açıklanan uygunluğu belirtir
 erklærer følgende samsvar i henhold til EU-direktivet og standarder for artikkel
 Lýsir uppfyllingu EU-reglna og annarra staða vöru

Akkuschrauber PASS 3,6 A1 / Ladegerät LG PASS 3,6 A1 (Parkside)

- | | |
|---|--|
| <input type="checkbox"/> 87/404/EC_2009/105/EC | <input checked="" type="checkbox"/> 2006/42/EC |
| <input type="checkbox"/> 2005/32/EC_2009/125/EC | <input type="checkbox"/> Annex IV
Notified Body:
Notified Body No.:
Reg. No.: |
| <input type="checkbox"/> 2006/95/EC | |
| <input type="checkbox"/> 2006/28/EC | |
| <input checked="" type="checkbox"/> 2004/108/EC | <input type="checkbox"/> 2000/14/EC_2005/88/EC |
| <input type="checkbox"/> 2004/22/EC | <input type="checkbox"/> Annex V |
| <input type="checkbox"/> 1999/5/EC | <input type="checkbox"/> Annex VI
Noise: measured L_{WA} = dB (A); guaranteed L_{WA} = dB (A)
P = KW; L/Ø = cm
Notified Body: |
| <input type="checkbox"/> 97/23/EC | |
| <input type="checkbox"/> 90/396/EC_2009/142/EC | |
| <input type="checkbox"/> 89/686/EC_96/58/EC | <input type="checkbox"/> 2004/26/EC
Emission No.: |
| <input checked="" type="checkbox"/> 2011/65/EC | |

Standard references: EN 60745-1; EN 60745-2-2; EN 55014-1;
EN 55014-2; EN 60335-1; EN 60335-2-29; EN 61000-3-2; EN 61000-3-3

Landau/Isar, den 22.09.2011

Weichselgartner/General Manager

Unger/Product-Management

First CE: 08
Art.-No.: 45.134.27 I.-No.: 11021
Subject to change without notice

Archive-File/Record: NAPR004730
Documents registrar: Georg Riedel
Wiesenweg 22, D-94405 Landau/Isar

12. GUARANTEE CERTIFICATE

Dear Customer,

All of our products undergo strict quality checks to ensure that they reach you in perfect condition. In the unlikely event that your device develops a fault, please contact our service department at the address shown on this guarantee card. Of course, if you would prefer to call us then we are also happy to offer our assistance under the service number printed below. Please note the following terms under which guarantee claims can be made:

1. These guarantee terms cover additional guarantee rights and do not affect your statutory warranty rights. We do not charge you for this guarantee.
2. Our guarantee only covers problems caused by material or manufacturing defects, and it is restricted to the rectification of these defects or replacement of the device. Please note that our devices have not been designed for use in commercial, trade or industrial applications. Consequently, the guarantee is invalidated if the equipment is used in commercial, trade or industrial applications or for other equivalent activities. The following are also excluded from our guarantee: compensation for transport damage, damage caused by failure to comply with the installation/assembly instructions or damage caused by unprofessional installation, failure to comply with the operating instructions (e.g. connection to the wrong mains voltage or current type), misuse or inappropriate use (such as overloading of the device or use of non-approved tools or accessories), failure to comply with the maintenance and safety regulations, ingress of foreign bodies into the device (e.g. sand, stones or dust), effects of force or external influences (e.g. damage caused by the device being dropped) and normal wear resulting from proper operation of the device. This applies in particular to rechargeable batteries for which we nevertheless issue a guarantee period of 12 months.

The guarantee is rendered null and void if any attempt is made to tamper with the device.
3. The guarantee is valid for a period of 3 years starting from the purchase date of the device. Guarantee claims should be submitted before the end of the guarantee period within two weeks of the defect being noticed. No guarantee claims will be accepted after the end of the guarantee period. The original guarantee period remains applicable to the device even if repairs are carried out or parts are replaced. In such cases, the work performed or parts fitted will not result in an extension of the guarantee period, and no new guarantee will become active for the work performed or parts fitted. This also applies when an on-site service is used.
4. In order to assert your guarantee claim, please send your defective device postage-free to the address shown below. Please enclose either the original or a copy of your sales receipt or another dated proof of purchase. Please keep your sales receipt in a safe place, as it is your proof of purchase. It would help us if you could describe the nature of the problem in as much detail as possible. If the defect is covered by our guarantee then your device will either be repaired immediately and returned to you, or we will send you a new device.

Of course, we are also happy offer a chargeable repair service for any defects which are not covered by the scope of this guarantee or for units which are no longer covered. To take advantage of this service, please send the device to our service address.

EINHELL Hellas A. E.
Lasithiou Str. 4
14342 Nea Philadelphia
Tel. 0210 2776871 · Fax 0210 2776871

HR**Sadržaj: Stranica**

1. Uvod	20
2. Sigurnosne napomene	20-24
3. Opis uređaja	24
4. Sadržaj isporuke	24
5. Namjenska uporaba	24
6. Tehnički podaci	24-25
7. Prije puštanja u pogon	25
8. Rukovanje	25-27
9. Čišćenje, održavanje i naručivanje rezervnih dijelova	27
10. Zbrinjavanje i recikliranje	28
11. Izjava o usklađenosti	29
12. Jamstveni list	30

Naknadno tiskanje ili slična umnožavanja dokumentacije i pratećih papira ovih proizvoda, čak i djelomično kopiranje, moguće je samo uz izričito dopuštenje tvrtke ISC GmbH.

Zadržavamo pravo na tehničke izmjene.



„Upozorenje – pročitajte upute za uporabu kako bi se smanjio rizik ozljeđivanja“

1. Uvod

⚠ Pažnja!

Da bi se spriječila ozljedivanja i nastanak šteta prilikom korištenja uređaja, treba se pridržavati sigurnosnih mjera opreza. Zbog toga pažljivo pročitajte ove upute za uporabu. Dobro ih sačuvajte tako da Vam informacije u svako doba budu na raspolaganju. U slučaju da uređaj trebate predati drugoj osobi, uručite joj s njime i ove upute za uporabu. Ne preuzimamo jamstvo za nesreće ili štete nastale zbog nepridržavanja ovih uputa i njihovih sigurnosnih napomena.

2. Sigurnosne napomene

Opće sigurnosne napomene u vezi električnih alata

⚠ UPOZORENJE!

Pročitajte sve sigurnosne napomene i upute.

Propusti kod pridržavanja sigurnosnih napomena i uputa mogu uzrokovati el. udar, požar i/ili teška ozljeđivanja.

Sačuvajte sve sigurnosne napomene i upute za buduće korištenje.

Pojam „elektroalat“, korišten u sigurnosnim napomenama, odnosi se na elektroalate koji rade na strujni pogon (s mrežnim kabelom) i akumulatorski pogon (bez mrežnog kabela).

1. Sigurnost radnog mjesta

- **Svoje radno područje držite čistim i radite pod dobrom rasvjetom.** Nered ili neosvijetljeno radno područje mogu uzrokovati nezgode pri radu.
- **Ne radite s uređajem u okolini gdje postoji opasnost od eksplozije i gdje se nalaze zapaljive tekućine, plinovi ili prašina.** Elektroalati stvaraju iskre koje mogu zapaliti prašinu ili pare.
- **Djecu i druge osobe držite tijekom rada podalje od elektroalata.** Prilikom skretanja možete izgubiti kontrolu

nad uređajem.

2. ELEKTRIČNA SIGURNOST

- **Priključni utikač uređaja mora odgovarati utičnici. Utikač ne smijete ni na koji način mijenjati. Ne koristite adaptorski utikač zajedno s uređajima koji imaju zaštitno uzemljenje.** Originalni utikač i odgovarajuće utičnice smanjuju rizik od električnog udara.
- **Izbjegavajte kontakt tijela s uzemljenim površinama kao što su cijevi, grijanja, štednjaci i hladnjaci.** Ako Vaše tijelo ima kontakt s uzemljenjem, postoji povećan rizik zbog električnog udara.
- **Ne ostavljajte uređaj na kiši ili na vlazi.** Prodiranje vode u elektrouređaj povećava rizik od električnog udara.
- **Ne koristite kabel u svrhe za koje nije namijenjen da biste npr. nosili uređaj, objesili ga ili povukli utikač iz utičnice. Kabel držite podalje od vrućine, ulja, oštih rubova i pokretljivih dijelova uređaja.** Oštećeni ili zapleteni kabeli povećavaju rizik od električnog udara.
- **Radite li s elektroalatom na otvorenom, koristite samo takve produžne kabele koji su dopušteni za rad na otvorenom.** Korištenje produžnog kabela prikladnog za vanjsko područje smanjuje rizik o električnog udara.
- **Ako se ne može izbjeći rad elektroalata u vlažnoj okolini, upotrijebite zaštitnu strujnu sklopku.** Korištenje zaštitne strujne sklopke smanjuje rizik od električnog udara.

3. ZAŠTITA OSOBA

- **Budite pažljivi, pripazite što radite i rukovanju s elektroalatom pristupajte razumno. Ne koristite uređaj ako ste umorni ili pod utjecajem droge, alkohola ili lijekova.** Trenutak nepažnje može prilikom uporabe elektroalata uzrokovati ozbiljna ozljeđivanja.
- **Uvijek nosite osobnu zaštitnu opremu i zaštitne naočale.**

Osobna zaštitna oprema kao što je maska protiv prašine, čvrsta zaštitna obuća, zaštitni šljem ili zaštita sluha, ovisno o vrsti i korištenju elektroalata, smanjuje rizik od ozljeda.

- **Izbjegavajte nekontrolirano puštanje u rad. Prije nego ćete elektroalat priključiti na napajanje strujom i/ili baterijom, prije nego ćete ga skinuti ili nositi, provjerite je li isključen.**
Ako prilikom nošenja uređaja držite prst na sklopci ili uključen uređaj priključite na napon, može doći do nezgode.
- **Prije nego uključite uređaj uklonite alate za podešavanje i ključeve.**
Alat ili ključ koji se nalazi na rotacijskom dijelu uređaja može uzrokovati ozljeđivanja.
- **Izbjegavajte nenormalne položaje tijela. Pobrinite se za stabilan položaj i u svakom trenutku držite ravnotežu.**
Na taj način bolje ćete kontrolirati uređaj u neočekivanim situacijama.
- **Nosite prikladnu odjeću. Ne nosite široku odjeću ili nakit. Kosu, odjeću i rukavice držite podalje od pokretnih dijelova.**
Pokretni dijelovi mogu zahvatiti široku odjeću, nakit ili dugu kosu.
- **Ako se mogu montirati naprave za usisavanje i sabiranje prašine, provjerite jesu li one dobro priključene i koristite ih na ispravan način.**
Usisavanjem prašine možete smanjiti opasnosti koje nastaju zbog stvaranja prašine.

4. Korištenje i rukovanje elektroalom

- **Ne preopterećujte elektroalate. Za rad koristite odgovarajući elektroalat.**
S odgovarajućim elektroalom radit ćete bolje i sigurnije u navedenom području snage.
- **Ne koristite elektroalat koji ima neispravnu sklopku.**
Elektroalat koji se više ne može uključiti ili isključiti opasan je i mora se popraviti.
- **Prije nego ćete provesti podešavanja na uređaju, zamjenu dijelova pribora ili odložiti uređaj, izvucite utikač iz**

utičnice i/ili uklonite akumulator.

Takve mjere opreza smanjuju nekontrolirano pokretanje uređaja.

- **Elektroalate koji se ne koriste čuvajte van dohvata djece. Osobe koje nisu upoznate s ovim uputama ili ih nisu pročitale, ne smiju koristiti uređaj.**
Elektroalati su opasni ako ih koriste neiskusne osobe.
- **Pažljivo njegujte uređaj. Kontrolirajte funkcioniraju li pokretniji dijelovi besprijekorno i ne zapinju li, jesu li dijelovi slomljeni ili oštećeni tako da bi mogli ugroziti funkcioniranje uređaja. Prije nego upotrijebite uređaj, oštećene dijelove predajte na popravak.**
Uzrok mnogih nezgoda je loše održavanje elektroalata.
- **Alati za rezanje moraju biti oštri i čisti.**
Pažljivo njegovani alati za rezanje s nabrušenim oštricama rijetko zapinju i lakše ih je voditi.
- **Elektroalat, pribor i nastavke alata itd. koristite u skladu s ovim uputama. Pri tome uzmite u obzir radne uvjete i radnju koju izvršavate.**
Nenamjenska uporaba elektroalata može dovesti do opasnih situacija.

5. Korištenje i rukovanje akumulatorskim alatom

- **Baterije punite samo u uređajima za punjenje koje preporučuje proizvođač.**
Ako se uređaj koji je namijenjen za određenu vrstu baterija koristi za neku drugu vrstu baterija, postoji opasnost od požara.
- **Za elektroalate koristite samo za njih predviđene baterije.** Uporaba drugačijih baterija može uzrokovati ozljeđivanja i opasnost od požara.
- **Baterije koje ne koristite držite podalje od uredskih spajalica, novčića, ključeva, čavala, vijaka ili drugih malih metalnih predmeta koji bi mogli uzrokovati premošćivanje kontakata.** Posljedice kratkog spoja između kontakata baterije mogu uzrokovati opekline ili vatru.
- **Prilikom pogrešnog korištenja iz**

HR

baterije može iscuriti tekućina. Izbjegavajte kontakt s tekućinom. Dio tijela koji slučajno dođe u kontakt s tekućinom, isperite vodom. Dospije li tekućina u oči, nakon njihovog ispiranja potražite liječničku pomoć. Tekućina koja izlazi iz baterije može uzrokovati nadražaje kože ili opekline.

6. SERVIS

- **Uređaj treba popravljati samo kvalificirano osoblje i samo uz uporabu originalnih rezervnih dijelova.** Na taj način se održava sigurnost uređaja.

Kada izvodite radove kod kojih bi vijak ili korišteni alat mogli dodirnuti skrivene strujne vodove, držite uređaj samo za izolirane površine ručki. Kontakt sa strujnim kabelom može staviti pod napon i metalne dijelove uređaja, što dovodi do udara električne struje.

Specijalne sigurnosne napomene

Prilikom izrade vodimo najveću brigu o svakom paketu akumulatora, da bi Vam oni mogli dati maksimalnu energiju, biti dugovječni i sigurni. Čelije akumulatora raspolažu višestupanjskim sigurnosnim napravama. Svaka ćelija najprije se formira i snime se njezine električne karakteristike. Ovi podaci zatim se koriste, da bi se mogli grupirati najbolji paketi akumulatora.

Unatoč svim mjerama sigurnosti kod rukovanja akumulatorima uvijek je potreban oprez. Za siguran rad obavezno je potrebno obratiti pažnju na sljedeće točke.

Siguran rad zajamčen je samo s neoštećenim ćelijama. Pogrešno rukovanje vodi do oštećenja ćelija.

Pažnja! Analize potvrđuju da su gruba povreda načina korištenja i pogrešna njega glavni uzrok oštećenja visokoučinskih akumulatora.

Napomene o akumulatoru

- Paket akumulatora za ovaj uređaj prilikom isporuke nije napunjen. Prije prvog puštanja u rad morate ga zbog toga napuniti.
- U svrhu postizanja optimalne snage

izbjegavajte potpuno pražnjenje akumulatora! Akumulator puniti često.

- Akumulator skladištite na hladnom mjestu, najbolje na temp. od 15 °C i napunjen minimalno 40 %.
- Akumulatori s ionima litija prirodno podliježu starenju. Najkasnije onda kad radni učinak akumulatora bude iznosio samo 80 % iskoristivosti, akumulator se mora zamijeniti. Oslabljene ćelije u ostarjelom paketu akumulatora nisu više dorasle velikim zahtjevima za snagom i na taj način predstavljaju rizik u pogledu sigurnosti.
- Istrošene akumulatore ne bacajte u otvorenu vatru. Opasnost od eksplozije!
- Ne spaljujte akumulatore niti ih izlažite gorenju.
- **Ne praznite akumulatore do kraja!** Potpuno pražnjenje oštećuje ćelije akumulatora. Najčešći uzrok za potpuno pražnjenje paketa akumulatora predstavlja dugo mirovanje odnosno nekorištenje djelomično ispražnjenog akumulatora. Prekinite s radom čim snaga vidljivo popusti ili pak reagira zaštitna elektronika. Spremite akumulator tek nakon potpunog punjenja.
- **Zaštitite uređaj odnosno akumulator od preopterećenja!** Preopterećenje brzo dovodi do pregrijavanja i oštećenja ćelija u unutrašnjosti kućišta akumulatora, a da se pregrijavanje ne zapazi izvana.
- **Izbjegavajte oštećenja i udarce!** Obavezno zamijenite akumulator koji Vam je ispao s visine veće od metra ili koji je bio izložen jakim udarcima, čak i ako se njegovo kućište čini neoštećeno. Čelije u unutrašnjosti akumulatora mogu biti ozbiljno oštećene. Obratite također pozornost na informacije o zbrinjavanju.
- U slučaju preopterećenja i pregrijavanja integrirani zaštitni sklop isključuje uređaj iz sigurnosnih razloga. **Pozor!** Kad zaštitni sklop isključi uređaj, više nemojte pritiskati sklopku za uključivanje/isključivanje. To može uzrokovati oštećenje akumulatora.
- Koristite samo originalne akumulatore. Uporaba drugačijih akumulatora može dovesti do ozljeda, eksplozije i požara.

Napomene o punjaču i postupku punjenja

- Isporučeni uređaj za punjenje ne koristite za punjenje baterija koje nisu predviđene za punjenje.
- Obratite pozornost na podatke navedene na tipskoj pločici punjača. Priključite punjač samo na naponsku mrežu koja je navedena na tipskoj pločici.
- Zaštitite punjač i kabele od oštećenja i oštrih rubova. Električar treba obavezno zamijeniti oštećene kabele.
- Ovaj uređaj ne smiju koristiti osobe (uključujući djecu) s ograničenim fizičkim, osjetilnim ili psihičkim sposobnostima, ili osobe bez iskustva i/ili znanja, osim ako su pod nadzorom osobe nadležne za njihovu sigurnost ili od nje primaju upute za uporabu uređaja.
- Djeca trebaju biti pod nadzorom kako bi se osiguralo da se ne igraju uređajem.
- Ne koristite oštećene punjače.
- Ne koristite priloženi punjač za punjenje drugih akumulatorskih uređaja.
- Kod jačih opterećenja paket akumulatora se zagrijava. Prije početka punjenja ostavite paket akumulatora da se ohladi na sobnoj temperaturi.
- **Nemojte prekomjerno puniti akumulator!**
Obratite pozornost na maksimalna vremena punjenja. Ova vremena vrijede samo za ispražnjene akumatore. Višekratno uključivanje napunjenog ili djelomično napunjenog akumulatora dovodi do prekomjerne napunjenosti i oštećenja ćelija. Ne ostavljajte akumulator priključen na punjač više dana.
- **Ne koristite i ne puniti akumatore za koje smatrate da je od zadnjeg punjenja prošlo više od 12 mjeseci.** Velika je vjerojatnost da je akumulator već opasno oštećen (potpuno ispražnjen).
- Punjenje na temperaturi ispod 10 °C dovodi do kemijskog oštećenja ćelije i može uzrokovati požar.
- Nemojte koristiti akumatore koji su se tijekom punjenja zagrijali jer bi akumulatorske ćelije mogle biti opasno oštećene.
- Nemojte više koristiti akumatore koji su se

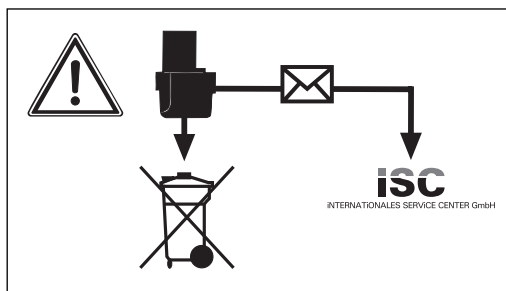
tijekom punjenja izvitoperili ili deformirali, ili pokazuju neobične simptome (izlaženje plina, šištanje, pucketanje, ...)

- Nemojte u cijelosti isprazniti akumulator (preporučena krajnja ispražnjenost maks. 80 %). Potpuna ispražnjenost dovodi do prijevremenog starenja akumulatorskih ćelija.
- Baterije nikad nemojte puniti bez nadzora!

Zaštita od utjecaja okoline

- Nosite prikladnu radnu odjeću. Nosite zaštitne naočale.
- **Zaštitite Vaš akumulatorski uređaj i punjač od vlage i kiše.** Vlaga i kiša mogu dovesti do opasnog oštećenja ćelija.
- Ne koristite akumulatorski uređaj i punjač u području isparivanja i zapaljivih tekućina.
- Punjač i akumulatorske uređaje koristite samo u suhom stanju i pri temperaturi okoline od 10-40 °C.
- Ne odlazite akumatore na mjestima na kojima bi temperatura mogla prijeći 40 °C, naročito ne u vozilu parkirano na suncu.
- **Zaštitite akumatore od pregrijavanja!** Preopterećenje, prekomjerna napunjenost ili sunčeve zrake dovode do pregrijavanja i oštećenja ćelija. Ne puniti niti radite s akumulatorima koji su bili pregrijani – obavezno ih zamijenite.
- **Skladištenje akumulatora, punjača i akumulatorskih uređaja.** Skladištite punjač i Vaš akumulatorski uređaj samo u suhim prostorijama pri temperaturi okoline od 10-40 °C. Akumulator s ionima litija skladištite na hladnom i suhom mjestu pri 10-20 °C. Zaštitite ih od vlage u zraku i direktnog sunčevog zračenja. Skladištite samo napunjene akumatore (min. 40 %).
- Spriječite smrzavanje akumulatora s ionima litija. Akumatore koji su skladišteni duže od 60 minuta na temp. nižoj od 0°C treba zbrinuti na mjestu za reciklažu.
- Oprez kod rukovanja s akumulatorima obzirom na elektrostatičko punjenje: Elektrostatička pražnjenja uzrokuju oštećenja na zaštitnoj elektronici i akumulatorskim ćelijama! Zbog toga izbjegavajte elektrostatičko punjenje i nikad ne dodirujte polove akumulatora!

HR



Akumulatori i električni uređaji pogonjeni akumulatorima sadrže materijale opasne po okoliš. Akumulatorske uređaje ne bacajte u kućno smeće. Nakon kvara ili istrošenosti uređaja izvadite akumulator i pošaljite ga na adresu tvrtke ISC GmbH, Eschenstraße 6 in D-94405 Landau, ili, ako su oni nerazdvojni, pošaljite cijeli akumulatorski uređaj. Tamo će proizvođač zbrinuti uređaj na stručan način.

Prilikom slanja ili zbrinjavanja akumulatora odn. akumulatorskog uređaja obratite pozornost na to da budu zapakirani pojedinačno u plastične vrećice da bi se izbjegao kratki spoj ili požar!

Dobro spremite ove sigurnosne napomene.

3. Opis uređaja (slika 1)

1. Pribor za prihvatnik nastavka izvijača
2. LED svjetlo
3. Tipka za blokiranje
4. Sklopka za uključivanje/isključivanje svjetiljke
5. Pokazivač kapaciteta akumulatora
6. Tipka za pokazivač kapaciteta akumulatora
7. Kontrolno svjetlo punjenja
8. Priključak za punjenje
9. Sklopka za uključivanje/isključivanje
10. Preklopnik za lijevi/desni smjer vrtnje
11. Punjač
12. Kabel punjača
13. Podešavanje okretnog momenta
14. Čahura za blokadu

4. Sadržaj isporuke

Izvadite sve dijelove iz pakiranja i provjerite cjelovitost sadržaja.

- akumulatorski odvijač PASS 3.6 A1
- punjač
- 26 nastavka odvijača
- držač nastavaka
- kovčeg
- upute za rukovanje

5. Namjenska uporaba

Akumulatorski odvijač prikladan je za uvrtnje i otpuštanje vijaka.

Stroj se smije koristiti samo namjenski. Svaka drugačija uporaba nije namjenska. Za štete ili ozljeđivanja svih vrsta koja bi zbog toga nastala odgovoran je korisnik/rukovatelj a nikako proizvođač.

Molimo da obratite pažnju na to da naši uređaji nisu pogodni za korištenje u komercijalne, obrtničke ili industrijske svrhe. Ne preuzimamo jamstvo ako se uređaj koristi u komercijalne, obrtničke i industrijske svrhe kao i u sličnim djelatnostima.

6. Tehnički podaci

Naponsko napajanje motora:	3,6 V d.c.
Broj okretaja u praznom hodu:	200 min ⁻¹
Desni-lijevi smjer vrtnje:	da
Izlazni napon uređaja za punjenje:	6,8 V d.c.
Izlazna struja uređaja za punjenje:	550 mA
Mrežni napon punjača:	230 V~ 50 Hz
Vrijeme punjenja:	3 sati
Tip akumulatora:	Li ion/1,5 Ah
Težina:	0,4 kg
LED klasa	1

Buka i vibracije

Vrijednosti buke i vibracije izmjerene su prema normi EN 60745.

Razina zvučnog tlaka L_{pA}	62 dB (A)
Nesigurnost K_{pA}	3 dB
Intenzitet buke L_{WA}	73 dB (A)
Nesigurnost K_{WA}	3 dB

Nosite zaštitu za sluh.

Utjecaj buke može izazvati gubitak sluha.

Ukupne vrijednosti vibracija (vektorski zbroj triju smjerova) izmjerene su prema EN 60745.

Uvrtanje vijaka bez udarca

Vrijednost emisije vibracija $a_h \leq 2,5 \text{ m/s}^2$
Nesigurnost $K = 1,5 \text{ m/s}^2$

Upozorenje!

Navedena vrijednost emisije vibracija izmjerena je prema normiranom postupku ispitivanja i može se, ovisno o načinu korištenja elektroalata, promijeniti a u izuzetnim slučajevima može biti i veća od navedene vrijednosti.

Navedena vrijednost emisije vibracija može se koristiti u svrhu usporedbe elektroalata jedne tvrtke s elektroalatom neke druge tvrtke.

Navedena vrijednost emisije vibracija može se također koristiti za početnu procjenu ugrožavanja zdravlja.

Ograničite stvaranje buke i vibracija na minimum!

- Koristite samo besprijeorne uređaje.
- Redovito čistite i održavajte uređaj.
- Svoj način rada prilagodite uređaju.
- Nemojte preopterećivati uređaj.
- Po potrebi predajte uređaj na kontrolu.
- Isključite uređaj kad ga ne koristite.
- Nosite zaštitne rukavice.

7. Prije puštanja u pogon

⚠ Pozor!

Prije korištenja akumulatorskog odvijača obavezno pročitajte ove napomene:

1. Punite akumulator samo s priloženim punjačem (11).
2. Koristite samo besprijeorne i prikladne nastavke za odvijač.
3. Prilikom uvrtnja vijaka u zidove prethodno provjerite ima li u njima skrivenih strujnih kablova ili cijevi za plin i vodu.

8. Rukovanje

8.1 Punjenje akumulatora (sl. 1)

Akumulator je zaštićen od potpunog pražnjenja. Kad je akumulator prazan, integrirani zaštitni sklop automatski isključuje uređaj. U tom slučaju prihvatnik s nastavkom (1) više se ne okreće.

⚠ Pozor!

Kad zaštitni sklop isključi uređaj, više nemojte pritiskati sklopku za uključivanje/isključivanje (9). To može uzrokovati oštećenje akumulatora.

1. Usporedite odgovara li napon naveden na tipskoj pločici postojećem mrežnom naponu. Uključite uređaj za punjenje (11) u utičnicu i spojite kabel za punjenje (12) s dotičnim priključkom (8). Postupak punjenja počinje čim se kabel spoji s priključkom za punjenje.
2. Kontrolna žaruljica punjenja (7) signalizira da se akumulator puni.
3. Kad je proces punjenja završen, gasi se kontrolna žaruljica punjenja (7).

⚠ Pozor!

Tijekom punjenja ručka se može malo zagrijati, što je normalno.

Ako punjenje akumulatora ne bi bilo moguće, provjerite

- ima li u utičnici napona
- jesu li kontakti na uređaju za punjenje (11) besprijeorni.

HR

Ako punjenje akumulatora i dalje nije moguće, molimo Vas da

- uređaj za punjenje (11)
- i odvijač

pošaljete našoj servisnoj službi.

U interesu duljeg vijeka trajanja akumulatora pobrinite se za pravovremeno punjenje. To je u svakom slučaju potrebno onda kad utvrdite da je oslabio učin akumulatorskog odvijača.

8.2 Preklopnik za desni/lijevi smjer vrtnje (slika 2/poz. 10)

Pomoću preklopnika za lijevi/desni smjer vrtnje (10) iznad sklopke za uključivanje/isključivanje (9) možete podesiti smjer vrtnje akumulatorskog odvijača i osigurati ga od neželjenog uključivanja. Možete odabrati lijevi ili desni smjer vrtnje.

⚠ Pozor!

Da biste izbjegli oštećenje prijenosnika, smjer vrtnje treba mijenjati samo kad uređaj miruje. Ako se preklopnik za lijevi/desni smjer vrtnje (10) nalazi u srednjem položaju, sklopka za uključivanje/isključivanje (9) je blokirana.

Smjer vrtnje

desni smjer vrtnje
lijevi smjer vrtnje

Položaj sklopke

pritisnut "R"
pritisnut "L"

8.3 Sklopka za uključivanje/isključivanje (slika 2/poz. 9)

Da biste uključili akumulatorski odvijač, pritisnite sklopku za uključivanje/isključivanje (9). Da biste ga zaustavili, pustite sklopku za uključivanje/isključivanje.

8.4 LED svjetlo (slika 1/poz. 2)

LED svjetlo (2) omogućava osvjetljenje mjesta na koje se uvrću vijci kod nepovoljnih uvjeta rasvjete. Za uključivanje pritisnite sklopku za uključivanje/isključivanje (4). Da biste ga isključili, ponovno pritisnite sklopku (4).

8.5 Podešavanje ručke (slika 1,2/poz. 3)

Odvijač se može aretirati u 2 različita položaja ručke. U tu svrhu morate pritisnuti tipku za blokiranje (3) i okrenuti odvijač u željeni položaj. Zatim pustite tipku za blokiranje (3).

⚠ Pozor!

Prije puštanja u rad provjerite je li odvijač aretiran u dotičnom kutnom položaju.

8.6 Prikaz kapaciteta akumulatora (sl. 4/poz. 5)

Pritisnite tipku za prikaz kapaciteta akumulatora (6). Prikaz kapaciteta (5) signalizira Vam stanje napunjenosti akumulatora pomoću 3 LED diode u boji.

Svijetle sve LED diode:

Akumulator je potpuno napunjen.

Svijetle žuta i crvena LED dioda:

Akumulator je dovoljno napunjena.

Crvena LED dioda:

Akumulator je prazan; napunite ga.

8.7 Zamjena alata (slika 5)

⚠ Pozor!

Kod svih radova (npr. zamjena alata, održavanje itd.) na akumulatorskom odvijaču stavite preklopnik za lijevi/desni smjer vrtnje (10) u srednji položaj.

- Povucite čahuru za blokadu (14) natrag i držite je.
- Utaknite nastavak odvijača (a) u njegov prihvatnik (1), pustite čahuru za blokadu (14).
- Povlačenjem provjerite učvršćenost alata.
- Da biste skinuli nastavak odvijača (a), povucite prema natrag čahuru za blokadu (14) i držite.
- Skinite nastavak (a) i pustite čahuru za blokadu (14).

8.8 Podešavanje okretnog momenta (sl. 1/poz. 13)

⚠ Pozor!

Okretni moment podešavajte kad ne koristite odvijač.

Akumulatorski odvijač ima mehaničko podešavanje okretnog momenta.

Okretni moment podešava se na za to predviđenom mjestu (13) za određenu veličinu vijka. Potreban okretni moment ovisi o više faktora:

- o vrsti i tvrdoći materijala koji se obrađuje
- o vrsti i duljini korištenih vijaka
- o zahtjevima za vijčani spoj.

Kad je željeni okretni moment podešen, spojka daje signal.

8.9 Uvrtnanje vijaka

Najbolje je da koristite vijke sa samocentriranjem (npr. torqs, križni vijak) koji omogućuju siguran rad. Pripazite na to da korišteni nastavak svojim oblikom i veličinom odgovara vijku.

8.10 Preopterećenje vijka

Kad se vijak preopteretiti, zaštitni sklop isključuje uređaj. Nakon nekoliko sekundi odvijač se može ponovno koristiti.

9. Čišćenje, održavanje i naručivanje rezervnih dijelova

⚠ Pozor!

Prije svih radova čišćenja izvucite utikač iz strujne mreže.

9.1 Čišćenje

- Zaštitne naprave, prolaze za zrak i kućište motora čistite što češće od prašine i prljavštine. Istrljajte uređaj čistom krpom ili ga ispušite komprimiranim zrakom pod niskim tlakom.
- Preporučujemo da uređaj očistite odmah nakon svake uporabe.
- Redovito čistite uređaj mokrom krpom i s malo sapunice. Nemojte koristiti sredstva za čišćenje ni otapala; ona bi mogla oštetiti plastične dijelove uređaja. Pripazite na to da u unutrašnjost uređaja ne dospije voda.

9.2 Održavanje

U unutrašnjosti uređaja nema dijelova koje bi trebalo održavati.

9.3 Naručivanje rezervnih dijelova:

Kod naručivanja rezervnih dijelova trebali biste navesti sljedeće podatke:

- Tip uređaja
- Kataloški broj uređaja
- Identifikacijski broj uređaja

Aktualne cijene nalaze se na web stranici www.isc-gmbh.info

HR

10. Zbrinjavanje i recikliranje

Uređaj je zapakiran kako bi se tijekom transporta spriječila oštećenja. Ova ambalaža je sirovina i može se ponovno upotrijebiti ili predati na reciklažu. Uređaj i njegov pribor sastavljeni su od raznih materijala, kao što je npr. metal i plastika. Neispravne sklopove odlažite u specijalni otpad. Raspitajte se o tome u specijaliziranoj trgovini ili općinskoj upravi!



Samo za zemlje članice EU

Elektroalate nemojte bacati u kućno smeće!

Prema europskoj odredbi 2002/96/EG o starim električnim i elektroničkim uređajima i njenim prijenosom u nacionalno pravo, istrošeni električni alati trebaju se posebno sakupljati i na ekološki način zbrinuti na mjestu za reciklažu.

Alternativa s recikliranjem nasuprot zahtjevu za povrat:

Vlasnik električnog uređaja alternativno je obvezan da umjesto povrata uređaja u slučaju odricanja vlasništva sudjeluje u stručnom zbrinjavanju uređaja. Stari uređaj može se u tu svrhu predati i mjestu za preuzimanje takvih uređaja koje provodi uklanjanje u smislu državnih zakona o otpadu i recikliranju. Zakonom nisu obuhvaćeni dijelovi pribora ugrađeni u stare uređaje i pomoćni materijali bez električnih elemenata.

11. Izjava o usklađenosti

Einhell Germany AG · Wiesenweg 22 · D-94405 Landau/Isar



Konformitätserklärung

- erklärt folgende Konformität gemäß EU-Richtlinie und Normen für Artikel
 explains the following conformity according to EU directives and norms for the following product
 déclare la conformité suivante selon la directive CE et les normes concernant l'article
 dichiara la seguente conformità secondo la direttiva UE e le norme per l'articolo
 verklaart de volgende overeenstemming conform EU richtlijn en normen voor het product
 declara la siguiente conformidad a tenor de la directiva y normas de la UE para el artículo
 declara a seguinte conformidade, de acordo com a directiva CE e normas para o artigo
 atterer følgende overensstemmelse i medfør af EU-direktiv samt standarder for artikel
 förklarar följande överensstämmelse enl. EU-direktiv och standarder för artikeln
 vakuuttaa, että tuote täyttää EU-direktiivin ja standardien vaatimukset
 töendab toote vastavust EL direktiivile ja standarditele
 vydává následující prohlášení o shodě podle směrnice EU a norem pro výrobek
 potrjuje sledeću skladnost s smernico EU in standardi za izdelek
 vydáva nasledujúce prehlásenie o zhode podľa smernice EÚ a noriem pre výrobok
 a cikkekhez az EU-irányvonal és Normák szerint a következő konformitást jelenti ki
 deklaruje zgodność wymienionego poniżej artykułu z następującymi normami na podstawie dyrektywy WE.
 декларира съответното съответствие съгласно Директива на ЕС и норми за артикул
 paskaidro šādu atbilstību ES direktīvai un standartiem
 apibūdina šj atitikimą EU reikalavimams ir prekės normoms
 declară următoarea conformitate conform directivei UE și normelor pentru articolul
 δηλώνει την ακόλουθη συμμόρφωση σύμφωνα με την Οδηγία ΕΚ και τα πρότυπα για το προϊόν
 potvrđuje sljedeću usklađenost prema smjernicama EU i normama za artikl
 Izjava o sukladnosti za ovaj proizvod dostupna je na internet stranici www.lidl.hr.
 potvrđuje sljedeću usklađenost prema smjernicama EU i normama za artikl
 potvrđuje sledeću usklađenost prema smernicama EZ i normama za artikal
 следующим удостоверяется, что следующие продукты соответствуют директивам и нормам ЕС
 проголошує про зазначену нижче відповідність виробу директивам та стандартам ЄС на виріб
 Ürünü ile ilgili AB direktifleri ve normları gereğince aşağıda açıklanan uygunluğu belirtir
 erklærer følgende samsvar i henhold til EU-direktivet og standarder for artikkel
 Lysisir uppfyllingu EU-reglna og annarra staða vöru

Akkuschrauber PASS 3,6 A1 / Ladegerät LG PASS 3,6 A1 (Parkside)

- | | |
|---|--|
| <input type="checkbox"/> 87/404/EC_2009/105/EC | <input checked="" type="checkbox"/> 2006/42/EC |
| <input type="checkbox"/> 2005/32/EC_2009/125/EC | <input type="checkbox"/> Annex IV
Notified Body:
Notified Body No.:
Reg. No.: |
| <input type="checkbox"/> 2006/95/EC | |
| <input type="checkbox"/> 2006/28/EC | |
| <input checked="" type="checkbox"/> 2004/108/EC | <input type="checkbox"/> 2000/14/EC_2005/88/EC |
| <input type="checkbox"/> 2004/22/EC | <input type="checkbox"/> Annex V |
| <input type="checkbox"/> 1999/5/EC | <input type="checkbox"/> Annex VI
Noise: measured L_{WA} = dB (A); guaranteed L_{WA} = dB (A)
P = KW; L/Ø = cm
Notified Body: |
| <input type="checkbox"/> 97/23/EC | |
| <input type="checkbox"/> 90/396/EC_2009/142/EC | |
| <input type="checkbox"/> 89/686/EC_96/58/EC | <input type="checkbox"/> 2004/26/EC
Emission No.: |
| <input checked="" type="checkbox"/> 2011/65/EC | |

Standard references: EN 60745-1; EN 60745-2-2; EN 55014-1;
EN 55014-2; EN 60335-1; EN 60335-2-29; EN 61000-3-2; EN 61000-3-3

Landau/Isar, den 22.09.2011

Weichselgartner/General Manager

Unger/Product-Management

First CE: 08
Art.-No.: 45.134.27 I.-No.: 11021
Subject to change without notice

Archive-File/Record: NAPR004730
Documents registrar: Georg Riedel
Wiesenweg 22, D-94405 Landau/Isar

12. JAMSTVENI LIST

Poštovani kupče,

naši proizvodi podliježu strogoj kontroli kvalitete. Žao nam je ako bi ipak došlo do toga da uređaj ne funkcionira besprijekorno i zamolili bismo Vas da se u tom slučaju obratite na adresu naše servisne službe navedenu ispod ovog jamstva. Također smo Vam na raspolaganju na dolje navedenom telefonskom broju servisne službe. Za traženje jamstvenog zahtjeva vrijedi sljedeće:

1. Ovi jamstveni uvjeti reguliraju dodatne jamstvene usluge. Ovo jamstvo ne zadire u Vaše zakonsko pravo zahtjeva za ostvarenje jamstvenih usluga. Realizacija jamstvenih usluga je besplatna.
 2. Jamstvena usluga obuhvaća isključivo nedostatke nastale zbog greške na materijalu ili tijekom proizvodnje i ograničen je na uklanjanje tih nedostataka odnosno zamjenu uređaja. Molimo da obratite pažnju na to da naši uređaji nisu konstruirani za korištenje u komercijalne svrhe niti u obrtu i industriji. Prema tome, ugovor o jamstvu ne može se ostvariti ako se uređaj koristi u obrtničkim ili industrijskim pogonima kao i u sličnim djelatnostima. Nadalje su iz jamstva isključene usluge zamjene proizvoda u slučaju transportnih oštećenja, šteta zbog nepridržavanja uputa za montažu ili zbog nestručne instalacije, nepridržavanja uputa za uporabu (kao npr. zbog priključka na pogrešni mrežni napon ili vrstu struje), zbog zlorababa ili nestručnih primjena (kao npr. preopterećenje uređaja ili korištenje nedopuštenih alata ili pribora), u slučaju nepridržavanja uputa za održavanje i sigurnosnih odredbi, zbog prodiranja stranih tijela u uređaj (npr. pijeska, kamenja ili prašine), nasilne primjene ili vanjskih utjecaja (kao npr. oštećenja zbog pada) kao i zbog uobičajenog trošenja tijekom korištenja. To naročito vrijedi za baterije za koje ipak dajemo jamstvo od 12 mjeseci.
- Zahtjev za jamstvo prestaje biti valjan ako su na uređaju već izvršeni neki zahvati.
3. Jamstveni rok iznosi 3 godine a započinje s datumom kupnje uređaja. Jamstveni zahtjevi ostvaruju se prije isteka jamstvenog roka unutar dvije godine nakon što ste uočili kvar. Ostvarenje jamstvenog zahtjeva nakon isteka jamstvenog roka je isključeno. Popravkom ili zamjenom uređaja ne produljuje se jamstveni rok niti se tom uslugom ostvaruju novi jamstveni rok za uređaj ili ostale ugrađene rezervne dijelove. To također vrijedi i kod korištenja servisa na licu mjesta.
 4. Da biste ostvarili svoj jamstveni zahtjev, molimo Vas da nam pošaljete neispravan uređaj bez plaćanja poštarine na dolje navedenu adresu. Priložite originalni računa za kupnju uređaja ili neki drugi dokaz o kupnji s datumom. Molimo Vas da zbog tog razloga dobro sačuvate račun kao dokaz! Što točnije opišite razlog reklamacije. Ako naša jamstvena usluga obuhvaća kvar nastao na Vašem uređaju, odmah ćemo Vam vratiti popravljeni ili novi uređaj.

Razumljivo je da ćemo za naknadu troškova ukloniti i kvarove koje jamstvena usluga ne obuhvaća. U tom slučaju pošaljite uređaj na adresu našeg servisa.

Einhell Croatia d.o.o.

Velika Ves 2

HR-49224 Lepajci

Tel. 049 342 444 · Fax 049 342 392

Cuprins	Pagina
1. Introducere	33
2. Indicații de siguranță	33-37
3. Descrierea aparatului	38
4. Cuprinsul livrării	38
5. Utilizarea conform scopului	38
6. Date tehnice	38-39
7. Înaintea punerii în funcțiune	39
8. Utilizarea	39-41
9. Curățirea, întreținerea și comanda pieselor de schimb	41
10. Eliminare și reciclare	42
11. Declarație de conformitate	43
12. Certificat de garanție	44

Retipărirea sau orice altă multiplicare a documentației și documentelor însoțitoare ale produselor, chiar și parțial, este permisă numai cu acordul în mod expres a firmei ISC GmbH.

Ne rezervăm dreptul pentru modificări de ordin tehnic

RO



“AVERTISMENT - Pentru reducerea riscurilor de accidentare citiți instrucțiunile de utilizare”

1. Introducere

⚠ Atenție!

La utilizarea aparatelor trebuie respectate câteva măsuri de siguranță pentru a evita leziunile și pagubele. De aceea citiți cu atenție manualul de utilizare / instrucțiunile de siguranță. Păstrați-le cu grijă, pentru a putea avea la dispoziție informațiile tot timpul. Dacă predați aparatul altor persoane, înmânați-le și manualul de utilizare / instrucțiunile de siguranță. Nu preluăm răspunderea pentru accidente sau pagube, care se produc datorită nerespectării acestor instrucțiuni și a indicațiilor de siguranță.

2. Indicații de siguranță

Indicații de siguranță generale pentru aparate electrice

⚠ AVERTISMENT

Citiți toate indicațiile de siguranță și instrucțiunile. Nerespectarea indicațiilor de siguranță și a instrucțiunilor pot duce la electrocutare, incendiu și/sau vătămări corporale grave.

Păstrați toate indicațiile de siguranță și instrucțiunile pentru viitor.

Termenul de “aparat electric” utilizat în indicațiile de siguranță se referă la aparate electrice cu racord la rețeaua electrică (cu cablu de alimentare) și la aparate electrice cu acumulator (fără cablu de alimentare).

1. Siguranța la locul de muncă

- **Mențineți zona dumneavoastră de lucru curată și bine iluminată.** Dezordinea la locul de muncă și zonele de lucru iluminate insuficient pot provoca accidente.
- **Nu lucrați cu aparatul electric în medii cu pericol de explozie în care se găsesc lichide, gaze sau prafuri inflamabile.** Aparatele electrice produc scânteii care pot aprinde vaporii sau praful.
- **Pe timpul folosirii uneltei electrice, țineți copiii sau alte persoane la distanță.** În cazul sustragerii atenției, puteți pierde

controlul asupra aparatului.

2. Siguranța electrică

- **Ștecherul de racord al aparatului trebuie să se potrivească cu priza. Ștecherul nu are voie să fie modificat sub nici o formă. Nu folosiți ștechere adaptoare în combinație cu aparatele cu protecție de pământare.** Ștecherele nemodificate și prizele potrivite reduc riscul unei electrocutări.
- **Evitați contactul corpului dvs. cu suprafețe pământate, cum sunt țevi, sisteme de încălzire, cuptoare și frigider.** Există un risc ridicat de electrocutare, atunci când corpul dumneavoastră este pământat.
- **Feriți aparatele electrice de ploaie sau umiditate.** Pătrunderea apei în aparatul electric mărește riscul de electrocutare.
- **Nu folosiți cablul în alte scopuri, de exemplu pentru transportarea aparatului electric, pentru a-l atârna sau pentru scoaterea ștecherului din priză. Țineți cablul la distanță de surse de căldură, ulei, de muchii ascuțite sau piese în mișcare.** Cablurile deteriorate sau înfășurate, măresc riscul de electrocutare.
- **Atunci când lucrați cu aparatul electric în aer liber, folosiți numai cabluri prelungitoare care sunt aprobate pentru utilizarea lor în exterior.** Utilizarea unui cablu prelungitor cu aprobare pentru exterior reduce riscul de electrocutare.
- **Dacă utilizarea aparatului electric în medii umede este inevitabilă, folosiți un întrerupător de protecție împotriva curenților vagabonzi.** Utilizarea unui întrerupător de protecție împotriva curenților vagabonzi reduce riscul unei electrocutări.

RO**3. Siguranța persoanelor**

- **Fiți vigilenți, gândiți-vă permanent la ceea ce faceți și acordați o deosebită atenție lucrului cu uneltele electrice. Nu utilizați aparatul electric dacă sunteți obosit sau sub influența drogurilor, alcoolului sau a medicamentelor.**

Un moment de neatenție la utilizarea aparatului electric poate duce la accidentări grave.

- **Purtați echipament de protecție personal și întotdeauna ochelari de protecție.**
Purtarea echipamentului de protecție cum ar fi de exemplu mască de praf, încălțăminte rezistentă la alunecare, cască de protecție sau protecție pentru urechi reduce riscul vătămarilor.
- **Evitați punerea accidentală în folosință. Asigurați-vă că aparatul electric este decuplat, înainte de racordarea la rețeaua electrică și/sau la acumulator, înainte de a-l ridica sau transporta.**
Dacă pe timpul transportării aparatului electric ajungeți cu degetul pe întrerupător sau aparatul este racordat la o sursă de curent cu întrerupătorul aretat, acest lucru poate provoca accidente.
- **Scoateți și îndepărtați toate uneltele de reglare sau șurubelnițele înainte de pornirea aparatului electric.**
O unealtă sau o șurubelniță care se găsește într-o piesă a aparatului aflată în mișcare de rotație poate provoca vătămări grave.
- **Evitați o poziție anormală a corpului. Asigurați-vă o poziție sigură și păstrați-vă întotdeauna echilibrul.**
În acest mod, în situații imprevizibile, puteți controla mai bine aparatul electric.
- **Purtați îmbrăcăminte corespunzătoare. Nu purtați îmbrăcăminte largă sau bijuterii. Păstrați părul, îmbrăcăminte și mânușile la distanță de componentele aflate în mișcare.**
Îmbrăcăminte lejeră, bijuteriile sau părul lung pot fi prinse de componentele aflate în mișcare.
- **Dacă există posibilitatea de montare a unor instalații de aspirare a prafului și instalații de captare a prafului,**

convingeți-vă că acestea sunt racordate și utilizate în mod corect.

Utilizarea unei instalații de aspirare a prafului poate reduce pericolele datorate prafului.

4. Utilizarea și manevrarea aparatului electric

- **Nu suprasolicitați aparatul. Folosiți întotdeauna aparatul electric prevăzut pentru lucrarea respectivă.**
Cu aparatul electric potrivit se lucrează mai bine și mai sigur în zona de randament indicată.
- **Nu utilizați scule electrice cu întrerupătorul defect.**
O sculă electrică al cărei întrerupător nu mai poate fi conectat sau deconectat este periculoasă și trebuie reparată.
- **Înainte oricăror reglaje, schimbarea pieselor auxiliare sau depozitarea aparatului, scoateți ștecherul din priză și/sau îndepărtați acumulatorul.**
Această măsură de precauție împiedică pornirea accidentală a aparatului electric.
- **A nu se lăsa sculele electrice nefolosite la îndemâna copiilor. Nu permiteți ca aparatul să fie utilizat de persoane care nu au experiență cu astfel de aparat sau care nu au citit aceste instrucțiuni.**
Sculele electrice sunt periculoase, dacă sunt utilizate de persoane neexperimentate.
- **Îngrijiți cu atenție unealta dumneavoastră. Verificați dacă piesele mobile funcționează ireproșabil și nu sunt blocate, dacă nu sunt piese rupte sau deteriorate, astfel încât funcționarea aparatului electric să fie afectată. Lăsați piesele deteriorate să fie reparate înainte de utilizarea aparatului.**
Cauza multor accidente este întreținerea necorespunzătoare a aparatelor electrice.
- **Mențineți sculele de tăiere ascuțite și curate.**
Uneltele de tăiat îngrijite corespunzător și cu muchii ascuțite se blochează mai rar și pot fi ghidate mai ușor.
- **Utilizați aparatul electric, accesorii, scule atașabile etc. conform acestor**

instrucțiuni. Țineți cont de condițiile de lucru și de operația de executat.

Utilizarea aparatelor electrice în alte scopuri decât cele prevăzute poate duce la situații periculoase.

5. Utilizarea și manevrarea aparatului cu acumulator

- **Încărcați acumulatorii numai în aparate de încărcat recomandate de producător.** În cazul unui aparat de încărcat prevăzut pentru un anumit tip de acumulator, persistă pericol de incendiu dacă este folosit la încărcarea altor acumulatori.
- **În aparatele electrice se vor folosi numai acumulatorii speciali prevăzuți în acest sens.** Utilizarea altor acumulatori poate duce la accidente sau incendii.
- **Păstrați acumulatorii nefolosiți la distanță de clamele de birou, monede, chei, cuie, șuruburi sau alte obiecte metalice care ar putea crea o punte între contacte.** Un scurt-circuit între contactele acumulatorului poate provoca arsuri sau poate duce la incendiu.
- **În cazul folosirii necorespunzătoare se poate scurge lichid din acumulator. Evitați contactul cu acesta. În cazul atingerii accidentale se va spăla imediat cu apă. Dacă lichidul intră în ochi, consultați suplimentar un medic.** Lichidul care se scurge din acumulator poate provoca iritații ale pielii sau arsuri.

6. Service

- **Încredințați aparatul pentru reparații numai personalului calificat, care utilizează numai piese de schimb originale.** Prin aceasta se garantează păstrarea siguranței aparatului dumneavoastră.

Țineți aparatul doar de suprafețele de prindere izolate, dacă executați lucrări la care șurubul sau sculele atașabile pot atinge cabluri electrice ascunse sau cablul propriu al aparatului. Contactul cu cabluri purtătoare de curent va pune sub tensiune și

componentele metalice ale aparatului, ceea ce duce la electrocutare.

Indicații de siguranță speciale pentru șurubelnița electrică cu acumulator litiu-ion

Pentru a vă putea oferi acumulatorii cu densitate energetică maximă, durată de viață lungă și sigure, acordăm o atenție deosebită construcției fiecărui pachet de acumulatori. Celulele acumulatorului dispun de dispozitive de siguranță în mai multe trepte. Fiecare celulă în parte este întâi formatată și caracteristica electrică înregistrată. Aceste date sunt folosite ulterior pentru gruparea celor mai bune pachete de acumulatori posibile. **În ciuda tuturor măsurilor de siguranță, fiți mereu prudenți la manipularea acumulatorilor. Pentru funcționarea sigură trebuie respectate neapărat punctele următoare. Funcționarea în siguranță este posibilă numai dacă celulele nu sunt deteriorate. Manipularea greșită duce la deteriorarea celulelor**

Atenție! Analize confirmă, că utilizarea greșită și îngrijirea necorespunzătoare reprezintă cauzele principale ale daunelor prin acumulatorii de performanță ridicată.

Indicații privind acumulatorul

- Pachetul de acumulatori a aparatului cu acumulator este livrat în stare neîncărcată. De aceea, înainte de prima punere în funcțiune, acumulatorul trebuie încărcat.
- Pentru un randament optimal al acumulatorului evitați cicluri de descărcare profundă! Încărcați deseori acumulatorul.
- Depozitați acumulatorul într-un loc răcoros, cel mai bine la 15°C și încărcat cel puțin 40%.
- Acumulatorii litiu-ion sunt supuse unui proces de îmbătrânire naturală. Cel târziu când capacitatea acumulatorului este de 80% din capacitatea sa în stare nouă, acumulatorul trebuie schimbat! Celulele slăbite ale unui pachet de acumulatori învechit nu mai corespund cerințelor de capacitate ridicate și reprezintă un risc privind siguranța.
- Nu aruncați acumulatorii uzate în foc. Pericol de explozie!

RO

- Nu aprindeți acumuloarele și nu le expuneți la foc.
- **Evitați descărcarea profundă a acumuloarelor!**
Descărcarea profundă deteriorează celulele acumulatorului. Cauza cea mai frecventă pentru descărcarea profundă a pachetului de acumulatori este depozitarea pe timp îndelungat resp. nefolosirea acumuloarelor descărcate parțial. Întrerupeți imediat procesul de lucru dacă capacitatea scade considerabil sau se declanșează sistemul electronic de protecție. Depozitați acumulatorul numai în stare complet încărcată.
- **Feriți acumuloarele resp. aparatul de suprasolicitare!**
Suprasolicitarea duce repede la supraîncălzire și deteriorarea celulelor din interiorul acumulatorului, acest lucru nefiind vizibil din exterior.
- **Evitați deteriorări și lovituri!**
Înlocuiți imediat acumuloarele care au căzut de la o înălțime mai mare de un metru sau care au fost expuse la lovituri puternice, chiar dacă carcasa pachetului de acumulatori nu prezintă deteriorări. Celulele din interiorul acumulatorului pot fi deteriorate considerabil. Țineți cont în acest sens și de indicații privind evacuarea la deșeuri.
- În caz de suprasolicitare și supraîncălzire dispozitivul de protecție integrat decuplează aparatul din motive de siguranță. **Atenție!** Nu mai apăsați întrerupătorul pornire/oprire atunci când dispozitivul de protecție a decuplat aparatul. Acest lucru poate duce la deteriorarea acumulatorului.
- Folosiți numai acumuloare originale. Utilizarea altor acumuloare poate duce la accidente, explozii și incendii.

Indicații privind încărcătorul și procesul de încărcare

- Nu utilizați încărcătorul livrat pentru încărcarea bateriilor nereîncărcabile.
- Țineți cont de datele menționate pe plăcuța indicatoare a încărcătorului. Racordați încărcătorul numai la o rețea cu tensiunea de alimentare identică cu cea indicată pe

plăcuța indicatoare.

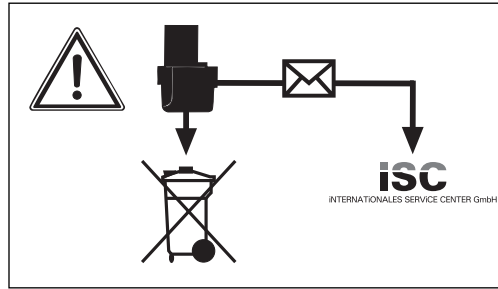
- Feriți încărcătorul și cablurile de deteriorări și muchii ascuțite. Cabluri deteriorate trebuie înlocuite imediat de către un electrician specialist.
- Acest aparat nu este destinat a fi utilizat de persoane (inclusiv copii) cu capacități fizice, senzoriale sau mentale limitate sau care nu au experiență și/sau cunoștințe, cu excepția cazului în care sunt supravegheate de o persoană responsabilă pentru siguranța lor sau atunci când primesc de la această persoană instrucțiuni despre modul în care se utilizează aparatul.
- Copiii trebuie să fie supravegheați pentru a asigura că aceștia nu se joacă la aparat.
- Nu utilizați aparate de încărcat deteriorate.
- Nu utilizați încărcătorul livrat pentru încărcarea altor aparate cu acumulator.
- La solicitare puternică pachetul de acumulatori se încălzește. Înaintea procesului de încărcare lăsați pachetul de acumulatori să se răcească la temperatura încăperii.
- **Nu supraîncărcați acumuloarele!**
Respectați timpii maximi de încărcare. Acești timpi de încărcare sunt valabili numai pentru acumuloare descărcate. Racordarea repetată a unui acumulator încărcat complet sau parțial duce la supraîncărcare și deteriorarea celulelor. Nu lăsați acumuloarele mai multe zile în aparatul de încărcat.
- **Nu utilizați și nu încărcăți niciodată acumuloare, care presupuneți că nu au mai fost încărcate de mai mult de 12 luni.** Există o mare probabilitate că acumulatorul este deja foarte deteriorat (descărcare profundă).
- Încărcarea acumulatorului la temperaturi sub 10°C duce la deteriorarea chimică a celulelor și poate provoca incendii.
- Nu utilizați acumuloare care s-au încălzit în timpul procesului de încărcare, deoarece celulele acumulatorului pot fi deteriorate în mod periculos.
- Nu mai utilizați acumuloare, care s-au boltit sau deformat în timpul procesului de încărcare sau care prezintă simptome neobișnuite la încărcare (degazificare,

- pârâituri, şuiierături, ...).
- Nu descărcați acumulatorul complet (se recomandă descărcarea până la max. 80%). Descărcarea completă duce la îmbătrânirea timpurie a celulelor acumulatorului.
- Nu lăsați bateriile niciodată nesupravegheate în timpul încărcării!

Protecție împotriva mediului ambiant

- Purtați îmbrăcăminte de lucru adecvată. Purtați ochelari de protecție.
- **Feriți aparatul cu acumulator și încărcătorul de umiditate și ploaie.** Umezeala și ploaia pot provoca deteriorări periculoase ale celulelor.
- Nu utilizați aparatul cu acumulator și încărcătorul în apropierea lichidelor inflamabile și aburilor.
- Utilizați aparatul cu acumulator și încărcătorul numai în stare uscată și la o temperatură a mediului înconjurător de 10-40°C.
- Nu păstrați acumulatorul în locuri în care temperatura poate depăși 40°C, în nici un caz într-un autoturism parcat la soare.
- **Feriți acumuloarele de supraîncălzire!** Suprasolicitarea, supraîncărcarea sau expunerea la raze solare duce la supraîncălzire și deteriorarea celulelor. Nu încărcăți și nu lucrați niciodată cu acumuloarele care au fost supraîncălzite - înlocuiți-le imediat.
- **Depozitarea acumuloarelor, încărcătoarelor și aparatului cu acumulator.** Depozitați încărcătorul și aparatul cu acumulator numai în încăperi uscate cu o temperatură a mediului de 10-40°C. Depozitați acumulatorul litiu-ion într-un loc răcoros și uscat la 10-20°C. Feriți acumulatorul de umiditate și expunerea directă la raze solare! Depozitați acumuloarele numai în stare încărcată (încărcate cel puțin 40%).
- Evitați înghețarea acumulatorului litiu-ion. Acumuloarele care au fost depozitate mai mult de 60 minute sub temperatura de 0°C trebuie îndepărtate.
- Țineți cont la manipularea acumuloarelor de încărcarea electrostatică: descărcările

electrostatice duc la deteriorarea sistemului electronic de protecție și a celulelor acumulatorului! Din acest motiv, evitați încărcarea electrostatică și nu atingeți niciodată polii acumulatorului!



Acumuloarele și aparatele electrice cu acumulator conțin materiale dăunătoare mediului înconjurător. Nu aruncați acumuloarele în gunoiul menajer. După defectarea sau uzura aparatelor, scoateți acumulatorul din aparat și trimiteți-l la firma iSC GmbH, Eschenstraße 6 in D-94405 Landau sau, dacă acesta nu poate fi scos, trimiteți aparatul cu acumulator complet. Numai acolo este garantată o eliminare corespunzătoare de către producător.

Țineți cont la expedierea sau eliminarea acumuloarelor resp. a aparatelor cu acumulator, ca acestea să fie ambalate separat pentru a evita un scurtcircuit sau incendiu.

Păstrați cu grijă aceste indicații de siguranță.

RO

3. Descrierea aparatului (Fig. 1)

1. Suport pentru bit
2. Lampă LED
3. Tastă de deblocare
4. Întrerupător pornit/oprit lampă
5. Indicatorul capacității acumulatorului
6. Tastă afișarea capacității acumulatorului
7. Lampă de control pentru nivelul de încărcare
8. Racord de încărcare
9. Întrerupător pornit/oprit
10. Comutator sens rotație stânga/dreapta
11. Încărcător
12. Cablu de încărcare
13. Reglorul cuplului de torsiune
14. Manșon de blocare

4. Cuprinsul livrării

Scoateți toate piesele din ambalaj și verificați dacă livrarea este completă.

- Șurubelniță electrică PASS 3,6 A1
- Încărcător
- 26 bituri
- Suport pentru bituri
- Valiză
- Instrucțiuni de utilizare

5. Utilizarea conform scopului

Mașina de găurit și înșurubat cu acumulator se pretează la introducerea și scoaterea șuruburilor.

Mașina se va utiliza numai în conformitate cu scopul pentru care a fost creată. Orice utilizare care depășește acest domeniu este considerată neconformă. Pentru eventualele daune sau accidente de orice tip rezultate ca urmare a utilizării neconforme a aparatului răspunde utilizatorul/operatorul și nu producătorul.

Vă rugăm să țineți de asemenea cont de faptul că aparatele noastre nu sunt construite pentru utilizare în scopuri meșteșugărești sau

38

industriale. Nu ne asumăm nicio răspundere pentru eventualele probleme survenite ca urmare a utilizării aparatului în întreprinderi lucrativ, meșteșugărești sau industriale precum și în alte activități similare.

6. Date tehnice

Sursa de alimentare a motorului:	3,6 V d.c.
Turație la ralanti:	200 min ⁻¹
Sens rotație stânga/dreapta:	da
Tensiune de ieșire aparat de încărcare:	6,8 U d.c.
Curent de ieșire aparat de încărcare:	550 mA
Tensiunea de alimentare aparat de încărcare:	230V~ 50 Hz
Timpu de încărcare:	3 ore
Tipul acumulatorului:	Li-Ion/1,5 Ah
Greutate:	0,4 kg
Clasă LED	1

Zgomotul și vibrațiile

Valorile de zgomot și vibrație au fost evaluate conform EN 60745.

Nivelul presiunii sonore L_{pA}	62 dB(A)
Nesiguranță K_{pA}	3 dB
Nivelul puterii sonore L_{WA}	73 dB(A)
Nesiguranță K_{WA}	3 dB

Purtați protecție antifonică.

Expunerea la zgomot poate provoca pierderea auzului.

Valoarea vibrațiilor totale (suma vectorilor a trei direcții) a fost evaluată conform EN 60745.

Înșurubare fără percuție

Valoarea vibrațiilor emise $a_n \leq 2,5 \text{ m/s}^2$

Nesiguranță K 1,5 m/s^2

Avertisment!

Valoarea vibrațiilor emise a fost măsurată conform unui proces de verificare normat și se poate modifica în funcție de modul de utilizare a sculei electrice și în cazuri excepționale poate depăși valoarea indicată.

Valoarea vibrațiilor emise poate fi utilizată pentru comparația cu vibrațiile sculelor electrice ale altor producători.

Valoarea vibrațiilor poate fi utilizată și la o estimare introductivă a afecțiunii aparatului.

Limitați zgomotul și vibrațiile la un nivel minim.

- Utilizați numai aparate în stare ireproșabilă.
- Întrețineți și curățați aparatul cu regularitate.
- Adaptați modul dvs. de lucru aparatului.
- Nu suprasolicitați aparatul.
- Dacă este necesar, lăsați aparatul să fie verificat.
- Decuplați aparatul, atunci când acesta nu este utilizat.
- Purtați mănuși!

7. Înaintea punerii în funcțiune**⚠ Atenție!**

Citiți cu atenție aceste instrucțiuni înainte de punerea în funcțiune a șurubelniței electrice:

1. Încărcați pachetul de acumulatori cu ajutorul încărcătorului livrat (11).
2. Folosiți numai bituri adecvate și în stare ireproșabilă.
3. La înșurubare în pereți și ziduri, verificați dacă nu există cabluri electrice sau conducte de gaz și apă ascunse.

8. Utilizarea**8.1 Încărcarea acumulatorului (Fig. 1)**

Acumulatorul este protejat împotriva descărcării totale. Un dispozitiv de protecție integrat decuplează automat aparatul atunci când acumulatorul este descărcat. Suportul bitului nu se mai rotește în acest caz.

⚠ Atenție!

Nu mai apăsați întrerupătorul pornire/oprire (9) atunci când dispozitivul de protecție a decuplat aparatul. Acest lucru poate duce la deteriorarea acumulatorului.

1. Comparați dacă tensiunea din rețea indicată pe plăcuța indicatoare corespunde cu tensiunea existentă în rețea. Introduceți aparatul de încărcare (11) în priză și legați cablul de încărcare (12) la racordul de încărcare (8). Procesul de încărcare începe odată cu racordarea cablului la racordul de încărcare.
2. Lampa de control pentru nivelul de încărcare (7) semnalizează că acumulatorul se încarcă.
3. După terminarea procesului de încărcare lampa de control (7) se stinge.

⚠ Atenție!

În timpul procesului de încărcare mânerul se poate încălzi, acest lucru este însă normal.

Dacă nu este posibilă încărcarea acumulatorului vă rugăm să verificați

- dacă există tensiune la priză
- dacă există un contact perfect la contactele de încărcare ale aparatului de încărcare (11).

Dacă totuși nu este posibilă încărcarea acumulatorului, vă rugăm

- să trimiteți aparatul de încărcat
- și aparatul complet cu stația de încărcare

la service-ul nostru pentru clienți.

Pentru o durată de funcționare îndelungată a acumulatorului acesta trebuie reîncărcat la timp. Acest lucru este necesar în orice caz atunci când constatați că puterea șurubelniței electrice scade.

RO**8.2 Comutator sens rotație stânga/dreapta (Fig. 2/Poz. 10)**

Cu ajutorul comutatorului sensului de rotație stânga/dreapta (10) de deasupra întrerupătorului pornire/oprire (9) puteți regla direcția de rotire a șurubelniței electrice și să o asigurați împotriva pornirii nedorite. Puteți selecta între rotație spre stânga și spre dreapta.

⚠ Atenție!

Pentru a evita deteriorarea transmisiei, comutarea direcției de rotație se va realiza numai atunci când aparatul este în repaus. Dacă comutatorul sensului rotație stânga/dreapta (10) se află în poziția mijlocie, atunci întrerupătorul pornire/oprire (9) este blocat.

Sensul de lucru al mașinii

Rotație spre dreapta
Rotație spre stânga

Poziția comutatorului
"R" apăsat
"L" apăsat

8.3 Întrerupător pornire/oprire (Fig. 2/Poz. 9)

Pentru pornirea șurubelniței electrice apăsați întrerupătorul oprire/pornire (9). Pentru oprire eliberați întrerupătorul de pornire/oprire.

8.4 Lampa LED (Fig.1/Poz. 2)

Lampa LED (2) permite iluminarea locului de înșurubat în condiții de luminozitate redusă. Pentru pornire apăsați întrerupătorul oprit/pornit (4), pentru oprire apăsați-l din nou.

8.5. Reglarea mânerului (Fig. 1, 2/Poz. 3)

Șurubelnița electrică poate fi blocată în două poziții diferite ale mânerului. Pentru aceasta se apasă tasta de blocare (3) și se rotește mașina de înșurubat în poziția dorită. După aceea se eliberează din nou tasta de blocare (3).

⚠ Atenție!

Înainte de punerea de funcțiune verificați dacă mânerul șurubelniței electrice este blocat în poziția respectivă.

8.6 Afișarea capacității acumulatorului (Fig. 4/Poz. 5)

Apăsați tasta pentru afișarea capacității acumulatorului (6). Afișajul capacității acumulatorului (5) vă semnalizează nivelul de încărcare al acumulatorului pe baza a 3 LED-uri colorate.

Toate LED-urile se aprind:

Acumulatorul este complet încărcat.

LED-ul galben și roșu se aprinde:

Acumulatorul mai are rezerve suficiente.

LED-ul roșu:

Acumulatorul este gol, încărcați acumulatorul.

8.7 Schimbarea sculei (Fig. 5)**⚠ Atenție!**

La toate lucrările (de ex. schimbarea sculei, întreținere etc.) efectuate la șurubelnița electrică poziționați comutatorul pentru sensul de rotație stânga/dreapta (10) pe poziția mijlocie.

- Trageți înapoi manșonul de blocare (14) și țineți-l bine în această poziție.
- Introduceți bitul (a) în suportul pentru bit (1) și eliberați manșonul de blocare (14).
- Trageți de sculă pentru a verifica dacă este blocată.
- Pentru a scoate bitul (a), trageți înapoi manșonul de blocare (14) și țineți-l bine.
- Îndepărtați bitul (a) și eliberați manșonul de blocare (14).

8.8 Reglarea cuplului de torsiune (Fig. 1/Poz. 13)

⚠ Atenție!

Reglarea cuplului de torsiune se face numai în stare de repaos. Șurubelnița electrică este echipată cu o setare mecanică a cuplului de torsiune.

Reglarea cuplului de torsiune pentru o anumită mărime de șurub se face cu ajutorul reglului cuplului de torsiune (13). Cuplul de torsiune necesar depinde de mai mulți factori:

- felul și duritatea materialului de prelucrat.
- felul și lungimea șuruburilor utilizate
- solicitările la care îmbinarea cu șurub este expusă.

Atingerea cuplului de torsiune este semnalizat prin declanșarea cuplajului.

8.9 Șuruburi

Șuruburile cele mai adecvate sunt cele cu centrare (de ex. stelate sau cruce) care asigură un mod de lucru sigur. Fiți atenți ca bitul utilizat și șurubul să corespundă ca formă și mărime.

8.10 Suprasolicitarea șurubelniței

În cazul în care șurubelnița electrică este suprasolicitată, dispozitivul de protecție decuplează aparatul. Șurubelnița electrică poate fi utilizată din nou după câteva secunde.

9. Curățirea, întreținerea și comanda pieselor de schimb

⚠ Atenție!

Înainte de toate lucrărilor de curățire scoateți ștecherul din priză.

9.1 Curățirea

- Păstrați cât mai curat posibil dispozitivele de protecție, șlițurile de aerisire și carcasa motorului. Ștergeți aparatul cu o cârpă curată sau curățați-l cu aer comprimat la o presiune mică.
- Recomandăm curățirea aparatului imediat după fiecare utilizare.
- Curățați aparatul cu regularitate cu o cârpă umedă și puțin săpun. Nu folosiți detergenți sau solvenți; aceștia pot ataca părțile din material plastic ale aparatului. Fiți atenți să nu între apă în aparat.

9.2 Întreținere

În interiorul aparatului nu se găsesc piese care necesită întreținere curentă.

9.3 Comanda pieselor de schimb:

La comanda pieselor de schimb trebuie să menționați următoarele date:

- Tipul aparatului
 - Numărul articolului aparatului
 - Numărul de identificare al aparatului
- Informații și prețuri actuale găsiți la adresa www.isc-gmbh.info

RO

10. Eliminare și reciclare

Aparatul se află într-un ambalaj pentru a împiedica pagubele de transport. Acest ambalaj este o materie primă și este astfel re folosibil sau poate fi readus în circuitul de revalorificare a materiilor prime. Aparatul și piesele sale auxiliare sunt construite din diferite materiale, cum ar fi de exemplu metal sau material plastic. Expediați componentele defecte la centrele de colectare ale deșeurilor speciale. Interesați-vă în acest sens în magazinele de specialitate sau la administrația comunală!



Numai pentru țări ale UE

Nu aruncați aparatele electrice la gunoiul menajer!

Conform directivei europene 2002/96/CE cu privire la aparatele electrice și electronice vechi și punerea în aplicare în legislația națională, aparatele electrice uzate trebuie colectate separat și supuse unui ciclu de reciclare ecologic.

Alternativă de reciclare la apelul de trimitere înapoi:

Alternativ returnării, proprietarul aparatului electric este obligat să participe la o valorificare corectă a acestuia, în cazul renunțării asupra proprietății aparatului. Aparatul vechi poate fi predat în acest sens unui centru de colectare, care execută o îndepărtare conform legilor naționale referitoare la reciclare și deșeuri. Nu sunt afectate accesoriile atașate aparatelor vechi și materiale auxiliare fără componente electrice.

11. Declarație de conformitate

Einhell Germany AG · Wiesenweg 22 · D-94405 Landau/Isar



Konformitätserklärung

- erklärt folgende Konformität gemäß EU-Richtlinie und Normen für Artikel
 explains the following conformity according to EU directives and norms for the following product
 déclare la conformité suivante selon la directive CE et les normes concernant l'article
 dichiara la seguente conformità secondo la direttiva UE e le norme per l'articolo
 verklaart de volgende overeenstemming conform EU richtlijn en normen voor het product
 declara la siguiente conformidad a tenor de la directiva y normas de la UE para el artículo
 declara a seguinte conformidade, de acordo com a directiva CE e normas para o artigo
 atterer følgende overensstemmelse i medfør af EU-direktiv samt standarder for artikel
 förklarar följande överensstämmelse enl. EU-direktiv och standarder för artikeln
 vakuuttaa, että tuote täyttää EU-direktiivin ja standardien vaatimukset
 tõendab toote vastavust EL direktiivile ja standarditele
 vydává následující prohlášení o shodě podle směrnice EU a norem pro výrobek
 potrjuje sledeću skladnost s smernico EU in standardi za izdelek
 vydáva nasledujúce prehlásenie o zhode podľa smernice EÚ a noriem pre výrobok
 a cikkekhez az EU-irányvonal és Normák szerint a következő konformitást jelenti ki
 deklaruje zgodność wymienionego poniżej artykułu z następującymi normami na podstawie dyrektywy WE.
 декларира съответното съответствие съгласно Директива на ЕС и норми за артикул
 paskaidro šādu atbilstību ES direktīvai un standartiem
 arībūdina šj atitikimą EU reikalavimams ir prekės normoms
 declară următoarea conformitate conform directivei UE și normelor pentru articolul
 δηλώνει την ακόλουθη συμμόρφωση σύμφωνα με την Οδηγία ΕΚ και τα πρότυπα για το προϊόν
 potvrđuje sljedeću usklađenost prema smjernicama EU i normama za artikl
 Izjava o sukladnosti za ovaj proizvod dostupna je na internet stranici www.lidl.hr.
 potvrđuje sljedeću usklađenost prema smjernicama EU i normama za artikl
 potvrđuje sledeću usklađenost prema smernicama EZ i normama za artikl
 следующим удостоверяется, что следующие продукты соответствуют директивам и нормам ЕС
 проголошує про зазначену нижче відповідність виробу директивам та стандартам ЄС на виріб
 Ürünü ile ilgili AB direktifleri ve normları gereğince aşağıda açıklanan uygunluğu belirtir
 erklærer følgende samsvar i henhold til EU-direktivet og standarder for artikkel
 Lýsir uppfyllingu EU-reglna og annarra staða vöru

Akkuschrauber PASS 3,6 A1 / Ladegerät LG PASS 3,6 A1 (Parkside)

- 87/404/EC_2009/105/EC
 2005/32/EC_2009/125/EC
 2006/95/EC
 2006/28/EC
 2004/108/EC
 2004/22/EC
 1999/5/EC
 97/23/EC
 90/396/EC_2009/142/EC
 89/686/EC_96/58/EC
 2011/65/EC
 2006/42/EC
 Annex IV
 Notified Body:
 Notified Body No.:
 Reg. No.:
 2000/14/EC_2005/88/EC
 Annex V
 Annex VI
 Noise: measured L_{WA} = dB (A); guaranteed L_{WA} = dB (A)
 P = KW; L/Ø = cm
 Notified Body:
 2004/26/EC
 Emission No.:

Standard references: EN 60745-1; EN 60745-2-2; EN 55014-1;
EN 55014-2; EN 60335-1; EN 60335-2-29; EN 61000-3-2; EN 61000-3-3

Landau/Isar, den 22.09.2011

[Signature]
Weichselgartner/General Manager

[Signature]
Unger/Product-Management

First CE: 08
Art.-No.: 45.134.27 I.-No.: 11021
Subject to change without notice

Archive-File/Record: NAPR004730
Documents registrar: Georg Riedel
Wiesenweg 22, D-94405 Landau/Isar

12. Certificat de garanție

Stimate clientă, stimat client,

produsele noastre sunt supuse unui control de calitate riguros. Dacă totuși vreodată acest aparat nu va funcționa ireproșabil ne pare foarte rău și vă rugăm să vă adresați la centrul service indicat la finalul acestui certificat de garanție. Bineînțeles că vă stăm și la telefon cu plăcere la dispoziție, la numerele de service menționate mai jos. Pentru revendicarea pretențiilor de garanție trebuie ținut cont de următoarele:

1. Aceste instrucțiuni de garanție reglementează prestațiile de garanție suplimentare. Pretențiile dumneavoastră de garanție legale nu sunt atinse de această garanție. Prestația noastră de garanție este gratuită pentru dumneavoastră.
2. Prestația de garanție se extinde în exclusivitate asupra defectelor care provin din erori de material sau de fabricație și se limitează la remedierea acestor defecte respectiv la schimbarea aparatului. Vă rugăm să țineți cont de faptul că aparatele noastre, în conformitate cu scopul lor de folosire, nu sunt prevăzute pentru intervenții meșteșugărești sau industriale. Din acest motiv nu se va încheia un contract de garanție atunci când aparatul se va folosi în întreprinderi meșteșugărești sau industriale precum și pentru activități similare. De la garanție sunt excluse deasemenea prestațiile pentru deteriorările intervenite pe timpul transportului, deteriorări datorate neluării în considerare a instrucțiunilor de montare sau datorită instalării necompetente, neluării în considerare a instrucțiunilor de folosire (cum ar fi de exemplu racordarea la o tensiune de rețea falsă sau la un curent fals), utilizarea abuzivă sau improprie (cum ar fi suprasolicitarea aparatului sau folosirea uneltelor atașabile sau auxiliarelor neadmiși), neluării în considerare a prescripțiilor referitoare la lucrările de întreținere și siguranță, intrarea corpurilor străine în aparat (cum ar fi nisip, pietre sau praf), recurgerea la violență sau influențe străine (cum ar fi de exemplu deteriorări datorită căderii), precum și datorită uzurii normale, conformă utilizării. Acest lucru este valabil în special pentru acumulatori, cu toate acestea acordăm totuși o durată de garanție de 12 luni.

Pretenția de garanție se pierde atunci când s-au efectuat intervenții la aparat.

3. Durata de garanție este de 3 ani și începe din ziua cumpărării aparatului. Pretențiile de garanție se vor revendica în interval de două săptămâni de la data apariției defectului. Este exclusă revendicarea pretenției de garanție după expirarea duratei de garanție. Repararea sau schimbarea aparatului nu duc nici la prelungirea duratei de garanție și nici nu se va fixa o durată de garanție nouă pentru prestația efectuată la acest aparat sau pentru o piesă schimbată la acesta. Acest lucru este valabil și în cazul unui service la fața locului.
4. Pentru revendicarea pretențiilor dumneavoastră de garanție vă rugăm să trimiteți aparatul defect gratuit la adresa menționată mai jos. Anexați bonul de cumpărare în original sau o altă dovadă de cumpărare datată. Vă rugăm să păstrați cu grijă bonul de casă drept dovadă! Vă rugăm să descrieți cât mai amănunțit motivul reclamației. Dacă defectul aparatului este cuprins în prestațiile noastre de garanție, veți primi imediat înapoi aparatul reparat sau un aparat nou.

Bineînțeles că remediem cu plăcere contra cost și defecte la aparate care nu sunt sau nu mai sunt cuprinse în prestațiile de garanție. Pentru aceasta trimiteți va rugăm aparatul la adresa noastră service.

Einhell Romania SRL

110, Garlei Str.

Sector 1

RO-013725 Bucharest

Tel. 004-021-35143 02, Fax 004-021-351 43 03

Съдържание	страница
1. Въведение.....	47
2. Указания за безопасност.....	47-52
3. Описание на уредите	52
4. Обем на доставка	52
5. Употреба по предназначение	52-53
6. Технически данни.....	53
7. Преди пускане в експлоатация	54
8. Обслужване	54-56
9. Почистване, поддръжка и поръчка на резервни части	56
10. Екологосъобразно отстраняване и повторно използване.....	56
11. Декларация за съответствие.....	57
12. Документ за гаранция	58

Препечатването или друг вид
размножаване на документация и
съпроводителни документи на продуктите,
също така на части е допустимо само с
изричното съгласие на ISC GmbH.

Запазено е правото за технически промени



“ПРЕДУПРЕЖДЕНИЕ – С цел намаляване на риска от наранявания прочетете
упътването за употреба”

1. Въведение

⚠ Внимание!

При използването на уредите трябва се спазват някои предпазни мерки, свързани с безопасността, за да се предотвратят наранявания и щети. За целта внимателно прочетете това упътване за употреба/указания за безопасност. Пазете го добре, за да разполагате с информацията по всяко време. В случай, че трябва да предадете уреда на други лица, моля, предайте им и това упътване за употреба/указания за безопасност. Ние не поемаме отговорност за злополуки или щети, които възникват вследствие на несъблюдаването на това упътване и на указанията за безопасност.

2. Указания за безопасност

Общи указания за безопасност за електроинструменти

⚠ ПРЕДУПРЕЖДЕНИЕ

Прочетете всички указания за безопасност и инструкции. Пропуските при спазването на указанията за безопасност и инструкциите могат да предизвикат токов удар, пожар и/или тежки наранявания.

Съхранявайте всички указания за безопасност и инструкции за в бъдеще.

Използването в указанията за безопасност понятие „електроинструмент“ се отнася за мрежово-задвижвани електроинструменти (с мрежов кабел) и за акумулаторно-задвижвани електроинструменти (без мрежов кабел).

1. Безопасност на работното място

- **Пазете Вашата работна зона чиста и добре осветена.** Безпорядък и неосветени работни зони могат да доведат до злополуки.
- **Не работете с електроинструмента в експлозионно опасна среда, в която се намират запалими течности,**

газове и прах.

Електроинструментите възпроизвеждат искри, които могат да възпламенят праха или парите.

- **Дръжте далеч деца и други лица по време на използването на електроинструмента.**

В случай на разсейване можете да изгубите контрол над уреда.

2. Електрическа безопасност

- **Съединителният щепсел на електроинструмента трябва да се напасне в контакта. Щепселът не трябва да се променя по никакъв начин. Не използвайте адаптерни щепсели заедно с защитно-заземени електроинструменти.** Непроменени щепсели и подходящи контакти намаляват риска от токов удар.
- **Избягвайте контакт на тялото с заземени повърхности като тръби, отопления, печки и хладилници.** Съществува повишен риск от токов удар, ако тялото Ви е заземено.
- **Пазете електроинструментите от дъжд или влага.** Проникването на вода в електроинструмента увеличава риска от електрически удар.
- **Не използвайте не по предназначение кабела, за да носите, окачвате електроинструмента или за да издърпате щепсела от контакта. Пазете кабела далеч от горещина, масло, остри ръбове или движещи се части на уреди.** Повредени или омотани кабели увеличават риска от електрически удар.
- **Когато работите с електроинструмент на открито, използвайте само удължителни кабели, които са подходящи също така за външната зона.** Използването на подходящ за външната зона удължителен кабел намалява риска от електрически удар.
- **Ако не може да се избегне експлоатацията на електроинструмента във влажна**

среда, използвайте защитен прекъсвач за утечен ток.

Използването на защитен прекъсвач за утечен ток намалява риска от електрически удар.

3. Безопасност на лица

- **Бъдете внимателни, внимавайте за това, което правите и подхождайте разумно към работата с електроинструмента. Не използвайте уреда, ако сте уморени или сте под влиянието на наркотици, алкохол или медикаменти.**

Момент на невнимание при използването на електроуредта може да доведе до сериозни наранявания.

- **Носете лична защитна екипировка и винаги предпазни очила.**
Носенето на лична защитна екипировка като противопрахова маска, устойчиви на подхлъзване защитни обувки, защитна каска или защита за слуха според вида и използването на електроинструмента намалява риска от наранявания.

- **Избягвайте непреднамереното пускане в експлоатация. Уверете се, че електроинструментът е изключен, преди да го свържете за електрозахранването и/или да включите акумулатора, да го повдигнете или носите.**

Ако при носенето на електроинструмента пръстът Ви е на прекъсвача или свързвате уреда включен за електрозахранването, то това може да доведе до злополуки.

- **Извадете инструментите за настройка или гаечните ключове, преди да включите електроинструмента.**

Инструмент или ключ, който се намира във въртяща се част на уреда, може да доведе до наранявания.

- **Избягвайте неестественото положение на тялото. Погрижете се за безопасния строеж и пазете по всяко време равновесие.**

По този начин можете по-добре да

контролирате електроинструмента при неочаквани ситуации.

- **Носете подходящо облекло. Не носете широки дрехи или бижута. Пазете косата, облеклото и ръкавиците далеч от движещите се части.**

Свободно облекло, бижута или дълга коса могат да се захванат от движещи се части.

- **Когато могат да се монтират прахосмукателни устройства и прахоуловителни приспособления се уверете, че те са свързани и се използват правилно.**

Използването на прахосмукателни приспособления може да намали излагането на опасност посредством праха.

4. Използване и обслужване на електроинструмента

- **Не претоварвайте уреда. За Вашата работа използвайте определения за целта електроинструмент.**

С подходящия електроинструмент ще работите по-добре и по-безопасно в подходящия диапазон на мощност.

- **Не използвайте електроинструмент, чийто прекъсвач е дефектен.**

Електроинструмент, който повече не се включва или изключва е опасен и трябва да се ремонтира.

- **Издърпайте щепсела от контакта и/или извадете акумулатора, преди да извършите настройки на уреда, да смените отделните части от принадлежностите или да поставите настрана уреда.**

Тази предотхранителна мярка възпрепятства непреднамереното включване на електроинструмента.

- **Пазете неупотребявани електроинструменти извън обсега на достъп на деца. Не позволявайте уредът да се използва от лица, които не са запознати с този уред или не са прочели тези инструкции.**

Електроинструментите са опасни, когато се използват от неопитни лица.

- **Обслужвайте грижливо електроинструмента.** Проверете, дали подвижните части функционират безупречно и не се приклепват, дали части са счупени или по такъв начин повредени, че е възпрепятствано функционирането на електроинструмента. **Преди използването на уреда занесете на поправка повредените части.**

Причина за много злополуки са лошо поддържаните електроинструменти.

- **Пазете Вашите електроинструменти остри и чисти.**

Грижливо поддържаните режещи инструменти с остри режещи ръбове се заклещват по-малко и са лесни за управление.

- **Използвайте електроинструмент, принадлежности, инструменти за употреба и т.н. съобразно тези инструкции.** При това съблюдавайте условията на работа и дейността, която следва да се извърши.

Употребата на електроинструменти за различна от предвидената употреба може да доведе до опасни ситуации.

5. Използване и обслужване на акумулаторния инструмент

- **Зареждайте акумулаторите само в зарядни устройства, които са препоръчани от производителя.** За зарядно устройство, което е подходящо за определен вид батерии съществува опасност от пожар, ако се използва с други акумулатори.
- **Използвайте само предвидените за целта акумулатори в електроинструментите.** Използването на други акумулатори може да доведе до наранявания и опасност от пожар.
- **Дръжте неупотребявани акумулатори далеч от кламери, монети, ключове, игли, винтове или други малки метални предмети, които могат да предизвикат шунтиране на контактите.** Късо съединение между акумулаторните контакти може да има като последица изгаряния или пожар.

- **При неправилно приложение от акумулатора може да изтече течност. Следователно избягвайте контакта.** При случаен контакт с вода, изплакнете. Ако течността попадне в очите, потърсете допълнително лекарска помощ. Изгичаща акумулаторна течност може да доведе до кожни дразнения или изгаряния.

6. Обслужване

- **Носете Вашия електроинструмент на поправка само от квалифициран компетентен персонал и само с оригиналните резервни части.**

По този начин се гарантира, че се запазва безопасността на електроинструмента.

Дръжте уреда за изолираните повърхности на дръжката, когато извършвате работи, при които винтът или инструментът за употреба може да улучи скрити токопроводници. Контактът с токопроводящ проводник може също така да постави под напрежение металните части на уреда и да доведе до токов удар.

Специални указания за безопасност за литиево-йонен акумулаторен винтоверт
Влагаме голямо усърдие в изграждането на всеки акумулаторен пакет, за да можем да Ви предадем акумулатори с максимална енергийна плътност, издръжливост и сигурност. Клетките на акумулатора разполагат с многостепенни защитни устройства. Всяка отделна клетка най-напред се форматира и нейните електрически характеристики се записват. Тези данни след това се използват, за да могат да се групират най-добрите акумулаторни пакети. **Въпреки всички предпазни мерки при боравенето с акумулатори винаги е необходима предпазливост. За безопасна експлоатация следва задължително да се съблюдават следните точки.**
Безопасна експлоатация се гарантира само с неповредени клетки!
Неправилното боравене води до

BG**повреждане на клетките.**

Внимание! Анализите потвърждават, че грубото неправилно използване и неправилна поддръжка са главната причина за повреди от високомощностни акумулатори.

Указания за акумулатора

- Акумулаторът на зарядното устройство не е зареден в състоянието при доставка. Затова преди първото пускане в експлоатация акумулаторът трябва да се зареди.
- За оптимална мощност на акумулатора избягвайте дълбоки цикли на разреждане! Зареждайте често Вашия акумулатор.
- Съхранявайте Вашия акумулатор на студено, най-добре при 15 °C и зареден най-малко на 40 %.
- Литиево-йонните акумулатори подлежат на естествено остаряване. Най-късно когато мощността на акумулатора отговаря само на повече от 80 % от новото състояние, акумулаторът трябва да се смени! Изтощени клетки в остарял акумулаторен пакет не отговарят на високите изисквания за мощност и поради това представляват риск за безопасността.
- Не хвърляйте използвани акумулатори в открит огън. Опасност от експлозия!
- Не запалвайте акумулатора или не излагайте на изгаряне.
- **Не разреждайте дълбоко акумулаторите!**
Дълбокото разреждане поврежда акумулаторните клетки. Най-честата причина за дълбокото разреждане на акумулаторните пакети е продължителното съхранение респ. неизползване на частично разредени акумулатори. Завършете работния процес, щом като мощността забележимо отслабва или се задейства защитната електроника. Складирайте акумулатора едва след пълното разреждане.
- **Пазете акумулаторите респ. уреда от**

претоварване!

Претоварването бързо води до прегряване и повреждане на клетките във вътрешната част на корпуса на акумулатора, без прегряването външно да се е проявило.

● **Избягвайте повреждания и удари!**

- Незабавно подменете акумулатори, които са паднали върху Ви от повече от метър или които са били изложени на чести удари, дори когато корпусът на акумулаторния пакет изглежда неповреден. Клетките на акумулатора във вътрешната част могат да са сериозно повредени. За целта съблюдавайте също така указанията за екологосъобразно отстраняване.
- При претоварване и прегряване вграденото защитно изключване изключва уреда по причини, свързани с безопасността. **Внимание!** Не задействайте повече вкл-/изключвателя, когато защитното изключване е изключило уреда. Това може да доведе до повреди по акумулатора.
- Използвайте само оригинални акумулатори. Използването на други акумулатори може да доведе до наранявания; експозиция и опасност от пожар.

Указания относно зарядното устройство и процеса на зареждане

- Не използвайте доставеното зарядно устройство за зареждане на батерии, които не могат да се зареждат повторно.
- Спазвайте посочените данни върху фирмената табелка с данни на зарядното устройство. Свързвайте зарядното устройство само за посоченото върху фирмената табелка мрежово напрежение.
- Пазете зарядното устройство и проводника от повреда и остри ръбове. Повредени кабели следва незабавно да се подменят от електроспециалист.
- Зарядното устройство не е предназначено за това да се използва от лица (включително деца) с ограничени физически, възприемателни или

умствени способности или поради липса на опит и/или поради липса на познания, освен ако не се надзирават от компетентно за тяхната безопасност лице или получават от него инструкции за това, как трябва да се използва уреда.

- Децата би трябвало да се надзирават, за да се гарантира, че не си играят с уреда.
- Не използвайте повредени зарядни устройства.
- Не използвайте доставеното зарядно устройство за зареждане на други акумулаторни уреди.
- При голямо натоварване акумулаторният пакет се затопля. Оставете акумулаторния пакет преди началото на процеса на зареждане да се охлади на стайна температура.
- **Не презареждайте акумулаторите!** Съблюдавайте максималното време на зареждане. Това време на зареждане важи само за разреждени акумулатори. Многократното поставяне на зареден или частично зареден акумулатор води до презареждане и повреда на клетките. Не оставяйте акумулаторите няколко дни в зарядното устройство.
- **Не използвайте и не зареждайте акумулатори, за които предполагате, че последното зареждане на акумулатора е било преди повече от 12 месеца.** Голяма е вероятността акумулаторът вече да е опасно повреден (дълбоко разреждане).
- Зареждане при температура под 10 °C води до химическо повреждане на клетката и може да предизвика пожар.
- Не използвайте акумулатори, които са се нагрили по време на зареждането, тъй като акумулаторните клетки биха могли да са се повредели съществено.
- Не използвайте повече акумулатори, които са се огънали или деформирали по време на зареждането или които са показали необичайни симптоми (отделяне на газ, пръщане, скърцане, ...)
- Не разреждайте изцяло акумулатора (препоръчителна дълбочина на разреждане макс. 80 %). Пълното

разреждане води до преждевременно остаряване на акумулаторните клетки.

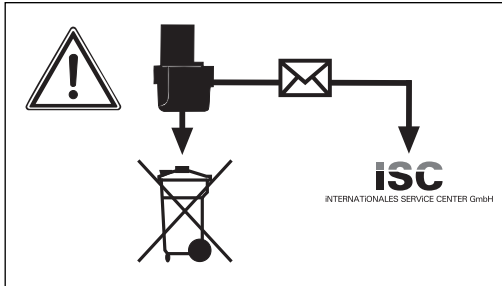
- Никога не зареждайте без надзор батериите!

Защита от влияния на околната среда

- Носете подходящо работно облекло. Носете предпазни очила.
- **Пазете Вашия акумулаторен уред и зарядното устройство от влага и дъжд.** Влагата и дъждът могат да доведат до опасно повреждане на клетките.
- Не използвайте акумулаторния уред и зарядното устройство в зоната на пари и запалими течности.
- Използвайте зарядното устройство и акумулаторните уреди само в сухо състояние и при околна температура от 10-40 °C.
- Не съхранявайте акумулатора на места, които могат да достигнат температура от над 40 °C, по-специално никога в паркирано на слънце МПС.
- **Пазете акумулаторите от прегряване!** Презареждане, претоварване или слънчево лъчение водят до прегряване и до повреждане на клетките. В никакъв случай не зареждайте или не работете с акумулатори, които са прегрели – незабавно ги подменете.
- **Складиране на акумулатори, зарядни устройства и акумулаторен уред.** Съхранявайте зарядното устройство и Вашия акумулаторен уред само във влажни помещения с околна температура от 10-40 °C. Литиево-йонният акумулатор складирайте студен и сух при 10-20 °C. Пазете от влагата на въздуха и от директно слънчево лъчение! Складирайте акумулатори само в заредено състояние (заредени поне на 40 %).
- Възпрепятствайте замръзването на литиево-йонния акумулатор. Акумулатори, които са складирани повече от 60 минути на 0 °C, следва да се отстранят по екологосъобразен начин.
- Предпазливост при боравенето с

BG

акумулатори по отношение на електростатичния заряд: електростатични разреждания водят до повреди на защитната електроника и на акумулаторните клетки! Ето защо избягвайте електростатичното зареждане и никога не докосвайте полюсите на акумулатора!



Акумулатори и акумулаторно-задвижвани електроуреди съдържат застрашаващи околната среда материали. Не поставяйте акумулаторните уреди при битовите отпадъци. След дефект или износване на уредите извадете акумулатора и го изпратете в иСЦ ООД, ул. Ешенщрасе 6 в Германия-94405 Ландау/iSC GmbH, Eschenstraße 6 in D-94405 Landau/или в случай, че е неделимо свързан, изпратете акумулаторния уред. Само там от страна на производителя се гарантира компетентно екологосъобразно отстраняване.

При експедицията или екологосъобразното отстраняване на акумулатори респ. акумулаторен уред обърнете внимание на това, те да са отделно опаковани в пластмасова торбичка с цел да се избегнат къси съединения или пожар!

Пазете добре указанията за безопасност.

3. Описание на уреда (фигура 1)

1. Бит-държач
2. СВЕТОДИОДНА светлина
3. Бутон за деблокировка
4. Лампа на вкл-/изключвател
5. Индикация за капацитета на акумулатора
6. Бутон индикация за капацитета на акумулатора
7. Контролна лампа за зареждане
8. Извод за зареждане
9. Вкл-/изключвател
10. Превключвател ляв/десен ход
11. Зарядно устройство
12. Заряден кабел
13. Настройка на момента на въртене
14. Блокираща втулка

4. Обем на доставка

Извадете всички части от опаковката и ги проверете за тяхната окомплектованост.

- Акумулаторен винтоверт PASS 3,6 A1
- Устройство за зареждане
- 26 бита
- Бит държач
- Куфар
- Упътване за употреба

5. Употреба по предназначение

Акумулаторният винтоверт е подходящ за завинтване и отвинтване на винтове.

Машината трябва да се използва само по нейното предназначение. Всяка друга употреба, различна от тази, не е според предназначението. За възникващи от това щети или наранявания от всякакъв вид отговаря потребителят/обслужващото лице, а не производителят.

Моля, имайте предвид, че нашите уреди според предназначението си не са конструирани за промишлена, занаятчийска или индустриална употреба. Ние не поемаме никаква гаранция, ако уредът се използва в промишлени, занаятчийски или индустриални предприятия, както и при подобни на тях дейности.

6. Технически данни

Захранване с напрежение двигател:

3,6 V d.c.

Обороти на празен ход: 200 мин⁻¹

Десен- ляв-ход: да

Изходящо напрежение зареждащо устройство: 6,8 V d.c.

Изходящ ток зареждащо устройство: 550 mA

Мрежово напрежение зареждащо устройство: 230 V~ 50 Hz

Време за зареждане: 3 ч.

Акумулатор тип: литиево-йонен/1,5 Ah

Тегло: 0,4 кг

СВЕТОДИОДНА СВЕТЛИНА клас 1

Шум и вибрация

Стойностите на шум и вибрация са определени съгласно EN 60745.

Ниво на звуково налягане L_{pA}

62 децибела(A)

Несигурност K_{pA} 3 децибела

Ниво на звукова мощност L_{WA}

73 децибела(A)

Несигурност K_{WA} 3 децибела

Носете защита за слуха.

Въздействието на шума може да предизвика загуба на слуха.

Общите стойности на трептене (векторна сума на три посоки) се определят съгласно EN 60745.

Винтове без удар

Емисионна стойност на трептене

$a_n \leq 2,5 \text{ м/сек}^2$

Несигурност $K = 1,5 \text{ м/сек}^2$

Предупреждение!

Посочената емисионна стойност на трептене е измерена съгласно нормиран изпитвателен метод и в зависимост от вида и начина, по който електроинструментът се използва, може да се променя и в особени случаи да е над посочената стойност.

Посочената емисионна стойност на трептене може да се използва за сравнение на един електроинструмент с друг.

Посочената емисионна стойност на трептене може да се използва също така за въвеждателна оценка на възпрепятстването.

Ограничете появата на шум и вибрация до минимум!

- Използвайте само изрядни уреди.
- Обслужвайте и почиствайте уреда редовно.
- Нагодете начина си на работа спрямо уреда.
- Не претоварвайте уреда.
- При необходимост проверявайте уреда.
- Изключвайте уреда, когато не се използва.
- Носете ръкавици.

7. Преди пускане в експлоатация

⚠ Внимание!

Преди пускането в експлоатация на Вашия акумулаторен винтоверт задължително прочетете тези указания:

1. Зареждайте акумулатора само с доставеното зарядно устройство (11).
2. Използвайте само безупречни и подходящи битове за винтоверта.
3. При завинтване в стени и зидове ги проверявайте за скрити токопроводници, газо- и водопроводи.

8. Обслужване

8.1 Зареждане на акумулатора (изобр. 1)

Акумулаторът е защитен срещу дълбоко изпразване. Вградена схема на защита автоматично изключва уреда, когато акумулаторът е изпразнен. Бит-държачът (1) в този случай повече не се върти.

⚠ Внимание!

Не привеждайте повече в действие вкл-/изключвателя (9), когато схемата на защита е изключила уреда. Това може да доведе до повреда по акумулатора.

1. Сравнете, дали посоченото върху фирмената табелка с данни мрежово напрежение съвпада с наличното мрежово напрежение. Поставете зарядното устройство (11) в контакта и свържете зарядния кабел (12) с извода за зареждане (8). Процесът на зареждане започва, щом като зарядният кабел се свърже с извода за зареждане.
2. Контролната лампа за зареждане (7) сигнализира, че акумулаторът се зарежда.
3. След успешно зареждане контролната лампа за зареждане (7) угасва.

⚠ Внимание!

По време на процеса на зареждане е възможно дръжката леко да се нагрее, но това е нормално.

В случай, че зареждането на акумулатора не е възможно, моля, проверете

- дали в контакта е налице мрежовото линейно напрежение
- дали е налице безупречен контакт в контактите за зареждане на зарядното устройство (11).

В случай, че зареждането все още не е възможно, Ви молим да изпратите в нашата сервисна служба

- зарядното устройство (11)
- и винтоверта.

В интерес на по-дългия живот на акумулатора трябва да се грижите за навременното зареждане на акумулатора. Това е задължително необходимо, когато установите, че мощността на акумулаторния винтоверт отслабва.

8.2 Превключвател ляв/десен ход (фигура 2/поз. 10)

С превключвателя за ляв/десен ход (10) над вкл-/изключвателя (9) можете да регулирате посоката на въртене на акумулаторния винтоверт и да обезопасите акумулаторния винтоверт срещу неволно включване. Можете да избирате между ляв и десен ход.

⚠ Внимание!

За да избегнете повреда на предавката, то посоката на въртене трябва да се превключва само при спиране. Ако превключвателят за ляв/десен ход (10) се намира в средно положение, то вкл-/изключвателят (9) е блокиран.

Посока на въртене

Десен ход
Ляв ход

Позиция на превключвателя

“R” натиснато
“L” натиснато

8.3 Включвател/изключвател (фигура 2/поз. 9)

За да включите акумулаторния винтоверт натиснете включвателя / изключвателя (9). За спиране отново освободете включвателя / изключвателя.

8.4 СВЕТОДИОДНА светлина (фигура 1/поз. 2)

СВЕТОДИОДНАТА светлина (2) дава възможност за осветяване на мястото на завинтване при неблагоприятни условия на осветеност. За да включите, прибутайте вкл-/изключвателя (4) напред, за да изключите натиснете вкл-/ изключвателя (4) отново.

8.5 Настройка на дръжката (фигура 1, 2/поз. 3)

Винтовертът може да се фиксира в 2 различни настройки на дръжката. За целта трябва да се натисне бутон за блокировка (3) и винтовертът да се завърти в желаната позиция. След това отново освободете бутон за блокировка (3).

⚠ Внимание!

Преди пускане в експлоатация проверете, дали винтовертът е фиксиран в съответното положение на дръжката.

8.6 Индикация за капацитета на акумулатора (фигура 4/поз. 5)

Натиснете върху бутона за индикация на капацитета на акумулатора (6). Индикацията за капацитета на акумулатора (5) Ви сигнализира за състоянието на зареденост на акумулатора с помощта на 3 цветни светодиода.

Всички светодиоди светят:

Акумулаторът е напълно зареден.

Жълтия и червен светодиод светят:

Акумулаторът разполага с достатъчно остатъчен заряд.

Червен светодиод:

Акумулаторът е празен, заредете акумулатора.

8.7 Смяна на инструмент (фигура 5)

⚠ Внимание!

При всякакви работи (напр. смяна на инструмент; поддръжка; и др.) поставете превключвателя за ляв/десен ход (10) на акумулаторния винтоверт в средно положение.

- Издърпайте и задръжте блокиращата втулка (14).
- Поставете бита (а) в бит-държача (1), освободете блокиращата втулка (14).
- Проверете блокировката посредством издърпване на инструмента.
- За изваждане на бита (а) дръпнете назад и задръжте блокиращата втулка (14).
- Извадете бита (а) и освободете блокиращата втулка (14).

8.8 Настройка на въртящ момент (фигура 1/поз. 13)

⚠ Внимание!

Настройвайте въртящия момент само при състояние на покой. Акумулаторният винтоверт е оборудван с механична настройка на въртящ момент.

Въртящият момент за определена големина на винта се регулира от настройката на въртящ момент (13). Необходимият въртящ момент зависи от няколко фактора:

- от вида и твърдостта на материала за обработка.
- от вида и дължината на използваните винтове.
- от изискванията, които се поставят по отношение на винтовото съединение.

Достигането на въртящия момент се сигнализира посредством задействането на съединителя.

8.9 Винтове

Най-добре използвайте винтове със самоцентриране (напр. торкс, кръстообразно гнездо), които гарантират безопасна работа. Обърнете внимание на това, използваният бит и винтът да съвпадат по форма и големина.

BG**8.10 Претоварване на винтоверта**

Ако винтовертът е претоварен, защитното изключване изключва уреда. След няколко секунди винтовертът може отново да се използва.

9. Почистване, поддръжка и поръчка на резервни части**⚠ Внимание!**

Преди всяка работа по поддръжката издърпайте мрежовия щепсел.

9.1 Почистване

- Поддържайте защитните приспособления, въздушните отвори и корпуса на мотора колкото е възможно по-чисти и без прах. Изтъркайте уреда с чиста кърпа или го продухайте със сгъстен въздух при ниско налягане.
- Препоръчваме да почиствате уреда директно след всяко използване.
- Почиствайте уреда редовно с влажна кърпа и малко течен сапун. Не използвайте почистващи препарати или разтворители; те биха могли да причинят разяждане на пластмасовите части на уреда. Внимавайте за това, никаква вода да не проникне във вътрешността на уреда.

9.2 Поддръжка

Във вътрешната част на уреда не се намират други части, изискващи поддръжка.

9.3 Поръчка на резервни части:

При поръчката на резервни части трябва да се посочат следните данни:

- Вид на уреда
 - Артикулен номер на уреда
 - Идентификационен номер на уреда
- Актуални цени и информация ще намерите на www.isc-gmbh.info

10. Екологосъобразно отстраняване и повторно използване

Уредът се намира в опаковка, за да се предотвратят щети при транспортирането. Тази опаковка представлява суровина и затова може да се използва повторно или да се върне към цикъла за повторна преработка на суровините. Уредът и неговите части са съставени от различни материали, като например метал и пластмаси. Изхвърлете дефектните монтажни части за екологосъобразно отстраняване на отровни отпадъци. Осведомете се в специализиран магазин или в общинската администрация!



Само за страни от ЕС

Не изхвърляйте електроинструментите при битовите отпадъци!

Съгласно Европейската директива 2002/96/ЕО за електрически и електронни стари уреди и прилагането в националното право употребените електроинструменти трябва да се събират отделно и да се доставят за екологична повторна употреба.

Алтернатива за рециклиране по отношение на призива за връщане: Собственикът на електроуредата вместо връщане алтернативно с цел съдействие е задължен по отношение на целесъобразното оползотворяване в случай на отказ от собственост. Старият уред за целта също така може да се предостави в пункт за обратно вземане, където се извършва отстраняване по смисъла на националните закони за събирането, извозването, складирането и рециклирането на отпадъци. Това не засяга приложените към старите уреди отделни части от принадлежностите и помощни средства без електрически компоненти.

11. Декларация за съответствие

Einhell Germany AG · Wiesenweg 22 · D-94405 Landau/Isar



Konformitätserklärung

- erklärt folgende Konformität gemäß EU-Richtlinie und Normen für Artikel
 explains the following conformity according to EU directives and norms for the following product
 déclare la conformité suivante selon la directive CE et les normes concernant l'article
 dichiara la seguente conformità secondo la direttiva UE e le norme per l'articolo
 verklaart de volgende overeenstemming conform EU richtlijn en normen voor het product
 declara la siguiente conformidad a tenor de la directiva y normas de la UE para el artículo
 declara a seguinte conformidade, de acordo com a directiva CE e normas para o artigo
 attesterer følgende overensstemmelse i medfør af EU-direktiv samt standarder for artikel
 förklarar följande överensstämmelse enl. EU-direktiv och standarder för artikeln
 vakuuttaa, että tuote täyttää EU-direktiivin ja standardien vaatimukset
 tõendab toote vastavust EL direktiivile ja standarditele
 vydává následující prohlášení o shodě podle směrnice EU a norem pro výrobek
 potrjuje sledečo skladnost s smernico EU in standardi za izdelek
 vydáva nasledujúce prehlásenie o zhode podľa smernice EÚ a noriem pre výrobok
 a cikkekhez az EU-irányvonal és Normák szerint a következő konformitást jelenti ki
 deklaruje zgodność wymienionego poniżej artykułu z następującymi normami na podstawie dyrektywy WE.
 декларира съответното съответствие съгласно Директива на ЕС и норми за артикул
 paskaidro šādu atbilstību ES direktīvai un standartiem
 arībūdina šj atitikimą EU reikalavimams ir prekės normoms
 declară următoarea conformitate conform directivei UE și normelor pentru articolul
 δηλώνει την ακόλουθη συμμόρφωση σύμφωνα με την Οδηγία ΕΚ και τα πρότυπα για το προϊόν
 potvrđuje sljedeću usklađenost prema smjernicama EU i normama za artikl
 Izjava o sukladnosti za ovaj proizvod dostupna je na internet stranici www.lidl.hr.
 potvrđuje sljedeću usklađenost prema smjernicama EU i normama za artikl
 potvrđuje sledeću usklađenost prema smernicama EZ i normama za artikal
 следующим удостоверяется, что следующие продукты соответствуют директивам и нормам ЕС
 проголошує про зазначену нижче відповідність виробу директивам та стандартам ЄС на виріб
 Ürünü ile ilgili AB direktifleri ve normları gereğince aşağıda açıklanan uygunluğu belirtir
 erklærer følgende samsvar i henhold til EU-direktivet og standarder for artikkel
 Lýsir uppfyllingu EU-reglna og annarra staða vöru

Akkuschrauber PASS 3,6 A1 / Ladegerät LG PASS 3,6 A1 (Parkside)

- | | |
|---|--|
| <input type="checkbox"/> 87/404/EC_2009/105/EC | <input checked="" type="checkbox"/> 2006/42/EC |
| <input type="checkbox"/> 2005/32/EC_2009/125/EC | <input type="checkbox"/> Annex IV
Notified Body:
Notified Body No.:
Reg. No.: |
| <input type="checkbox"/> 2006/95/EC | |
| <input type="checkbox"/> 2006/28/EC | |
| <input checked="" type="checkbox"/> 2004/108/EC | <input type="checkbox"/> 2000/14/EC_2005/88/EC |
| <input type="checkbox"/> 2004/22/EC | <input type="checkbox"/> Annex V |
| <input type="checkbox"/> 1999/5/EC | <input type="checkbox"/> Annex VI
Noise: measured L_{WA} = dB (A); guaranteed L_{WA} = dB (A)
P = KW; L/Ø = cm
Notified Body: |
| <input type="checkbox"/> 97/23/EC | |
| <input type="checkbox"/> 90/396/EC_2009/142/EC | |
| <input type="checkbox"/> 89/686/EC_96/58/EC | <input type="checkbox"/> 2004/26/EC
Emission No.: |
| <input checked="" type="checkbox"/> 2011/65/EC | |

Standard references: EN 60745-1; EN 60745-2-2; EN 55014-1;
EN 55014-2; EN 60335-1; EN 60335-2-29; EN 61000-3-2; EN 61000-3-3

Landau/Isar, den 22.09.2011

Weichselgartner/General Manager

Unger/Product-Management

First CE: 08
Art.-No.: 45.134.27 I.-No.: 11021
Subject to change without notice

Archive-File/Record: NAPR004730
Documents registrar: Georg Riedel
Wiesenweg 22, D-94405 Landau/Isar

12. ДОКУМЕНТ ЗА ГАРАНЦИЯ

Уважаеми клиенти,

нашите продукти подлежат на строг качествен контрол. В случай, че въпреки това в даден момент този уред не работи безупречно, изказваме съжалението си и Ви молим, да се обърнете към нашата сервисна служба на посочения на тази гаранционна карта адрес. С удоволствие сме на Ваше разположение и по телефона на посочения телефонен номер в сервиса. За предявяването на претенциите по отношение на гаранцията е в сила следното:

1. Тези гаранционни условия уреждат допълнителни гаранционни услуги. Вашите законни права при недостатъци на престацията не биват засегнати от тази гаранция. Нашата гаранционна услуга е безплатна за Вас.
2. Гаранционната услуга се разпростира изключително върху дефекти, които се дължат на дефекти в суровината или производствени дефекти и се ограничава до отстраняване на тези дефекти, респ. до подмяна на уреда. Моля, обърнете внимание на това, че нашите уреди съгласно предназначението не са конструирани за промишлена, занаятчийска или индустриална употреба. Гаранционен договор при това не се сключва, когато уредът се използва в промишлени, занаятчийски или индустриални предприятия, както и при равностойни на тях дейности. От нашата гаранция се изключват също така допълнителни услуги за транспортни щети, щети поради не съблюдаване на упътването за монтажа или въз основа на не прецизна инсталация, не съблюдаване на упътването за употреба (като напр. поради свързване към неподходящо електрическо напрежение или вид ток), груби или неподходящи за целта приложения (като напр. претоварване на уреда или използване на не позволени инструменти за употреба или оборудване), не спазване на разпоредбите за поддръжка и безопасност, навлизане на чужди тела в уреда (като напр. пясък, камъни или прах), употреба на сила или чужди намеси (като напр. щети, получени чрез падане) както и поради обичайното изхабяване при употребата. Това важи по-специално за акумулатори, за които въпреки това осигуряваме гаранционен срок от 12 месеца.

Правото за гаранция изтича, когато по уреда вече са били извършени намеси.

3. Гаранционният период е 3 години и започва от датата на покупка на уреда. Гаранционните права трябва да се предявят преди изтичане на гаранционния период в рамките на две седмици, след като сте открили дефекта. Предявяването на гаранционните права след изтичане на гаранционния период е изключено. Поправката или подмяната на уреда не води до удължаване на гаранционния период, както и с тази услуга за уреда или за евентуални монтирани резервни части не започва нов гаранционен период. Това важи също и при използване на сервисни услуги на място.
4. За предявяването на Вашето гаранционно право, моля, изпратете дефектния уред на посочения по-долу адрес без заплащане на пощенска такса. Приложете квитанцията в оригинал или друг удостоверяващ покупката документ с дата. Моля, затова пазете добре касовия бон като доказателство! Моля, опишете ни причината за рекламацията възможно най-точно. Ако дефектът на уреда е включен в нашата гаранционна услуга, веднага ще получите обратно поправен или нов уред.

Разбира се, в замяна на възстановяването на разходите ние с удоволствие отстраняваме също и дефекти по уреда, които не са или вече не са включени в обхвата на гаранцията. За целта, моля, изпратете уреда на нашия адрес в сервиса.

Einhell Bulgaria LTD
Blvd. "Tzar Osvoboditel" N^o 331.
BG-9000 Varna
Tel. 00359 52 739 038

Περιεχόμενα	Σελίδα
1. Εισαγωγή	61
2. Υποδείξεις ασφαλείας	61-66
3. Περιγραφή της συσκευής	66
4. Συμπαραδιδόμενα	66
5. Ενδεικτική χρήση.....	66-67
6. Τεχνικά χαρακτηριστικά	67
7. Πριν τη θέση σε λειτουργία.....	67-68
8. Χειρισμός.....	68-69
9. Καθαρισμός, συντήρηση και παραγγελία ανταλλακτικών	70
10. Διάθεση στα απορρίμματα και επαναχρησιμοποίηση.....	70
11. Δήλωση Συμμόρφωσης.....	71
12. Εγγύηση	72

Η ανατύπωση ή άλλη αναπαραγωγή τεκμηριώσεων και συνοδευτικών φυλλαδίων των προϊόντων της εταιρείας, ακόμη και σε αποσπάσματα, επιτρέπεται μόνο μετά από ρητή έγκριση της εταιρείας ISC GmbH.

Ο κατασκευαστής διατηρεί το δικαίωμα τεχνικών αλλαγών



„Προειδοποίηση – Για τη μείωση του κινδύνου τραυματισμού διαβάστε την Οδηγία χρήσης“

1. Εισαγωγή

⚠ Προσοχή!

Κατά τη χρήση των συσκευών πρέπει να λαμβάνονται ορισμένα μέτρα ασφαλείας προς αποφυγή τραυματισμών και ζημιών. Για το λόγο αυτό παρακαλούμε να διαβάσετε προσεκτικά αυτή την Οδηγία χρήσης. Φυλάξτε την καλά για να έχετε τις πληροφορίες στη διάθεσή σας ανά πάσα στιγμή. Εάν δώσατε τη συσκευή σε άλλα άτομα, παρακαλούμε να τους παραδώσετε και αυτή την Οδηγία χρήσης. Δεν αναλαμβάνουμε καμία ευθύνη για ατυχήματα που οφείλονται στη μη τήρηση αυτής της Οδηγίας και των υποδείξεων ασφαλείας.

2. Υποδείξεις ασφαλείας

Γενικές υποδείξεις ασφαλείας για ηλεκτρικές συσκευές

⚠ ΠΡΟΣΟΧΗ!

Διαβάστε όλες τις Υποδείξεις ασφαλείας και τις Οδηγίες.

Εάν δεν ακολουθήσετε τις Υποδείξεις ασφαλείας και τις Οδηγίες δεν αποκλείονται ηλεκτροπληξία, πυρκαγιά και/ή σοβαροί τραυματισμοί.

Φυλάξτε προσεκτικά όλες τις Υποδείξεις ασφαλείας και τις Οδηγίες για το μέλλον.

Ο όρος „Ηλεκτρικό εργαλείο“ που αναφέρεται στις Υποδείξεις ασφαλείας αναφέρεται στα εργαλεία που λειτουργούν με ρεύμα δικτύου (με καλώδιο) και στα εργαλεία που λειτουργούν με μπαταρία (χωρίς καλώδιο).

1. Ασφάλεια στην θέση εργασίας

- **Να διατηρείτε τη θέση εργασίας σας καθαρή και καλά φωτισμένη.** Όταν δεν υπάρχει τάξη ή επαρκής φωτισμός δεν μπορούν να αποκλειστούν ατυχήματα.
- **Μην εργάζεστε με τη συσκευή αυτή σε εκρηκτικό περιβάλλον, στο οποίο βρίσκονται εύφλεκτα υγρά, αέρια και σκόνες.**

Τα ηλεκτρικά εργαλεία δημιουργούν σπινθήρες που μπορούν να αναφλέξουν τη σκόνη ή τους ατμούς.

- **Κατά τη διάρκεια της εργασίας με τα ηλεκτρικά εργαλεία να κρατάτε παιδιά και άλλα άτομα μακριά από το χώρο εργασίας.**

Σε περίπτωση που δεν είστε καλά συγκεντρωμένος/η μπορείτε να χάσετε τον έλεγχο επί της συσκευής.

2. ΗΛΕΚΤΡΙΚΗ ΑΣΦΑΛΕΙΑ

- **Το φως της συσκευής πρέπει να ταιριάζει στη πρίζα. Με κανένα τρόπο δεν επιτρέπεται οποιαδήποτε μεταβολή στο φως.**

Μη χρησιμοποιείτε φως με αντάπτορες μαζί με γειωμένες συσκευές. Αμετάβλητα φως και πρίζες που ταιριάζουν μειώνουν τον κίνδυνο μίας ηλεκτροπληξίας.

- **Να αποφεύγετε την επαφή του σώματος με γειωμένες επιφάνειες, όπως σωλήνες, θερμάνσεις, εστίες κουζίνας και ψυγεία.**

Όταν το σώμα σας είναι γειωμένο, αυξάνεται ο κίνδυνος ηλεκτροπληξίας.

- **Μην εκθέτετε τη συσκευή σε βροχή ή υγρασία.**

Όταν διεισδύσει νερό σε μία ηλεκτρική συσκευή, αυξάνεται ο κίνδυνος ηλεκτροπληξίας.

- **Μην χρησιμοποιείτε το καλώδιο για σκοπό για τον οποίο δεν προορίζεται, δηλαδή για να κρατάτε τη συσκευή από το καλώδιο ή για να τραβήξετε το φως από τη πρίζα.**

Να προφυλάσσετε το καλώδιο από υψηλές θερμοκρασίες, λάδι, αιχμηρές γωνίες ή από κινούμενα τμήματα της συσκευής. Ελαττωματικά ή μπερδεμένα καλώδια αυξάνουν τον κίνδυνο μίας ηλεκτροπληξίας.

- **Εάν εργάζεστε με ηλεκτρική συσκευή στο ύπαιθρο, να χρησιμοποιείτε μόνο μπαλαντέζες που είναι κατάλληλε και για τη χρήση στο ύπαιθρο.**

Με τη χρήση μπαλαντέζα: κατάλληλης για χρήση στο ύπαιθρο μειώνετε τον κίνδυνο ηλεκτροπληξίας.

- **Εάν δεν μπορείτε να αποφύγετε τη λειτουργία ηλεκτρικών συσκευών σε**

υγρό περιβάλλον, να χρησιμοποιείτε διακόπτη ασφαλείας.

Η χρήση ενός διακόπτη ασφαλείας μειώνει τον κίνδυνο ηλεκτροπληξίας.

3. ΑΣΦΑΛΕΙΑ ΠΡΟΣΩΠΩΝ

- **Να είστε προσεκτικοί και να προσέχετε καλά, τι κάνετε. Να χρησιμοποιείτε συνετά την ηλεκτρική σας συσκευή.**
Μη χρησιμοποιείτε τη συσκευή όταν είστε κουρασμένοι ή υπό την επιρροή ναρκωτικών, αλκοολούχων ποτών ή φαρμάκων. Μόνο μία στιγμιαία απροσεξία κατά τη χρήση της ηλεκτρικής σας συσκευής, μπορεί να έχει σαν συνέπεια σοβαρούς τραυματισμούς.
- **Να φοράτε τον ατομικό σας προστατευτικό εξοπλισμό και πάντα προστατευτικά γυαλιά.**
Η χρήση προσωπικού προστατευτικού εξοπλισμού όπως μάσκα κατά της σκόνης, αντιολισθητικά υποδήματα ασφαλείας, προστατευτικό κράνος ή ωτοπροστασία μειώνουν, ανάλογα με τη χρήση της ηλεκτρικής σας συσκευής, τον κίνδυνο τραυματισμών.
- **Να αποφεύγετε αθέλητη θέση σε λειτουργία. Σιγουρευτείτε πως το ηλεκτρικό εργαλείο είναι απενεργοποιημένο πριν το συνδέσετε με την παροχή ρεύματος και/ή συνδέσετε το συσσωρευτή, πριν το σηκώσετε και πριν το μεταφέρετε.**
Σιγουρευτείτε πως ο διακόπτης βρίσκεται στη θέση AUS (σβησμένος), προτού βάλετε το φως στη πρίζα. Όταν έχετε το δάκτυλό σας στο διακόπτη όταν μεταφέρετε τη συσκευή ή εάν η συσκευή είναι αναμμένη όταν τη συνδέετε με την παροχή του ρεύματος, δεν αποκλείονται τραυματισμοί.
- **Προτού ανάψετε τη συσκευή να απομακρύνετε τα εργαλεία ρύθμισης ή τα κλειδιά.**
Εργαλεία ρύθμισης ή κλειδιά που βρίσκονται σε ένα περιστρεφόμενο τμήμα της συσκευής, μπορούν να έχουν τραυματισμούς σαν συνέπεια.
- **Να αποφεύγετε τη μη φυσιολογική στάση του σώματος. Φροντίστε να**

στέκεστε σταθερά και να κρατάτε πάντα την ισορροπία σας.

Με τον τρόπο αυτό έχετε τη δυνατότητα να ελέγχετε τη συσκευή καλύτερα σε ανεπάντεχες περιστάσεις.

- **Να φοράτε κατάλληλα ρούχα. Μη φοράτε πολύ φαρδιά ρούχα ή κοσμήματα.**
Τα μαλλιά σας, τα ρούχα σας και τα γάντια να βρίσκονται πάντα μακριά από περιστρεφόμενα τμήματα. Φαρδιά ρούχα, κοσμήματα ή μακριά μαλλιά μπορούν να πιαστούν από κινούμενα τμήματα της συσκευής.
 - **Εάν είναι δυνατόν να συνδεθούν στη συσκευή συστήματα αναρρόφησης σκόνης και περισυλλογής της σκόνης, σιγουρευθείτε, πως είναι σωστά συνδεδεμένα και μπορούν να χρησιμοποιηθούν κατά τον ορθό τρόπο.**
Η χρήση συστήματος αναρρόφησης της σκόνης μπορεί να μειώσει κινδύνους από σκόνη.
- ### 4. Χρήση και χειρισμός του ηλεκτρικού εργαλείου
- **Μην υπερφορτώνετε τα ηλεκτρικά σας εργαλεία.**
Να χρησιμοποιείτε για την εργασία σας πάντα τη συσκευή που είναι κατάλληλη. Με την κατάλληλη συσκευή εργάζεστε καλύτερα και ασφαλέστερα στο αναφερόμενο πεδίο ισχύος.
 - **Μη χρησιμοποιείτε ηλεκτρικές συσκευές, ο διακόπτης των οποίων είναι ελαττωματικός.**
Ένα ηλεκτρικό εργαλείο που δεν μπορείτε να το ανάψετε ή να το σβήσετε είναι επικίνδυνο και πρέπει να επισκευαστεί.
 - **Βγάλτε το βύσμα από την πρίζα και/ή αφαιρέστε το συσσωρευτή προτού κάνετε τις ρυθμίσεις στη συσκευή, πριν αλλάξετε εξαρτήματα ή πριν ακουμπήσετε κάπου τη συσκευή.**
Με αυτό το μέτρο ασφαλείας αποφεύγετε μία αθέλητη εκκίνηση της συσκευής.
 - **Να φυλάγετε μη χρησιμοποιούμενα εργαλεία μακριά από παιδιά. Μη αφήνετε άλλα πρόσωπα που δεν είναι ιεξοικειωμένα με τη συσκευή, ή που δεν**

έχουν διαβάσει τις Οδηγίες, να την χρησιμοποιήσουν.

Οι ηλεκτρικές συσκευές είναι επικίνδυνες, όταν χρησιμοποιούνται από μη πεπειραμένα άτομα.

- **Να περιποήσετε προσεκτικά τα εργαλεία σας. Να ελέγχετε τακτικά εάν κινούνται ελεύθερα τα κινούμενα τμήματα και εάν δεν μπλοκάρουν, εάν έχουν σπάσει εξαρτήματα, εάν παρεμποδίζεται η λειτουργία της συσκευής.**

Πριν τη χρήση να δώσετε τη συσκευή για να επισκευαστούν τα ελαττωματικά εξαρτήματα.

- **Να κρατάτε τα κοπτικά εργαλεία καθαρά και ακονισμένα.**
Προσεκτικά περιποιημένα εργαλεία κοπής με ακονισμένες άκρες κοπής μπλοκάρουν λιγότερο και οδηγούνται πιο εύκολα.

- **Να χρησιμοποιείτε τα ηλεκτρικά εργαλεία, τα εξαρτήματά τους κλπ. μόνο σύμφωνα με αυτές τις οδηγίες. Να λάβετε υπόψη σας τις συνθήκες εργασίας και το είδος της εργασίας σας.**

σύμφωνα με τις Οδηγίες αυτές και ακριβώς έτσι όπως προδιαγράφεται για τον ειδικό τύπο της συσκευής. Να λάβετε υπόψη σας τις συνθήκες εργασίας και την εργασία που πρέπει να εκτελέσετε. Η χρήση ηλεκτρικών εργαλείων για άλλο σκοπό από αυτόν για τον οποίο προορίζονται, μπορεί να έχει σοβαρές συνέπειες.

5. Χρήση και χειρισμός του εργαλείου μπαταρίας

- **Να φορτίζετε τους συσσωρευτές μόνο σε συσκευές φόρτισης που συνιστώνται από τον κατασκευαστή.**
Για μία συσκευή φόρτισης που προορίζεται για ορισμένο είδος συσσωρευτών, υφίσταται κίνδυνος πυρκαγιάς εάν χρησιμοποιηθεί με άλλους συσσωρευτές.
- **Να χρησιμοποιείτε μόνο τους σωστούς συσσωρευτές στις ηλεκτρικές συσκευές.** Η χρήση άλλων συσσωρευτών μπορεί να προκαλέσει ατυχήματα και

κίνδυνο πυρκαγιάς.

- **Το συσσωρευτή που δεν χρησιμοποιείται να τον κρατάτε μακριά από συνδετήρες, κέρματα, κλειδιά, καρφιά, βίδες ή άλλα μεταλλικά μικροαντικείμενα που θα μπορούσαν να προκαλέσουν γεφύρωση των επαφών.** Ένα βραχυκύκλωμα μεταξύ των επαφών των συσσωρευτών μπορεί να έχει σαν συνέπεια εγκαύματα ή πυρκαγιά.
- **Σε περίπτωση λάθους χρήσης μπορεί να εξέλθει υγρό από το συσσωρευτή. Να αποφεύγετε την επαφή μαζί του. Σε περίπτωση τυχαίας επαφής να ξεπλύνετε με νερό. Εάν το υγρό εισέλθει στα μάτια, να συμβουλευθείτε επιπροσθέτως και ένα γιατρό.** Το εξερχόμενο υγρό μπορεί να προκαλέσει δερματικούς ερεθισμούς ή εγκαύματα.

6. Σέρβις

- **Αφήστε να επισκευαστεί η συσκευή σας μόνο από ειδικευμένο προσωπικό και να σιγουρευθείτε πως θα χρησιμοποιηθούν μόνο γνήσια ανταλλακτικά.**

Να κρατάτε τη συσκευή μόνο στις μονωμένες λαβές όταν εκτελείτε εργασίες στις οποίες η βίδα ή το χρησιμοποιούμενο εργαλείο θα μπορούσε να κτυπήσει επάνω σε κρυφά καλώδια ηλεκτρικού ρεύματος. Η επαφή με αγωγό ρεύματος μπορεί να θέσει και τα μεταλλικά τμήματα της συσκευής υπό τάση και προκαλεί ηλεκτροπληξία.

Ειδικές Υποδείξεις ασφαλείας

Προσέχουμε ιδιαίτερα την κατασκευή κάθε μπαταρίας, έτσι ώστε να παραδίδουμε στους πελάτες μας πάντα μπαταρίες με μέγιστη ενεργειακή πυκνότητα ροής, μεγάλη διάρκεια ζωής και ασφάλεια. Τα κύτταρα μπαταριών διαθέτουν περισσότερα συστήματα ασφαλείας. Κάθε κύτταρο διαμορφώνεται και κατόπιν καταγράφονται τα ηλεκτρικά χαρακτηριστικά. Αυτά τα στοιχεία χρησιμοποιούνται έπειτα για την καλύτερη

ομαδοποίηση της μπαταρίας. **Παρ' όλα τα μέτρα ασφαλείας πρέπει να προσέχετε ιδιαίτερα κατά τον χειρισμό των μπαταριών. Για την ασφαλή χρήση πρέπει οπωσδήποτε να προσέξετε τα εξής. Μία ασφαλής λειτουργία είναι δυνατή μόνο με ακέραια κύτταρα χωρίς ζημιές! Ένας λάθος χειρισμός έχει σαν συνέπεια την ζημιά στα κύτταρα**

Προσοχή! Από αναλύσεις επιβεβαιώνεται ως κακή χρήση και εσφαλμένη περιποίηση αποτελούν την βασική αιτία για ζημιές των συσσωρευτών υψηλής ισχύος.

Υποδείξεις για τη μπαταρία

- Η μπαταρία της συσκευής δεν είναι φορτισμένη κατά την παράδοση της συσκευής. Πριν την πρώτη χρήση πρέπει λοιπόν να φορτιστεί η μπαταρία. Να φορτίζετε συχνά τη μπαταρία σας.
- Συνιστάται η αποθήκευση της μπαταρίας σε δροσερό χώρο σε 15°C και τουλάχιστον κατά 40% φορτισμένη.
- Οι μπαταρίες με ιόντα λιθίου υπόκεινται σε φυσιολογική γήρανση.
- Το αργότερο όταν η απόδοση της μπαταρίας ανταποκρίνεται μόν στα 80% της αρχικής, πρέπει να αντικατασταθεί. Τα αδυνατισμένα κύτταρα σε γηρασμένη μπαταρία δεν μπορούν πλέον να ανταποκριθούν στις ψηλές απαιτήσεις και αποτελούν κίνδυνο.
- Ποτέ μην πετάτε παλιές μπαταρίες σε φωτιά. Κίνδυνος έκρηξης!
- Μην καίγετε μία μπαταρία ή μην την εκθέτετε σε καύση.
- **Μην εκφορτίζετε βαθιά τις μπαταρίες!** Η βαθιά εκφόρτιση ζημιώνει τα κύτταρα. Η συχνότερη αιτία για την βαθιά εκφόρτιση είναι ο μακρύς χρόνος αποθήκευσης ή μη χρήση βαθιά εκφορτισμένων μπαταριών. Να τερματίσετε την εργασία σας μόλις μειωθεί αισθητά η ισχύς ή ανταποκριθεί το ηλεκτρονικό σύστημα προστασίας. Να αποθηκεύετε τη μπαταρία μόνο μετά από πλήρη φόρτιση.
- **Να προστατεύετε τις μπαταρίες ή τη συσκευή από υπερφόρτωση!** Μία υπερφόρτωση οδηγεί γρήγορα σε

υπερθέρμανση και ζημιά των κυττάρων στο εσωτερικό του περιβλήματος της μπαταρίας, χωρίς να γίνει εξωτερικά αισθητή η υπερθέρμανση.

- **Να αποφεύγετε ζημιές και κρούσεις!** Να αντικαθίσταται αμέσως μία μπαταρία που σας έπεσε από ύψος πάνω του μέτρου ή που εκτέθηκε σε δυνατές κρούσεις, ακόμη και αν το περίβλημα φαίνεται ακέραιο. Τα κύτταρα στο εσωτερικό μπορεί να έχουν πάθει σοβαρή ζημιά. Προσέξτε τις υποδείξεις απόρριψης.
- Σε περίπτωση υπερφόρτωσης ή υπερθέρμανσης το ενσωματωμένο σύστημα ασφαλείας απενεργοποιεί τη συσκευή για λόγους ασφαλείας. **Προσοχή!** Μην χειριστείτε πλέον τον διακόπτη ενεργοποίησης/απενεργοποίησης όταν απενεργοποιήθηκε η συσκευή από το σύστημα ασφαλείας. Αυτό θα μπορούσε να προκαλέσει βλάβη του συσσωρευτή.
- Να χρησιμοποιείτε μόνο γνήσιες μπαταρίες. Η χρήση άλλων μπαταριών μπορεί να προκαλέσει τραυματισμούς, έκρηξη και κίνδυνο πυρκαγιάς.

Υποδείξεις για το φορτιστή και τη φόρτιση

- Μη χρησιμοποιείτε το συμπαραδιδόμενο φορτιστή για τη φόρτιση μη επαναφορτιζόμενων μπαταριών.
- Προσέξτε τα στοιχεία που αναφέρονται στην πινακίδα του φορτιστικού. Να συνδέετε τη συσκευή μόνο στην τάση δικτύου που αναφέρεται στην πινακίδα με τα στοιχεία της συσκευής.
- Να προστατεύετε το φορτιστικό και τον αγωγό από ζημιές και αιχμηρές γωνίες. Να αντικατασταθούν αμέσως από ηλεκτρολόγο τα ελαττωματικά καλώδια.
- Αυτός ο φορτιστής δεν προορίζεται για άτομα (συμπεριλαμβανομένων και παιδιών) με περιορισμένες σωματικές, αισθητικές ή πνευματικές ικανότητες ή ελλείπει πείρας ή/και ελλείπει γνώσεων, εκτός εάν επιτηρούνται από άτομο αρμόδιο για την ασφάλεια ή εάν έλαβαν οδηγίες για το πώς πρέπει να χρησιμοποιηθεί η συσκευή.

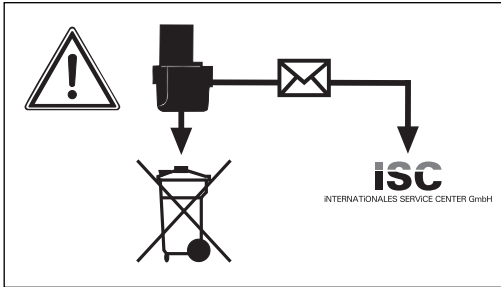
- Τα παιδιά να επιβλέπονται για να είναι σίγουρο πως δεν παίζουν με τη συσκευή.
- Μη χρησιμοποιείτε ελαττωματικούς φορτιστές.
- Μη χρησιμοποιείτε το συμπαραδιδόμενο φορτιστή για τη φόρτιση άλλων συσκευών.
- Σε περίπτωση εντατικής καταπόνησης θερμαίνεται η μπαταρία. Πριν την αρχή της φόρτισης αφήστε τη μπαταρία να πάρει τη θερμοκρασία δωματίου.
- **Μην υπερφορτίζετε τις μπαταρίες!** Προσέξτε τους μέγιστους χρόνους φόρτισης. Αυτοί οι χρόνοι ισχύουν μόνο για εκφορτισμένες μπαταρίες. Επανειλημμένη τοποθέτηση μίας φορτισμένης ή μερικώς φορτισμένης μπαταρίας συνεπάγεται την υπερφόρτιση και ζημιά των κυττάρων. Μην αφήνετε τις μπαταρίες περισσότερες ημέρες στο φορτιστή.
- **Ποτέ μη χρησιμοποιείτε και μη φορτίζετε μπαταρίες για τις οποίες υποψιάζεστε πως η τελευταία φόρτιση έγινε πριν από 12 μήνες.** Η πιθανότητα είναι μεγάλη να έχει πάθει η μπαταρία ήδη σοβαρή ζημιά (βαθιά εκφόρτιση).
- Η φόρτιση σε θερμοκρασία κάτω των 10°C οδηγεί σε χημική ζημιά της μπαταρίας και ενδεχομένως σε πυρκαγιά.
- Μη χρησιμοποιείτε μπαταρίες που ζεστάθηκαν κατά τη διάρκεια της φόρτισης διότι τα κύτταρα μπορεί να έχουν υποστεί επικίνδυνη ζημιά.
- Μη χρησιμοποιείτε πλέον μπαταρίες που παραμορφώθηκαν κατά τη διάρκεια της φόρτισης ή που παρουσίασαν άλλα ασυνήθιστα συμπτώματα (αέρια, θορύβους, ...)
- Μην εκφορτίζετε πλήρως τη μπαταρία σας (συνιστώμενο βάθος εκφόρτισης μέξιμουμ 80%). Η πλήρης εκφόρτιση συνεπάγεται την πρόωρη γήρανση των κυττάρων της μπαταρίας.
- Ποτέ μην φορτίζετε τις μπαταρίες χωρίς επιτήρηση!

Προστασία από περιβαλλοντολογικές επιδράσεις

- Να φοράτε πάντα τον κατάλληλο ρουχισμό εργασίας. Να φοράτε προστατευτικά γυαλιά.
- **Να προστατεύετε τη συσκευή σας και το φορτιστή από υγρασία και βροχή.** Η υγρασία και η βροχή μπορεί να οδηγήσουν σε επικίνδυνη ζημιά των κυττάρων.
- Μη χρησιμοποιείτε τη συσκευή και το φορτιστή κοντά σε ατμούς και εύφλεκτα υγρά.
- Να χρησιμοποιείτε το φορτιστή και τη συσκευή μόνο σε στεγνή κατάσταση και σε θερμοκρασία περιβάλλοντος 10 – 40°C.
- Μη φυλάγετε τη μπαταρία σε μέρος όπου η θερμοκρασία μπορεί να υπερβεί τους 40°C, ιδιαίτερα όχι σε αυτοκίνητο σταθμευμένο στον ήλιο.
- **Να προστατεύετε τις μπαταρίες από υπερθέρμανση!** Υπερφόρτωση, υπερφόρτιση ή ηλιακή ακτινοβολία οδηγεί σε υπερθέρμανση και βλάβη των κυττάρων. Μην φορτίζετε ποτέ και μην εργάζεστε με μπαταρίες που υπερθερμάνθηκαν – να αντικαθίστανται αμέσως.
- **Διατήρηση μπαταριών, φορτιστή και συσκευής μπαταρίας.** Να φυλάγετε τον φορτιστή και τη συσκευή σας που λειτουργεί με μπαταρία μόνο σε στεγνούς χώρους με θερμοκρασία περιβάλλοντος 10-40°C. Να φυλάγετε την μπαταρία σας σε δροσερό και στεγνό χώρο σε 10-20°C. Να προστατεύεται από υγρασία αέρα και άμεση ηλιακή ακτινοβολία! Να αποθηκεύετε τις μπαταρίες μόνο σε φορτισμένη κατάσταση (τουλ. 40% φορτισμένη)
- Δεν επιτρέπεται η έκθεση της μπαταρίας ιόντων λιθίου σε θερμοκρασίες υπό το μηδέν. Οι μπαταρίες που αποθηκεύθηκαν πάνω από 60 λεπτά σε θερμοκρασίες κάτω από 0°C, πρέπει να απορριφθούν.
- Προσοχή με το χειρισμό των μπαταριών σε σχέση με ηλεκτροστατική φόρτιση: η ηλεκτροστατική προκαλεί ζημιές στο ηλεκτρονικό σύστημα προστασίας και στα κύτταρα της μπαταρίας! Για το λόγο αυτό να αποφεύγετε την ηλεκτροστατική

GR/
CY

φόρτιση και ποτέ να μην αγγίζετε τους πόλους της μπαταρίας!



Οι συσσωρευτές και οι ηλεκτρικές συσκευές που λειτουργούν με μπαταρίες, περιέχουν υλικά επικίνδυνα για το περιβάλλον. Μην πετάτε στα οικιακά απορρίμματα τις συσκευές με μπαταρίες. Αφού διαπιστώσετε ελλείπωμα ή φθορά, αφαιρέστε τη μπαταρία και στείλτε τη συσκευή προς την iSC GmbH, Eschenstraße 6, D-94405 Landau, ή, εάν δεν χωρίζεται η μπαταρία από τη συσκευή, στείλτε ολόκληρη τη συσκευή με την μπαταρία της. Μόνο εκεί είναι εγγυημένη η σωστή απόσυρσή τους.

Κατά την αποστολή ή απόρριψη μπαταριών ή συσκευών μπαταρίας προσέξτε να μπου χωριστά σε πλαστικές σακούλες ώστε να αποφευχθεί ένα βραχυκύκλωμα ή πυρκαγιά!

Να φυλάξετε καλά αυτές τις Οδηγίες χρήσης.

3. Περιγραφή της συσκευής (εικ. 1)

1. Υποδοχή bit
2. Φως LED
3. Δακτύλιος μανταλώματος
4. Διακόπτης ενεργοποίησης/απενεργοποίησης Λάμπα
5. Ένδειξη δυναμικότητας μπαταρίας
6. Διακόπτης ένδειξης δυναμικότητας μπαταρίας
7. Λυχνία ελέγχου φόρτισης
8. Σύνδεση φόρτισης
9. Διακόπτης ενεργοποίησης/απενεργοποίησης
10. Διακόπτης αλλαγής αριστερόστροφης/δεξιόστροφης λειτουργίας
11. Φορτιστής
12. Καλώδιο φόρτισης:
13. Ρύθμιση ροπής στρέψης
14. Δακτύλιος μανταλώματος

4. Συμπαραδιδόμενα

Αφαιρέστε όλα τα τμήματα από τη συσκευασία και ελέγξτε τη συσκευή για πληρότητα.

- Κατσαβίδι μπαταρίας PASS 3,6 A1
- Φορτιστής
- 26 bits
- Υποδοχή bit
- Βαλίτσα
- Οδηγίες χρήσης

5. Ενδεδειγμένη χρήση

Το κατσαβίδι μπαταρίας είναι κατάλληλο για βίδωμα και ξεβίδωμα βιδών.

Η μηχανή να χρησιμοποιείται μόνο για το σκοπό για τον οποίο προορίζεται. Κάθε πέραν τούτου χρήση δεν είναι ενδεδειγμένη. Για ζημιές ή τραυματισμούς παντός είδους που οφείλονται σε μη ενδεδειγμένη χρήση ευθύνεται ο χρήστης / χειριστής και όχι ο

κατασκευαστής.

Παρακαλούμε να προσέξετε, πως οι συσκευές μας δεν έχουν κατασκευαστεί για επαγγελματική, βιοτεχνική και βιομηχανική χρήση. Δεν αναλαμβάνουμε καμία εγγύηση, εάν η συσκευή χρησιμοποιηθεί σε βιοτεχνίες ή βιομηχανίες ή σε παρόμοιες εργασίες.

6. Τεχνικά χαρακτηριστικά

Τροφοδοσία τάσης κινητήρα:	3,6 V d.c.
Αριθμός στροφών ραλεντί:	200 min ⁻¹
Δεξιόστροφη-αριστερόστροφη λειτουργία:	ναι
Τάση εξόδου φορτιστή:	6,8 V d.c.
Ρεύμα εξόδου φορτιστή:	550 mA
Τάση δικτύου φορτιστή:	230V~ 50 Hz
Διάρκεια φόρτισης:	το ανώτερο σε περ. 3 ώρες.
Τύπος συσσωρευτή:	λιθίου-ιόντος/1,5 Ah
Βάρος:	0,4 kg
Κλάση LED	1

Θόρυβος και δόνηση

Ο θόρυβος και οι δονήσεις μετρήθηκαν σύμφωνα με το πρότυπο EN 60745.

Στάθμη ηχητικής πίεσης L _{PA}	62 dB(A)
Αβεβαιότητα K _{PA}	3 dB
Στάθμη ακουστικής ισχύος L _{WA} :	73 dB(A)
Αβεβαιότητα K _{WA}	3 dB

Να χρησιμοποιείτε ηχοπροστασία

Η επίδραση του θορύβου μπορεί να προκαλέσει την απώλεια της ακοής.

Συνολική τιμή δονήσεων (άθροισμα διανύσματος τριών κατευθύνσεων) διαπιστωθείσα σύμφωνα με EN 60745.

Βίδωμα χωρίς κρούση

Εκπομπή δονήσεων a_h ≤ 2,5 m/s²

Αβεβαιότητα K = 1,5 m/s²

Προσοχή!

Η αναφερόμενη τιμή μετάδοσης δόνησης μετρήθηκε βάσει τυποποιημένης μεθόδου ελέγχου και μπορεί να μεταβληθεί ή και σε εξαιρετικές περιπτώσεις να κυμαίνεται άνω της αναφερόμενης τιμής, ανάλογα από τον τρόπο χρήσης του ηλεκτρικού εργαλείου.

Η αναφερόμενη μετάδοση δονήσεων μπορεί να χρησιμοποιηθεί και για σύγκριση με άλλο ηλεκτρικό εργαλείο.

Η αναφερόμενη τιμή μετάδοσης δόνησης μπορεί επίσης να χρησιμοποιηθεί και για αρχική εκτίμηση της έκθεσης.

Περιορίστε την δημιουργία θορύβου και τις δονήσεις στο ελάχιστο!

- Να χρησιμοποιείτε μόνο συσκευές σε άψογη κατάσταση.
- Να συντηρείτε και να καθαρίζετε τακτικά τη συσκευή.
- Να προσαρμόζετε στη συσκευή τον τρόπο εργασίας σας.
- Προσέξτε να μην υπερφορτώνετε τη συσκευή.
- Αφήστε τη συσκευή να κρυθεί να ελεγχθεί από ειδικό τεχνίτη.
- Να απενεργοποιείτε τη συσκευή όταν δεν την χρησιμοποιείτε.
- Να φοράτε γάντια.

7. Πριν τη θέση σε λειτουργία

⚠ Προσοχή!

Πριν τη θέση σε λειτουργία του καταβιδιού μπαταρίας σας να διαβάσετε οπωσδήποτε αυτές τις υποδείξεις:

1. Να φορτίζετε τη μονάδα του συσσωρευτή με τον συμπαραδιδόμενο φορτιστή (11).
2. Να χρησιμοποιείτε μόνο κατάλληλες καταβιδόλαμες σε άψογη κατάσταση.
3. Όταν βιδώνετε σε εσωτερικούς και εξωτερικούς τοίχους να ελέγχετε για

GR/
CY

ενδεχόμενους αγωγούς ρεύματος, αερίου και νερού.

8. Χειρισμός

8.1 Φόρτιση του συσσωρευτή (εικ. 1)

Ο συσσωρευτής προστατεύεται κατά βαθιάς εκκένωσης. Μία ενσωματωμένη ασφάλεια απενεργοποιεί τη συσκευή, όταν εκκενωθεί ο συσσωρευτής. Η υποδοχή bit (1) δεν περιστρέφεται πλέον στην περίπτωση αυτή.

⚠ Προσοχή!

Μη χειρίζεστε πλέον τον διακόπτη ενεργοποίησης/απενεργοποίησης (9) όταν η ασφάλεια απενεργοποίησε τη συσκευή. Αυτό μπορεί να καταστρέψει το συσσωρευτή.

1. Συγκρίνετε εάν συμφωνεί η τάση που αναφέρεται στην ετικέτα στοιχείων της συσκευής με την τάση δικτύου σας. Βάλτε το φορτιστή (11) στην πρίζα και συνδέστε το καλώδιο φόρτισης (12) με τη σύνδεση φόρτισης (8). Η φόρτιση αρχίζει μόλις συνδεθεί το καλώδιο φόρτισης με τη σύνδεση φόρτισης.
2. Η λάμπα ελέγχου (7) δείχνει πως ο συσσωρευτής φορτίζεται.
3. Μετά την περάτωση της φόρτισης σβήνει η λυχνία ελέγχου της φόρτισης (7).

⚠ Προσοχή!

Κατά τη διάρκεια της φόρτισης μπορεί να ζεσταθεί λίγο η χειρολαβή, πράγμα φυσιολογικό.

Εάν δεν είναι δυνατή η φόρτιση της μπαταρίας, παρακαλούμε να ελέγξετε

- εάν υπάρχει τάση στην πρίζα.
- εάν υπάρχει άψογη επαφή στις επαφές φόρτισης του φορτιστή (11).

Εάν δεν είναι δυνατή η φόρτιση του συσσωρευτή, παρακαλούμε να ελέγξετε

- το φορτιστή (11)
- και το κατσαβίδι

στο τμήμα αμς εξυπηρέτησης πελατών.

Προς εξασφάλιση μακράς διάρκειας ζωής του συσσωρευτή να φροντίσετε για έγκαιρη επαναφόρτιση της μονάδας του συσσωρευτή. Αυτό είναι οπωσδήποτε απαραίτητο όταν διαπιστώσετε πως μειώνεται η ισχύς του κατσαβιδιού με μπαταρία.

8.2 Διακόπτης αλλαγής κατεύθυνσης αριστερά / δεξιά (εικ. 2/αρ. 10)

Με το διακόπτη αλλαγής κατεύθυνσης αριστερά/δεξιά (10) πάνω από το διακόπτη ενεργοποίησης/απενεργοποίησης (9) μπορείτε να ρυθμίσετε την κατεύθυνση του κατσαβιδιού μπαταρίας και να το ασφαλίσετε κατά αθέλητης εκκίνησης. Μπορείτε να επιλέξετε μεταξύ δεξιόστροφης και αριστερόστροφης κίνησης.

⚠ Προσοχή!

Προς αποφυγή βλάβης του κιβωτίου ταχυτήτων, η αλλαγή ταχυτήτων να γίνεται μόνο στην ακινητοποίηση. Εάν ο διακόπτης αλλαγής κατεύθυνσης αριστερά / δεξιά (10) βρίσκεται στη μεσαία θέση, είναι μπλοκαρισμένος ο διακόπτης ενεργοποίησης / απενεργοποίησης (9).

Κατεύθυνση κίνησης
δεξιά κατεύθυνση
αριστερή κατεύθυνση

Θέση διακόπτη
„R“ πιεσμένο
„L“ πιεσμένο

8.3 Διακόπτης ενεργοποίησης / απενεργοποίησης (εικ. 2/αρ. 9)

Πιέστε για την ενεργοποίηση του κατσαβιδιού μπαταρίας τον διακόπτη ενεργοποίησης/απενεργοποίησης (9). Για να σταματήσετε, αφήστε πάλι ελεύθερο το διακόπτη ενεργοποίησης/απενεργοποίησης.

8.4 Φως LED (εικ. 1/αρ. 2)

Το φως LED (2) κάνει δυνατό το φωτισμό το σημείου βιδώματος σε όχι ευνοϊκές συνθήκες φωτισμού. Για τη σύνδεση πιέστε τον διακόπτη ενεργοποίησης/απενεργοποίησης (4), για την αποσύνδεση επαναπιέστε τον διακόπτη (4).

8.5 Σπρώξτε την πρόσθετη χειρολαβή (εικ. 1,2/αρ. 3)

Ο βιδωτήρας μπορεί να ασφαλιστεί σε 2 διαφορετικές ρυθμίσεις της χειρολαβής. Για το σκοπό αυτό πρέπει να πιεστεί το πλήκτρο ασφάλισης (3) και να φερθεί ο βιδωτήρας στην επιθυμούμενη θέση. Κατόπιν αφήστε πάλι ελεύθερο το πλήκτρο ασφάλισης (3).

⚠ Προσοχή!

Πριν τη θέση σε λειτουργία ελέγξτε εάν ο βιδωτήρας έχει ασφαλιστεί στην εκάστοτε σωστή θέση.

8.6 Ένδειξη δυναμικότητας του συσσωρευτή (εικ. 4/αρ. 5)

Πιέστε τον διακόπτη για την ένδειξη δυναμικότητας του συσσωρευτή (6). Η ένδειξη δυναμικότητας του συσσωρευτή (5) σας δείχνει την κατάσταση φόρτισης του συσσωρευτή με 3 χρωματιστές LED.

Είναι αναμμένες όλες οι LED:

Ο συσσωρευτής είναι πλήρως φορτισμένος.

Είναι αναμμένες ή κόκκινη και η πράσινη LED:

Ο συσσωρευτής διαθέτει αρκετή υπόλοιπη φόρτιση.

Κόκκινη LED:

Ο συσσωρευτής είναι κενός, φορτίστε το συσσωρευτή.

8.7 Αλλαγή εργαλείων (εικ. 5)**⚠ Προσοχή!**

Σε όλες τις εργασίες (π.χ. αλλαγή εργαλείου, συντήρηση κλπ.) στο κατσαβίδι μπαταρίας να βάζετε τον διακόπτη αλλαγής κατεύθυνσης αριστερά / δεξιά (10) στη μεσαία θέση.

- Τραβήξτε προς τα πίσω το δακτύλιο μανδάλωσης (14) και κρατήστε τον.
- Βάλτε το bit (a) στην ανάλογη υποδοχή (1), αφήστε ελεύθερο το καπάκι μανδαλώματος (14).
- Ελέγξτε την ασφάλιση με τράβηγμα του εργαλείου.
- Για την αφαίρεση του bit (a) τραβήξτε το καπάκι μανδαλώματος (14) προς τα πίσω και κρατήστε το.

- Αφαιρέστε το bit (a) και αφήστε ελεύθερο το καπάκι μανδαλώματος (14).

8.8 Ρύθμιση ροπής στρέψης (εικ. 1/αρ. 13)**⚠ Προσοχή!**

Η ροπή στρέψης να ρυθμίζεται μόνο στην ακινητοποιημένη συσκευή.

Το κατσαβίδι είναι εξοπλισμένο με αυτόματο σύστημα ρύθμισης της ροπής στρέψης.

Η ροπή στρέψης για ορισμένο μέγεθος βίδας ρυθμίζεται με το σύστημα ρύθμισης της ροπής στρέψης (13). Η απαιτούμενη ροή στρέψης εξαρτάται από περισσότερους παράγοντες.

- από το είδος και τη σκληρότητα του επεξεργαζόμενου υλικού.
- από το είδος και μήκος των χρησιμοποιούμενων βιδών.
- από τις απαιτήσεις για τον βιδωτό σύνδεσμο.

Η επίτευξη της επιθυμούμενης ροπής στρέψης υποδεικνύεται από το άνοιγμα της ζεύξης.

8.9 Βίδες

Να χρησιμοποιείτε καλύτερα βίδες με αυτοκεντράρισμα (π. χ. τορξ, στραυρόβιδες) που προσφέρουν ασφαλή εργασία. Να προσέχετε να συμφωνεί το χρησιμοποιούμενο bit και η βίδα ως προς το σχήμα και το μέγεθος.

8.10 Προστασία του βιδωτήρα

Σε περίπτωση υπερφόρωσης του βιδωτήρα, το σύστημα ασφαλείας απενεργοποιεί τη συσκευή. Μετά από μερικά δευτερόλεπτα μπορείτε να επαναχρησιμοποιήσετε τον βιδωτήρα.

9. Καθαρισμός, συντήρηση και παραγγελία ανταλλακτικών

⚠ Προσοχή!

Πριν από τις εργασίες συναρμολόγησης / τοποθέτησης να βγάξετε το φινι από την πρίζα

9.1 Καθαρισμός

- Να κρατάτε όσο πιο ελεύθερα από σκόνη και ακαθαρσίες γίνεται τα συστήματα προστασίας, τις σχισμές εξαερισμού και το κέλυφος του μοτέρ. Σκουπίζετε τη συσκευή με ένα καθαρό πανί, ή καθαρίστε το με πεπεισμένο αέρα σε χαμηλή πίεση.
- Συνιστούμε να καθαρίζετε τη συσκευή αμέσως μετά από κάθε χρήση.
- Να καθαρίζετε τη συσκευή τακτικά με ένα νωπό πανί και λίγο μαλακό σαπούνι. Μη χρησιμοποιείτε καθαριστικά ή διαλύτες, γιατί δεν αποκλείεται να καταστρέψουν τα πλαστικά τμήματα της συσκευής. Προσέξτε να μην περάσει νερό στο εσωτερικό της συσκευής.

9.2 Συντήρηση

Στο εσωτερικό της συσκευής δεν υπάρχουν εξαρτήματα που χρειάζονται συντήρηση.

9.3 Παραγγελία ανταλλακτικών:

Κατά την παραγγελία ανταλλακτικών να αναφέρετε τα εξής:

- τον τύπο της συσκευής
 - τον αριθμό είδους της συσκευής
 - αριθμό ταύτισης της συσκευής
- Θα βρείτε τις ισχύουσες τιμές και πληροφορίες στην ιστοσελίδα www.isc-gmbh.info

10. Διάθεση στα απορρίμματα και επαναχρησιμοποίηση

Η συσκευή βρίσκεται σε μία συσκευασία προς αποφυγή ζημιών κατά τη μεταφορά Αυτή η συσκευασία αποτελείται από πρώτες ύλες και έτσι μπορεί να επαναχρησιμοποιηθεί ή να ανακυκλωθεί. Η συσκευή και τα εξαρτήματά της αποτελούνται από διάφορα υλικά, όπως π. μέταλλο και πλαστικά υλικά. Να παραδίσετε τα ελαττωματικά εξαρτήματα σε κέντρα συλλογής ειδικών απορριμμάτων. Ενημερωθείτε στα ειδικά καταστήματα ή στην διοίκηση της κοινότητας!



Μόνο για κράτη μέλη της Ε.Ε.

Μην πετάτε τα ηλεκτρικά εργαλεία στα οικιακά απορρίμματα!

Σύμφωνα με την ευρωπαϊκή Οδηγία 2002/96/Εκ για τις μεταχειρισμένες ηλεκτρικές και ηλεκτρονικές συσκευές και την μετατροπή τους σε εθνικό δίκαιο πρέπει να συλλέγονται χωριστά οι παλιές ηλεκτρικές συσκευές και να προσάγονται σε φιλική για το περιβάλλον μεταχείριση αποβλήτων.

Εναλλακτική λύση ανακύκλωσης:

Ο ιδιοκτήτης της ηλεκτρικής συσκευής υποχρεούται εάν δεν επιστρέψει τη συσκευή να φροντίσει για σωστή απόσυρσή της όταν δεν την χρειάζεται πλέον. Η παλιά συσκευή μπορεί να παραδοθεί σε υπηρεσίες συγκέντρωσης παλιών συσκευών προ απόσυρση, όπου εκτελείται η απόσυρση σύμφωνα με τους εθνικούς νόμους ανακύκλωσης και αποβλήτων. Δεν συμπεριλαμβάνονται τα μη ηλεκτρικά εξαρτήματα και αξεσουάρ των συσκευών.

11. Δήλωση Συμμόρφωσης

Einhell Germany AG · Wiesenweg 22 · D-94405 Landau/Isar



Konformitätserklärung

- erklärt folgende Konformität gemäß EU-Richtlinie und Normen für Artikel
 explains the following conformity according to EU directives and norms for the following product
 déclare la conformité suivante selon la directive CE et les normes concernant l'article
 dichiara la seguente conformità secondo la direttiva UE e le norme per l'articolo
 verklaart de volgende overeenstemming conform EU richtlijn en normen voor het product
 declara la siguiente conformidad a tenor de la directiva y normas de la UE para el artículo
 declara a seguinte conformidade, de acordo com a directiva CE e normas para o artigo
 atterer følgende overensstemmelse i medfør af EU-direktiv samt standarder for artikel
 förklarar följande överensstämmelse enl. EU-direktiv och standarder för artikeln
 vakuuttaa, että tuote täyttää EU-direktiivin ja standardien vaatimukset
 tõendab toote vastavust EL direktiivile ja standarditele
 vydává následující prohlášení o shodě podle směrnice EU a norem pro výrobek
 potrjuje sledeću skladnost s smernico EU in standardi za izdelek
 vydáva nasledujúce prehlásenie o zhode podľa smernice EÚ a noriem pre výrobok
 a cikkekhez az EU-irányvonal és Normák szerint a következő konformitást jelenti ki
 deklaruje zgodność wymienionego poniżej artykułu z następującymi normami na podstawie dyrektywy WE.
 декларира съответното съответствие съгласно Директива на ЕС и норми за артикул
 paskaidro šādu atbilstību ES direktīvai un standartiem
 aribūdina šj atitikimą EU reikalavimams ir prekės normoms
 declară următoarea conformitate conform directivei UE și normelor pentru articolul
 δηλώνει την ακόλουθη συμμόρφωση σύμφωνα με την Οδηγία ΕΚ και τα πρότυπα για το προϊόν
 potvrđuje sljedeću usklađenost prema smjernicama EU i normama za artikl
 Izjava o sukladnosti za ovaj proizvod dostupna je na internet stranici www.lidl.hr.
 potvrđuje sljedeću usklađenost prema smjernicama EU i normama za artikl
 potvrđuje sledeću usklađenost prema smernicama EZ i normama za artikal
 следующим удостоверяется, что следующие продукты соответствуют директивам и нормам ЕС
 проголошує про зазначену нижче відповідність виробу директивам та стандартам ЄС на виріб
 Ürünü ile ilgili AB direktifleri ve normları gereğince aşağıda açıklanan uygunluğu belirtir
 erklærer følgende samsvar i henhold til EU-direktivet og standarder for artikkel
 Lýsir uppfyllingu EU-reglna og annarra staða vöru

Akkuschrauber PASS 3,6 A1 / Ladegerät LG PASS 3,6 A1 (Parkside)

- | | |
|---|--|
| <input type="checkbox"/> 87/404/EC_2009/105/EC | <input checked="" type="checkbox"/> 2006/42/EC |
| <input type="checkbox"/> 2005/32/EC_2009/125/EC | <input type="checkbox"/> Annex IV
Notified Body:
Notified Body No.:
Reg. No.: |
| <input type="checkbox"/> 2006/95/EC | |
| <input type="checkbox"/> 2006/28/EC | |
| <input checked="" type="checkbox"/> 2004/108/EC | <input type="checkbox"/> 2000/14/EC_2005/88/EC |
| <input type="checkbox"/> 2004/22/EC | <input type="checkbox"/> Annex V |
| <input type="checkbox"/> 1999/5/EC | <input type="checkbox"/> Annex VI
Noise: measured L_{WA} = dB (A); guaranteed L_{WA} = dB (A)
P = KW; L/Ø = cm
Notified Body: |
| <input type="checkbox"/> 97/23/EC | |
| <input type="checkbox"/> 90/396/EC_2009/142/EC | |
| <input type="checkbox"/> 89/686/EC_96/58/EC | <input type="checkbox"/> 2004/26/EC
Emission No.: |
| <input checked="" type="checkbox"/> 2011/65/EC | |

Standard references: EN 60745-1; EN 60745-2-2; EN 55014-1;
EN 55014-2; EN 60335-1; EN 60335-2-29; EN 61000-3-2; EN 61000-3-3

Landau/Isar, den 22.09.2011

Weichselgartner/General Manager

Unger/Product-Management

First CE: 08
Art.-No.: 45.134.27 I.-No.: 11021
Subject to change without notice

Archive-File/Record: NAPR004730
Documents registrar: Georg Riedel
Wiesenweg 22, D-94405 Landau/Isar

12. ΕΓΓΥΗΣΗ

Αξιότιμη πελάτισσα, αξιότιμε πελάτη,

Τα προϊόντα μας υπόκεινται σε αυστηρούς ελέγχους ποιότητας. Εάν παρ'όλα αυτά κάποτε δεν λειτουργήσουν άψογα, λυπούμαστε πολύ και σας παρακαλούμε να αποτανθείτε προς το τμήμαμας Εξυπηρέτησης Πελατών, στη διεύθυνση που αναφέρετε σε αυτή την εγγύηση. Ευχαρίστως σας βοηθήσουμε και τηλεφωνικώς στον αριθμό που αναφέρετε πιο κάτω. Για την κατίσχυση των αξιώσεων εγγύησης ισχύουν τα εξής:

1. Αυτοί οι όροι εγγύησης ρυθμίζουν πρόσθετες παροχές εγγύησης. Από την εγγύηση αυτή δεν τίγονται οι νόμιμες αξιώσεις σας για εγγύηση. Η παροχή της εγγύησής μας είναι για σας δωρεάν.
 2. Η εγγύηση καλύπτει αποκλειστικά και μόνο βλάβες που οφείλονται σε ελαττώματα υλικών ή παραγωγής και περιορίζονται στην αποκατάσταση αυτών των ελαττωμάτων ή την αντικατάσταση της συσκευής. Παρακαλούμε να προσέξετε πως οι συσκευές μας δεν προορίζονται για τη βιομηχανία, τη βιοτεχνία και την επαγγελματική χρήση. Για το λόγο αυτό δεν υφίσταται σύμβαση εγγύησης σε περίπτωση χρήσης της συσκευής στη βιομηχανία, βιοτεχνία, για επαγγελματικό ή άλλο παρόμοιο σκοπό. Από την εγγύησή μας αποκλείονται πέραν τούτου αποζημιώσεις για βλάβες μεταφοράς, βλάβες οφειλόμενες σε μη τήρηση της Οδηγίας συναρμολόγησης, ή σε εσφαλμένη εγκατάσταση, μη τήρηση της Οδηγίας χρήσης (π.χ. σύνδεση σε λάθος τάση δικτύου ή είδος ρεύματος), καταχρηστική ή όχι ορθή χρήση (π.χ. υπερφόρτωση ή χρήση μη εγκεκριμένων ανταλλακτικών εργαλείων ή εξαρτημάτων), μη τήρηση των Υποδείξεων συντήρησης και ασφαλείας, είσοδος ξένων αντικειμένων στη συσκευή (όπως π.χ. άμμος ή σκόνη), χρήση βίας ή εξωτερική επίδραση (όπως π.χ. βλάβες από πτώση) καθώς και βλάβες που οφείλονται σε κοινή φθορά.
- Η αξίωση εγγύησης εκπίπτει σε περίπτωση που έγιναν ήδη ξένες επεμβάσεις στη συσκευή.
3. Η διάρκεια της εγγύησης ανέρχεται σε 3 έτη και αρχίζει από την ημερομηνία αγοράς της συσκευής. Οι αξιώσεις εγγύησης πρέπει να κατισχυθούν πριν την πάροδο της προθεσμίας της εγγύησης εντός δύο εβδομάδων από την διαπίστωση του ελαττώματος. Αποκλείεται η κατίσχυση αξιώσεων εγγύησης μετά την πάροδο της προθεσμίας της εγγύησης. Η επισκευή ή η αντικατάσταση της συσκευής δεν συνεπάγεται ούτε την επέκταση της διάρκειας της εγγύησης ούτε την έναρξη νέας προθεσμίας εγγύησης για τη συσκευή ή τα ενδεχομένως τοποθετηθέντα εξαρτήματα. Το ίδιο ισχύει και σε περίπτωση σέρβις επί τόπου.
 4. Για την κατίσχυση της αξίωσης της εγγύησης σας παρακαλούμε να μας αποστείλετε τη συσκευή, χωρίς επιβάρυνσή μας με ταχυδρομικά τέλη, στην πιο κάτω αναφερόμενη διεύθυνση. Μη ξεχάσετε να επισυνάψετε το πρωτότυπο της απόδειξης αγοράς ή άλλο ισχύον αποδεικτικό αγοράς. Για το λόγο αυτό σας παρακαλούμε να φυλάξετε καλά την απόδειξη του ταμείου! Παρακαλούμε επίσης να μας περιγράψετε την αιτία για την διαμαρτυρία σας όσο πιο αναλυτικά γίνεται. Εάν το ελάττωμα της συσκευής σας καλύπτεται από την εγγύησή μας, είτε θα σας επιστραφεί ταχύτατα η επισκευασμένη συσκευή σας, είτε θα λάβετε μία νέα συσκευή.

Φυσικά επισκευάζουμε ευχαρίστως έναντι αμοιβής και ελαττώματα στη συσκευή σας που δεν καλύπτονται ή δεν καλύπτονται πλέον από την εγγύηση. Για το σκοπό αυτό σας παρακαλούμε να αποστείλετε τη συσκευή σας στη διεύθυνση του τμήματος μας για Εξυπηρέτηση Πελατών.

EINHELL Hellas A. E.

Lasithiou Str. 4

14342 Nea Philadelphia

Tel. 0210 2776871 · Fax 0210 2776871

Inhaltsverzeichnis	Seite
1. Einleitung	75
2. Sicherheitshinweise	75-79
3. Gerätebeschreibung	80
4. Lieferumfang	80
5. Bestimmungsgemäße Verwendung	80
6. Technische Daten	80-81
7. Vor Inbetriebnahme	81
8. Bedienung	81-83
9. Reinigung, Wartung und Ersatzteilbestellung	83
10. Entsorgung und Wiederverwertung	83-84
11. Konformitätserklärung	85
12. Garantieurkunde	86

Der Nachdruck oder sonstige Vervielfältigung von Dokumentation und Begleitpapieren der Produkte, auch auszugsweise ist nur mit ausdrücklicher Zustimmung der ISC GmbH zulässig.

Technische Änderungen vorbehalten

DE/AT/
CH



“WARNUNG - Zur Verringerung des Verletzungsrisikos Bedienungsanleitung lesen”

1. Einleitung

⚠ Achtung!

Beim Benutzen von Geräten müssen einige Sicherheitsvorkehrungen eingehalten werden, um Verletzungen und Schäden zu verhindern. Lesen Sie diese Bedienungsanleitung / Sicherheitshinweise deshalb sorgfältig durch. Bewahren Sie diese gut auf, damit Ihnen die Informationen jederzeit zur Verfügung stehen. Falls Sie das Gerät an andere Personen übergeben sollten, händigen Sie diese Bedienungsanleitung / Sicherheitshinweise bitte mit aus. Wir übernehmen keine Haftung für Unfälle oder Schäden, die durch Nichtbeachten dieser Anleitung und den Sicherheitshinweisen entstehen.

2. Sicherheitshinweise

Allgemeine Sicherheitshinweise für Elektrowerkzeuge

⚠ WARNUNG

Lesen Sie alle Sicherheitshinweise und Anweisungen. Versäumnisse bei der Einhaltung der Sicherheitshinweise und Anweisungen können elektrischen Schlag, Brand und/oder schwere Verletzungen zur Folge haben.

Bewahren Sie alle Sicherheitshinweise und Anweisungen für die Zukunft auf.

Der in den Sicherheitshinweisen verwendete Begriff „Elektrowerkzeug“ bezieht sich auf netzbetriebene Elektrowerkzeuge (mit Netzkabel) und auf akkubetriebene Elektrowerkzeuge (ohne Netzkabel).

1. Arbeitsplatzsicherheit

- **Halten Sie Ihren Arbeitsbereich sauber und gut beleuchtet.** Unordnung oder unbeleuchtete Arbeitsbereiche können zu Unfällen führen.
- **Arbeiten Sie mit dem Elektrowerkzeug nicht in explosionsgefährdeter Umgebung, in der sich brennbare Flüssigkeiten, Gase oder Stäube**

befinden.

Elektrowerkzeuge erzeugen Funken, die den Staub oder die Dämpfe entzünden können.

- **Halten Sie Kinder und andere Personen während der Benutzung des Elektrowerkzeuges fern.**

Bei Ablenkung können Sie die Kontrolle über das Gerät verlieren.

2. Elektrische Sicherheit

- **Der Anschlussstecker des Elektrowerkzeuges muss in die Steckdose passen. Der Stecker darf in keiner Weise verändert werden.**

Verwenden Sie keine Adapterstecker gemeinsam mit schutzgeerdeten Elektrowerkzeugen.

Unveränderte Stecker und passende Steckdosen verringern das Risiko eines elektrischen Schlages.

- **Vermeiden Sie Körperkontakt mit geerdeten Oberflächen, wie von Rohren, Heizungen, Herden und Kühlschränken.**

Es besteht ein erhöhtes Risiko durch elektrischen Schlag, wenn Ihr Körper geerdet ist.

- **Halten Sie Elektrowerkzeuge von Regen oder Nässe fern.**

Das Eindringen von Wasser in ein Elektrogerät erhöht das Risiko eines elektrischen Schlages.

- **Zweckentfremden Sie das Kabel nicht, um das Elektrowerkzeug zu tragen, aufzuhängen oder um den Stecker aus der Steckdose zu ziehen. Halten Sie das Kabel fern von Hitze, Öl, scharfen Kanten oder sich bewegenden Geräteteilen.**

Beschädigte oder verwickelte Kabel erhöhen das Risiko eines elektrischen Schlages.

- **Wenn Sie mit einem Elektrowerkzeug im Freien arbeiten, verwenden Sie nur Verlängerungskabel, die auch für den Außenbereich geeignet sind.**

Die Anwendung eines für den Außenbereich geeigneten Verlängerungskabels verringert das Risiko eines elektrischen Schlages.

DE/AT/
CH

- **Wenn der Betrieb des Elektrowerkzeuges in feuchter Umgebung nicht vermeidbar ist, verwenden Sie einen Fehlerstromschutzschalter.**

Der Einsatz eines Fehlerstromschutzschalters vermindert das Risiko eines elektrischen Schlages.

3. Sicherheit von Personen

- **Seien Sie aufmerksam, achten Sie darauf, was Sie tun, und gehen Sie mit Vernunft an die Arbeit mit einem Elektrowerkzeug. Benutzen Sie kein Elektrowerkzeug, wenn Sie müde sind oder unter Einfluss von Drogen, Alkohol oder Medikamenten stehen.**

Ein Moment der Unachtsamkeit beim Gebrauch des Elektrowerkzeuges kann zu ernsthaften Verletzungen führen.

- **Tragen Sie persönliche Schutzausrüstung und immer eine Schutzbrille.**

Das Tragen persönlicher Schutzausrüstung, wie Staubmaske, rutschfeste Sicherheitsschuhe, Schutzhelm oder Gehörschutz, je nach Art und Einsatz des Elektrowerkzeuges, verringert das Risiko von Verletzungen.

- **Vermeiden Sie eine unbeabsichtigte Inbetriebnahme. Vergewissern Sie sich, dass das Elektrowerkzeug ausgeschaltet ist, bevor Sie es an die Stromversorgung und/oder den Akku anschließen, es aufnehmen oder tragen.**

Wenn Sie beim Tragen des Elektrowerkzeuges den Finger am Schalter haben oder das Gerät eingeschaltet an die Stromversorgung anschließen, kann dies zu Unfällen führen.

- **Entfernen Sie Einstellwerkzeuge oder Schraubenschlüssel, bevor Sie das Elektrowerkzeug einschalten.**

Ein Werkzeug oder Schlüssel, der sich in einem drehenden Geräteteil befindet, kann zu Verletzungen führen.

- **Vermeiden Sie eine abnormale Körperhaltung. Sorgen Sie für einen sicheren Stand und halten Sie jederzeit das Gleichgewicht.**

Dadurch können Sie das Elektrowerkzeug in unerwarteten Situationen besser

kontrollieren.

- **Tragen Sie geeignete Kleidung. Tragen Sie keine weite Kleidung oder Schmuck. Halten Sie Haare, Kleidung und Handschuhe fern von sich bewegenden Teilen.**

Lockere Kleidung, Schmuck oder lange Haare können von sich bewegenden Teilen erfasst werden.

- **Wenn Staubabsaugeinrichtungen und Staubauffangeinrichtungen montiert werden können, vergewissern Sie sich, dass diese angeschlossen sind und richtig verwendet werden.**

Verwendung einer Staubabsaugung kann Gefährdungen durch Staub verringern.

4. Verwendung und Behandlung des Elektrowerkzeuges

- **Überlasten Sie das Gerät nicht.**

Verwenden Sie für Ihre Arbeit das dafür bestimmte Elektrowerkzeug.

Mit dem passenden Elektrowerkzeug arbeiten Sie besser und sicherer im angegebenen Leistungsbereich.

- **Benutzen Sie kein Elektrowerkzeug, dessen Schalter defekt ist.**

Ein Elektrowerkzeug, das sich nicht mehr ein- oder ausschalten lässt, ist gefährlich und muss repariert werden.

- **Ziehen Sie den Stecker aus der Steckdose und/oder entfernen Sie den Akku, bevor Sie Geräteeinstellungen vornehmen, Zubehörteile wechseln oder das Gerät weglegen.**

Diese Vorsichtsmaßnahme verhindert den unabsichtlichen Start des Elektrowerkzeuges.

- **Bewahren Sie unbenutzte Elektrowerkzeuge außerhalb der Reichweite von Kindern auf. Lassen Sie Personen das Gerät nicht benutzen, die mit diesem Gerät nicht vertraut sind oder diese Anweisungen nicht gelesen haben.**

Elektrowerkzeuge sind gefährlich, wenn sie von unerfahrenen Personen benutzt werden.

- **Pflegen Sie Elektrowerkzeuge mit Sorgfalt. Kontrollieren Sie, ob bewegliche Teile einwandfrei funktionieren und nicht klemmen, ob**

Teile gebrochen oder so beschädigt sind, dass die Funktion des Elektrowerkzeuges beeinträchtigt ist. Lassen Sie beschädigte Teile vor dem Einsatz des Gerätes reparieren.

Viele Unfälle haben ihre Ursache in schlecht gewarteten Elektrowerkzeugen.

- **Halten Sie Ihre Schneidwerkzeuge scharf und sauber.**
Sorgfältig gepflegte Schneidwerkzeuge mit scharfen Schneidkanten verklemmen sich weniger und sind leichter zu führen.
- **Verwenden Sie Elektrowerkzeug, Zubehör, Einsatzwerkzeuge usw. entsprechend diesen Anweisungen. Berücksichtigen Sie dabei die Arbeitsbedingungen und die auszuführende Tätigkeit.**
Der Gebrauch von Elektrowerkzeugen für andere als die vorgesehenen Anwendungen kann zu gefährlichen Situationen führen.

5. Verwendung und Behandlung des Akkuwerkzeugs

- **Laden Sie die Akkus nur in Ladegeräten auf, die vom Hersteller empfohlen werden.** Für ein Ladegerät, das für eine bestimmte Art von Akkus geeignet ist, besteht Brandgefahr, wenn es mit anderen Akkus verwendet wird.
- **Verwenden Sie nur die dafür vorgesehenen Akkus in den Elektrowerkzeugen.** Der Gebrauch von anderen Akkus kann zu Verletzungen und Brandgefahr führen.
- **Halten Sie den nicht benutzten Akku fern von Büroklammern, Münzen, Schlüsseln, Nägeln, Schrauben oder anderen kleinen Metallgegenständen, die eine Überbrückung der Kontakte verursachen könnten.** Ein Kurzschluss zwischen den Akkukontakten kann Verbrennungen oder Feuer zur Folge haben.
- **Bei falscher Anwendung kann Flüssigkeit aus dem Akku austreten. Vermeiden Sie den Kontakt damit. Bei zufälligem Kontakt mit Wasser**

abspülen. Wenn die Flüssigkeit in die Augen kommt, nehmen Sie zusätzlich ärztliche Hilfe in Anspruch. Austretende Akkuflüssigkeit kann zu Hautreizungen oder Verbrennungen führen.

6. Service

- **Lassen Sie Ihr Elektrowerkzeug nur von qualifiziertem Fachpersonal und nur mit Original-Ersatzteilen reparieren.**
Damit wird sichergestellt, dass die Sicherheit des Elektrowerkzeuges erhalten bleibt.

Halten Sie das Gerät an den isolierten Griffflächen, wenn Sie Arbeiten ausführen, bei denen die Schraube oder das Einsatzwerkzeug verborgene Stromleitungen treffen kann. Der Kontakt mit einer spannungsführenden Leitung kann auch metallene Geräteteile unter Spannung setzen und zu einem elektrischen Schlag führen.

Spezielle Sicherheitshinweise für Lithium-Ionen Aukkuschauber

Wir legen größte Sorgfalt in den Aufbau jedes Akkupacks, um Akkus mit maximaler Energiedichte, Langlebigkeit und Sicherheit an Sie weitergeben zu können. Die Akkuzellen verfügen über mehrstufige Sicherheitsvorrichtungen. Jede einzelne Zelle wird zunächst formatiert und ihre elektrischen Kennlinien werden aufgenommen. Diese Daten werden anschließend genutzt, um die bestmöglichen Akkupacks gruppieren zu können. **Trotz aller Sicherheitsvorkehrungen ist beim Umgang mit Akkus stets Umsicht erforderlich. Für den sicheren Betrieb sind folgende Punkte zwingend zu beachten. Der sichere Betrieb ist nur mit ungeschädigten Zellen gewährleistet! Eine falsche Handhabung führt zu Zellenschäden**

Achtung! Analysen bestätigen, dass grobe Falschnutzung und falsche Pflege Hauptursache für Schäden durch Hochleistungsakkus sind.

DE/AT/
CH**Hinweise zum Akku**

- Der Akku-Pack des Akkugerätes ist im Lieferzustand nicht geladen. Vor der ersten Inbetriebnahme muss deshalb der Akku aufgeladen werden.
- Für eine optimale Akkuleistung vermeiden Sie tiefe Entladungszyklen! Laden Sie Ihren Akku häufig.
- Lagern Sie Ihren Akku kühl, am besten bei 15°C, und zumindest 40% geladen.
- Lithium-Ionen Akkus unterliegen einer natürlichen Alterung. Spätestens wenn die Leistungsfähigkeit des Akkus nur mehr 80% des Neuzustandes entspricht, muss der Akku ersetzt werden! Geschwächte Zellen in einem gealterten Akku-Pack sind den hohen Leistungsanforderungen nicht mehr gewachsen und stellen so ein Sicherheitsrisiko dar.
- Verbrauchte Akkus nicht ins offene Feuer werfen. Explosionsgefahr!
- Akku nicht anzünden oder Verbrennung aussetzen.
- **Akkus nicht Tiefenentladen!**
Tiefenentladung schädigt die Akkuzellen. Die häufigste Ursache für die Tiefenentladung von Akkupacks ist lange Lagerung bzw. Nichtnutzung teilentladener Akkus. Beenden Sie den Arbeitsvorgang sobald die Leistung merklich nachlässt oder die Schutzelektronik anspricht. Lagern Sie den Akku erst nach vollständiger Aufladung.
- **Akkus bzw. Gerät vor Überlastung schützen!**
Überlastung führt rasch zur Überhitzung und Zellschädigung im Innern des Akkugehäuses, ohne dass die Überhitzung äußerlich zu Tage tritt.
- **Vermeiden Sie Beschädigungen und Stöße!**
Ersetzen Sie Akkus, die Ihnen aus über einem Meter heruntergefallen sind oder die heftigen Stößen ausgesetzt waren unverzüglich, auch wenn das Gehäuse des Akkupacks unbeschädigt erscheint. Die Akkuzellen im Inneren können ernsthaft beschädigt sein. Beachten Sie hierzu auch die Entsorgungshinweise.
- Bei Überlastung und Überhitzung schaltet die integrierte Schutzabschaltung das Gerät

aus Sicherheitsgründen ab. **Achtung!**

Betätigen Sie den Ein-/ Ausschalter nicht mehr, wenn die Schutzabschaltung das Gerät abgeschaltet hat. Dies kann zu Schäden am Akku führen.

- Verwenden Sie nur original Akkus. Der Einsatz von anderen Akkus kann zu Verletzungen; Exposition und Brandgefahr führen.

Hinweise zum Ladegerät und Ladevorgang

- Verwenden Sie das mitgelieferte Ladegerät nicht zum Laden von nicht wieder aufladbaren Batterien.
- Beachten Sie die angegebenen Daten auf dem Typenschild des Ladegeräts. Schließen Sie das Ladegerät nur an die auf dem Typenschild angegebene Netzspannung an.
- Schützen Sie das Ladegerät und die Leitung vor Beschädigung und scharfen Kanten. Beschädigte Kabel sind unverzüglich durch einen Elektrofachmann auszutauschen.
- Das Ladegerät ist nicht dafür bestimmt, durch Personen (einschließlich Kindern) mit eingeschränkten physischen, sensorischen oder geistigen Fähigkeiten oder mangels Erfahrung und/oder mangels Wissen benützt zu werden, es sei denn, sie werden durch eine für ihre Sicherheit zuständige Person beaufsichtigt oder erhalten von ihr Anweisung, wie das Gerät zu benützen ist.
- Kinder sollten beaufsichtigt werden, um sicherzustellen, dass sie nicht am Gerät spielen.
- Keine beschädigten Ladegeräte verwenden.
- Verwenden Sie das mitgelieferte Ladegerät nicht zum Laden von anderen Akkugeräten.
- Bei starker Beanspruchung erwärmt sich der Akku-Pack. Lassen Sie den Akku-Pack vor Beginn des Ladevorgangs auf Raumtemperatur abkühlen.
- **Akkus nicht Überladen!**
Beachten Sie die maximalen Ladezeiten. Diese Ladezeiten gelten nur für entladene Akkus. Mehrfaches Einstecken eines geladenen oder teilgeladenen Akkus führt zum Überladen und zur Zellschädigung.

Akkus nicht mehrere Tage im Ladegerät stecken lassen.

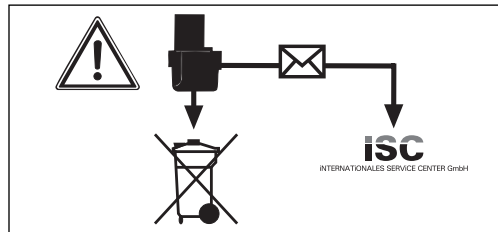
- **Benutzen und Laden Sie nie Akkus, von denen Sie vermuten, dass die letzte Aufladung des Akkus länger als 12 Monate zurück liegt.** Die Wahrscheinlichkeit ist hoch, dass der Akku bereits gefährlich geschädigt ist (Tiefenentladung).
- Laden bei einer Temperatur von unter 10°C führt zur chemischen Schädigung der Zelle und kann zu Brand führen.
- Verwenden Sie keine Akkus, die sich während des Ladens erwärmt haben, da die Akkuzellen gefährlich geschädigt sein könnten.
- Verwenden Sie keine Akkus mehr, die sich während des Ladens aufgewölbt oder verformt haben, oder welche ungewöhnliche Symptome zeigten (Ausgasen, Zischen, Knacken, ...)
- Entladen Sie den Akku nicht vollständig (empfohlene Endladetiefe max. 80%). Vollentladung führt zur vorzeitigen Alterung der Akkuzellen.
- Batterien niemals unbeaufsichtigt laden!

Schutz vor Umwelteinflüssen

- Tragen Sie geeignete Arbeitskleidung. Schutzbrille tragen.
- **Schützen Sie Ihr Akkugerät und das Ladegerät vor Feuchtigkeit und Regen.** Feuchtigkeit und Regen können zu gefährlichen Zellschädigungen führen.
- Das Akkugerät und das Ladegerät nicht im Bereich von Dämpfen und brennbaren Flüssigkeiten verwenden.
- Ladegerät und Akkugeräte nur im trockenem Zustand und einer Umgebungstemperatur von 10-40°C verwenden.
- Bewahren Sie den Akku nicht an Orten auf, die eine Temperatur von über 40° C erreichen können, insb. nicht in einem in der Sonne geparkten Kfz.
- **Akkus vor Überhitzung schützen!** Überlastung, Überladung oder Sonneneinstrahlung führt zur Überhitzung und zur Zellschädigung. Laden oder arbeiten sie keinesfalls mit Akkus, welche

überhitzt wurden – ersetzen sie diese unverzüglich.

- **Lagerung von Akkus, Ladegeräten und Akkugerät.** Lagern Sie das Ladegerät und Ihr Akkugerät nur in trockenen Räumen mit einer Umgebungstemperatur von 10-40°C. Den Lithium-Ionen Akku lagern Sie kühl und trocken bei 10-20°C. Vor Luftfeuchtigkeit und direkter Sonneneinstrahlung schützen! Akkus nur in geladenem Zustand lagern (mind. 40% geladen).
- Verhindern Sie, dass der Lithium-Ionen Akku gefriert. Akkus, welche länger als 60 Minuten unter 0°C gelagert wurden, sind zu entsorgen.
- Vorsicht beim Umgang mit Akkus in Bezug auf elektrostatische Ladung: elektrostatische Entladungen führen zu Schäden an der Schutzelektronik und den Akku-Zellen! Vermeiden Sie daher elektrostatische Aufladung und berühren Sie niemals die Akku-Pole!



Akkumulatoren und akkugetriebene Elektrogeräte beinhalten umweltgefährdende Materialien. Akku- Geräte nicht in den Hausmüll geben. Nach dem Defekt oder Verschleiß der Geräte den Akku herausnehmen und an die iSC GmbH, Eschenstraße 6 in D-94405 Landau einsenden, oder, falls untrennbar verbunden, das Akku-Gerät einsenden. Nur dort wird vom Hersteller eine fachgerechte Entsorgung gewährleistet.

Beachten Sie beim Versand oder Entsorgung von Akkus bzw. Akkugerät, dass diese einzeln in Kunststoffbeutel verpackt werden um Kurzschlüsse oder Brand zu vermeiden!

Bewahren Sie die Sicherheitshinweise gut auf.

DE/AT/
CH

3. Gerätebeschreibung (Bild 1)

1. Bit-Aufnahme
2. LED-Licht
3. Entriegelungstaste
4. Ein-/ Aus-Schalter Lampe
5. Akku-Kapazitätsanzeige
6. Taster Akku-Kapazitätsanzeige
7. Ladekontrolllampe
8. Ladeanschluss
9. Ein-/ Aus-Schalter
10. Umschalter Links/Rechtlauf
11. Ladegerät
12. Ladekabel
13. Drehmomenteinstellung
14. Verriegelungshülse

4. Lieferumfang

Nehmen Sie alle Teile aus der Verpackung und überprüfen Sie diese auf Vollständigkeit.

- Akkuschauber PASS 3.6 A1
- Ladegerät
- 26 Bits
- Bithalter
- Koffer
- Bedienungsanleitung

5. Bestimmungsgemäße Verwendung

Der Akkuschauber ist geeignet zum Eindrehen und Lösen von Schrauben.

Die Maschine darf nur nach ihrer Bestimmung verwendet werden. Jede weitere darüber hinausgehende Verwendung ist nicht bestimmungsgemäß. Für daraus hervorgerufene Schäden oder Verletzungen aller Art haftet der Benutzer/Bediener und nicht der Hersteller.

Bitte beachten Sie, dass unsere Geräte bestimmungsgemäß nicht für den gewerblichen, handwerklichen oder industriellen Einsatz konstruiert wurden. Wir übernehmen keine Gewährleistung, wenn das Gerät in Gewerbe-,

Handwerks- oder Industriebetrieben sowie bei gleichzusetzenden Tätigkeiten eingesetzt wird.

6. Technische Daten

Spannungsversorgung Motor:	3,6 V d.c.
Leerlauf-Drehzahl:	200 min ⁻¹
Rechts- Links-Lauf:	ja
Ausgangsspannung Ladegerät:	6,8 V d.c.
Ausgangsstrom Ladegerät:	550 mA
Netzspannung Ladegerät:	230V~ 50 Hz
Ladezeit:	3 Std.
Akkutyp:	Li-Ion/1,5 Ah
Gewicht:	0,4 kg
LED Klasse	1

Geräusch und Vibration

Die Geräusch- und Vibrationswerte wurden entsprechend EN 60745 ermittelt.

Schalldruckpegel L _{pA}	62 dB(A)
Unsicherheit K _{pA}	3 dB
Schalleistungspegel L _{WA}	73 dB(A)
Unsicherheit K _{WA}	3 dB

Tragen Sie einen Gehörschutz.

Die Einwirkung von Lärm kann Gehörverlust bewirken.

Schwingungsgesamtwerte (Vektorsumme dreier Richtungen) ermittelt entsprechend EN 60745.

Schrauben ohne Schlag

Schwingungsemissionswert $a_n \leq 2,5 \text{ m/s}^2$
Unsicherheit K = 1,5 m/s²

Warnung!

Der angegebene Schwingungsemissionswert ist nach einem genormten Prüfverfahren gemessen worden und kann sich, abhängig von der Art und Weise, in der das Elektrowerkzeug verwendet wird, ändern und in Ausnahmefällen über dem angegebenen Wert liegen.

Der angegebene Schwingungsemissionswert kann zum Vergleich eines Elektrowerkzeuges mit einem anderen verwendet werden.

Der angegebene Schwingungsemissionswert kann auch zu einer einleitenden Einschätzung der Beeinträchtigung verwendet werden.

Beschränken Sie die Geräusentwicklung und Vibration auf ein Minimum!

- Verwenden Sie nur einwandfreie Geräte.
- Warten und reinigen Sie das Gerät regelmäßig.
- Passen Sie Ihre Arbeitsweise dem Gerät an.
- Überlasten Sie das Gerät nicht.
- Lassen Sie das Gerät gegebenenfalls überprüfen.
- Schalten Sie das Gerät aus, wenn es nicht benutzt wird.
- Tragen Sie Handschuhe.

7. Vor Inbetriebnahme**⚠ Achtung!**

Lesen Sie vor der Inbetriebnahme Ihres Akkuschaubers unbedingt diese Hinweise:

1. Laden Sie den Akku nur mit dem mitgelieferten Ladegerät (11).
2. Nur einwandfreie und geeignete Schrauberrbits verwenden.
3. Beim Schrauben in Wänden und Mauern diese auf verborgene Strom-, Gas- und Wasserleitung überprüfen.

8. Bedienung**8.1 Laden des Akkus (Abb. 1)**

Der Akku ist gegen Tiefentladung geschützt. Eine integrierte Schutzschaltung schaltet das Gerät automatisch aus, wenn der Akku entladen ist. Die Bit-Aufnahme (1) dreht sich in diesem Fall nicht mehr.

⚠ Achtung!

Betätigen Sie den Ein-/Ausschalter (9) nicht mehr, wenn die Schutzschaltung das Gerät abgeschaltet hat. Dies kann zu Schäden am Akku führen.

1. Vergleichen Sie, ob die auf dem Typenschild angegebene Netzspannung mit der vorhandenen Netzspannung übereinstimmt. Stecken Sie das Ladegerät (11) in die Steckdose und verbinden Sie das Ladekabel (12) mit dem Ladeanschluss (8). Der Ladevorgang beginnt sobald das Ladekabel mit dem Ladeanschluss verbunden ist.
2. Die Ladekontrolllampe (7) signalisiert, dass der Akku geladen wird.
3. Nach erfolgter Ladung erlischt die Ladekontrolllampe (7).

⚠ Achtung!

Während des Ladevorgangs kann sich der Handgriff etwas erwärmen, dies ist jedoch normal.

Sollte das Laden des Akkus nicht möglich sein, überprüfen Sie bitte

- ob an der Steckdose die Netzspannung vorhanden ist
- ob ein einwandfreier Kontakt an den Ladekontakten des Ladegerätes (11) vorhanden ist.

Sollte das Laden des Akkus immer noch nicht möglich sein, bitten wir Sie,

- das Ladegerät (11)
- und den Schrauber

an unseren Kundendienst zu senden.

DE/AT/
CH

Im Interesse einer langen Lebensdauer des Akkus sollten Sie für eine rechtzeitige Wiederaufladung des Akkus sorgen. Dies ist auf jeden Fall notwendig, wenn Sie feststellen, dass die Leistung des Akkuschraubers nachlässt.

8.2 Umschalter Links/Rechtslauf (Bild 2/Pos. 10)

Mit dem Umschalter Links/Rechtslauf (10) über dem Ein-/ Aus-Schalter (9) können Sie die Drehrichtung des Akku-Schraubers einstellen und den Akku-Schrauber gegen ungewolltes Einschalten sichern. Sie können zwischen Links- und Rechtslauf wählen.

⚠ Achtung!

Um eine Beschädigung des Getriebes zu vermeiden, soll die Drehrichtung nur im Stillstand umgeschaltet werden. Befindet sich der Umschalter Links/Rechtslauf (10) in der Mittelstellung, ist der Ein-/ Aus-Schalter (9) blockiert.

Laufrichtung

Rechtslauf
Linkslauf

Schalterposition

“R” eingedrückt
“L” eingedrückt

8.3 Ein/Aus-Schalter (Bild 2/Pos. 9)

Drücken Sie zum Einschalten des Akkuschraubers den Ein-/ Aus-Schalter (9). Zum stoppen lassen Sie den Ein-/ Aus-Schalter wieder los.

8.4 LED-Licht (Bild 1/Pos. 2)

Das LED-Licht (2) ermöglicht das Ausleuchten der Schraubstelle bei ungünstigen Lichtverhältnissen. Zum Einschalten drücken Sie den Ein-/ Aus-Schalter (4), zum Ausschalten drücken Sie den Ein-/ Aus-Schalter (4) erneut.

8.5 GriffEinstellung (Bild 1,2/Pos. 3)

Der Schrauber kann in 2 verschiedenen GriffEinstellungen arretiert werden. Hierzu muss die Verriegelungstaste (3) gedrückt und der Schrauber in die gewünschte Stellung gedreht werden. Danach die Verriegelungstaste (3) wieder loslassen.

⚠ Achtung!

Vor Inbetriebnahme prüfen, ob der Schrauber in der jeweiligen Grifflage arretiert ist.

8.6 Akku-Kapazitätsanzeige (Bild 4/ Pos. 5)

Drücken Sie auf den Taster für Akku-Kapazitätsanzeige (6). Die Akku-Kapazitätsanzeige (5) signalisiert Ihnen den Ladezustand des Akkus anhand von 3 farbigen LED`s.

Alle LED`s leuchten:

Der Akku ist voll aufgeladen.

Gelbe und rote LED leuchten:

Der Akku verfügt über ausreichende Restladung.

Rote LED:

Der Akku ist leer, laden Sie den Akku auf.

8.7 Werkzeugwechsel (Bild 5)

⚠ Achtung!

Stellen Sie bei allen Arbeiten (z.B. Werkzeugwechsel; Wartung; usw.) am Akkuschrauber den Umschalter Links/Rechtslauf (10) in Mittelstellung.

- Verriegelungshülse (14) zurückziehen und festhalten.
- Bit (a) in die Bit-Aufnahme (1) stecken, Verriegelungshülse (14) loslassen.
- Verriegelung durch Ziehen am Werkzeug prüfen.
- Zum Entnehmen des Bits (a) die Verriegelungshülse (14) zurück ziehen und festhalten.
- Bit (a) entnehmen und Verriegelungshülse (14) loslassen.

8.8 Drehmoment-Einstellung (Bild 1/Pos. 13)

⚠ Achtung!

Drehmoment nur bei Stillstand einstellen. Der Akkuschrauber ist mit einer mechanischen Drehmomenteinstellung ausgestattet.

Das Drehmoment für eine bestimmte Schraubengröße wird an der Drehmoment-

einstellung (13) eingestellt. Das erforderliche Drehmoment ist von mehreren Faktoren abhängig:

- von der Art und Härte des zu bearbeitenden Materials.
- von der Art und der Länge der verwendeten Schrauben.
- von den Anforderungen, die an die Schraubverbindung gestellt werden.

Das Erreichen des Drehmoments wird durch Auslösen der Kupplung signalisiert.

8.9 Schrauben

Verwenden Sie am besten Schrauben mit Selbstzentrierung (z. B. Torx, Kreuzschlitz), welches ein sicheres Arbeiten gewährleistet. Achten Sie darauf, dass der verwendete Bit und die Schraube in Form und Größe übereinstimmen.

8.10 Überlastung des Schraubers

Wenn der Schrauber überlastet wird, schaltet die Schutzabschaltung das Gerät ab. Nach wenigen Sekunden kann der Schrauber wieder benutzt werden.

9. Reinigung, Wartung und Ersatzteilbestellung

⚠ Achtung!

Ziehen Sie vor allen Reinigungsarbeiten den Netzstecker.

9.1 Reinigung

- Halten Sie Schutzvorrichtungen, Luftschlitze und Motorenhäuser so staub- und schmutzfrei wie möglich. Reiben Sie das Gerät mit einem sauberen Tuch ab oder blasen Sie es mit Druckluft bei niedrigem Druck aus.
- Wir empfehlen, dass Sie das Gerät direkt nach jeder Benutzung reinigen.
- Reinigen Sie das Gerät regelmäßig mit einem feuchten Tuch und etwas Schmierseife. Verwenden Sie keine Reinigungs- oder Lösungsmittel; diese könnten die Kunststoffteile des Gerätes angreifen.

Achten Sie darauf, dass kein Wasser in das Geräteinnere gelangen kann.

9.2 Wartung

Im Geräteinneren befinden sich keine weiteren zu wartenden Teile.

9.3 Ersatzteilbestellung:

Bei der Ersatzteilbestellung sollten folgende Angaben gemacht werden:

- Typ des Gerätes
 - Artikelnummer des Gerätes
 - Ident-Nummer des Gerätes
- Aktuelle Preise und Infos finden Sie unter www.isc-gmbh.info

10. Entsorgung und Wiederverwertung

Das Gerät befindet sich in einer Verpackung um Transportschäden zu verhindern. Diese Verpackung ist Rohstoff und ist somit wieder verwendbar oder kann dem Rohstoffkreislauf zurückgeführt werden. Das Gerät und dessen Zubehör bestehen aus verschiedenen Materialien, wie z.B. Metall und Kunststoffe. Führen Sie defekte Bauteile der Sondermüllentsorgung zu. Fragen Sie im Fachgeschäft oder in der Gemeindeverwaltung nach!

DE/AT/
CH



Nur für EU-Länder

Werfen Sie Elektrowerkzeuge nicht
in den Hausmüll!

Gemäß europäischer Richtlinie 2002/96/EG
über Elektro- und Elektronik-Altgeräte und
Umsetzung in nationales Recht müssen
verbrauchte Elektrowerkzeuge getrennt
gesammelt werden und einer umweltgerechten
Wiederverwertung zugeführt werden.

Recycling-Alternative zur Rücksendeauf-
forderung:

Der Eigentümer des Elektrogerätes ist alter-
nativ anstelle Rücksendung zur Mitwirkung bei
der sachgerechten Verwertung im Falle der
Eigentumsaufgabe verpflichtet. Das Altgerät
kann hierfür auch einer Rücknahmestelle
überlassen werden, die eine Beseitigung im
Sinne der nationalen Kreislaufwirtschafts-
und Abfallgesetze durchführt. Nicht betroffen
sind den Altgeräten beigefügte Zubehörteile
und Hilfsmittel ohne Elektrobestandteile.

11. Konformitätserklärung

Einhell Germany AG · Wiesenweg 22 · D-94405 Landau/Isar



Konformitätserklärung

- erklärt folgende Konformität gemäß EU-Richtlinie und Normen für Artikel
 explains the following conformity according to EU directives and norms for the following product
 déclare la conformité suivante selon la directive CE et les normes concernant l'article
 dichiara la seguente conformità secondo la direttiva UE e le norme per l'articolo
 verklaart de volgende overeenstemming conform EU richtlijn en normen voor het product
 declara la siguiente conformidad a tenor de la directiva y normas de la UE para el artículo
 declara a seguinte conformidade, de acordo com a directiva CE e normas para o artigo
 atterer følgende overensstemmelse i medfør af EU-direktiv samt standarder for artikel
 förklarar följande överensstämmelse enl. EU-direktiv och standarder för artikeln
 vakuuttaa, että tuote täyttää EU-direktiivin ja standardien vaatimukset
 tõendab toote vastavust EL direktiivile ja standarditele
 vydává následující prohlášení o shodě podle směrnice EU a norem pro výrobek
 potrjuje sledeću skladnost s smernico EU in standardi za izdelek
 vydáva nasledujúce prehlásenie o zhode podľa smernice EÚ a noriem pre výrobok
 a cikkekhez az EU-irányvonal és Normák szerint a következő konformitást jelenti ki
 deklaruje zgodność wymienionego poniżej artykułu z następującymi normami na podstawie dyrektywy WE.
 декларира съответното съответствие съгласно Директива на ЕС и норми за артикул
 paskaidro šādu atbilstību ES direktīvai un standartiem
 apibūdina šj atitikimą EU reikalavimams ir prekės normoms
 declară următoarea conformitate conform directivei UE și normelor pentru articolul
 δηλώνει την ακόλουθη συμμόρφωση σύμφωνα με την Οδηγία ΕΚ και τα πρότυπα για το προϊόν
 potvrđuje sljedeću usklađenost prema smjernicama EU i normama za artikl
 Izjava o sukladnosti za ovaj proizvod dostupna je na internet stranici www.lidl.hr.
 potvrđuje sljedeću usklađenost prema smjernicama EU i normama za artikl
 potvrđuje sledeću usklađenost prema smernicama EZ i normama za artikal
 следующим удостоверяется, что следующие продукты соответствуют директивам и нормам ЕС
 проголошує про зазначену нижче відповідність виробу директивам та стандартам ЄС на виріб
 Ürünü ile ilgili AB direktifleri ve normları gereğince aşağıda açıklanan uygunluğu belirtir
 erklærer følgende samsvar i henhold til EU-direktivet og standarder for artikkel
 Lýsir uppfyllingu EU-reglna og annarra staða vöru

Akkuschrauber PASS 3,6 A1 / Ladegerät LG PASS 3,6 A1 (Parkside)

- | | |
|---|--|
| <input type="checkbox"/> 87/404/EC_2009/105/EC | <input checked="" type="checkbox"/> 2006/42/EC |
| <input type="checkbox"/> 2005/32/EC_2009/125/EC | <input type="checkbox"/> Annex IV
Notified Body:
Notified Body No.:
Reg. No.: |
| <input type="checkbox"/> 2006/95/EC | |
| <input type="checkbox"/> 2006/28/EC | |
| <input checked="" type="checkbox"/> 2004/108/EC | <input type="checkbox"/> 2000/14/EC_2005/88/EC |
| <input type="checkbox"/> 2004/22/EC | <input type="checkbox"/> Annex V |
| <input type="checkbox"/> 1999/5/EC | <input type="checkbox"/> Annex VI
Noise: measured L_{WA} = dB (A); guaranteed L_{WA} = dB (A)
P = KW; L/Ø = cm
Notified Body: |
| <input type="checkbox"/> 97/23/EC | |
| <input type="checkbox"/> 90/396/EC_2009/142/EC | |
| <input type="checkbox"/> 89/686/EC_96/58/EC | <input type="checkbox"/> 2004/26/EC
Emission No.: |
| <input checked="" type="checkbox"/> 2011/65/EC | |

Standard references: EN 60745-1; EN 60745-2-2; EN 55014-1;
EN 55014-2; EN 60335-1; EN 60335-2-29; EN 61000-3-2; EN 61000-3-3

Landau/Isar, den 22.09.2011

Weichselgartner/General Manager

Unger/Product-Management

First CE: 08
Art.-No.: 45.134.27 I.-No.: 11021
Subject to change without notice

Archive-File/Record: NAPR004730
Documents registrar: Georg Riedel
Wiesenweg 22, D-94405 Landau/Isar

12. GARANTIEURKUNDE

Sehr geehrte Kundin, sehr geehrter Kunde,

unsere Produkte unterliegen einer strengen Qualitätskontrolle. Sollte dieses Gerät dennoch einmal nicht einwandfrei funktionieren, bedauern wir dies sehr und bitten Sie, sich an unseren Servicedienst unter der auf dieser Garantiekarte angegebenen Adresse zu wenden. Gern stehen wir Ihnen auch telefonisch über die unten angegebene Servicrufnummer zur Verfügung. Für die Geltendmachung von Garantieansprüchen gilt Folgendes:

1. Diese Garantiebedingungen regeln zusätzliche Garantieleistungen. Ihre gesetzlichen Gewährleistungsansprüche werden von dieser Garantie nicht berührt. Unsere Garantieleistung ist für Sie kostenlos.
2. Die Garantieleistung erstreckt sich ausschließlich auf Mängel, die auf Material- oder Herstellungsfehler zurückzuführen sind und ist auf die Behebung dieser Mängel bzw. den Austausch des Gerätes beschränkt. Bitte beachten Sie, dass unsere Geräte bestimmungsgemäß nicht für den gewerblichen, handwerklichen oder industriellen Einsatz konstruiert wurden. Ein Garantievertrag kommt daher nicht zustande, wenn das Gerät in Gewerbe-, Handwerks- oder Industriebetrieben sowie bei gleichzusetzenden Tätigkeiten eingesetzt wird.
Von unserer Garantie sind ferner Ersatzleistungen für Transportschäden, Schäden durch Nichtbeachtung der Montageanleitung oder aufgrund nicht fachgerechter Installation, Nichtbeachtung der Gebrauchsanleitung (wie durch z.B. Anschluss an eine falsche Netzspannung oder Stromart), missbräuchliche oder unsachgemäße Anwendungen (wie z.B. Überlastung des Gerätes oder Verwendung von nicht zugelassenen Einsatzwerkzeugen oder Zubehör), Nichtbeachtung der Wartungs- und Sicherheitsbestimmungen, Eindringen von Fremdkörpern in das Gerät (wie z.B. Sand, Steine oder Staub), Gewaltanwendung oder Fremdeinwirkungen (wie z. B. Schäden durch Herunterfallen) sowie durch verwendungsgemäßen, üblichen Verschleiß ausgeschlossen. Dies gilt insbesondere für Akkus, auf die wir dennoch eine Garantiezeit von 12 Monaten gewähren
Der Garantieanspruch erlischt, wenn an dem Gerät bereits Eingriffe vorgenommen wurden.
3. Die Garantiezeit beträgt 3 Jahre und beginnt mit dem Kaufdatum des Gerätes. Garantieansprüche sind vor Ablauf der Garantiezeit innerhalb von zwei Wochen, nachdem Sie den Defekt erkannt haben, geltend zu machen. Die Geltendmachung von Garantieansprüchen nach Ablauf der Garantiezeit ist ausgeschlossen. Die Reparatur oder der Austausch des Gerätes führt weder zu einer Verlängerung der Garantiezeit noch wird eine neue Garantiezeit durch diese Leistung für das Gerät oder für etwaige eingebaute Ersatzteile in Gang gesetzt. Dies gilt auch bei Einsatz eines Vor-Ort-Services.
4. Für die Geltendmachung Ihres Garantieanspruches übersenden Sie bitte das defekte Gerät portofrei an die unten angegebene Adresse. Fügen Sie den Verkaufsbeleg im Original oder einen sonstigen datierten Kaufnachweis bei. Bitte bewahren Sie deshalb den Kassenbon als Nachweis gut auf! Beschreiben Sie uns bitte den Reklamationsgrund möglichst genau. Ist der Defekt des Gerätes von unserer Garantieleistung erfasst, erhalten Sie umgehend ein repariertes oder neues Gerät zurück.

Selbstverständlich beheben wir gegen Erstattung der Kosten auch gerne Defekte am Gerät, die vom Garantieumfang nicht oder nicht mehr erfasst sind. Dazu senden Sie das Gerät bitte an unsere Serviceadresse.



IAN: 71827 PASS 3.6 A1

Einhell Germany AG

Wiesenweg 22

D-94405 Landau/Isar

Last Information Update · Stanje informacija · Versiune informații

Състояние на информацията · Έκδοση των πληροφοριών

Stand der Informationen: 11/2011 Ident.-No.: 45.134.27 112011 - HR RO BG GR

