



**TE-VC 2230 SACL**

---

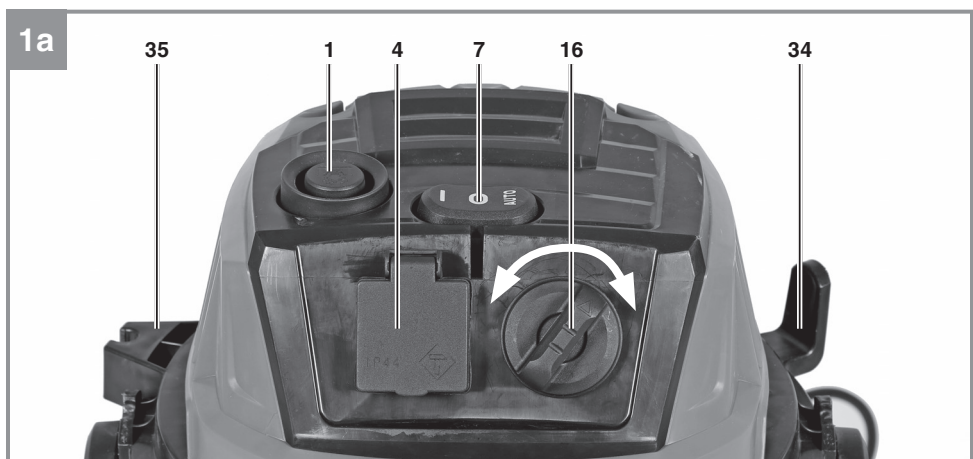
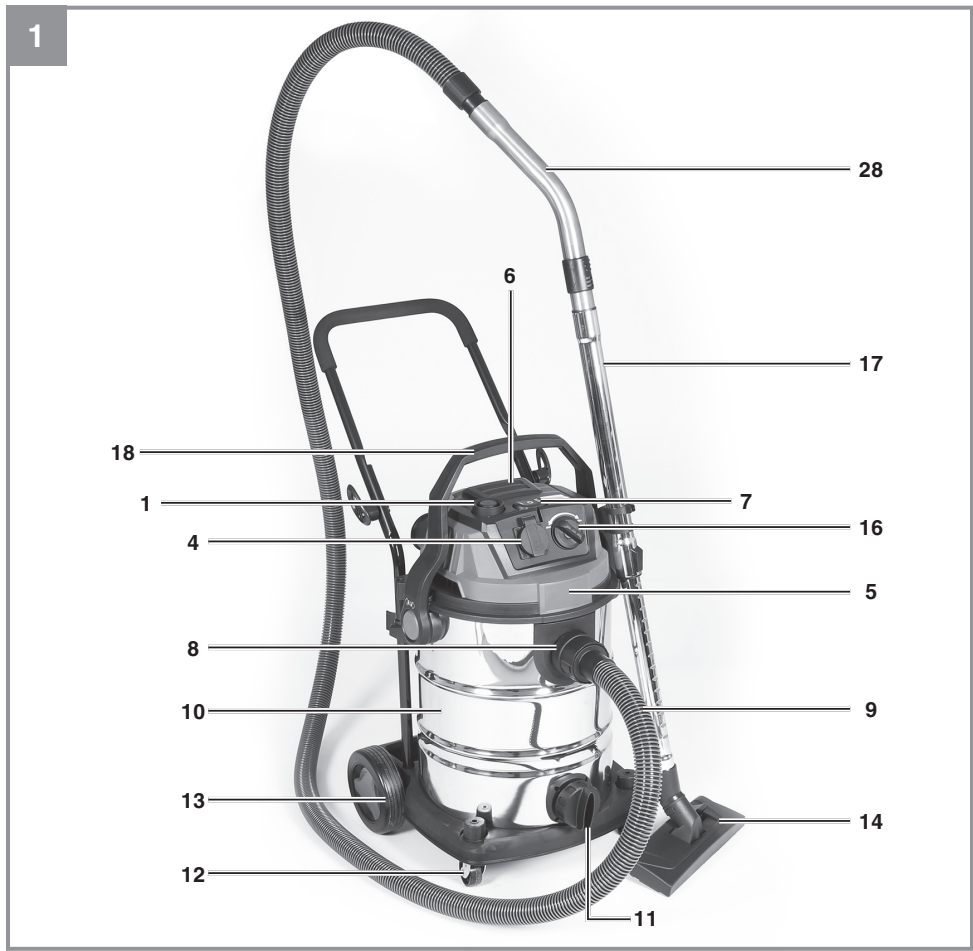
**GB Original operating instructions**  
**Wet and dry vacuum cleaner**

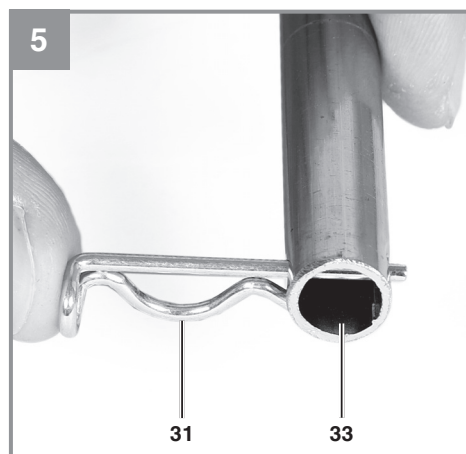
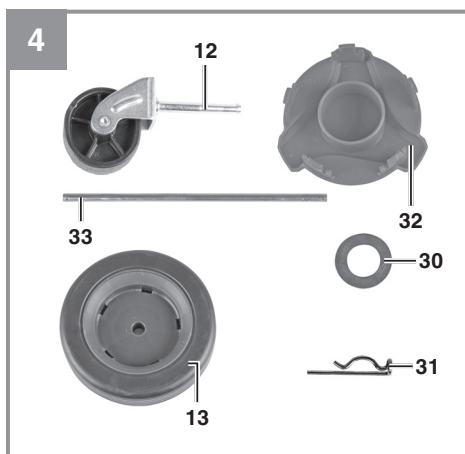
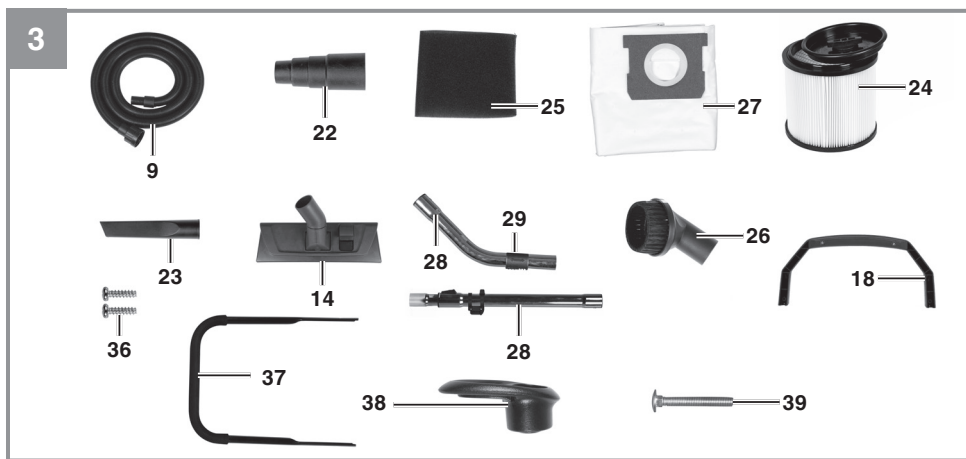
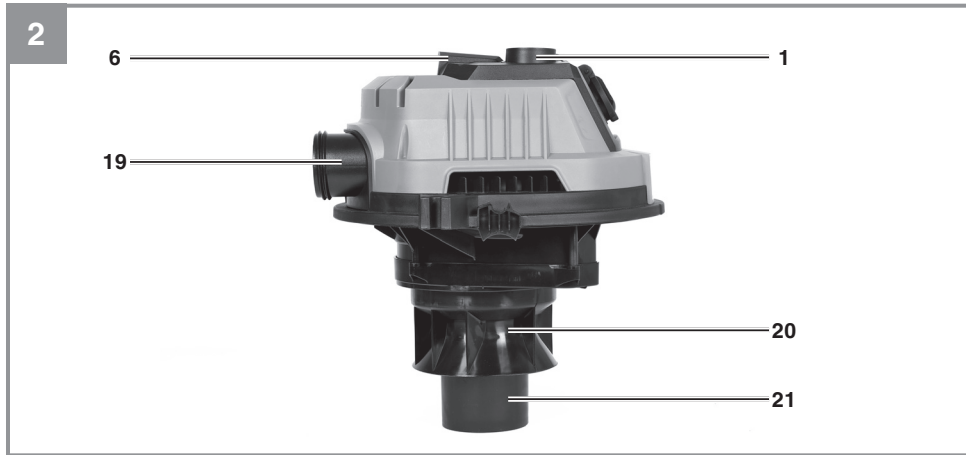


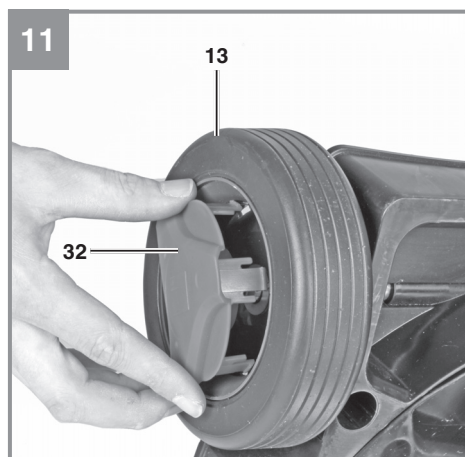
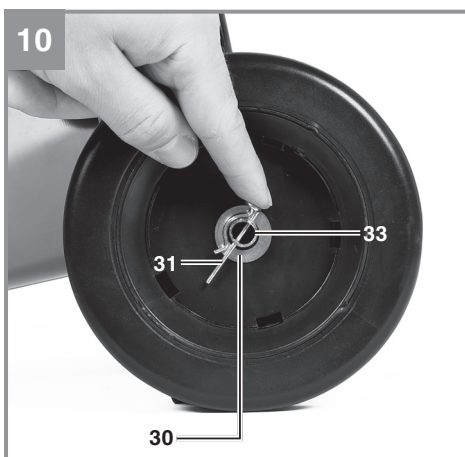
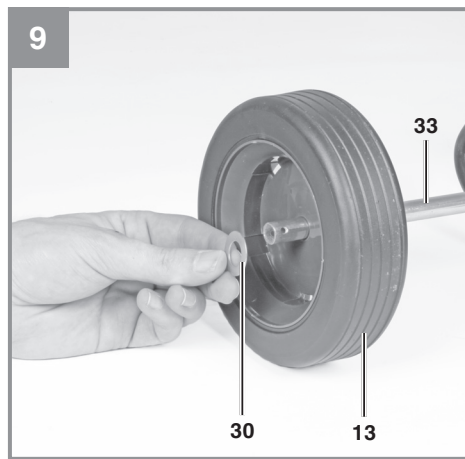
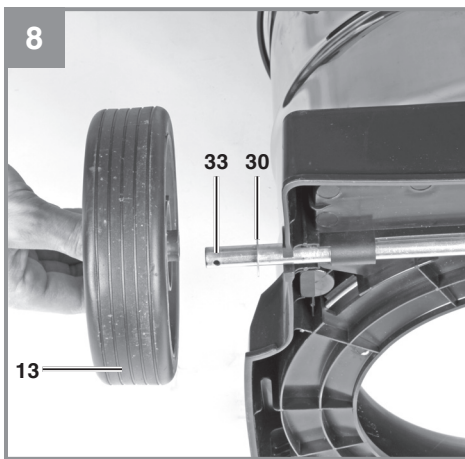
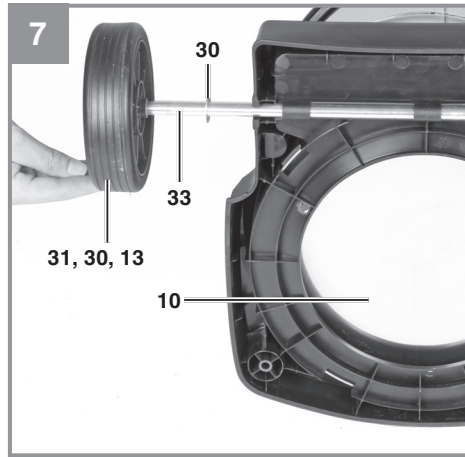
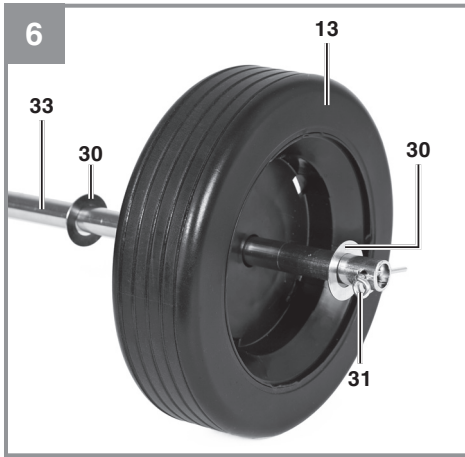
---

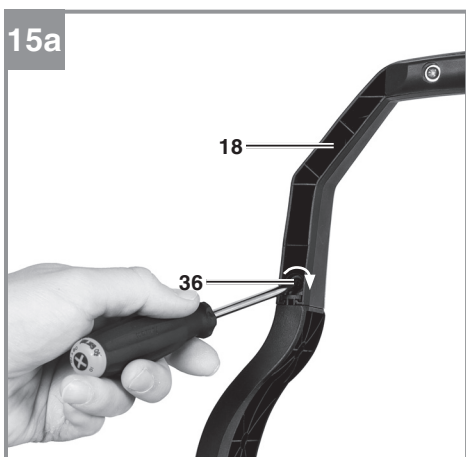
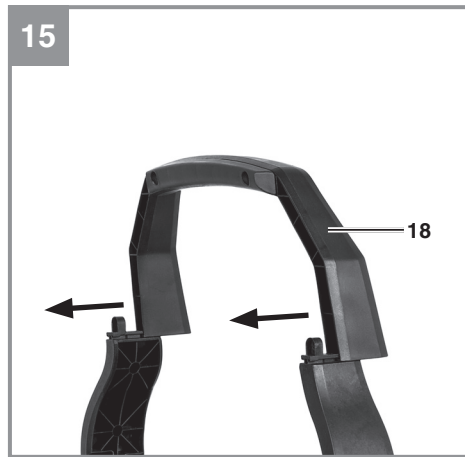
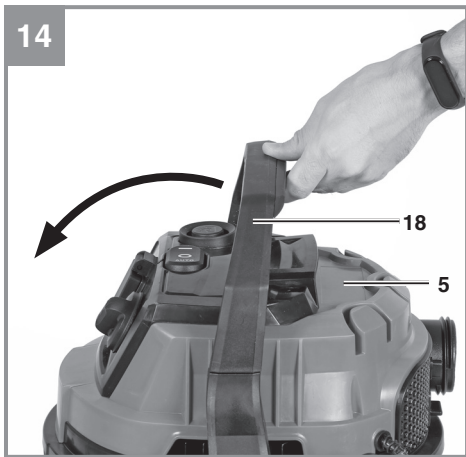
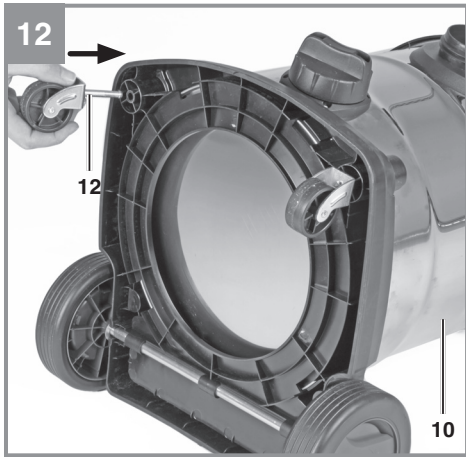
**Art.-Nr.: 23.424.67**

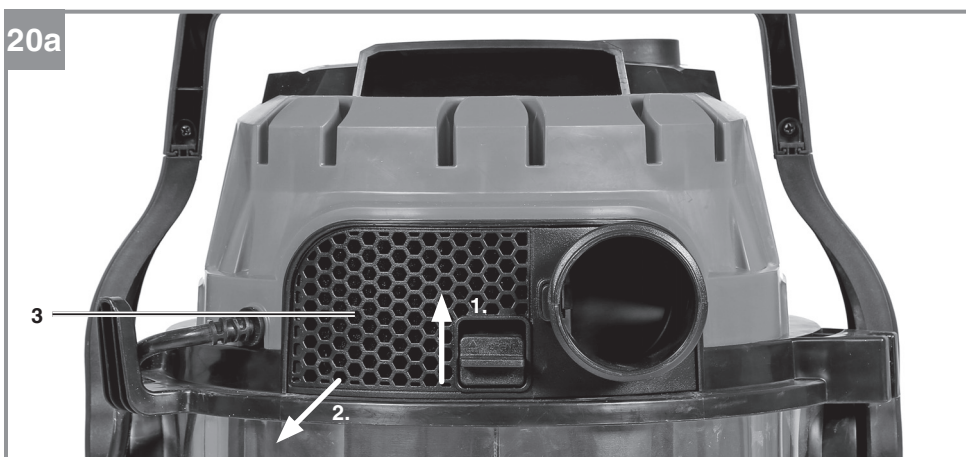
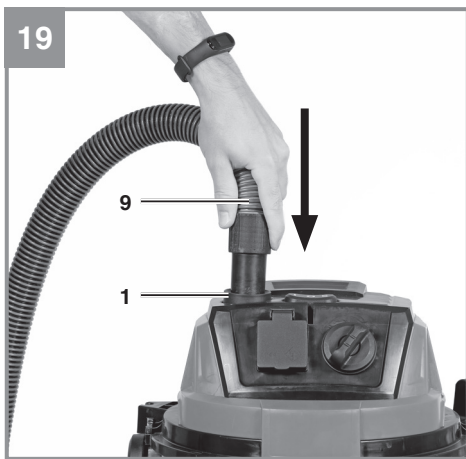
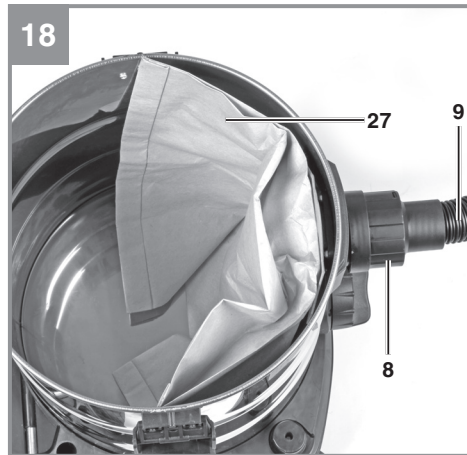
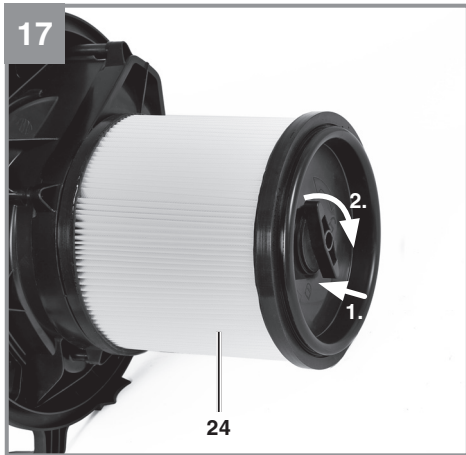
**I.-Nr.: 21011**

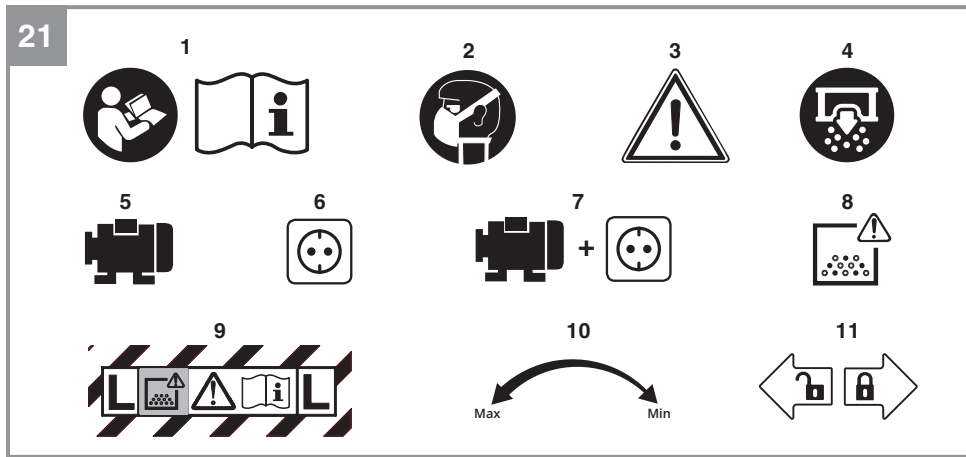
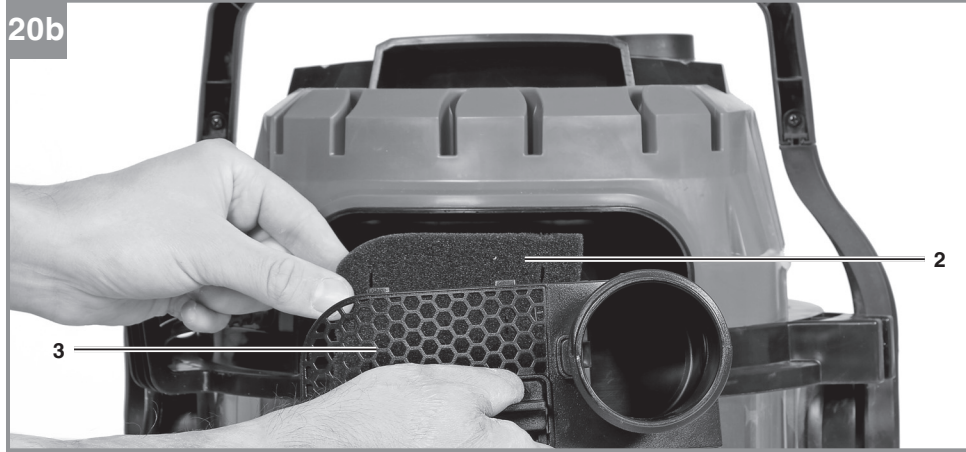












**Danger!**

When using the equipment, a few safety precautions must be observed to avoid injuries and damage. Please read the complete operating instructions and safety regulations with due care. Keep this manual in a safe place, so that the information is available at all times. If you give the equipment to any other person, hand over these operating instructions and safety regulations as well. We cannot accept any liability for damage or accidents which arise due to a failure to follow these instructions and the safety instructions.

**Explanation of the symbols used (see Fig. 21)**

1. **Danger!** - Read the operating instructions to reduce the risk of injury.
2. **Caution! Wear a breathing mask.** Dust which is injurious to health can be generated when working on wood and other materials. Never use the tool to work on any materials containing asbestos!
3. **Beware of general danger.**
4. Cleaning the pleated filter
5. Power input
6. Max. power consumption of the automatic socket-outlet
7. Max. total power consumption
8. **Warning!** The equipment contains harmful dust. Leave the emptying of the dust collection container and all maintenance work, including the disposal of the dust collection container, to specially trained persons wearing the appropriate protective equipment.
9. Suitable for the separation of dust with an exposure limit value greater than  $1 \text{ mg/m}^3$ .
10. Suction power control
11. Container lock

**1. Safety regulations****Danger!****Read all safety regulations and instructions.**

Any errors made in following the safety regulations and instructions may result in an electric shock, fire and/or serious injury.

**Keep all safety regulations and instructions in a safe place for future use.**

- Important: Read the operating instructions before assembling and using the appliance for the first time.
- Check that the mains voltage is the same as the mains voltage specified on the rating

plate.

- Pull out the power plug in the following circumstances: Whenever the appliance is not in use, before opening the appliance and before all cleaning and maintenance work.
- Never clean the appliance with solvents.
- Never pull the plug out of the socket by pulling the cable.
- Never leave the appliance unattended when operational.
- Keep away from children.
- Take care to ensure that the power cable does not get damaged by being run over, crushed, pulled or suchlike.
- Do not use the machine if the power cable is in a less than perfect condition.
- If the power cable has to be replaced, the replacement must comply with the design specifications of the manufacturer. Power cable: H 05 VV - F 3 x 1.5 mm<sup>2</sup>
- Never vacuum the following: Burning matches, smoldering ash and cigarette butts, combustible, caustic, inflammable or explosive substances, vapor or liquids.
- This appliance is not suitable for vacuuming dust which can be harmful to health.
- Store the appliance in a dry indoor location.
- Never use the appliance if it is damaged.
- Only allow the appliance to be serviced by an authorized after sales service outlet.
- Only use the appliance to carry out work for which has been designed.
- Take extra care when cleaning steps.
- Use only genuine accessories and spare parts.
- Only use the socket on the equipment for the purposes specified in the operating instructions.
- Do not use the equipment in areas where there is a potential risk of explosion.
- Only use with suitable protective equipment.
- Warning! Only use the equipment after suitable instruction on the use of the equipment, the materials/substances to be vacuumed and the disposal of those materials/substances.
- Only operate the equipment together with the complete filtration system.

This equipment is not intended to be used by persons (including children) with reduced physical, sensory or mental capacities or those with a lack of experience and/or knowledge.

Children must always be supervised in order to ensure that they do not play with the equipment.



## 2. Layout and items supplied

### 2.1 Layout (Fig. 1-20)

1. Filter cleaning button
2. Filters
3. Filter cover
4. Automatic socket-outlet for electric tools
5. Head
6. Recessed handle
7. ON/OFF/Automatic switch
8. Suction hose connection
9. Flexible suction hose
10. Container
11. Water drain screw
12. Rollers
13. Wheels
14. Combination nozzle
15. Accessory compartment
16. Rotary knob for suction power adjustment
17. Suction tube, telescopic
18. Carry-handle
19. Blow connector
20. Filter cage
21. Safety float valve
22. Electric tool adapter
23. Crevice nozzle
24. Pleated filter with cover
25. Foam filter
26. Upholstery nozzle
27. Collection bag
28. Handle
29. Air regulator
30. 4 x Washers for fitting the wheels
31. 2 x Split pins for fitting the wheels
32. 2 x Covers for fitting the wheels
33. Axle for fitting the wheels
34. Hook for cable store
35. Suction tube holder
36. Screw for fitting the carry-handle
37. Push bar
38. Fastening nuts for push bar
39. 2x screws for push bar assembly
40. Bracket for push bar

### 2.2 Items supplied

Please check that the article is complete as specified in the scope of delivery. If parts are missing, please contact our service center or the sales outlet where you made your purchase at the latest within 5 working days after purchasing the product and upon presentation of a valid bill of purchase. Also, refer to the warranty table in the service information at the end of the operating instructions.

- Open the packaging and take out the equipment with care.
- Remove the packaging material and any packaging and/or transportation braces (if available).
- Check to see if all items are supplied.
- Inspect the equipment and accessories for transport damage.
- If possible, please keep the packaging until the end of the guarantee period.

### Danger!

**The equipment and packaging material are not toys. Do not let children play with plastic bags, foils or small parts. There is a danger of swallowing or suffocating!**

- Flexible suction hose
- Electric tool adapter
- Dirt bag
- Foam filter
- Upholstery nozzle
- Crevice nozzle
- Combination nozzle
- Handle
- Pleated filter with cover
- Suction tube, telescopic
- Covers for fitting the wheels (2x)
- Axle for fitting the wheels
- 4 x Washers for fitting the wheels
- 2 x Split pins for fitting the wheels
- 2 x Wheels
- 2 x Castors
- Coarse filter
- Push bar
- 2 x screws for push bar assembly
- 2 x fastening screws for push bar assembly
- Two screws for fitting the carry-handle
- Carry-handle
- Push bar
- Fastening nuts for push bar
- 2x screws for push bar assembly
- Original operating instructions

## 3. Proper use

The wet and dry vacuum cleaner is designed for wet and dry vacuuming using the appropriate filter. The equipment is not suitable for the vacuuming of combustible or explosive substances. Wet and dry vacuum cleaners to dust class L are only allowed to be used for dry vacuuming of harmful dusts with an exposure limit value greater

than 1 mg/m<sup>3</sup> (dust class L) using the appropriate pleated filter.

The equipment is to be used only for its prescribed purpose. Any other use is deemed to be a case of misuse. The user / operator and not the manufacturer will be liable for any damage or injuries of any kind caused as a result of this.

Please note that our equipment has not been designed for use in commercial, trade or industrial applications. Our warranty will be voided if the machine is used in commercial, trade or industrial businesses or for equivalent purposes.

#### 4. Technical data

Mains voltage: .....220-240 V~ 50/60 Hz  
 Power consumption: ..... 1,400 W  
 Max. power consumption of the automatic socket-outlet: ..... 1500 W  
 Max. total power consumption: ..... 2900 W  
 Max underpressure .....220 hPa (mbar)  
 Dust class ..... L  
 Sound pressure level L<sub>pA</sub>..... 72 dB(A)  
 Uncertainty K<sub>pA</sub> ..... 2 dB (A)  
 Container volume: .....30 l  
 Max. filling capacity (water) .....17.7 l  
 Weight: ..... approx. 10.4 kg

#### 5. Before starting the equipment

##### Warning!

Before you connect the equipment to the power supply make sure that the data on the rating plate are identical to the supply voltage.

The equipment may be connected only to a shock-proof socket-outlet.

##### 5.1 Assembling the equipment

###### Fitting the wheels (Fig. 4-11)

Place a split pin for fitting the wheels (31) through the appropriate hole in the axle (33) and fit a washer (30), a wheel (13) and a washer to the axle (33) (Fig. 5-6). Now slide the axle (33) through the guides provided for it on the underside of the tank (10) (Fig. 7). Fit a washer and the second wheel (13) to the empty end of the axle (33) and secure it with the other washer (30) and

the split pin (31) (Fig. 8-10). Push the covers (32) on to the outside of the wheels (13) so that the detents engage on the covers (32) for the wheel (13). (Fig. 11).

###### Fitting the castors (Fig. 12)

Fit the castors (12) into the appropriate mountings on the underside of the container (10). Push the castors (12) firmly into the mounting until they engage with a clicking noise (Fig. 12).

###### Fitting the push bar (Fig. 13)

Place the push bar (37) into the push bar connections (a) of the tank and secure the push bar with the supplied screws (39) and fastening nuts (38) as shown in Figure 13.

###### Fitting the equipment head (Fig. 14)

The equipment head (5) is fastened to the container (10) by the carry-handle (18). To remove the equipment head, swing the carry-handle forward (Fig. 14) and lift off the equipment head. When you fit the equipment head, make sure that the carry-handle is in the correct position (Fig. 14).

###### Fitting the carry-handle (Fig. 15-15a)

Fit the carry-handle (18) in accordance with Fig. 15-15a.

#### 5.2 Fitting the filters

##### Important!

Never use the wet and dry vacuum cleaner without a filter.

Always ensure that the filters are securely seated.

###### Fitting the foam filter (Fig. 16)

For wet-vacuuming, slip the supplied foamed plastic filter (25) over the filter basket (Figs. 2/20). The pleated filter (Fig. 3/24) already fitted upon delivery is not suitable for wet-vacuuming!

###### Fitting the pleated filter (Fig. 17)

For dry-vacuuming, slip the pleated filter (Fig. 3/24) over the filter basket (Fig. 2/20). The pleated filter (Fig. 3/24) is suitable for dry-vacuuming only.

###### 5.3 Fitting the tank bag (Fig. 18)

Fit the dirt bag (Fig. 3/27) as shown in Figure 18.

###### 5.4 Fitting the suction hose (Fig. 1-3; 18)

Connect the suction hose (9) to the corresponding connector on the wet and dry vacuum cleaner, depending on the application required.

**Vacuumping**

Connect the suction hose (9) to the suction hose connector (8).

**Blowing**

Connect the suction hose (9) to the blow connector (19).

**Air regulator (Fig. 3)**

The air regulator (29) can be fitted between the suction hose (9) and the suction tube (17). The suction power of the nozzle can be infinitely adjusted using the air regulator (29).

When wet vacuuming, make selective use of the air regulator to suck in air as well as liquids. This will help to take some strain off the equipment when vacuuming liquids.

**5.5 Suction nozzles****Combination nozzle (Fig. 3)**

The dual-purpose nozzle (14) is for vacuuming solids and liquids over medium to large areas.

**Crevice nozzle (Fig. 3)**

The crevice nozzle (23) is designed for vacuuming solids and liquids in corners, edges and other areas that are difficult to access.

**Upholstery nozzle (Fig. 3)**

The upholstery nozzle (26) is specially designed for vacuuming solids on upholstery and carpets.

**6. Operation****6.1 ON/OFF switch (Fig. 1/7)**

Switch position 0:	Off
Switch position I:	Normal mode
Switch position AUTO:	Automatic mode

**6.1.2 Suction power adjuster (Fig. 1a)**

Turn the rotary knob for suction power adjustment (16) to the left or right to adjust the suction power.

**6.2 Dry vacuuming**

Use the pleated filter (24) for dry vacuuming (see point 5.2). The dirt bag (27) can be fitted in addition when removing particularly stubborn dirt (see point 5.3).

Always ensure that the filters are securely seated.

**6.3 Wet vacuuming**

For wet-vacuuming, use the foam filter (25) (see point 5.2).  
Check that the filter is securely seated at all times.

**Water drain screw (Fig.1)**

To make the tank (10) easier to empty after wet vacuuming, it is fitted with a water drain screw (11). Open the water drain screw (11) by turning it anti-clockwise and drain the liquid.

When wet vacuuming, the floating safety switch (Fig. 2/21) closes when the maximum tank level is reached. At the same time, the suction noise of the equipment will change and become louder. You must then switch off the equipment and empty the tank.

**Danger!**

The wet and dry vacuum cleaner is not suitable for the vacuuming of combustible liquids. For wet vacuuming, use only the supplied foam filter.

**6.4 Automatic mode (Fig. 1)**

Connect the power cable on your electric tool to the automatic socket-outlet (4) and connect the suction hose (9) to the extractor connector on your electric tool. Check that the connections are secure and air-tight.

You can use the supplied electric tool adapter (Fig. 3/22) to connect the suction hose (9) to the electric tool. To do so, fit it between the suction hose and the extractor port on the electric tool.

Set the switch (7) on the wet and dry vacuum cleaner to position AUTO (automatic mode). The moment you switch on the electric tool, the wet and dry vacuum cleaner switches on as well. When you switch off the electric tool, the wet and dry vacuum cleaner switches off as well after a pre-set delay.

**6.5 Blowing**

Connect the suction hose (Fig. 1/9) to the blow connector (Fig. 2/19) on the wet and dry vacuum cleaner.

**6.6 Filter cleaning system (Fig. 19)**

The equipment has a filter cleaning system which enables large amounts of fine dust to be suctioned without fitting the dirt collector bag.

**Important!** The filter cleaning system can only be activated if the equipment is in operation!

If there is a drop in suction performance, the filter cleaning system can be activated at the touch of a button in order to clean the dirty coarse filter and increase the suction performance again.

Actuate the cleaning button (1) six times while the equipment is in operation with the end of the suction hose. Keep the button pressed down for 4 seconds each time you actuate it. Ensure that the suction hose does not become kinked when you do so.

#### 6.7 Cleaning the filter (Fig. 1/5)

Clean the equipment regularly with a damp cloth and some soft soap. Do not use cleaning agents or solvents; these may be aggressive to the plastic parts in the equipment.

#### 6.8 Cleaning the tank (Fig. 1/10)

The tank can be cleaned with a damp cloth and some soft soap or under running water, depending on the amount of dirt.

#### 6.9 Cleaning the filters

##### Cleaning the pleated filter (Fig. 3/24)

Clean the pleated filter (24) regularly by carefully patting it and cleaning it with a fine brush or hand brush.

##### Cleaning the foam filter (Fig. 3/25)

Clean the foam filter (25) with a little soft soap under running water and allow it to air-dry.

##### Cleaning the filter (Fig. 20a-20b)

The filter (2) should be checked at regular intervals and cleaned if necessary.

1. Remove the filter cover (2) (Fig. 20a).
2. Take out the filter (2) (Fig. 20b).
3. Clean the filter by tapping it or blowing it out.
4. Assemble in reverse order

## 7. Replacing the power cable

### Danger!

If the power cable for this equipment is damaged, it must be replaced by the manufacturer or its after-sales service or similarly trained personnel to avoid danger.

## 8. Cleaning, maintenance and ordering of spare parts

### Danger!

Always pull out the mains power plug before starting any cleaning work.

### Warning!

Maintenance and cleaning work must be performed in such a way that no danger is created for maintenance personnel or any other persons. When maintenance and repair work is carried out, all contaminated parts which cannot be sufficiently cleaned must be packed in impermeable bags and disposed of in accordance with the applicable regulations in force in your country.

#### In the maintenance work area:

- Ensure that filtered forced ventilation is provided
- Wear personal protective equipment
- Clean the maintenance work area after completion of the maintenance work

#### 8.1 Cleaning

- Keep all safety devices, air vents and the motor housing free of dirt and dust as far as possible.
- We recommend cleaning the equipment immediately each time after use.

#### 8.2 Maintenance

At regular intervals and before each use, check that the filters in the wet and dry vacuum cleaner are securely fitted.

A dust-related inspection, e.g. for damage to the filter or for leaks in the vacuum cleaner, must be carried out at least once a year by the manufacturer or an instructed person.

#### 8.3 Ordering spare parts and accessories

Please provide the following information when ordering spare parts:

- Type of unit
- Article number of the unit
- ID number of the unit
- Spare part number of the required spare part

For our latest prices and information please go to [www.Einhell-Service.com](http://www.Einhell-Service.com)

## 9. Disposal and recycling

The equipment is supplied in packaging to prevent it from being damaged in transit. The raw materials in this packaging can be reused or recycled. The equipment and its accessories are made of various types of material, such as metal and plastic. Never place defective equipment in your household refuse. The equipment should be taken to a suitable collection center for proper disposal. If you do not know the whereabouts of such a collection point, you should ask in your local council offices.

## 10. Storage

Store the equipment and accessories in a dark and dry place at above freezing temperature. The ideal storage temperature is between 5 and 30 °C. Store the electric tool in its original packaging.



For EU countries only

Never place any electric power tools in your household refuse.

To comply with European Directive 2012/19/EC concerning old electric and electronic equipment and its implementation in national laws, old electric power tools have to be separated from other waste and disposed of in an environment-friendly fashion, e.g. by taking to a recycling depot.

**Recycling alternative to the return request:**  
As an alternative to returning the equipment to the manufacturer, the owner of the electrical equipment must make sure that the equipment is properly disposed of if he no longer wants to keep the equipment. The old equipment can be returned to a suitable collection point that will dispose of the equipment in accordance with the national recycling and waste disposal regulations. This does not apply to any accessories or aids without electrical components supplied with the old equipment.

The reprinting or reproduction by any other means, in whole or in part, of documentation and papers accompanying products is permitted only with the express consent of the Einhell Germany AG.

Subject to technical changes

## Service information

We have competent service partners in all countries named on the guarantee certificate whose contact details can also be found on the guarantee certificate. These partners will help you with all service requests such as repairs, spare and wearing part orders or the purchase of consumables.

Please note that the following parts of this product are subject to normal or natural wear and that the following parts are therefore also required for use as consumables.

Category	Example
Wear parts*	Combination nozzle, crevice nozzle, upholstery nozzle, electric tool adapter, etc.
Consumables*	Pleated filter, foam filter, dirt bag, additional filter, etc.
Missing parts	

\* Not necessarily included in the scope of delivery!

In the event of defects or faults, please register the problem on the internet at [www.Einhell-Service.com](http://www.Einhell-Service.com). Please ensure that you provide a precise description of the problem and answer the following questions in all cases:

- Did the equipment work at all or was it defective from the beginning?
- Did you notice anything (symptom or defect) prior to the failure?
- What malfunction does the equipment have in your opinion (main symptom)?  
Describe this malfunction.

## Warranty certificate

Dear Customer,

All of our products undergo strict quality checks to ensure that they reach you in perfect condition. In the unlikely event that your device develops a fault, please contact our service department at the address shown on this guarantee card. You can also contact us by telephone using the service number shown. Please note the following terms under which guarantee claims can be made:

1. These guarantee terms apply to consumers only, i.e. natural persons intending to use this product neither for their commercial activities nor for any other self-employed activities. These warranty terms regulate additional warranty services, which the manufacturer mentioned below promises to buyers of its new products in addition to their statutory rights of guarantee. Your statutory guarantee claims are not affected by this guarantee. Our guarantee is free of charge to you.
2. The warranty services cover only defects due to material or manufacturing faults on a product which you have bought from the manufacturer mentioned below and are limited to either the rectification of said defects on the product or the replacement of the product, whichever we prefer.  
Please note that our devices are not designed for use in commercial, trade or professional applications. A guarantee contract will not be created if the device has been used by commercial, trade or industrial business or has been exposed to similar stresses during the guarantee period.
3. The following are not covered by our guarantee:
  - Damage to the device caused by a failure to follow the assembly instructions or due to incorrect installation, a failure to follow the operating instructions (for example connecting it to an incorrect mains voltage or current type) or a failure to follow the maintenance and safety instructions or by exposing the device to abnormal environmental conditions or by lack of care and maintenance.
  - Damage to the device caused by abuse or incorrect use (for example overloading the device or the use of unapproved tools or accessories), ingress of foreign bodies into the device (such as sand, stones or dust, transport damage), the use of force or damage caused by external forces (for example by dropping it).
  - Damage to the device or parts of the device caused by normal or natural wear or tear or by normal use of the device.
4. The guarantee is valid for a period of 24 months starting from the purchase date of the device. Guarantee claims should be submitted before the end of the guarantee period within two weeks of the defect being noticed. No guarantee claims will be accepted after the end of the guarantee period. The original guarantee period remains applicable to the device even if repairs are carried out or parts are replaced. In such cases, the work performed or parts fitted will not result in an extension of the guarantee period, and no new guarantee will become active for the work performed or parts fitted. This also applies if an on-site service is used.
5. To make a claim under the guarantee, please register the defective device at: [www.Einhell-Service.com](http://www.Einhell-Service.com). Please keep your bill of purchase or other proof of purchase for the new device. Devices that are returned without proof of purchase or without a rating plate shall not be covered by the guarantee, because appropriate identification will not be possible. If the defect is covered by our guarantee, then the item in question will either be repaired immediately and returned to you or we will send you a new replacement.

Of course, we are also happy offer a chargeable repair service for any defects which are not covered by the scope of this guarantee or for units which are no longer covered. To take advantage of this service, please send the device to our service address.

Also refer to the restrictions of this warranty concerning wear parts, consumables and missing parts as set out in the service information in these operating instructions.



- D** Konformitätserklärung: Wir erklären Konformität gemäß EU-Richtlinie und Normen für Artikel
- GB** Declaration of conformity: We declare conformity in accordance with the EU directive and standards for article
- F** Déclaration de conformité : Nous déclarons la conformité conformément aux directives et normes UE pour l'article
- I** Dichiarazione di conformità: dichiariamo la conformità secondo la direttiva UE e le norme per l'articolo
- DK** Overensstemmelseserklæring: Vi attesterer overensstemmelse iht. EU-direktiv samt standarder for artikel
- S** Försäkran om överensstämmelse: Vi förklarar följande överensstämmelse enl. EU-direktiv och standarder för artikeln
- CZ** Prohlášení o shodě: Prohlašujeme shodu podle směrnice EU a norem pro výrobek
- SK** Vyhlásenie o zhode: Vyhlasujeme zhodu podľa smernice EÚ a noriem pre výrobok
- NL** Conformiteitsverklaring: wij verklaren conformiteit conform EU-richtlijn en normen voor artikel
- E** Declaración de conformidad: declaramos la conformidad a tenor de la directiva y normas de la UE para el artículo
- FIN** Standardinmukaisuus todistus: Me vakuutamme, että EU-direktiivin ja standardien vaatimukset täyttyvät tuotteelle
- SLO** IZJAVA O SKLADNOSTI potrjuje sledečo skladnost s smernico EU in standardi za izdelek
- H** Konformitási nyilatkozat: Az EU-irányvonal és normák szerinti konformitást jelentjük ki a cikkhez
- RO** Declarație de conformitate: Declaram conformitate conform directivei și normelor UE pentru articolul
- GR** Δήλωση συμμόρφωσης: Δηλώνουμε συμμόρφωση σύμφωνα με Οδηγία Εε και πρότυπα για τα προϊόντα
- P** Declaração de conformidade: Declaramos a conformidade de acordo com a diretiva CE e normas para o artigo
- HR** IZJAVA O SUKLADNOSTI potvrđuje sljedeću usklađenost prema smjernicama EU i normama za artikl
- BIH** IZJAVA O SUKLADNOSTI potvrđuje sljedeću usklađenost prema smjernicama EU i normama za artikl
- RS** DEKLARACIJA O USUGLAŠENOST potvrđuje sledeću usklađenost prema smernicama EZ i normama za artikl
- TR** Uygunluk Deklarasyonu: AB direktifi ve ürün standartları uyarınca uygunluğunu beyan ederiz
- RUS** Заявление о соответствии товара: Настоящим удостоверяется, что следующие продукты соответствуют директивам и нормам ЕС
- EE** Vastavusdeklaratsioon: Tõendame toote vastavust EL direktiivile ja standarditele
- LV** Atbilstības deklarācija: Mēs apliecinām atbilstību ES direktīvai un standartiem tālāk minētajām precēm
- LT** Atitikties deklaracija: deklaruojame, kad gaminy's atitinka ES direktyvą ir standartus
- PL** Deklaracja Zgodności - deklarujemy zgodność wymienionego poniziej artykułu z następującymi normami na podstawie dyrektywy EU
- BG** Декларация за съответствие: Ние декларираме съответствие на Директивите и нормите (ЕС) за изделия
- UKR** Декларація відповідності: ми заявляємо про відповідність згідно з Директивою ЄС та стандартами стосовно артикула
- MK** Izjava za soobraznost: Izjavујuаme soobraznost со регулативата и со нормите на ЕУ за артикли
- N** Samsvarserklæring: Vi erklærer samsvar i henhold til EU-direktiv og standarder for artikkel
- IS** Samræmisfyrirlysing: Við útskurdum samræmi við EU-reglugerð og stöðlum fyrir vörutegund

### Wet/Dry Vacuum Cleaner\* TE-VC 2230 SACL (Einhell)

- |   |  |
|---|--|
| <input type="checkbox"/> 2014/29/EU                         | <input type="checkbox"/> 2006/42/EC  |
| <input checked="" type="checkbox"/> 2005/32/EC_2009/125/EC  | <input type="checkbox"/> Annex IV<br>Notified Body:<br>Reg. No.:   |
| <input type="checkbox"/> (EU)2015/1188                      |  |
| <input checked="" type="checkbox"/> 2014/35/EU              | <input type="checkbox"/> 2000/14/EC_2005/88/EC   |
| <input type="checkbox"/> 2006/28/EC                         | <input type="checkbox"/> Annex V   |
| <input checked="" type="checkbox"/> 2014/30/EU              | <input type="checkbox"/> Annex VI<br>Noise: measured $L_{WA}$ = dB (A); guaranteed $L_{WA}$ = dB (A)<br>P = kW; L/Q = cm<br>Notified Body: |
| <input type="checkbox"/> 2014/32/EU                         |  |
| <input type="checkbox"/> 2014/53/EU                         | <input type="checkbox"/> 2012/46/EU_(EU)2016/1628<br>Emission No.:   |
| <input type="checkbox"/> 2014/68/EU                         |  |
| <input type="checkbox"/> (EU)2016/426<br>Notified Body:     |  |
| <input type="checkbox"/> (EU)2016/425                       |  |
| <input checked="" type="checkbox"/> 2011/65/EU_(EU)2015/863 |  |

Standard references: EN 60335-1; EN 60335-2-2; EN 62233;  
EN 55014-1; EN 55014-2; EN 61000-3-2; EN 61000-3-3

Einhell Germany AG · Wiesenweg 22 · D-94405 Landau/Isar

Landau/Isar, den 03.12.2021

Andreas Weichselgartner/General-Manager

Jeff Dong/Product-Management

First CE: 2021  
Art.-No.: 23.424.67 I.-No.: 21011  
Subject to change without notice

Archive-File/Record: NAPRO26892  
Documents registrar: Luca Peer  
Wiesenweg 22, D-94405 Landau/Isar

\* GB Wet and dry vacuum cleaner · F Aspirateur eau et poussières · I Aspiratutto · DK/N Våd-tørsuger · S Våt- och torrsgugare · CZ Vysavač pro vysávání zamokra i zasuha · SK Mokra-suchý vysávač · NL Nat-droogzuiger · E Aspirador en seco y húmedo · FIN Märkä-kuivaimuri · SLO Sesalniki za mikro in suho sesanje · H Nedves- szárazszívó · RO Aspirator umed-uscat · GR Ηλεκτρική μηχανή στεγνών και υγρών καθαρισμού · P Aspirador universal · HR/BIH Usisavač za mokro/suho čišćenje · RS Usisvač za mokrosuvo čišćenje · PL Odkurzac z na sucho i na mokro · TR Islak kuru elektrik süpürgesi · RUS Пылесос для влажной и сухой очистки · EE Vee- ja tolmimeja · LV Putekļu sūcējs mitrai un sausai tīrīšanai · LT Šlapijojo ir sausiojo valymo siurblys · BG Прахосмукачка за мокро и сухо почистване · UKR Пилосос для вологого і сухого прибирання · MK Aparat za suvo i vlažno smučenje · NO Torr-/våtsguger · IS Blaut-/þurrkúguga





## Declaration of conformity

We, **Einhell UK Ltd**

*Champions Business Park, First Floor Unit 10, Arrowe Brook Rd, Upton, Wirral CH49 0AB,  
United Kingdom*

declare the conformity to UK standards and legislation was assessed for:

### Wet/Dry Vacuum Cleaner TE-VC 2230 SACL (Einhell)

#### UK legislation

- |  |  |
|--|--|
| <input type="checkbox"/> Simple Pressure Vessels (Safety) Regulation   | <input checked="" type="checkbox"/> Electromagnetic Compatibility Regulation |
| <input checked="" type="checkbox"/> Electrical Equipment (Safety) Regulation   | <input type="checkbox"/> Measuring Instruments Regulation                    |
| <input type="checkbox"/> Radio Equipment Regulation  | <input type="checkbox"/> Pressure Equipment (Safety) Regulation              |
| <input type="checkbox"/> Personal Protective Equipment Regulation  |  |
| <input checked="" type="checkbox"/> The Ecodesign for Energy-Related Products and Energy Information Regulation                                  |  |
| <input checked="" type="checkbox"/> The Restriction of the Use of Certain Hazardous Substances in Electrical and Electronic Equipment Regulation |  |
| <input type="checkbox"/> Noise Emission in the Environment by Equipment for use Outdoors Regulation  |  |
| <input type="checkbox"/> Annex V   |  |
| <input type="checkbox"/> Annex VI  |  |
| Noise: measured $L_{WA}$ = dB (A); guaranteed $L_{WA}$ = dB (A)  |  |
| P = kW; LØ = cm  |  |
| UK Approved Body:  |  |
| <input type="checkbox"/> Supply of Machinery (Safety) Regulation   |  |
| <input type="checkbox"/> Annex IV  |  |
| UK Approved Body:  |  |
| UKTE Certificate No.:  |  |

**Standards: BS 60335-1; BS 60335-2-2; BS 62233;  
BS 55014-1; BS 55014-2; BS 61000-3-2; BS 61000-3-3**

Wirral, 2021.12.03

  
Tom Chambers, Managing Director Einhell UK Ltd.

**Article Number:** 23.424.67 **I.-No.:** 21011  
**Subject to change without notice**

**Archive-File/Record:** NAPR026892  
**Documents registrar:** Luca Peer  
Wiesenweg 22, 94405 Landau/Isar, Germany



A series of horizontal lines for writing, starting from the top right of the page and extending downwards. The first two lines are partially obscured by the pencil illustration.



A series of horizontal lines for writing, starting from the top right and extending down to the bottom of the page.



A series of 20 horizontal lines for writing, starting from the line where the pencil is positioned and extending down the page.



A series of horizontal lines for writing, starting from the top right and extending down to the bottom of the page.



EH 01/2022 (01)

