

**RED**

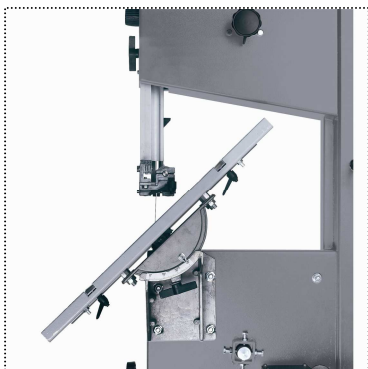
RT-SB 305 U

Bandsaw with Base Frame

The powerful RT-SB 305 U band saw offers many precision cutting options, e.g. longitudinal cuts, mitre cuts or freehand cuts. The band saw is ideal for cutting wood, plastics or similar materials. The pin guide ensures optimum guidance of the band saw blade. In addition, the RT-SB 305 U is equipped with an adapter for connection of a dust extractor.

With the standard undercarriage, the band saw can be used at ideal working height.

For mobile application the RT-SB 305 U is equipped with an undercarriage and handles for transport by a single person.



Features

- Mobile undercarriage serially
- Continuously tiltable saw table from 0° to 45°
- Continuously height-adjustable saw band guidance
- Adjustable parallel stop with eccentric clamp for precise cuts
- Practical push stick
- Integrated connection for dust exhaust
- Lens für number scale
- 2 saw band speeds

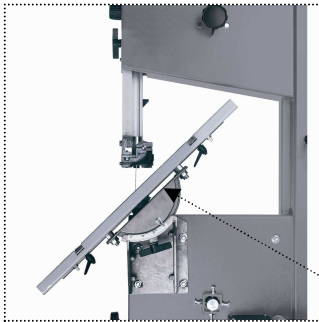
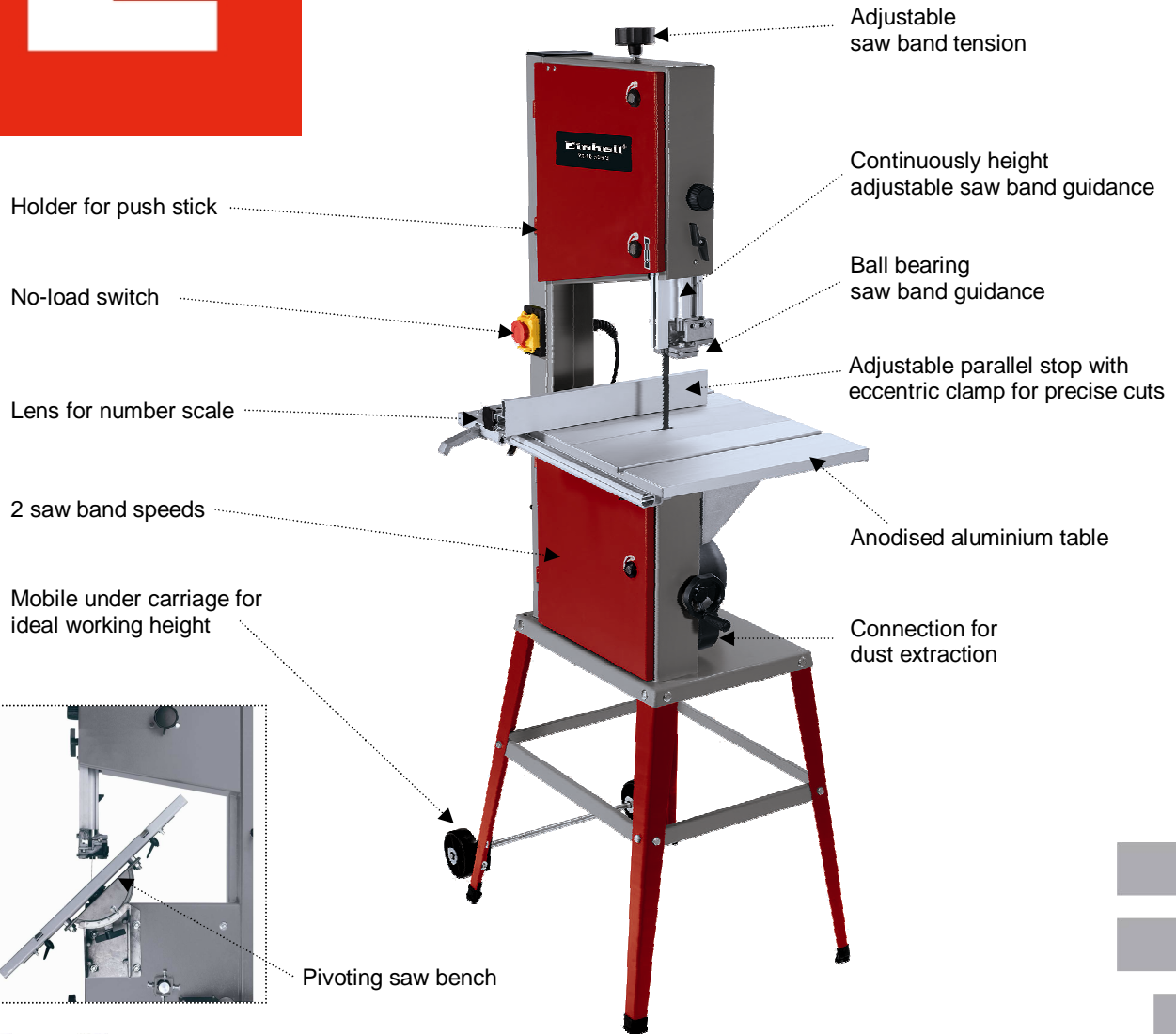




RED

RT-SB 305 U

Bandsaw with Base Frame



As special accessory available:
Saw band

Art.No.:
43.111.17

Logistic Information

Technical Data

Type:	RT-SB 305 U	■	Mains:	230 V ~ 50 Hz
Art.-No.:	43.080.51	■	Power:	740 W
Ident-No.:	01017	■	Speed:	1,400 rpm
Bar code:	4006825 540727	■	Saw blade speed:	370 / 800 m/min
Packaging:	1,130 x 380 x 500 mm	■	Saw blade length:	2,240 mm
Sales unit:	1 pc	■	Max. cutting height:	170 mm (at 90°)
20":	120 pcs	■	Throat depth:	305 mm
40":	256 pcs	■	Bench pivotable:	0° - 45°
40" HC:	276 pcs	■	Bench size:	520 x 400 mm
Net weight:	52.5 kgs			
Gross weight:	58.0 kgs			

Abbildungen können nicht im Serien-Lieferumfang enthaltenes Zubehör darstellen / Illustrations can contain accessories, which are not included in standard extent of delivery. Abbildungen ähnlich, produktionsbedingte Abweichung vorbehalten / Illustration similar (in design), production-wise modifications reserved.
 File: S:\shared-pool\Product-Dokumentation\T-Produktbeschreibung\30_n01\Originale_Englisch_PA04\4308051_01017.doc
 Erstelldatum/create date: 18.04.2008 10:14:00Aktualisiert/up dated: 29.03.2011

